



Installation and Operation Manual

Blackmagic Pocket Cinema Camera

Includes Blackmagic Pocket Cinema Camera 6K
and Blackmagic Pocket Cinema Camera 4K

November 2019

English, 日本語, Français, Deutsch, Español, 中文,
한국어, Русский, Italiano and Português.

Languages

To go directly to your preferred language, simply click on the hyperlinks listed in the contents below.

English	3
日本語	154
Français	296
Deutsch	438
Español	580
中文	722
한국어	864
Русский	1006
Italiano	1148
Português	1290
Developer Information	1433



Welcome

Thank you for purchasing your new Blackmagic Pocket Cinema Camera!

In 2013, we released the original Blackmagic Pocket Cinema Camera. We were excited by creating a small camera with high dynamic range and groundbreaking image quality that you could take anywhere. After all your amazing feedback and being asked to make a 4K version, we decided to do exactly that and introduced Blackmagic Pocket Cinema Camera 4K in 2018. Now we are happy to introduce Blackmagic Pocket Cinema Camera 6K!

Blackmagic Pocket Cinema Camera 6K features a Super 35mm sized sensor and an EF lens mount. Blackmagic Pocket Cinema Camera 4K has the same Micro Four Thirds lens mount as the original Pocket Cinema Camera so you can use all your existing MFT lenses. Blackmagic Pocket Cinema Camera 4K records 4K video up to 60 frames per second and HD video at 120 frames per second on CFast or UHS-II SD cards. Blackmagic Pocket Cinema Camera 6K expands on these capabilities so you can also record 2.8K video at 120 frames per second and 6K video up to 60 frames per second! The USB-C port lets you record on external drives so you can unplug the drive from your camera and plug straight into your computer for an instant file workflow.

With 13 stops of dynamic range and dual native ISO, you can record beautiful, clean cinematic images in varying light conditions. The built in 5 inch LCD touchscreen lets you easily check focus and see fine details, even in bright daylight, and four built in microphones give you high quality audio straight into the camera!

Your Blackmagic Pocket Cinema Camera is made from a carbon fiber reinforced composite so it's incredibly robust, very light, and easy to carry with you everywhere you go. Your camera can be powered via a standard LP-E6 battery, AC adaptor, or an external 12V DC source. We're also proud to include our Blackmagic RAW codec, offering the flexibility of RAW processing all in a single file, providing massive performance increases with reduced file sizes.

We are extremely excited to see the creative work you produce using your new Blackmagic Pocket Cinema Camera, and look forward to your feedback on new features you would like to see added to your camera!

A handwritten signature of Grant Petty in black ink. The signature is written in a cursive, flowing style.

Grant Petty

CEO Blackmagic Design

Contents

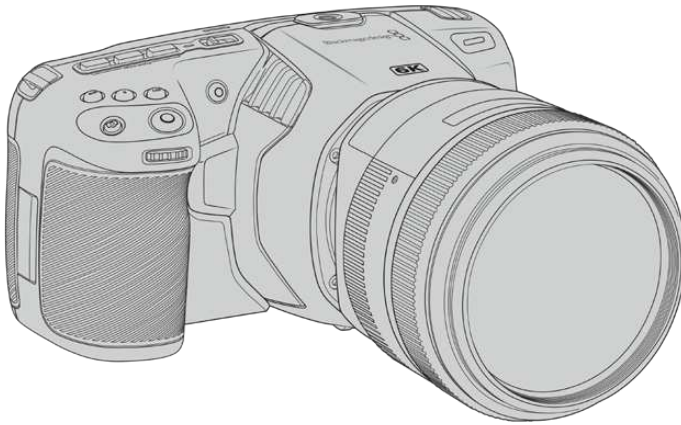
Blackmagic Pocket Cinema Camera

Which camera are you using?	5	Entering Metadata	87
Getting Started	6	Slate	87
Attaching a Lens	6	Camera Video Output	92
Turning Your Camera On	7	Using DaVinci Resolve	93
Using a Blackmagic Pocket Camera Battery Grip	7	Project Manager	93
Powering Your Camera with the Included Power Cable	9	Editing with the Cut Page	94
Storage Media	10	Adding Clips to the Timeline	97
CFast Cards	10	Editing Clips on the Timeline	98
SD Cards	11	Adding Titles	98
USB-C flash disks	13	Working with Blackmagic RAW Files	99
Preparing Media for Recording	15	Color Correcting your Clips with the Color Page	102
Preparing Media on Blackmagic Pocket Cinema Camera	15	Adding a Power Window	105
Preparing Media on a Mac	17	Using Plugins	107
Preparing Media on Windows	18	Mixing Your Audio	108
Recording	19	Adding VFX and Compositing on the Fusion Page	112
Recording Clips	19	Mastering Your Edit	121
Blackmagic RAW	20	Quick Export	121
Recording to Blackmagic RAW	21	The Deliver Page	122
Maximum Sensor Frame Rates	23	Working with Third Party Software	123
Record Duration	25	Working with Files from CFast 2.0 and SD cards	123
Playback	30	Working with Files from USB-C flash disks	123
Camera Features	31	Using Final Cut Pro X	124
Camera Front	31	Using Avid Media Composer 2018	124
Right Side	32	Using Adobe Premiere Pro CC	125
Left Side	32	Blackmagic Camera Setup Utility	126
Top Panel	34	Recommended Recording Media	127
Camera Underside	35	Developer Information	140
Camera Rear	36	Blackmagic Bluetooth Camera Control	140
Touchscreen Controls	37	Blackmagic SDI and Bluetooth Camera Control Protocol	142
Settings	58	Example Protocol Packets	149
Dashboard	58	Help	150
Record Settings	58	Regulatory Notices	151
File Naming Convention	63	Safety Information	152
Monitor Settings	64	Warranty	153
Audio Settings	70		
Setup Settings	73		
Presets	82		
3D LUTs	84		

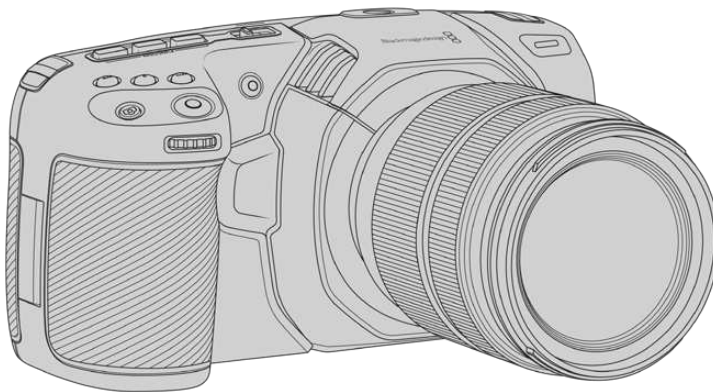
Which camera are you using?

Blackmagic Pocket Cinema Camera 6K and Blackmagic Pocket Cinema Camera 4K models have similar appearances. Both cameras produce incredible, wide dynamic range images and share the same chassis. The control buttons and software menus are laid out the same way, and operating the cameras is essentially the same.

Blackmagic Pocket Cinema Camera 6K features a Super 35mm sized sensor and an EF lens mount, and has a 6K icon above the lens mount. Blackmagic Pocket Cinema Camera 4K features a Micro Four Thirds sized sensor and a Micro Four Thirds lens mount.



Blackmagic Pocket Cinema Camera 6K



Blackmagic Pocket Cinema Camera 4K

Getting Started

Blackmagic Pocket Cinema Camera is a small portable digital cinema camera that records high quality images on CFast 2.0 and UHS-I and UHS-II SD cards or an SSD via the USB-C port. Your Pocket Cinema Camera is capable of recording clips using professional codecs designed for post production including Blackmagic RAW and ProRes.

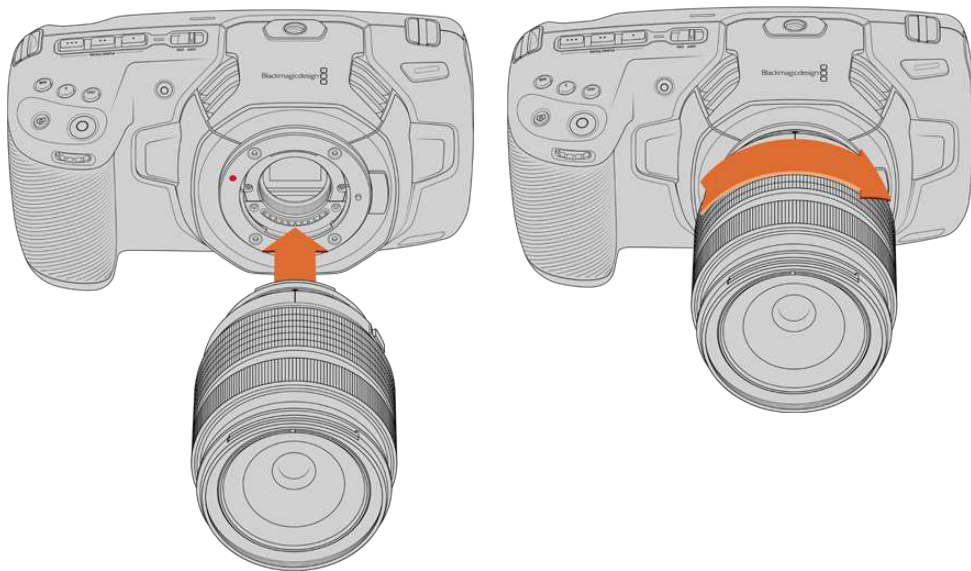
Getting started with your Blackmagic Pocket Cinema Camera is as simple as mounting a lens and powering your camera.

Attaching a Lens

Blackmagic Pocket Cinema Camera 6K uses EF lenses and Blackmagic Pocket Cinema Camera 4K uses Micro Four Thirds lenses. Both of these types of lenses are very popular and affordable, plus there is an enormous range to choose from. Attaching a lens to your camera is the same process for Blackmagic Pocket Cinema Camera 6K and Pocket Cinema Camera 4K. In both cases, the first step is to remove the protective dust cap. To remove the protective dust cap, hold down the locking button and rotate the cap counterclockwise until it is released.

To attach an EF mount or Micro Four Thirds lens:

- 1 Align the dot on your lens with the dot on the camera mount. Many lenses have a visual indicator, for example a blue, red or white dot.
- 2 Press the lens mount against the camera mount, and twist the lens clockwise until it clicks into place.
- 3 To remove the lens, hold down the locking button, rotate the lens counterclockwise until its dot indicator reaches the 10 o'clock position on an MFT lens, or 12 o'clock for an EF lens. Gently remove the lens from its mount.



Attaching an MFT lens on Blackmagic Pocket Cinema Camera 4K

NOTE When no lens is attached to the camera, the glass filter covering the sensor is exposed to dust and other debris so you'll want to keep the dust cap on whenever possible.

Turning Your Camera On

Now that you've attached a lens, you will need to supply power to your camera. Blackmagic Pocket Cinema Camera can be powered by inserting an LP-E6 battery into the camera, or from two NP-F570 batteries in Blackmagic Pocket Camera Battery Grip, or by plugging the supplied power adapter into the power input.

Inserting a Battery and Powering your Camera

Your camera uses standard removable LP-E6 type batteries. One is included with the camera, but if you need additional batteries, they can be purchased from your Blackmagic Design reseller or from most video or photography equipment stores.

- 1 On the underside of the camera, press the door release to open the battery door.
- 2 With the contacts facing the terminal, insert the LP-E6 type battery until you feel it click into place under the locking tab.

TIP To release the battery, push the locking tab towards the front of the camera and the battery will eject.

- 3 Close the door to the battery terminal and gently push until it clicks into place.
- 4 Move the power switch on the top of your camera to the 'on' position. To turn off the camera, move the power switch to the 'off' position.

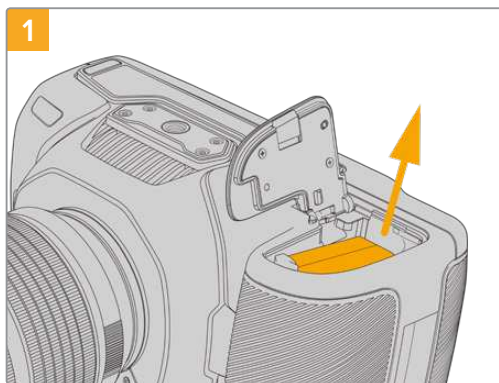
Using a Blackmagic Pocket Camera Battery Grip

If you have a Blackmagic Pocket Camera Battery Grip then it's a good idea to install it now before you continue. The Blackmagic Pocket Camera Battery Grip is designed to fit the Pocket Cinema Camera 6K and Pocket Cinema Camera 4K models.

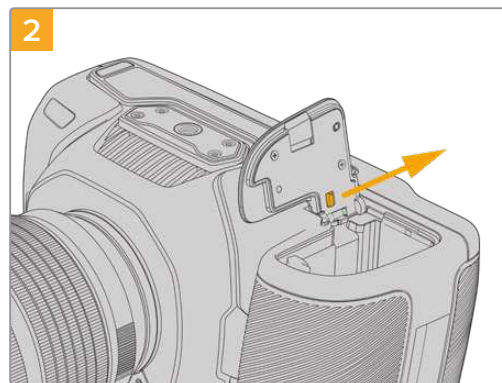
The battery grip adds a horizontal handle to your camera and holds two NP-F570 L-Series batteries so you can shoot continuously for over two hours. The 12 V DC input can recharge the batteries in the grip or provide uninterrupted power to the camera while changing the batteries. You can use the USB-C port to recharge batteries in the grip while the camera is switched off.

To attach Blackmagic Pocket Camera Battery Grip:

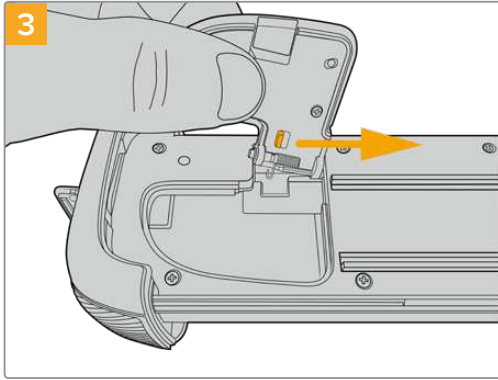
Before you start attaching Blackmagic Pocket Camera Battery Grip, switch off your Pocket Cinema Camera and unplug any external power source.



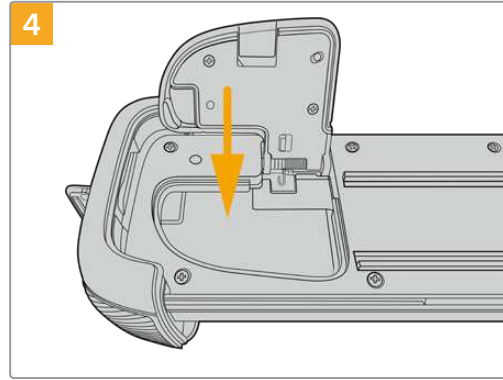
1 Open the camera battery compartment and remove the LP-E6 battery.



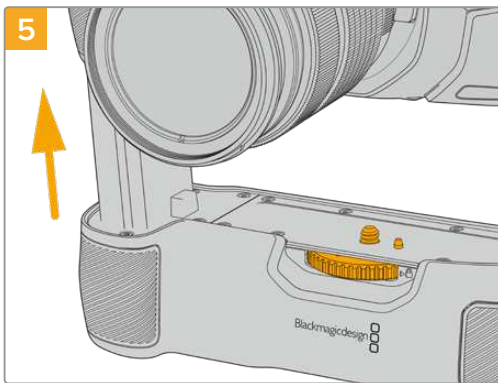
2 Slide the tab near the hinge of the battery compartment cover and remove the cover from the camera.



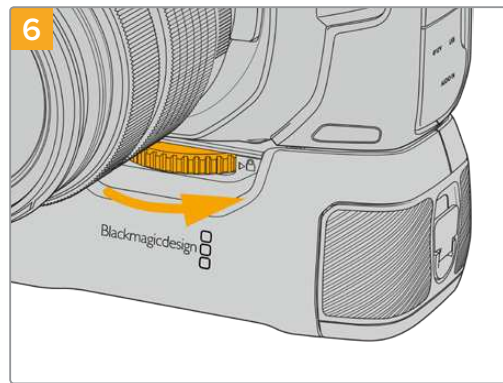
For safe storage of the battery compartment cover, clip it into the recess on the underside of the battery grip tray.



Close the battery compartment cover so it sits level with the underside of the battery grip tray.

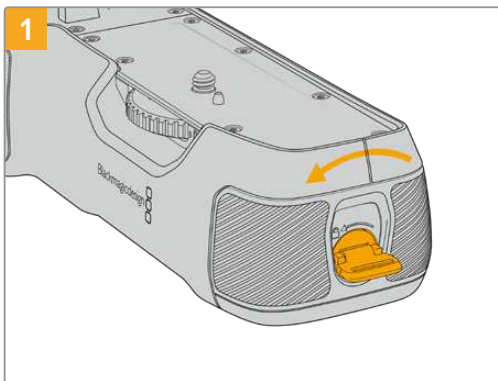


Insert the battery shaped part of the camera grip into the battery compartment of your camera. The 1/4 inch screw on top of the battery grip should line up with the 1/4-20 mounting point on the base of the camera. A small pin next to the 1/4 inch screw helps maintain correct alignment.

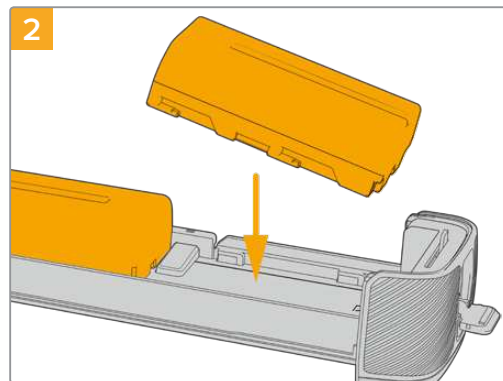


Turn the knob on the front of the battery grip to the right to tighten the screw firmly and secure the battery grip to the camera.

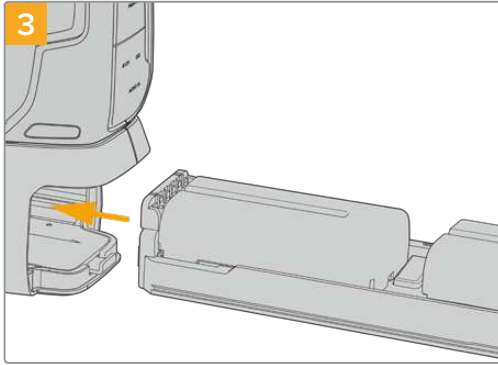
To insert batteries in Blackmagic Pocket Camera Battery Grip:



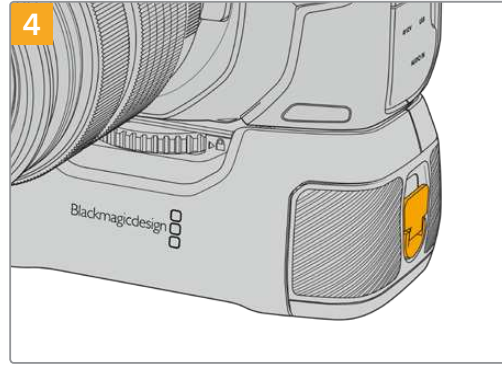
Twist the locking tab on the end of the battery grip anticlockwise to unlock the battery tray. Slide out the battery tray. You can do this before or after attaching Blackmagic Pocket Battery Grip to your camera.



Place two NP-F570 batteries into the battery tray, being careful of their orientation, and slide them away from each other. A tab between the batteries moves up to lock the batteries into place. When you want to remove the batteries, press down on this locking tab and slide the batteries toward each other.



Slide the battery tray into the battery grip and turn the locking tab clockwise. It's important to note that you can continue filming while changing batteries in the battery grip if your camera is powered by an external source plugged into the DC power input.



Twist the locking tab on the end of the battery grip clockwise to lock the battery tray.

TIP When you have Blackmagic Pocket Camera Battery Grip attached and two batteries inserted, the battery level indicator in the top right corner of the LCD touchscreen shows two battery icons so you can monitor their charge level independently. For more information, see the 'power' section.

Powering Your Camera with the Included Power Cable

The included 100-240 volt plug pack can be used to simultaneously power the camera and charge the LP-E6 battery or two NP-F570 batteries if you have Blackmagic Pocket Camera Battery Grip attached to your camera. The DC power connector locks to the camera so it cannot be accidentally disconnected.

To plug in external power:

- 1 Connect the AC to 12V DC adapter plug to your mains power socket.
- 2 Open the rubber protector on the left side of your camera and rotate the locking DC power connector so that it lines up with the recess on the top of the 12V DC power input. Gently push the connector into the input until it clicks.
- 3 To unplug the connector, pull the sheath away from the connector and remove the connector from the input.

If you have both external and battery power connected, only external power is used. If you remove external power while a charged battery is connected, your camera switches to battery power without interruption.

Your camera's LP-E6 battery can be charged via USB when the camera is switched off. This is convenient as you can use a portable power bank to charge the camera when not in use. Blackmagic Pocket Cinema Camera supports charging via standard 10W USB wall chargers and can also be used with chargers that support USB-Power Delivery, or USB PD. USB PD chargers typically have a USB-C connection and up to 20V output, so can provide a faster charge. Charging the LP-E6 battery via the 12V DC power input is supported when the camera is switched on or off.

TIP If charging a hot battery immediately after use, charging speed is reduced until the battery cools below 45 °C or 113 °F. We recommend letting the battery cool down for 15 minutes before charging.

You are now ready to insert the storage media and start recording!

Storage Media

Your Blackmagic Pocket Cinema Camera uses standard SD cards, faster UHS-II SD cards or CFast 2.0 cards to record video.

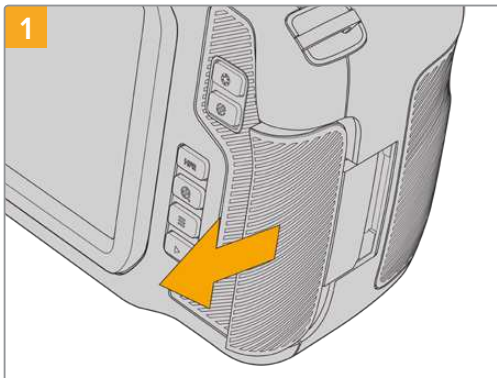
Using the USB-C expansion port, you can also connect high capacity USB-C flash disks for increased recording times.

CFast Cards

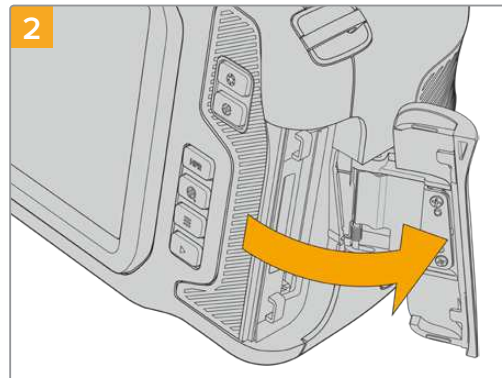
CFast 2.0 cards are capable of supporting very high data rates, so are perfect for recording 6K, 4K and HD video at high frame rates. Refer to the record duration tables in the 'recording' section for details on the maximum frame rates that can be recorded in each format.

NOTE CFast 2.0 cards are generally high speed cards, though some cards have slower write speeds compared to read speeds, and maximum data rates can differ between models. For reliable recording with your chosen frame rates, use only the cards recommended by Blackmagic Design.

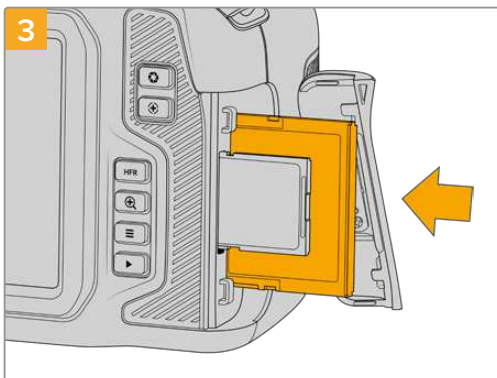
To insert a CFast card:



To access the media slots, slide the door on the right side toward the back of the camera.



The spring loaded door opens so you can access the CFast and SD memory card slots.

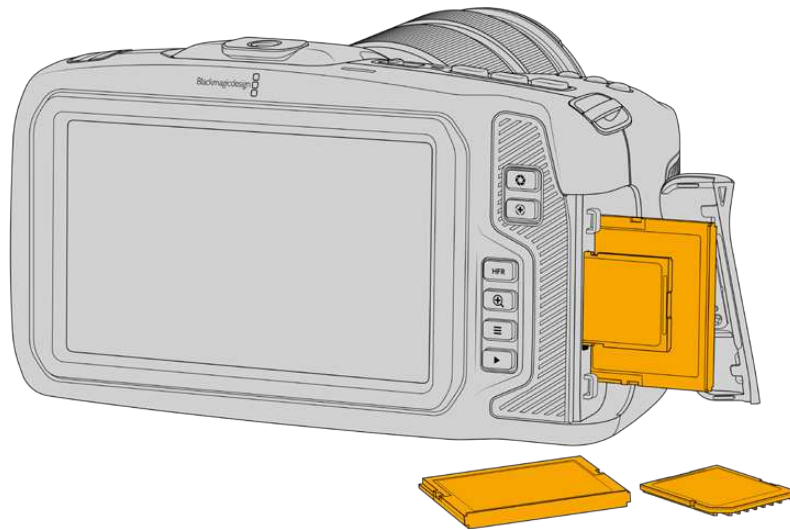


Insert the CFast card into the CFast card slot until you feel it lock into place. The card should insert easily without the need for excessive force. To remove a CFast card, gently push the CFast card in and then release to eject it.



The storage information at the bottom of the LCD touchscreen will show the name and record time remaining of the detected CFast card.

Inserting an SD card is like inserting a CFast card. For more information, see 'To insert an SD Card'.



Choosing a CFast 2.0 Card

When working with high data rate video it's important to carefully check the CFast card that you would like to use. This is because CFast 2.0 cards have different read and write speeds.

For a list of CFast 2.0 cards tested and recommended by Blackmagic Design for shooting on Pocket Cinema Camera, see the 'Recommended Recording Media' section.

For the most up to date information on supported CFast cards on Blackmagic Pocket Cinema Camera, please refer to the Blackmagic Design support center at www.blackmagicdesign.com/support.

SD Cards

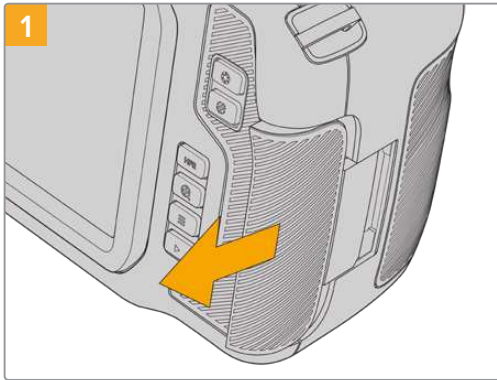
In addition to CFast 2.0 cards, your camera can record on high speed UHS-I and UHS-II type SD cards. UHS-I SD cards allow you to use more affordable storage media when shooting compressed video formats in HD, and even faster UHS-II cards allow you to record Blackmagic RAW as well as Ultra HD content in ProRes.

With SD cards, you can use more affordable storage media when shooting compressed video formats in HD.

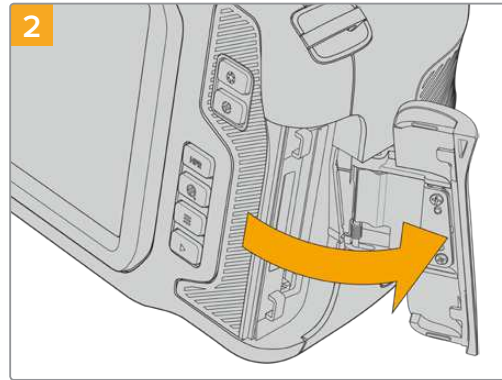
SDXC and SDHC are a very common media storage format for consumer still and video cameras. If you've ever shot video using a DSLR, or use a Blackmagic Micro Cinema Camera, Pocket Cinema Camera or Blackmagic Video Assist, you may already have compatible SD cards to use.

For projects that don't require the highest resolution files, or for when long recording durations are needed, using SD cards can be very economical. Lower capacity and lower speed SD cards can also be used for storing and loading LUTs and Presets.

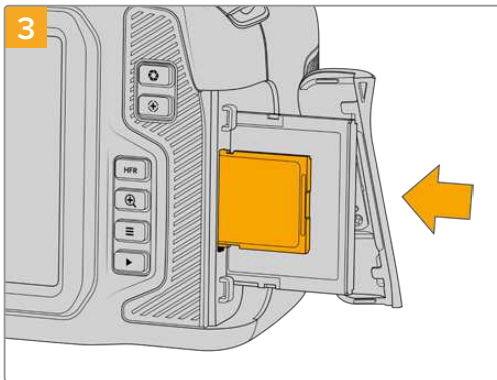
To insert an SD card



To access the media slots, slide the door on the right side toward the back of the camera.



The spring loaded door opens so you can access the media slots.



With the label on the SD card facing the touchscreen, insert the SD card into the SD card slot until you feel it lock into place. The card should insert easily without the need for excessive force.

To remove a the SD card, gently push the SD card in and then release to eject it.



The storage information at the bottom of the LCD touchscreen will show the name and record time remaining of the detected SD card.

Choosing an SD Card

If you are recording 6K, 4K DCI or Ultra HD, then we recommend using the fastest high speed UHS-II type SD cards available. It's important to use high speed UHS-II SD cards for 6K, 4K DCI, Ultra HD and HD recording, or UHS-I cards for HD recording. These cards are rated for fast data speeds and support larger storage sizes. Generally the faster the cards, the better.

Before using your cards, you need to format them to either HFS+ or exFAT formats. It's easy to format your media via your camera's 'storage' settings. Refer to the 'settings' section for more information on storage settings.

If you want to, you can format your cards using a Mac or Windows computer. When using your media on macOS, you can use HFS+ which is the Mac disk format, also known as OS X Extended. If you are using Windows then you should use exFAT format, which is the Windows disk format that Mac computers can also read.

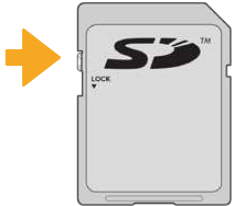
For a list of SD cards tested and recommended by Blackmagic Design for shooting on Pocket Cinema Camera, see the 'Recommended Recording Media' section.

For the most up to date information on supported SD cards on Blackmagic Pocket Cinema Camera, please refer to the Blackmagic Design support center at www.blackmagicdesign.com/support.

NOTE For high resolution, high frame rate recording, we recommend using CFast 2.0 media or an external USB-C flash disk, as they are typically faster and available in higher capacities.

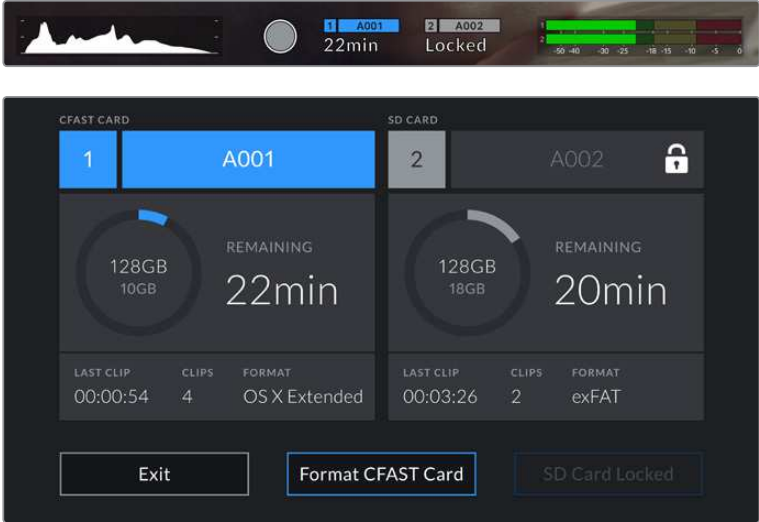
Locking and Unlocking SD Cards

SD cards can be write protected, or 'locked', to prevent data from being overwritten. When inserting an SD card, make sure the card is not write protected. To disable write protection, slide the plastic switch on the left side of the card to the position closest to the connectors. You can always set the card to the locked again after recording.



Move the lock tab up or down to lock or unlock an SD card

Your Blackmagic Pocket Cinema Camera lets you know if you've inserted a locked SD card by displaying the word 'locked' instead of the card's duration on the LCD touchscreen, and will display a padlock icon in the storage menu next to the card name. If the card is locked, you won't be able to record video, capture stills, or export LUTs and presets until it is unlocked.

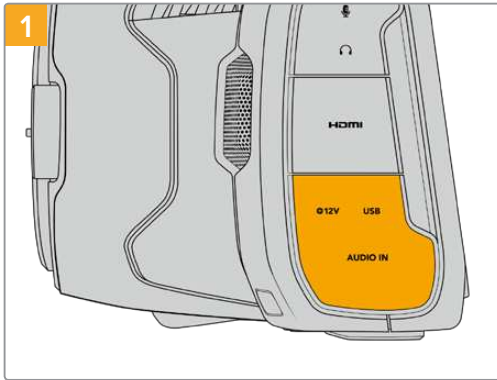


USB-C flash disks

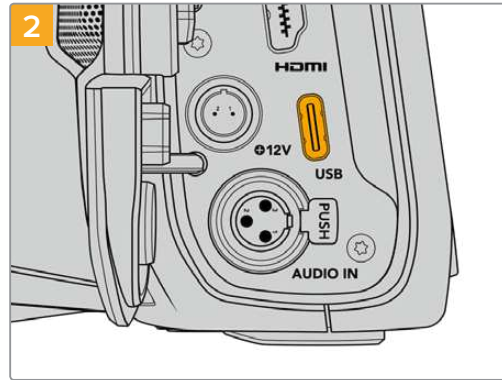
Your Blackmagic Pocket Cinema Camera features a high speed USB-C expansion port, which allows you to record video directly to USB-C flash disks. These fast, high capacity drives allow you to record video for long periods, which can be important when filming events with long durations.

Once you have finished recording you can connect the same drive directly to your computer for editing and post production, without having to copy media across.

To connect to a USB-C flash disk:



Open the rubber protector on the left side of the camera and connect the other end of the cable to the USB-C port.



Connect one end of a USB type-C cable to your USB-C flash disk.

NOTE When a USB-C flash disk is connected to your camera, it occupies the same place as the SD card in your camera's operating system. This means that when you have a compatible USB-C flash disk connected, your camera's SD card slot is unavailable.

To use the SD card slot instead of the USB-C flash disk, disconnect the USB-C flash disk from your camera.

Choosing a fast USB-C flash disk

USB-C flash disks are designed to offer fast, affordable storage for a wide range of devices and are readily available from a variety of consumer electronics outlets. It's important to note that film making is only one part of the USB-C flash disk market, so choosing the best drive is vital to making sure you have enough speed to record 6K and 4K footage.

Many USB-C flash disks are designed for home computing and aren't fast enough to record 6K and 4K video.

For a list of USB-C flash disks tested and recommended by Blackmagic Design for shooting on Pocket Cinema Camera, see the 'Recommended Recording Media' section.

For the most up to date list of recommended USB-C flash disks please go to www.blackmagicdesign.com/support.

Important Notes About USB-C flash disk Speed

Some models of USB-C flash disk can't save video data at the speed the manufacturer claims. This is due to the disk using hidden data compression to attain higher write speeds. This data compression can only save data at the manufacturer's claimed speed when storing data such as blank data or simple files. Video data includes video noise and pixels which are more random so compression will not help, therefore revealing the true speed of the disk.

Some USB-C flash disks can have as much as 50% less write speed than the manufacturer's claimed speed. So even though the disk specifications claim a USB-C flash disk has speeds fast enough to handle video, in reality the disk isn't fast enough for real time video capture.

Use Blackmagic Disk Speed Test to accurately measure whether your USB-C flash disk will be able to handle high data rate video capture and playback. Blackmagic Disk Speed Test uses data to simulate the storage of video so you get results similar to what you'll see when capturing video to a disk. During Blackmagic testing, we have found newer, larger models of USB-C flash disk and larger capacity USB-C flash disks are generally faster.

Blackmagic Disk Speed Test is available from the Mac app store. Windows and macOS versions are also included in Blackmagic Desktop Video, which you can download from the 'capture and playback' section of the Blackmagic Design support center at www.blackmagicdesign.com/support.

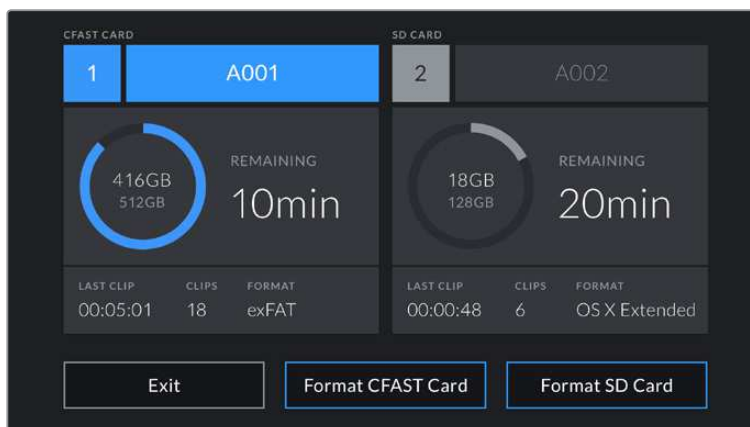
Preparing Media for Recording

You can format your CFast cards, SD cards or USB-C flash disks using the 'format card' feature on your camera's storage and formatting menu, or via a Mac or Windows computer. For best performance, we recommend formatting storage media using your camera.

HFS+ is also known as OS X Extended and is the recommended format as it supports 'journaling'. Data on journaled media is more likely to be recovered in the rare event that your storage media becomes corrupted. HFS+ is natively supported by macOS. exFAT is supported natively by macOS and Windows without needing any additional software, but does not support journaling.

Preparing Media on Blackmagic Pocket Cinema Camera

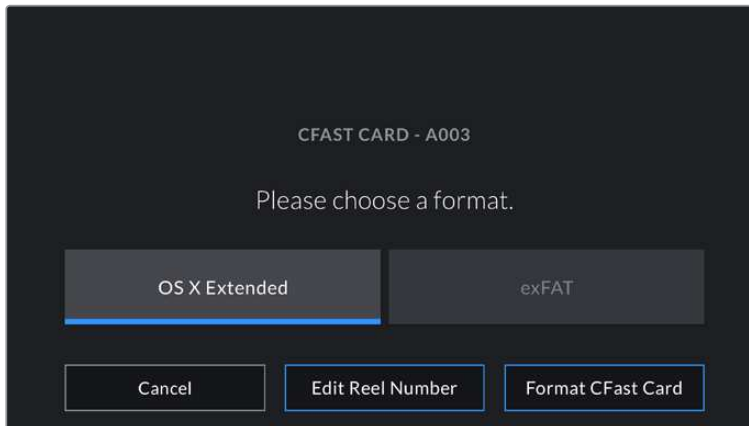
- 1 Tap either storage indicator at the bottom of the LCD touchscreen to enter the storage manager.
- 2 Tap 'Format CFast card' or 'Format SD card'. If you have a USB-C flash disk connected to your camera, 'Format drive' will be displayed instead of 'Format SD card'.



'Format SD card' is replaced with 'Format external drive' in your storage and formatting screen when you have a USB-C flash disk connected to your camera

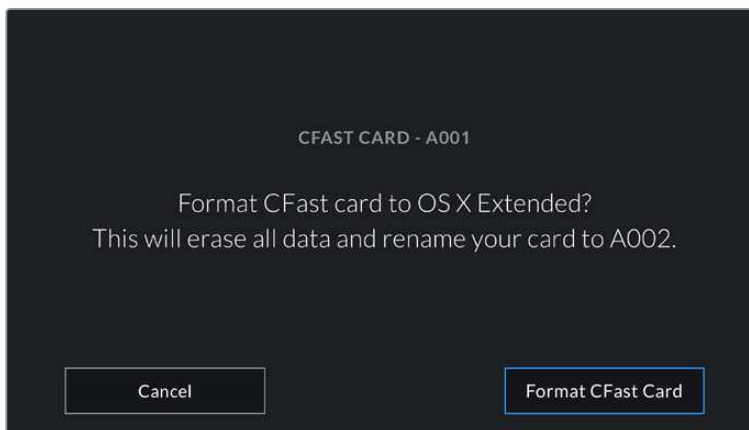
- 3 Tap 'edit reel number' if you would like to manually change the reel number. Use the keypad to enter a new reel number and press 'update' to confirm your selection.

- 4 Choose OS X Extended or exFAT format and tap the format button.



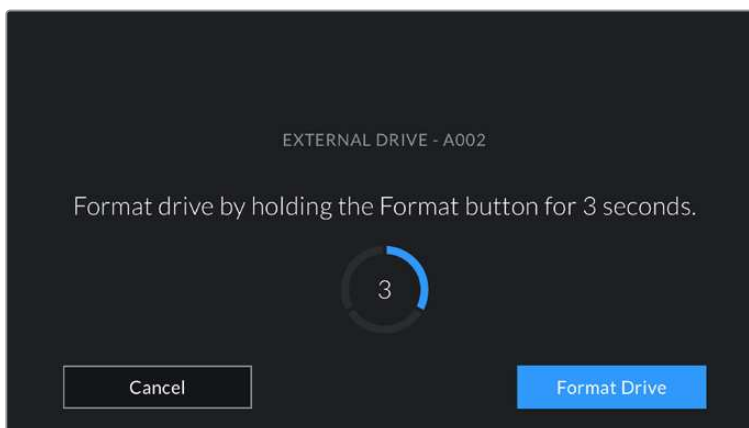
Tap 'edit reel number' to manually edit the reel number

- 5 A confirmation screen will allow you to confirm the card to be formatted, the selected format and the reel number. Confirm your selection by tapping the format button. Tap 'cancel' to cancel the format.



Check that you have selected the correct card before formatting

- 6 Hold down the format button for three seconds to format your media.



- 7 The camera notifies you when the format is complete and your drive is ready for use, or if formatting has failed.

- 8 Tap 'ok' to return to the storage manager.
- 9 Tap 'exit' to leave the storage manager.

When formatting CFast cards, SD cards or USB-C flash disks using your camera, the camera ID that is generated from the slate and reel number are used to name the media. Your camera automatically adjusts the reel numbers incrementally each time you format. If you need to manually enter a specific reel number, tap the 'edit reel number' and enter the number you want to format the card as.

Tap on 'reset project data' in the 'project' tab of the slate if you're starting a new project and want the numbering to reset back to 1.



The storage manager on your camera indicates whether you are currently managing CFast, SD or USB-C flash disk media

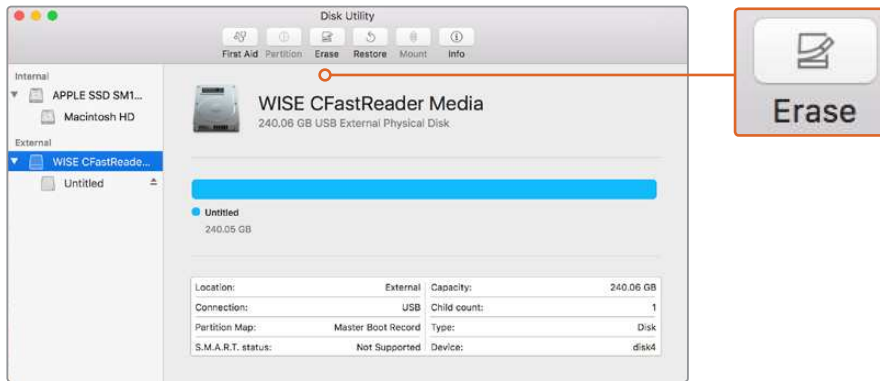
TIP If the SD card is write protected, your camera will display the word 'locked' instead of the card's duration on the LCD touchscreen, and will display a padlock icon in the storage menu. Unlock the card to format and record. For more information, refer to the 'SD cards' section of this manual.

NOTE If you have a USB-C flash disk connected, 'external drive' appears over storage slot 2.

Preparing Media on a Mac

Use the Disk Utility application included with macOS to format your CFast card, SD card, or USB-C flash disk in the HFS+ or exFAT formats. Remember to backup anything important from your media first as all data will be lost when it is formatted.

- 1 Connect the storage media to your computer and dismiss any message offering to use your media for Time Machine backups.
- 2 Go to applications/utilities and launch Disk Utility.
- 3 Click on the disk icon for your camera's storage media and then click the 'erase' tab.
- 4 Set the 'format' to 'Mac OS extended (journaled)' or 'exFAT'.
- 5 Type a 'name' for the new volume and then click 'erase'. Your camera's storage media will quickly be formatted and made ready for use.

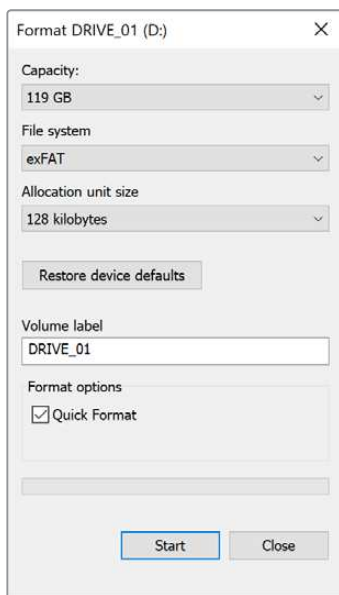


Use Disk Utility on macOS to erase your camera's storage media in the Mac OS extended (journaled) or exFAT format

Preparing Media on Windows

The 'format' dialog box can format your camera's storage media in the exFAT format on a Windows PC. Remember to backup anything important from your media first as all data will be lost when it is formatted.

- 1 Connect your camera's storage media to your computer using an external reader, USB-C cable or adapter.
- 2 Open the 'start' menu or 'start' screen and choose 'computer'. Right click on your camera's storage media.
- 3 From the contextual menu, choose 'format'.
- 4 Set the file system to 'exFAT' and the allocation unit size to 128 kilobytes.
- 5 Type a volume label, select 'quick format' and click 'start'.
- 6 Your storage media will quickly be formatted and made ready for use.



Use the 'format' dialog box feature in Windows to format your camera's storage media in the exFAT format

NOTE If your recordings are dropping frames, check that your card or drive is on our list of recommended media for the codec and frame size you are using. For lower data rates try lowering your frame rate, resolution, or try a compressed codec such as ProRes. Check the Blackmagic Design website for the latest information at www.blackmagicdesign.com

NOTE Partitioned media can be used with your Blackmagic Pocket Cinema Camera, though your camera will only recognize the first partition of your media for recording and playback.

It's worth noting that if you use the storage and formatting menu to format your media, the entire drive including all partitions will be erased, not just the first partition that has been used for recording and playback. For this reason we strongly recommend using media with one partition only.

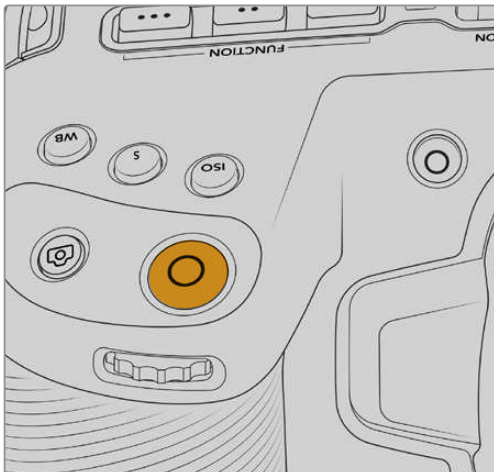
Recording

Recording Clips

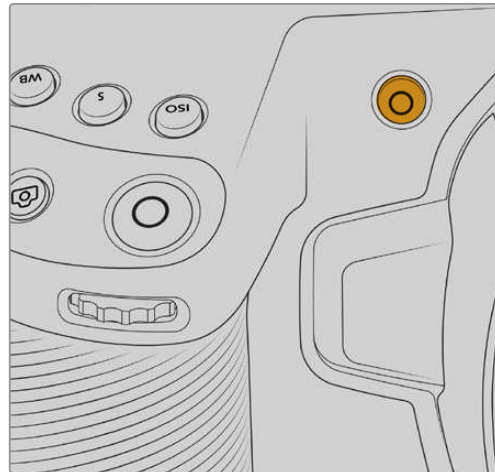
Blackmagic Pocket Cinema Camera features two record buttons. The primary record button is located on the top of the handgrip for triggering with your index finger when holding the handgrip of the camera with your right hand.

The second record button is located on the front of your camera to allow you to begin recording while holding the camera with one hand in situations where you want to record yourself. The button is located in an easy to reach position, ideal if you are recording yourself for video blogs.

Press one of the 'record' buttons on your camera to begin recording immediately. Press 'record' again to stop recording.



The 'record' button located on the top panel of your camera



The 'record' button located on the front of your camera

Before you start recording, tap and hold the name of the media at the bottom of the touchscreen to select the memory card or USB-C flash disk you want to use. The bar over the media type you have selected turns blue to indicate the camera is set to record to this media. To record to a different card or drive, tap and hold the name of the media. While recording, the bar is red.

Choosing the Recording Format

Blackmagic Pocket Cinema Camera records using Apple ProRes codecs including ProRes 422 HQ, ProRes 422, ProRes 422 LT and ProRes 422 Proxy. ProRes codecs let you fit more video on your SD card, CFast card or USB-C flash disk. ProRes 422 HQ provides the highest quality video with the lowest compression. Alternatively, ProRes 422 Proxy gives you far more recording time with greater compression. Your camera can also record with the Blackmagic RAW format. You may decide to experiment to see which format best suits your workflow.

It's important to note that Blackmagic Pocket Cinema Camera can use Blackmagic RAW for full sensor and windowed sensor formats, and must use ProRes for scaled formats.

For more information on windowed and scaled formats, see the 'maximum sensor frame rates' section.

Blackmagic RAW

Blackmagic Pocket Cinema Camera supports the Blackmagic RAW file format. This format offers superior image quality, wide dynamic range and a broad selection of compression ratios. Blackmagic RAW features all the user benefits of RAW recording, but the files are very fast because most of the processing is performed in the camera where it can be hardware accelerated by the camera itself. This means that Blackmagic RAW plays back at normal speed on most computers, without needing to cache it first or lower the resolution.

Blackmagic RAW also includes powerful metadata support so the software reading the files knows your camera settings. If you like shooting in video gamma because you need to turn around edits quickly and you don't have time for color correction, then this metadata feature means you can select video gamma, shoot in video gamma, and the file will display with video gamma applied when you open it in software. However underneath, the file is actually film gamma and the metadata in the file is what's telling the software to apply the video gamma.

So what all this means is if you want to color grade your images at some point, then you have all that film dynamic range preserved in the file. You don't have your images hard clipped in the whites or the blacks, so you retain detail and you can color grade to make all your images look cinematic. However, if you don't have time for color grading, that's fine because your images will have the video gamma applied and look like normal video camera images. You are not locked in on the shoot and you can change your mind later during post production.

Blackmagic RAW files are extremely fast and the codec is optimized for your computer's CPU and GPU. This means it has fast smooth playback and eliminates the need for hardware decoder boards, which is important for laptop use. Software that reads Blackmagic RAW also gets the advantage of processing via Apple Metal, Nvidia CUDA and OpenCL.

This means that Blackmagic RAW plays back at normal speed like a video file on most computers, without needing to cache it first or lower the resolution.

It's also worth mentioning that lens information is recorded in the metadata on a frame by frame basis. For example, when using compatible lenses, any zoom or focus changes performed over the length of a clip will be saved, frame by frame, to the metadata in the Blackmagic RAW file.

Recording to Blackmagic RAW

Blackmagic RAW works in 2 different ways. You have a choice to use either the constant bitrate codec, or the constant quality codec.

The constant bitrate codec works in a similar way to most codecs. It tries to keep the data rate at a consistent level and won't let the data rate go too high. This means even if you are shooting a complex image that might need a bit more data to store the image, a constant bitrate codec will just compress the image harder to make sure the images fit within the space allocated.

This can be fine for video codecs, however when shooting Blackmagic RAW you really want to ensure the quality is predictable. What would happen if the images you were shooting needed more data, but the codec just compresses harder to make a specified data rate? It's possible you could lose quality, but not be sure it's happening until you return from a shoot.

To solve this problem, Blackmagic RAW also has an alternative codec choice called constant quality. This codec is technically called a variable bitrate codec, but what it's really doing is allowing the size of the file to grow if your images need extra data. There is no upper limit on the file size if you need to encode an image but maintain quality.

So Blackmagic RAW set to the constant quality setting will just let the file grow as big as it needs to be to encode your images. It also means the files could be larger or smaller depending on what you are shooting. I guess if you leave your lens cap on the lens, you won't waste space on your media!

It is also worth noting that the quality settings for Blackmagic RAW are not obscure names, but are more meaningful as they are derived from what's happening technically. So for example when you have selected the constant bitrate codec, you will see quality settings of 3:1, 5:1, 8:1 and 12:1. These are the ratios of the uncompressed RAW file size vs the file sizes you should expect when shooting in Blackmagic RAW. 3:1 is better quality as the file is larger, while 12:1 is the smallest file size with the lowest quality. Many users of Blackmagic RAW find that 12:1 has been perfectly ok and they have not seen any quality limitations. However it's best to experiment and try various settings for yourself.

When using Blackmagic RAW in constant quality you will see the settings are Q0 and Q5. These are the compression parameters passed to the codec and they are setting how much compression is applied in a more technical way. This setting is different because the codec operates differently between constant bitrate vs constant quality. In this constant quality setting, you really cannot tell what the file size ratio will become as it varies a lot based on what you are shooting. So in this case the setting is different and the file will become the size needed to store your media.

Constant Bitrate Settings

The names for 3:1, 5:1, 8:1 and 12:1 represent the compression ratio. For example, 12:1 compression produces a file size roughly 12 times smaller than uncompressed RAW.

Constant Quality Settings

Q0 and Q5 refer to different levels of quantization. Q5 has a greater level of quantization but offers a greatly improved data rate. As mentioned above, the constant quality setting can result in files that grow and shrink quite a lot, depending on what you are shooting. This also means it's possible to shoot something and see the file size increase to beyond what your media card can keep up with. It could result in dropped frames. However the benefit is that you can instantly see if this happens on a shoot and then investigate your settings vs quality.

Blackmagic RAW Player

The Blackmagic RAW player included in your Blackmagic camera's software installer is a streamlined application for reviewing clips. Simply double click on a Blackmagic RAW file to open it, and you can quickly play and scroll through the file with its full resolution and bit depth.

When decoding frames, the CPU acceleration in the SDK library supports all main architectures, and also supports GPU acceleration via Apple Metal, Nvidia CUDA and OpenCL. It also works with the Blackmagic eGPU for extra performance. Blackmagic RAW player is available for Mac, Windows and Linux.

Sidecar Files

Blackmagic RAW sidecar files let you override metadata in a file without overwriting embedded metadata in the original file. This metadata includes the Blackmagic RAW settings as well as information on iris, focus, focal length, white balance, tint, color space, project name, take number and more. Metadata is encoded frame by frame over the duration of the clip, which is important for lens data if the lens is adjusted during a shot. You can add or edit metadata in sidecar files with DaVinci Resolve or even a text editor because it's a human readable format.

Sidecar files can be used to automatically add new Blackmagic RAW settings to a playback simply by moving the sidecar file into the same folder as the corresponding Blackmagic RAW file. If you move the sidecar file out of the folder and reopen the Blackmagic RAW file, the changed settings are not applied and you see the file as it was originally shot. Any software that uses the Blackmagic RAW SDK can access these settings. Changes made are saved in the sidecar file and can then be seen by Blackmagic RAW Player or any other software capable of reading Blackmagic RAW files.

When shooting video gamma, the file stays in film gamma, and the metadata tells the Blackmagic RAW processing to display using video gamma. Video gamma is great when you don't want to grade the image and want to deliver content quickly, however if you want to pull up the black parts of the image, or pull down the white areas, all the detail is retained. You never clip the video and all the detail is still there if you want to access it at any time.

Blackmagic RAW in DaVinci Resolve

Settings can be adjusted for each Blackmagic RAW file, and then saved as a new sidecar file from the 'Camera RAW' tab in DaVinci Resolve for creative effect or optimized viewing. This also means you can copy your media for another DaVinci Resolve artist and they will have access to your modified gamma settings automatically on import. In addition to the other metadata your camera files contain, DaVinci Resolve can read your selected dynamic range, so your clips will automatically display in DaVinci Resolve with 'film', 'extended video' or 'video' dynamic range.

You can then customize these settings by adjusting the saturation, contrast and midpoint, as well as the highlight and shadow rolloff. Any adjustments can then be saved as a sidecar file, so the changes can be seen by anyone else working with the files in post. You can always return to the original camera metadata at any time.

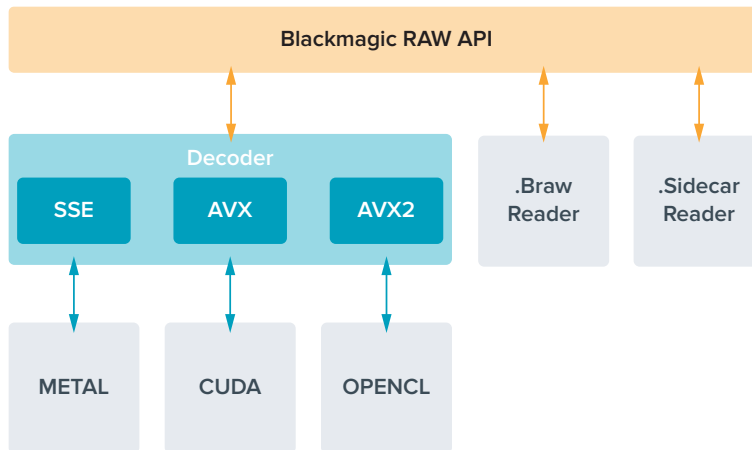
You can also export a single Blackmagic RAW frame from the 'Camera RAW' tab in DaVinci Resolve, which contains all adjustments, metadata, full resolution and color information so it is easy to share a single frame grab or reference file with others.

For more information on how to use Blackmagic RAW in DaVinci Resolve, see the 'Using DaVinci Resolve' chapter in this manual.

Blackmagic RAW Software Development Kit

The Blackmagic RAW Software Development Kit is an API developed by Blackmagic Design. You can use the Blackmagic RAW SDK to write your own applications to use the Blackmagic RAW format. This SDK library can be used by any developer to add support for reading, editing, and saving Blackmagic RAW files. The Blackmagic RAW SDK includes all the generation 4 color science so you can achieve organic cinematic images across any app that supports it. The Blackmagic RAW SDK supports Mac, Windows and Linux, and is available as a free download from the developer page of the Blackmagic website at www.blackmagicdesign.com/developer

The following diagram illustrates the components of the Blackmagic RAW API:



Maximum Sensor Frame Rates

Blackmagic Pocket Cinema Camera 6K Maximum Sensor Frame Rates

	Resolution	Codec	Sensor Scan	Max Frame Rate
6K	6144 x 3456	Blackmagic RAW	Full	50
6K 2.4:1	6144 x 2560	Blackmagic RAW	Window	60
5.7K 17:9	5744 x 3024	Blackmagic RAW	Window	60
4K DCI	4096 x 2160	ProRes 422 HQ	Scaled from 5.7K	60
	4096 x 2160	ProRes 422	Scaled from 5.7K	60
	4096 x 2160	ProRes 422 LT	Scaled from 5.7K	60
	4096 x 2160	ProRes 422 Proxy	Scaled from 5.7K	60
Ultra HD	3840 x 2160	ProRes 422 HQ	Scaled from full	50
	3840 x 2160	ProRes 422	Scaled from full	50
	3840 x 2160	ProRes 422 LT	Scaled from full	50
	3840 x 2160	ProRes 422 Proxy	Scaled from full	50
	3840 x 2160	ProRes 422 HQ	Scaled from 5.7K	60
	3840 x 2160	ProRes 422	Scaled from 5.7K	60
	3840 x 2160	ProRes 422 LT	Scaled from 5.7K	60
	3840 x 2160	ProRes 422 Proxy	Scaled from 5.7K	60
3.7K Anamorphic	3728 x 3104	Blackmagic RAW	Window	60
2.8K 17:9	2868 x 1512	Blackmagic RAW	Window	120

	Resolution	Codec	Sensor Scan	Max Frame Rate
HD	1920 x 1080	ProRes 422 HQ	Scaled from full	50
	1920 x 1080	ProRes 422	Scaled from full	50
	1920 x 1080	ProRes 422 LT	Scaled from full	50
	1920 x 1080	ProRes 422 Proxy	Scaled from full	50
	1920 x 1080	ProRes 422 HQ	Scaled from 5.7K	60
	1920 x 1080	ProRes 422	Scaled from 5.7K	60
	1920 x 1080	ProRes 422 LT	Scaled from 5.7K	60
	1920 x 1080	ProRes 422 Proxy	Scaled from 5.7K	60
	1920 x 1080	ProRes 422 HQ	Scaled from 2.7K	120
	1920 x 1080	ProRes 422	Scaled from 2.7K	120
	1920 x 1080	ProRes 422 LT	Scaled from 2.7K	120
	1920 x 1080	ProRes 422 Proxy	Scaled from 2.7K	120

Blackmagic Pocket Cinema Camera 4K Maximum Sensor Frame Rates

	Resolution	Codec	Sensor Scan	Max Frame Rate
4K DCI	4096 x 2160	Blackmagic RAW	Full	60
	4096 x 2160	ProRes 422 HQ	Full	60
	4096 x 2160	ProRes 422	Full	60
	4096 x 2160	ProRes 422 LT	Full	60
	4096 x 2160	ProRes 422 Proxy	Full	60
4K 2.4:1	4096 x 1712	Blackmagic RAW	Window	75
Ultra HD	3840 x 2160	Blackmagic RAW	Window	60
	3840 x 2160	ProRes 422 HQ	Window	60
	3840 x 2160	ProRes 422	Window	60
	3840 x 2160	ProRes 422 LT	Window	60
	3840 x 2160	ProRes 422 Proxy	Window	60
2.8K Anamorphic	2880 x 2160	Blackmagic RAW	Window	80
2.6K 16:9	2688 x 1512	Blackmagic RAW	Window	120
HD	1920 x 1080	ProRes 422 HQ	Scaled from full	60
	1920 x 1080	ProRes 422	Scaled from full	60
	1920 x 1080	ProRes 422 LT	Scaled from full	60
	1920 x 1080	ProRes 422 Proxy	Scaled from full	60
	1920 x 1080	ProRes 422 HQ	Scaled from 2.6K	120
	1920 x 1080	ProRes 422	Scaled from 2.6K	120
	1920 x 1080	ProRes 422 LT	Scaled from 2.6K	120
	1920 x 1080	ProRes 422 Proxy	Scaled from 2.6K	120
	1920 x 1080	Blackmagic RAW	Window	120
	1920 x 1080	ProRes 422 HQ	Window	120
	1920 x 1080	ProRes 422	Window	120
	1920 x 1080	ProRes 422 LT	Window	120
	1920 x 1080	ProRes 422 Proxy	Window	120

NOTE The 2.6K 16:9 shooting format has a sensor area optimized for use with Super 16mm lenses and high frame rates.

Record Duration

These tables show approximate record duration in minutes and seconds based on format, project frame rate and media size. It's important to note that available resolutions and codecs differ for Pocket Cinema Camera 6K and Pocket Cinema Camera 4K.

The maximum recording time for your storage media can vary depending on the data capacity your CFast card, SD card or USB-C flash disk, and the recording format and frame rate you choose. For example, the storage rate for Apple ProRes 422 HQ at 3840 x 2160 is approximately 880 Mbps. At 24 frames per second, you can record approximately 47 minutes of video on a 256GB CFast 2.0 card. At the same settings you can record approximately 23 minutes of video on a 128GB CFast card, which is approximately half the record duration of a 256GB CFast card.

It should be noted that recording duration of media can vary slightly between different manufacturers. It can also vary depending on whether the storage media is formatted as exFAT or Mac OS X Extended.

Simple scenes containing less detail tend to require less data than more dense compositions. The values in these tables assume shots with a high complexity, which means you may get slightly longer record times depending on the nature of your shoot.

6K					
CFast Card	Frame Rate	Blackmagic RAW 3:1	Blackmagic RAW 5:1	Blackmagic RAW 8:1	Blackmagic RAW 12:1
256GB		Duration	Duration	Duration	Duration
	23.98	17 mins	28 mins	45 mins	67 mins
	24	17 mins	28 mins	45 mins	67 mins
	25	16 mins	27 mins	43 mins	64 mins
	30	13 mins	22 mins	36 mins	54 mins
	50	8 mins	13 mins	21 mins	32 mins

6K 2.4:1					
CFast Card	Frame Rate	Blackmagic RAW 3:1	Blackmagic RAW 5:1	Blackmagic RAW 8:1	Blackmagic RAW 12:1
256GB		Duration	Duration	Duration	Duration
	23.98	23 mins	38 mins	60 mins	91 mins
	24	22 mins	38 mins	60 mins	91 mins
	25	21 mins	36 mins	58 mins	87 mins
	30	18 mins	30 mins	48 mins	72 mins
	50	11 mins	18 mins	29 mins	43 mins
	60	9 mins	15 mins	24 mins	36 mins

5.7K 17:9					
CFast Card	Frame Rate	Blackmagic RAW 3:1	Blackmagic RAW 5:1	Blackmagic RAW 8:1	Blackmagic RAW 12:1
256GB		Duration	Duration	Duration	Duration
	23.98	20 mins	34 mins	55 mins	82 mins
	24	20 mins	34 mins	55 mins	82 mins
	25	19 mins	33 mins	52 mins	79 mins
	30	16 mins	27 mins	44 mins	66 mins
	50	10 mins	16 mins	26 mins	39 mins
	60	8 mins	13 mins	22 mins	33 mins

4K DCI									
CFast Card	Frame Rate	Blackmagic RAW 3:1	Blackmagic RAW 5:1	Blackmagic RAW 8:1	Blackmagic RAW 12:1	ProRes 422 HQ	ProRes 422	ProRes 422 LT	ProRes 422 Proxy
256GB		Duration	Duration	Duration	Duration	Duration	Duration	Duration	Duration
	23.98	39 mins	65 mins	104 mins	155 mins	44 mins	66 mins	95 mins	216 mins
	24	39 mins	65 mins	103 mins	155 mins	44 mins	66 mins	95 mins	216 mins
	25	37 mins	62 mins	99 mins	149 mins	42 mins	64 mins	91 mins	207 mins
	30	31 mins	52 mins	83 mins	124 mins	35 mins	53 mins	76 mins	173 mins
	50	18 mins	31 mins	49 mins	74 mins	21 mins	32 mins	45 mins	104 mins
	60	15 mins	26 mins	41 mins	62 mins	17 mins	26 mins	38 mins	87 mins

4K 2.4:1					
CFast Card	Frame Rate	Blackmagic RAW 3:1	Blackmagic RAW 5:1	Blackmagic RAW 8:1	Blackmagic RAW 12:1
256GB		Duration	Duration	Duration	Duration
	23.98	50 mins	84 mins	134 mins	201 mins
	24	50 mins	84 mins	134 mins	201 mins
	25	48 mins	81 mins	129 mins	193 mins
	30	40 mins	67 mins	108 mins	161 mins
	50	24 mins	40 mins	65 mins	97 mins
	60	20 mins	33 mins	54 mins	81 mins
	75	16 mins	27 mins	43 mins	65 mins
	80	17 mins	28 mins	45 mins	68 mins

ULTRA HD									
CFast Card	Frame Rate	Blackmagic RAW 3:1	Blackmagic RAW 5:1	Blackmagic RAW 8:1	Blackmagic RAW 12:1	ProRes 422 HQ	ProRes 422	ProRes 422 LT	ProRes 422 Proxy
256GB		Duration	Duration	Duration	Duration	Duration	Duration	Duration	Duration
	23.98	41 mins	68 mins	110 mins	164 mins	47 mins	71 mins	101 mins	230 mins
	24	41 mins	68 mins	109 mins	164 mins	47 mins	71 mins	101 mins	230 mins
	25	39 mins	66 mins	105 mins	157 mins	45 mins	68 mins	97 mins	221 mins
	30	33 mins	55 mins	88 mins	131 mins	38 mins	57 mins	81 mins	184 mins
	50	19 mins	33 mins	52 mins	79 mins	22 mins	34 mins	48 mins	111 mins
	60	16 mins	27 mins	44 mins	66 mins	18 mins	28 mins	40 mins	92 mins

3.7K Anamorphic					
CFast Card	Frame Rate	Blackmagic RAW 3:1	Blackmagic RAW 5:1	Blackmagic RAW 8:1	Blackmagic RAW 12:1
256GB		Duration	Duration	Duration	Duration
	23.98	31 mins	51 mins	82 mins	123 mins
	24	31 mins	51 mins	82 mins	123 mins
	25	29 mins	49 mins	79 mins	118 mins
	30	24 mins	41 mins	65 mins	98 mins
	50	15 mins	24 mins	39 mins	59 mins
	60	12 mins	20 mins	33 mins	49 mins

2.8K Anamorphic					
CFast Card	Frame Rate	Blackmagic RAW 3:1	Blackmagic RAW 5:1	Blackmagic RAW 8:1	Blackmagic RAW 12:1
256GB		Duration	Duration	Duration	Duration
	23.98	57 mins	95 mins	151 mins	226 mins
	24	57 mins	95 mins	151 mins	226 mins
	25	54 mins	91 mins	145 mins	217 mins
	30	45 mins	76 mins	121 mins	181 mins
	50	27 mins	45 mins	73 mins	109 mins
	60	22 mins	38 mins	61 mins	91 mins
	80	17 mins	28 mins	45 mins	68 mins

2.8K 17:9					
CFast Card	Frame Rate	Blackmagic RAW 3:1	Blackmagic RAW 5:1	Blackmagic RAW 8:1	Blackmagic RAW 12:1
256GB		Duration	Duration	Duration	Duration
	23.98	81 mins	136 mins	216 mins	321 mins
	24	81 mins	135 mins	215 mins	320 mins
	25	78 mins	130 mins	207 mins	308 mins
	30	65 mins	108 mins	173 mins	258 mins
	50	39 mins	65 mins	104 mins	156 mins
	60	32 mins	54 mins	87 mins	130 mins
	120	16 mins	27 mins	43 mins	65 mins

2.6K 16:9					
CFast Card	Frame Rate	Blackmagic RAW 3:1	Blackmagic RAW 5:1	Blackmagic RAW 8:1	Blackmagic RAW 12:1
256GB		Duration	Duration	Duration	Duration
	23.98	87 mins	144 mins	230 mins	342 mins
	24	87 mins	144 mins	229 mins	342 mins
	25	83 mins	138 mins	220 mins	328 mins
	30	69 mins	115 mins	184 mins	275 mins
	50	41 mins	69 mins	111 mins	166 mins
	60	34 mins	58 mins	92 mins	138 mins
	120	17 mins	29 mins	46 mins	69 mins

HD									
CFast Card	Frame Rate	Blackmagic RAW 3:1	Blackmagic RAW 5:1	Blackmagic RAW 8:1	Blackmagic RAW 12:1	ProRes 422 HQ	ProRes 422	ProRes 422 LT	ProRes 422 Proxy
256GB		Duration	Duration	Duration	Duration	Duration	Duration	Duration	Duration
	23.98	159 mins	264 mins	418 mins	619 mins	189 mins	283 mins	403 mins	877 mins
	24	159 mins	264 mins	418 mins	618 mins	189 mins	283 mins	403 mins	877 mins
	25	153 mins	253 mins	402 mins	595 mins	182 mins	271 mins	387 mins	843 mins
	30	127 mins	212 mins	336 mins	499 mins	152 mins	227 mins	324 mins	710 mins
	50	76 mins	127 mins	203 mins	303 mins	91 mins	137 mins	196 mins	434 mins
	60	64 mins	106 mins	170 mins	254 mins	76 mins	114 mins	163 mins	363 mins
	120	32 mins	54 mins	87 mins	130 mins	38 mins	57 mins	82 mins	185 mins

NOTE It's important to note that Blackmagic RAW is available for shooting formats that use a full or windowed sensor scan. For all scaled formats, select a ProRes codec.

6K, 6K 2.4:1, 5.7K 17:9, 3.7K Anamorphic and 2.8K 17:9 formats are available on Pocket Cinema Camera 6K only and use the Blackmagic RAW codec. Pocket Cinema Camera 6K uses ProRes for 4K DCI, Ultra HD and HD formats.

4K 2.4:1, 2.8K Anamorphic and 2.6K 16:9 formats are available on Pocket Cinema Camera 4K only and use the Blackmagic RAW codec. Pocket Cinema Camera 4K uses Blackmagic RAW or ProRes for 4K DCI, Ultra HD and HD formats.

Constant quality settings for Q0 and Q5 will display varying record time remaining durations. The estimated duration for Q0 is similar to constant bitrate 3:1, and Q5 will display a similar duration to 12:1, however, as the estimated duration updates every 10 seconds while recording, the best way to gauge how much recording time you have is to record for 20 seconds and monitor the duration in the media area of the touchscreen display.

Choosing Frame Rates

Your camera is able to shoot video using many different frame rates and you may be wondering which is the best one to use.

Generally, when selecting a sensor frame rate, there are some common items to consider. For many years, there have been presentation standards for film and television. These have set frame rates that differ between countries, but all share the same purpose; to display an efficient number of frames every second that portrays pleasing and convincing motion.

Cinema, for example, uses a standard 24 frames per second and while there have been recent experiments with faster frame rates, 24 frames per second remains widely accepted for international audiences.

Television frame rates have generally conformed to technical broadcast standards for each country. For example, if you were making television content you would typically record using 29.97 frames per second for North American distribution, and 25 frames per second for Europe.

However, as technology has improved, today we have more choices and broadcast standards are changing. It is now common for sporting events to be recorded and broadcasted at higher frame rates. For example, some sporting events are recorded and broadcasted at up to 59.94 frames per second in North America, and 50 frames per second in Europe. This provides smoother motion on fast action and appears more lifelike.

Alternatively, streaming and online broadcasters normally use frame rates similar to television, however there is more freedom to experiment due to user selectable viewing formats, and being limited only to what the audience's screens are capable of displaying.

Generally, when choosing a frame rate for a project, let your delivery format guide your choice. Your camera's project frame rate should be set to this, and your sensor frame should be set to 'match'. This means your clips will play back at the same speed the event happened in real life.

If you are looking to create an interesting effect, for example slow motion, then you can set the sensor frame rate to a higher setting. The higher the sensor frame rate compared to the project frame rate, the slower the playback speed.

For more information on using off speed sensor frame rates to achieve creative effects, refer to the 'touchscreen controls' section.

Trigger Record

Blackmagic Pocket Cinema Camera automatically sends a signal via the HDMI output that will trigger recording when connected to equipment that supports the trigger record feature, such as Blackmagic Video Assist.

This means that when you press record on your camera, your external recorder also starts recording and stops when you stop recording on the camera. Your camera also outputs timecode via HDMI, which means the clips recorded on your external recorder has the same timecode as the clips recorded in your camera.

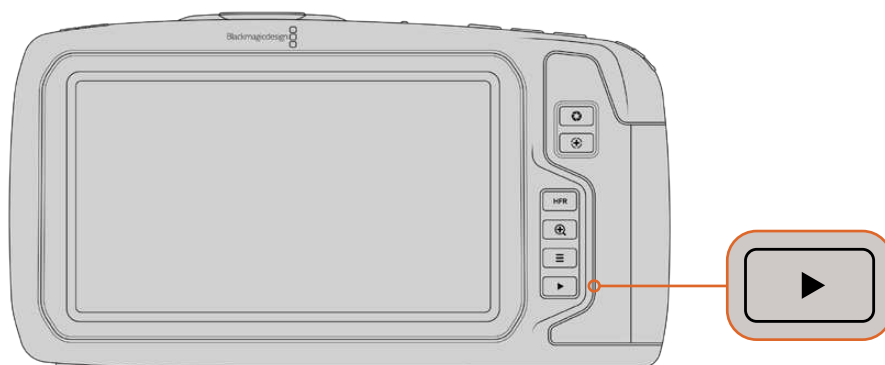
If your external recorder supports trigger recording, you will need to enable it. This can usually be enabled via its settings menu.

Playback

Playing Back Clips

Once you have recorded your video, you can use the transport control buttons to play back your video on the LCD. Press the play button to switch to playback mode. Press the button again for instant playback of the last recorded clip on the LCD, and on any display connected to the HDMI output. Hold down the forward or reverse buttons on the LCD to fast forward or reverse through the clip. Playback will finish when the end of the current clip is reached.

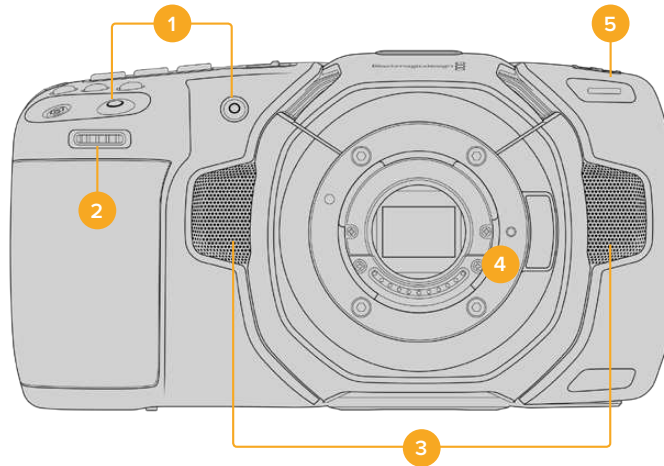
Press the forward and reverse buttons to skip to the start or end of clips. Press the reverse button once to go to the start of the current clip or press twice to skip back to the start of the previous clip. Press the record button to exit playback and return the touchscreen to the camera view.



To view your most recently recorded clip on the built in touchscreen, press the 'play' button on the transport controls

Camera Features

Camera Front



1 Record Buttons

Press either of the record buttons to start and stop recording. A record button is located on the front of the camera to let you start and stop recording more easily if you are recording yourself.

2 Settings Wheel

The settings wheel lets you adjust the aperture of compatible lenses mounted to your camera. With the touchscreen facing you, rotate the wheel left to open the iris, and right to close. The settings wheel is also used to adjust white balance, shutter angle and ISO settings. Press the corresponding buttons on the top of the camera, then make your selection by rotating the settings wheel. After making your selection, press the settings wheel to quickly dismiss the selection menu.

3 Stereo Microphones

There are four built in, high quality stereo microphones. Refer to the 'audio settings' section for information on microphone audio settings.

4 Lens Mount

Blackmagic Pocket Cinema Camera 6K has an active EF lens mount and the 4K model has an active Micro Four Thirds lens mount. This means that you can use lenses with built-in stabilization on both cameras, as well as use auto focus and auto exposure with compatible lenses. To use the image stabilizer or 'IS' feature found in many active lenses, set the stabilizer switch to 'on' to enable image stabilization on your camera. If your lens also features a stabilizer mode switch, set it to the appropriate mode for still shots or for movement. If your lens does not have a physical stabilizer switch, you can turn 'image stabilization' on or off in your camera's setup menu.

5 Tally / Record Indicator

Your camera has a small LED on the front of the camera that illuminates red to indicate that the camera is recording. You can enable or disable the tally light indicator, and adjust its brightness in the setup menu. See the 'setup settings' section for more information.

Right Side



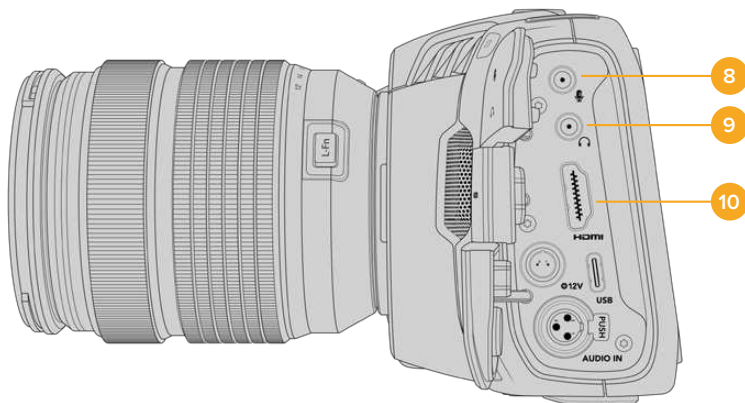
6 CFast Card Slot

Insert CFast 2.0 cards into the slot for record and playback. Refer to the 'CFast Cards' section for more information.

7 SD Card Slot

Insert SD cards into the slot for record and playback. Refer to the 'SD Cards' section for more information.

Left Side



8 3.5mm Microphone Input

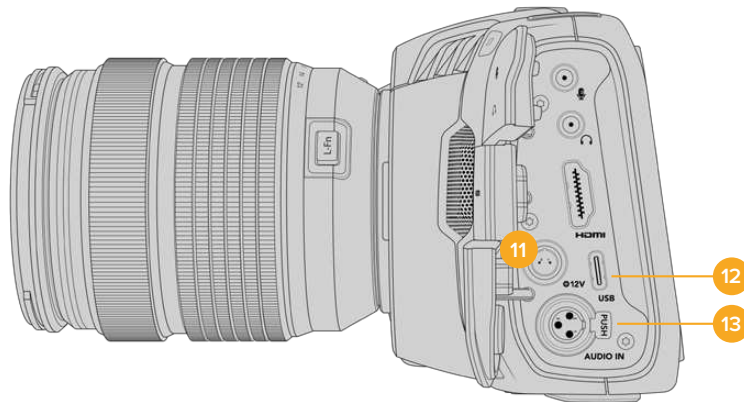
Connect a microphone to your camera's 3.5mm stereo connector. Mic and line level audio are supported. The microphone level audio is lower than the line level, so if you are connecting a microphone to the camera and have line level selected, you will find the levels are too low. The microphone input also accepts SMPTE compliant LTC timecode from an external source on the left channel. Valid timecode will be detected automatically, and embedded in your video file as timecode metadata. We recommend sending LTC timecode via a line level output, especially if you are not recording timecode as an audio track.

9 Headphones Input

Monitor audio while recording or playing back clips by plugging your headphones into the 3.5mm stereo headphones jack. When headphones are plugged in, the speaker output is muted.

10 HDMI Out

The full size HDMI connector supports 10-bit 4:2:2 1080p HD video with support for HDR and two channels of embedded audio. Use the touchscreen menu to set a clean feed or include overlays on the output.



11 Power Input

You can use the DC jack to power your camera and trickle charge the battery at the same time. To connect the power adapter, rotate the plug so it aligns with the recess at the top of the jack, then push in the plug until it locks. To disconnect the power plug, retract the locking sheath, then pull out the plug.

Custom Power Solutions

Some customers have been creating custom made power devices as a means to power their Blackmagic Pocket Cinema Camera. If you are creating your own power solution with a dummy battery, caution needs to be taken to make sure you are not supplying too much voltage to your camera, as this can cause permanent damage. The voltage requirements of the Pocket Cinema Camera are as follows:

- The battery input connection is rated from 6.2V to 10V max.
- The DC input is rated from 10.8V to 20V max.
- The camera requires 16W when in standby and is not charging the battery.
- The camera requires 30W when charging the LP-E6 type battery.
- When powering your camera with a custom made power source, we recommend removing the LP-E6 type battery.
- When recording to external media with an active lens, full screen brightness, full tally brightness, high frame rates and not charging the battery, Pocket Cinema Camera 6K requires 25W and Pocket Cinema Camera 4K requires 22W.

12 USB

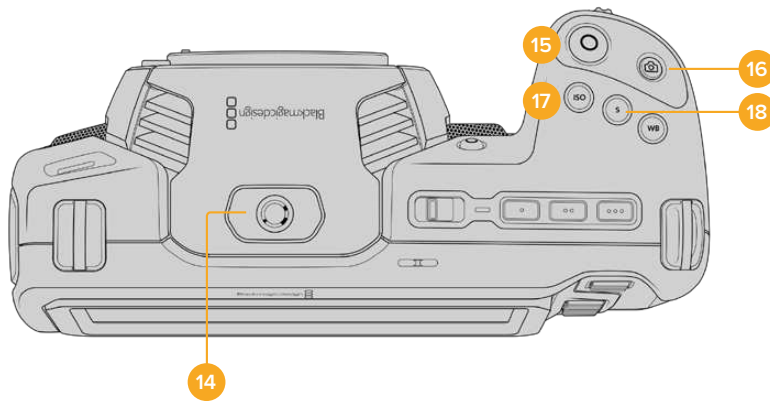
The USB-C port lets you record directly to an attached USB-C flash disk. When your camera is switched off, you can recharge its battery via the USB-C port from an external source such as a battery pack. To update your camera's internal software, connect the camera to a computer via the USB-C port and run the camera update application.

13 Mini XLR Microphone Input

Plug in external balanced analog audio via the mini XLR connector. A standard XLR microphone can be connected to your camera using an XLR to mini XLR adapter cable.

The mini XLR input provides phantom power for connecting professional microphones that aren't internally powered. For more information on enabling phantom power refer to the 'audio' section in this manual.

Top Panel



14 1/4-20 Mounting Point

You can use the 1/4-20 mounting point on the top of your camera to attach an external microphone or other small accessories.

NOTE The 1/4" mount on the top of the Pocket Cinema Camera should only be used for lightweight accessories such as small microphones. Do not support the weight of the camera via the top 1/4" mount by using accessories like a screw in camera handle in conjunction with a heavy lens. This will damage the 1/4" mount which will not be covered under warranty. Do not subject the mount to excessive lever force, such as mounting a heavy accessory on an extension arm. To mount heavier accessories, we strongly recommend using a camera cage designed for the Pocket Cinema Camera that attaches to both the top and bottom 1/4" mount simultaneously.

15 Record

Press the record button to begin recording immediately. Press again to stop recording.

16 Still

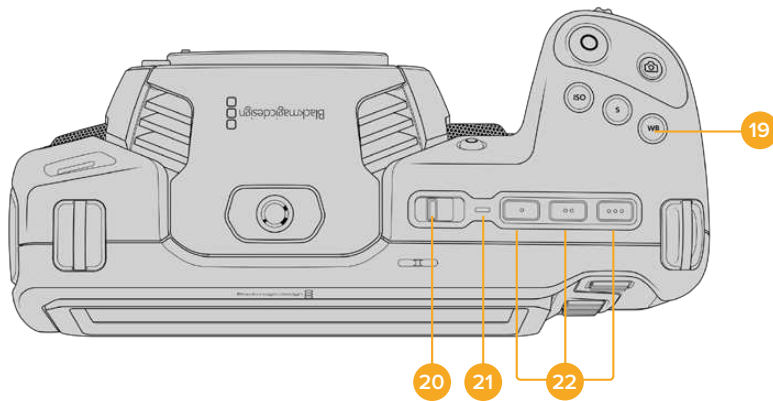
To capture a single uncompressed DNG frame, press the 'still' button. A camera icon appears briefly in the top right corner of the touchscreen display to let you know you have successfully captured a still. Image files are saved to the 'stills' folder in the root directory of the media you are currently recording to. These follow the file naming convention for video clips but the filename has 'S001' representing the 'still number' as the last four characters of the filename.

17 ISO

Press the ISO button and then rotate the settings wheel to adjust your camera's ISO setting. ISO can be set at 1/3 stop increments between 100 and 25,600.

18 Shutter

To change the shutter angle or shutter speed, press the shutter button, then rotate the settings wheel. The touchscreen display will also suggest up to three flicker free shutter options.



19 White Balance

Press the white balance button and then rotate the settings wheel to adjust your camera's white balance. You can also quickly enter the 'auto white balance' screen by holding the 'wb' button for 3 seconds. Your camera will overlay a white square in the center of your image, and use this area to perform an auto white balance. For more information refer to the 'touchscreen controls' section.

20 Power Switch

Power switch for turning on the camera. Slide the switch to the right to power on your camera, and to the left to power off.

21 Status LED

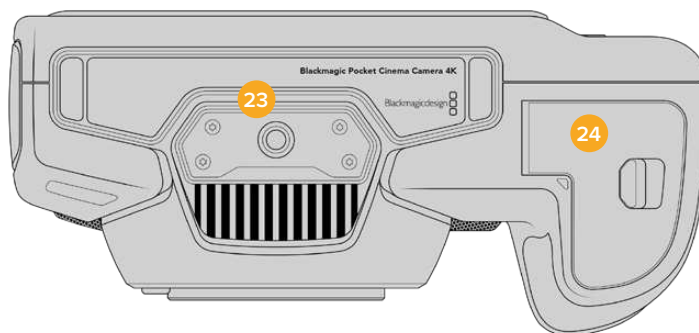
When the camera is turned off and plugged into external power via the 12V DC power jack or USB-C port, the indicator illuminates red to indicate the battery is being charged.

The status LED turns off when the battery is fully charged.

22 Function Buttons

These buttons can be programmed to a variety of commonly used functions using your camera's 'setup' menu. By default, button one is set to 'false color', button 2 is set to 'display LUT' and button 3 is set to 'frame guides'.

Camera Underside



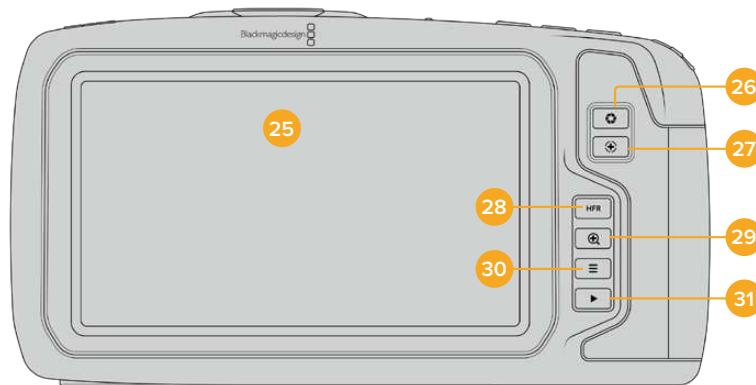
23 1/4-20 Mounting Point

Attach your camera to a tripod using the bottom 1/4-20 mounting point.

24 Battery Door

Push the battery door release towards the lens mount to open the battery door. To close, simply push the door in until it clicks shut.

Camera Rear



25 Touchscreen Display

Monitor your clips during recording and playback using the touchscreen display. Tap and swipe to adjust settings and control your camera.

26 Iris Button

Pressing the 'iris' button automatically sets an average exposure based on the highlights and shadows in your shot. You can adjust your lens aperture manually by rotating the settings wheel to the left and right, or by tapping 'iris' on the touchscreen display and adjusting the iris slider.

27 Focus Button

When using a compatible auto focus lens with your camera, press the 'focus' button once to auto focus. By default the lens will auto focus in the center of the image, however you can select an alternate auto focus point by tapping on the LCD screen in the area that you want to focus. Double press the focus button to reset the focus point to the center of the screen.

NOTE It's important to know that while most lenses support electronic focus, some lenses can be set to manual or auto focus modes. In this case you need to confirm your lens is set to auto focus mode.

28 HFR Button

Press the HFR or 'high frame rate' button to toggle off speed frame rates. To use this function, simply set the 'off speed' frame rate you'd like to use in the 'frame rate' menu. Once this is set, pressing the HFR button will toggle between your chosen off speed frame rate and project frame rate. It's worth mentioning that this setting can only be adjusted when the recording is stopped.

For more information on project and off speed frame rates, see the 'touchscreen controls' section.

29 Focus Zoom Button

Press the 'focus zoom' button to zoom in for adjusting focus at the 1:1 pixel scale. While zoomed in, you can use a pinch to zoom multitouch gesture on the touchscreen to adjust the zoom level. For more information, see the 'pinch to zoom' section. While zoomed in, you can touch and drag on the screen to view different areas of the image. To zoom out, press the 'focus zoom' button again.

30 Menu Button

Press the 'menu' button to open the dashboard.

31 Play Button

Press the play button to switch to playback mode. Press the button again for instant playback of the last recorded clip on the LCD, and on any display connected to the HDMI output.

Touchscreen Controls

Touchscreen Features

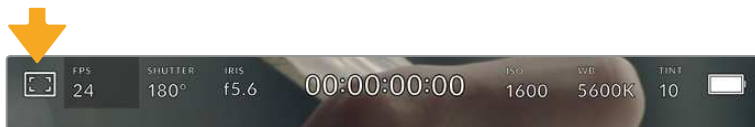
Your Blackmagic Pocket Cinema Camera's LCD touchscreen features a touch and gesture based interface that is specifically designed for fast and intuitive operation. By touching and swiping on different areas of the LCD touchscreen, you can quickly access the camera's functions while shooting.



Your Blackmagic camera's LCD touchscreen display gives you easy access to your camera's most used settings

LCD Monitor Options

Tap the 'monitor' icon at the top left of the touchscreen to access the LCD monitor settings. These settings let you toggle and adjust the appearance of your Pocket camera's monitoring features, including zebra, focus assist, frame guides, grids, safe area guides and false color. When accessing LCD monitor options, the controls for these features appear in a tabbed menu along the bottom edge of the LCD touchscreen.



Tap the icon at the top left of your camera's LCD touchscreen to access LCD monitor options

Zebra

The 'zebra' setting toggles the appearance of zebra on the LCD touchscreen, as well as setting the zebra level for the HDMI output.

Zebra displays diagonal lines over areas of your image that exceed a set exposure level. For example, setting zebra to 100% shows which areas are completely overexposed. This is useful for achieving optimum exposure in fixed lighting conditions.



Tap the 'zebra' icon while accessing 'LCD monitor options' to access the zebra settings

To toggle zebra for the LCD touchscreen, tap the switch icon in the bottom left of the screen while in the 'zebra' tab.

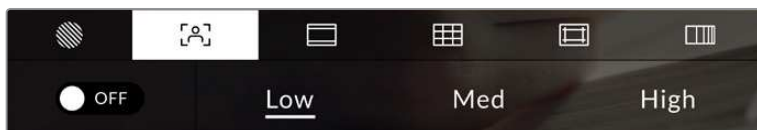
Set the exposure level that zebra appears at by dragging the slider left and right, or tapping the arrow buttons next to the zebra level percentage. Zebra level is adjustable in five percent steps between 75 and 100 percent exposure.

For information on enabling zebra on your camera's HDMI output, see the 'monitor settings' section in this manual.

TIP If you're shooting in variable light such as outdoors on a partly overcast day, setting your zebra level lower than 100 can warn you of potential overexposure.

Focus Assist

The 'focus assist' setting toggles the appearance of focus assist on the LCD touchscreen, as well as setting the level of focus assistance for the HDMI output on your Blackmagic Pocket Cinema Camera.



Tap the 'focus assist' icon while accessing 'LCD monitor options' to access your camera's focus assist settings

To toggle focus assistance for the LCD touchscreen, tap the switch icon in the bottom left of the screen while in the 'focus assist' tab.

To set the level of focus assistance for the HDMI output on your camera, tap the 'low,' 'medium' or 'high' titles along the bottom of the touchscreen.

The optimum level of focus assistance varies shot by shot. When focusing on actors, for example, a higher level of focus assistance can help resolve edge detail in faces. A shot of foliage or brickwork, on the other hand, may show distracting amounts of focus information at higher settings.

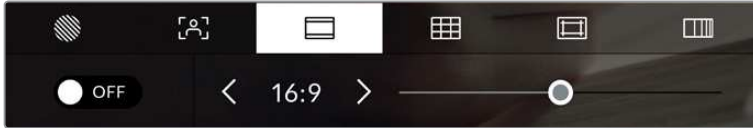
For information on enabling focus assist on your camera's HDMI output, see the 'monitor settings' section in this manual.

TIP Your Blackmagic Pocket Cinema Camera has two focus assist modes. You can switch between 'peaking' and 'colored lines' focus assistance in the 'monitor' settings menu. For more information, see the 'monitor settings' section in this manual.

Frame Guides

The 'frame guide' setting toggles the appearance of frame guides on the LCD touchscreen. You can also choose frame guide options for your camera's HDMI output.

Frame guides include aspect ratios for various cinema, television and online standards.



Tap the 'frame guides' icon while accessing 'LCD monitor options' to access your frame guide settings

To toggle the appearance of frame guides on the LCD touchscreen, tap the switch icon in the bottom left of the screen.

Choose the frame guide you want to use by dragging the slider left and right, or tapping the arrow buttons on either side of the currently selected aspect ratio. You can also enter a custom frame guide ratio by tapping on the ratio between the arrow buttons.

The available guides are:

2.35:1, 2.39:1 and 2.40:1

Displays the broad widescreen aspect ratio compatible with anamorphic or flat widescreen cinema presentation. The three widescreen settings differ slightly based on the changing cinema standards over time. 2.39:1 is one of the most prominent standards in use today.



The LCD touchscreen with 2.40:1 frame guides enabled

2:1

Displays a ratio slightly wider than 16:9 but not as wide as 2.35:1.

1.85:1

Displays another common flat widescreen cinema aspect ratio. This ratio is slightly wider than HDTV 1.78:1 but not as wide as 2.39:1.

16:9

Displays a 1.78:1 aspect ratio compatible with 16:9 HD television and computer screens. This ratio is most commonly used for HD broadcasting and online videos. The same aspect ratio has also been adopted for Ultra HD broadcasting.

14:9

Displays a 14:9 aspect ratio used by some television broadcasters as a compromise between 16:9 and 4:3 television sets. Ideally, both 16:9 and 4:3 footage remains legible when center cropped to fit 14:9. You can use this as a compositional guide if you know your project may be broadcast by a television station that uses 14:9 cropping.

4:3

Displays the 4:3 aspect ratio compatible with SD television screens, or to help with framing when using 2x anamorphic adapters.

1:1

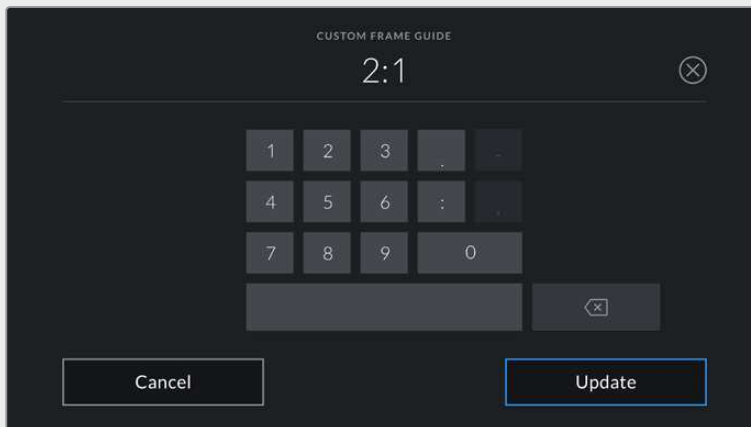
Displays a 1:1 ratio slightly narrower than 4:3. This square ratio is growing in popularity on social media.

4:5

Displays a 4:5 aspect ratio. This vertical aspect ratio is ideal for portraits and viewing on smartphones.

Custom Frame Guide Ratio

To create your own frame guide ratio for a unique appearance, tap on the ratio displayed between the arrow buttons. On the 'custom frameguide' screen tap the backspace button to delete the current ratio, then use the numeric keypad to specify a new ratio. Tap 'update' to apply your custom frame guide ratio and return to shooting.



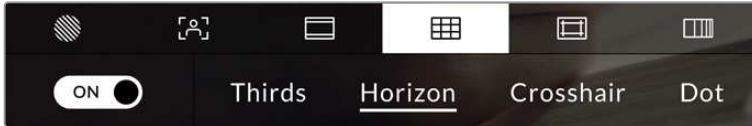
Use the numeric keypad on the 'custom frame guide' screen to enter a new frame guide ratio

TIP You can change the opacity of frame guide overlays. For more information see the 'monitor settings' section of this manual.

NOTE For information on enabling frame guides on your camera's HDMI output, see the 'monitor settings' section in this manual.

Grids

The 'grids' setting toggles the appearance of a rule of thirds grid, horizon meter, crosshair or center dot on the LCD touchscreen, as well as setting the overlay that will be visible on the HDMI output.



Tap the 'grids' icon while accessing 'LCD monitor options' to access the grid settings

Grids and crosshair are overlays that can help with image composition. When 'grids' are enabled, the LCD shows a rule of thirds grid, horizon, crosshair or dot.

To toggle the appearance of grids on your camera's touchscreen, tap the switch icon in the bottom left of the screen while in the 'frame guides' tab.

To set which overlay you want to display on the LCD and HDMI output, tap the 'thirds', 'horizon', 'crosshair' or 'dot' options. You can select one of 'horizon', 'crosshair' or 'dot' at a time in conjunction with 'thirds'. This lets you use a combination of 'thirds' and 'horizon', 'thirds' and 'crosshair', or 'thirds' and 'dot'.



The rule of thirds grid automatically scales to any on screen frame guides

Thirds

The 'thirds' setting displays a grid with two vertical and horizontal lines placed in each third of the image. Thirds are an extremely powerful tool to help compose your shots. For example, the human eye typically looks for action near the points where the lines intersect, so it's helpful to frame key points of interest in these zones. An actor's eyeline is commonly framed along the top third of the screen, so you can use the top horizontal line to guide your framing. Thirds are also useful to maintain framing consistency between shots.

Horizon





The 'horizon' meter indicates when your camera is rolled left or right and tilted up or down. This can help you keep the horizon is level during handheld shots and balance the camera tilt on a gimbal.

The direction the light gray vertical line moves away from the dark gray crosshair in the middle indicates the direction your camera is rolled. When the camera is tilted down the light gray horizontal line moves up and when the camera is tilted up the light gray horizontal line moves down.

The distance the lines move away from the central crosshair is proportional to the amount of roll or tilt. After you calibrate the camera's motion sensor, the vertical line turns blue when the camera is aligned to the roll axis and the horizontal line turns blue to indicate the camera is aligned to the tilt axis.

Note that if the camera is tilted straight down for an overhead shot or straight up, the horizon meter takes this into account. If you roll the camera to shoot in portrait orientation, the horizon meter rotates its axes 90 degrees.

This table shows examples of the horizon meter indicating tilt and roll of the camera.

Horizon meter	Description
	Straight and level
	Tilted down and level
	Straight and rolled left
	Tilted up and rolled right

For normal use, calibrate the horizon meter for straight and level operation. If you want to use the horizon meter to help maintain a consistent 'dutch angle' or a consistent tilt for a low or high shot, you can calibrate the horizon meter at an incline. For information on how to calibrate the horizon meter, see the 'motion sensor calibration' section.

Crosshair

The 'crosshair' setting places a crosshair in the center of the frame. Like thirds, the crosshair is a very useful compositional tool, making it easy to frame the subject of a shot in the very center of a frame. This is sometimes used when filming scenes that will be assembled using very fast cuts. Keeping viewers' eyes focused on the center of a frame can make rapid editing easier to follow.

Dot

The 'dot' setting places a dot in the center of the frame. This works in exactly the same way as the 'crosshair' setting, albeit with a smaller overlay that you may find less intrusive.

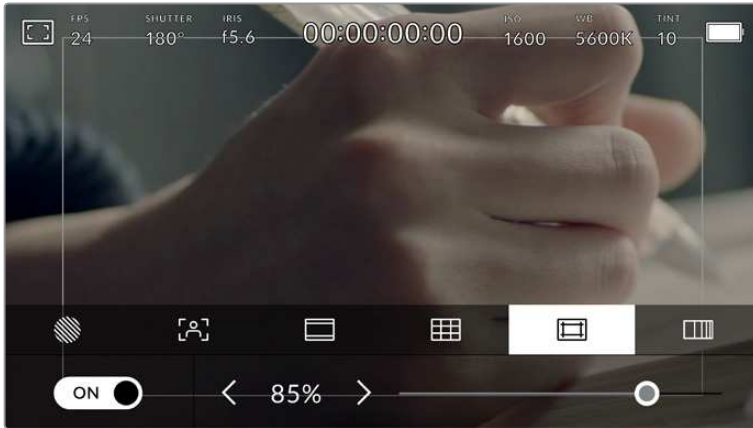
TIP For information on enabling grids on your HDMI output, see the 'monitor settings' section in this manual.

Safe Area Guides

The 'safe area guides' setting toggles the safe area guides on or off the LCD touchscreen, as well as setting the size of safe area guides for the HDMI output.

Safe areas can be used in broadcast production so the most important parts of a shot can be seen by viewers. By keeping the most important parts of your shot inside a central 'safe area,' you can avoid cropping on some televisions, as well as leaving space for a broadcaster to add bugs, news tickers and other overlays along the edges of the screen. Many broadcasters require footage to be submitted with important content, such as titles and graphics, contained inside the 90% safe area.

Safe area guides can also be used to assist with framing your shot where you know that the shot will be stabilised in post production, which can crop the edges of the image. They can also be used to indicate a specific crop. For example by setting it to 50% when recording at Ultra HD 3840x2160 you can see what a 1920x1080 crop of the frame would look like. The safe area guides also scale to your frame guides, so they will adjust to indicate the chosen percentage of your target frame.



The 'safe area' indicator set to 85%

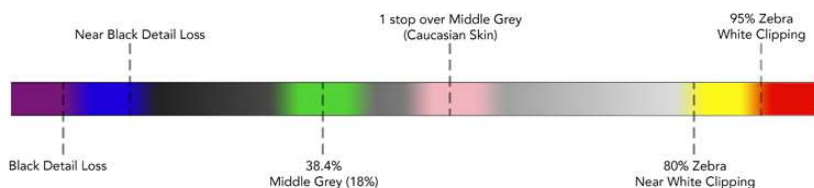
To toggle safe area guides for the LCD touchscreen, tap the switch icon in the bottom left of the screen while in the 'safe area guides' tab. To set the level of safe area guides for your camera's HDMI output, tap the left or right arrows on either side of the current numerical value at the bottom of the touchscreen. Alternatively, you can drag the slider left or right.

False Color

The 'false color' setting toggles the appearance of false color exposure assistance on the LCD touchscreen.

False color overlays different colors onto your image that represent exposure values for different elements in your image. For example, pink represents optimum exposure for caucasian skin tones, while green is a good match to darker skin tones. By monitoring the pink or green false color when recording people, you can maintain consistent exposure for their skin tones.

Similarly, when elements in your image change from yellow to red, that means they are now over exposed.



False Color Chart

To toggle false color for the LCD touchscreen, tap the switch icon in the bottom left of the screen while in the 'false color' tab.



The 'false color' exposure assistance tab

Frames Per Second

The 'FPS' indicator displays your currently selected frames per second.



Tap the frames per second indicator to access frame rate settings

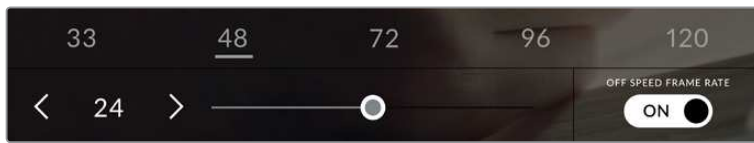
Tapping the 'FPS' indicator lets you change your camera's sensor and project frame rates via a menu at the bottom of the LCD touchscreen.

Project Frame Rate

The project frame rate is the camera's recording format frame rate and provides a selection of common frame rates used in the film and television industry. This frame rate is normally set to match your post production workflow.

8 project frame rates are available including 23.98, 24, 25, 29.97, 30, 50, 59.94 and 60 frames per second.

To adjust your camera's project frame rate while in the 'FPS' menu, tap the left or right arrows next to the current frame rate at the bottom left of your touchscreen. Alternatively, you can drag the slider left or right.

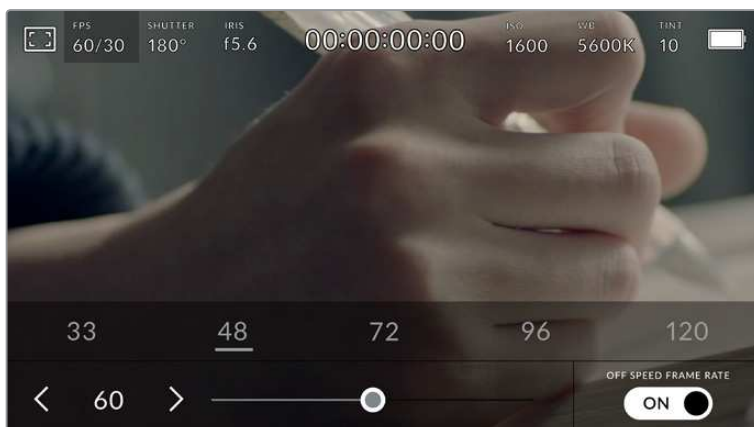


Tap the arrows on either side of the project frame rate or move the slider to make adjustments

TIP Your Blackmagic Pocket Cinema Camera's project frame rate also sets the frame rate of the HDMI output.

Sensor Frame Rate

The sensor frame rate sets how many actual frames from the sensor are recorded every second. This frame rate will affect how fast or slow your video will play back at your set project frame rate.



With 'off speed frame rate' enabled, tap a preset or the arrows on either side of the sensor frame rate or move the slider to make adjustments

By default, the project and sensor frame rates are matched for a natural playback speed. However, by tapping the 'off speed frame rate' switch icon in the bottom right hand side of your camera's 'FPS' menu, you can independently set the sensor frame rate.

To change the sensor frame rate, tap the arrows next to the sensor frame rate indicator in the lower left of your touchscreen. You can also drag the slider left or right to increase or decrease the frame rate. Once you release the slider, the sensor frame rate will be selected. Above the slider, you can tap on a common off speed frame rate. These are based on your current project frame rate.

You can create dynamic and interesting speed effects in your clips by varying the sensor frame rate. Setting the sensor frame rate higher than your project frame rate will create slow motion during playback. For example, shooting with a 60 FPS sensor frame rate and playing back at a 24 FPS project frame rate creates slow motion at 40% of the real speed of the action. Alternatively, the lower your sensor frame rate, the faster your clips will appear. The principle is similar to overcranking and undercranking a film camera. Overcranking speeds up the sensor frame rate so you can stretch out moments in time during playback to enhance emotion. Undercranking slows down the sensor frame rate so you can increase the speed of action in fast moving scenes. The creative possibilities are endless and entirely up to you!

For information on the maximum frame rates available for each recording format and codec, refer to the table in the 'recording' section of this manual.

NOTE When 'off speed frame rate' is selected the audio and video are no longer synced. This is true even if you set the same project and sensor frame rate. For this reason, avoid selecting 'off speed frame rate' if you want to guarantee audio syncing.

Shutter

The 'shutter' indicator displays your shutter angle or shutter speed. By tapping this indicator, you can manually change your camera's shutter values or configure shutter priority auto exposure modes. The shutter measurement setting can be used to select whether to display shutter information as 'shutter angle' or 'shutter speed'. See the 'setup settings' section in this manual for more information.



Tap the shutter indicator to access shutter settings

Shutter angle or shutter speed defines the level of motion blur in your video, and can be used to compensate for varying light conditions. 180 degrees is the optimum shutter angle for capturing satisfying motion blur in most conditions, with the equivalent being a shutter speed of 1/50th of a second. However as lighting conditions change, or the amount of movement in your scene increases, you may decide to adjust accordingly.

For example, 360 degrees is considered 'wide open' and allows maximum light onto the sensor. This is useful for low light conditions with subtle movement in your scene. Alternatively, if shooting subjects with a lot of movement, a narrow shutter angle like 90 degrees will provide minimal motion blur for sharper, crisper images. The equivalent shutter speeds compared to shutter angle depends on the frame rate you are using.

For example, if you are shooting at 25 frames per second, then 360 degrees will equate to 1/25th, and 90 degrees will equate to 1/100th of a second.

NOTE When shooting under lights, your shutter can affect the visibility of flicker. Your Blackmagic Pocket Cinema Camera will automatically calculate a flicker free shutter value for your current frame rate. It will display up to three suggested flicker free shutter options at the bottom of the touchscreen display when adjusting your shutter. These shutter values are affected by mains power frequency in your region. You can set your local power frequency to 50Hz or 60Hz in the camera's setup menu. See the 'setup settings' section in this manual for more information.

Tapping the 'shutter' indicator brings up the suggested shutter values along the bottom of the touch screen. If you have auto exposure set to 'off,' this screen will show you your currently selected shutter value, as well as the available flicker free shutter values, based on the mains power frequency you have selected in your camera's setup menu. For more information, see the 'setup settings' section in this manual.

NOTE The characteristics of individual light sources may still cause flicker even when using flicker free values. We recommend always performing a test shoot when not using continuous lights.

To select one of the flicker free shutter values, simply tap on one of the displayed shutter values. Using the arrows on either side of the current shutter value indicator, will cycle through some of the most commonly used values.



Your camera will suggest flicker free shutter values based on the mains power frequency you choose in the 'setup' menu

If you are shooting outside, or using flicker free lights, you can also manually select a shutter value by double tapping the current shutter indicator at the bottom left of your screen. When shutter angle is selected, this will bring up a keypad which you can use to set any shutter angle between 5 and 360 degrees.



Use the manual shutter keypad to enter your shutter timing of choice when shooting outdoors or under flicker free lights

Your Blackmagic Pocket Cinema Camera has three shutter based auto exposure modes. To select one of these, tap the 'auto exposure' button in the far right of the shutter menu.

Shutter

This setting automatically adjusts shutter value to maintain a constant exposure while keeping iris aperture consistent. If you want to maintain a fixed depth of field, this is the setting to choose. It's worth mentioning that the subtle automatic adjustments of the shutter may have an effect on motion blur. It's also worth keeping an eye out for any flicker that may be introduced from various light fixtures on indoor shoots. The auto iris feature is not available when the 'shutter' auto exposure mode is selected.

Shutter + Iris

Maintains the correct exposure levels by adjusting the shutter, then the aperture. If the maximum or minimum available shutter value is reached and exposure still cannot be maintained, your camera adjusts the aperture to keep exposure consistent.

Iris + Shutter

Maintains the correct exposure levels by adjusting the aperture, then the shutter value. If the maximum or minimum available aperture is reached and exposure still cannot be maintained, your camera adjusts the shutter value to keep exposure consistent.

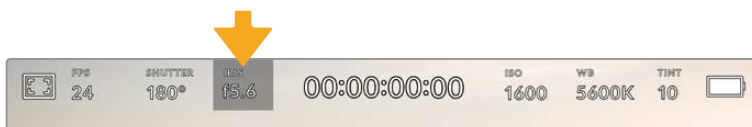


While in the shutter menu, tap 'auto exposure' to access shutter based auto exposure modes

TIP When an auto exposure mode that effects the shutter or iris is enabled, a small 'A' appears next to the shutter or iris indicator at the top of the LCD touchscreen.

Iris

The 'Iris' indicator displays your current lens aperture. By tapping this indicator, you can change the aperture of compatible lenses and configure iris based auto exposure modes.



Tap the iris indicator to access iris settings

NOTE To adjust your Iris from the LCD touchscreen, your Blackmagic Pocket Cinema Camera must be fitted with a lens that supports changing aperture via the camera.

Tapping the 'iris' indicator once brings up the iris menu along the bottom of the touchscreen. You'll see your current lens aperture at the far left of this menu. You can change the aperture by tapping the left and right arrows on either side of the current aperture, or moving the slider left or right.



While in the 'iris' menu, tap the arrows on either side of the iris indicator or use the slider to adjust iris settings

Tapping the 'auto exposure' switch icon at the far right of the iris menu opens the iris auto exposure menu.

This gives you the following auto exposure options.

Iris

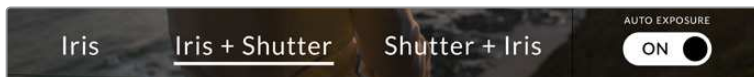
This setting automatically adjusts the aperture to maintain a constant exposure while keeping shutter angle consistent. This will keep motion blur unaffected, but may affect your depth of field.

Iris + Shutter

Maintains the correct exposure levels by adjusting the aperture, then the shutter value. If the maximum or minimum available aperture is reached and exposure still cannot be maintained, your camera adjusts the shutter value to keep exposure consistent.

Shutter + Iris

Maintains the correct exposure levels by adjusting the shutter, then the aperture. If the maximum or minimum available shutter value is reached and exposure still cannot be maintained, your camera adjusts the aperture to keep exposure consistent.



While in the iris menu, tap 'auto exposure' to access iris based auto exposure modes

TIP When an auto exposure mode that effects the iris or shutter is enabled, a small 'A' appears next to the iris or shutter indicator at the top of the LCD touchscreen.

Duration Display

At the top of your camera's LCD touchscreen, you'll see your camera's duration display.



Your camera's duration display will turn red while recording.

The duration display provides a timecode counter for checking the duration of your clips and monitoring timecode during recording and playback. The counter displays a time sequence showing Hours:Minutes:Seconds:Frames and will change accordingly as you record or play back clips. During recording the timecode is red.

The displayed duration starts from 00:00:00:00. The clip duration of the current or last recorded clip is displayed on the touchscreen. Time of day timecode is embedded into clips for easier post production.

To see the timecode, simply tap the duration display. Tap the duration display again to return to clip duration.

Additional status indicators may appear around the duration display:



Appears to the left of the duration display when your Blackmagic Pocket Cinema Camera is using a windowed sensor mode.



Appears to the right of the duration display when showing timecode.



Appears to the right of the duration display if an external LTC timecode is connected to the 3.5mm stereo input jack and valid.



Appears to the right of the duration display if the camera is running off an internal timecode after being 'jam synced' and disconnected.

ISO

The 'ISO' indicator displays the current ISO setting, or light sensitivity. Tapping this indicator lets you adjust your ISO to suit varying lighting conditions.



Tap the ISO indicator to access ISO settings.



While in the 'ISO' menu, your camera's ISO settings appear along the bottom of the LCD touchscreen. The slider below the presets lets you adjust ISO in 1/3 stop increments.

Depending on your situation, you may choose a lower or higher ISO setting. For example, in low light conditions ISO 25,600 can be suitable but may introduce some visible noise. In bright conditions ISO 100 can provide richer colors.

Dual Native ISO

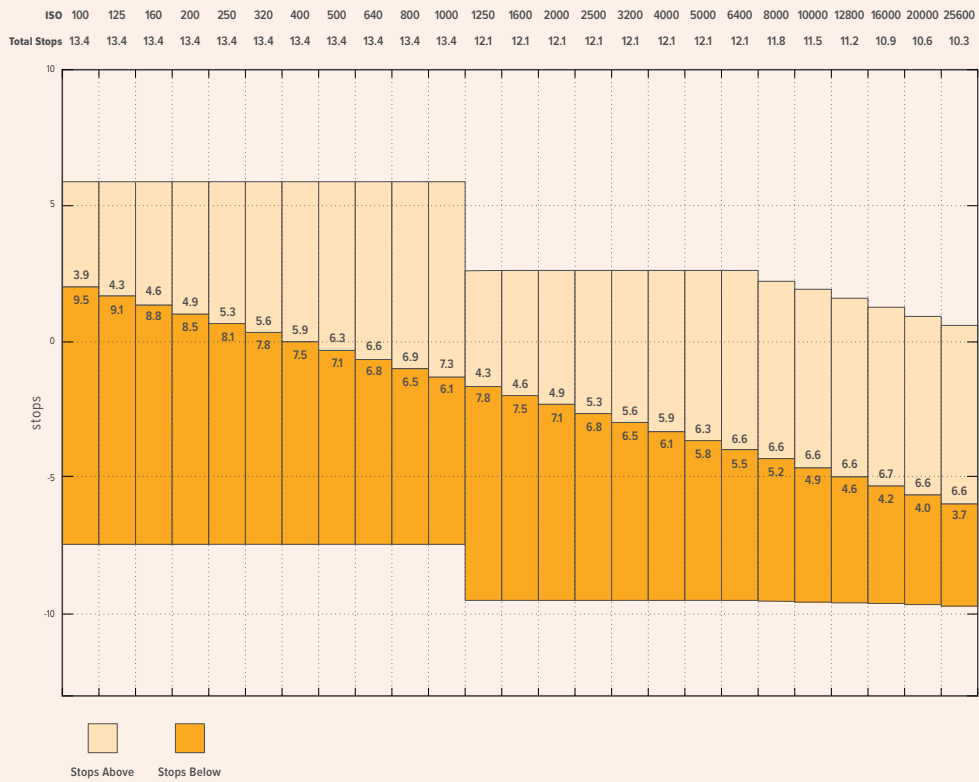
Your Blackmagic Pocket Cinema Camera has a dual native ISO of 400 and 3,200, which means that the sensor is optimized for shooting in both low light conditions, as well as bright daylight.

Adjust the ISO for the varying lighting conditions, and the dual native ISO feature will operate in the background to make sure your footage is clean and has minimal noise at low and high ISO settings.

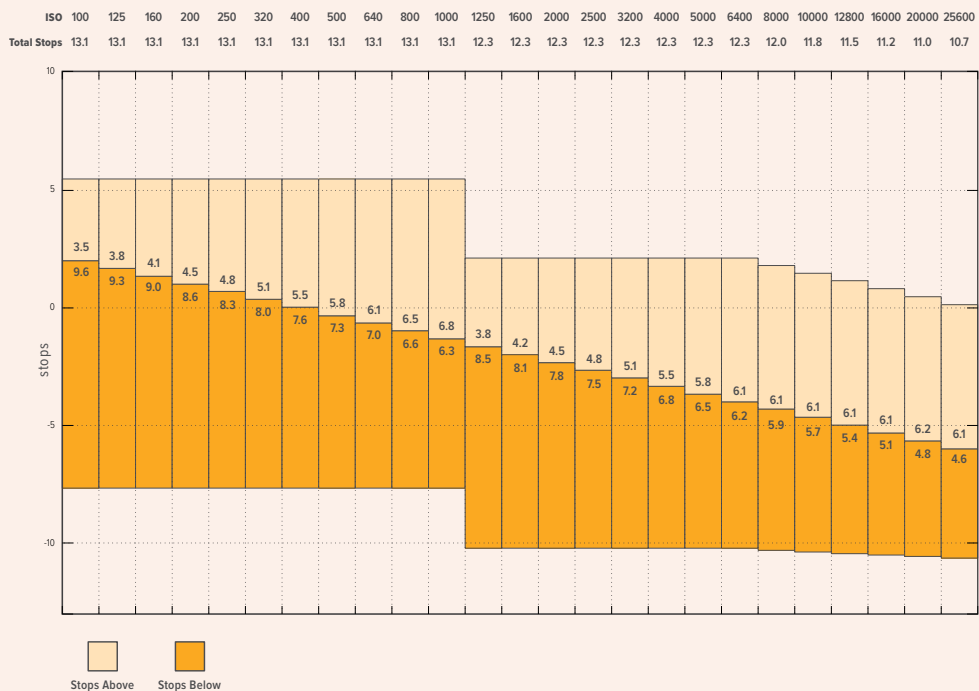
When the ISO setting is between 100 and 1,000 the native ISO of 400 is used as a reference point. The ISO range between 1,250 and 25,600 uses the native ISO of 3,200 as a reference. If you are shooting in conditions where you have a choice between ISO 1,000 or 1,250, we suggest closing down one stop on your lens' iris so that you can select ISO 1,250 as it will engage the higher native ISO and provide much cleaner results.

These charts show the relationship between the ISO selection and dynamic range allocation.

Blackmagic Pocket Cinema Camera 6K Dynamic Range

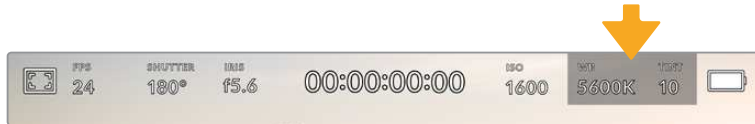


Blackmagic Pocket Cinema Camera 4K Dynamic Range



White Balance






The 'WB' and 'TINT' indicators display your camera's current white balance and tint. Tapping these indicators lets you adjust your camera's white balance and tint to suit varying lighting conditions.



Tap the white balance and tint indicators to access white balance and tint settings

Every light source emits a color. For example, a candle flame emits a warm color, and an overcast sky emits a cool color. White balance settings are used to color balance your image so white stays white by adjusting the mix of orange and blue in your image. For example, when shooting under tungsten lamps which emit a warm, orange light, selecting 3200K adds some blue to the image. This balances the color so white is accurately recorded.

Your Blackmagic Pocket Cinema Camera comes with white balance presets for a variety of color temperature conditions. These are:

	Bright sunlight	(5600K)
	Incandescent bulbs	(3200K)
	Fluorescent bulbs	(4000K)
	Mixed light	(4500K)
	Cloud	(6500K)

You can customize any of these presets by tapping or holding the arrow icons to the left and right of the temperature indicator in the bottom left of the 'white balance' menu. Each tap moves the color temperature up or down 50K, but holding the arrow icons down will increase the speed. Alternatively, you can move the temperature slider in the middle of the 'white balance' menu.

To further dial in your image, you can adjust the 'tint.' This adjusts the mix of green and magenta in your image. For example, adding some magenta can compensate for the green cast of many fluorescent lights. Many of your camera's white balance presets include some tint.



Tapping the white balance and tint indicator gives you access to five presets, as well as a white balance indicator and slider on the left, and a tint indicator on the right. Adjust these to set a custom white balance for your lighting conditions

While in the 'white balance' menu, your camera's current tint setting is shown at the bottom right of the screen. To adjust the tint, simply tap or hold the arrows to the left and right of the tint indicator. The available range is -50 to +50 in one unit steps. Holding down on the arrows speeds up adjustment.

NOTE Customizing the white balance or tint will change your preset to 'CWB,' or custom white balance. Custom white balances are persistent; your CWB settings will stay configured between power cycles, and when switching to a preset and back to CWB. This makes it easy to compare a custom white balance to the last preset used.

Auto White Balance

Your Blackmagic Pocket Cinema Camera can set white balance automatically. Tapping 'AWB' will bring up the white balance screen.

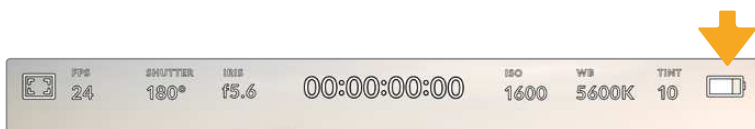
When setting white balance automatically, a square will be overlaid on the center of your image. Fill this square with a neutral surface such as a white or gray card and tap 'update WB'. The camera will automatically adjust its white balance and tint values so the average of the white or grey inside the white balance square is as neutral as possible. Once updated, this will be set as your camera's custom white balance. Holding the WB button on the top of your camera for three seconds also selects automatic white balance and activates the 'update WB' function.



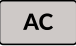

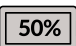
Tapping the 'AWB' icon in the white balance menu will bring up the auto white balance screen. Use this with a white or neutral grey surface to automatically set a neutral white balance

Power

The camera's power source and energy status are displayed in the top right of the LCD screen.



While using battery power, tapping the power indicator toggles between displays

	AC	Displays when your camera is plugged into mains power.
	AC / Charging	Displays when your camera is plugged into mains power, and is simultaneously charging the removable LP-E6 battery or the NP-F570 batteries if you are using Blackmagic Pocket Camera Battery Grip.
	Percentage	If your battery supports percentage display, the battery icon shows the remaining battery level as a percentage, and drains in 1% steps. At 20% charge remaining, the battery bar turns red. To toggle the percentage display on or off, tap on the battery icon.



Battery bars

The battery included with your camera shows a battery icon that drains in 25% steps. At 20% charge remaining, the battery bar turns red.



Battery grip bars

If you have Blackmagic Pocket Camera Battery Grip attached to your camera, these battery bars allow you to monitor the state of both batteries independently.

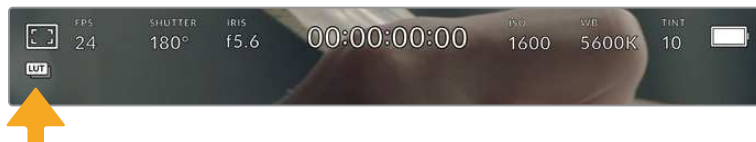


Power source voltage

This shows the voltage supplied by the battery, or through the DC power jack from a plug pack, D-tap adapter cable or custom power solution. To toggle the voltage display on or off, tap on the battery icon.

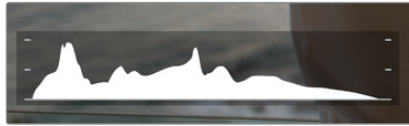
LUT indicator

When you are using a LUT as a preview tool on set, a LUT icon will be displayed in the top left corner of the screen to indicate that the LUT is currently active.



Histogram

At the bottom left of your camera's touchscreen you can see the histogram. The histogram shows the contrast between blacks and whites along a horizontal scale.



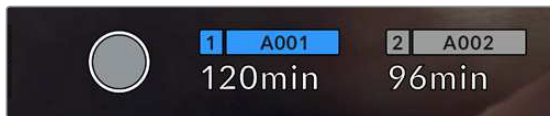
The histogram gives you an indication of the tonal range between shadows and highlights in your clip. It is also a helpful tool for checking the balance of your exposure and to prevent your highlights from clipping.

The left edge of the histogram displays shadows, or blacks, and the far right displays highlights, or whites. When you close or open the lens aperture, you'll notice the information in the histogram moves to the left or right accordingly. You can use this to check 'clipping' in your image shadows and highlights. If the left and right of your edges of the histogram come to an abrupt stop rather than falling off gradually, you may be losing highlight or shadow detail.

NOTE If you don't see a histogram in the bottom left of your touchscreen, your LCD monitor settings may be set to display 'codec and resolution.' See the 'monitor settings' section in this manual for more information.

Record button

Next to the histogram, at the bottom of your Pocket Cinema Camera's touchscreen, is a round grey button. This is the 'record' button. Tap it once to begin recording, and tap it again to stop. While recording, the button, the storage indicator, and the timecode at the top of your Pocket Cinema Camera's touchscreen turn red.



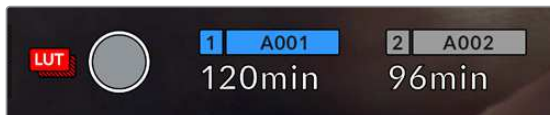
The record button is located next to the storage indicators at the bottom of the LCD touchscreen



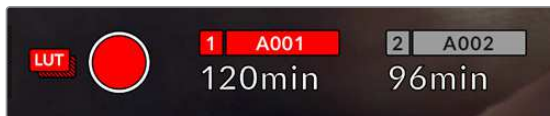
When recording, the record button displays red.

LUT Applied to Clip

If you have chosen to apply a LUT to your recorded clips in the 'record' settings tab, the touchscreen indicates this in standby mode and when recording.



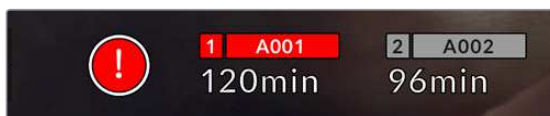
The LUT icon lets you know that recorded clips will have the selected LUT recorded with the clip.



The LUT icon will be displayed when the selected LUT is being recorded with the clip

Dropped Frame Indicator

The 'record' button is overlaid with a flashing '!' indicator if your camera begins dropping frames while recording. The time remaining indicator for the affected card also turns red. For example, if your CFast card is dropping frames, the '!' indicator appears over the 'record' button, and the time remaining indicator on the CFast card turns red. This lets you know if a particular card is too slow for your currently selected codec and resolution. The 'dropped frame indicator' also appears if you have dropped a frame on the previously recorded clip. This indicator continues until another clip is recorded, or the camera is power cycled. Refer to the 'Choosing a CFast 2.0 card' and 'Choosing an SD Card' sections for more information on how to avoid dropping frames.

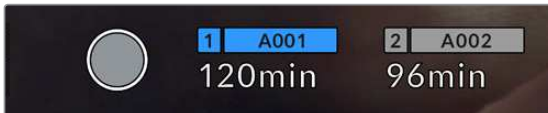


Dropped frame indicator for CFast card dropping frames

NOTE You can set your Blackmagic Pocket Cinema Camera to stop recording if dropped frames are detected to avoid recording unusable footage. See the 'record settings' section in this manual for more information.

Recording Time Remaining

When a CFast or SD card is inserted, or a USB-C flash disk is attached to your camera, the storage indicators at the bottom of the touchscreen show how much recording time is left on the card or USB-C flash disk. The time is shown in minutes and varies according to your selected frame rate and codec. The indicator automatically recalculates if either of these settings are changed. When there is approximately five minutes remaining on your card or drive, the indicator text turns red, then blinks when there is only two minutes remaining. The indicator displays 'full' when a card or drive reaches maximum capacity.



The storage indicator shows the name of your CFast card, SD card or USB-C flash disk and the record time remaining in minutes

The card or drive name is also presented in a small bar above the time remaining. The bar turns blue to indicate the camera is set to record to this card or USB-C flash disk. To record to a different card or drive, press and hold the name of the card or USB-C flash disk you wish to record to. While recording, the bar is red.

Tapping the storage indicators opens the storage and formatting menu.



Tap the storage indicators on the LCD touchscreen to access the storage manager

This menu displays the amount of free space on each CFast card, SD card or USB-C flash disk used by your camera, as well as the name of the card or drive, length of the last clip, total number of clips, and the file format for each card or drive.

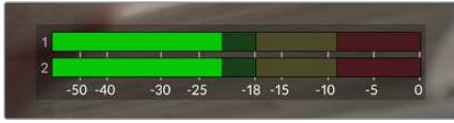
You can format your media from this menu. For more information, see the 'preparing media for recording' section of this manual.

TIP Tapping the card or drive name in the storage menu sets it as the active card or drive. Your Blackmagic Pocket Cinema Camera fills this card or drive first.

Audio Meter

The peak audio meters display audio levels for channels 1 and 2 when using the internal microphone, or via external audio when connected. The display is calibrated to dBFS units and features peak hold indicators which stay visible for a short time so you can clearly see the maximum levels reached.

To achieve optimum audio quality, ensure your audio levels do not reach 0 dBFS. This is the maximum level that your camera can record, meaning that any audio that exceeds this level will be clipped, resulting in distortion.



The colored bars on the audio meter represent peak audio levels. Ideally your peak audio levels should fall in the upper end of the green zone. If your peaks enter into the yellow or red zones your audio is in danger of clipping.

You can tap the audio meter to bring up volume controls for audio input channels 1 and 2, as well as headset or speaker volume.



Tap the audio meters on the LCD touchscreen to easily access volume and headset or speaker settings

Double Tap to Zoom

You can magnify any part of your Blackmagic Pocket Cinema Camera's preview image by double tapping the LCD touchscreen. The area you tap will be magnified, and you can move around the image by dragging your finger around the LCD touchscreen. This is very helpful when checking focus. To return to standard magnification, simply double tap your camera's touchscreen again.

Pinch to Zoom

You can adjust the zoom level on the LCD touchscreen with a pinch to zoom multitouch gesture. This does not affect the HDMI output.

To start zooming at x2, double tap on the touchscreen or press the 'focus zoom' button on the back of your camera. Then make a pinch gesture to change the zoom level. You can drag your fingers around the touchscreen to move the area magnified. To return to the standard magnification, double tap on the touchscreen again or press the 'focus zoom' button.

When you double tap on the touchscreen or press the 'focus zoom' button, the zoom level toggles between your previous magnification level and the full view. For example, if you pinch to zoom to x8 magnification, double tap zooms out, and a further double tap returns to x8.

Touch to Focus

You can focus your lens in any region of the image by tapping and holding on the LCD screen in the area that you want to focus. Press the 'focus' button to focus your lens in the chosen location. Double press the focus button to reset the focus point to the center of the screen.

Full Screen Mode

It can be useful when framing or focusing a shot to temporarily hide your touchscreen's status text and meters. To hide them all at once, swipe up or down on the LCD touchscreen. The record indicator, frame guides, grids, focus assist and zebra remain visible.

To show the status text and meters again, swipe up or down again.



Swipe up or down to hide all status indicators on the LCD touchscreen

Playback Menu

Tap the 'play' control button to access the playback menu. You can control previously recorded clips with your camera's control buttons or the LCD touchscreen.

When using the LCD touchscreen, tap 'play' once to start playback and again to pause. Use the forward and reverse buttons to skip to the start or end of clips. Tapping 'forward' once moves you to the next clip. Press the reverse button once to go to the start of the current clip or press twice to skip back to the start of the previous clip. Playback of clips can also be looped by activating the loop icon.



The reverse, play, forward and loop icons

To shuttle, hold down either the forward or reverse transport buttons. This plays your footage back at twice regular speed in either forward or reverse, depending on which transport key you held.

Once shuttling, you can change the shuttle rate by tapping the transport keys again. Each time you tap the transport key in the same direction you double the shuttle rate. The maximum shuttle rate is x16 normal speed. Tapping the transport key again at x16 speed returns you to x2 speed. Each time you tap the opposite direction, the shuttle speed halves until you reach x2 speed. You can return to normal playback by tapping the 'play' button.



The shuttle speed indicator displays the speed and direction of footage being fast forwarded or reversed

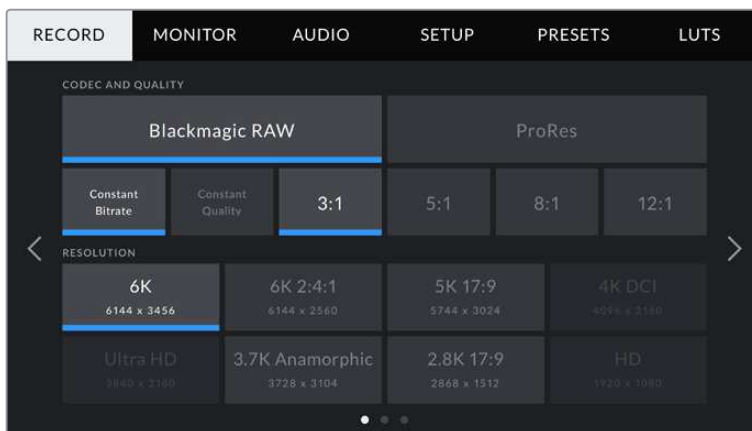
Tapping the 'record' control button in playback mode returns your camera to 'standby' mode, ready to record.

TIP Swipe up or down on the touchscreen to hide status text while playing back footage. Enter the slate in playback mode to mark the current clip 'good take' in metadata. For more information, see the 'entering metadata' section.

Settings

Dashboard

Press the 'menu' button to open your camera's dashboard. This tabbed menu has settings not available from the touchscreen. Settings are divided by function into 'record,' 'monitor,' 'audio,' 'setup,' 'presets,' and 'LUTS' tabs. Each tab has multiple pages, which you can cycle through by tapping the arrows at the edge of your camera's touchscreen, or swiping left or right.



Tap the 'record,' 'monitor,' 'audio,' 'setup,' 'presets,' and 'LUTS' headings to move between your Pocket Cinema Camera's dashboard tabs

Record Settings

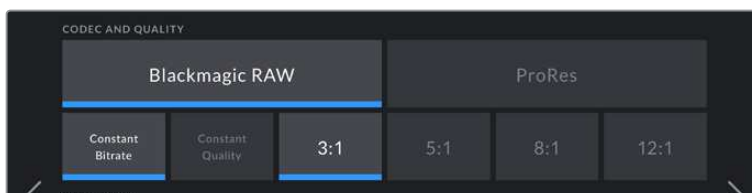
The 'record' tab lets you set your video format, codec, and resolution, as well as other settings that are important for your recorded video, such as dynamic range and detail sharpening.

Record Settings 1

The first page of the 'record' settings tab contains the following settings.

Codec and Quality

The 'codec and quality' menu is split into two rows. The top row lets you choose between two codec families, Blackmagic RAW and Apple ProRes, while the bottom row offers quality options in those families. For example, the quality options available in the ProRes codec family are ProRes 422 HQ, ProRes 422, ProRes 422 LT and ProRes 422 Proxy. Blackmagic RAW options are divided between four 'constant bitrate' and two 'constant quality' settings.



Blackmagic RAW options for 'codec and quality'

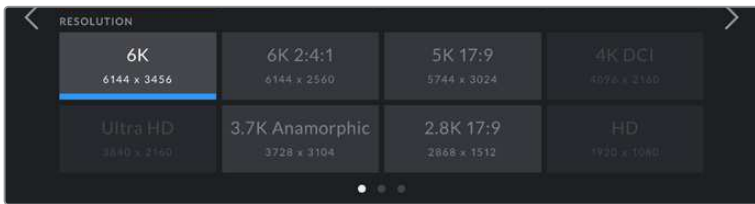


ProRes options for 'codec and quality'

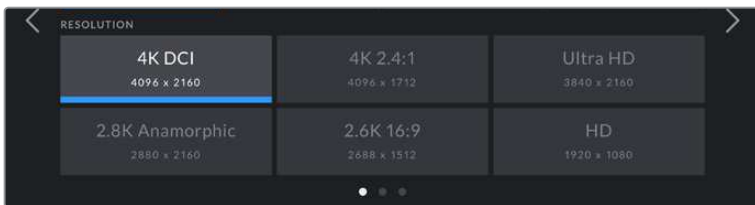
TIP The amount of video you can record on your storage media on Blackmagic Pocket Cinema Camera increases if you choose codecs that use higher compression. Refer to the 'record duration' tables in the 'recording' section for more information.

Resolution

This setting works in combination with the 'codec' setting. Use it to select the resolution for your desired recording format. For example, if you want to record Ultra HD clips using ProRes HQ, select 'ProRes' and 'HQ' in the 'codec and quality' menu. Now choose 'Ultra HD' in the resolution menu.



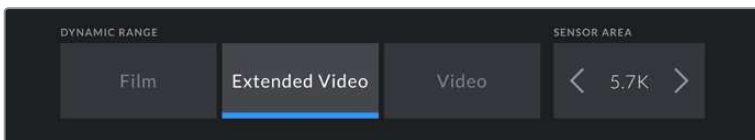
Pocket Cinema Camera 6K 'resolution' options when using Blackmagic RAW codec



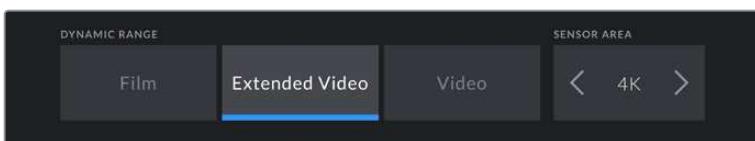
Pocket Cinema Camera 4K 'resolution' options. Note that in 4K DCI format the category is 'resolution', otherwise it's 'resolution - sensor windowed'.

Record Settings 2

The second page of the 'record' settings tab contains the following options.



Pocket Cinema Camera 6K options for 'dynamic range' and 'sensor area'



Pocket Cinema Camera 4K options for 'dynamic range' and 'sensor area'

Dynamic Range

Adjust the 'dynamic range' setting by tapping the dynamic range icons. Blackmagic Pocket Cinema Camera has three dynamic range settings:

Film	The 'film' setting shoots video using a log curve that allows you to maintain the greatest dynamic range, and maximizes the information in your video signal to help you get the most out of color grading software, such as DaVinci Resolve.
Extended Video	The 'extended video' setting offers a good balance between 'video' and 'film' dynamic range settings. This setting offers a wider dynamic range than 'video,' while applying a mild contrast change with a smooth roll off in the highlights. 'Extended video' is suitable for use with standard broadcast monitors and is a helpful setting if you have limited time for post production and want to record your clips with a pleasing 'look' applied.
Video	The 'video' setting is similar to the REC 709 color standard for high definition video. This lets you work faster by recording directly to the compressed video formats in a color space suitable for direct delivery or minimal post processing.

NOTE When recording Blackmagic RAW and ProRes using 'film' dynamic range, the image will appear dull and desaturated on your touchscreen. This is because the image file contains a lot of data that hasn't yet been graded to suit a standard display. However, while recording film dynamic range, you can monitor the video on the touchscreen and HDMI output using a display LUT, or look up table, designed to simulate a standard contrast. For more information, refer to the '3D LUTs' section in this manual.

Sensor Area

Blackmagic Pocket Cinema Camera can be set to use the 'full' sensor area, or for even higher frame rates, you can use the 'sensor area' option to select the sensor area in 'window' mode. This uses only the amount of sensor pixels needed for a given video format rather than scaling images from the entire sensor. Some formats combine windowing and scaling, for example Pocket Cinema Camera 6K has HD formats scaled from the full sensor, scaled from a 5.7K window and scaled from a 2.7K window.

As the 'window' modes use only the center of the camera's sensor, the field of view of any given lens is narrower due to the crop involved. For example, when using a 20mm lens to shoot HD footage in windowed sensor mode, the field of view is equivalent to a 40mm lens on Blackmagic Pocket Cinema Camera 4K.

The 'sensor area' setting is available when shooting below your camera's maximum resolution, such as when shooting Ultra HD or HD ProRes video.

The fastest frame rates for Pocket Cinema Camera 6K are available when shooting 2.8K 17:9 windowed and HD scaled from 2.7K windowed. The fastest frame rates for Pocket Cinema Camera 4K are available in 2.6K 16:9 mode and in HD windowed mode.

For more information on 'full' and 'window' formats, see the 'maximum sensor frame rates' section.

Project Frame Rate

The project frame rate provides a selection of frame rates commonly used in the film and television industry. For example, 23.98 frames per second. This frame rate is normally set to match your playback speed and audio sync used in your post production workflow and delivery requirements.

Eight project frame rates are available, including 23.98, 24, 25, 29.97, 30, 50, 59.94 and 60 frames per second.

Off Speed Recording

By default, the project and sensor frame rates are matched for a natural playback speed. However, tapping the 'off speed recording' switch icon lets you set your sensor frame rate independently.

Off Speed Frame Rate

With 'off speed recording' enabled, tap the arrows next to the 'off speed frame rate' indicator to set your camera's sensor frame rate.

The sensor frame rate sets how many actual frames from the sensor are recorded every second, and frame rate will affect how fast or slow your video will play back at your set project frame rate.

For more information on off speed frame rates, see the 'frames per second' section in the 'touchscreen features' section of this manual.

NOTE For information on the maximum frame rates available for each recording format and codec, refer to the tables in the 'maximum sensor frame rates' section.

Preferred Card for Recording

Use this setting to select which storage card or drive your Blackmagic Pocket Cinema Camera records to first when both slots are in use. The options are 'CFast Card', 'SD Card' and 'Fullest Card'. Picking either 'CFast Card' or 'SD Card' is a matter of personal preference, but using either consistently will let you know which card to swap out first as your storage fills up. 'Fullest card' can help group files chronologically when shooting a single camera project.

The setting you choose is applied when a CFast or SD card is inserted. You can override this setting at any time by entering the storage manager and tapping the card name to set it as active. It's important to note, however, that ejecting and reinserting cards reverts to the current 'preferred card for recording' setting.

TIP The 'fullest card first' setting is based on the percentage that your recording media are filled, rather than their sizes or the amount of data used.

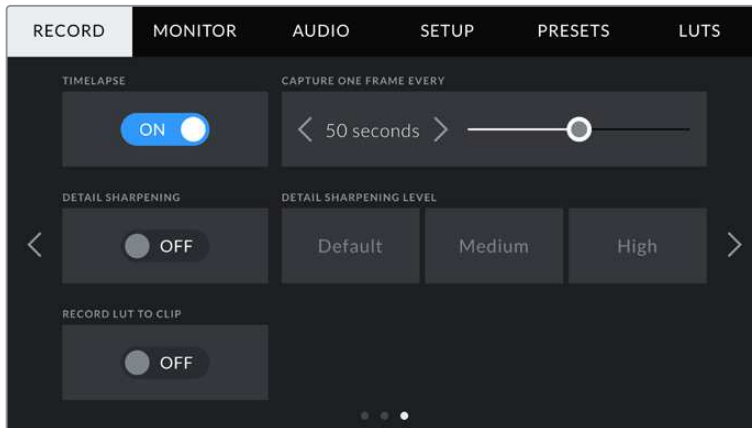
Stop Rec If Card Drops Frame

Use this setting to configure the behavior of your Blackmagic Pocket Cinema Camera when dropped frames are detected. When set to 'off,' recording continues with dropped frames. When set to 'on,' your camera stops recording if dropped frames are detected. This can prevent you wasting time shooting unusable footage if you don't spot the dropped frame indicator.

TIP Refer to the 'Storage Media' section for more information on how to avoid dropping frames.

Record Settings 3

The third page of the 'record' settings tab contains the following settings.



Timelapse

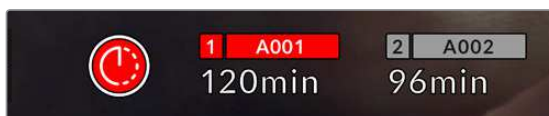
This setting activates the timelapse feature to automatically record a still frame at the following intervals:

Frames	2 – 10
Seconds	1 – 10, 20, 30, 40, 50
Minutes	1 – 10

For example, you can set the camera to record a still frame every 10 frames, five seconds, 30 seconds, five minutes etc.

The timelapse feature offers many creative options. For example, setting a two frame timelapse interval gives your recorded video a high speed effect when played back.

Start recording by pressing the record button. When you press the button again to stop recording, the timelapse sequence is saved as one single clip, matching the codec and frame rate set in your camera. This means you can drop the timelapse sequence into your post production timeline just like any other clip you have recorded.



Timelapse mode is indicated by an icon over the 'record' button

TIP When you record clips in timelapse mode, the timecode counter updates when a frame of video is recorded.

Detail Sharpening

Use this setting to sharpen the image. When sharpening is enabled, decrease or increase the level of sharpening by selecting 'default', 'medium' or 'high'.

When sharpening is enabled, it is applied to ProRes video recorded on camera as well as the HDMI output.

This setting is intended for live studio production where there is no time for post production and you want to output the image live to air. We recommend leaving it 'off' for images you are recording for further post production. Detail sharpening is disabled when the codec is set to Blackmagic RAW.

Record LUT to Clip

Your Blackmagic Pocket Cinema Camera does not apply, or 'bake in,' LUTs by default to recorded footage, however you can choose to 'bake in' the LUT to your footage by tapping the 'record lut to clip' switch icon.

This can be a useful option for situations where you do not have the time to grade your footage in post-production, or where you need to give the footage directly to a client or an editor. For more information, refer to the '3D LUTs' and 'touchscreen controls' sections.

Apply LUT in File

If you are shooting with the Blackmagic RAW codec and applying a LUT to the HDMI output of your camera, the selected LUT will be embedded into the Blackmagic RAW file you are recording. This means that the LUT will be saved in the header of the file and can easily be applied to the clip in post production without needing to handle a separate file. When the 'apply LUT in file' switch is set to 'on' in the record menu, this clip will open in Blackmagic RAW Player and DaVinci Resolve with the chosen LUT already applied to it. The LUT can then be easily toggled 'on' or 'off' but will always travel with the Blackmagic RAW file as it is written into the clip itself.

DaVinci Resolve also has an 'Apply LUT' switch in the RAW settings palette for enabling or disabling the 3D LUT in the Blackmagic RAW file. The 'Apply LUT' setting in DaVinci Resolve is the same setting as in the camera. This means that when shooting you can direct the colorist to use the LUT by setting it in the camera, but they can switch it off easily in DaVinci Resolve by setting 'Apply LUT' to 'off'.

File Naming Convention

Clips are recorded to your CFast card, or SD card or USB-C flash disk in the Blackmagic RAW format or to a ProRes QuickTime movie, depending upon which recording format you have chosen.

The table below shows an example of the file naming convention:

A001_08151512_C001.mov	QuickTime Movie Filename
A001_08151512_C001.mov	Camera index
A001 _08151512_C001.mov	Reel Number
A001_ 08 151512_C001.mov	Month
A001_08 15 1512_C001.mov	Day
A001_0815 15 12_C001.mov	Hour
A001_081515 12 _C001.mov	Minute
A001_08151512_ C001 .mov	Clip Number

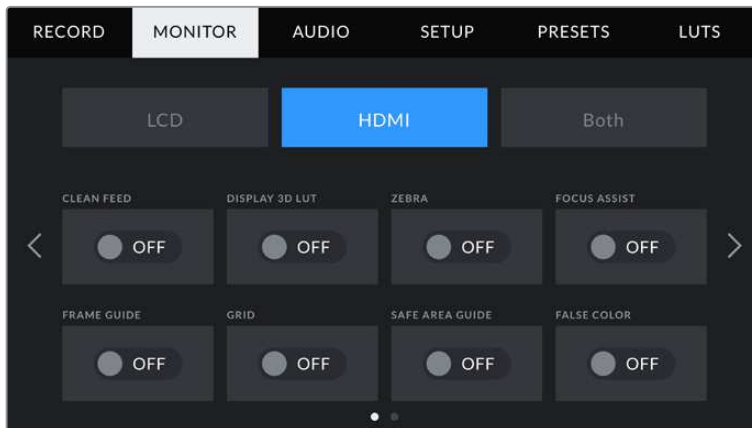
Still image files captured using the still button follow the file naming convention for video clips, however the filename has 'S001' representing the 'still number' as the last four characters of the filename in place of the clip number. For information on how to change the camera index, see the 'Project Metadata' section.

Monitor Settings

The 'monitor' tab lets you adjust status text, overlays, and other monitoring options for your Blackmagic Pocket Cinema Camera's LCD touchscreen and the HDMI output. Options are arranged by output between 'LCD', 'HDMI' and 'both', which covers monitor settings that affect the LCD and the HDMI output. These menus have two pages of options, which you can cycle through by tapping the arrows at the edge of your camera's touchscreen, or swiping left or right.

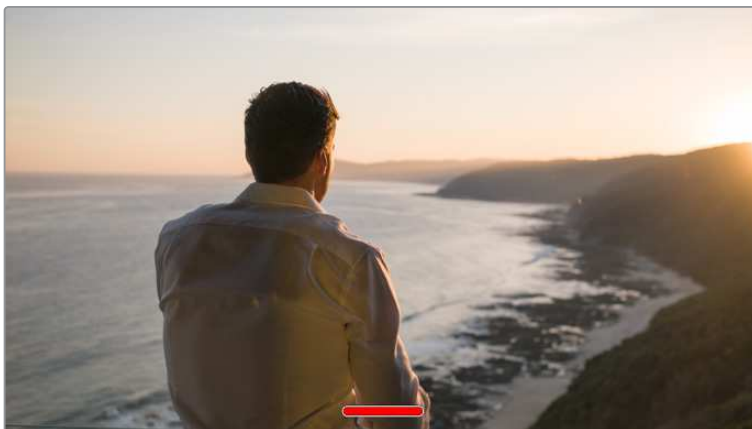
Monitor Settings 1

The first page of the monitor tab contains identical settings for each output. For example, you can set 'zebra' on for the LCD touchscreen, but off for the HDMI output.



Clean Feed

Tap the 'clean feed' switch in the 'LCD' or 'HDMI' menus to disable all status text and overlays for that output, except the record tally indicator.



Your camera will display a record tally even in clean feed mode

NOTE LUTs will still be applied to outputs with 'clean feed' enabled. To disable LUTs, disable the 'display LUT' switch in the 'Monitor' menu.

Display 3D LUT

Your Blackmagic Pocket Cinema Camera can apply 3D LUTs to any output to approximate the look of color graded footage. This is especially useful when recording clips using 'film' dynamic range.

If your camera has a 3D LUT active, use this setting to independently apply that LUT to your LCD touchscreen or HDMI output.

For more information on loading and using 3D LUTs, see the '3D LUTs' section of this manual.

Tap the switches on the 'LCD' or 'HDMI' pages to enable monitoring options for the LCD touchscreen and the HDMI output: focus assist, frame guide, grid, safe area guide, false color.

Zebra

Tap the 'zebra' switch in the 'LCD' or 'HDMI' menus to enable zebra guides for those outputs. For more information on zebra guides and setting zebra levels, see the 'touchscreen features' section in this manual.

Focus Assist

Tap the 'focus assist' switch in the 'LCD' or 'HDMI' menus to enable focus assist for those outputs. For more information on focus assist and setting focus assist levels, see the 'touchscreen features' section in this manual.

Frame Guide

Tap the 'frame guide' switch in the 'LCD' or 'HDMI' menus in the 'LCD' or 'HDMI' menus to enable frame guides for those outputs. For more information on frame guides and choosing different guides, see the 'touchscreen features' section in this manual.

Grid

Tap the 'grid' switch in the 'LCD' or 'HDMI' menus to enable a rule of thirds grid for those outputs. For more information on the rule of thirds grid, see the 'touchscreen features' section in this manual.

Safe Area Guide

Tap the 'safe area' switch in the 'LCD' or 'HDMI' menus to enable safe area overlay for those outputs. For more information on the safe area guide, see the 'touchscreen features' section in this manual.

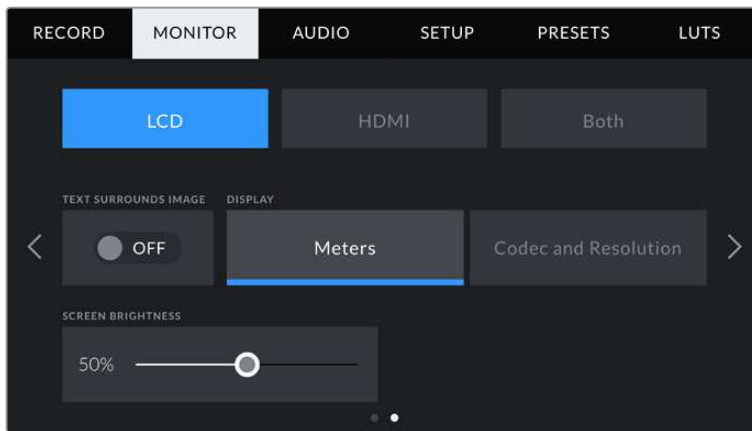
NOTE Use the 'safe area guide %' setting in your Blackmagic Pocket Cinema Camera's 'both' monitoring settings to set the size of the safe area guide.

False Color

Tap the 'false color' switch in the 'LCD' or 'HDMI' menus to enable false color exposure assistance for those outputs. For more information on using false color, see the 'touchscreen features' section in this manual.

LCD Monitor Settings 2

The second page of the 'LCD' monitor tab contains settings unique to your LCD touchscreen.



'Status text' gives you a clear view of your camera's preview image

Status Text

This setting can be useful to hide the status text and meters on your LCD touchscreen, leaving only the information necessary to compose or direct a shot. Tap the 'status text' switch icon to toggle the appearance of status text and meters for your camera's LCD touchscreen. Overlays such as frame guides, grids, focus assist and zebra remain visible, if enabled. Swiping up or down on the LCD touchscreen has the same effect.

Display

Instead of a histogram and audio meters, your camera can display codec and resolution information at the left and right bottom edges of the LCD touchscreen. This can be useful if you prefer to use false color for dialling in exposure, or are recording audio separately and want to display additional information in the space normally used by the histogram and audio meter.

Simply tap 'meters' or 'codec and resolution' in the 'LCD' menu to select your preferred view.



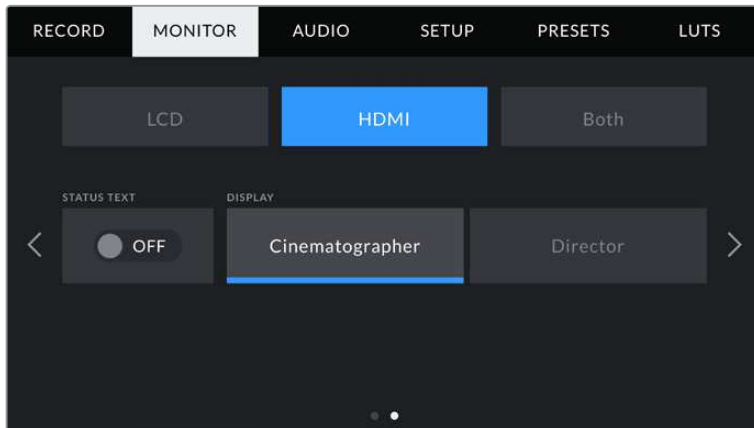
Your Blackmagic Pocket Cinema Camera can display codec and resolution information in place of the histogram and audio meters

Screen Brightness

Drag the 'screen brightness' slider in the 'LCD' menu left or right to adjust the brightness of your camera's LCD touchscreen.

HDMI Monitor Settings 2

The second page of your 'HDMI' monitor tab contains settings unique to your HDMI output.



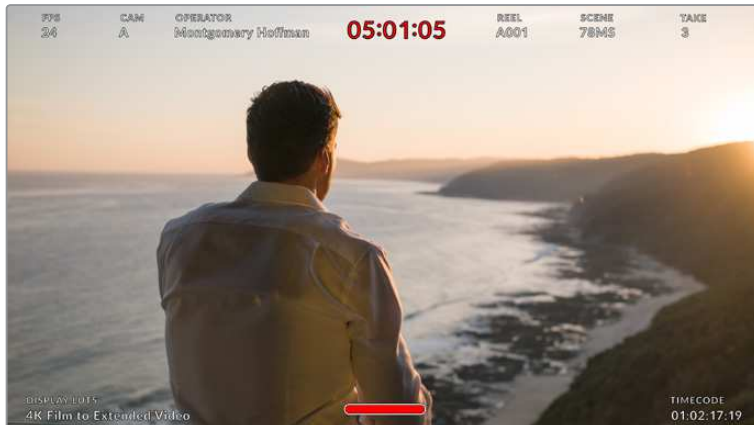
Status Text

It can be useful to hide the status text and meters on your HDMI output, leaving only the information necessary to compose or direct a shot. Tap the 'status text' switch icon in the HDMI monitor menu to toggle the appearance of status text and meters. Overlays such as frame guides, grids, focus assist and zebra remain visible, if enabled.

To hide or reveal status text and meters on the touchscreen, simply swipe up or down.

Display Status Text For Cinematographer or Director

The LCD touchscreen displays information such as ISO, white balance, and aperture that is useful to a camera operator or cinematographer setting up individual shots on that camera. Your camera's HDMI output, however, can also show information useful to a director or script supervisor who is keeping track of multiple shots or cameras.



Your Blackmagic Pocket Cinema Camera can display director specific status text on its HDMI output

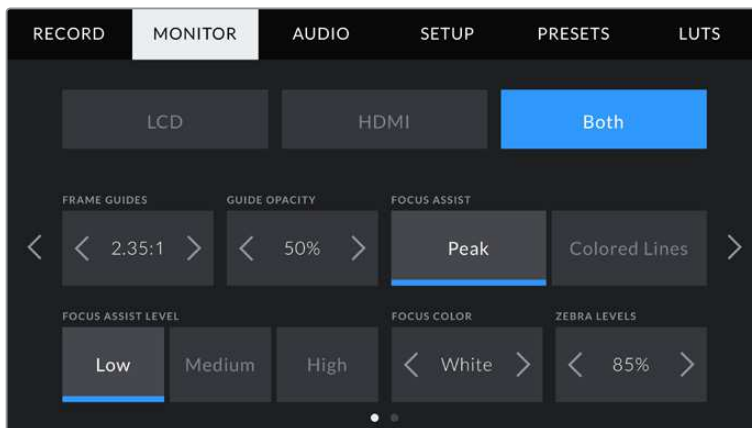
Setting the status text to 'director' in the HDMI monitor settings changes the status text for that output to show the following information.

- **FPS**
Displays the currently selected frames per second for that camera. If off speed frame rate is disabled, only the project frame rate is shown. If an off speed frame rate is being used, the sensor frame rate is shown, followed by the project frame rate.
- **CAM**
Displays the camera index as set in your camera's slate. For more information, see the 'slate' section.
- **OPERATOR**
Identifies the camera operator as set in your camera's slate. For more information, see the 'slate' section.
- **DURATION DISPLAY**
Displays the duration of the current clip while recording, or the last recorded clip in the following format: hours:minutes:seconds.
- **REEL, SCENE, TAKE**
Displays the current reel, scene and take. For more information on reels, scenes, takes and their labelling conventions, refer to the 'slate' section.
- **DYNAMIC RANGE**
The bottom left hand corner of the monitor displays the currently applied LUT, if applied to that output. If no LUT is applied, 'film' or 'video' dynamic range is displayed.
- **TIMECODE**
The bottom right of the monitor displays your camera's timecode, in the following format:
hours:minutes:seconds:frames.

Both Monitor Settings 1

Monitor settings that affect both your camera's LCD and the HDMI output are grouped in the 'both' menu. For example, setting 'safe area guide %' to 90% in this menu sets the safe area guide to 90% for your camera's LCD and HDMI output.

Monitor settings for both are displayed over 2 pages, containing the following settings.



Frame Guides

Tap the left or right arrows in the 'frame guides' menu setting to cycle through frame guide options for all outputs on your camera. The options are detailed in the 'touchscreen features' section of this manual, and are also accessible from the LCD monitoring menu in your LCD touchscreen head up display. It's worth noting that you can individually select whether frame guides appear on the LCD touchscreen and HDMI output in their respective 'monitor' menus.

Guide Opacity

Tap the left or right arrows in the 'guide opacity' menu setting to choose the opacity of the areas blocked out by frame guides on your LCD touchscreen and HDMI output. The options are 25%, 50%, 75% and 100%.

Focus Assist

Your camera has two focus assist modes, including 'peak' and 'colored lines.'

Peak	When 'peak' style focus assist is selected, areas of the shot that are in focus are heavily sharpened on your LCD touchscreen or HDMI output, but not in the recorded image itself. This causes focused parts of your shot to 'pop' out of the softer background on screen. As no additional overlays are used, this can be a very intuitive way to tell when focus is dialed in, especially when the subject you're focusing on is physically well separated from other elements in shot.
Colored Lines	When 'colored lines' style focus assist is selected, a colored line is superimposed around the parts of the image that are in focus. This can be a little more intrusive than 'peak' style focus assistance as the lines are drawn over your image, but especially in busy shots with a lot of visible elements, it can be a precise focus aid.

Focus Assist Level

To set the level of focus assistance for your LCD and HDMI output, tap the 'low,' 'medium' or 'high' setting.

NOTE Setting the focus assist intensity level does not affect whether focus assistance is enabled on your Blackmagic Pocket Cinema Camera's LCD and HDMI output. You need to turn focus assistance on individually for each output in the LCD and HDMI output monitor menus.

TIP The optimum level of focus assistance varies shot by shot. When focusing on actors, for example, a higher level of focus assistance can help resolve edge detail in faces. A shot of foliage or brickwork, on the other hand, may show distracting amounts focus information at higher settings.

Focus Color

Use this setting to change the color of focus line overlays when using 'colored lines' style focus assistance. Changing the focus line color can make it easier to tell focus assistance lines apart from your image. The available options are 'white,' 'red,' 'green,' 'blue' and 'black.'

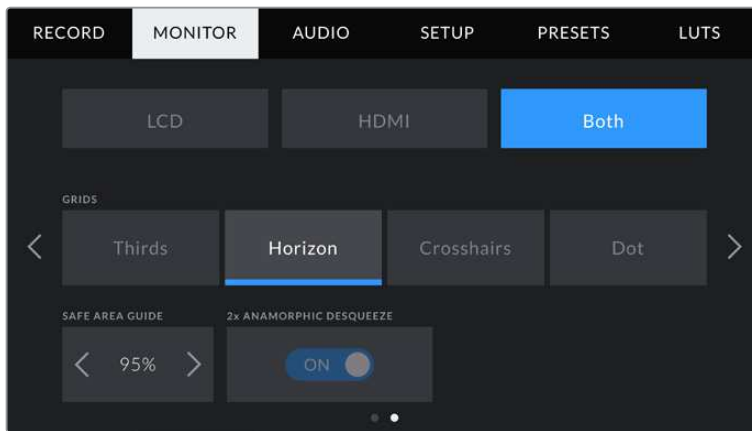
Zebra Levels

Set the exposure level that zebra appears at by tapping the arrow icons on either side of this setting. Zebra level is adjustable in five percent steps between 75 and 100 percent exposure.

For more information, see the 'zebra' guide in the 'touchscreen features' section of this manual.

Both Monitor Settings 2

The second page of the 'both' monitor tab contains the following options:



Page 2 of 'monitor' options for both LCD and HDMI

Grids

To set which combination of grids and crosshair you want to display on your camera's LCD touchscreen and HDMI output, tap the 'thirds', 'horizon', 'crosshair' or 'dot' options in this setting.

For more information, see the 'grids' guide in the 'touchscreen features' section.

Safe Area Guide %

Adjust the size of the safe area overlay on the touchscreen and HDMI output by tapping the arrows to the left and right of the percentage displayed in this setting. This percentage indicates the size of the safe area in relation to the image frame. Most broadcasters require a 90% safe area.

Anamorphic Desqueeze

Your Pocket Cinema Camera can apply an anamorphic desqueeze to the LCD touchscreen and HDMI output. In 16:9 and 17:9 formats you can enable '1.33x anamorphic desqueeze'. When you record in '3.7K anamorphic' format on Pocket Cinema Camera 6K or '2.8K Anamorphic' format on Pocket Cinema Camera 4K, your camera applies '2x anamorphic desqueeze' automatically.

Audio Settings

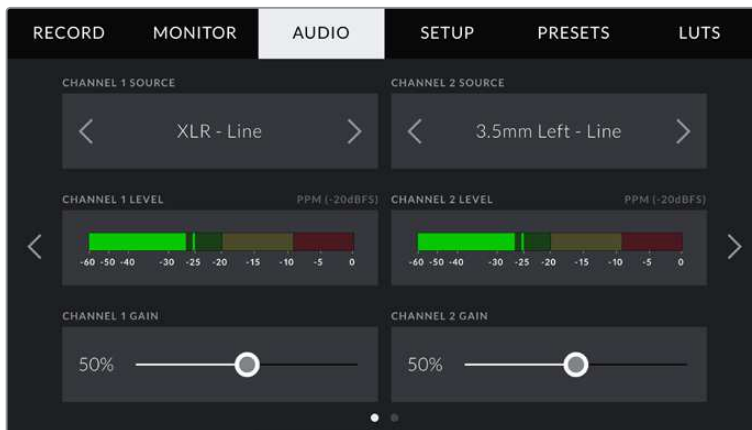
The 'audio' tab lets you adjust the audio input and monitoring settings on your camera.

The audio settings for the camera are spread over two pages and divided between channels 1 and 2.

You can map each audio channel to a different source, as well as adjusting various settings such as gain control.

Audio Settings 1

The first page of the 'audio' tab contains the following settings.



Channel Source

Use the 'channel 1 source' and 'channel 2 source' buttons to select your audio source for each audio channel. Below is a description of each channel source setting.

- **Camera Left or Right**
Records from your camera's internal microphones.
- **Camera Mono**
Creates a single audio channel from your Blackmagic Pocket Cinema Camera's built in microphone's left and right channels.
- **XLR Line**
Uses your camera's XLR input to record line level audio.
- **XLR Mic**
Records mic level audio from your camera's XLR input. If phantom power is enabled and you have your XLR input set to 'mic' you'll also see a '+48V' indicator here. It is also important to ensure that the 48V switch gets turned 'off' when you disconnect your phantom powered microphone.
- **3.5mm Left – Line**
Uses only the left channel of the 3.5mm input as line level audio.
- **3.5mm Right – Line**
Uses only the right channel of the 3.5mm input as line level audio.
- **3.5mm Mono – Line**
Creates a mono mix of the left and right channel from the 3.5mm input as line level audio.
- **3.5mm Left – Mic**
Uses only the left channel of the 3.5mm input as mic level audio.
- **3.5mm Right – Mic**
Uses only the right channel of the 3.5mm input as mic level audio.
- **3.5mm Mono – Mic**
Creates a mono mix of the left and right channel from the 3.5mm input as mic level audio.
- **None**
Disables your audio channel.

NOTE When selecting the 3.5mm input as an audio source, the channel 1 and channel 2 source both need to be line level or mic level. This means that if you select '3.5mm left - line' as your channel 1 source, the available options for the 3.5mm input on channel 2 will all be line level: '3.5mm left - line', '3.5mm right - line' and '3.5mm mono - line'. The mic level options will be grayed out.

Channel 1/2 Level

The level meters help you set the correct audio level.

Channel 1/2 Gain

Use these sliders to adjust the recording levels of your chosen channel 1 and 2 sources.

Audio Settings 2

The second page of the 'audio' tab contains the following settings.



Headphones Volume

This slider adjusts the output levels for headphones attached to the 3.5mm headphone jack. Move the audio slider left or right to adjust levels.

Speaker Volume

This slider adjusts the output levels for the built in speaker. Move the audio slider left or right to adjust levels.

XLR Phantom Power

Your camera's XLR input can provide 48V phantom power so you can use microphones that aren't self powered. When your camera is set to 'XLR' audio input, simply tap the 'phantom power' switch icon to enable phantom power.

Audio Meters

Select an 'audio meters' standard for the peak level meters.

Audio meter setting	Standard
PPM (-20 dBFS)	SMPTE RP.0155
PPM (-18 dBFS)	EBU R.68

NOTE It is standard practice to plug in your XLR cable before switching phantom power on. It is also important to switch phantom power to 'off' when you no longer have a phantom powered microphone connected. Connecting equipment that doesn't require phantom power when still in phantom power mode can damage your equipment, as the camera outputs a charge when in this mode. Phantom power can also take quite a while to discharge after switching it off.

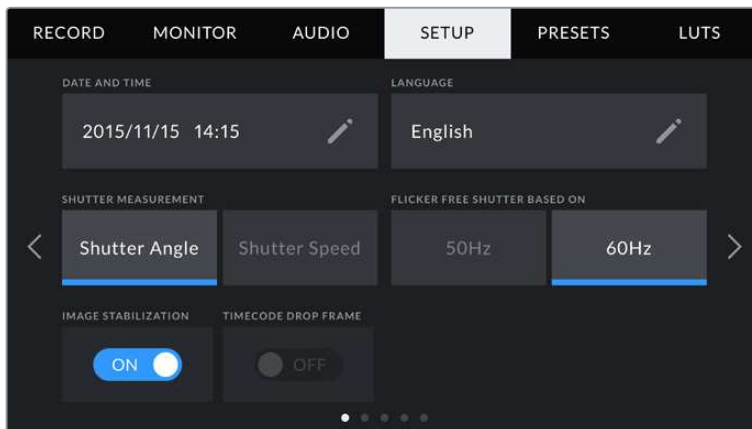
Please be aware that you should wait a few minutes when switching off phantom power before plugging in any other microphones or XLR audio equipment.

Setup Settings

The 'setup' tab contains your Blackmagic Pocket Cinema Camera's identification settings, software version, function button settings and other camera settings not directly linked to recording or monitoring. This menu has four pages, which you can cycle through by tapping the arrows at the edge of the LCD touchscreen, or swiping left or right.

Setup Settings Page 1

The first page of your camera's 'setup' tab contains the following settings.

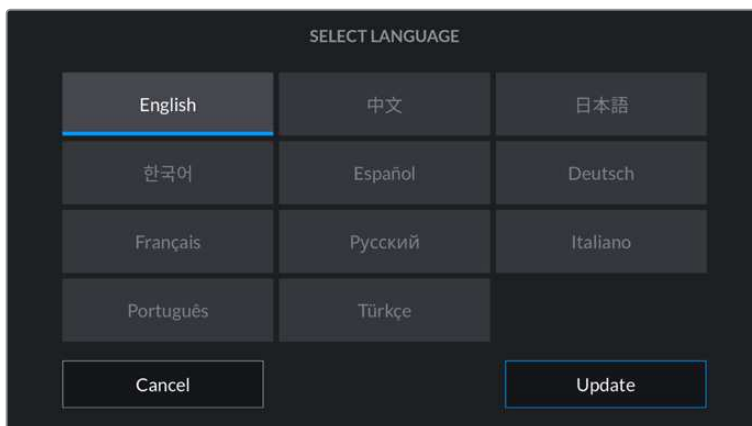


Date and Time

Set your camera's date and time by tapping the 'date and time' setting. The date format is year, month, day and the time format is 24 hour. Date and time are also used for time of day timecode if an external timecode source is not connected.

Language

Pocket Cinema Camera supports 11 popular languages: English, Chinese, Japanese, Korean, Spanish, German, French, Russian, Italian, Portuguese and Turkish.



The language page will also appear on initial start up.

To select your language:

- 1 Tap on the 'language' and select your language from the list.
- 2 Select 'update' to return to the setup menu.

Shutter Measurement

Use this setting to select whether to display shutter information as 'shutter angle' or 'shutter speed'.

It's worth mentioning that when using shutter angle, the shutter conforms to the frame rate. For example, 180 degrees produces the same motion blur, no matter which frame rate you use.

When using shutter speed, however, the shutter is given an absolute value determined independently of the frame rate, so the results differ if you change the frame rate.

For example, when shooting at 24 frames per second, a 1/48th of a second shutter speed produces pleasing motion blur at the equivalent of a 180 degree shutter angle. Change the frame rate to 48 frames per second and 1/48th of a second shutter speed no longer offers the same motion blur, now producing the equivalent of a 360 degrees shutter angle. In this example, when the frame rate is changed to 48 fps, you would also need to change the shutter speed to 1/96th of a second to produce the same effect as a 180 degree shutter angle.

Flicker Free Shutter Based On

Use this setting to change the mains power frequency your camera uses to calculate flicker free shutter settings.

When shooting under lights, your shutter can affect the visibility of flicker. Your Blackmagic Pocket Cinema Camera automatically calculates a flicker free shutter value for your current frame rate and suggests up to three shutter values. Shutter values are affected by the frequency of the local mains power supply used to drive those lights. In most PAL countries, this frequency is 50Hz, while NTSC countries typically use 60Hz power. Tap '50Hz' or '60Hz' to set the right frequency for your region.

NOTE Characteristics of various light sources may still cause flicker even when using flicker free shutter values. We recommend performing a test shoot when not using continuous lights.

Image Stabilization

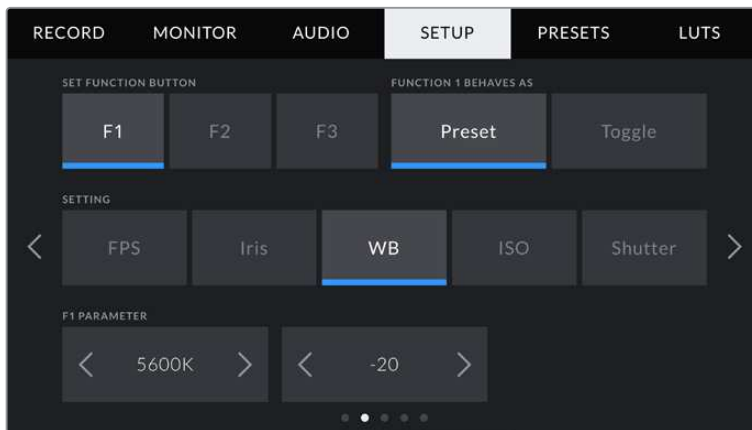
Pocket Cinema Camera 4K has an 'Image Stabilization' option to enable or disable image stabilization on lenses without a physical switch.

Timecode Drop Frame

Use the 'timecode drop frame' option to use drop frame timecode when using NTSC project frame rates of 29.97 and 59.94. Drop frame timecode skips a small number of frames from the timecode at set intervals. This keeps your project timecode accurate despite each second not containing a whole number of frames at NTSC frame rates.

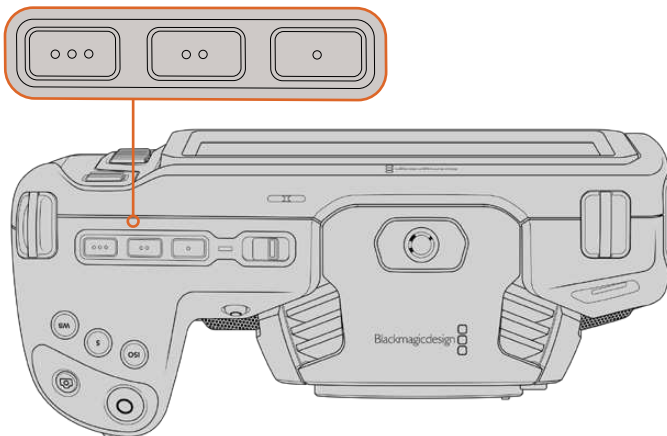
Setup Settings Page 2

The second page of the 'setup' tab contains the following settings.



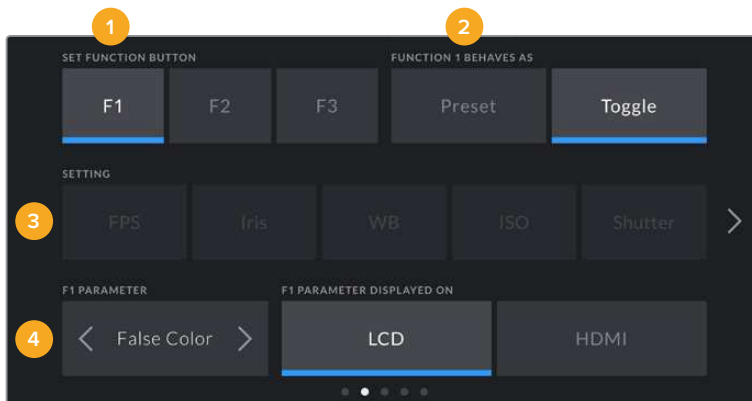
Set Function Button

On the top of your Blackmagic Pocket Cinema Camera you'll notice three function buttons. The dots on the buttons represent function 1, function 2 and function 3. These can be mapped to frequently used features and are quickly accessible when using your camera.



The function buttons are represented by dots and are located on the top of your camera

To set these buttons, select a function button and then the behavior, settings and parameters you want for that function.



1 Button 2 Behavior 3 Setting 4 Parameter

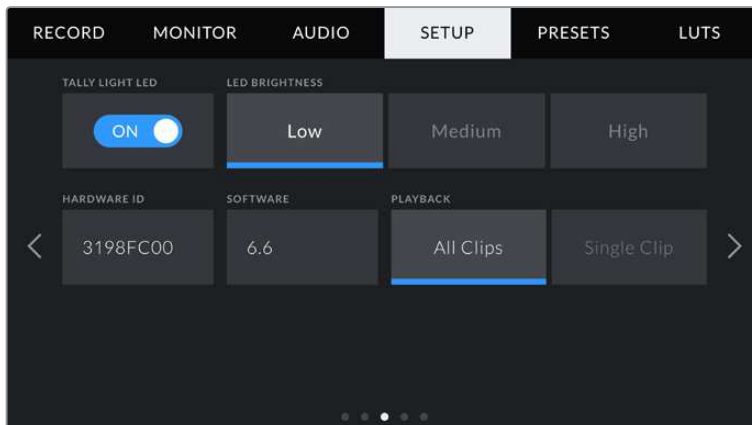
Function 1/2/3 Behaves as

Once you have selected the function button you want to map, you can select a behaviour. The available options are:

Preset	<p>When set to this behavior, pressing a function button recalls a combination of a setting and a parameter.</p> <p>To set a preset, select the setting you want to use from the 'setting' menu, and adjust that setting by tapping the arrow icons on either side of the 'parameter' menu.</p> <p>For example, to set the F1 button to recall a preset aperture of f8, select the 'preset' behavior, tap the 'iris' setting, and tap the arrows on either side of the 'parameter' menu until you get to f8. Tapping the preset again returns your camera to the previous setting.</p>
Toggle On/Off	<p>When set to this behavior, pressing a function button toggles a particular setting on or off. The 'setting' menu is greyed out in this mode. Instead, tap the left or right arrows in the parameter menu to scroll through the available options. These are 'off speed recording', 'ois', 'clean feed', 'display LUT', 'frame guides', 'focus assist', 'false color', 'zebra', 'grid' and 'safe area guide'.</p> <p>Use the 'Toggle On/Off' behaviour to select the output this setting applies to. Tap any combination of 'LCD' and 'HDMI' to select. If the output for an option cannot be selected, such as 'off speed rec' which always applies to all outputs, the separate 'LCD' and 'HDMI' settings are disabled.</p>

Setup Settings Page 3

The third page of the 'setup' tab contains the following settings.



Tally Light LED

Your Blackmagic Pocket Cinema Camera has a tally light on the front of the camera that illuminates red when your camera is recording. The tally light can be enabled or disabled by tapping the 'tally light LED' switch icon.

LED Brightness

To set the brightness of the tally light LED, tap 'low,' 'medium,' or 'high.'

Hardware ID

The 'Hardware ID' indicator displays an 8 character identifier for your Blackmagic Pocket Cinema Camera. This is unique to each camera. A longer, 32 character version of this ID is also included in the metadata for Blackmagic RAW and ProRes video. This can be useful for identifying which footage came from a particular camera.

Software

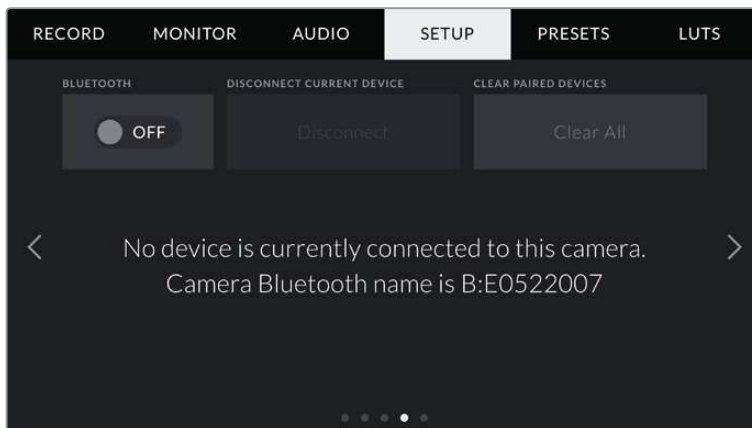
Displays the version number of currently installed software. See the 'Blackmagic Camera Setup Utility' section for more information on updating software.

Playback

This setting allows you to select whether to play back a 'single clip' or 'all clips' on the LCD touchscreen from SD card, CFast card or USB-C flash disk. 'All clips' plays back through all matching media sequentially, and 'single clip' plays one clip at a time. This also applies for the loop function. Selecting loop on 'all clips' plays through all of the clips on the recording media and then loop. Selecting 'single clip' loops one clip at a time.

Setup Settings Page 4

The fourth page of your camera's 'setup' tab contains these Bluetooth® settings.



The camera Bluetooth name will be the letter of your camera as selected in the slate, followed by the 8 character hardware ID for your camera

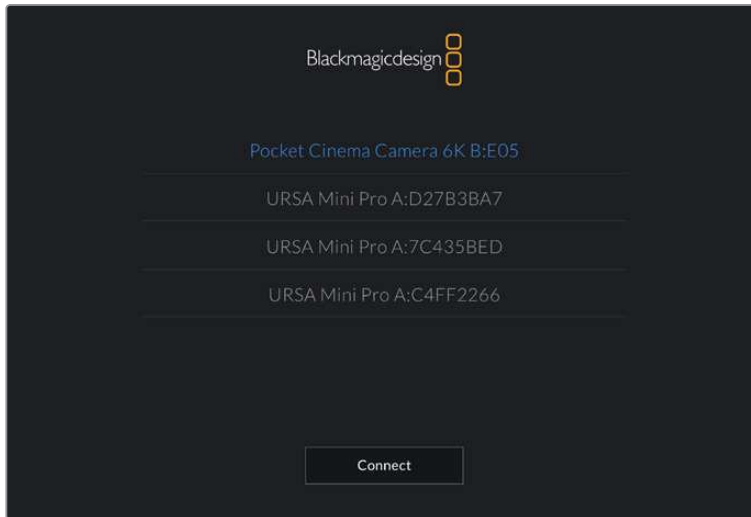
Bluetooth®

Bluetooth control lets you control your camera wirelessly from portable devices. Using the 'Blackmagic Camera Control App' you can change settings, adjust metadata and trigger record remotely from an iPad. Enable or disable Bluetooth by tapping the 'Bluetooth' switch icon in the 'setup' menu. When Bluetooth is enabled, the camera can be detected by Bluetooth devices up to 30 feet away. Your camera uses the same set of commands for Bluetooth control as it does for 'Blackmagic SDI Camera Control Protocol', so you can write your own applications to control almost every setting in the camera remotely. For example, monitoring options and audio settings, to the camera's inbuilt DaVinci Resolve color corrector or even lens control.

For more information see the 'Blackmagic Camera Control' document available at www.blackmagicdesign.com/au/developer/

To pair your camera with an iPad for the first time:

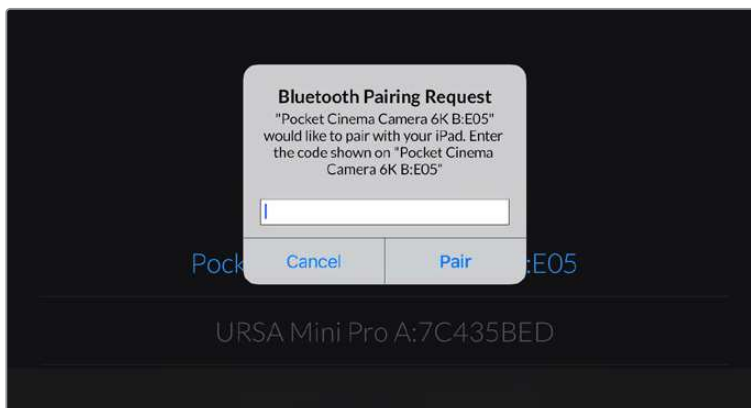
- 1 Enable Bluetooth by tapping the 'Bluetooth' switch icon in the 'setup' menu.
- 2 Open the 'Blackmagic Camera Control App' and select the camera you would like to pair it with. Available cameras are listed by a camera letter, followed by a unique hardware ID. For example A:A0974BEA.

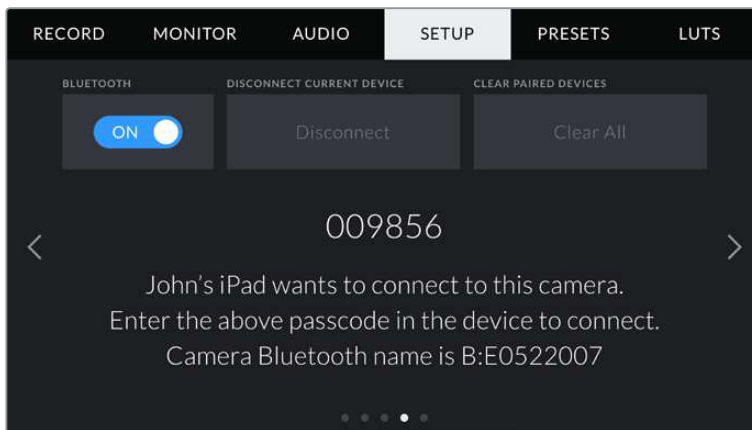


Select the Blackmagic Pocket Cinema Camera you would like to pair with

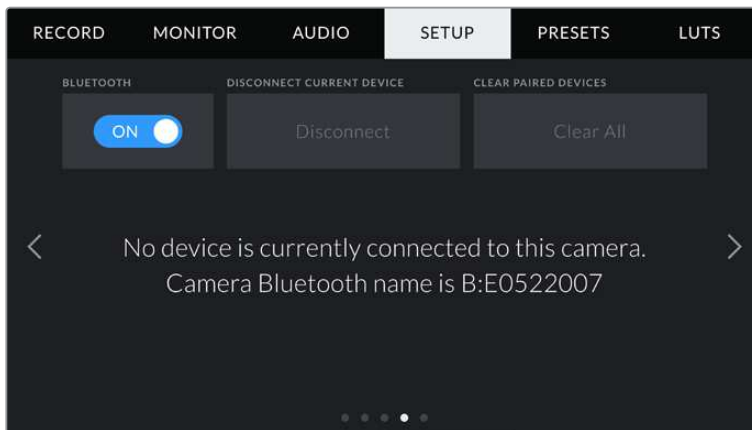
NOTE When you install the Blackmagic Camera Control App and run it for the first time, you will be asked if you want to 'allow location access.' If you select 'while using the app,' GPS readings from your iPad will be included in the metadata of the files you shoot, allowing you to geotag your footage. This information can be viewed in Blackmagic DaVinci Resolve version 15 or higher. If you do not want to allow the use of this information, select 'never.' To change settings, go to settings, privacy, location services, camera control on your iPad.

- 3 When you try to connect for the first time the Blackmagic Camera Control App will request a six digit code to pair with the camera. This code will be displayed on the camera's LCD screen. Type this code into the iPad and press 'pair'.

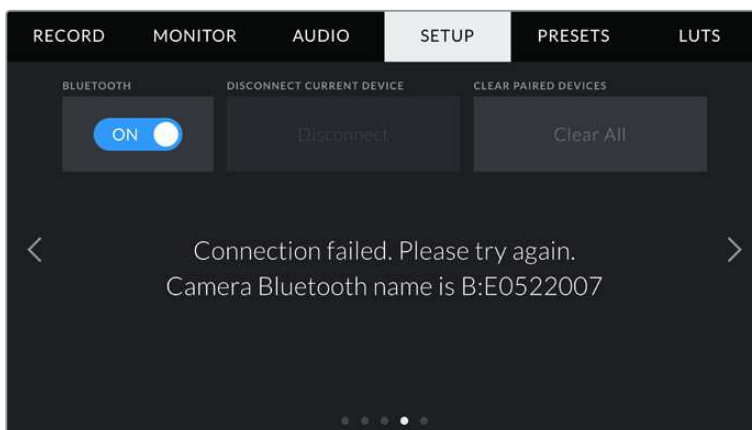




- 4 When your camera connects to your iPad, it confirms it is paired.



- 5 If pairing the camera to your iPad fails, the camera presents an error message. Try connecting again.



NOTE If you are not using Bluetooth to control your Blackmagic Pocket Cinema Camera, it is a good idea to turn Bluetooth off for the purpose of security.

Disconnect Current Device

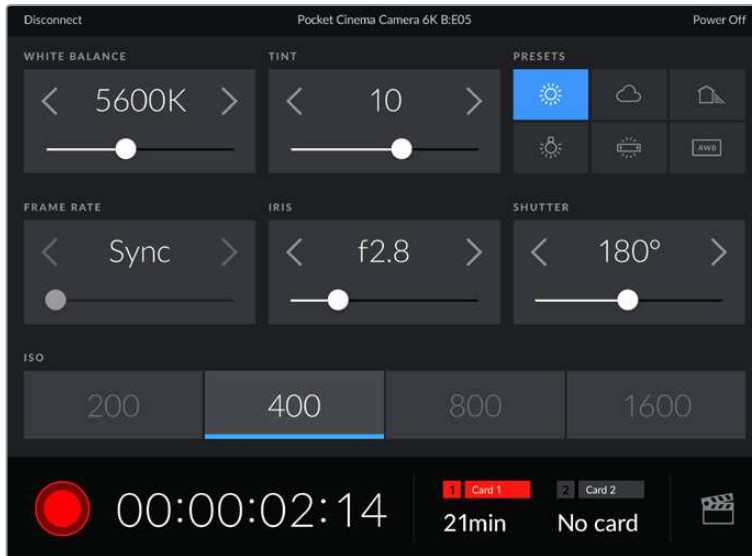
Use this setting to disconnect your Blackmagic Pocket Cinema Camera from the iPad it is currently paired with.

Clear Paired Devices

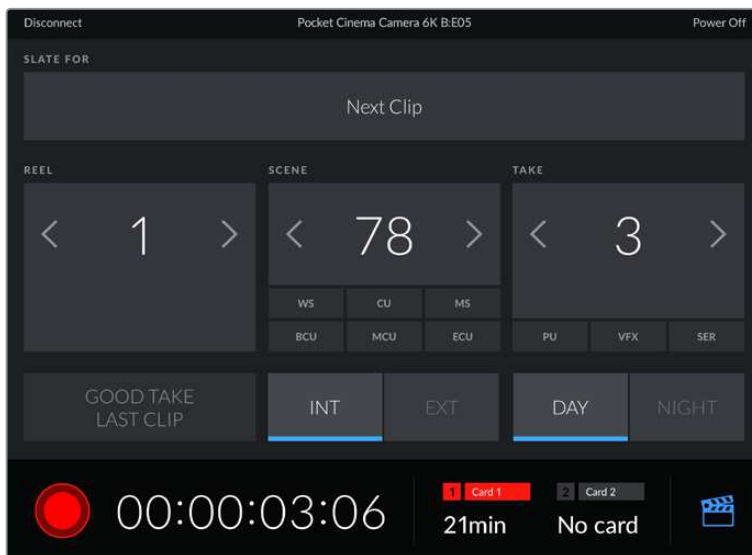
Use this setting to clear the list of devices that your camera has been paired with.

Controlling Your Camera with the Blackmagic Camera Control App

Once you have successfully paired your camera to your iPad, you can change settings, adjust metadata and trigger record remotely using the iPad app.



Once paired, the Blackmagic Camera Control app will display this screen, allowing you to adjust your settings and start recording

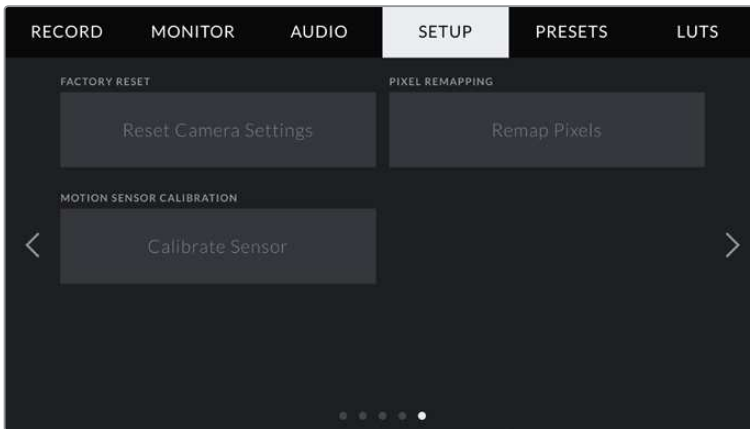


Tap the slate icon in the lower right corner to access and update the slate

Blackmagic Pocket Cinema Camera uses Bluetooth LE to communicate with devices for wireless control. This is the same type of protocol used in portable devices, and uses a minimal amount of battery power.

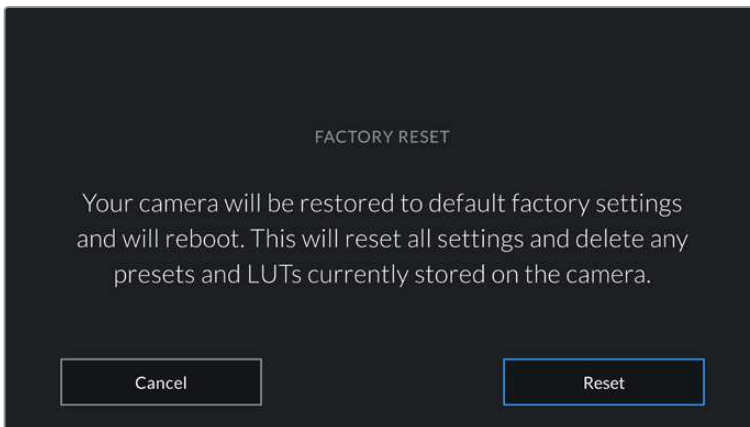
Setup Settings Page 5

The fifth page of the 'setup' tab has controls to perform a factory reset, remap pixels and to calibrate the horizon meter.



Factory Reset

To reset the camera to its default factory settings, tap the 'reset camera settings' button. On the confirmation page, tap 'reset' to confirm this action. Your camera erases any stored LUTs and presets, and resets all settings. It is a good practice to export your presets to a memory card as a backup before performing a factory reset. After a factory reset, you can restore your presets quickly by importing them from the memory card. It is important to note that a factory reset also resets the horizon meter, so you should recalibrate the motion sensor after a factory reset to help ensure its accuracy.



When selecting 'reset' you will be prompted to confirm your action

Pixel Remapping

The CMOS sensor used in your Blackmagic Pocket Cinema Camera is made up of millions of pixels that respond to light. Some pixels can change in brightness over time following sensor calibration in the factory. As a result, they become more visible and become what is known commonly as hot pixels. All camera sensors, regardless of manufacturer, will develop hot pixels.

To solve this, we have a calibration feature built into the camera which you can run if you see any hot pixels in the image.

To begin this process, simply put on the lens cap and run the pixel remapping feature by tapping the 'remap pixels' button. The process takes approximately one minute to complete.

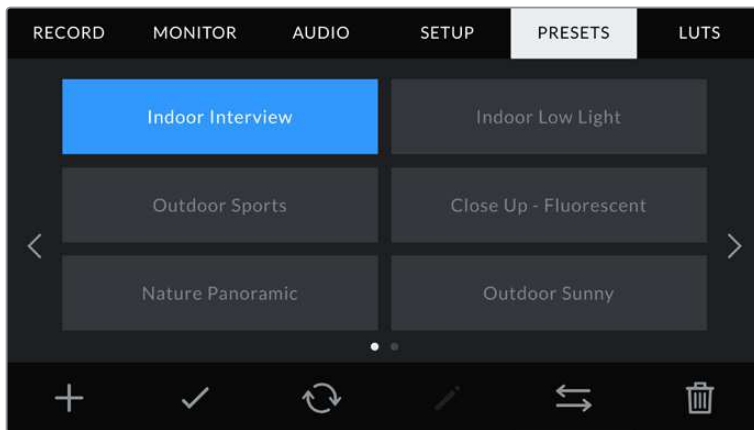
Motion Sensor Calibration

To calibrate the horizon meter, place your camera on a surface you know is level and tap the 'calibrate motion sensor' button. It is essential that you keep the camera stable during calibration. The process takes approximately five seconds to complete.

Presets

The 'presets' tab lets you save and recall up to 12 collections of settings. This is very useful when one camera is used for multiple projects. For example, you may use your camera for a variety of different shoots, from documentaries to music videos, with very different settings between types of projects. Your camera's 'presets' function lets you save the setup for a particular project or type of shoot and come back to it quickly and easily when required. You have 12 preset slots to use.

You can also import and export presets, which is very useful for setting up a multi camera shoot. Simply set up one Blackmagic Pocket Cinema Camera to suit your project, then export that preset for all the other Blackmagic Pocket Cinema Cameras on set.



The presets tab allows you to quickly switch between settings that you have saved

NOTE Your camera can save up to 12 presets to its internal memory.

Preset buttons

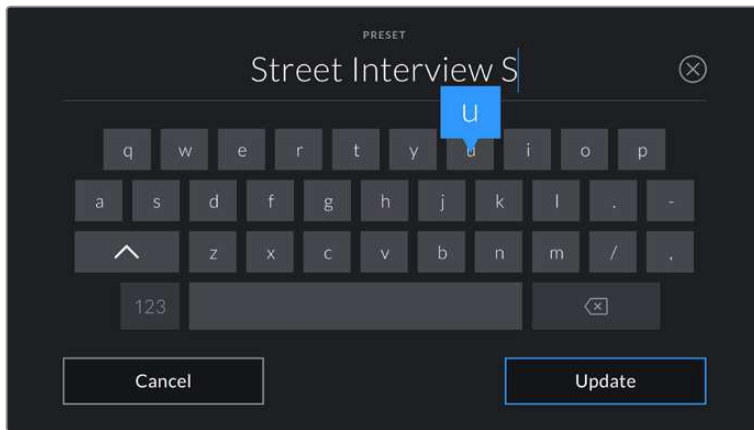
The button icons along the bottom of the 'preset' menu correspond with the following functions.

Add	Load	Update	Manage	Delete

Saving and loading presets

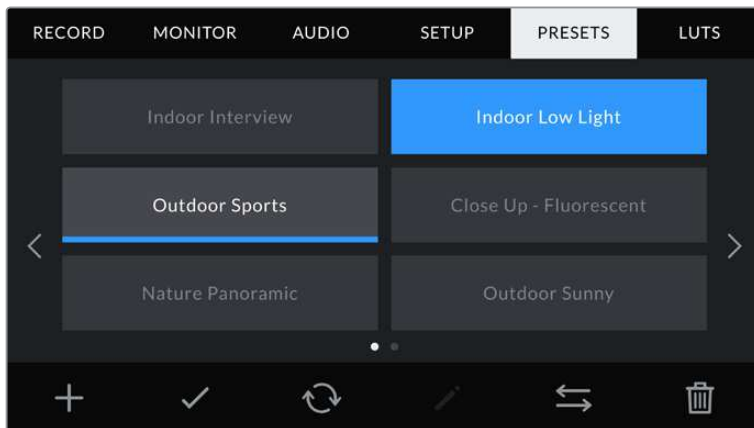
To create a new preset, tap the 'add' icon. This brings up a touch keyboard on your LCD where you can name your preset. Enter a name and tap 'update' to save all of your current settings to that preset.

If your camera already has a preset loaded with the same name, you can choose to overwrite the existing preset or keep both.



Enter a name for your preset by tapping the 'add' icon in the preset tab and using the touch keyboard

Once you have a preset saved, tap its name in the preset menu to select it. To load a preset, tap the 'load' icon.



Select a preset and tap the 'load' icon to load it. Selected presets will appear solid blue, while currently loaded presets have a blue line along the bottom of their icon

You can update a preset by tapping the 'update' icon. This will bring up a prompt asking you if you want to update the preset with your Blackmagic Pocket Cinema Camera's current setting. Tap 'update' to confirm.

Importing presets

To import a preset, tap the 'manage' icon at the bottom of the 'presets' menu. Tap 'import presets', then tap 'import' to confirm. This brings up the presets import screen. If your preferred preset is not on the active card or drive, switch between recording media by tapping a media button at the top of the touchscreen. You can import presets from a USB-C flash disk, CFast or SD card.

Your camera searches the root directory and 'Presets' folder on your selected media, and lists available presets. Any presets you have saved elsewhere are not visible.

Tap a preset to select it, then tap 'import' to confirm your selection and copy it to the next available slot on the camera.

NOTE If all 12 of your camera's preset slots are full, the import menu is unavailable, and you need to delete an existing preset to make room.

If the preset you want to import has the same name as a preset already saved to your camera, you can choose to overwrite the existing preset or keep both. At the top right of this screen, you'll see the number of remaining empty preset slots available on your camera. You are able to import as many presets as you have free slots on your camera.

Exporting presets

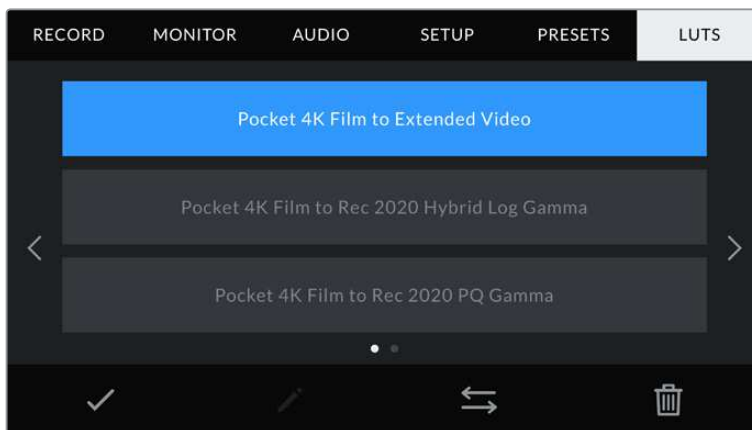
To export a preset to a card or USB-C flash disk, tap the preset you want to export, then tap the 'manage' button. Tap 'export selected preset', then tap the media where you want to export the preset. If a preset with the same name is already present, choose whether to overwrite the preset or keep both. The camera exports the preset to a 'Presets' folder.

Deleting presets

To delete a preset, select it and tap the 'delete' icon. When you are prompted to confirm your choice, tap 'delete'.

3D LUTs

The 'LUTs' menu lets you import, export and apply 3D LUTs to your camera's outputs.



Select a 3D LUT using your camera's LUTs tab

Introducing 3D LUTs

3D LUTs can be applied to images on your camera's LCD touchscreen and HDMI output. LUTs work by telling your camera what color and luminance output to show for a particular color and luminance input. For example, a LUT may tell your camera to display a vibrant, saturated blue when it receives a relatively dull blue input. This can be useful when shooting Blackmagic RAW footage, or using 'film' dynamic range, both of which have an intentionally undersaturated, 'flat' appearance. By applying a LUT, you can get an idea of what your footage will look like after it has been graded.

It is easy to create 3D LUTs using DaVinci Resolve or other color correction software, and LUTs are available online from a variety of sources. Up to 10 17 point or 33 point 3D LUTs up to 1.5 megabytes each can be stored on the camera. Once loaded, you can choose to display a given LUT on your camera's LCD touchscreen and HDMI output.

Your Blackmagic Pocket Cinema Camera supports 33 point 3D LUTs in .cube format created in DaVinci Resolve and 17 point 3D LUTs converted to Resolve .cube format via LUT conversion programs. Your camera processes 3D LUTs using high quality tetrahedral interpolation.

TIP For more information on displaying LUTs, see the 'monitor settings' section in this manual.

NOTE Your Blackmagic Pocket Cinema Camera does not apply, or 'bake in,' LUTs by default to recorded footage, however you can choose to 'bake in' the LUT to your footage.

This can be a useful option for situations where you do not have the time to grade your footage in post-production, or where you need to give the footage directly to a client or an editor.

When you are using LUTs as a preview tool on set, the information on the LUT applied is saved as metadata with your recordings. DaVinci Resolve can display this information in the 'LUT used' field in the metadata tab, which can be helpful for colorists to verify the name of the LUT that was used on set.

Built-in LUTs

A number of built in LUTs are provided that allow you to preview different looks when shooting in 'film' dynamic range or Blackmagic RAW.

Each camera provides LUTs that are specific to the sensor:

Pocket 4K Film to Extended Video / Pocket 6K Film to Extended Video

Displays a wider dynamic range than the 'Pocket 4K Film to Video' or 'Pocket 6K Film to Video' LUT, and applies a mild contrast change with a smooth roll off in the highlights.

Pocket 4K Film to Rec 2020 Hybrid Log Gamma / Pocket 6K Film to Rec 2020 Hybrid Log Gamma

Displays a hybrid between REC 709 and a log image.

Pocket 4K Film to Rec 2020 PQ Gamma / Pocket 6K Film to Rec 2020 PQ Gamma

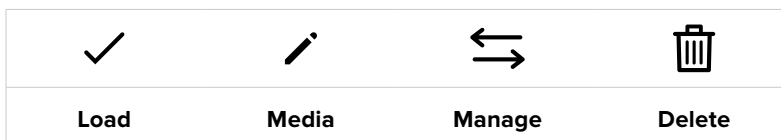
Displays a gamma curve that is based on what we can perceive with our eyes, for efficient encoding of HDR images.

Pocket 4K Film to Video / Pocket 6K Film to Video

Similar to the REC 709 color standard for high definition video, and has a high level of contrast and saturation. You may find this setting useful when using Blackmagic Pocket Cinema Camera alongside other broadcast cameras using the REC 709 color space.

LUTs buttons

The button icons along the bottom of your camera's 'LUTS' screen correspond to the following functions:



Importing LUTs

To import a 3D LUT, tap the 'manage' icon at the bottom of the 'LUTs' menu. Tap 'import LUT', then tap 'import' to confirm. This brings up the LUT import screen. If your preferred 3D LUT is not on the active card or drive, switch between recording media by tapping a media button at the top of the touchscreen. You can import LUTs from a USB-C flash disk, CFast or SD card.

Your camera searches the root directory and '3DLUTs' folder on your selected media, and lists available LUTs. Any LUTs you have saved elsewhere are not visible.

Tap a LUT to select it, then tap 'import' to confirm your selection and copy it to the next available slot on the camera.

NOTE If you want to import a new LUT but all 10 3D LUT slots are full, you need to delete an existing LUT to make space.

If the LUT you want to import has the same name as a LUT already saved to your camera, you can choose to overwrite the existing LUT or keep both. At the top right of this screen, you'll see the number of remaining empty LUT slots available on your camera. You are able to import as many LUTs as you have free slots on your camera.

NOTE If you have trouble importing a LUT, it may be the wrong size. You can use a LUT editor like Lattice to check its size, or open it in any text editor on your computer. Next to the tag 'LUT_3D_SIZE' is a number indicating the LUT's size. If this value is not 17 or 33, you can use Lattice to resize your 3D LUT to 17 points.

Applying a LUT

Once you have a LUT saved onto your camera, tap it in the LUT menu to select it, and tap the 'load' icon. This enables the LUT for all outputs on your camera. To display the loaded LUT on your camera outputs, switch on 'display LUT' in the monitor menu. See the 'monitor settings' section for more information.

Exporting LUTs

To export a LUT to a card or USB-C flash disk, tap the LUT you want to export, then tap the 'manage' button. Tap 'export selected LUT', then tap the media where you want to export the LUT. If a LUT with the same name is already present, choose whether to overwrite the LUT or keep both. The camera exports the LUT to a '3DLUTs' folder.

Deleting LUTs

To delete LUTs you are no longer using or make room for more, select the LUTs you want to delete and tap the delete icon. When you are prompted to confirm your choice, tap 'delete'.

Embedded 3D LUTs

When a 3D LUT is used while shooting Blackmagic RAW on Blackmagic Pocket Cinema Camera, the selected LUT will be embedded into the Blackmagic RAW file that you are recording. The 3D LUT is actually saved with your recorded files in the header of the .braw file, and can easily be applied to footage in post production without needing to handle a separate file.

So when Blackmagic RAW files are delivered to an editor or colorist, they will be able to easily access the LUT that was used while filming, which greatly reduces the possibility that the wrong 3D LUT could be applied to a clip. They can then choose whether to apply the 3D LUT when editing or color grading the footage, and can disable the 3D LUT at any time.

When the 'apply LUT in file' switch is set to 'on' in the record menu, the recorded clip will open in Blackmagic RAW Player and DaVinci Resolve with the chosen 3D LUT already applied to it.

The 3D LUT can then be easily toggled 'on' or 'off' but will always travel with the Blackmagic RAW file as it is written into the clip itself. DaVinci Resolve also has an 'Apply LUT' switch in the RAW settings palette for enabling or disabling the 3D LUT in the Blackmagic RAW file.

The 'Apply LUT' setting in DaVinci Resolve is the same setting as in the camera. This means that when shooting you can direct the colorist to use the LUT by setting it in the camera, but they can switch it off easily in DaVinci Resolve by setting 'Apply LUT' to 'off'.

Entering Metadata

Metadata is information saved inside your clip, such as take numbers, camera settings and other identifying details. This is extremely useful when sorting and processing footage in post production. For example, take, shot and scene numbers are essential organisational tools, while lens information can be used to automatically remove distortion or better match VFX assets to plates.

Your Blackmagic Pocket Cinema Camera automatically saves some metadata to each clip, such as camera settings, timecode, date and time. You can use your camera's slate to add many additional details.

Slate

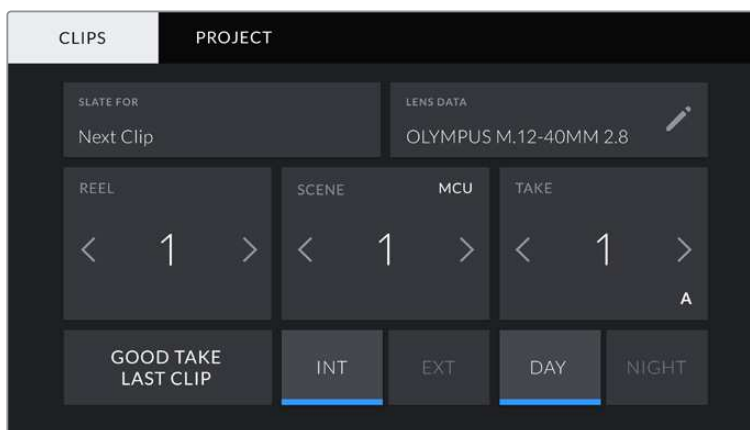
Swipe left or right on your camera's touchscreen from the main view to bring up the slate.

The slate is divided into 'clip' and 'project' tabs. The 'clip' tab contains information that may vary clip by clip, while 'project' is where you enter details common between clips, such as the project name, director, and camera and operator ID.

TIP Metadata entered into the slate is viewable on the HDMI output when set to 'director view.' See the 'monitor settings' section in this manual for more information.

'Clip' metadata

Making changes to clip metadata works differently in standby mode to playback mode. In standby mode, when your camera is ready to record, clip metadata gets saved to the next clip recorded, except the 'good take last clip' button applies a 'good take' tag to the most recently recorded clip. In 'playback' mode, when you are reviewing footage already shot, the 'good take' button is shown and clip metadata is always attached to the current clip being viewed.



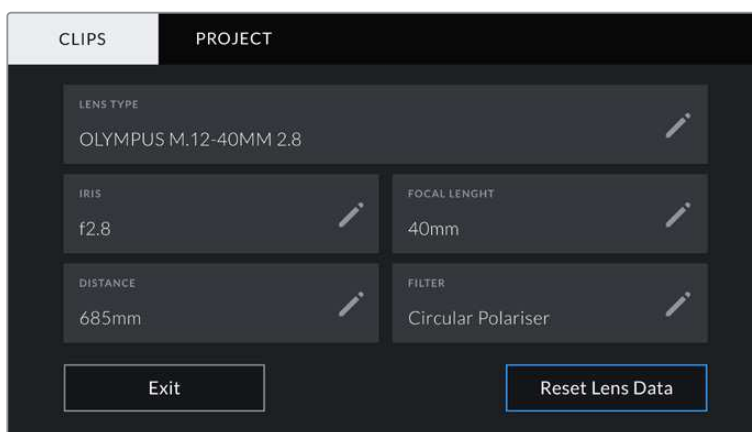
When the camera is in playback mode, 'slate for' identifies the clip the slate applies to and shows the 'good take' button. In standby mode, the slate is for 'next clip' and shows the 'good take last clip' button.

Slate for

This setting shows the clip which the metadata currently displayed in the 'clip' applies to. In 'playback' mode it applies to the current clip, and in 'standby' mode it refers to the next clip you record.

Lens Data

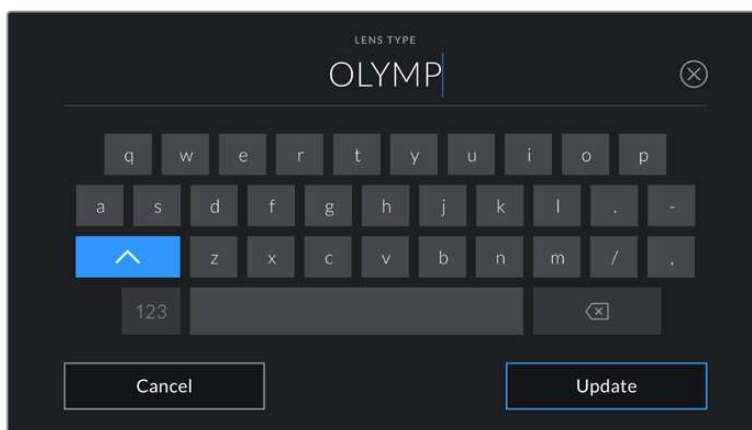
These settings display information about the current lens fitted to your camera. Many electronic lenses automatically supply information such as the lens model, aperture and focal length. If you are using a lens that does not provide this information, or you want to enter additional data, you can tap the pencil icon in this setting to enter the information manually. This will bring up the 'lens data' menu, which contains the following information:



The 'lens data' menu showing information automatically populated from an attached lens, and filter information that has been manually entered

• Lens Type

Shows the lens model. If your lens type is not automatically shown here, you can tap this setting to enter the data manually. Your camera has an internal database stored for many commonly used lenses, so if you need to enter data manually, your camera will suggest names automatically as you type. This makes entering data much faster.



Use the touch keyboard to enter lens data if it is not provided automatically

• Iris

Shows the iris aperture setting at the start of your clip. This information can be displayed in f- or T-stops depending on the lens used, if supplied automatically. Tap this setting to enter data manually.

- **Focal length**

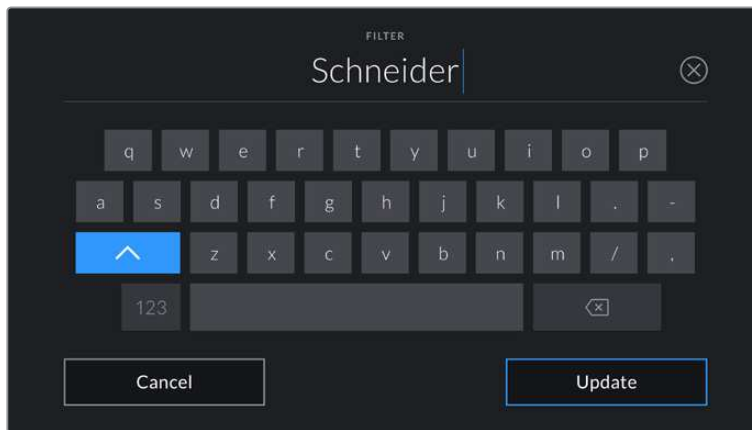
Shows the focal length setting of the lens at the start of the recorded clip. When automatically supplied, this is shown in millimeters. Tap this setting to enter the focal length manually.

- **Distance**

Shows the focus distance settings of the lens for the recorded clip. Some lenses can provide this data automatically and it will be provided in millimeters. You can also enter this data manually.

- **Filter**

Shows the current lens filters used. Tap this setting to enter data manually. You can make multiple entries separated by commas.



Filter information needs to be entered manually

NOTE You can clear lens data at any time by tapping the 'reset lens data' icon in the 'lens data' menu. You will be prompted to confirm your choice. If you confirm, all lens data will be cleared and repopulated with any lens data automatically provided by the currently fitted lens. If you have manually entered any information into these fields, you will need to reset the lens data the next time you mount a lens, otherwise the manually entered value will remain.

Reel

Displays the current reel.

Your Blackmagic Pocket Cinema Camera automatically increments reel numbers, so there is usually no need to enter this manually. When you are moving to a new project and want to start from reel '1' again go into the project tab of the slate and tap 'reset project data'.

Scene

The 'scene' indicator shows the current scene number, and can also show the current shot number and type.

The number on this indicator always refers to the current scene. You can adjust it with the left and right arrows on either side of the scene number, or tap the scene number to enter the scene number editor.

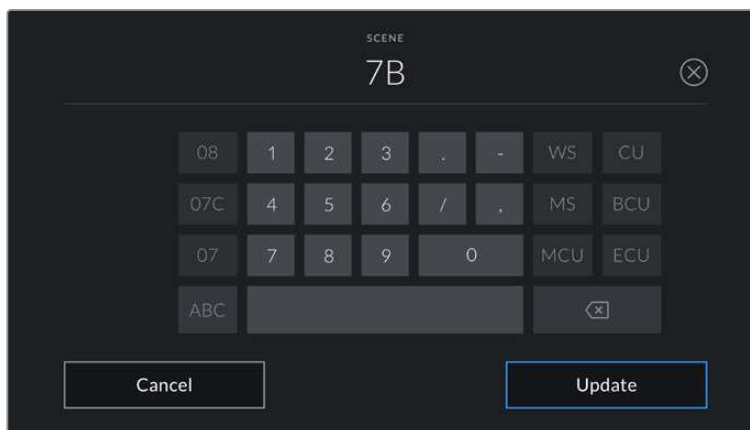
Scene numbers range from 1 to 9999.

By adding a letter to the scene number in the scene number editor, you can also indicate the current shot. For example 23A indicates scene twenty three, shot one. If you have a shot letter added to your scene number, your camera suggests the next scene number and shot letter whenever you enter the scene number editor. For example, if your current scene number is 7B, the camera suggests '8' and '7C'.

The scene number indicator can also show information about the current shot type in the top right corner. You can select these in the scene number editor at the right hand side of the shot keyboard.

The shot types available are:

WS	wide shot
MS	medium shot
MCU	medium close up
CU	close up
BCU	big close up
ECU	extreme close up



When entering 'scene' metadata, the camera prompts you with scene number suggestions to the left of the touch keyboard, and shot types to the right

Take

The 'take' indicator shows the take number for the current shot. You can adjust it by tapping the left or right arrows on either side of the take number, or tapping the indicator to enter the take number editor.

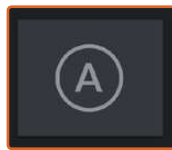
TIP When the shot number or scene letter advance the take number reverts to '1.'

You can add descriptions in the take number editor. These are on the right of the take number keyboard and correspond to the following scenarios:

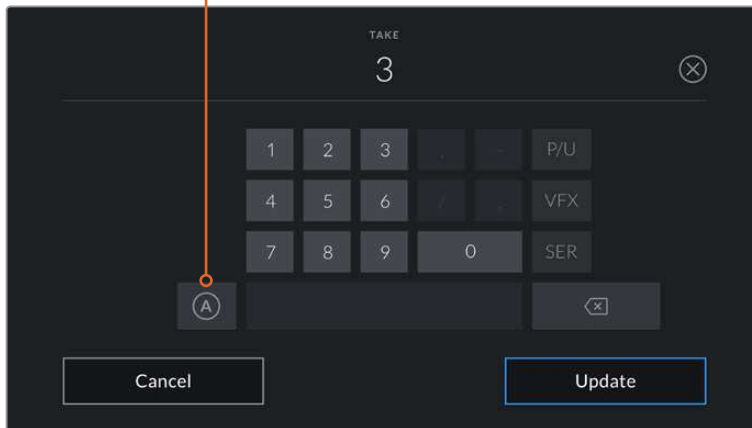
P/U	'Pick up.' This refers to a reshoot of a previous take to add additional material after principal photography has wrapped.
------------	--

VFX	'Visual effects.' This refers to a take or shot for visual effect use.
------------	--

SER	'Series.' This refers to a situation in which multiple takes are shot while the camera is kept running.
------------	---



Tap 'A' to enable 'auto take increment' when in 'standby' mode. This will automatically advance the take number for each clip recorded. A small 'A' appears next to the take number on the slate when enabled.



When entering 'take' metadata, your Blackmagic Pocket Cinema Camera will offer prompts for additional shot types to the right of the touch keyboard

Good take

Tap the 'good take' indicator to tag good takes for easy recall in post production. This button applies the 'good take' tag to the clip currently being viewed in 'playback' mode. If the camera is in 'standby' mode and ready to record, the 'good take last clip' button applies a 'good take' tag to the last clip recorded.

Int / Ext

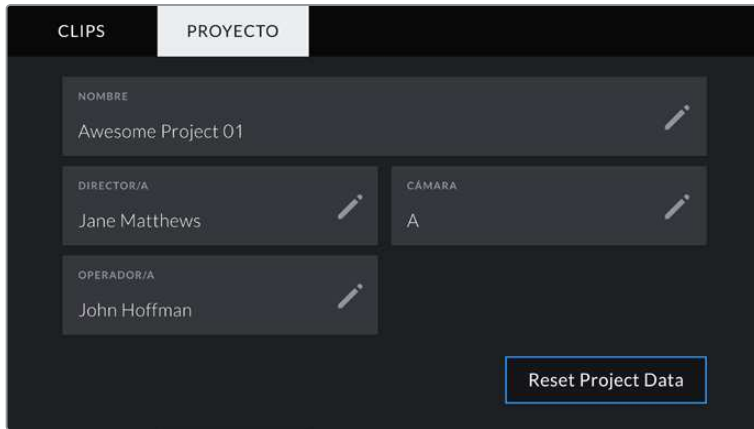
Tap 'int' or 'ext' to add a 'interior' or 'exterior' tag to the next clip in standby mode, or the current clip in playback mode.

Day / Night

Tap the 'day' or 'night' icons to add a 'day' or 'night' tag to the next clip in standby mode, or the current clip in playback mode.

‘Project’ Metadata

Project metadata behaves the same way whether you are in ‘standby’ or ‘playback’ mode. This metadata always refers to your project as a whole and is independent of clip numbers.



Enter project details using your camera's ‘project’ slate tab

Project name

Displays your current project name. Tap the pencil icon to change the project name.

Director

Displays the director's name for the current project. Tap the pencil icon to change the director name.

Camera

Displays a single letter camera index. Tap the pencil icon to change the camera index.

Camera Op

Displays the camera operator. Tap the pencil icon to change the camera operator name.

Camera Video Output

HD Monitoring Output

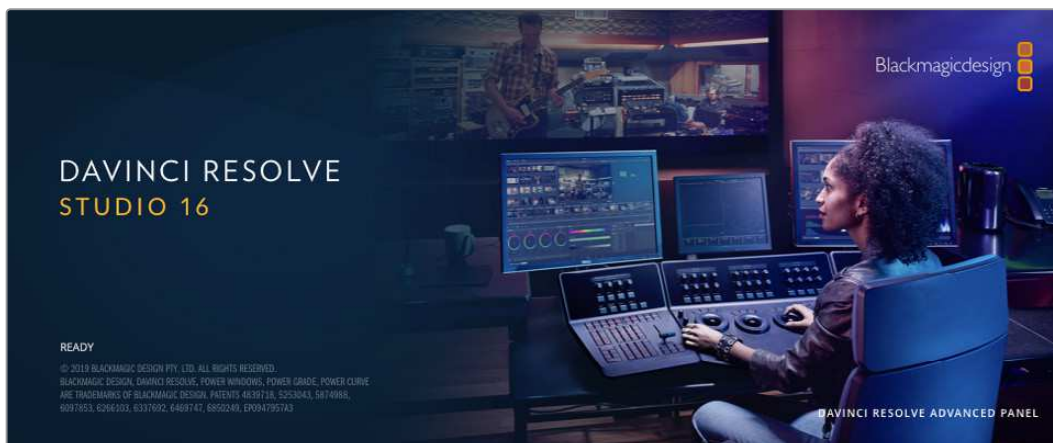
The camera's full size HDMI connector outputs 1080p HD video so you can easily connect to monitors or even consumer television sets to preview your images. This 10-bit output also supports HDR and on screen overlays showing full camera status, making it perfect for on set monitoring.

HDMI monitoring can be helpful when accessing the LCD is impractical, such as when the camera is secured high on a jib arm, on a crane, or mounted on a vehicle. Monitoring information is displayed on your HDMI output by adjusting the HDMI overlays options in the display settings menu. HDMI overlays provide frame guides and information such as recording details and camera settings. If you simply want to monitor your shots, you can always turn overlays off for a clean HDMI output.

By using a converter like the Blackmagic Micro Converter HDMI to SDI, you can convert the signal to SDI, allowing you to connect to SDI monitors, capture devices, broadcast switchers and other SDI devices. You can even power the Blackmagic Micro Converter HDMI to SDI via your Blackmagic Pocket Cinema Camera's USB port.

Using DaVinci Resolve

Shooting with your Blackmagic Pocket Cinema Camera is only part of the process of creating film and television content, and just as important is the process of media backup and management as well as editing, color correction and encoding final master files. Your Blackmagic Pocket Cinema Camera includes a version of DaVinci Resolve for macOS and Windows so you have a complete solution for shooting and post production!



NOTE We recommend using the latest version of DaVinci Resolve for accurate color treatment of clips shot using Pocket Cinema Camera. Version 16 or later will provide accurate color for all Blackmagic cameras and the latest Blackmagic RAW features.

After connecting your CFast, SD card or SSD to your computer, you can use DaVinci Resolve's 'clone' tool, in the 'media' page, to create running backups as you shoot. This is recommended as any type of media is susceptible to becoming damaged or developing a fault so creating backups means your shots will be immune to loss. Once you have used DaVinci Resolve to backup your media, you can then add your clips to the DaVinci media pool, then edit, color correct, and finish your production without ever having to leave DaVinci Resolve.

DaVinci Resolve is the same tool used on most major blockbuster movies, so it's much more than a simple NLE software tool, as it has extremely advanced technology built in for high end digital film. You get the advantage of this technology when you use DaVinci Resolve to edit and color correct your work.

Included here is information on how to get started using DaVinci Resolve with your camera files. Of course, DaVinci Resolve is extremely advanced and includes a lot more features than you immediately see when first looking at its user interface. To learn more about how to use DaVinci Resolve, please check for the DaVinci Resolve instruction manual on the Blackmagic website, where you can also find many training courses and tutorial videos.

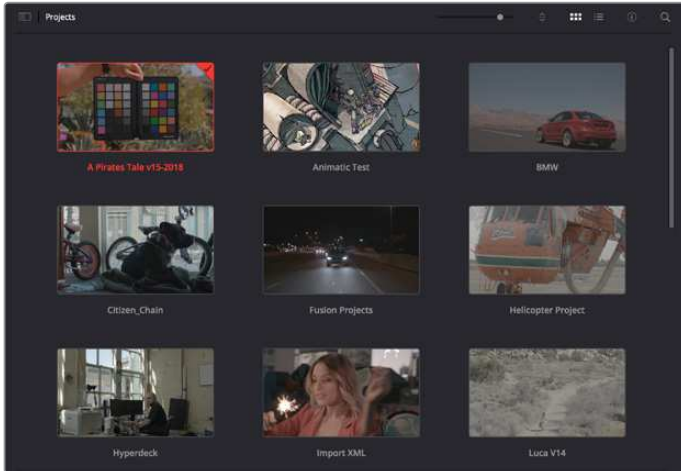
Project Manager

Before you import your clips and start editing, you will need to set up your project using the project manager.

The project manager is the first screen you will see when launching DaVinci Resolve, but you can open the manager at any time by clicking on the 'home' icon at the bottom right of the user interface. This is helpful when you want to open previous projects and create new ones.

To create a new project, click on 'new project' at the bottom of the window and give your project a name. Click 'create'.

Using the 'cut' page, you can start working on your edit immediately.



The project manager shows all projects belonging to the current user

For more information about the Project Manager, refer to the DaVinci Resolve manual which is available to download on the Blackmagic Design website support page.

Editing with the Cut Page

The 'cut' page gives you a fast, dynamic editing workflow that lets you quickly assemble, trim and edit clips efficiently.

Two active timelines let you work with your entire edit plus a detailed area simultaneously. This means you can drop clips anywhere on a large timeline, then refine your edit in a detailed timeline within the same workspace. Using this workflow, you can edit on a laptop without needing to zoom in and out and scroll as you work, which can be an enormous time saver.

The Cut Page Layout

When you open the cut page, you will see the media pool, viewer window and timeline. These three primary windows give you complete control over your edit.



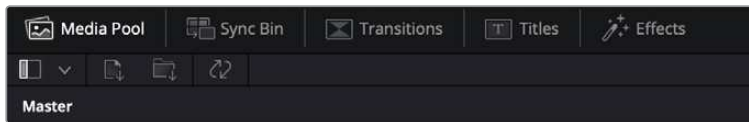
The 'cut' page default workspace, with the media pool in icon view

For more information on the Cut page, see the 'Using the Cut Page' chapter in the DaVinci Resolve manual.

Media Tabs

At the top left corner of the user interface you will see five tabs.

Click on these tabs to open the media toolsets you will use when creating your edit. For example, the first tab is the media pool and you can see it is already selected. The other tabs are for the sync bin, media transitions, titles and effects.



- **Media Pool:** The media pool contains all your clips, folders and files you imported using the media page. You can also import files directly from the cut page, so you don't have to go back to the media page if you want to import a new clip.
- **Sync Bin:** This powerful feature automatically syncs all your clips via timecode, date and time so you can choose angles from all cameras on a multi camera project.
- **Transitions:** If you click on the neighboring transitions tab, you will see all the video and audio transitions you can use in your edit. These include common transitions such as cross dissolves and motion wipes.
- **Titles:** Next to transitions is the 'titles' tab. Here you can select the title type you want to use. For example a scroll, standard text or lower thirds title. There are also a list of Fusion templates you can use for more animated dynamic titles which can be customized in DaVinci Resolve's 'Fusion' page.
- **Effects:** The fifth tab is the 'effects' tab. This provides all the different filters and effects you can use to bring more life to your edit, for example customizable blurs, glows and lens effects. There are many powerful effects to choose from and you can find them quickly using the search tool.

TIP Use the search tool near the media tab icons to find the exact items you are looking for. For example, if you have the transitions tab selected, type "dissolve" in the search tool and only dissolve transition types will be shown in the viewer, making it quicker for you to find the dissolve transition you want.




Viewer Tabs

In the top left corner of the viewer window you will see the viewer mode buttons.



The viewer mode buttons

These buttons control which viewer is currently being used, including 'source clip', 'source tape', and 'timeline'. These viewer modes give you an enormous amount of control when selecting clips for your edit and it's worth spending a moment to look at how they work.



	Source Clip	The source clip viewer displays a single clip from the media pool and you can set in and out points along the entire length of the viewer timeline. This gives you greater control. Select a source clip to view by double clicking on a clip in the media pool, or dragging it into the viewer.
	Source Tape	Source tape lets you view all the source clips in the media pool. This powerful feature is helpful if you want to quickly search through all your clips to find a specific event. As you scrub the playhead over the clips, you will see their thumbnails selected in the media pool. This means once you have found the clip you want to edit, you can click on the source clip tab and its corresponding source clip will appear in the viewer automatically. The source tape viewer really lets you take advantage of non-linear editing, giving you the freedom to work on your edit, find shots quickly, try new ideas and stay in the moment.
	Timeline	The timeline viewer lets you view the edit timeline so you can play back your project and refine your edits.

Importing Clips to the Media Pool

Now you can start importing media into your project. You can do this in the media pool window of the cut page using the import tools at the top.



Select one of the import options to add media to your project

	Import Media	The import media option will import individual media files selected from your storage location.
	Import Media Folder	To import a folder from your media storage, select the import folder option. When importing a folder, DaVinci Resolve will keep the file structure, treating each folder as a separate bin so you can navigate between bins to find your videos and other media files.

To import media:

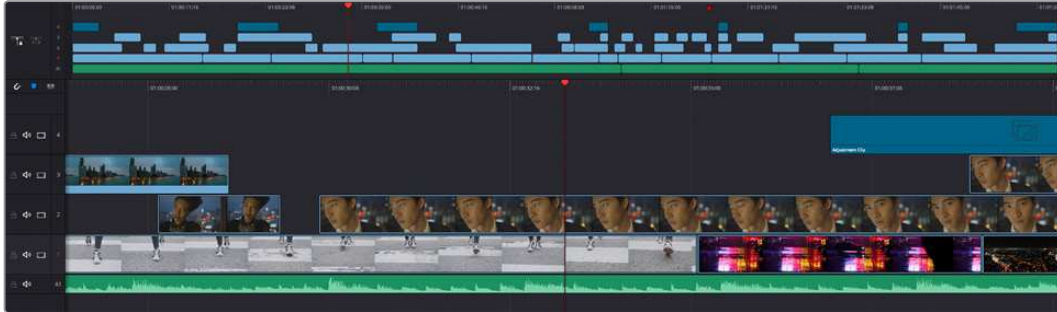
- 1 Click on the 'import media' or 'import media folder' icon.
- 2 Navigate to your media storage for the media you want to import.
- 3 Select the file or folder and click 'open'.

Once you've added media to your project, it is a good time to save your changes. DaVinci Resolve features a fast, on the go autosave called 'live save'. Once you save you project once, 'live save' will save further changes as you make them, removing the risk of losing your work.

For more information on 'live save' and other auto save functions, refer to the DaVinci Resolve Manual.

Adding Clips to the Timeline

Now that you are familiar with the media tabs and viewer mode buttons, you can open the media pool and quickly start adding clips to your timeline.



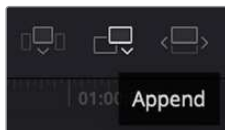
The timeline of the cut page, comprising the upper timeline and the zoomed in timeline below

The timeline is where you will build your edit and is like a board with tracks you can attach clips to, move them around and trim their edits. Tracks let you layer clips over others which gives you more flexibility to try different edits and build transitions and effects. For example, you can try an edit with a clip on one track without affecting other clips on tracks below it.

There are different ways to add clips to the timeline, such as smart insert, append, place on top and more.

Appending Clips

When selecting takes and assembling an edit, you will likely want to add these shots to your timeline one after the other. The append tool is perfect for this task and will get you editing very fast.



Click on the append icon to quickly add clips to the end of the last clip

To append a clip:

- 1 Double click on a clip in the media pool to open it in the viewer.
- 2 Using the scratch trim tool, drag the in and out points to select the precise duration of your shot. You can also press the 'i' and 'o' keyboard shortcuts to set in and out points.

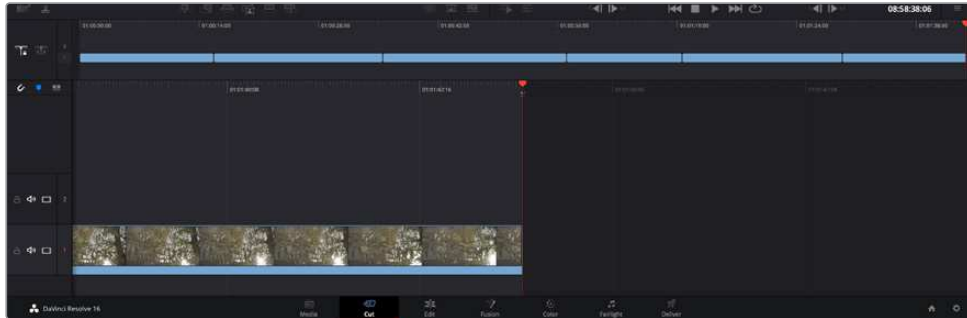


- 3 Now click the 'append' icon underneath the media pool.



Your first clip will be placed at the head of the timeline.

Repeat steps 1 to 3 to keep adding more clips and they will automatically append, ensuring there are no gaps in the timeline.



Appending clips ensures there are no gaps between them on the timeline

TIP You can speed up the process further by assigning a keyboard shortcut to the 'append' icon. For example, if you assign the 'P' key, you can set your in and out points using 'I' and 'O' then press 'P' to append the clip. Refer to the DaVinci Resolve manual for information on how to assign shortcut keys.

Editing Clips on the Timeline

With clips added to the timeline, you have complete control to move them around and trim edits.

To trim an edit, hover the mouse over the start or end of a clip, then click and drag it left or right. For example, drag the end of the clip left or right to decrease or increase its duration. You might notice that all clips after that edit will shift on the timeline to accommodate the new adjustment. This is one way the 'cut' page helps to save you time.

You can even pick the clip up and drop it on a new video track in the large timeline without having to zoom in or out. This speeds up the edit process because it minimizes time navigating a long timeline.

After you have finished editing clips using the 'cut' page, you might want to add a title. The next section will show you how.

Adding Titles

Placing a title on your timeline is easy and you have many options.

To see the different types of titles you can use, click on the 'titles' media tab at the top left corner of the user interface. In the selection window you will see all the different title generators you can use, from lower thirds, scrolls, to a standard text title. You can even add any of the Fusion titles which are animated titles that you can customize.

A good example is to add a standard title.

To do this:

- 1 Click on the 'text' title and drag it onto the timeline. It doesn't matter which timeline, but for greater accuracy we recommend using the detailed timeline. The title will automatically create a new video track for the title and will snap to the playhead.
- 2 Release the mouse and the title will appear on the new track. You can now move it or change its duration like you would another video clip.
- 3 To edit the title, click on the new title clip and a 'tools' icon will appear underneath the clip viewer. Click on the tools icon.

You will now see a row of tools you can use to modify the title clip. For example transform, crop, dynamic zoom and more. For this example, click on the 'title' tool.
- 4 Now click 'open inspector'.

This will open the inspector window where you can type in the title you want and edit the text settings, for example tracking, line spacing, font type, color and more.

You have a lot of options to customize the title exactly how you want it. We recommend playing with all the different settings to see how they can change the appearance and shape of your title.

Working with Blackmagic RAW Files

Blackmagic RAW clips give you maximum flexibility in post production. This lets you make adjustments to clips, such as white balance and ISO settings, as if you were changing the original camera settings. Working with Blackmagic RAW also retains more tonal information within shadows and highlights, which is useful for recovering details, for example in blown out skies and dark areas of the picture.

It's worth shooting in Blackmagic RAW if you are after the highest possible quality, or for shots where there is an extreme variance between highlights and shadows and you may need to push and pull those regions as much as possible in the grade.

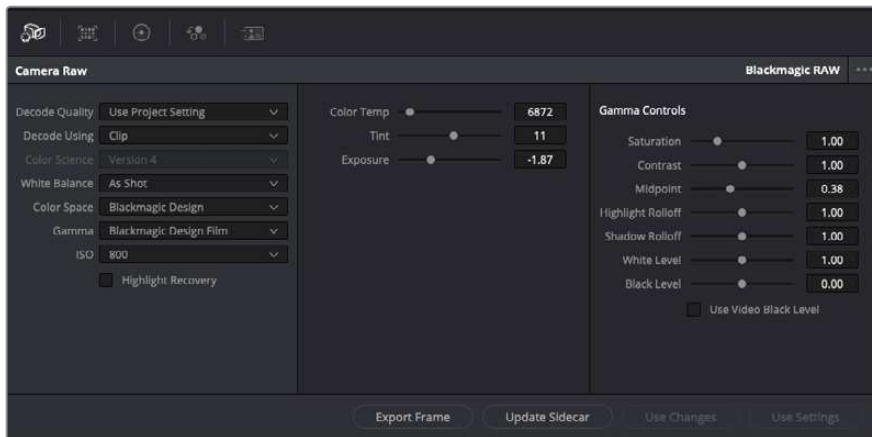
The speed and small file size of Blackmagic RAW means you don't need to make proxy files and playback is just like a standard video clip. This section of the manual describes the features of Blackmagic RAW and how to use Blackmagic RAW files in your DaVinci Resolve workflow.

TIP It is a good practice to adjust the Blackmagic RAW settings for your clips on the 'color' page before you start color grading.

Clip Settings for Blackmagic RAW

When you first import Blackmagic RAW files, DaVinci Resolve will decode the camera data contained in the files using the ISO, white balance and tint settings used at the time of shooting. If you're happy with the look of these settings, you can start editing right away.

The great thing about shooting Blackmagic RAW is that you're not tied to these settings at all! The breadth of available post processing options when working with Blackmagic RAW files mean that you'll develop your own workflow over time. Experimenting with the 'clip' settings for each clip in the 'camera raw' tab will show you just how powerful and flexible working with Blackmagic RAW can be.



In the 'camera raw' tab, select 'clip' from the 'decode using' drop down menu to make adjustments to your clip's Blackmagic RAW settings

Once you have set DaVinci Resolve to enable clip settings for Blackmagic RAW, the clip settings and gamma controls are now adjustable. Adjusting these settings to optimize your clips can bring them close to a full primaries grade. This is especially powerful when using DaVinci Resolve's scopes which can help you neutralize and balance the clips ready for applying a look.

The following information contains descriptions for the clip and gamma controls.

ISO

The ISO value can be changed by increasing or decreasing this setting. This setting is helpful if you need to set the clip to a brighter or darker starting point for optimization.

Highlight Recovery

Check the box to reconstruct highlight information in clipped channels using information from non-clipped channels.

Color Temp

Adjust the color temperature to warm or cool the image. This can be used to help neutralize the color balance in each image.

Tint

Adjusting this setting will add green or magenta into the image to help balance the color.

Exposure

Use this setting to refine the overall brightness of the image.

Saturation

Saturation controls default at 1 and range from -1 for the minimum saturation to +4 for maximum saturation.

Contrast

Defaulting at 1.0, drag the slider to the left for the least amount of contrast at 0 or to the right to increase the contrast up to 2.

Midpoint

In Blackmagic Design Film, your middle gray value defaults to 0.38, or 38.4%. Drag the slider to the left to lower your midpoint or to the right to raise it to 100. When contrast is adjusted away from the default setting, you can modify your highlight and shadow rolloff.

Highlight Rolloff

Adjust the highlights by dragging the slider to the left to lower the value to 0, or to the right to increase the highlights to 2. The default value is 1.

Shadow Rolloff

Drag the slider to the left to lower your shadows to 0 or to the right to raise your shadows to 2.

White Level

Adjust the white point of the gamma curve by dragging the slider from the highest value of 2 to the lowest value of 0. The default value is 1.

Black Level

Raise the black point of the custom gamma curve by dragging the slider to the right from the lowest value of -1 to a maximum of 1. The default value is 0.

Use Video Black Level

Check the box to set your black levels to video.

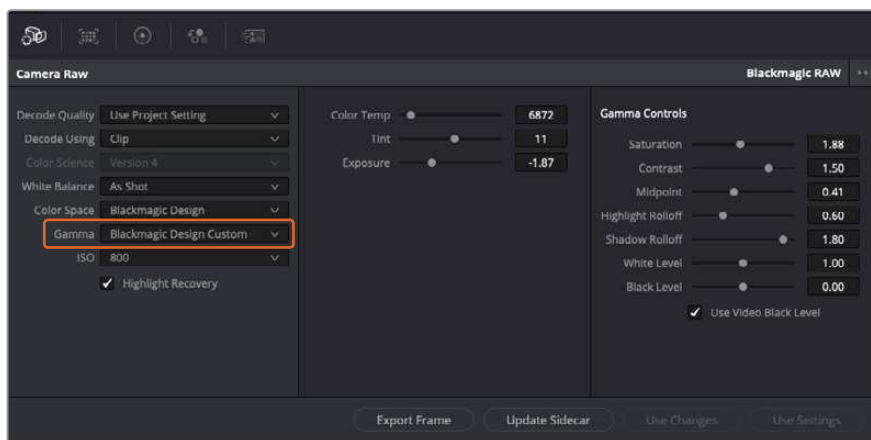
Export Frame

Clicking the 'export frame' button lets you export a single frame from your Blackmagic RAW clip.

Update Sidecar

Click this button to update the Blackmagic RAW sidecar file for the current clip.

Any changes you have made to your Blackmagic RAW clips will be identified by the gamma setting changing to Blackmagic Design Custom.



If you want to revert your clip to one of the default gamma options available, simply select it from the gamma dropdown menu.

TIP Gamma controls are disabled for footage shot with the 'video' dynamic range, but you have not lost your Blackmagic RAW data. Simply select Blackmagic Design Film or Blackmagic Design Extended Video from the dropdown gamma menu and make your adjustments.

Saving your Blackmagic RAW changes

- 1 Adjust the gamma controls for your Blackmagic RAW clip.
- 2 Click the 'update sidecar' button.

A 'sidecar' file will now be created in the same folder as your .braw file. When another user imports the Blackmagic RAW files, the sidecar files will automatically be read by DaVinci Resolve. If you make additional adjustments, press 'update sidecar' again.

TIP To remove your sidecar file, you can simply delete it from its location on your media drive.

Project Settings for Blackmagic RAW

If you need to make a setting change that is common to all the clips, for example a global change to the white balance or ISO setting, you can set the clips to use the project 'camera raw' settings and make global changes from there.

To set project settings for Blackmagic RAW:

- 1 Enter the project settings menu by clicking 'file,' and selecting 'project settings.'
- 2 In the 'Camera RAW' tab, you'll see a dropdown menu next to RAW profile. Click on the arrow to select Blackmagic RAW from the list.
- 3 Select 'project' in the 'Decode Using' dropdown menu.
- 4 Set the white balance setting to 'custom'.
- 5 Select 'Blackmagic Design Custom' from the dropdown gamma menu. Set the color space to 'Blackmagic Design'. This will also set the gamma setting to 'Blackmagic Design Film'.
- 6 Choose your resolution from the 'Decode Quality' menu. A lower resolution will give you better playback on limited systems. You also have the flexibility to change to full resolution later on before delivery for the highest quality output.

Now you can adjust the camera settings for your clips such as saturation, contrast and midpoint. This will affect all clips in your project that are set to decode using 'project'.

Color Correcting your Clips with the Color Page

Now with your clips on the timeline and titles added, you can start color correcting using the 'color' page. The color page is extremely powerful and will define the overall look of your film, but for this example a good place to start is to neutralize all your clips so they are consistent. You can also return to the 'cut' or 'edit' page at any time if you want to make changes to your edit.

The color page lets you adjust the look of your edit and in many ways color correction is an art form in itself. You are really adding emotion to your work when you add color correction. It's an incredibly creative part of the workflow and very satisfying when you learn these skills and can see your work come alive! This is usually the first step and is referred to as primary color correction, or adjusting the primaries. After primary color correction is done, you can then make secondary color correction adjustments which is where you can make extremely precise color adjustments of specific objects in your images. That is a lot of fun, but is normally done after primaries because it helps make the process more efficient and you will get a better result!

First click on the 'color' tab to open the color page.

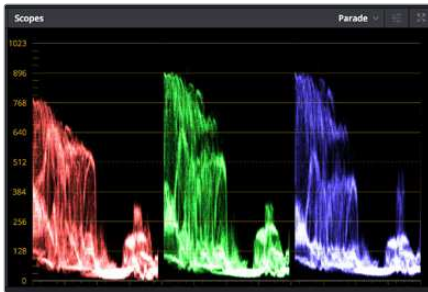
You'll see the camera raw settings, color wheels, curves palettes and general color correction tools as well as the preview and nodes window. Don't feel overwhelmed by the vast array of features in front of you, they are all there to help you get the most amazing looking pictures.

This getting started section will show the basics, but for more detailed information refer to the relevant sections in the manual. They will show you exactly what all the tools are for and how to use them in easy to follow steps. You'll learn the same techniques the professionals use in high end color correction facilities.

Generally, the first step for primary color correction is to optimize the levels for shadows, mid tones and highlights in your clips. In other words adjust the 'lift', 'gamma' and 'gain' settings. This will help get your pictures looking their brightest and best with a clean, balanced starting point from where you can begin grading the 'look' of your film. To optimize the levels, it's helpful to use the scopes.

Using Scopes

Most colorists make creative color choices by focusing on the emotion and the look they want their program to have and then simply work using the monitor to achieve that look. You can look at everyday objects and how different types of light interact with them to generate ideas on what you can do with your images and a little practice.



The parade scope helps you optimize highlights, mid tones and shadows

Another way to color grade is to use the built in scopes to help you balance shots. You can open a single video scope by clicking the 'scope' button, which is the second from the right on the palette toolbar. You can choose to display a waveform, parade, vectorscope and histogram. Using these scopes you can monitor your tonal balance, check the levels of your video to avoid crushing your blacks and clipping the highlights, plus monitor any color cast in your clips.

The 'color wheels' palette contains the 'lift', 'gamma' and 'gain' controls which will generally constitute your first adjustment. If you've previously had experience with color correction, these should resemble controls you've seen in other applications for doing color and contrast adjustments.



The 'lift', 'gamma', 'gain' and 'offset' color wheels give you total control over the color and tonal balance of your clips. To make a uniform adjustment to all colors for each tonal region, drag the dial underneath the color wheels back and forth

For more accurate control of each color using a mouse, you can change the color wheels to 'primaries bars' which let you adjust each color and luminance channel for the lift, gamma and gain controls separately. Simply select 'primaries bars' from the dropdown menu near the top right of the color wheels.

- **Adjusting the 'lift':** With your clip selected on the color timeline, click on the 'lift' dial underneath the first color wheel. Slide it back and forth and watch how it affects your image. You'll see the brightness of the dark regions of your picture increase and decrease.
Set it to where you want the dark areas to look their best. If you decrease the lift too much, you'll lose details in the blacks and you can use the parade scope to help avoid this. The optimal position for blacks on the waveform is just above the bottom line of the parade scope.
- **Adjusting the 'gain':** Click on the 'gain' dial and slide it back and forth. This adjusts the highlights which are the brightest areas of your clip. The highlights are shown on the top section of the waveform on the parade scope. For a brightly lit shot, these are best positioned just below the top line of the waveform scope. If the highlights rise above the top line of the waveform scope, they will clip and you will lose details in the brightest regions of your image.
- **Adjusting the 'gamma':** Click on the 'gamma' dial underneath the color wheel and slide it back and forth. As you increase the gamma you'll see the brightness of the image increase. Notice the middle section of the waveform will also move as you adjust the gamma. This represents the mid tones of your clip. The optimal position for mid tones generally falls between 50 to 70% on the waveform scope. However, this can be subjective based on the look you are creating and the lighting conditions in the clip.

You can also use the curves palette to make primary color corrections. Simply click to create control points on the diagonal line inside the curve graph, and drag them up or down to adjust the master RGB contrast at different areas of image tonality. The optimum points to adjust are the bottom third, mid, and top third of the curve line.

There are many more ways of doing primary color correction in DaVinci Resolve.



The curves palette is another tool you can use to make primary color corrections, or enhance specific areas of your clip when using a power window

Secondary Color Correction

If you want to adjust a specific part of your image then you need to use secondary corrections. The adjustments you have been doing up until now using the lift, gamma and gain adjustments affect the whole image at the same time and so they are called primary color corrections.

However, if you need to adjust specific parts of your image, say for example you wanted to improve the color in the grass in a scene, or you wanted to deepen the blue in a sky, then you can use secondary corrections. Secondary color corrections are where you select a part of the image and then adjust only that part. With nodes, you can stack multiple secondary corrections so you can keep working parts of your image until everything is just right! You can even use windows and tracking to allow the selections to follow movement in your images.

Qualifying a Color

Often you'll find a specific color in your clip can be enhanced, for example grass by the side of a road, or the blue in a sky, or you may need to adjust color on a specific object to focus the audience's attention on it. You can easily do this by using the HSL qualifier tool.



Using the HSL qualifier to select colors in your image is helpful when you want to make areas of your image 'pop', to add contrast, or to help draw the audience's attention to certain areas of your shot.

To qualify a color:

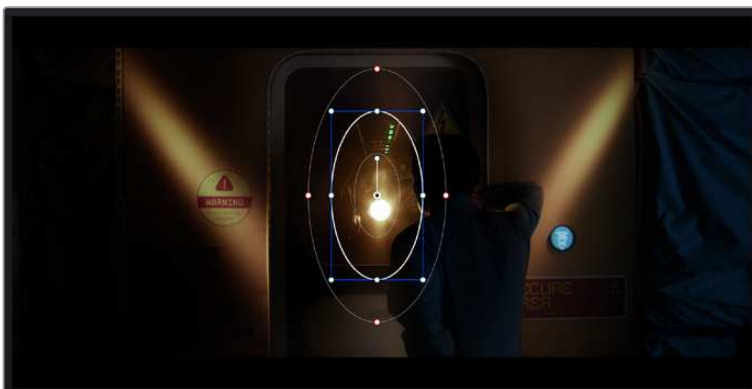
- 1 Add a new serial node.
- 2 Open the 'qualifier' palette and make sure the 'selection range' picker tool is selected.
- 3 Click on the color in your clip you want to affect.
- 4 Usually you'll need to make some adjustments to soften the edges of your selection and limit the region to only the desired color. Click on the 'highlight' button above the viewer to see your selection.
- 5 Adjust the 'width' control in the 'hue' window to broaden or narrow your selection.

Experiment with the high, low and softness controls to see how to refine your selection. Now you can make corrections to your selected color using the color wheels or custom curves.

Sometimes your selection can spill into areas of the shot you don't want to affect. You can easily mask out the unwanted areas using a power window. Simply create a new window and shape it to select only the area of color you want. If your selected color moves in the shot, you can use the tracking feature to track your power window.

Adding a Power Window

Power windows are an extremely effective secondary color correction tool that can be used to isolate specific regions of your clips. These regions don't have to be static, but can be tracked to move with a camera pan, tilt or rotation, plus the movement of the region itself.



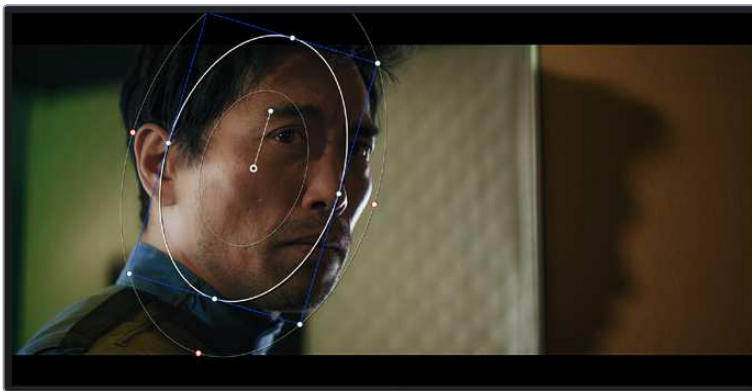
Use power windows to mask out areas you don't want to be affected by the HSL qualifier secondary adjustments.

For example, you can track a window on a person in order to make color and contrast changes just to that person without affecting his or her surroundings. By making corrections like this you can influence the audience's attention on areas you want them to notice.

To add a power window to your clip:

- 1 Add a new serial node.
- 2 Open the 'window' palette and select a window shape by clicking on a shape icon. Your selected window shape will appear on the node.
- 3 Resize the shape by clicking and dragging the blue points around the shape. The red points adjust the edge softness. You can position the shape by clicking the center point and moving it to the area you want to isolate. Rotate the window using the point connected to the center.

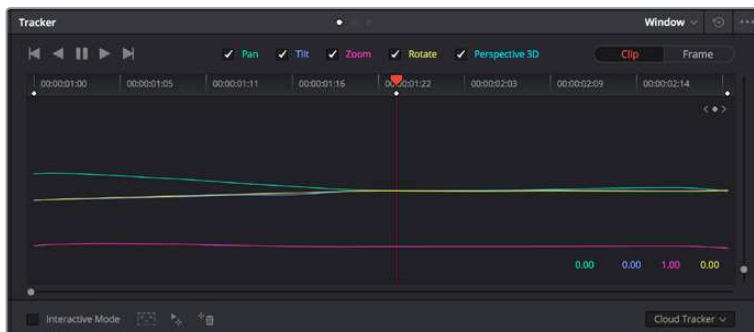
Now you can make color corrections to your image in just the area you want.



Power windows let you make secondary corrections to specific parts of your image

Tracking a Window

The camera, object or area in your shot may be moving, so to make sure your window stays on your selected object or area, you can use DaVinci Resolve's powerful tracking feature. The tracker analyzes the pan, tilt, zoom and rotation of the camera or object in your clip so you can match your windows to that movement. If this isn't done, your correction can move off the selected target and call attention to itself, which you probably don't want.



You can track objects or areas in your clip using the tracker feature so power windows can follow the action

To track a window to a moving object:

- 1 Create a new serial node and add a power window.
- 2 Go to the start of your clip and position and size the window to highlight just the object or area you want.
- 3 Open the 'tracker' palette. Select the pan, tilt, zoom, rotate, and perspective 3D settings appropriate for the movement in your clip by checking or unchecking the relevant 'analyze' checkboxes.
- 4 Click on the 'forward' arrow to the left of the checkboxes. DaVinci Resolve will now apply a cluster of tracking points on your clip and then step through the frames to analyze the movement. When the tracking is done, your power window will follow the path of the movement in your clip.

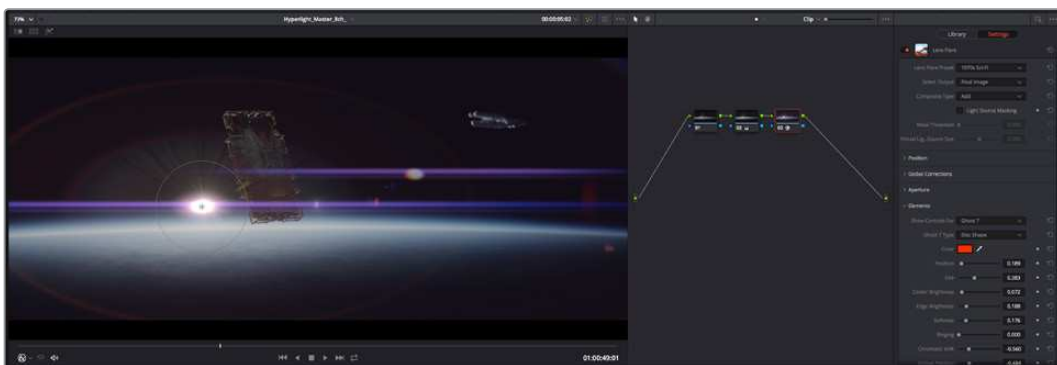
Most of the time automatic tracking is successful, but scenes can be complex and sometimes an object can pass in front of your selected area, interrupting or affecting your track. This can be solved manually using the keyframe editor. Refer to the DaVinci Resolve manual to find out more.

Using Plugins

While making secondary color corrections you can also add ResolveFX or OpenFX plugins to create fast, interesting looks and effects using the 'color' page, or imaginative transitions and effects on your clips on the 'edit' page. ResolveFX are installed with DaVinci Resolve, OFX plugins can be purchased and downloaded from third party suppliers.

After installing a set of OFX plugins, you can access them or ResolveFX plugins on the color page by opening the OpenFX inspector to the right of the 'node editor'. Once you create a new serial node, simply click the 'OpenFX' button to open the FX library and drag and drop a plugin onto the new node. If the plugin has editable settings, you can adjust these in the adjoining 'settings' panel.

In the 'edit' page you can add plugin filters, generators and transitions to clips by opening the 'OpenFX' panel in the 'effects library' and dragging your selected plugin onto the video clip or track above your clip on the timeline depending on the plugin requirements.



OFX plugins are a quick and easy way to create an imaginative and interesting look

Mixing Your Audio

Mixing Audio in the Edit Page

Once you have edited and color corrected your project, you can begin to mix your audio. DaVinci Resolve has a helpful set of features for editing, mixing and mastering audio for your project directly in the 'edit' page. For projects requiring more advanced audio tools, the Fairlight page provides you with a full audio post production environment. If you are already familiar with the edit page and want to move straight to Fairlight, skip this section and move onto the next.

Adding Audio Tracks

If you are working in the edit page and want to mix a basic sound edit with lots of sound effects and music, you can easily add more audio tracks when you need them. This can be helpful when building your sound, and separating your audio elements into individual tracks, for example, dialogue, sound effects and music.

To Add an Audio Track to the Edit Page

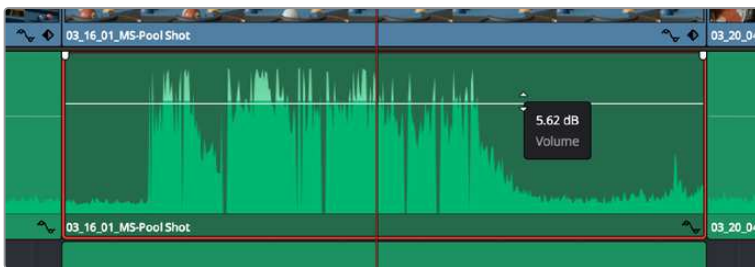
Right click next to the name of any audio track on your timeline and select 'add track' and choose from the options, including 'mono', 'stereo', and '5.1'. This will add the track to the bottom of the track list. Alternatively select 'add tracks' and select the position you would like the new track or multiple tracks placed.

Your new audio track will appear on the timeline.

TIP If you wish to change the type of track after creating it, right click next to the name of the track and select 'change track type to' and select the type of audio track you want, such as stereo, mono or 5.1.

Adjusting Audio Levels in the Timeline

Each clip of audio in the timeline has a volume overlay that lets you set that clip's level by simply dragging it up or down with the pointer. This overlay corresponds to the Volume parameter in the Inspector.

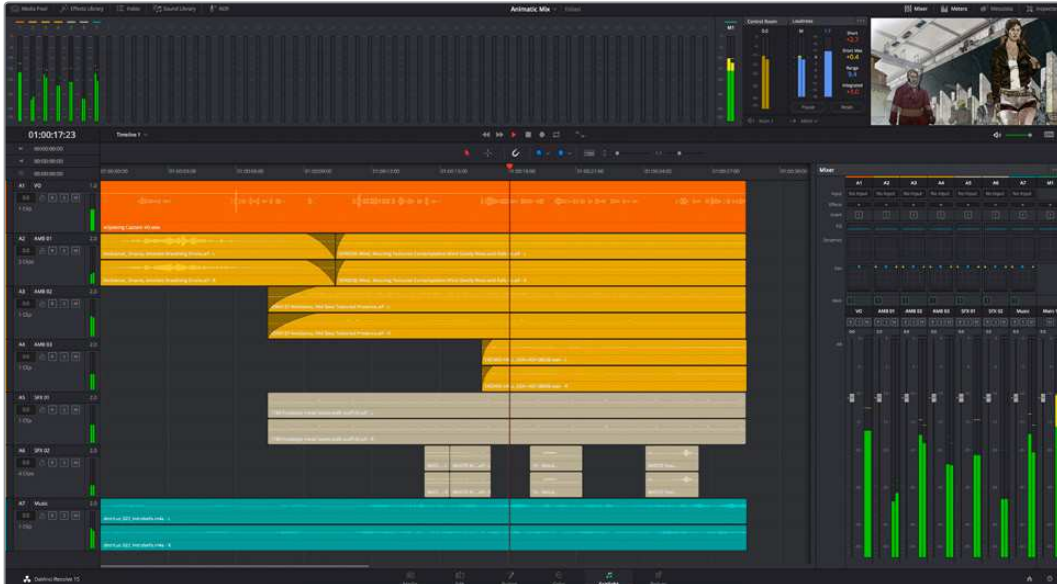


Dragging a volume overlay to adjust the clip level

For projects requiring more advanced audio tools, the Fairlight page provides you with a full audio post production environment.

The Fairlight Page

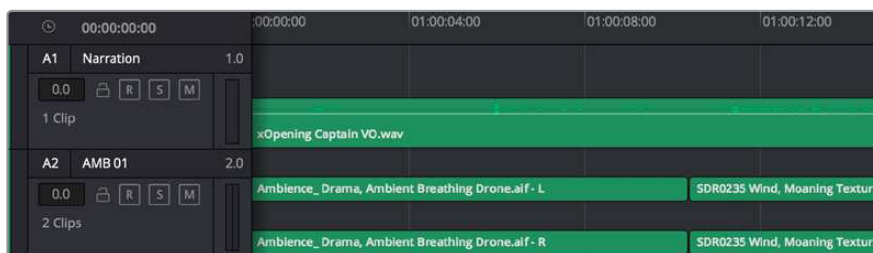
The 'Fairlight' page in DaVinci Resolve is where you adjust your project audio. In single monitor mode, this page gives you an optimized look at the audio tracks of your project, with an expanded mixer and custom monitoring controls that make it easy to evaluate and adjust levels in order to create a smooth and harmonious mix. Don't feel overwhelmed by the vast array of features in front of you, they are all there to help you deliver the best audio quality for your project.



This guide provides a basic overview of the features on the Fairlight page, but to learn more about all the details for each feature, refer to the DaVinci Resolve manual. The DaVinci Resolve manual provides details on the purpose of each tool and describes how to use them in easy to follow steps.

The Audio Timeline

- **Track Header:** At the left of each track is a header area that displays the track number, track name, track color, audio channels, fader value and audio meters. The track header also contains different controls for locking and unlocking tracks, plus solo and muting controls. These controls can help to keep your tracks organized, and let you preview individual tracks one at a time.
- **Tracks:** Each track on the Fairlight page is divided into lanes, which show each individual channel of clip audio for editing and mixing. The edit page hides these individual audio channels, displaying only a single clip in the timeline to make it easier to edit multi channel sources without needing to manage a huge number of tracks.



The track header on track A1 indicates a mono track with a single lane for mono audio, and the A2 track header indicates a stereo track with two lanes to accommodate stereo audio

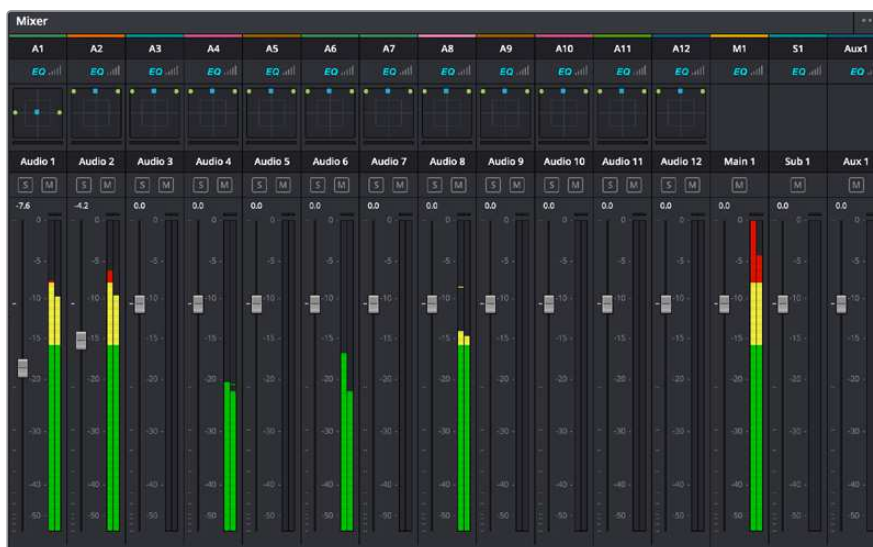
What is a Bus?

A bus is essentially a destination channel to which you can route multiple audio tracks from the timeline, so that they are mixed together into a single signal that can be controlled via a single channel strip.

- **Main Bus:** 'Main busses' are typically the primary output of a program and each new project you create starts out with a single 'main bus', to which all tracks are routed by default. The 'main bus' combines all of the tracks in the timeline into one signal so that you can adjust the overall level of the audio mix once you have adjusted the level of each individual track.
- **Sub Bus:** 'Sub busses' allow you to combine multiple tracks of audio that belong to the same category such as dialogue, music or effects so that everything in that category can be mixed as a single audio signal. For example, if you have five dialogue tracks, you can route the output of all five dialogue tracks to a 'submix bus', and the level of all dialogue can then be mixed with a single set of controls. This submix can be rendered separately or sent to the main bus for render.

The Mixer

Each audio track in your timeline corresponds to an individual channel strip in the Mixer, and by default there's a single strip on the right for the 'main bus' labeled 'M1'. Additional channel strips will appear on the right hand side with a set of controls for each additional 'main' and 'submix bus' you create. A set of graphical controls allows you to assign track channels to output channels, adjust EQ and dynamics, set levels and record automation, pan stereo and surround audio, and mute and solo tracks.



The audio mixer, with channel strips corresponding to the tracks in the timeline

Using the Equalizer to Enhance your Audio

After adjusting the audio levels of your audio clips in your project, you may find that the audio needs further finessing. In some cases you may find that the dialogue, music and sound effects are competing for the same frequency on the audio spectrum, making your audio too busy and unclear. This is where using EQ can help, as it allows you to specify the parts of the audio spectrum that each track occupies. You can also use an equalizer to help remove unwanted elements from your audio by isolating and reducing the level on particular frequencies that contain low rumbles, hums, wind noise and hiss, or simply to improve the overall quality of your sound so it is more pleasing to listen to.

DaVinci Resolve provides EQ filters that can be applied at a clip level to each individual clip or at the track level to affect entire tracks. Each audio clip in the timeline has a four band equalizer in the inspector panel, and each track has a 6 band parametric equalizer in the mixer panel. The graphical and numeric controls for boosting or attenuating different ranges of frequencies, and different filter types allow you to define the shape of the EQ curve.



The four band equalizer can be applied to every clip in the timeline

Outer bands let you make band filter adjustments using hi-shelf, lo-shelf, hi-pass and lo-pass filters. A pass filter affects all the frequencies above or below a particular frequency, by removing those frequencies completely from the signal. For example, a high pass filter will allow the high frequencies to pass through the filter while cutting the low frequencies. Any frequencies outside the cutoff frequency are cut gradually in a downward sloping curve.

A shelf filter is less aggressive, and is useful when you want to shape the overall top end or low end of the signal without completely removing those frequencies. The shelf filter boosts or cuts the target frequency and every frequency either above or below it evenly, depending on whether you use a high shelf or low shelf.

The middle sets of band controls let you make a wide variety of equalization adjustments, and can be switched between lo-shelf, bell, notch, and hi-shelf filtering options.

- **Bell:** Bell filters boost or cut frequencies around a given center point of the bell curve, and as the name suggests the shape of the curve is like a bell.
- **Notch:** Notch filters allow you to specifically target a very narrow range of frequencies. For example, removing a mains hum at 50 or 60Hz.
- **Lo-Shelf:** Low shelf filters boost or cut the target frequency at the low end, and every frequency below it
- **Hi-Shelf:** High shelf filters boost or cut the target frequency at the high end, and every frequency above it

To add EQ to an individual clip:

- 1 Select the clip in the timeline that you want to add the EQ filter to.
- 2 Click on the inspector and then click the 'clip equalizer' enable button.

To add EQ to a track:

- 1 Double click in the EQ section for one of your tracks in the mixer to open the equalizer for that track.
- 2 Select the band filter type from the dropdown menu for the band you want to adjust.



The EQ section in the mixer panel indicating an EQ curve has been applied to track one



The 6 Band parametric equalizer that can be applied to every track

Once you have added EQ to your clip or track, you can adjust the EQ for each band. Note that controls may vary depending on which band filter type is selected.

To adjust the EQ for a band filter:

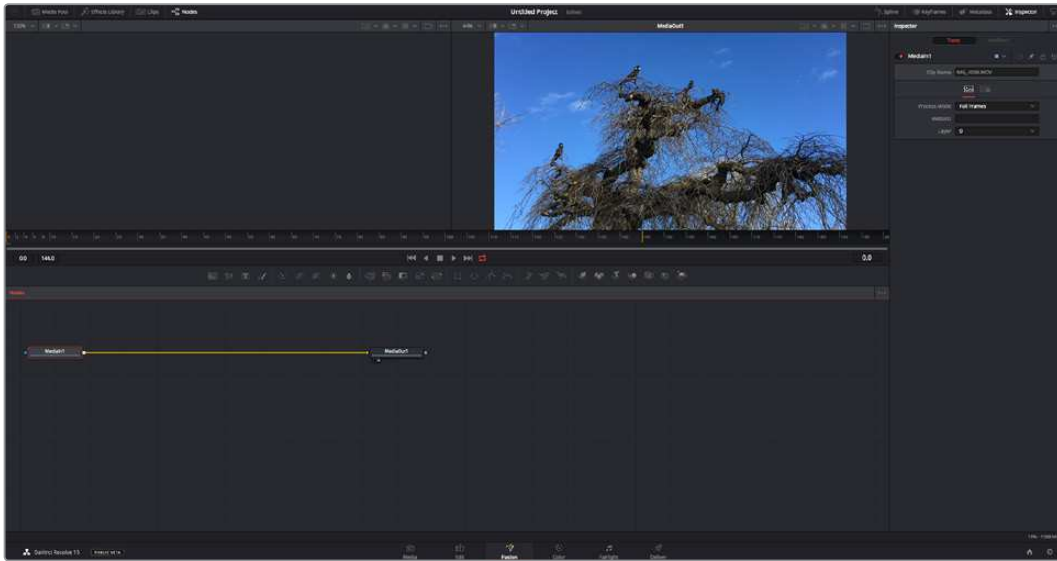
- 1 Select the band filter type from the dropdown menu for the band you want to adjust.
- 2 Adjust the 'frequency' value to select the center frequency of the EQ adjustment.
- 3 Adjust the 'gain' value to boost or attenuate the frequencies governed by that band.
- 4 Use the 'Q factor' value to adjust the width of affected frequencies.

Use the reset button to reset all controls in the EQ window to their defaults.

Fairlight has many controls you can use to improve the quality of each audio track. You can add more tracks and arrange buses to organize them, plus add effects like delay or reverb, and generally perfect your audio mix.

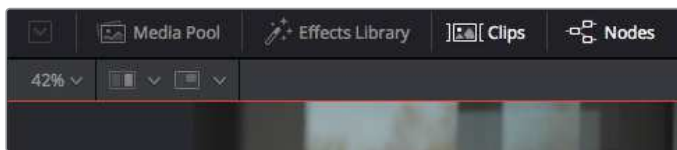
Adding VFX and Compositing on the Fusion Page

Now that you have completed your edit, you can open the Fusion page to add 2D or 3D visual effects and motion graphics right within DaVinci Resolve. Unlike layer based compositing software, Fusion uses nodes, giving you the freedom to build complex effects while routing image data in any direction. The nodes window clearly shows every tool used along the way. If you have experienced the node workflow in the color page, this will feel familiar to you.

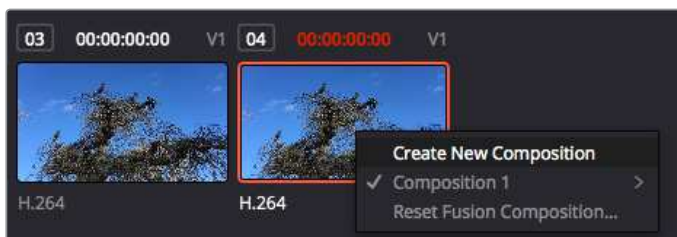


The Fusion Page

The Fusion page features 2 viewer windows across the top with transport controls to view your media, an inspector window to the right to access tool settings, and a nodes window at the bottom where you build your composition. While the viewers and transport controls are always visible, clicking on the icons on the interface toolbar at the very top of the display will let you show or hide the nodes and inspector windows, or reveal or hide additional windows including the effects library and editors for spline and keyframes.



- **Media Pool:** The media pool functions the same way as it appears in the edit page. Simply drag additional media from your bins directly to your composition.
- **Effects Library:** The effects library is where you will find your Fusion tools and templates sorted into categories including particle, tracking, filters and generators. You can either click on the tool or drag it to the nodes area to add it to your composition. The media pool and effects library take up the same screen area, so you can swap between the two to keep your viewers as large as possible.
- **Clips:** Clicking the clips tab will reveal or hide thumbnails representing clips on your timeline. The thumbnails are located underneath the nodes editor, letting you instantly navigate to other clips.



Create a new version of your composition by right clicking on a thumbnail and selecting 'create new composition'.

- **Viewers:** The viewers are always visible and let you see the different views of your composition, for example an overall 3D perspective via the merge 3D node, a camera output, or your final render output. These viewers also let you see how your changes are affecting a specific element.

You can choose which nodes to view by clicking on a node and typing ‘1’ for the left viewer or ‘2’ for the right viewer. White button icons appear beneath the node to let you know which viewer it is assigned to. If you’re using external video monitoring, there will be a third button available to route your media to your external video monitor.

TIP You can also assign a node to a viewer by dragging the node into the viewer itself.

The transport controls underneath the viewers let you skip to the start or end of the clip, play forward or reverse, or stop playback. The time ruler displays the entire range of a clip, with yellow marks indicating the in and out points.



The yellow marks on the time ruler indicate your clip’s in and out points on your timeline. If you are using a Fusion clip or compound clip, the time ruler will only show you the duration of the clip as it appears on the timeline, without handles.

- **Nodes:** The nodes window is the heart of the Fusion page where you build your node tree by connecting tools together from one node’s output to another node’s input. This area will change size depending on which editors are open, for example the spline or keyframes editor. A toolbar at the top of the nodes area features the most commonly used tools for fast access.
- **Spline:** When the spline editor is open, it will appear to the right of the nodes window. This editor lets you make precise adjustments to each node, such as smoothing the animation between two keyframes using bezier curves.
- **Keyframes:** Keyframes for each tool can be added, removed or modified using the keyframes editor. This also appears to the right of the nodes viewer.
- **Metadata:** The metadata window will show you metadata available for the active clip, including the codec, frame rate and timecode.
- **Inspector:** The inspector in the top right corner displays all settings and modifiers available for one or more selected nodes. Additional tab options will appear to provide quick access to other settings for nodes sorted by category.

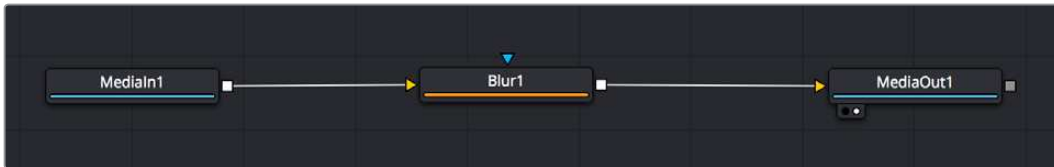


The text inspector contains additional tabs for text, layout, transform, shading, image and settings.

Getting Started with Fusion

To get started with Fusion, simply position your playhead over any clip on your timeline and click on the 'Fusion' tab to open the Fusion page.

On the Fusion page, your clip is immediately available in a media input node labelled 'MediaIn'. Every composition will begin with a 'mediain' and a 'mediaout' node. This mediain node represents the top most clip of your timeline at the playhead, and ignores any clips underneath. Any adjustments you've applied to the clip on the edit page, such as transform tools and cropping changes, are also included.



The media output node, named 'MediaOut', is the node that sends the output back to your timeline on DaVinci Resolve's edit page.

TIP ResolveFX or OFX plug-ins applied to clips in the edit page are not applied in the Fusion page. This is because Fusion effects occur prior to color correction and OFX/ResolveFX processing. If you want OFX applied before Fusion effects, right click the clip in the edit page and select 'new fusion clip' before clicking on the Fusion page.

Understanding Nodes

It can be helpful to think of each node as a visual icon representing a single tool or effect. Nodes are connected to other nodes to build the overall composition, much like ingredients in a cake. It's important to understand the inputs and outputs of each node as this will help you navigate the flow of your composition while building detailed visual effects.

Some tools have multiple inputs and outputs you can connect to other nodes. The merge node, for example, lets you attach a foreground input, background input, and a mask input for mattes or keys.

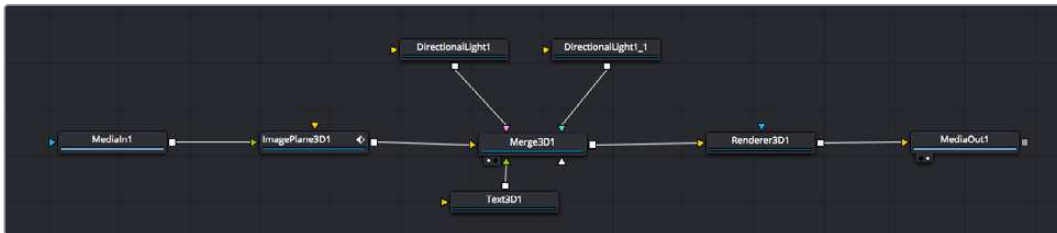


Multiple outputs on nodes means a single node can connect to many different nodes in your composition, so you don't have to duplicate clips as you would in layer based software. Arrows on the line between connected nodes are a great visual indicator to show you which direction the image data is flowing.

Adding Nodes to the Node Editor

Adding effects is as simple as placing nodes on the line between the 'mediain' and 'mediaout' nodes.

There are a few ways you can do this. You can hold down the shift button and drop a node between two nodes, or click on the node you want to attach an effect to and select the tool you want to add. The new node will automatically connect to the tool selected. You can also add a node anywhere on the node window and manually connect nodes by dragging the output of one to the input on another.



The most commonly used tool is the 2D or 3D merge node. This node is like a central hub that combines tools on the node editor into a single output.

The merge node has controls for how the inputs are managed, including settings for size, position, and blend. These settings are all accessible in the inspector panel when the merge node is selected.

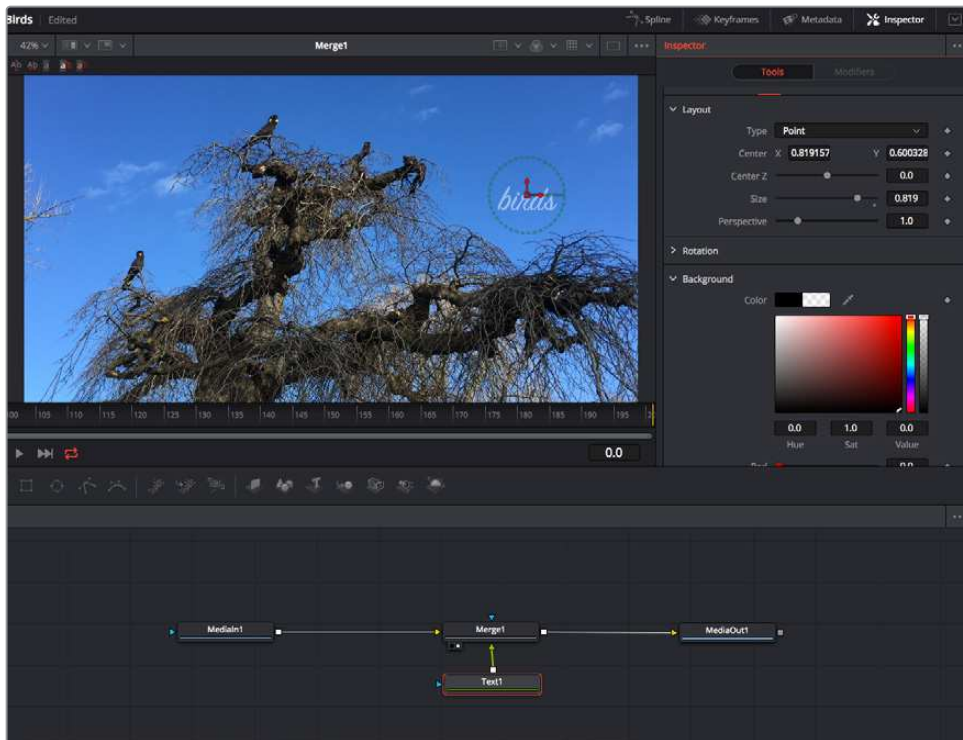
The toolbar above the node panel contains the most commonly used tools as icons that you can either click on to add the node, or drag the tool to the node panel. If you want to see all the complete tools available, click on the 'effects library' in the top left corner and expand the 'tools' option. Here you'll find all the tools sorted by category, as well as a set of pre-built 'templates' you can use, for example lens flares, shaders and backgrounds.

TIP Once you're familiar with the tool names, you can hold down 'shift' and press 'spacebar' on your keyboard and a 'select tools' menu will appear. As you type the tool name, the menu will suggest the relevant tool. This is a very fast way to select the tool you want.

Adjusting Nodes Using the Inspector Panel

Adjust your node settings using the inspector panel. Simply click on the node you want to modify and the panel will update to display its settings and controls.

With Fusion, you don't have to be viewing the node you're editing, as you can modify one node while viewing another in your composition. For example, you can modify the size and center position of a 'text+' node while the merge node is in the viewer, letting you view the text relative to the background.



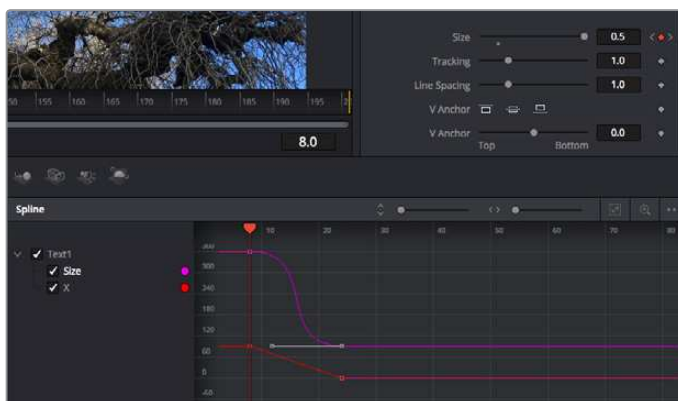
Selected nodes appear with a red border. Here the inspector panel is displaying the layout tab controls for the text node.

There are different parameters and settings you can adjust for every node depending on its task, from sizing and center positions to changing the number of particles in an emitter node. Setting keyframes and changing the settings over time will animate the effect.

Working with Keyframes

In the inspector window, set a keyframe by right clicking on a setting and choosing 'animate' from the contextual menu. The keyframe icon to the right of the setting will turn red. This means keyframes are now active and any changes you make will be applied to the current frame only. When two or more keyframes are created by changing the setting parameters on a different frame, a transition is interpolated between them. Arrows on each side of the keyframe icon let you move the playhead to those exact positions on the timeline.

The splines panel gives you further control over keyframe animation. You can select keyframes, such as the first and last, and smooth the animation between them into a bezier curve by typing 'shift' + 's', or right clicking on a keyframe and selecting 'smooth'.



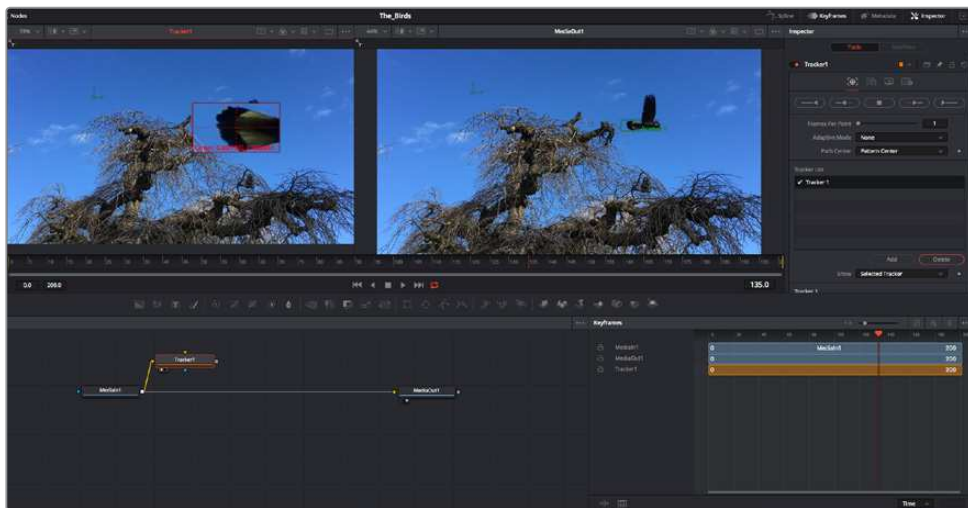
Here, the 'size' keyframe animation has been smoothed into a bezier curve. You can click the bezier handles to shorten or lengthen the curve, or the keyframe square icons to move the keyframe location.

Using the Motion Tracker and Adding Text

To get a better idea of how to use Fusion, we have included the following examples to show how to use the tracker tool to track an element in a clip, plus add text and attach it to the element using the tracking data.

The 'tracker' tool tracks pixels over time on the x & y axis, and generates data you can use to attach other elements. This is great for when you want to match the position of text to a moving object, such as a car driving along the road, or a bird as it flies across frame.

- 1 In the 'effects library', select the 'tracking' tool and drag it to the line between the 'mediain' and the 'mediaout' nodes. Now click the tracker node to reveal its properties in the inspector.
- 2 Type '1' on your keyboard to see the 'tracker' node on the left viewer. The clip will appear in the viewer together with the tracker at its default position. Hover your mouse pointer over the tracker to reveal the tracker handle. Click on the tracker handle at the top left corner and drag the tracker to an area of interest on your clip. High contrast areas work well, for example the badge on the hood of a car. The tracker will magnify the image area for extra precision.
- 3 In the inspector window, click on the 'track forward' button to start tracking. A notification window will appear when the tracking is done. Click OK.

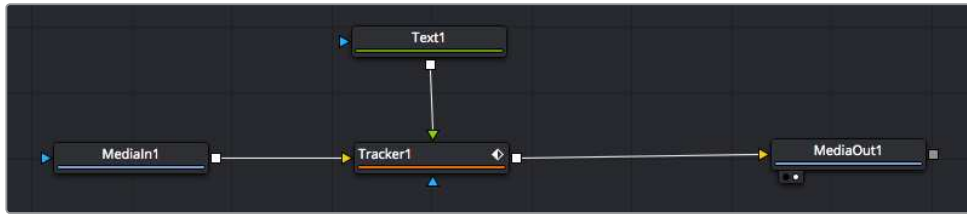


Tracking options in the inspector panel include track reverse from last frame or current frame, stop track or track forward from current frame or first frame.

TIP Track reverse or forward from current frame is great for situations where your area of interest disappears during the render range, such as a car or bird moving out of frame. This lets you track only the relevant footage.

Now you can take that tracking data and apply the motion path to a text tool.

- 4 Click on the 'text+' node icon from the toolbar of commonly used nodes and drag it to the node panel near the 'tracker' node. Connect the 'text' output square to the green foreground input on the 'tracker'.



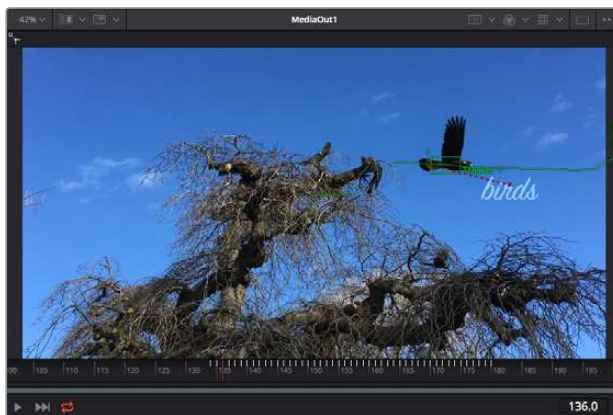
- 5 Click on the 'tracker' node and type '1' so you can see the merged results on your left hand viewer. In the 'tracker' inspector panel, click on the 'operations' tab. You can see the tab's name by hovering the mouse pointer over it. Click the dropdown menu next to operation and select 'match move'.
- 6 Click the 'text' node to reveal the properties in the inspector. Type your text into the text box and change the font, color and size to suit your composition.

This will apply the tracking position data from your tracker to your text. If you want to change the text offset, click on the 'trackers' tab back in the inspector panel and use the x and y offset scroll wheels to modify the position.



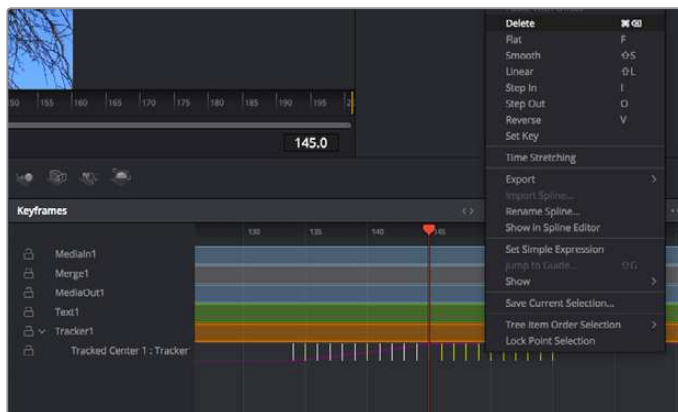
Scroll wheels at the bottom of the tracker inspector panel let you adjust the offset position for the text.

Now you can play back your composition and see your text attached to the object you have tracked!



The green square is the tracker's current position along the green path, and the red dashed line is the offset position used to animate the text.

For some shots you might want to remove track points after tracking, such as when the object you are tracking disappears off the screen. The keyframe editor makes this a very simple process.



- 7 Click on the keyframes tab above the inspector to open the keyframes editor. Any nodes with keyframes applied will have a small arrow next to the node label, and only the parameter with keyframes added will appear in the list below. Click on the magnify icon and drag a box around the area you want to edit. This will zoom into that area so you can see the keyframes easier.
- 8 Move the playhead to the location of the last keyframe you want. Now select the keyframes you wish to remove by drawing a box around them with your mouse. The keyframes will highlight yellow. Right click and choose delete from the menu.

TIP If your effects are particularly system intensive, right clicking on the transport controls area will give you viewer options, including proxy playback, helping you get the most out of your system while you build your composition. Refer to the DaVinci Resolve manual for further detail on all the playback options.

You have now completed your first composition animating text to match a movement in your footage!

If you want to track an area of the image that contains a flat surface you want to enhance or replace, you can use the planar tracker. Tracking 2D planes can be helpful for changing labels and signs in a moving image, or even adding an image to a monitor or TV in your shot.

For more information about the planar tracker and the many powerful tools in the DaVinci Resolve Fusion page, see the DaVinci Resolve manual.

TIP As you build visual effects in the Fusion page, it's worth noting if the effect you are building is a 2D effect, or a 3D effect, as this will determine which merge tool is used. You may discover yourself frequently combining 2D and 3D effects in the one composite. In this scenario, it's helpful to remember that any visual effect using the 3D space needs to be rendered as a 2D image before it can be merged into a 2D composite.

We believe you will have lots of fun with Fusion and exploring Fusion's visual effects with the power of DaVinci Resolve's edit, color, and Fairlight pages. With all these tools at your finger tips, DaVinci Resolve is incredibly powerful and there is really no limit to what you can create!

Mastering Your Edit

Now you've edited, graded, added vfx and mixed your audio, you'll want to share it with others. You can use the Quick Export button, or menu selection, to output the contents of the Timeline as a self contained file in one of a variety of different formats, or use the additional features of the 'deliver' page.



The 'deliver' page is where you export your edit. You can select from many different video formats and codecs

Quick Export

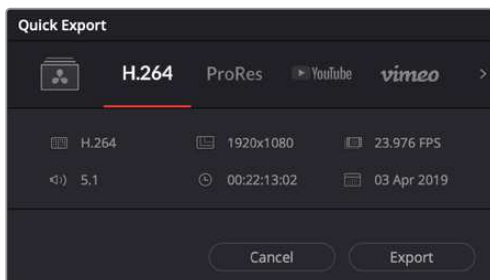
You can choose File > Quick Export to use one of a variety of export presets to export your program from any page of DaVinci Resolve. You can even use quick export to export and upload your program to one of the supported video sharing services, including YouTube, Vimeo, and Frame.io.

To use Quick Export:

- 1 In the 'edit', 'fusion', or 'color' page, optionally set in and out points in the timeline to choose a range of the current program to export. If no timeline in or out points have been set, the entire timeline will be exported.

Choose File > Quick Export.

- 2 Select a preset to use from the top row of icons in the quick export dialog, and click 'export'.
- 3 Choose a directory location and enter a file name using the export dialog, then click 'save'. A progress bar dialog appears to let you know how long the export will take.



The quick export dialog

The Deliver Page

This page lets you select the range of clips you want to export, plus the format, codec and resolution you want. You can export in many types of formats such as QuickTime, AVI, MXF and DPX using codecs such as 8-bit or 10-bit uncompressed RGB/YUV, ProRes, DNxHD, H.264 and more.

To export a single clip of your edit:

- 1 Click on the 'deliver' tab to open the deliver page.
- 2 Go to the 'render settings' window on the top left of the page. Choose from a number of export presets, for example YouTube, Vimeo and audio presets, or you can set your own export settings manually by leaving it set to the default 'custom' preset and entering your own parameters. For this example, select YouTube, then click on the arrow next to the preset and select the 1080p video format.

The frame rate will be locked to your project frame rate setting.

- 3 Underneath the presets you will see the timeline filename and the target location for your exported video. Click the 'browse' button and choose the location where you want to save your exported file and then select 'single clip' from the render option.
- 4 Immediately above the timeline, you'll see an options box with 'entire timeline' selected. This will export the entire timeline, however you can select a range of the timeline if you want to. Simply choose 'in/out range' and then use the 'i' and 'o' hot key shortcuts to choose the in and out points in your timeline.
- 5 Go to the bottom of the 'render settings' and click on the 'add to render queue' button.

Your render settings will be added to the render queue on the right side of the page. Now all you have to do is click 'start render' and monitor the progress of your render in the render queue.

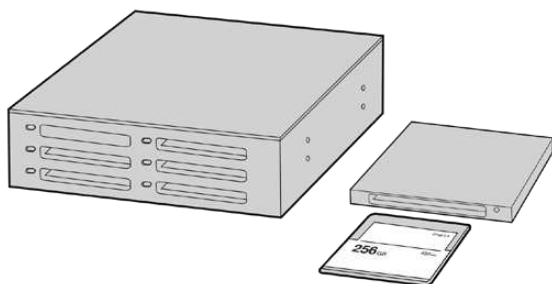
When your render is complete you can open the folder location, double click on your new rendered clip and watch your finished edit.

Now that you have a basic knowledge of how to edit, color, mix audio and add visual effects, we recommend experimenting with DaVinci Resolve. Refer to the DaVinci Resolve manual for more details on how each feature can help you make the most of your project!

Working with Third Party Software

To edit your clips using your favorite editing software such as DaVinci Resolve, you can copy your clips from your camera to an external drive or RAID and then import your clips into the software. You can also import your clips directly from your storage media using a dock or adapter for your CFast or SD card, or via the USB-C port for a USB-C flash disk.

Working with Files from CFast 2.0 and SD cards



Edit directly from your CFast or SD card by removing it from your camera and mounting it on your computer using a CFast 2.0 reader/writer or CFast drive

To import your clips from a CFast 2.0 or SD card:

- 1 Remove the CFast or SD card from your Blackmagic Pocket Cinema Camera.
Mount the CFast or SD card to your Mac or Windows computer using a CFast 2.0 card reader SD card reader or CFast drive.
- 2 Double click on the CFast or SD card to open it and you should see folders that contain your Blackmagic RAW files or a list of QuickTime movie files. Depending on the format you chose to record in, you might have a mixture of files, but they should all use the same naming convention.
- 3 Drag the files you want from the CFast or SD card onto your desktop or another drive, or you can access the files straight from the CFast or SD card using your editing software.
- 4 Before you unplug the CFast or SD card from your computer, it is important to always eject your CFast or SD card from macOS or Windows. Removing your card without ejecting can corrupt footage.

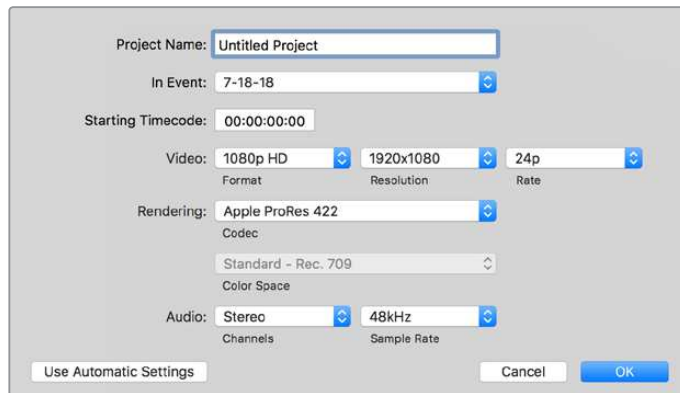
Working with Files from USB-C flash disks

To import your clips from a USB-C flash disk:

- 1 Unplug the USB-C flash disk from your camera.
- 2 Mount the USB-C flash disk to your Mac or Windows computer via a USB-C port on your computer. USB 3.0 is preferable as USB 2.0 is not fast enough to edit video in real time.
- 3 Double click on the USB-C flash disk to open it and you should see a list of QuickTime movie files or Blackmagic RAW files. Depending on the format you chose to record in, you might have a mixture of files, but they should all use the same naming convention.
- 4 Drag the files you want from the USB-C flash disk onto your desktop or another hard drive, or you can access the files straight from the USB-C flash disk using your NLE software.
- 5 Before you unplug the USB-C flash disk from your computer, it is important to eject the USB-C flash disk first.

Using Final Cut Pro X

To edit your clips using Final Cut Pro X, you need to create a new project and set a suitable video format and frame rate. This example uses ProRes 422 HQ 1080p24.



Final Cut Pro X project settings

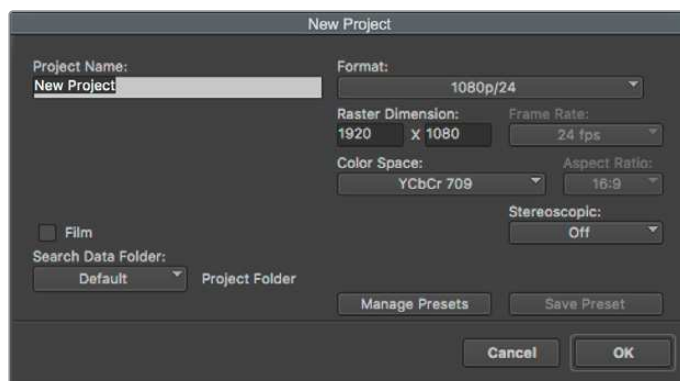
- 1 Launch Final Cut Pro X, go to the 'menu' bar and select 'file/new project'. A window will open containing project settings.
- 2 Name your project and select the 'custom' checkbox.
- 3 Set the 'video properties' settings to 1080p HD, 1920x1080 and 24p.
- 4 Set your 'audio' and 'render properties' settings to 'stereo, 48kHz, and Apple ProRes 422 HQ'
- 5 Click OK.

To import your clips into your project, go to the 'menu' bar and select 'file/import/media'. Choose your clips from your CFast card.

You can now drag your clips onto the timeline for editing.

Using Avid Media Composer 2018

To edit your clips using Avid Media Composer 2018, create a new project and set a suitable video format and frame rate. For this example, clips are set using 1080p24.



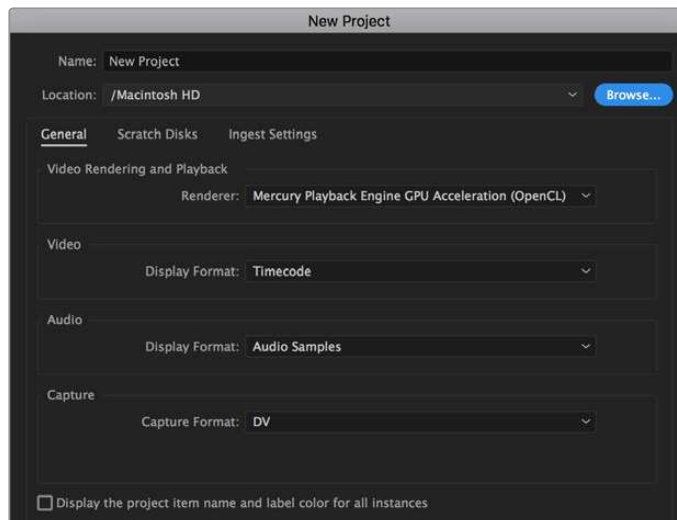
Setting the project name and project options in Avid Media Composer 2018

- 1 Launch Avid Media Composer 2018 and the 'select project' window will appear.
- 2 Click the 'new project' button and name your project in the 'new project' window.
- 3 In the 'format' drop down menu select HD 1080 > 1080p/24 and click 'ok' to create the project.
- 4 Double click the project in the 'select project' window to open it.
- 5 Select file > input > source browser and navigate to the files you wish to import.
- 6 Select your 'target bin' from the drop down menu and click 'import'.

When the clips appear in the media bin you can drag your clips onto the timeline and begin editing.

Using Adobe Premiere Pro CC

To edit your Apple ProRes 422 HQ clips using Adobe Premiere Pro CC, you need to create a new project and set a suitable video format and frame rate. For this example, clips are set using ProRes 422 HQ 1080p25.



Setting the project name and project options in Adobe Premiere Pro CC

- 1 Launch Adobe Premiere Pro CC. In the 'welcome' window select 'new project'. A window will open containing project settings.
- 2 Name your project. Choose the location for your project by clicking 'browse' and selecting your desired folder. Once you've selected your location folder click OK in the 'new project' window.
- 3 Go to the Adobe Premiere Pro CC 'menu' bar, select 'file/import' and choose the clips you want to edit. Your clips will appear in the project window.
- 4 Drag the first clip you wish to edit onto the 'new item' icon at the bottom right of the project window. A new sequence will be created matching your clip settings.

You can now drag your clips onto the sequence timeline for editing.

Blackmagic Camera Setup Utility

Updating Camera Software – Mac

After downloading the Blackmagic Camera Setup utility software and unzipping the downloaded file, open the resulting disk image to reveal the Blackmagic Camera Setup Installer.

Launch the installer and follow the on screen instructions. After the installation has finished, go to your applications folder and open the Blackmagic Cameras folder, where you'll find this manual, the Blackmagic Camera setup utility, plus a documents folder containing readme files and information. You'll also find an uninstaller for when updating to later versions of Blackmagic Camera Setup.



Updating Camera Software – Windows

After downloading the Blackmagic Camera Setup utility software and unzipping the downloaded file, you should see a Blackmagic Camera Setup folder containing this PDF manual and the Blackmagic Camera Setup Installer. Double-click the installer and follow the on screen prompts to complete the installation.

In Windows 10, click the start button and select 'all apps'. Scroll down to the Blackmagic design folder. From here you can launch Blackmagic Camera Setup.

In Windows 8.1, select the down arrow icon from the 'start' screen, and scroll down to the Blackmagic Design folder. From here you can launch Blackmagic Camera Setup.

Updating your Camera's Internal Software

After installing the latest Blackmagic Camera Setup utility on your computer, connect a USB-C cable between the computer and your camera.

The USB-C port is located on the left side panel. Simply open the rubber cap to access the port.

Launch the Blackmagic Camera Setup utility and follow the on screen prompts to update the camera software.

Recommended Recording Media

CFast 2.0 Cards

Recommended for Pocket Cinema Camera 6K

The following CFast 2.0 cards are recommended for recording 6K Blackmagic RAW 5:1 up to 50 fps on Pocket Cinema Camera 6K.

Brand	Card Name	Storage
Angelbird	AV PRO CF XT	512GB
CinediskPro	510MB/s CFast 2.0	256GB
Hagiwara Solutions	DC-SMAN64GA CFast 2.0	64GB
Hagiwara Solutions	DC-SMANA1GA CFast 2.0	128GB
KomputerBay	3400x CFast 2.0	64GB
KomputerBay	3400x CFast 2.0	128GB
Lexar	Professional 3400X CFast 2.0	128GB
Lexar	Professional 3500X CFast 2.0	128GB
ProGrade Digital	510MB/s CFast 2.0	128GB
ProGrade Digital	550MB/s CFast 2.0	256GB
ProGrade Digital	550MB/s CFast 2.0	512GB
Transcend	CFX650 CFast 2.0 TS128GCFX650	128GB
SanDisk	Extreme Pro CFast 2.0 SDCFSP-64G-x46D	64GB
SanDisk	Extreme Pro CFast 2.0 SDCFSP-128G-x46D	128GB
SanDisk	Extreme Pro CFast 2.0 SDCFSP-256G-x46D	256GB
SanDisk	Extreme Pro CFast 2.0 SDCFSP-512G-x46D	512GB
Silicon Power	CFX310 CFast 2.0	512GB
Sony	CFast 2.0 G Series CAT-G64	64GB
Sony	CFast 2.0 G Series CAT-G128	128GB
Wise	CFA-2560 3400x CFast 2.0	256GB
Wise	CFA-5120 3500x CFast 2.0	512GB
Wise	CFA-10240 3500X CFast 2.0	1TB

The following CFast 2.0 cards are recommended for recording 6K 2.4:1 Blackmagic RAW 5:1 up to 60 fps on Pocket Cinema Camera 6K.

Brand	Card Name	Storage
Angelbird	AV PRO CF XT	512GB
CinediskPro	510MB/s CFast 2.0	256GB
Hagiwara Solutions	DC-SMAN64GA CFast 2.0	64GB
Hagiwara Solutions	DC-SMANA1GA CFast 2.0	128GB

Brand	Card Name	Storage
KomputerBay	3400x CFast 2.0	64GB
KomputerBay	3400x CFast 2.0	128GB
Lexar	Professional 3400X CFast 2.0	128GB
Lexar	Professional 3500X CFast 2.0	128GB
ProGrade Digital	510MB/s CFast 2.0	128GB
ProGrade Digital	550MB/s CFast 2.0	256GB
ProGrade Digital	550MB/s CFast 2.0	512GB
Transcend	CFX650 CFast 2.0 TS128GCFX650	128GB
SanDisk	Extreme Pro CFast 2.0 SDCFSP-64G-x46D	64GB
SanDisk	Extreme Pro CFast 2.0 SDCFSP-128G-x46D	128GB
SanDisk	Extreme Pro CFast 2.0 SDCFSP-256G-x46D	256GB
SanDisk	Extreme Pro CFast 2.0 SDCFSP-512G-x46D	512GB
Silicon Power	CFX310 CFast 2.0	256GB
Silicon Power	CFX310 CFast 2.0	512GB
Sony	CFast 2.0 G Series CAT-G64	64GB
Sony	CFast 2.0 G Series CAT-G128	128GB
Wise	CFA-1280 3400x CFast 2.0	128GB
Wise	CFA-2560 3400x CFast 2.0	256GB
Wise	CFA-5120 3500x CFast 2.0	512GB
Wise	CFA-10240 3500X CFast 2.0	1TB

The following CFast 2.0 cards are recommended for recording 2.8K 17:9 Blackmagic RAW 3:1 up to 120 fps on Pocket Cinema Camera 6K.

Brand	Card Name	Storage
Angelbird	AV PRO CF XT	512GB
CinediskPro	510MB/s CFast 2.0	256GB
Hagiwara Solutions	DC-SMAN64GA CFast 2.0	64GB
Hagiwara Solutions	DC-SMANA1GA CFast 2.0	128GB
KomputerBay	3400x CFast 2.0	64GB
KomputerBay	3400x CFast 2.0	128GB
Lexar	Professional 3400X CFast 2.0	128GB
Lexar	Professional 3500X CFast 2.0	128GB
Lexar	Professional 3400X CFast 2.0	256GB
ProGrade Digital	510MB/s CFast 2.0	128GB
ProGrade Digital	550MB/s CFast 2.0	256GB
ProGrade Digital	550MB/s CFast 2.0	512GB

Brand	Card Name	Storage
Transcend	CFX650 CFast 2.0 TS128GCFX650	128GB
SanDisk	Extreme Pro CFast 2.0 SDCFSP-64G-x46D	64GB
SanDisk	Extreme Pro CFast 2.0 SDCFSP-128G-x46D	128GB
SanDisk	Extreme Pro CFast 2.0 SDCFSP-256G-x46D	256GB
SanDisk	Extreme Pro CFast 2.0 SDCFSP-512G-x46D	512GB
Silicon Power	CFX310 CFast 2.0	256GB
Silicon Power	CFX310 CFast 2.0	512GB
Sony	CFast 2.0 G Series CAT-G64	64GB
Sony	CFast 2.0 G Series CAT-G128	128GB
Wise	CFA-1280 3400x CFast 2.0	128GB
Wise	CFA-2560 3400x CFast 2.0	256GB
Wise	CFA-5120 3500x CFast 2.0	512GB
Wise	CFA-10240 3500X CFast 2.0	1TB

The following CFast 2.0 cards are recommended for recording 4K DCI ProRes HQ up to 60 fps on Pocket Cinema Camera 6K.

Brand	Card Name	Storage
Angelbird	AV PRO CF XT	512GB
CinediskPro	510MB/s CFast 2.0	256GB
Hagiwara Solutions	DC-SMAN64GA CFast 2.0	64GB
Hagiwara Solutions	DC-SMANA1GA CFast 2.0	128GB
KomputerBay	3400x CFast 2.0	64GB
KomputerBay	3400x CFast 2.0	128GB
Lexar	Professional 3400X CFast 2.0	128GB
Lexar	Professional 3500X CFast 2.0	128GB
Lexar	Professional 3400X CFast 2.0	256GB
ProGrade Digital	510MB/s CFast 2.0	128GB
ProGrade Digital	550MB/s CFast 2.0	256GB
ProGrade Digital	550MB/s CFast 2.0	512GB
Transcend	CFX650 CFast 2.0 TS128GCFX650	128GB
SanDisk	Extreme Pro CFast 2.0 SDCFSP-64G-x46D	64GB
SanDisk	Extreme Pro CFast 2.0 SDCFSP-128G-x46D	128GB
SanDisk	Extreme Pro CFast 2.0 SDCFSP-256G-x46D	256GB
SanDisk	Extreme Pro CFast 2.0 SDCFSP-512G-x46D	512GB
Silicon Power	CFX310 CFast 2.0	256GB
Silicon Power	CFX310 CFast 2.0	512GB

Brand	Card Name	Storage
Sony	CFast 2.0 G Series CAT-G64	64GB
Sony	CFast 2.0 G Series CAT-G128	128GB
Wise	CFA-1280 3400x CFast 2.0	128GB
Wise	CFA-2560 3400x CFast 2.0	256GB
Wise	CFA-5120 3500x CFast 2.0	512GB
Wise	CFA-10240 3500X CFast 2.0	1TB

The following CFast 2.0 cards are recommended for recording 1080 ProRes 422 HQ up to 120 fps on Pocket Cinema Camera 6K.

Brand	Card Name	Storage
Angelbird	AV PRO CF XT	512GB
CinediskPro	510MB/s CFast 2.0	256GB
Hagiwara Solutions	DC-SMAN64GA CFast 2.0	64GB
Hagiwara Solutions	DC-SMANA1GA CFast 2.0	128GB
KomputerBay	3400x CFast 2.0	64GB
KomputerBay	3400x CFast 2.0	128GB
Lexar	Professional 3400X CFast 2.0	128GB
Lexar	Professional 3500X CFast 2.0	128GB
Lexar	Professional 3400X CFast 2.0	256GB
ProGrade Digital	510MB/s CFast 2.0	128GB
ProGrade Digital	550MB/s CFast 2.0	256GB
ProGrade Digital	550MB/s CFast 2.0	512GB
Transcend	CFX650 CFast 2.0 TS128GCFX650	128GB
SanDisk	Extreme Pro CFast 2.0 SDCFSP-64G-x46D	64GB
SanDisk	Extreme Pro CFast 2.0 SDCFSP-128G-x46D	128GB
SanDisk	Extreme Pro CFast 2.0 SDCFSP-256G-x46D	256GB
SanDisk	Extreme Pro CFast 2.0 SDCFSP-512G-x46D	512GB
Silicon Power	CFX310 CFast 2.0	256GB
Silicon Power	CFX310 CFast 2.0	512GB
Sony	CFast 2.0 G Series CAT-G64	64GB
Sony	CFast 2.0 G Series CAT-G128	128GB
Wise	CFA-1280 3400x CFast 2.0	128GB
Wise	CFA-2560 3400x CFast 2.0	256GB
Wise	CFA-5120 3500x CFast 2.0	512GB
Wise	CFA-10240 3500X CFast 2.0	1TB

Recommended for Pocket Cinema Camera 4K

The following CFast 2.0 cards are recommended for recording 4K DCI Blackmagic RAW 3:1 up to 60 fps on Pocket Cinema Camera 4K.

Brand	Card Name	Storage
Angelbird	AV PRO CF	512GB
Angelbird	AV PRO CF	1TB
CinediskPro	510MB/s CFast 2.0	256GB
Hagiwara Solutions	DC-SMAN64GA CFast 2.0	64GB
Hagiwara Solutions	DC-SMANA1GA CFast 2.0	128GB
KomputerBay	3400x CFast 2.0	64GB
KomputerBay	3400x CFast 2.0	128GB
KomputerBay	3700x CFast 2.0	256GB
Lexar	Professional 3400x CFast 2.0	128GB
Lexar	Professional 3500x CFast 2.0	256GB
ProGrade Digital	550MB/s CFast 2.0	128GB
ProGrade Digital	550MB/s CFast 2.0	256GB
ProGrade Digital	550MB/s CFast 2.0	512GB
SanDisk	Extreme Pro CFast 2.0 SDCFSP-256G-x46D	512GB
Wise	CFA-1280 3400x CFast 2.0	128GB
Wise	CFA-2560 3400x CFast 2.0	256GB
Wise	CFA-5120 3500x CFast 2.0	512GB
Wise	CFA-10240 3500x CFast 2.0	1TB

The following CFast 2.0 cards are recommended for recording 4K DCI ProRes HQ up to 60 fps on Pocket Cinema Camera 4K.

Brand	Card Name	Storage
Angelbird	AV PRO CF	128GB
Angelbird	AV PRO CF	256GB
Angelbird	AV PRO CF	512GB
CinediskPro	510MB/s CFast 2.0	256GB
Hagiwara Solutions	DC-SMAN64GA CFast 2.0	64GB
Hagiwara Solutions	DC-SMANA1GA CFast 2.0	128GB
KomputerBay	3400x CFast 2.0	128GB
KomputerBay	3700x CFast 2.0	256GB
ProGrade Digital	550MB/s CFast 2.0	256GB
ProGrade Digital	550MB/s CFast 2.0	512GB

Brand	Card Name	Storage
SanDisk	Extreme Pro CFast 2.0 SDCFSP-64G-x46D	64GB
SanDisk	Extreme Pro CFast 2.0 SDCFSP-128G-x46D	128GB
SanDisk	Extreme Pro CFast 2.0 SDCFSP-256G-x46D	256GB
Sony	CFast 2.0 G Series CAT-G64	64GB
Sony	CFast 2.0 G Series CAT-G128	128GB
Wise	CFA-1280 3400x CFast 2.0	128GB
Wise	CFA-2560 3400x CFast 2.0	256GB
Wise	CFA-5120 3500x CFast 2.0	512GB
Wise	CFA-10240 3500x CFast 2.0	1TB

The following CFast 2.0 cards are recommended for recording 4K DCI Lossless RAW up to 30 fps on Blackmagic Pocket Cinema Camera 4K.

Brand	Card Name	Storage
Angelbird	AV PRO CF	128GB
Angelbird	AV PRO CF	256GB
Angelbird	AV PRO CF	512GB
CinediskPro	510MB/s CFast 2.0	256GB
KomputerBay	3400x CFast 2.0	128GB
ProGrade Digital	550MB/s CFast 2.0	256GB
ProGrade Digital	550MB/s CFast 2.0	512GB
SanDisk	Extreme Pro CFast 2.0 SDCFSP-64G-x46D	64GB
SanDisk	Extreme Pro CFast 2.0 SDCFSP-128G-x46D	128GB
SanDisk	Extreme Pro CFast 2.0 SDCFSP-256G-x46D	256GB
Sony	CFast 2.0 G Series CAT-G64	64GB
Sony	CFast 2.0 G Series CAT-G128	128GB
Wise	CFA-1280 3400x CFast 2.0	128GB
Wise	CFA-2560 3400x CFast 2.0	256GB
Wise	CFA-5120 3500x CFast 2.0	512GB

The following CFast 2.0 cards are recommended for recording 4K DCI 3:1 RAW up to 60 fps on Blackmagic Pocket Cinema Camera 4K.

Brand	Card Name	Storage
Angelbird	AV PRO CF	128GB
Angelbird	AV PRO CF	256GB
Angelbird	AV PRO CF	512GB
CinediskPro	510MB/s CFast 2.0	256GB

Brand	Card Name	Storage
KomputerBay	3400x CFast 2.0	128GB
ProGrade Digital	550MB/s CFast 2.0	256GB
ProGrade Digital	550MB/s CFast 2.0	512GB
SanDisk	Extreme Pro CFast 2.0 SDCFSP-64G-x46D	64GB
SanDisk	Extreme Pro CFast 2.0 SDCFSP-128G-x46D	128GB
SanDisk	Extreme Pro CFast 2.0 SDCFSP-256G-x46D	256GB
Sony	CFast 2.0 G Series CAT-G64	64GB
Sony	CFast 2.0 G Series CAT-G128	128GB
Wise	CFA-1280 3400x CFast 2.0	128GB
Wise	CFA-2560 3400x CFast 2.0	256GB
Wise	CFA-5120 3500x CFast 2.0	512GB

SD Cards

Recommended for Pocket Cinema Camera 6K

The following SD cards are recommended for recording 6K 16:9 Blackmagic RAW 5:1 up to 30 fps on Pocket Cinema Camera 6K.

Brand	Card Name	Storage
Angelbird	AV PRO SD V90	64GB
Sony	Tough SF-G32T	32GB
Sony	Tough SF-G64T	64GB
Sony	Tough SF-G128T	128GB
Toshiba	Exceria Pro UHS-II 270MB/s SDXC	64GB
Wise	SD2-128U3 SDXC UHS-II	128GB

The following SD cards are recommended for recording 6K 16:9 Blackmagic RAW 8:1 up to 30 fps on Pocket Cinema Camera 6K.

Brand	Card Name	Storage
Angelbird	AV PRO SD V90	64GB
Sony	Tough SF-G32T	32GB
Sony	Tough SF-G64T	64GB
Sony	Tough SF-G128T	128GB
Toshiba	Exceria Pro UHS-II 270MB/s SDXC	64GB
Toshiba	Exceria Pro UHS-II 270MB/s SDXC	128GB
Toshiba	Exceria Pro UHS-II N502 SDXC	128GB
Wise	SD2-128U3 SDXC UHS-II	128GB

The following SD cards are recommended for recording 6K 2.4:1 Blackmagic RAW 12:1 up to 60 fps on Pocket Cinema Camera 6K.

Brand	Card Name	Storage
Angelbird	AV PRO SD V90	64GB
Sony	Tough SF-G32T	32GB
Sony	Tough SF-G64T	64GB
Sony	Tough SF-G128T	128GB
Toshiba	Exceria Pro UHS-II 270MB/s SDXC	64GB
Toshiba	Exceria Pro UHS-II 270MB/s SDXC	128GB
Toshiba	Exceria Pro UHS-II N502 SDXC	128GB

The following SD cards are recommended for recording 4K DCI ProRes HQ up to 60 fps on Pocket Cinema Camera 6K.

Brand	Card Name	Storage
Angelbird	AV PRO SD V90	64GB
Delkin Devices	Power SDXC USH-II	64GB
Delkin Devices	Prime SDXC USH-II	128GB
ProGrade Digital	V90 UHS-II 250MB/s SDXC	128GB
ProGrade Digital	V90 UHS-II 250MB/s SDXC	256GB
Sony	Tough SF-G32T	32GB
Sony	Tough SF-G64T	64GB
Sony	Tough SF-G128T	128GB
Wise	SD2-64U3 SDXC UHS-II	64GB
Wise	SD2-128U3 SDXC UHS-II	128GB
Toshiba	Exceria Pro UHS-II N502 SDXC	128GB

The following SD cards are recommended for recording 1080 ProRes 422 HQ up to 120 fps on Pocket Cinema Camera 6K.

Brand	Card Name	Storage
Angelbird	AV PRO SD V90	64GB
Delkin Devices	Power SDXC USH-II	64GB
Delkin Devices	Prime SDXC USH-II	128GB
Lexar	Professional 2000x UHS-II 300MB/s SDXC	64GB
Lexar	Professional 2000x UHS-II 300MB/s SDXC	128GB
ProGrade Digital	V90 UHS-II 250MB/s SDXC	256GB
Sony	Tough SF-G32T	32GB
Sony	Tough SF-G64T	64GB

Brand	Card Name	Storage
Sony	Tough SF-G128T	128GB
Toshiba	Exceria Pro UHS-II 270MB/s SDXC	64GB
Toshiba	Exceria Pro UHS-II 270MB/s SDXC	128GB
Toshiba	Exceria Pro UHS-II N502 SDXC	128GB
Toshiba	Exceria Pro UHS-II N502 SDXC	256GB
Wise	SD2-64U3 SDXC UHS-II	64GB
Wise	SD2-128U3 SDXC UHS-II	128GB

Recommended for Pocket Cinema Camera 4K

The following SD cards are recommended for recording 4K DCI Blackmagic RAW 12:1 up to 30 fps on Pocket Cinema Camera 4K.

Brand	Card Name	Storage
Angelbird	AV PRO SD V90	64GB
Delkin Devices	Power UHS-II SDXC	64GB
Delkin Devices	Power UHS-II SDXC	128GB
Lexar	Professional 2000x UHS-II 300MB/s SDXC	64GB
ProGrade Digital	V90 UHS-II 250MB/s SDXC	256GB
SanDisk	Extreme Pro UHS-I 95MB/s SDXC	512GB
Sony	Tough SF-G64T	64GB
Sony	Tough SF-G128T	128GB
Sony	SF-G64 300MB/s UHS-II SDXC	64GB
Toshiba	Exceria Pro UHS-II N502 SDHC	32GB
Toshiba	Exceria Pro UHS-II 270MB/s SDXC	64GB
Wise	SD2-64U3 SDXC UHS-II	64GB
Wise	SD2-128U3 SDXC UHS-II	128GB
Wise	SD2-128U3 SDXC UHS-II	128GB

The following SD cards are recommended for recording 4K DCI ProRes HQ up to 60 fps on Pocket Cinema Camera 4K.

Brand	Card Name	Storage
Wise	SD2-64U3 SDXC UHS-II	64GB
Wise	SD2-128U3 SDXC UHS-II	128GB
Sony	Tough SF-G64T	64GB
Sony	Tough SF-G128T	128GB

The following SD cards are recommended for recording 4K DCI 4:1 RAW up to 60 fps on Pocket Cinema Camera 4K.

Brand	Card Name	Storage
Sony	Tough SF-G64T	64GB
Sony	Tough SF-G128T	128GB
Toshiba	Exceria Pro UHS-II N502 SDXC	32GB

The following SD cards are recommended for recording 4K DCI Lossless RAW up to 24 fps on Pocket Cinema Camera 4K.

Brand	Card Name	Storage
Wise	SD2-64U3 SDXC UHS-II	64GB
Wise	SD2-128U3 SDXC UHS-II	128GB
Toshiba	Exceria Pro UHS-II N502 SDXC	32GB
Sony	Tough SF-G64T	64GB
Sony	Tough SF-G128T	128GB

The following SD cards are recommended for recording 1080p Lossless RAW up to 60 fps on Pocket Cinema Camera 4K.

Brand	Card Name	Storage
Wise	SD2-64U3 SDXC UHS-II	64GB
Wise	SD2-128U3 SDXC UHS-II	128GB
Sony	Tough SF-G64T	64GB
Sony	Tough SF-G128T	128GB
Toshiba	Exceria Pro UHS-II N502 SDXC	32GB
Toshiba	Exceria Pro UHS-II N502 SDXC	64GB
Toshiba	Exceria Pro UHS-II N502 SDXC	128GB
Toshiba	Exceria Pro UHS-II N502 SDXC	256GB
Sony	Tough SF-G128T	128GB

USB-C SSD

Recommended for Pocket Cinema Camera 6K

The following USB-C drives are recommended for recording 6K Blackmagic RAW 5:1 up to 50 fps on Pocket Cinema Camera 6K.

Brand	Card Name	Storage
Wise	PTS-1024 Portable SSD	1TB

The following USB-C drives are recommended for recording 6K 2.4:1 Blackmagic RAW 5:1 up to 60 fps on Pocket Cinema Camera 6K.

Brand	Card Name	Storage
Samsung	Portable SSD T5	250GB
Samsung	Portable SSD T5	2TB
Wise	PTS-1024 Portable SSD	1TB

The following USB-C drives are recommended for recording 2.8K 17:9 Blackmagic RAW 3:1 up to 120 fps on Pocket Cinema Camera 6K.

Brand	Card Name	Storage
Samsung	Portable SSD T5	250GB
Samsung	Portable SSD T5	2TB
Wise	PTS-512 Portable SSD	512GB
Wise	PTS-1024 Portable SSD	1TB

The following USB-C drives are recommended for recording 4K DCI ProRes HQ up to 60 fps on Pocket Cinema Camera 6K.

Brand	Card Name	Storage
Samsung	Portable SSD T5	250GB
Samsung	Portable SSD T5	1TB
Samsung	Portable SSD T5	2TB
SanDisk	Extreme Portable SSD	1TB
Wise	PTS-512 Portable SSD	512GB
Wise	PTS-1024 Portable SSD	1TB
Wise	PTS-1024 Portable SSD	1TB

The following USB-C drives are recommended for recording 1080 ProRes 422 HQ up to 120 fps on Pocket Cinema Camera 6K.

Brand	Card Name	Storage
Samsung	Portable SSD T5	250GB
Samsung	Portable SSD T5	1TB
Samsung	Portable SSD T5	2TB
SanDisk	Extreme Portable SSD	1TB
Wise	PTS-512 Portable SSD	512GB
Wise	PTS-1024 Portable SSD	1TB
Wise	PTS-1024 Portable SSD	1TB

Recommended for Pocket Cinema Camera 4K

The following USB-C drives are recommended for recording 4K DCI Blackmagic RAW 3:1 up to 60 fps on Pocket Cinema Camera 4K.

Brand	Card Name	Storage
Angelbird	SSD2GO PKT	512GB
Angelbird	SSD2GO PKT	2TB
G-Technology	G-DRIVE Mobile SSD	1TB
Samsung	Portable SSD T5	2TB
Wise	PTS-512 Portable SSD	512GB

The following USB-C drives are recommended for recording 4K DCI ProRes HQ up to 60 fps on Pocket Cinema Camera 4K.

Brand	Card Name	Storage
Angelbird	SSD2GO PKT	512GB
Angelbird	SSD2GO PKT	2TB
Glyph	Atom	500GB
Lacie	Portable SSD	500GB
Samsung	Portable SSD T5	500GB
Samsung	Portable SSD T5	1TB
SanDisk	Extreme Portable SSD	1TB
Seagate	Fast SSD	250GB
Wise	PTS-256 Portable SSD	256GB
Wise	PTS-512 Portable SSD	512GB
Wise	PTS-1024 Portable SSD	1TB

The following USB-C drives are recommended for recording 4K DCI Lossless RAW up to 30 fps on Pocket Cinema Camera 4K.

Brand	Card Name	Storage
Angelbird	SSD2GO PKT	512GB
Angelbird	SSD2GO PKT	2TB
Samsung	Portable SSD T5	1TB
Wise	PTS-256 Portable SSD	256GB
Wise	PTS-512 Portable SSD	512GB
Wise	PTS-1024 Portable SSD	1TB

The following USB-C drives are recommended for recording 4K DCI 3:1 RAW up to 60 fps on Pocket Cinema Camera 4K.

Brand	Card Name	Storage
Angelbird	SSD2GO PKT	512GB
Angelbird	SSD2GO PKT	2TB
Samsung	Portable SSD T5	500GB
Samsung	Portable SSD T5	1TB
Wise	PTS-256 Portable SSD	256GB
Wise	PTS-512 Portable SSD	512GB
Wise	PTS-1024 Portable SSD	1TB

Developer Information

Blackmagic Bluetooth Camera Control

Blackmagic cameras with Bluetooth LE implement a variety of features and commands that allow users to control their cameras wirelessly. Developers have full access to these features for their custom applications.

The following services and characteristics describe the full range of communication options that are available to the developer.

Service: Device Information Service

UUID: 180A

Characteristics

Camera Manufacturer

UUID: 2A29

Read the name of the manufacturer (always “Blackmagic Design”).

Camera Model

UUID: 2A24

Read the name of the camera model (“Pocket Cinema Camera 6K” or “Pocket Cinema Camera 4K”).

Service: Blackmagic Camera Service

UUID: 291D567A-6D75-11E6-8B77-86F30CA893D3

Characteristics

Outgoing Camera Control (encrypted)

UUID: 5DD3465F-1AEE-4299-8493-D2ECA2F8E1BB

Send Camera Control messages

These messages are identical to those described in the Blackmagic SDI Camera Control Protocol section below. Please read that section for a list of supported messages and required formatting information.

For an example of how packets are structured, please see the ‘example protocol packets’ section in this document.

Incoming Camera Control (encrypted)

UUID: B864E140-76A0-416A-BF30-5876504537D9

Request notifications for this characteristic to receive Camera Control messages from the camera.

These messages are identical to those described in the Blackmagic SDI Camera Control Protocol section below. Please read that section for a list of supported messages and required formatting information.

Timecode (encrypted)

UUID: 6D8F2110-86F1-41BF-9AFB-451D87E976C8

Request notifications for this characteristic to receive timecode updates.

Timecode (HH:MM:SS:mm) is represented by a 32-bit BCD number:
(eg. 09:12:53:10 = 0x09125310)

Camera Status (encrypted)

UUID: 7FE8691D-95DC-4FC5-8ABD-CA74339B51B9

Request notifications for this characteristic to receive camera status updates.

The camera status is represented by flags contained in an 8-bit integer:

None	= 0x00
Camera Power On	= 0x01
Connected	= 0x02
Paired	= 0x04
Versions Verified	= 0x08
Initial Payload Received	= 0x10
Camera Ready	= 0x20

Send a value of 0x00 to power a connected camera off.

Send a value of 0x01 to power a connected camera on.

Device Name

UUID: FFAC0C52-C9FB-41A0-B063-CC76282EB89C

Send a device name to the camera (max. 32 characters).

The camera will display this name in the Bluetooth Setup Menu.

Protocol Version

UUID: 8F1FD018-B508-456F-8F82-3D392BEE2706

Read this value to determine the camera's supported CCU protocol version.

NOTE Encrypted characteristics can only be used once a device has successfully bonded or paired with the Blackmagic Camera. Once a connection has been established, any attempt to write to an encrypted characteristic will initiate bonding. For example, writing a 'Camera Power On' (0x01) message to the Camera Status characteristic.

Once bonding is initiated, the camera will display a 6-digit pin in the Bluetooth Setup Menu. Enter this pin on your device to establish an encrypted connection. The device will now be able to read, write and receive notifications from encrypted characteristics.

Blackmagic SDI and Bluetooth Camera Control Protocol

Version 1.4

If you are a software developer you can use the Blackmagic SDI and Bluetooth Camera Control Protocol to construct devices that integrate with our products. Here at Blackmagic Design, our approach is to open up our protocols and we eagerly look forward to seeing what you come up with!

Overview

This document describes an extensible protocol for sending a unidirectional stream of small control messages embedded in the non-active picture region of a digital video stream. The video stream containing the protocol stream may be broadcast to a number of devices. Device addressing is used to allow the sender to specify which device each message is directed to.

Assumptions

Alignment and padding constraints are explicitly described in the protocol document. Bit fields are packed from LSB first. Message groups, individual messages and command headers are defined as, and can be assumed to be, 32 bit aligned.

Blanking Encoding

A message group is encoded into a SMPTE 291M packet with DID/SDID x51/x53 in the active region of VANC line 16.

Message Grouping

Up to 32 messages may be concatenated and transmitted in one blanking packet up to a maximum of 255 bytes payload. Under most circumstances, this should allow all messages to be sent with a maximum of one frame latency.

If the transmitting device queues more bytes of message packets than can be sent in a single frame, it should use heuristics to determine which packets to prioritize and send immediately. Lower priority messages can be delayed to later frames, or dropped entirely as appropriate.

Abstract Message Packet Format

Every message packet consists of a three byte header followed by an optional variable length data block. The maximum packet size is 64 bytes.

Destination device (uint8)	Device addresses are represented as an 8 bit unsigned integer. Individual devices are numbered 0 through 254 with the value 255 reserved to indicate a broadcast message to all devices.
Command length (uint8)	The command length is an 8 bit unsigned integer which specifies the length of the included command data. The length does NOT include the length of the header or any trailing padding bytes.
Command id (uint8)	The command id is an 8 bit unsigned integer which indicates the message type being sent. Receiving devices should ignore any commands that they do not understand. Commands 0 through 127 are reserved for commands that apply to multiple types of devices. Commands 128 through 255 are device specific.
Reserved (uint8)	This byte is reserved for alignment and expansion purposes. It should be set to zero.

Command data (uint8[])	The command data may contain between 0 and 60 bytes of data. The format of the data section is defined by the command itself.
Padding (uint8[])	Messages must be padded up to a 32 bit boundary with 0x0 bytes. Any padding bytes are NOT included in the command length.

Receiving devices should use the destination device address and or the command identifier to determine which messages to process. The receiver should use the command length to skip irrelevant or unknown commands and should be careful to skip the implicit padding as well.

Defined Commands

Command 0 : change configuration

Category (uint8)	The category number specifies one of up to 256 configuration categories available on the device.
Parameter (uint8)	The parameter number specifies one of 256 potential configuration parameters available on the device. Parameters 0 through 127 are device specific parameters. Parameters 128 through 255 are reserved for parameters that apply to multiple types of devices.
Data type (uint8)	The data type specifies the type of the remaining data. The packet length is used to determine the number of elements in the message. Each message must contain an integral number of data elements.

Currently defined values are:

0: void / boolean	A void value is represented as a boolean array of length zero. The data field is a 8 bit value with 0 meaning false and all other values meaning true.
1: signed byte	Data elements are signed bytes
2: signed 16 bit integer	Data elements are signed 16 bit values
3: signed 32 bit integer	Data elements are signed 32 bit values
4: signed 64 bit integer	Data elements are signed 64 bit values
5: UTF-8 string	Data elements represent a UTF-8 string with no terminating character.

Data types 6 through 127 are reserved.

128: signed 5.11 fixed point	Data elements are signed 16 bit integers representing a real number with 5 bits for the integer component and 11 bits for the fractional component. The fixed point representation is equal to the real value multiplied by 2^{11} . The representable range is from -16.0 to 15.9995 ($15 + 2047/2048$).
-------------------------------------	---

Data types 129 through 255 are available for device specific purposes.

Operation type (uint8)	The operation type specifies what action to perform on the specified parameter. Currently defined values are:
0: assign value	The supplied values are assigned to the specified parameter. Each element will be clamped according to its valid range. A void parameter may only be 'assigned' an empty list of boolean type. This operation will trigger the action associated with that parameter. A boolean value may be assigned the value zero for false, and any other value for true.
1: offset / toggle value	Each value specifies signed offsets of the same type to be added to the current parameter values. The resulting parameter value will be clamped according to their valid range. It is not valid to apply an offset to a void value. Applying any offset other than zero to a boolean value will invert that value.
Operation types 2 through 127 are reserved.	
Operation types 128 through 255 are available for device specific purposes.	
Data (void)	The data field is 0 or more bytes as determined by the data type and number of elements.

The category, parameter, data type and operation type partition a 24 bit operation space.

Group	ID	Parameter	Type	Index	Minimum	Maximum	Interpretation
Lens	0.0	Focus	fixed16	–	0.0	1.0	0.0 = near, 1.0 = far
	0.1	Instantaneous autofocus	void	–	–	–	trigger instantaneous autofocus
	0.2	Aperture (f-stop)	fixed16	–	-1.0	16.0	Aperture Value (where fnumber = $\sqrt{2^{AV}}$)
	0.3	Aperture (normalised)	fixed16	–	0.0	1.0	0.0 = smallest, 1.0 = largest
	0.4	Aperture (ordinal)	int16	–	0	n	Steps through available aperture values from minimum (0) to maximum (n)
	0.5	Instantaneous auto aperture	void	–	–	–	trigger instantaneous auto aperture
	0.6	Optical image stabilisation	boolean	–	–	–	true = enabled, false = disabled
	0.7	Set absolute zoom (mm)	int16	–	0	max	Move to specified focal length in mm, from minimum (0) to maximum (max)
	0.8	Set absolute zoom (normalised)	fixed16	–	0.0	1.0	Move to specified focal length: 0.0 = wide, 1.0 = tele
	0.9	Set continuous zoom (speed)	fixed16	–	-1.0	+1.0	Start/stop zooming at specified rate: -1.0 = zoom wider fast, 0.0 = stop, +1 = zoom tele fast

Group	ID	Parameter	Type	Index	Minimum	Maximum	Interpretation
Video	1.0	Video mode	int8	[0] = frame rate	-	-	fps as integer (eg 24, 25, 30, 50, 60)
				[1] = M-rate	-	-	0 = regular, 1 = M-rate
				[2] = dimensions	-	-	0 = NTSC, 1 = PAL, 2 = 720, 3 = 1080, 4 = 2kDCI, 5 = 2k16:9, 6 = UHD, 7 = 3k Anamorphic, 8 = 4k DCI, 9 = 4k 16:9, 10 = 4.6k 2.4:1, 11 = 4.6k
				[3] = interlaced	-	-	0 = progressive, 1 = interlaced
				[4] = Color space	-	-	0 = YUV
	1.1	Gain (up to Camera 4.9)	int8		1	128	1x, 2x, 4x, 8x, 16x, 32x, 64x, 128x gain
	1.2	Manual White Balance	int16	[0] = color temp	2500	10000	Color temperature in K
			int16	[1] = tint	-50	50	tint
	1.3	Set auto WB	void	-	-	-	Calculate and set auto white balance
	1.4	Restore auto WB	void	-	-	-	Use latest auto white balance setting
	1.5	Exposure (us)	int32		1	42000	time in us
	1.6	Exposure (ordinal)	int16	-	0	n	Steps through available exposure values from minimum (0) to maximum (n)
	1.7	Dynamic Range Mode	int8 enum	-	0	2	0 = film, 1 = video, 2 = extended video
	1.8	Video sharpening level	int8 enum	-	0	3	0 = off, 1 = low, 2 = medium, 3 = high
	1.9	Recording format	int16	[0] = file frame rate	-	-	fps as integer (eg 24, 25, 30, 50, 60, 120)
				[1] = sensor frame rate	-	-	fps as integer, valid when sensor-off-speed set (eg 24, 25, 30, 33, 48, 50, 60, 120), no change will be performed if this value is set to 0
				[2] = frame width	-	-	in pixels
				[3] = frame height	-	-	in pixels
				[4] = flags	-	-	[0] = file-M-rate
					-	-	[1] = sensor-M-rate, valid when sensor-off-speed-set
-					-	[2] = sensor-off-speed	
-					-	[3] = interlaced	
-	-	[4] = windowed mode					
1.10	Set auto exposure mode	int8	-	0	4	0 = Manual Trigger, 1 = Iris, 2 = Shutter, 3 = Iris + Shutter, 4 = Shutter + Iris	
1.11	Shutter angle	int32	-	100	36000	Shutter angle in degrees, multiplied by 100	
1.12	Shutter speed	int32	-	Current sensor frame rate	5000	Shutter speed value as a fraction of 1, so 50 for 1/50th of a second	
1.13	Gain	int8	-	-128	127	Gain in decibel (dB)	
1.14	ISO	int32	-	0	2147483647	ISO value	
1.15	Display LUT	int8	[0] = selected LUT	-	-	0 = None, 1 = Custom, 2 = film to video, 3 = film to extended video	
			[1] = enabled or not	-	-	0 = Not enabled, 1 = Enabled	

Group	ID	Parameter	Type	Index	Minimum	Maximum	Interpretation
Audio	2.0	Mic level	fixed16	–	0.0	1.0	0.0 = minimum, 1.0 = maximum
	2.1	Headphone level	fixed16	–	0.1	1.0	0.0 = minimum, 1.0 = maximum
	2.2	Headphone program mix	fixed16	–	0.1	1.0	0.0 = minimum, 1.0 = maximum
	2.3	Speaker level	fixed16	–	0.1	1.0	0.0 = minimum, 1.0 = maximum
	2.4	Input type	int8	–	0	3	0 = internal mic, 1 = line level input, 2 = low mic level input, 3 = high mic level input
	2.5	Input levels	fixed16	[0] ch0	0.0	1.0	0.0 = minimum, 1.0 = maximum
				[1] ch1	0.0	1.0	0.0 = minimum, 1.0 = maximum
2.6	Phantom power	boolean	–	–	–	true = powered, false = not powered	
Output	3.0	Overlay enables	uint16 bit field	–	–	–	bit flags: [0] = display status, [1] = display frame guides Some cameras don't allow separate control of frame guides and status overlays.
	3.1	Frame guides style (Camera 3.x)	int8	–	0	8	0 = HDTV, 1 = 4:3, 2 = 2.4:1, 3 = 2.39:1, 4 = 2.35:1, 5 = 1.85:1, 6 = thirds
	3.2	Frame guides opacity (Camera 3.x)	fixed16	–	0.1	1.0	0.0 = transparent, 1.0 = opaque
	3.3	Overlays (replaces .1 and .2 above from Cameras 4.0)	int8	[0] = frame guides style	–	–	0 = off, 1 = 2.4:1, 2 = 2.39:1, 3 = 2.35:1, 4 = 1.85:1, 5 = 16:9, 6 = 14:9, 7 = 4:3, 8 = 2:1, 9 = 4:5, 10 = 1:1
				[1] = frame guide opacity	0	100	0 = transparent, 100 = opaque
				[2] = safe area percentage	0	100	percentage of full frame used by safe area guide (0 means off)
				[3] = grid style	–	–	bit flags: [0] = display thirds, [1] = display cross hairs, [2] = display center dot, [3] = display horizon
Display	4.0	Brightness	fixed16	–	0.0	1.0	0.0 = minimum, 1.0 = maximum
	4.1	Exposure and focus tools	int16 bit field	0x1 = zebra, 0x2 = focus assist, 0x4 = false color	–	–	0 = disable, 1 = enable
	4.2	Zebra level	fixed16	–	0.0	1.0	0.0 = minimum, 1.0 = maximum
	4.3	Peaking level	fixed16	–	0.0	1.0	0.0 = minimum, 1.0 = maximum
	4.4	Color bar enable	int8	–	0	30	0 = disable bars, 1-30 = enable bars with timeout (seconds)
	4.5	Focus Assist	int8	[0] = focus assist method	–	–	0 = Peak, 1 = Colored lines
				[1] = focus line color	–	–	0 = Red, 1 = Green, 2 = Blue, 3 = White, 4 = Black
4.6	Program return feed enable	int8	–	0	30	0 = disable, 1-30 = enable with timeout (seconds)	

Group	ID	Parameter	Type	Index	Minimum	Maximum	Interpretation
Tally	5.0	Tally brightness	fixed16	–	0.0	1.0	Sets the tally front and tally rear brightness to the same level. 0.0 = minimum, 1.0 = maximum
	5.1	Front tally brightness	fixed16	–	0.0	1.0	Sets the tally front brightness. 0.0 = minimum, 1.0 = maximum
	5.2	Rear tally brightness	fixed16	–	0.0	1.0	Sets the tally rear brightness. 0.0 = minimum, 1.0 = maximum Tally rear brightness cannot be turned off
Reference	6.0	Source	int8 enum	–	0	2	0 = internal, 1 = program, 2 = external
	6.1	Offset	int32	–	–	–	+/- offset in pixels
Confi- guration	7.0	Real Time Clock	int32	[0] time	–	–	BCD - HHMMSSFF (UCT)
				[1] date	–	–	BCD - YYYYMMDD
	7.1	System language	string	[0-1]	–	–	ISO-639-1 two character language code
	7.2	Timezone	int32	–	–	–	Minutes offset from UTC
	7.3	Location	int64	[0] latitude	–	–	BCD - sODDddddddddddd where s is the sign: 0 = north (+), 1 = south (-); DD degrees, ddddddddddd decimal degrees
[1] longitude				–	–	BCD - sDDDddddddddddd where s is the sign: 0 = west (-), 1 = east (+); DDD degrees, ddddddddddd decimal degrees	
Color Correction	8.0	Lift Adjust	fixed16	[0] red	-2.0	2.0	default 0.0
				[1] green	-2.0	2.0	default 0.0
				[2] blue	-2.0	2.0	default 0.0
				[3] luma	-2.0	2.0	default 0.0
	8.1	Gamma Adjust	fixed16	[0] red	-4.0	4.0	default 0.0
				[1] green	-4.0	4.0	default 0.0
				[2] blue	-4.0	4.0	default 0.0
				[3] luma	-4.0	4.0	default 0.0
	8.2	Gain Adjust	fixed16	[0] red	0.0	16.0	default 1.0
				[1] green	0.0	16.0	default 1.0
				[2] blue	0.0	16.0	default 1.0
				[3] luma	0.0	16.0	default 1.0
	8.3	Offset Adjust	fixed16	[0] red	-8.0	8.0	default 0.0
				[1] green	-8.0	8.0	default 0.0
				[2] blue	-8.0	8.0	default 0.0
[3] luma				-8.0	8.0	default 0.0	
8.4	Contrast Adjust	fixed16	[0] pivot	0.0	1.0	default 0.5	
			[1] adj	0.0	2.0	default 1.0	
8.5	Luma mix	fixed16	–	0.0	1.0	default 1.0	
8.6	Color Adjust	fixed16	[0] hue	-1.0	1.0	default 0.0	
			[1] sat	0.0	2.0	default 1.0	
8.7	Correction Reset Default	void	–	–	–	reset to defaults	

Group	ID	Parameter	Type	Index	Minimum	Maximum	Interpretation
Media	10.0	Codec	int8 enum	[0] = basic codec	-	-	0 = CinemaDNG, 1 = DNxHD, 2 = ProRes, 3 = Blackmagic RAW
				[1] = code variant	-	-	CinemaDNG: 0 = uncompressed, 1 = lossy 3:1, 2 = lossy 4:1
					-	-	ProRes: 0 = HQ, 1 = 422, 2 = LT, 3 = Proxy, 4 = 444, 5 = 444XQ
					-	-	Blackmagic RAW: 0 = Q0, 1 = Q5, 2 = 3:1, 3 = 5:1, 4 = 8:1, 5 = 12:1
	10.1	Transport mode	int8	[0] = mode	-	-	0 = Preview, 1 = Play, 2 = Record
				[1] = speed	-	-	-ve = multiple speeds backwards, 0 = pause, +ve = multiple speeds forwards
				[2] = flags	-	-	1<<0 = loop, 1<<1 = play all, 1<<5 = disk1 active, 1<<6 = disk2 active, 1<<7 = time-lapse recording
				[3] = slot 1 storage medium	-	-	0 = CFast card, 1 = SD, 2 = SSD Recorder
				[4] = slot 2 storage medium	-	-	0 = CFast card, 1 = SD, 2 = SSD Recorder
	10.2	Playback Control	int8 enum	[0] = clip	-	-	0 = Previous, 1 = Next
PTZ Control	11.0	Pan/Tilt Velocity	fixed 16	[0] = pan velocity	-1.0	1.0	-1.0 = full speed left, 1.0 = full speed right
				[1] = tilt velocity	-1.0	1.0	-1.0 = full speed down, 1.0 = full speed up
	11.1	Memory Preset	int8 enum	[0] = preset command	-	-	0 = reset, 1 = store location, 2 = recall location
			int8	[1] = preset slot	0	5	-

Example Protocol Packets

Operation	Packet Length	Byte															
		0	1	2	3	4	5	6	7	8	9	10	11	12	13	14	15
		header			command					data							
		destination	length	command	reserved	category	parameter	type	operation								
trigger instantaneous auto focus on camera 4	8	4	4	0	0	0	1	0	0								
turn on OIS on all cameras	12	255	5	0	0	0	6	0	0	1	0	0	0				
set exposure to 10 ms on camera 4 (10 ms = 10000 us = 0x00002710)	12	4	8	0	0	1	5	3	0	0x10	0x27	0x00	0x00				
add 15% to zebra level (15 % = 0.15 f = 0x0133 fp)	12	4	6	0	0	4	2	128	1	0x33	0x01	0	0				
select 1080p 23.98 mode on all cameras	16	255	9	0	0	1	0	1	0	24	1	3	0	0	0	0	
subtract 0.3 from gamma adjust for green & blue (-0.3 ~ = 0xfd9a fp)	16	4	12	0	0	8	1	128	1	0	0	0x9a	0xfd	0x9a	0xfd	0	0
all operations combined	76	4	4	0	0	0	1	0	0	255	5	0	0	0	6	0	0
		1	0	0	0	4	8	0	0	1	5	3	0	0x10	0x27	0x00	0x00
		4	6	0	0	4	2	128	1	0x33	0x01	0	0	255	9	0	0
		1	0	1	0	24	1	3	0	0	0	0	0	4	12	0	0
		8	1	128	1	0	0	0x9a	0xfd	0x9a	0xfd	0	0				

Help

The fastest way to obtain help is to go to the Blackmagic Design online support pages and check the latest support material available for your camera.

Blackmagic Design Online Support Pages

The latest manual, software and support notes can be found at the Blackmagic Design support center at www.blackmagicdesign.com/support.

Contacting Blackmagic Design Support

If you can't find the help you need in our support material, please use the 'Send us an email' button on the support page to email a support request. Alternatively, click on the 'Find your local support team' button on the support page and call your nearest Blackmagic Design support office.

Checking the Software Version Currently Installed

To check which version of Blackmagic Camera Setup utility software is installed on your computer, open the About Blackmagic Camera Setup utility window.

- On macOS, open Blackmagic Camera Setup utility from the Applications folder. Select About Blackmagic Camera Setup utility from the application menu to reveal the version number.
- On Windows, open Blackmagic Camera Setup utility from your Start menu or Start Screen. Click on the Help menu and select About Blackmagic Camera Setup utility to reveal the version number.

How to Get the Latest Software Updates

After checking the version of Blackmagic Camera Utility software installed on your computer, please visit the Blackmagic Design support center at www.blackmagicdesign.com/support to check for the latest updates. While it is usually a good idea to run the latest updates, it is wise to avoid updating any software if you are in the middle of an important project.

Regulatory Notices

Disposal of Waste of Electrical and Electronic Equipment Within the European Union.



The symbol on the product indicates that this equipment must not be disposed of with other waste materials. In order to dispose of your waste equipment, it must be handed over to a designated collection point for recycling. The separate collection and recycling of your waste equipment at the time of disposal will help conserve natural resources and ensure that it is recycled in a manner that protects human health and the environment. For more information about where you can drop off your waste equipment for recycling, please contact your local city recycling office or the dealer from whom you purchased the product.

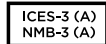


This equipment has been tested and found to comply with the limits for a Class A digital device, pursuant to Part 15 of the FCC rules. These limits are designed to provide reasonable protection against harmful interference when the equipment is operated in a commercial environment. This equipment generates, uses, and can radiate radio frequency energy and, if not installed and used in accordance with the instructions, may cause harmful interference to radio communications. Operation of this product in a residential area is likely to cause harmful interference, in which case the user will be required to correct the interference at personal expense.

Operation is subject to the following two conditions:

- 1 This device may not cause harmful interference.
- 2 This device must accept any interference received, including interference that may cause undesired operation.

ISED Canada Statement



This device complies with Canadian standards for Class A digital apparatus.

Any modifications or use of this product outside its intended use could void compliance to these standards.

Connection to HDMI interfaces must be made with high quality shielded HDMI cables.

This equipment has been tested for compliance with the intended use in a commercial environment. If the equipment is used in a domestic environment, it may cause radio interference.

Bluetooth®

The product is a Bluetooth wireless technology enabled product.

Contains transmitter module FCC ID: QOQBGM113

This equipment complies with FCC radiation exposure limits set forth for an uncontrolled environment.

Contains transmitter module IC: 5123A-BGM113

This device complies with Industry Canada's license-exempt RSS standards and exception from routine SAR evaluation limits given in RSS-102 Issue 5.

Certified for Japan, certificate number: 209-J00204. This equipment contains specified radio equipment that has been certified to the technical regulation conformity certification under the radio law.

This module has certification in South Korea, KC certification number:
MSIP-CRM-BGT-BGM113

Hereby, Blackmagic Design declares that the product is using wideband transmission systems in 2.4 GHz ISM band is in compliance with directive 2014/53/EU.

The full text of the EU declaration of conformity is available from
compliance@blackmagicdesign.com

Safety Information

Blackmagic Pocket Cinema Camera is suitable for use in tropical locations with an ambient temperature of up to 40°C.

No operator serviceable parts inside product. Refer servicing to your local Blackmagic Design service center.

During sunny conditions, consider shading of the camera to prevent exposure of the camera or lithium battery to extended periods of sunlight. Keep lithium batteries away from all sources of heat.



When using the supplied power adapter, use only at altitudes not more than 2000m above sea level.

State of California statement

This product can expose you to chemicals such as trace amounts of polybrominated biphenyls within plastic parts, which is known to the state of California to cause cancer and birth defects or other reproductive harm.

For more information go to www.P65Warnings.ca.gov.

Warranty

Limited Warranty

Blackmagic Design warrants that this product will be free from defects in materials and workmanship for a period of 12 months from the date of purchase. If a product proves to be defective during this warranty period, Blackmagic Design, at its option, either will repair the defective product without charge for parts and labor, or will provide a replacement in exchange for the defective product.

In order to obtain service under this warranty, you the Customer, must notify Blackmagic Design of the defect before the expiration of the warranty period and make suitable arrangements for the performance of service. The Customer shall be responsible for packaging and shipping the defective product to a designated service center nominated by Blackmagic Design, with shipping charges pre paid. Customer shall be responsible for paying all shipping charges, insurance, duties, taxes, and any other charges for products returned to us for any reason.

This warranty shall not apply to any defect, failure or damage caused by improper use or improper or inadequate maintenance and care. Blackmagic Design shall not be obliged under this warranty: a) to repair damage resulting from attempts by personnel other than Blackmagic Design representatives to install, repair or service the product, b) to repair damage resulting from improper use or connection to incompatible equipment, c) to repair any damage or malfunction caused by the use of non Blackmagic Design parts or supplies, or d) to service a product that has been modified or integrated with other products when the effect of such a modification or integration increases the time or difficulty of servicing the product.

THIS WARRANTY IS GIVEN BY BLACKMAGIC DESIGN IN LIEU OF ANY OTHER WARRANTIES, EXPRESS OR IMPLIED. BLACKMAGIC DESIGN AND ITS VENDORS DISCLAIM ANY IMPLIED WARRANTIES OF MERCHANTABILITY OR FITNESS FOR A PARTICULAR PURPOSE. BLACKMAGIC DESIGN'S RESPONSIBILITY TO REPAIR OR REPLACE DEFECTIVE PRODUCTS DURING THE WARRANTY PERIOD IS THE WHOLE AND EXCLUSIVE REMEDY PROVIDED TO THE CUSTOMER. BLACKMAGIC DESIGN WILL NOT BE LIABLE FOR ANY INDIRECT, SPECIAL, INCIDENTAL OR CONSEQUENTIAL DAMAGES IRRESPECTIVE OF WHETHER BLACKMAGIC DESIGN OR THE VENDOR HAS ADVANCE NOTICE OF THE POSSIBILITY OF SUCH DAMAGES. BLACKMAGIC DESIGN IS NOT LIABLE FOR ANY ILLEGAL USE OF EQUIPMENT BY CUSTOMER. BLACKMAGIC IS NOT LIABLE FOR ANY DAMAGES RESULTING FROM USE OF THIS PRODUCT. USER OPERATES THIS PRODUCT AT OWN RISK.

© Copyright 2019 Blackmagic Design. All rights reserved. 'Blackmagic Design', 'URSA', 'DeckLink', 'HDLink', 'Workgroup Videohub', 'Multibridge Pro', 'Multibridge Extreme', 'Intensity' and 'Leading the creative video revolution' are registered trademarks in the US and other countries. All other company and product names may be trademarks of the respective companies with which they are associated.

The Bluetooth word, mark and logos are registered trademarks owned by Bluetooth SIG, Inc. and any use of such marks by Blackmagic Design is under license. Other trademarks and trade names are those of the respective owners.



インストール/オペレーション マニュアル

Blackmagic Pocket Cinema Camera

Blackmagic Pocket Cinema Camera 6K、
Blackmagic Pocket Cinema Camera 4K

2019年11月

日本語



ようこそ

このたびは、Blackmagic Pocket Cinema Cameraをお買い求めいただき誠にありがとうございました。

オリジナルのBlackmagic Pocket Cinema Cameraは、2013年にリリースされました。ハイダイナミックレンジと革新的な画質に対応し、どこへでも持ち運び可能な小型カメラの開発は、非常にエキサイティングでした。多くの方からの好意的なフィードバックや4Kバージョンを待ち望む声を受け、2018年にBlackmagic Pocket Cinema Camera 4Kを発表しました。そしてこの度、Blackmagic Pocket Cinema Camera 6Kを発表できることを非常に嬉しく思います。

Blackmagic Pocket Cinema Camera 6Kは、スーパー35mmセンサーとEFレンズマウントを搭載しています。Blackmagic Pocket Cinema Camera 4Kは、オリジナルのPocket Cinema Cameraと同じMFT（マイクロフォーサーズ）レンズマウントを搭載しているため、お手持ちのMFTレンズを使用できます。Blackmagic Pocket Cinema Camera 4Kは、4Kで60fpsまで、HDで120fpsまでのフレームレートで、CFastまたはUHS-II SDカードに収録できます。Blackmagic Pocket Cinema Camera 6Kはさらに性能がアップし、2.8Kで120fpsまで、6Kで60fpsまでのフレームレートに対応します。USB-Cポートを搭載しているので、外付けドライブへの収録も可能です。外付けドライブをカメラから外してコンピューターに接続すれば、瞬時にファイルをワークフローに使用できます。

13ストップのダイナミックレンジ、デュアルネイティブISOに対応しており、多様な照明環境で、クリーンでシネマライクな美しいイメージを収録できます。5インチの内蔵LCDタッチスクリーンでは、明るい日差しの下でもフォーカスやディテールを確認できます。4つの内蔵マイクにより、カメラで直接高品質オーディオを得られます。

Blackmagic Pocket Cinema Cameraの筐体は、カーボンファイバー強化複合材製で、非常に耐久性に優れ、軽量なため、あらゆる場所に携帯できます。標準のLP-E6バッテリー、ACアダプター、あるいは12Vの外部DC電源からカメラに給電可能です。また、Blackmagic RAWコーデックにも対応しています。同コーデックは、単一のファイルでRAWを扱える柔軟性があり、さらにファイルサイズが小さいためパフォーマンスが大幅に向上します。

Blackmagic Pocket Cinema Cameraでユーザーの皆様が撮影した作品を拝見することをとても楽しみにしています。また、追加を希望する新機能のリクエストもお待ちしています！

A stylized, handwritten signature in black ink that reads "Grant Petty". The signature is fluid and cursive, with the first letters of "Grant" and "Petty" being significantly larger and more prominent.

Blackmagic Design CEO

グラント・ペティ

目次

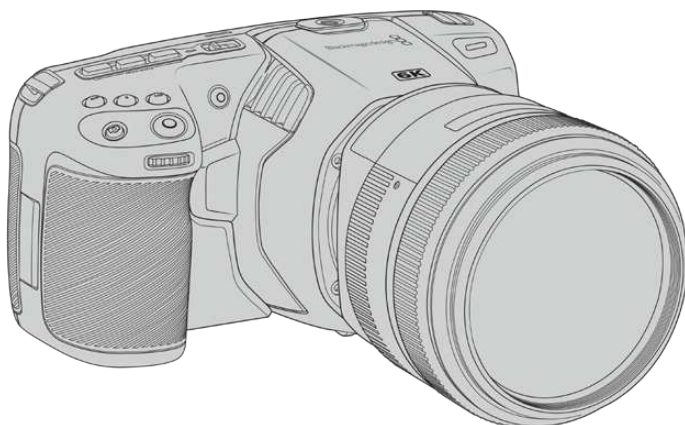
Blackmagic Pocket Cinema Camera

どのカメラをお使いですか？	157	メタデータ入力	239
はじめに	158	スレート	239
レンズの取り付け	158	カメラのビデオ出力	244
カメラの電源を入れる	159	DaVinci Resolveの使用	245
Blackmagic Pocket Camera Battery Gripを使用する	159	プロジェクトマネージャー	245
同梱の電源ケーブルでカメラに電源供給	161	カットページを使用した編集	246
ストレージメディア	162	クリップをタイムラインに追加	249
CFastカード	162	タイムラインでクリップを編集する	250
SDカード	163	タイトルの追加	250
USB-Cフラッシュディスク	165	Blackmagic RAWファイルの使用	251
撮影用にメディアを準備する	167	カラーページでクリップのカラーコ レクションを行う	254
Blackmagic Pocket Cinema Cameraでメディアを準備する	167	Power Windowを追加	257
Macでメディアを準備	169	プラグインの使用	259
Windowsでメディアを準備	170	オーディオのミックス	260
収録	171	FusionページでVFXおよび合成を追加	264
クリップの収録	171	編集のマスタリング	273
Blackmagic RAW	172	クイックエクスポート	273
Blackmagic RAWで収録	173	デリバリーページ	274
最大センサーフレームレート	175	サードパーティ製ソフトウェアの使用	275
収録時間	177	CFast 2.0/SDカードからのファイ ルでの作業	275
再生	182	USB-Cフラッシュディスクでの作業	275
カメラの機能	183	Final Cut Pro Xを使う	276
カメラ正面	183	Avid Media Composer 2018を使う	276
右側面	184	Adobe Premiere Pro CCを使う	277
左側面	184	Blackmagic Camera Setup Utility	278
トップパネル	186	推奨収録メディア	279
カメラ底面	187	CFast 2.0カード	279
カメラ背面	188	SDカード	285
タッチスクリーン・コントロール	189	USB-C SSD	289
設定	210	ヘルプライン	292
ダッシュボード	210	規制に関する警告	293
収録設定 (RECORD)	210	安全情報	294
ファイル名定義	215	保証	295
モニター設定 (MONITOR)	216		
オーディオ設定 (AUDIO)	222		
セットアップ設定 (SETUP)	225		
プリセット (PRESETS)	234		
3D LUT	236		

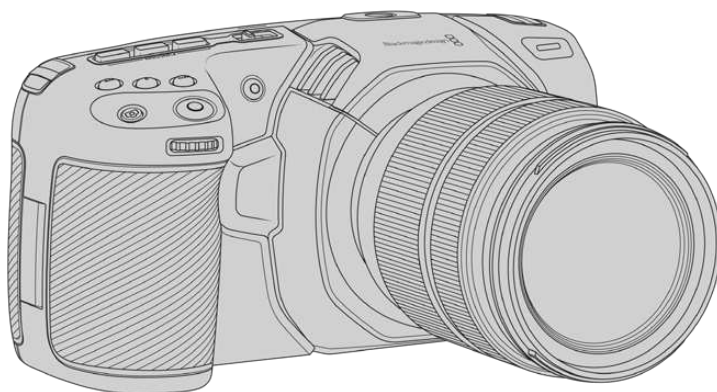
どのカメラをお使いですか？

Blackmagic Pocket Cinema Camera 6KとBlackmagic Pocket Cinema Camera 4Kは、外見は大変よく似ています。どちらも驚異的なワイドダイナミックレンジのイメージが得られ、筐体も同じです。コントロールボタンとソフトウェアメニューの配置は全く同じで、カメラの操作方法も基本的には同じです。

Blackmagic Pocket Cinema Camera 6Kは、スーパー35mmセンサーとEFレンズマウントを搭載しており、レンズマウントの上に「6K」のマークが付いています。Blackmagic Pocket Cinema Camera 4Kは、MFTサイズのセンサーとMFTレンズマウントを搭載しています。



Blackmagic Pocket Cinema Camera 6K



Blackmagic Pocket Cinema Camera 4K

はじめに

Blackmagic Pocket Cinema Cameraは、小型で可搬性に優れたデジタルシネマカメラで、高品質イメージをCFast 2.0およびUHS-I/UHS-II SDカード、あるいはUSB-Cポート経由でSSDに収録できます。Pocket Cinema Cameraは、Blackmagic RAWやProResなど、ポストプロダクション用に設計されたプロ仕様コーデックでクリップを収録します。

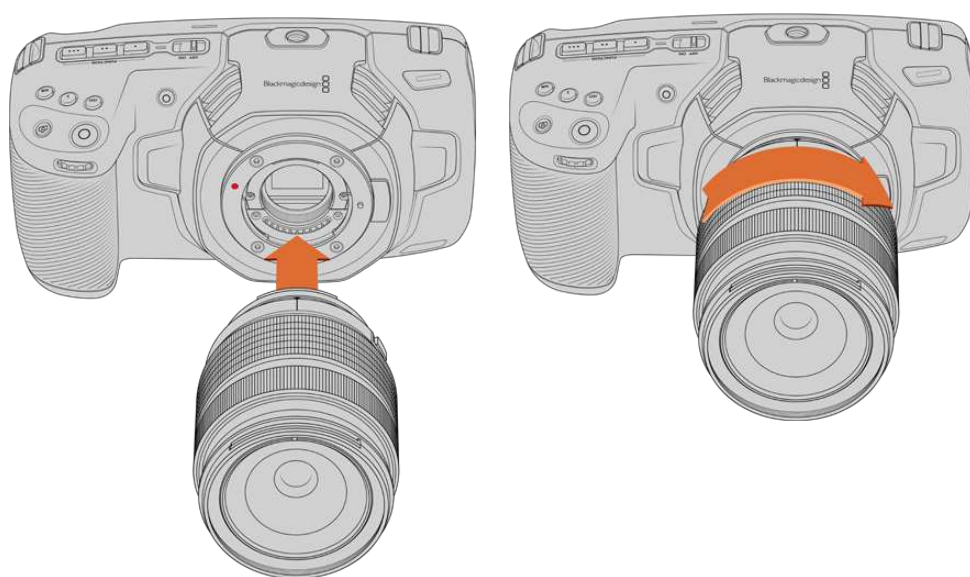
Blackmagic Pocket Cinema Cameraは、レンズをマウントし、電源を入れるだけで簡単に使用できます。

レンズの取り付け

Blackmagic Pocket Cinema Camera 6KはEFレンズ、Blackmagic Pocket Cinema Camera 4Kは、マイクロフォーサーズ (MFT) レンズを使用します。どちらも非常に人気がある低価格レンズで、多くの選択オプションがあります。Blackmagic Pocket Cinema Camera 6KとPocket Cinema Camera 4Kへのレンズの取り付け方は同じです。どちらも最初に保護用のダストキャップを取り外します。保護用のダストキャップを外すには、ロックボタンを押しながら、反時計回りに回します。

EF/MFTマウントレンズを取り付ける：

- 1 レンズ上のドット（点）とカメラのマウント部分のドットを合わせます。多くのレンズには、青、赤、白のドットか、その他の目印がついています。
- 2 カメラマウントにレンズマウントを載せ、レンズが適切な位置に収まるまで時計回りに回します。
- 3 レンズを外す時は、ロックボタンを押しながらレンズを反時計回りに回します。MFTレンズはドットが10時の位置、EFレンズはドットが12時の位置になるまで回し、レンズをマウントからゆっくり外します。



MFTレンズをBlackmagic Pocket Cinema Camera 4Kに取り付ける

メモ レンズを装着していない時は、センサーを覆うガラスのフィルターがゴミや埃にさらされています。常にダストキャップを付けて保護するようにしてください。

カメラの電源を入れる

レンズを装着したら、カメラの電源を入れます。Blackmagic Pocket Cinema Cameraは、カメラに挿入したLP-E6バッテリー、またはBlackmagic Pocket Camera Battery Gripの2個のNP-F570バッテリーから給電でき、また電源入力に同梱の電源アダプターを接続して電源を供給できます。

カメラにバッテリーを挿入して電源を入れる

Blackmagic Pocket Cinema Cameraは、取り外し可能な標準のLP-E6タイプのバッテリーを使用します。カメラには1個のバッテリーが同梱されていますが、追加バッテリーが必要な場合は、Blackmagic Design販売店またはビデオ/写真機材の専門店で購入できます。

- 1 カメラの底面にあるカバーリリースを押してバッテリーカバーを開きます。
- 2 LP-E6バッテリーの接続部をバッテリー挿入口に向け、ロックタブの下の定位置にしっかりと収まるまで差し込みます。

作業のこつ バッテリーを取り出すには、ロックタブをカメラの正面側に向けて押します。

- 3 バッテリーカバーを閉じ、カチッと音がするまでゆっくり押します。
- 4 カメラ上部の電源スイッチを「ON」の位置にするとカメラがオンになります。スイッチを「OFF」の位置にするとカメラがオフになります。

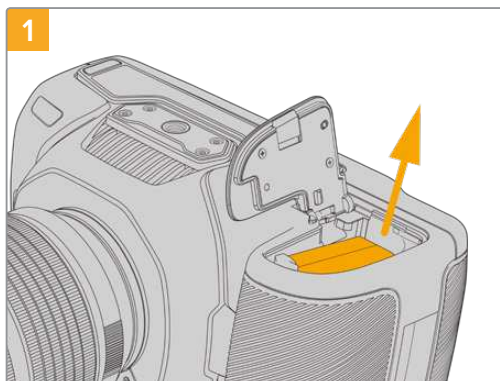
Blackmagic Pocket Camera Battery Gripを使用する

Blackmagic Pocket Camera Battery Gripをお持ちの場合は、この時点でカメラに取り付けることをお勧めします。Blackmagic Pocket Camera Battery Gripは、Blackmagic Pocket Cinema Camera 6KとPocket Cinema Camera 4Kにフィットするように設計されています。

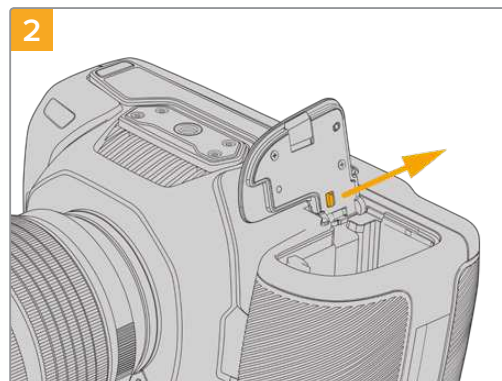
Battery Gripを取り付けることで、側面にハンドルが追加され、2個のNP-F570 Lシリーズのバッテリーを使用できるようになるため、2時間以上にわたって継続的な撮影が可能です。12V DC入力は、Battery Gripのバッテリーを充電したり、充電しながらカメラに継続的に電源を供給できます。カメラの電源が切れている場合は、USB-CポートでBattery Gripのバッテリーを充電できます。

Blackmagic Pocket Camera Battery Gripを取り付ける：

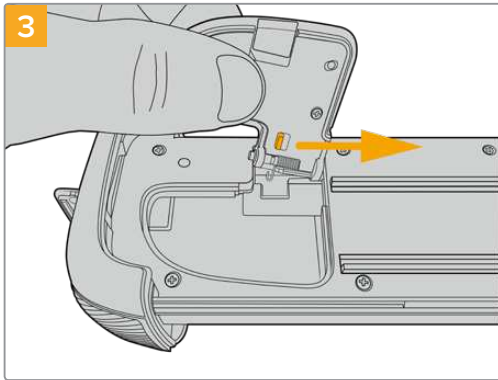
Blackmagic Pocket Camera Battery Gripを取り付け始める前に、Pocket Cinema Cameraの電源を切り、外部電源の接続を外します。



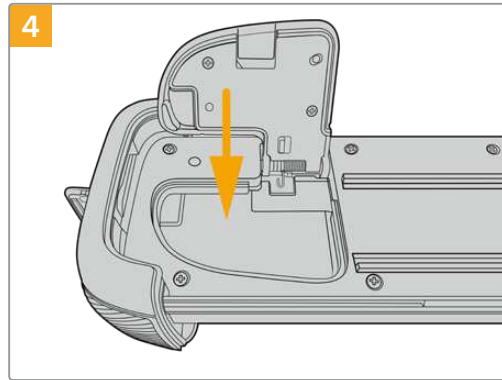
1 バッテリー収納部を開け、LP-E6バッテリーを取り出します。



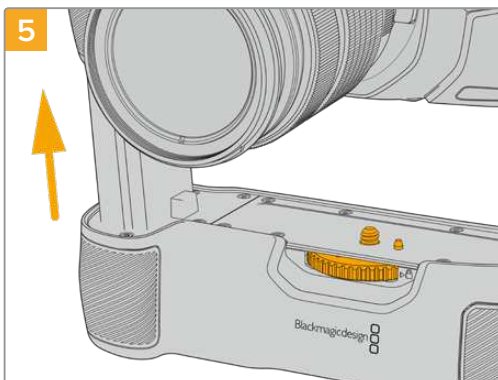
2 カバーのヒンジ近くにあるタブをスライドし、カメラからカバーを取り外します。



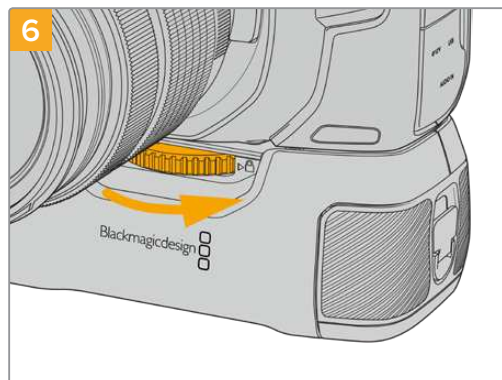
カバーの紛失を避けるため、Battery Gripのトレイ底面のくぼみにカバーを取り付けます。



カバーを閉じると、トレイの底面から突出することなく、きちんと収まります。

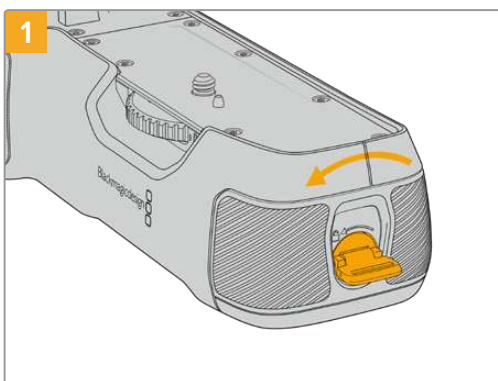


Battery Gripのバッテリーの形をした部分をカメラのバッテリー収納部に挿入します。Battery Grip上部の1/4インチネジを、カメラ底面の1/4-20マウントポイントの位置に合わせます。1/4インチネジの横にある小さなピンが適切な位置を維持するのに役立ちます。

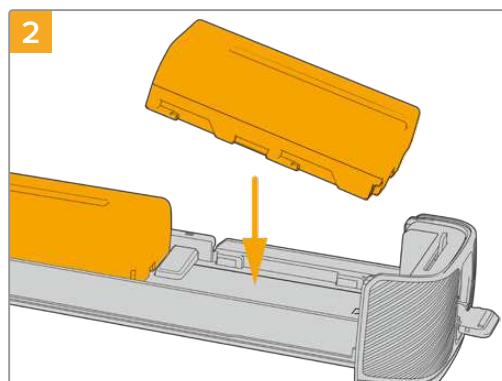


1/4インチネジ前面のノブを右に回してネジをしっかりと留め、カメラにBattery Gripを固定します。

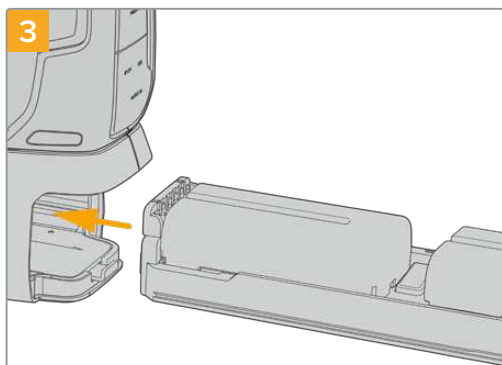
Blackmagic Pocket Camera Battery Gripにバッテリーを挿入する：



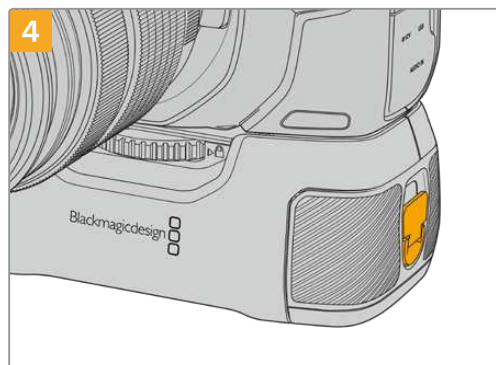
Battery Gripの側面にあるロックタブを反時計回りに回して、バッテリートレイのロックを解除します。バッテリートレイをスライドして取り外します。この作業は、Blackmagic Pocket Battery Gripをカメラに取り付ける前後問わず実行できます。



バッテリートレイに2個のNP-F570バッテリーを入れます。その際には、バッテリーの向きに注意してください。次に、バッテリーを外方向にスライドさせます。中央のタブが持ち上がり、バッテリーが正しい位置に固定されます。バッテリーを取り外すには、このタブを押し、バッテリーを内方向にスライドさせます。



バッテリートレイをBattery Gripにスライドして挿入し、ロックタブを時計回りに回します。DC電源入力に外部電源ソースを接続して、カメラに給電している場合、バッテリーを充電しながらカメラで撮影を続けられます。



Battery Gripの側面にあるロックタブを時計回りに回して、バッテリートレイをロックします。

作業のこつ Blackmagic Pocket Camera Battery Gripを取り付け、2個のバッテリーを挿入している場合、LCDタッチスクリーンの右上のバッテリー残量インジケータは、2つのバッテリーアイコンを表示するため、それぞれの充電レベルを個別に確認できます。詳細は「電源」セクションを参照してください。

同梱の電源ケーブルでカメラに電源供給

同梱の100~240Vプラグパックは、カメラに給電しながら、LP-E6バッテリーまたは（Blackmagic Pocket Camera Battery Gripを取り付けている場合）2個のNP-F570バッテリーの充電を行えます。DC電源コネクタはカメラにしっかり固定されるので、誤って外れることはありません。

外部電源に接続：

- 1 AC-12V DCアダプタープラグを主電源ソケットに接続します。
- 2 カメラの左側面のゴム製カバーを開き、ロック式のDC電源コネクタを回して、12V DC電源入力の上部のくぼみに合わせます。カチッと音がするまでコネクタをゆっくり押し込みます。
- 3 コネクタを外すには、コネクタからシースを引き離し、コネクタを入力から抜きます。

外部電源とバッテリー電源に接続している場合、外部電源のみが使用されます。充電されたバッテリーが接続されている時に外部電源を外した場合、カメラは動作を中断することなく、バッテリー電源に切り替えます。

カメラのLP-E6バッテリーは、カメラの電源が切れている場合、USB経由で充電できます。カメラを使用していない時にポータブルのパワーバンクを使って充電できるため、非常に便利です。Blackmagic Pocket Cinema Cameraは、標準の10W USBウォールチャージャーで充電でき、USB-Power Delivery (USB PD) 対応の充電器も使用できます。USB PD対応の充電器は、一般的にUSB-Cコネクタを搭載し、20Wまで出力できるため、より短時間での充電が可能です。12V DC電源入力でのLP-E6バッテリーを充電する場合、カメラはオンでもオフでも充電可能です。

作業のこつ 使用直後で熱くなっているバッテリーを充電する場合、バッテリーが45度以下になるまで、充電速度は遅くなります。充電前に15分ほど置いてバッテリーを冷ますことを推奨します。

あとはストレージメディアを挿入するだけで、撮影の準備は完了です！

ストレージメディア

Blackmagic Pocket Cinema Cameraは、ビデオの収録に標準のSDカード、高速のUHS-IIカード、CFast 2.0カードを使用します。

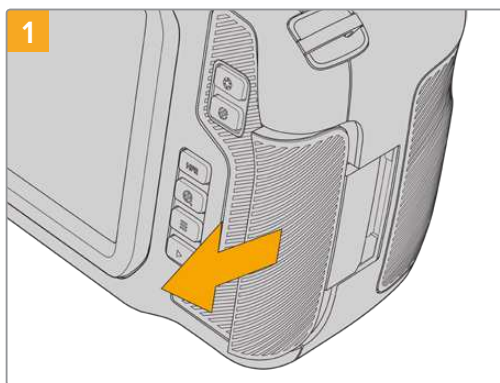
また、USB-C拡張ポートに大容量のUSB-Cフラッシュディスクを接続して、収録時間を延長することもできます。

CFastカード

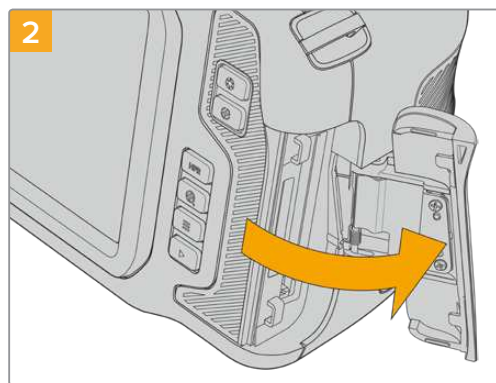
CFast 2.0カードは非常に高速のデータ転送が可能のため、高フレームレートの6K、4K、HDビデオの収録に最適です。各フォーマットで収録可能な最大フレームレートの詳細は、「収録」セクションの「収録時間一覧」を参照してください。

メモ 一般的にCFast 2.0カードは高速カードですが、書き込み速度が読み込み速度と比べて遅いものもあり、最大データ転送速度はモデルによって異なります。希望するフレームレートで信頼性の高い収録を行うには、Blackmagic Designが推奨するカードを使用してください。

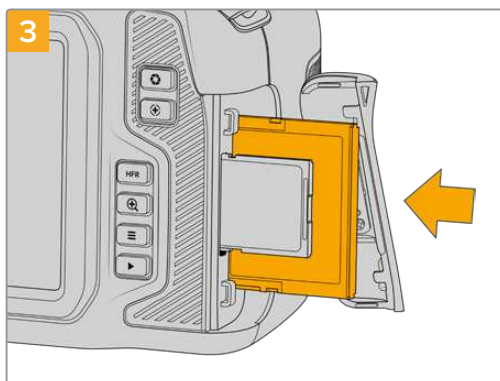
CFastカードを挿入する：



メディアスロットにアクセスするには、カメラ右側のドアを背面に向かってスライドさせます。



ドアにはスプリングが付いているので、固定が解除されると開きます。ここからCFastおよびSDメモリーカードのスロットにアクセスできます。

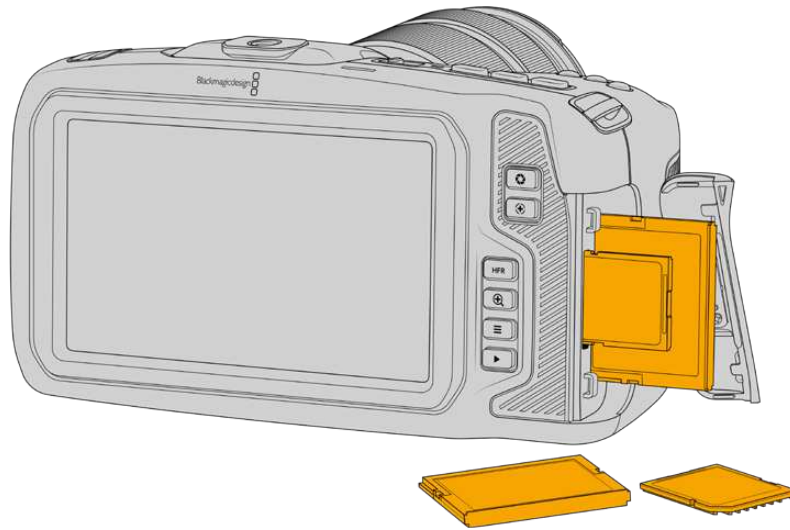


CFastカードが固定されるまで、カードをCFastスロットに差し込みます。カードは、過度に力を入れる必要なく簡単に挿入できるはずですが、CFastカードを取り出すには、CFastカードをゆっくり押し離すとイジェクトされます。



LCDタッチスクリーン底部のストレージ情報に、検出されたCFastカードの名前と録画可能時間が表示されます。

SDカードの挿入方法は、CFastカードの挿入方法と似ています。詳細は「SDカードを挿入する」を参照してください。



CFast 2.0カードの選択

CFastカードは読み込み/書き込み速度が異なるため、高データレートビデオを扱う際は使用するCFast 2.0カードを慎重に選ぶことが非常に重要です。

Pocket Cinema Cameraでの撮影を対象として、Blackmagic Designによりテストされた推奨CFast 2.0カードのリストは、「推奨収録メディア」セクションを参照してください。

Blackmagic Pocket Cinema Cameraの対応CFastカードに関する最新情報は、Blackmagic Designサポートセンターを参照してください。www.blackmagicdesign.com/jp/support

SDカード

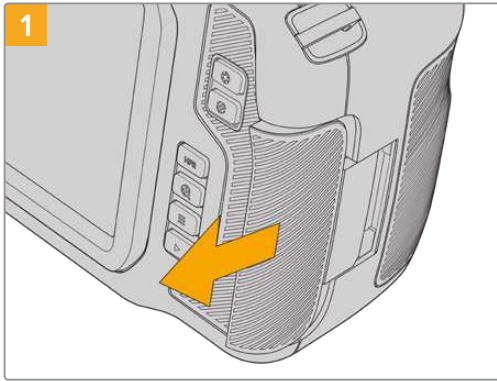
CFast 2.0に加え、高速UHS-I/UHS-IIタイプのSDカードにも収録可能です。HDの圧縮ビデオフォーマットで収録する場合、より低価格のストレージメディアであるUHS-I SDカードを使用できます。UHS-Iより高速のUHS-IIカードは、Blackmagic RAWおよびUltra HDコンテンツのProRes収録が可能です。

SDカードを使用すれば、HDで圧縮ビデオフォーマットを撮影する場合、より低価格のストレージメディアを使用できます。

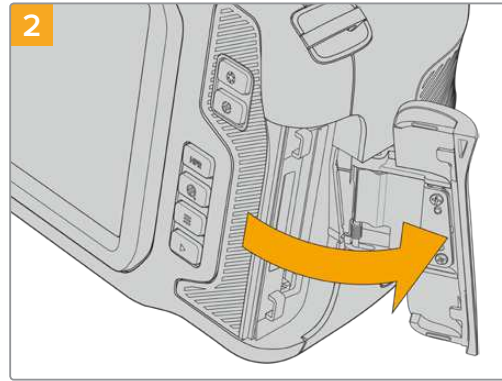
SDXCおよびSDHCは、民生用のスチル/ビデオカメラ用の非常に一般的なメディアストレージフォーマットです。これまでにDSLRで撮影したり、あるいはBlackmagic Micro Cinema Camera、Pocket Cinema Camera、Blackmagic Video Assistを使用したことがあれば、すでに互換性のあるSDカードを持っているでしょう。

高解像度のファイルを必要としないプロジェクト、あるいは長時間収録が必要な場合はSDカードを使用すると経費を抑えられます。低容量で低速のSDカードは、LUTおよびプリセットの保存やロードにも使用できます。

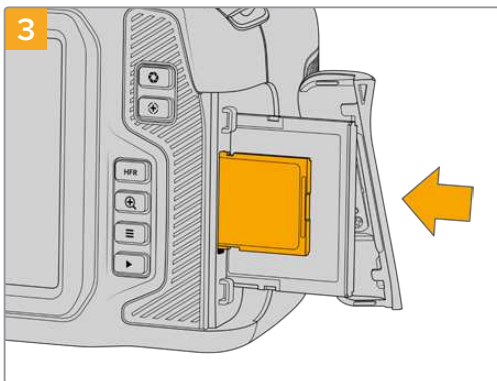
SDカードを挿入する



メディアスロットにアクセスするには、カメラ右側のドアを背面に向かってスライドさせます。



ドアにはスプリングが付いているので、固定が解除されると開きます。ここからメディアスロットにアクセスできます。



SDカードのラベル面をタッチスクリーンに向けて、SDカードスロットの所定の位置まで挿入します。カードは、過度に力を入れる必要なく簡単に挿入できるはずです。

SDカードを取り出すには、SDカードをゆっくり押し離すとイジェクトされます。



LCDタッチスクリーン底部のストレージ情報に、検出されたSDカードの名前と録画可能時間が表示されます。

SDカードの選択

6K、4K DCI、Ultra HDを収録する場合は、最高速のUHS-IIタイプのSDカードを使用することをお勧めします。6K、4K DCI、Ultra HD、HD収録には高速UHS-IIカードを、HD収録にはUHS-Iカードを使用することが重要です。これらのカードは高速データ転送速度に対応しており、大容量ストレージをサポートしています。一般的には、高速であればあるほど良い品質が得られます。

SDカードは、使用前にHFS+あるいはexFATにフォーマットする必要があります。カメラの「ストレージ (Storage)」設定で簡単にメディアをフォーマットできます。ストレージ設定に関する詳細は、「設定」セクションを参照してください。

また、MacあるいはWindowsコンピューターを使ってカードをフォーマットすることも可能です。メディアをmacOSで使用する場合、MacのディスクフォーマットであるHFS+を使用できます。HFS+は「OS X Extended」としても知られています。Windowsで使用する場合、WindowsのディスクフォーマットであるexFATフォーマットを使用してください。MacコンピューターでもexFATフォーマットを読み取れます。

Pocket Cinema Cameraでの撮影を対象として、Blackmagic Designによりテストされた推奨SDカードのリストは、「推奨収録メディア」セクションを参照してください。

Blackmagic Pocket Cinema Cameraの対応SDカードに関する最新情報は、Blackmagic Designサポートセンターを参照してください。www.blackmagicdesign.com/jp/support

メモ 高解像度、高フレームレートの収録では、CFast 2.0メディアまたは外付けUSB-Cフラッシュディスクの使用をお勧めします。これらは一般的により高速で大容量です。

SDカードのロック/解除

SDカードは書き込み保護、あるいは「ロック」してデータの上書きを防止できます。SDカードを挿入する際は、カードが書き込み保護されていないことを確認してください。書き込み保護を無効にするには、カードの左側にある小さなプラスチックのスイッチをコネクター側に動かします。収録後は、いつでもカードを再ロックできます。



ロックタブを上下に動かしてSDカードをロック/解除

ロックされたSDカードが挿入された場合、Blackmagic Pocket Cinema CameraのLCDタッチスクリーンに、残り収録時間の代わりに「ロック (Locked)」と表示され、カード名の横のストレージメニューにロックアイコンが表示されます。カードがロックされていると、ビデオの収録、スチルのキャプチャー、LUTおよびプリセットの書き出しができません。

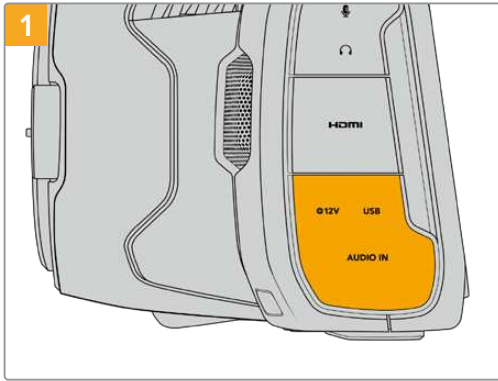


USB-Cフラッシュディスク

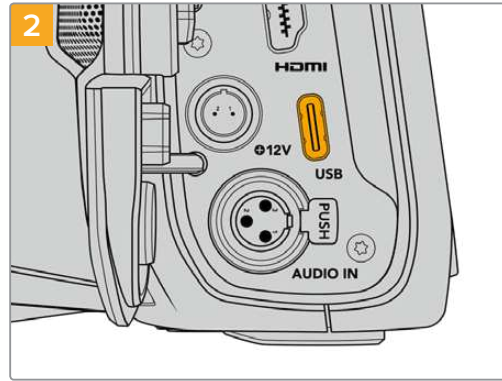
Blackmagic Pocket Cinema Cameraは高速USB-C拡張ポートを搭載しているため、USB-Cフラッシュディスクにビデオを直接収録できます。これらの高速大容量ドライブにはビデオを長時間収録できるため、長時間の撮影に非常に便利です。

収録が終わったら、同じドライブを直接コンピューターに接続し、編集やポストプロダクションの作業が行えます。メディアをコピーする必要はありません。

USB-Cフラッシュディスクを接続する：



カメラの左側面のゴム製カバーを開き、ケーブルのもう一方の端をUSB-Cポートに接続します。



USBタイプCケーブルの一端をUSB-Cフラッシュディスクに接続します。

メモ USB-Cフラッシュディスクがカメラに接続されている場合、カメラのオペレーティングシステムでSDカードと同様に扱われます。つまり、互換性のあるUSB-Cフラッシュディスクが接続されている場合、カメラのSDカードのスロットは使用できません。

USB-Cフラッシュディスクの代わりにSDカードを使用するには、カメラからUSB-Cフラッシュディスクの接続を外します。

高速USB-Cフラッシュディスクの選択

USB-Cフラッシュディスクは、幅広い種類の機器に高速かつ低価格のストレージを提供できるよう設計されており、様々な民生用電化製品店などで購入できます。映画制作はUSB-Cフラッシュディスク市場の一部に過ぎないため、6Kおよび4Kフッテージの収録に必要な速度のドライブを選ぶことは極めて重要です。

多くのUSB-Cフラッシュディスクは家庭用コンピューター向けに作られており、6Kおよび4Kビデオの収録に必要な速度に対応していません。

Pocket Cinema Cameraでの撮影を対象として、Blackmagic Designによりテストされた推奨USB-Cフラッシュディスクのリストは、「推奨収録メディア」セクションを参照してください。

最新の推奨USB-Cフラッシュディスクのリストはサポートページでご確認ください。

www.blackmagicdesign.com/jp/support

USB-Cフラッシュディスクの速度に関する重要な情報

USB-Cフラッシュディスクのモデルによっては、製造業者の公表する速度でビデオデータを保存できないものがあります。その原因は、それらのディスクが高速の書き込み速度を実現するために隠れたデータ圧縮を実行していることにあります。このようなデータ圧縮を用いた処理では、製造業者の公表速度を実現できるのは空のデータやシンプルなファイルなどを保存する場合のみです。ビデオデータに含まれるノイズやピクセルは不規則であり、圧縮に適していないため、ディスクの本当の速度が露呈されます。

USB-Cフラッシュディスクの中には製造業者の公表する半分の書き込み速度しかないものがあります。USB-Cフラッシュディスクの仕様書にビデオを十分に取り扱える速度が記載されていても、リアルタイム収録でビデオを保存すると速度が十分でない場合があるのが現実です。

Blackmagic Disk Speed Testでは、USB-Cフラッシュディスクが高データレートビデオのキャプチャー・再生に対応可能かを正確に計測できます。Blackmagic Disk Speed Testはデータを使用してビデオの保存をシミュレートするため、計測結果はディスクにビデオを収録する際と近似した数値が得られます。Blackmagicによるテストでは、新しく大型のUSB-Cフラッシュディスクや大容量のUSB-Cフラッシュディスクが高速であるという結果が出ています。

Blackmagic Disk Speed Testは、Mac App Storeで入手可能です。WindowsおよびmacOSバージョンは、Blackmagic Desktop Videoにも含まれており、Blackmagic Designサポートセンター (www.blackmagicdesign.com/jp/support) の「キャプチャー・再生」セクションからダウンロードできます。

撮影用にメディアを準備する

CFastカード、SDカード、USB-Cフラッシュディスクは、カメラのストレージとフォーマットメニューのフォーマット機能を使用するか、Mac/Windowsコンピューターでフォーマットできます。最高の性能を得るには、カメラを使ってストレージメディアをフォーマットすることをお勧めします。

HFS+は「OS X Extended」としても知られており、ジャーナリングをサポートしているため推奨されるフォーマットです。万が一、ストレージメディアが破損した場合、ジャーナリングされたメディアのデータは回復できる可能性があります。HFS+はmacOSでネイティブサポートされています。exFATはmacOSおよびWindowsによりネイティブサポートされており、ソフトウェアを別途購入する必要はありませんが、ジャーナリングには対応していません。

Blackmagic Pocket Cinema Cameraでメディアを準備する

- 1 LCDタッチスクリーン底部のストレージインジケータをタップしてストレージ管理に行きます。
- 2 「CFastをフォーマット (Format CFast Card)」または「SDカードをフォーマット (Format SD Card)」をタップします。USB-Cフラッシュディスクをカメラに接続している場合、「SDカードをフォーマット (Format SD Card)」の代わりに「ドライブをフォーマット (Format Drive)」と表示されます。



USB-Cフラッシュディスクをカメラに接続している場合、ストレージおよびフォーマット画面で「SDカードをフォーマット (Format SD Card)」の代わりに「ドライブをフォーマット (Format Drive)」と表示されます。

- 3 リール番号をマニュアルで変更したい場合は、「リール番号を編集 (Edit Reel Number)」をタップします。キーパッドを使用して新しいリール番号を入力し、「アップデート (Update)」を押し、選択を確定します。

- 4 OS X ExtendedあるいはexFATフォーマットを選択してフォーマットボタンを押します。



リール番号をマニュアルで変更するには、「リール番号を編集 (Edit Reel Number)」をタップします。

- 5 確認画面に切り替わり、カードのフォーマットの実行、選択したフォーマット、リール番号が表示されます。フォーマットボタンをタップして選択を確定します。キャンセルするには「キャンセル (Cancel)」をタップします。



フォーマットする前に正しいカードを選択しているか確認してください。

- 6 フォーマットボタンを3秒間長押しして、メディアをフォーマットします。



- 7 フォーマットが完了してドライブが使用できる状態になったら、またはフォーマットに失敗したら、その旨がカメラに表示されます。

- 8 「OK」をタップしてストレージ管理に戻ります。
- 9 「閉じる (Exit)」をタップしてストレージ管理から出ます。

カメラを使って、CFastカード、SDカード、USB-Cフラッシュディスクをフォーマットする場合、メディアの名前には、スレート上のカメラIDとリール番号が使用されます。カメラは、メディアをフォーマットする度にリール番号を自動的に足して調整します。特定のリール番号をマニュアルで入力するには、「リール番号を編集 (Edit Reel Number)」をタップして、番号を入力します。

新しいプロジェクトを始めるため、リール番号を1にリセットしたい場合は、スレートの「プロジェクト (PROJECT)」タブの「データをリセット (Reset Project Data)」をタップします。



カメラのストレージ管理は、現在CFast、SDカード、USB-Cフラッシュディスクのいずれのメディアを管理しているか表示。

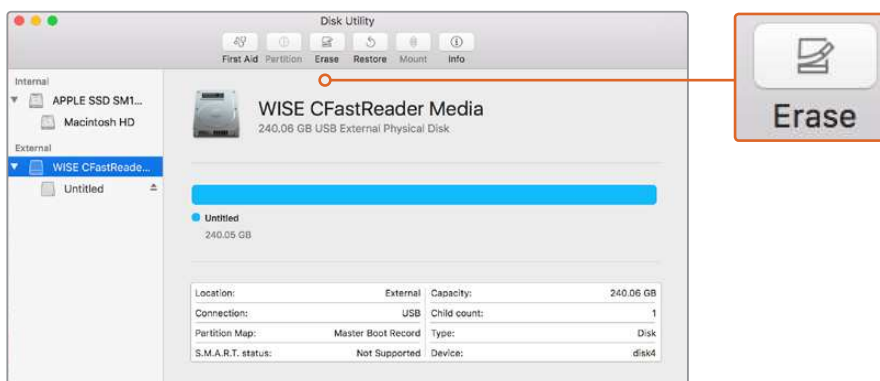
作業のこつ SDカードが書き込み保護されている場合、カメラのLCDタッチスクリーンで、録画可能時間の代わりに「ロック (Locked)」と表示され、カード名の横のストレージメニューにロックアイコンが表示されます。カードのロックを解除するとフォーマットおよび収録が可能になります。詳細は、このマニュアルの「SDカード」セクションを参照してください。

メモ USB-Cフラッシュディスクを接続している場合、ストレージスロット2の上に「外付けドライブ (External Drive)」と表示されます。

Macでメディアを準備

macOSのDisk Utilityアプリケーションで、CFastカード、SDカード、USB-CフラッシュディスクをHFS+あるいはexFATでフォーマットします。フォーマットするとすべてのデータが消去されるので、最初に重要なデータをバックアップしてください。

- 1 ストレージメディアをコンピューターに接続します。このメディアをTime Machineバックアップに使用することを提案するメッセージは無視します。
- 2 Applications/Utility へ行き、Disk Utilityを起動します。
- 3 カメラのストレージメディアのディスクアイコンをクリックし、「Erase」タブをクリックします。
- 4 「Format」を「Mac OS Extended (Journaled)」あるいは「exFAT」に設定します。
- 5 ボリューム名を入力し、「Erase」をクリックします。カメラのストレージメディアがフォーマットされ、使用できる状態になります。

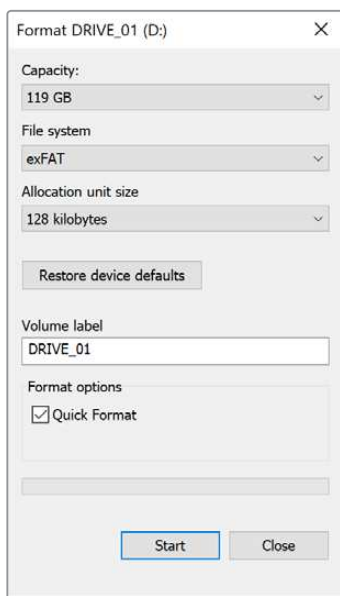


macOSのDisk Utilityを使用して、カメラのストレージメディアをMac OS Extended (Journaled) あるいはexFATでフォーマット

Windowsでメディアを準備

Windowsでは、「Format」ダイアログボックスでカメラのストレージメディアをexFATでフォーマットできます。フォーマットするとすべてのデータが消去されるので、最初に重要なデータをバックアップしてください。

- 1 外付けリーダーやUSB-Cケーブル/アダプターを使用して、カメラのストレージメディアをコンピューターに接続します。
- 2 「Start」メニューまたは「Start」スクリーンを開き、「Computer」を選択します。カメラのストレージメディアを右クリックします。
- 3 コンテキストメニューから「Format」を選択します。
- 4 ファイルシステムを「exFAT」に設定し、ユニットサイズ配分を128キロバイトに設定します。
- 5 ボリュームラベルを入力して「Quick Format」を選択し、「Start」をクリックします。
- 6 ストレージメディアがフォーマットされ、使用できる状態になります。



WindowsのFormatダイアログボックス機能を使用して、カメラのストレージメディアをexFATでフォーマット

メモ 収録映像にコマ落ちが生じる場合は、弊社の推奨するメディアのリストを参照し、使用しているカード/ドライブがコーデックおよびフレームサイズに適切かどうか確認してください。データレートを下げるには、フレームレートまたは解像度を下げるか、あるいはProResなどの圧縮コーデックを使用してください。最新の情報は、Blackmagic Designウェブサイトを参照してください。www.blackmagicdesign.com/jp

メモ Blackmagic Pocket Cinema Cameraでは、パーティション分割したメディアを使用できますが、カメラは収録・再生でメディアの最初のパーティションのみを認識します。

ストレージおよびフォーマットメニューを使ってメディアをフォーマットする場合、収録・再生に使用された最初のパーティションだけでなく、すべてのパーティションを含むドライブ全体がフォーマットされます。このため、単一パーティションのメディアを使用することを強く推奨します。

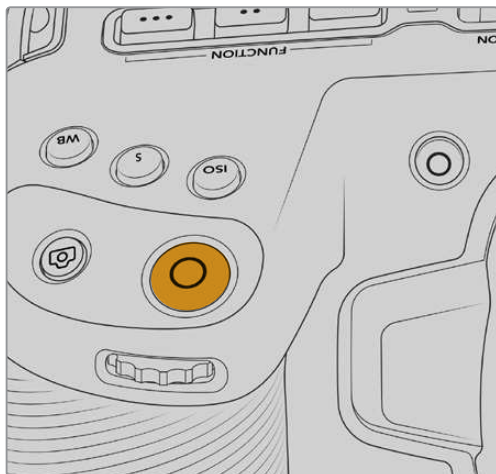
収録

クリップの収録

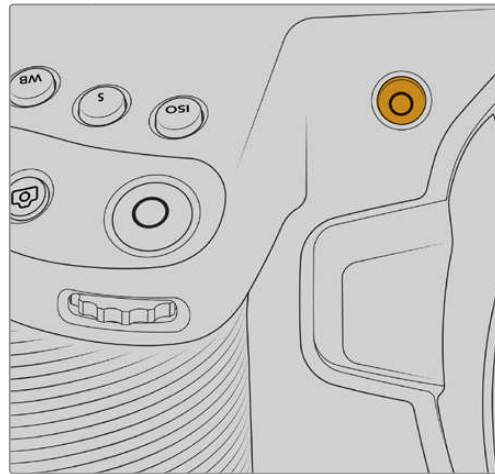
Blackmagic Pocket Cinema Cameraには、録画ボタンが2つ付いています。1つ目の録画ボタンはハンドグリップの上部にあり、カメラのハンドグリップを持った時に右手の人差し指で押せる位置にあります。

2つ目の録画ボタンはカメラの正面にあります。自分自身を撮影したい場合に、カメラを片手で持って自分で録画ボタンを押すことができます。このボタンは使いやすい場所に配置されており、ブログ動画などで自分自身を撮影したい場合に最適です。

どちらかの録画ボタンを押すとすぐに撮影を開始できます。撮影を停止するには、再度録画ボタンを押してください。



カメラのトップパネルの録画ボタン



カメラ前面の録画ボタン

収録を開始する前にタッチスクリーンの下にあるメディア名をタップ&ホールドすると、使用したいメモリカードあるいはUSB-Cフラッシュディスクを選択できます。選択したメディアタイプの上のバーが青くなり、該当のメディアに収録可能になったことを示します。異なる種類のカードやドライブに収録する場合は、メディア名をタップ&ホールドします。収録中、このバーは赤くなります。

撮影フォーマットを選択する

Blackmagic Pocket Cinema Cameraは、ProRes 422 HQ、ProRes 422、ProRes 422 LT、ProRes 422 Proxyを含むApple ProResコーデックで撮影できます。ProResコーデックはより多くのビデオをSDカード、CFast、USB-Cフラッシュディスクに収録できます。ProRes 422 HQは低圧縮で最高画質を得られます。一方、ProRes 422 Proxyは高い圧縮率で長時間の収録が可能です。また、Blackmagic RAWフォーマットも使用できます。いろいろなフォーマットを試して、ワークフローに適したフォーマットを見つけてください。

Blackmagic Pocket Cinema Cameraは、フルセンサーおよびウィンドウセンサーフォーマットにはBlackmagic RAWを使用でき、スケーリングフォーマットには必ずProResを使用する必要があります。

ウィンドウフォーマットおよびスケーリングフォーマットに関する詳細は、「最大センサーフレームレート」セクションを参照してください。

Blackmagic RAW

Blackmagic Pocket Cinema Cameraは、Blackmagic RAWフォーマットにも対応しています。このフォーマットは、優れた画質、ワイドダイナミックレンジ、幅広い圧縮率のオプションを特徴としています。Blackmagic RAWは、RAW収録の利点を余すところなく得られるだけでなく、非常に高速のファイル速度を実現しています。これは、ほとんどの処理がカメラで行われ、カメラ本体でハードウェアアクセラレーションが行われるためです。つまり、Blackmagic RAWは、事前にキャッシュしたり、解像度を下げる必要なく、ほとんどのコンピューターで通常速度で再生できます。

また、Blackmagic RAWは豊富なメタデータに対応しているため、ファイルを読み取るソフトウェアがカメラの設定を認識できます。編集の締め切りが厳しく、カラーコレクションの時間がないため「Video」モードのビデオガンマを使用して撮影する場合、ビデオガンマで撮影したファイルをソフトウェアで開く際にビデオガンマが適用されます。しかし実際は、ファイルは「Film」モードで得られるフィルムガンマであり、ファイルのメタデータがソフトウェアに対してビデオガンマを適用するように指示しているだけです。

これは、将来的にイメージをカラーグレーディングすることになった場合に、ファイルに保存されているフィルムのダイナミックレンジが使用できることを意味します。ホワイトやブラックでイメージがハードクリップされないため、ディテールが維持されており、カラーグレーディングを施してイメージをシネマライクにできます。しかし、カラーグレーディングする時間がない場合でも、ビデオガンマがイメージに適用されているので、通常のビデオカメラのイメージのように見えます。撮影時の選択に固定されることなく、後のポストプロダクションで変更できます。

Blackmagic RAWファイルは非常に高速で、コーデックはコンピューターのCPUとGPUに最適化されます。つまり、すばやく滑らかな再生が可能で、ハードウェアのデコーダーボードは必要ありません。これは、ラップトップでは重要です。また、Apple Metal、Nvidia CUDA、OpenCLに対応しているため、Blackmagic RAWの読み取りに使用するソフトウェアでその利点を活用できます。

つまり、Blackmagic RAWは、事前にキャッシュしたり、解像度を下げる必要なく、ほとんどのコンピューターでビデオファイルのように通常速度で再生できます。

また、レンズ情報もフレームごとにメタデータとして記録されます。例えば、互換性のあるレンズを使用している場合、クリップの撮影中に行われたズームやフォーカスの変更は、フレームごとにBlackmagic RAWファイルにメタデータとして保存されます。

Blackmagic RAWで収録

Blackmagic RAWは2種類の方法でエンコードします。コーデックのオプションには、固定ビットレート (Constant Bitrate) と固定クオリティ (Constant Quality) があります。

固定ビットレートは、他のコーデックと同じように機能します。この設定では、データレートが一定のレベルを保ち、高くなりすぎないようにします。つまり、複雑なイメージを撮影していて、若干多くのデータをイメージに保存する必要がある場合、固定ビットレートではイメージの圧縮を高め、割り当てられたスペースにイメージが収まるようにします。

これは、ビデオコーデックでは良いかもしれませんが、Blackmagic RAWでの収録では予想通りの品質を得る必要があります。撮影しているイメージがより多くのデータを必要としているにも関わらず、特定のデータレートに収まるように圧縮を高めると何が起きるのでしょうか？ 品質が下がりますが、撮影を終えるまで、そのことに気付きません。

これを解決するために、Blackmagic RAWには固定クオリティという別のエンコード方法があります。これは、厳密に言えば可変ビットレートですが、実際には固定クオリティでは、イメージにより多くのデータが必要な場合、ファイルサイズを大きくすることで対応します。ファイルサイズの上限がないため、イメージをエンコードする必要があり、画質を維持したい場合に適しています。

Blackmagic RAWの固定クオリティでは、イメージのエンコードに必要なだけファイルサイズを拡大します。これは、撮影対象によりファイルサイズが拡大あるいは縮小することも意味しています。カメラのレンズキャップをつけたまま撮影しても、メディア容量を無駄にすることはないということです！

Blackmagic RAWの品質設定の名前は謎めいた意味のない名前ではなく、実際の技術的な側面を反映しています。例えば、固定ビットレートの品質設定には、3:1、5:1、8:1、12:1があります。これらの数字は、非圧縮RAWのファイルサイズに対するBlackmagic RAWのファイルサイズの比率を示します。3:1はより優れた画質が得られますが、それに応じてファイルサイズも大きくなります。12:1は品質設定のうち画質は最も低くなりますが、最も小さなファイルサイズが得られます。多数のBlackmagic RAWユーザーから、12:1の設定でまったく問題なく、品質面でも制約は感じられないとのフィードバックを受けています。しかし、自分で使ってみて、様々な設定を試すのが最も良いでしょう。

Blackmagic RAWの固定クオリティの品質設定には、Q0とQ5があります。これらの数字はコーデックで使用される圧縮パラメーターで、圧縮が適用される方法を技術的に設定します。Blackmagic RAWコーデックは、固定ビットレート設定と固定クオリティ設定で異なる方法で機能します。固定クオリティ設定では、撮影対象によってファイルサイズの比率が大いに異なります。そのため、ファイルサイズはメディアの保存に必要な大きさに応じて変わります。

固定ビットレート (Constant Bitrate) 設定

3:1、5:1、8:1、12:1は圧縮率を示します。例えば、12:1では非圧縮RAWと比較して、ファイルサイズは約12分の1になります。

固定クオリティ (Constant Quality) 設定

Q0およびQ5は、量子化のレベルを意味します。Q5の量子化はより高いレベルですが、データレートが極めて優れています。上述したように、固定クオリティは撮影している対象により、ファイルサイズの大きさの振れ幅が大きい設定です。これは、メディアカードが対応可能なファイルサイズを超える場合があることを意味します。これにより、コマ落ちが発生する可能性があります。しかし、この利点は撮影中に問題をすぐに発見でき、設定と品質を調整できることです。

Blackmagic RAW Player

Blackmagic RAW Playerは、Blackmagicカメラのソフトウェアインストーラーに含まれており、クリップ再生用に効率化されたアプリケーションです。Blackmagic RAWファイルを開くには、ファイルをダブルクリックするだけです。フル解像度およびビット深度でファイルをすばやく再生およびスクロールできます。

フレームのデコードにおいては、SDKライブラリのCPUアクセラレーションはあらゆる主要なアーキテクチャをサポートしており、GPUアクセラレーションはApple Metal、Nvidia CUDA、OpenCLをサポートしています。また、Blackmagic eGPUにも対応しており、パフォーマンスをさらに向上できます。Blackmagic RAW Playerは、Mac、Windows、Linuxで使用できます。

サイドカーファイル

Blackmagic RAWのサイドカーファイルは、オリジナルのファイル内のエンベッドされたメタデータを上書きすることなく、ファイルのメタデータをオーバーライドできます。このメタデータには、Blackmagic RAW設定の他、アイリス、フォーカス、焦点距離、ホワイトバランス、ティント、カラースペース、プロジェクト名、テイク番号などの情報が含まれています。メタデータは、収録されたクリップの全域にわたって、フレームごとにエンコードされます。これは、撮影中にレンズを調整した場合、フレームごとのレンズデータを含むため役に立つ情報です。DaVinci Resolveだけでなく、テキストエディターでも、メタデータをサイドカーファイルで編集や追加できます。これは、人間が読める形式のメタデータが使用されているからです。

サイドカーファイルは、対応するBlackmagic RAWファイルの入っているフォルダーに移動させるだけで、新しいBlackmagic RAW設定を再生の際に自動的に追加できます。フォルダーからサイドカーファイルを取り出し、再度Blackmagic RAWを開くと、変更した設定は適用されず、オリジナルのファイルが再生されます。Blackmagic RAW SDKを使用するあらゆるソフトウェアで、これらの設定にアクセスできます。サイドカーファイルには変更の情報が保存されており、Blackmagic RAW Playerや、Blackmagic RAWの読み取りが可能なあらゆるソフトウェアで確認できます。

「Video」モードのビデオガンマで撮影する際は、ファイルは「Film」モードで得られるフィルムガンマを使用しますが、Blackmagic RAWを表示するにあたって、メタデータがビデオガンマを使用するように指示します。ビデオガンマは、イメージをグレーディングする余裕がなく、コンテンツをすみやかに納品する必要がある場合に優れていますが、Blackmagic RAWではイメージのブラックやホワイトを調整する上で必要なすべてのディテールが保存されています。ビデオがクリップされることなく、ディテールがすべて維持されているので、いつでもアクセスできます。

DaVinci ResolveでBlackmagic RAWを使用

各Blackmagic RAWファイルの設定は調整が可能で、DaVinci Resolveの「カメラRAW」タブで新しいサイドカーファイルとして保存できます。これにより、クリエイティブなエフェクトの作成や視聴のための最適化が可能です。つまり、他のDaVinci Resolveユーザーのためにメタデータを複製でき、それを読み込むと、変更されたガンマ設定に自動的にアクセスできるようになります。さらに、DaVinci Resolveは、カメラファイルに含まれるその他のメタデータに加え、撮影時に選択したダイナミックレンジを読み込めるため、「Film」、「Extended Video」、「Video」から適切なダイナミックレンジを自動的に選択してクリップを表示します。

これらの設定は、彩度、コントラスト、ミッドポイントに加え、「ハイライト ロールオフ」および「シャドウ ロールオフ」でカスタマイズできます。いかなる調整もサイドカーファイルとして保存され、ポストプロダクションで該当のファイルで作業をしている全ての人が確認できます。オリジナルのカメラメタデータには、いつでも戻すことが可能です。

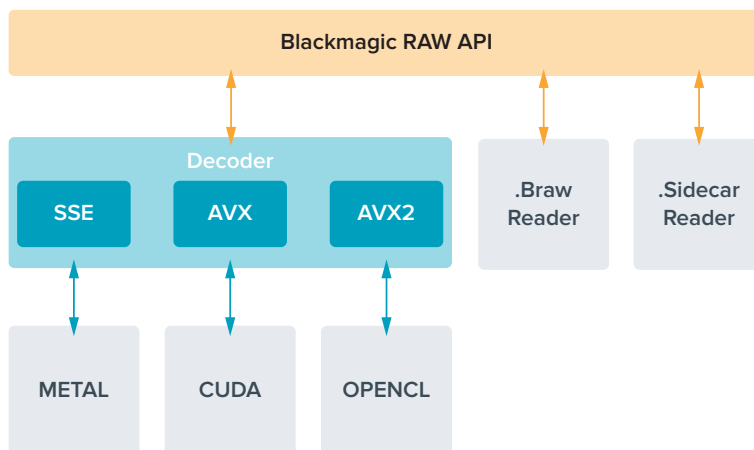
DaVinci Resolveの「カメラRAW」タブでBlackmagic RAWの単一フレームを書き出すこともできます。これには、すべての調整、メタデータ、フル解像度、色情報が含まれているため、他のユーザーと単一のフレームや参照ファイルを簡単に共有できます。

DaVinci ResolveでのBlackmagic RAWの使用方法に関しては、このマニュアルの「DaVinci Resolveの使用」を参照してください。

Blackmagic RAWソフトウェア開発キット

Blackmagic RAW SDKは、Blackmagic Designにより開発されたAPIです。このSDKを使用して、Blackmagic RAWフォーマットを使用する、独自のアプリケーションを書くことができます。開発者は、このSDKライブラリを使用して、Blackmagic RAWファイルの読み取り、編集、保存のサポートを追加できます。Blackmagic RAW SDKには、あらゆる第4世代カラーサイエンスが含まれているため、Blackmagic RAWをサポートするあらゆるアプリで、自然でシネマライクなイメージを得られます。Blackmagic RAW SDKは、Mac、Windows、Linuxに対応しており、Blackmagicのウェブサイトにある開発者ページから無償でダウンロードできます。www.blackmagicdesign.com/jp/developer

Blackmagic RAW APIのコンポーネントの概要：



最大センサーフレームレート

Blackmagic Pocket Cinema Camera 6K最大センサーフレームレート

	解像度	コーデック	センサースキャン	最大フレームレート
6K	6144 x 3456	Blackmagic RAW	フル	50
6K 2.4:1	6144 x 2560	Blackmagic RAW	ウィンドウ	60
5.7K 17:9	5744 x 3024	Blackmagic RAW	ウィンドウ	60
4K DCI	4096 x 2160	ProRes 422 HQ	5.7Kからスケーリング	60
	4096 x 2160	ProRes 422	5.7Kからスケーリング	60
	4096 x 2160	ProRes 422 LT	5.7Kからスケーリング	60
	4096 x 2160	ProRes 422 Proxy	5.7Kからスケーリング	60
Ultra HD	3840 x 2160	ProRes 422 HQ	フルからスケーリング	50
	3840 x 2160	ProRes 422	フルからスケーリング	50
	3840 x 2160	ProRes 422 LT	フルからスケーリング	50
	3840 x 2160	ProRes 422 Proxy	フルからスケーリング	50
	3840 x 2160	ProRes 422 HQ	5.7Kからスケーリング	60
	3840 x 2160	ProRes 422	5.7Kからスケーリング	60
	3840 x 2160	ProRes 422 LT	5.7Kからスケーリング	60
	3840 x 2160	ProRes 422 Proxy	5.7Kからスケーリング	60
3.7K Anamorphic	3728 x 3104	Blackmagic RAW	ウィンドウ	60
2.8K 17:9	2868 x 1512	Blackmagic RAW	ウィンドウ	120

	解像度	コーデック	センサースキャン	最大フレームレート
HD	1920 x 1080	ProRes 422 HQ	フルからスケーリング	50
	1920 x 1080	ProRes 422	フルからスケーリング	50
	1920 x 1080	ProRes 422 LT	フルからスケーリング	50
	1920 x 1080	ProRes 422 Proxy	フルからスケーリング	50
	1920 x 1080	ProRes 422 HQ	5.7Kからスケーリング	60
	1920 x 1080	ProRes 422	5.7Kからスケーリング	60
	1920 x 1080	ProRes 422 LT	5.7Kからスケーリング	60
	1920 x 1080	ProRes 422 Proxy	5.7Kからスケーリング	60
	1920 x 1080	ProRes 422 HQ	2.7Kからスケーリング	120
	1920 x 1080	ProRes 422	2.7Kからスケーリング	120
	1920 x 1080	ProRes 422 LT	2.7Kからスケーリング	120
	1920 x 1080	ProRes 422 Proxy	2.7Kからスケーリング	120

Blackmagic Pocket Cinema Camera 4K最大センサーフレームレート

	解像度	コーデック	センサースキャン	最大フレームレート
4K DCI	4096 x 2160	Blackmagic RAW	フル	60
	4096 x 2160	ProRes 422 HQ	フル	60
	4096 x 2160	ProRes 422	フル	60
	4096 x 2160	ProRes 422 LT	フル	60
	4096 x 2160	ProRes 422 Proxy	フル	60
4K 2.4:1	4096 x 1712	Blackmagic RAW	ウィンドウ	75
Ultra HD	3840 x 2160	Blackmagic RAW	ウィンドウ	60
	3840 x 2160	ProRes 422 HQ	ウィンドウ	60
	3840 x 2160	ProRes 422	ウィンドウ	60
	3840 x 2160	ProRes 422 LT	ウィンドウ	60
	3840 x 2160	ProRes 422 Proxy	ウィンドウ	60
2.8K Anamorphic	2880 x 2160	Blackmagic RAW	ウィンドウ	80
2.6K 16:9	2688 x 1512	Blackmagic RAW	ウィンドウ	120
HD	1920 x 1080	ProRes 422 HQ	フルからスケーリング	60
	1920 x 1080	ProRes 422	フルからスケーリング	60
	1920 x 1080	ProRes 422 LT	フルからスケーリング	60
	1920 x 1080	ProRes 422 Proxy	フルからスケーリング	60
	1920 x 1080	ProRes 422 HQ	2.6Kからスケーリング	120
	1920 x 1080	ProRes 422	2.6Kからスケーリング	120
	1920 x 1080	ProRes 422 LT	2.6Kからスケーリング	120
	1920 x 1080	ProRes 422 Proxy	2.6Kからスケーリング	120
	1920 x 1080	Blackmagic RAW	ウィンドウ	120
	1920 x 1080	ProRes 422 HQ	ウィンドウ	120
	1920 x 1080	ProRes 422	ウィンドウ	120
	1920 x 1080	ProRes 422 LT	ウィンドウ	120
	1920 x 1080	ProRes 422 Proxy	ウィンドウ	120

メモ 2.6Kの16:9撮影フォーマットのセンサーエリアは、スーパー16mmレンズと高フレームレートを使用するために最適化されています。

収録時間

以下の表は、フォーマット、プロジェクトのフレームレート、メディアのサイズに基づいて、およその収録時間を分と秒で示しています。Pocket Cinema Camera 6KとPocket Cinema Camera 4Kでは、使用可能な解像度とコーデックが異なることに注意してください。

ストレージメディアの最大収録時間は、CFastカード、SDカード、USB-Cフラッシュディスクのデータ容量や、選択した収録フォーマットおよびフレームレートによって変わります。例えば、3840x2160のApple ProRes 422 HQの場合、およそ880Mbpsです。24fpsの場合、256GBのCFast 2.0カードにおよそ47分収録可能です。同じ設定で、128GBのCFastカードにおよそ23分収録可能です。これは256GBのCFastカードのおよそ半分の収録時間です。

メディアの収録時間は、メーカーごとに若干の違いがあります。また、exFAT、Mac OS X Extendedなど、ストレージメディアのフォーマット形式によっても異なります。

ディテールが少ないシンプルなシーンは、複雑な構成のシーンよりもデータが少ない傾向があります。以下の表は、複雑なショットを撮影していることを前提とした数値です。撮影内容によっては、記載されている時間よりも少し長く収録できる可能性があります。

6K					
CFast カード	フレーム レート	Blackmagic RAW 3:1	Blackmagic RAW 5:1	Blackmagic RAW 8:1	Blackmagic RAW 12:1
		収録時間	収録時間	収録時間	収録時間
256GB	23.98	17分	28分	45分	67分
	24	17分	28分	45分	67分
	25	16分	27分	43分	64分
	30	13分	22分	36分	54分
	50	8分	13分	21分	32分

6K 2.4:1					
CFast カード	フレーム レート	Blackmagic RAW 3:1	Blackmagic RAW 5:1	Blackmagic RAW 8:1	Blackmagic RAW 12:1
		収録時間	収録時間	収録時間	収録時間
256GB	23.98	23分	38分	60分	91分
	24	22分	38分	60分	91分
	25	21分	36分	58分	87分
	30	18分	30分	48分	72分
	50	11分	18分	29分	43分
	60	9分	15分	24分	36分

5.7K 17:9					
CFast カード	フレーム レート	Blackmagic RAW 3:1	Blackmagic RAW 5:1	Blackmagic RAW 8:1	Blackmagic RAW 12:1
256GB		収録時間	収録時間	収録時間	収録時間
	23.98	20分	34分	55分	82分
	24	20分	34分	55分	82分
	25	19分	33分	52分	79分
	30	16分	27分	44分	66分
	50	10分	16分	26分	39分
	60	8分	13分	22分	33分

4K DCI									
CFast カード	フレーム レート	Blackmagic RAW 3:1	Blackmagic RAW 5:1	Blackmagic RAW 8:1	Blackmagic RAW 12:1	ProRes 422 HQ	ProRes 422	ProRes 422 LT	ProRes 422 Proxy
256GB		収録時間	収録時間	収録時間	収録時間	収録時間	収録時間	収録時間	収録時間
	23.98	39分	65分	104分	155分	44分	66分	95分	216分
	24	39分	65分	103分	155分	44分	66分	95分	216分
	25	37分	62分	99分	149分	42分	64分	91分	207分
	30	31分	52分	83分	124分	35分	53分	76分	173分
	50	18分	31分	49分	74分	21分	32分	45分	104分
	60	15分	26分	41分	62分	17分	26分	38分	87分

4K 2.4:1					
CFast カード	フレーム レート	Blackmagic RAW 3:1	Blackmagic RAW 5:1	Blackmagic RAW 8:1	Blackmagic RAW 12:1
256GB		収録時間	収録時間	収録時間	収録時間
	23.98	50分	84分	134分	201分
	24	50分	84分	134分	201分
	25	48分	81分	129分	193分
	30	40分	67分	108分	161分
	50	24分	40分	65分	97分
	60	20分	33分	54分	81分
	80	17分	28分	45分	68分

ULTRA HD									
CFast カード	フレーム レート	Blackmagic RAW 3:1	Blackmagic RAW 5:1	Blackmagic RAW 8:1	Blackmagic RAW 12:1	ProRes 422 HQ	ProRes 422	ProRes 422 LT	ProRes 422 Proxy
256GB		収録時間	収録時間	収録時間	収録時間	収録時間	収録時間	収録時間	収録時間
	23.98	41分	68分	110分	164分	47分	71分	101分	230分
	24	41分	68分	109分	164分	47分	71分	101分	230分
	25	39分	66分	105分	157分	45分	68分	97分	221分
	30	33分	55分	88分	131分	38分	57分	81分	184分
	50	19分	33分	52分	79分	22分	34分	48分	111分
	60	16分	27分	44分	66分	18分	28分	40分	92分

3.7K Anamorphic					
CFast カード	フレーム レート	Blackmagic RAW 3:1	Blackmagic RAW 5:1	Blackmagic RAW 8:1	Blackmagic RAW 12:1
256GB		収録時間	収録時間	収録時間	収録時間
	23.98	31分	51分	82分	123分
	24	31分	51分	82分	123分
	25	29分	49分	79分	118分
	30	24分	41分	65分	98分
	50	15分	24分	39分	59分
	60	12分	20分	33分	49分

2.8K Anamorphic					
CFast カード	フレーム レート	Blackmagic RAW 3:1	Blackmagic RAW 5:1	Blackmagic RAW 8:1	Blackmagic RAW 12:1
256GB		収録時間	収録時間	収録時間	収録時間
	23.98	57分	95分	151分	226分
	24	57分	95分	151分	226分
	25	54分	91分	145分	217分
	30	45分	76分	121分	181分
	50	27分	45分	73分	109分
	60	22分	38分	61分	91分
	80	17分	28分	45分	68分

2.8K 17:9					
CFast カード	フレーム レート	Blackmagic RAW 3:1	Blackmagic RAW 5:1	Blackmagic RAW 8:1	Blackmagic RAW 12:1
256GB		収録時間	収録時間	収録時間	収録時間
	23.98	81分	136分	216分	321分
	24	81分	135分	215分	320分
	25	78分	130分	207分	308分
	30	65分	108分	173分	258分
	50	39分	65分	104分	156分
	60	32分	54分	87分	130分
	120	16分	27分	43分	65分

2.6K 16:9					
CFast カード	フレーム レート	Blackmagic RAW 3:1	Blackmagic RAW 5:1	Blackmagic RAW 8:1	Blackmagic RAW 12:1
256GB		収録時間	収録時間	収録時間	収録時間
	23.98	87分	144分	230分	342分
	24	87分	144分	229分	342分
	25	83分	138分	220分	328分
	30	69分	115分	184分	275分
	50	41分	69分	111分	166分
	60	34分	58分	92分	138分
	120	17分	29分	46分	69分

HD									
CFast カード	フレーム レート	Blackmagic RAW 3:1	Blackmagic RAW 5:1	Blackmagic RAW 8:1	Blackmagic RAW 12:1	ProRes 422 HQ	ProRes 422	ProRes 422 LT	ProRes 422 Proxy
256GB		収録時間	収録時間	収録時間	収録時間	収録時間	収録時間	収録時間	収録時間
	23.98	159分	264分	418分	619分	189分	283分	403分	877分
	24	159分	264分	418分	618分	189分	283分	403分	877分
	25	153分	253分	402分	595分	182分	271分	387分	843分
	30	127分	212分	336分	499分	152分	227分	324分	710分
	50	76分	127分	203分	303分	91分	137分	196分	434分
	60	64分	106分	170分	254分	76分	114分	163分	363分
	120	32分	54分	87分	130分	38分	57分	82分	185分

メモ Blackmagic RAWは、フルまたはウィンドウセンサーを使用する撮影フォーマットに対応しています。スケーリングフォーマットには、ProResコーデックを選択してください。

6K、6K 2.4:1、5.7K 17:9、3.7K Anamorphic、2.8K 17:9フォーマットは、Pocket Cinema Camera 6Kでのみ使用可能で、Blackmagic RAWで対応しています。Pocket Cinema Camera 6Kは、4K DCI、Ultra HD、HDフォーマットにはProResを使用します。

4K 2.4:1、2.8K Anamorphic、2.6K 16:9フォーマットは、Pocket Cinema Camera 4Kでのみ使用可能で、Blackmagic RAWで対応しています。Pocket Cinema Camera 4Kは、4K DCI、Ultra HD、HDフォーマットにBlackmagic RAWまたはProResを使用します。

固定クオリティ (Constant Quality) のQ0およびQ5は、残り録画可能時間を可変的に表示します。Q0の推定収録時間は固定ビットレート (Constant Bitrate) 3:1と同じくらいで、Q5は12:1と同じくらいです。しかし、収録中は10秒ごとに推定時間が更新されるため、残り録画可能時間を判断する最良の方法は、20秒間収録して、タッチスクリーンのメディア領域の録画可能時間を確認することです。

フレームレートの選択

フレームレートの選択肢が多いため、どのフレームレートが最適なのか迷うかもしれません。

一般的に、センサーフレームレートは、以下に挙げる要素を考慮して選択します。映画とテレビには、長年に渡って使用されている表示基準があります。国によってフレームレートの基準は異なりますが、1秒ごとのフレーム数の基準は、滑らかでリアルな動きを表現するという同一の目的のために設定されています。

例えば、映画では24fpsが基準となっています。近年、より高速のフレームレートが実験的に使用されていますが、世界的には24fpsが幅広く支持されていると言えます。

テレビのフレームレートは、一般的に各国の放送技術基準に則しています。例えば、テレビのコンテンツ制作では、北アメリカでの放送用には29.97fpsで撮影し、ヨーロッパでの放送用には25fpsで撮影します。

しかし、技術の向上に伴ってより多くの選択肢が登場しており、放送基準は日々変化しています。スポーツイベントは、高フレームレートで撮影・放送されることが一般的になっています。例として、いくつかのスポーツイベントは、北アメリカでは59.94fps、ヨーロッパでは50fpsで撮影・放送されています。これにより、高速のアクションでも動きが滑らかで、よりリアルな映像になります。

一方、ネット配信やオンライン放送では、一般的にテレビと似たフレームレートが使用されています。しかし、ユーザーが視聴フォーマットを選択可能であり、また視聴者が使用するスクリーンのディスプレイ性能により制限されるため、様々なフォーマットを試す機会の多い媒体です。

概して、プロジェクトのフレームレートは、納品フォーマットに基づいて決定します。カメラのプロジェクトフレームレートを納品フォーマットに合わせると、センサーフレームがマッチします。つまり、撮影したクリップが、実際と同じ速度で再生されます。

スローモーションなどの面白いエフェクトを作成したい場合は、センサーフレームレートを高く設定します。プロジェクトフレームレートに比べてセンサーフレームレートが高いと、再生速度が遅くなります。

オフスピードのセンサーフレームレートを使ったクリエイティブなエフェクトの作成に関しては、「タッチスクリーン・コントロール」セクションを参照してください。

トリガー収録

Blackmagic Video Assistなど、トリガー収録をサポートしている機器と接続している場合、Blackmagic Pocket Cinema CameraのHDMI出力から自動的に信号が送信され、それがトリガーとなって収録が開始されます。

つまり、カメラの録画ボタンを押すと外部レコーダーも収録を開始し、カメラで収録を停止するとレコーダーも収録を停止します。また、カメラからHDMI経由でタイムコードが出力されるため、外部レコーダーに収録されたクリップは、カメラに収録されたクリップと同じタイムコードを有します。

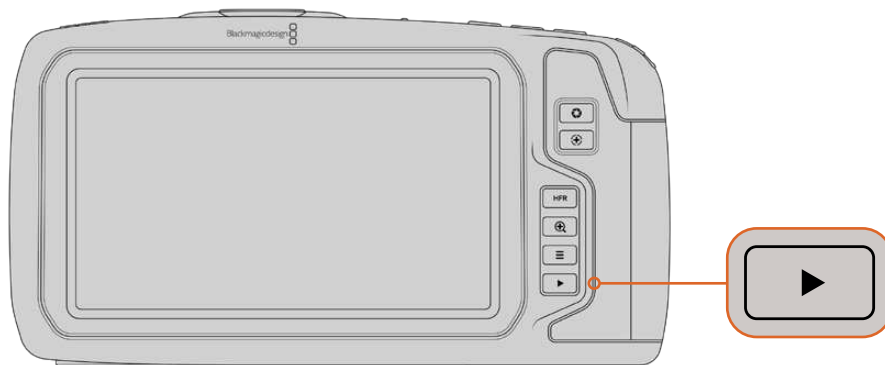
外部レコーダーがトリガー収録に対応している場合、同機能を有効にする必要があります。一般的には設定メニューで有効にできます。

再生

クリップの再生

カメラのトランスポートコントロールボタンを使って、撮影したビデオをLCDで再生できます。再生ボタンを押すと、再生モードに切り替わります。もう一度再生ボタンを押すと、最後に収録したクリップを、LCDやHDMI出力に接続したディスプレイで再生できます。クリップを早送り/巻き戻しするには、LCDの早送り/巻き戻しボタンを長押しします。クリップを最後まで再生すると、再生は停止します。

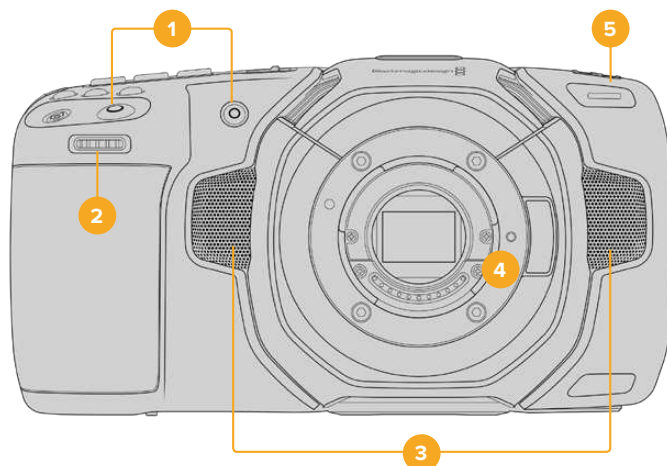
早送り/巻き戻しボタンを押すとクリップの最初/最後に飛びます。巻き戻しボタンを1回押すと、現在のクリップの頭に戻り、2回押すと前のクリップの頭に戻ります。録画ボタンを押すと再生モードから出て、タッチスクリーンがカメラビューに戻ります。



最後に収録したクリップを内蔵タッチスクリーンで確認するには、トランスポートコントロールの再生ボタンを押します。

カメラの機能

カメラ正面



1 録画ボタン

どちらかの録画ボタンを押すと、撮影を開始/停止できます。カメラの正面にある録画ボタンは、自分自身を撮影する場合に、簡単に撮影を開始/停止できます。

2 設定ホイール

設定ホイールでは、カメラにマウントされた互換レンズの絞り調整できます。タッチスクリーンを自分に向けた状態でホイールを左に回すとアイリスが開き、右に回すと閉じます。設定ホイールは、ホワイトバランス、シャッターアングル、ISO設定の調整にも使用できます。カメラ上部の対応するボタンを押し、設定ホイールを回して選択します。選択したら設定ホイールを押して、選択メニューを出ます。

3 ステレオマイク

4つの高品質のステレオマイクが内蔵されています。マイクオーディオ設定に関する詳細は、「オーディオ設定」セクションを参照してください。

4 レンズマウント

Blackmagic Pocket Cinema Camera 6Kはアクティブ方式のEFレンズマウント、4Kモデルはアクティブ方式のMFTレンズマウントを搭載しています。つまり、両カメラとも、スタビライザーを内蔵したレンズを使用でき、互換レンズでオートフォーカスと自動露出を使用できます。多くのアクティブ方式レンズに搭載されているイメージスタビライザー (IS) を使用するには、スタビライザーのスイッチをオンにして、カメラのイメージスタビライザーを有効にします。レンズにスタビライザーモード・スイッチが付いている場合、スイッチをスチルショット/動画用の適切なモードに設定します。物理的なスタビライザースイッチがレンズに付いていない場合は、カメラの「セットアップ (SETUP)」メニューで「イメージスタビライゼーション (IMAGE STABILIZATION)」をオンにできます。

5 タリー/収録インジケータ

Blackmagic Pocket Cinema Cameraは正面に小さなLEDが付いており、収録中に赤く光ります。「セットアップ (SETUP)」メニューで、タリーライトインジケータを有効/無効にでき、また明るさも調整できます。詳細は、「セットアップ設定 (SETUP)」セクションを参照してください。

右側面



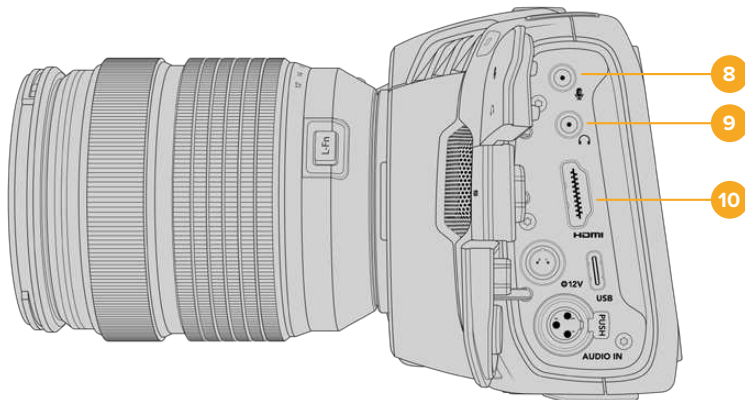
6 CFastカードスロット

CFast 2.0カードをスロットに挿入して収録/再生。詳細は「CFastカード」セクションを参照してください。

7 SDカードスロット

SDカードをスロットに挿入して収録/再生。詳細は「SDカード」セクションを参照してください。

左側面



8 3.5mmマイク入力

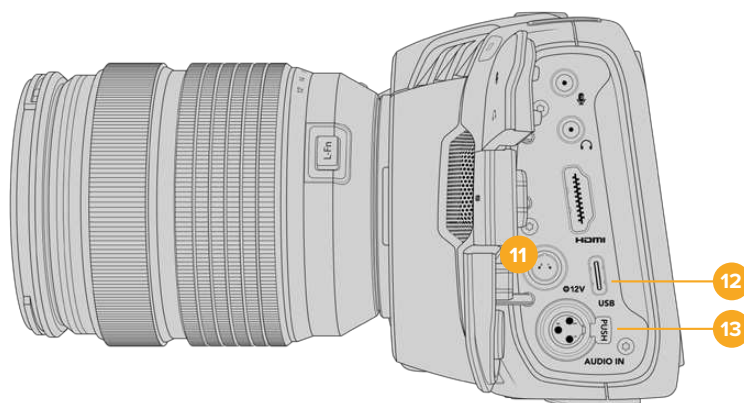
カメラの3.5mmステレオ端子にマイクを接続します。Mic/Lineレベルのオーディオをサポートしています。MicレベルオーディオはLineレベルよりも弱いため、マイクをカメラに接続してLineレベルを選択した場合、レベルが弱すぎることになります。マイク入力は、左チャンネルの外部ソースからのSMPTE準拠のLTCタイムコードも受信可能です。有効なタイムコードは自動的に検出され、ビデオファイルにタイムコードメタデータとしてエンベッドされます。LTCタイムコードはLineレベルで送信することを推奨します。特に、オーディオトラックとしてタイムコードを収録していない場合にお勧めします。

9 ヘッドフォン入力

3.5mmステレオヘッドフォンジャック端子にヘッドフォンを接続し、クリップの収録/再生中にオーディオモニタリングが可能です。ヘッドフォンが接続されている時は、スピーカー出力はミュートされます。

10 HDMI出力

フルサイズのHDMIコネクタは、10-bit 4:2:2 1080p HDビデオ、HDR、2チャンネルのエンベッドオーディオをサポートします。タッチスクリーンメニューを使用して、クリーンフィード、あるいはオーバーレイを含むフィードを設定できます。



11 電源入力

DCジャックを使用して、カメラへの給電とバッテリーのトリクル充電を同時に行えます。電源アダプターを接続するには、プラグを回してDCジャック上部のくぼみに合わせ、固定されるまでプラグを押し込みます。電源プラグを外すには、ロックシースを格納してプラグを抜きます。

カスタム電源ソリューション

一部のユーザーは、Blackmagic Pocket Cinema Cameraへの電源供給用のデバイスをカスタムメイドしています。ダミーバッテリーを用いて、独自の電源ソリューションを作成する場合、カメラに供給される電圧が過剰にならないようにしてください。修復不可能な損傷が生じることがあります。Pocket Cinema Cameraの電圧要件は以下の通りです：

- バッテリー入力への接続は、6.2Vから最大10Vです。
- DC入力は、10.8Vから最大20Vです。
- スタンバイ状態でバッテリーに充電していない場合、カメラは16W必要です。
- LP-E6バッテリーに充電している場合、カメラは30W必要です。
- カスタムメイドの電源ソースでカメラに給電する場合、LP-E6バッテリーを取り外すことを推奨します。
- アクティブ方式のレンズを使用し、スクリーンおよびタリーを最も明るく設定した状態で、高フレームレートで外部メディアに収録しており、かつバッテリーに充電していない場合、Pocket Cinema Camera 6Kは25W、Pocket Cinema Camera 4Kは22W必要です。

12 USB

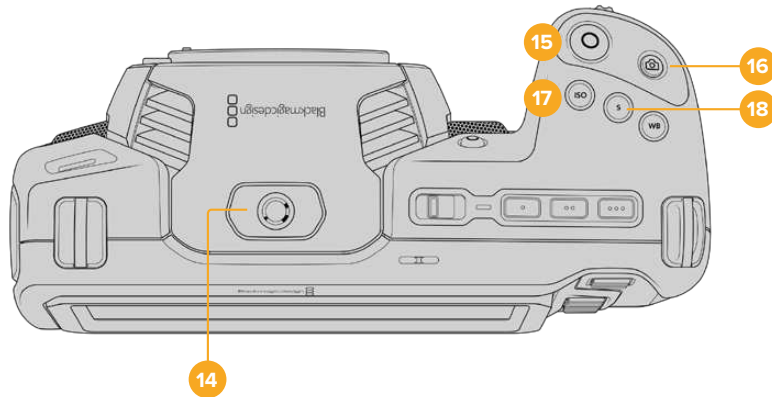
USB-Cポートに接続したUSB-Cフラッシュディスクに直接収録できます。カメラの電源が入っていない時には、USB-Cポート経由でバッテリーパックなどの外部ソースからバッテリーを充電できます。カメラの内部ソフトウェアをアップデートするには、USB-Cポート経由でカメラをコンピューターに接続し、カメラのアップデートアプリケーションを起動します。

13 ミニXLRマイク入力

ミニXLRコネクタで、外部バランスアナログオーディオを接続できます。XLR—ミニXLRアダプターケーブルを使用すれば、標準のXLRマイクをカメラに接続できます。

ミニXLR入力はファンタム電源に対応しており、内部電源未対応のプロ仕様マイクを接続できます。ファンタム電源を有効にする方法の詳細は、このマニュアルの「オーディオ」セクションを参照してください。

トップパネル



14 1/4-20マウントポイント

カメラ上部の1/4-20マウントポイントで外部マイクやその他の小さなアクセサリを接続できます。

メモ Pocket Cinema Camera上部の1/4インチマウントは、小型マイクなどの軽量アクセサリの接続にのみ使用してください。ねじ込み式のカメラハンドルなどのアクセサリを重いレンズと一緒に使用すると、上部の1/4インチマウントではカメラの重量をサポートできません。1/4インチマウントが破損する可能性があり、これは保証に含まれていません。重いアクセサリを拡張アームにマウントするなど、てこによる過度の力をマウントに加えないでください。より重いアクセサリをマウントするには、Pocket Cinema Camera用に設計されたカメラケージを、カメラ上部と下部の1/4インチマウント両方を同時に使用して取り付けることを強く推奨します。

15 録画

録画ボタンを押すとすぐに撮影できます。撮影を停止するには録画ボタンをもう一度押します。

16 スチル

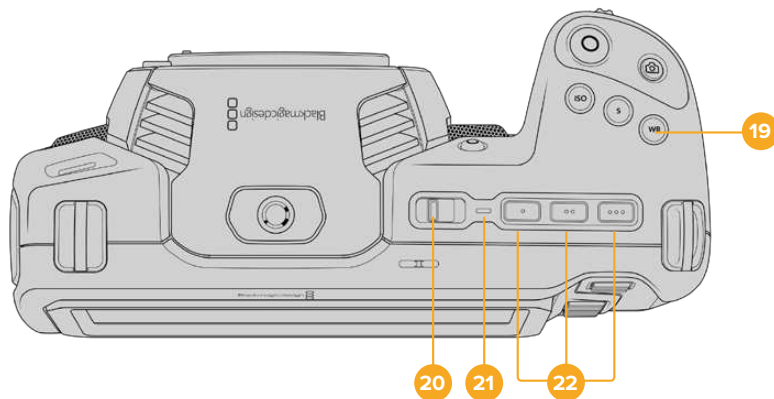
このボタンを押すと、単一の非圧縮DNGフレームをキャプチャーできます。タッチスクリーンの右上にカメラのアイコンが短時間表示され、スチルをキャプチャーできたことを示します。イメージファイルは、現在収録しているメディアのルートディレクトリにある「Stills」フォルダーに保存されます。これらはビデオクリップのファイル名定義に従いますが、ファイル名の末尾の4文字は、「スチル番号」を意味する「S001」になります。

17 ISO

ISOボタンを押し、設定ホイールを回してカメラのISO設定を調整します。ISOは100から25,600の範囲で1/3段ずつ設定できます。

18 シャッター

シャッターアングル/シャッタースピードを変更するには、シャッターボタンを押し、設定ホイールを回します。フリッカーが生じないシャッターの値のオプションが、タッチスクリーンディスプレイに最大3つ表示されます。



19 ホワイトバランス

カメラのホワイトバランスを調整するには、ホワイトバランス (WB) ボタンを押し、設定ホイールを回します。ホワイトバランスボタンを3秒以上長押しすると、「自動ホワイトバランス (AWB)」のスクリーンになります。イメージの中央に白い枠がオーバーレイされるので、この枠を使って自動ホワイトバランスを実行します。詳細は、「タッチスクリーン・コントロール」セクションを参照してください。

20 電源スイッチ

カメラをオンにする電源スイッチ。スイッチを右にスライドさせるとオン、左にスライドするとオフになります。

21 ステータスLED

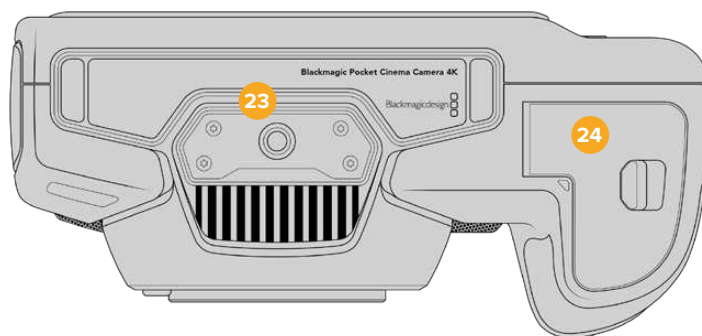
カメラがオフになっており、12V DC電源ジャックあるいはUSB-Cポート経由で外部電源に接続されている場合、インジケータが赤く光り、バッテリーが充電されていることを示します。

バッテリーがフルになるとステータスLEDはオフになります。

22 機能ボタン

カメラの「セットアップ (SETUP)」メニューで、これらのキーに使用頻度の高い機能をプログラムできます。デフォルトでは、ボタン1はフォルスカラー、ボタン2はLUTの表示、ボタン3はフレームガイドに設定されています。

カメラ底面



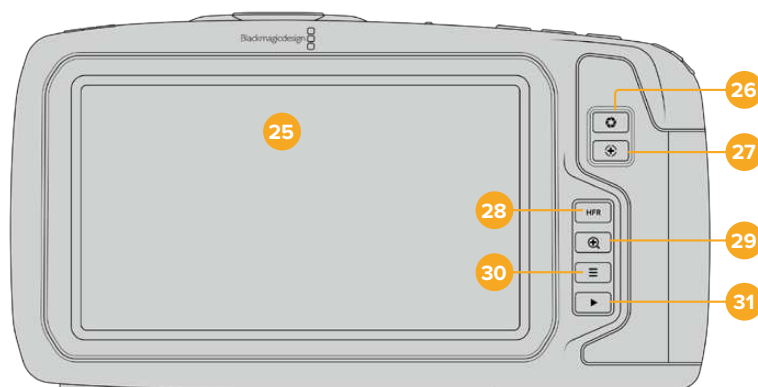
23 1/4-20マウントポイント

底面の1/4-20マウントポイントを使ってカメラを三脚に取り付けられます。

24 バッテリーカバー

カバーリリースをレンズマウントの方向に押し、バッテリーカバーを開きます。閉じるときは、カチッと音がするまでカバーを閉じます。

カメラ背面



25 タッチスクリーン・ディスプレイ

収録/再生中に、タッチスクリーンでクリップをモニタリングできます。タップ&スワイプで設定の調整やカメラのコントロールが可能です。

26 アイリスボタン

アイリスボタンを押すと、ショット内のハイライトとシャドウに基づいた平均露出が自動的に設定されます。設定ホイールを左右に回すか、あるいはタッチスクリーンで「アイリス (IRIS)」をタップした後にアイリススライダーを使用して、レンズアパーチャーをマニュアルで調整できます。

27 フォーカスボタン

互換性のあるオートフォーカスレンズを使用する場合、フォーカスボタンを1回押すとオートフォーカスが可能です。デフォルトでは、イメージの中央にオートフォーカスします。LCDスクリーンでフォーカスしたいエリアをタップして、オートフォーカスポイントを設定することも可能です。フォーカスボタンを2度押しすると、フォーカスポイントがリセットされ、中央に戻ります。

メモ 多くのレンズは電子フォーカスに対応していますが、マニュアルあるいはオートフォーカスモードに設定できるレンズもあります。その場合は、レンズがオートフォーカスモードになっていることを確認してください。

28 HFRボタン

HFR (高フレームレート) ボタンは、オフスピードフレームレートの切り替えに使用します。この機能を使用するには、「フレームレート (Frame Rate)」メニューで、使用したい「オフスピードフレームレート (OFF SPEED FRAME RATE)」を設定します。一度設定すると、HFRボタンを押すことで、選択したオフスピードフレームレートとプロジェクトフレームレートを切り替えられます。この設定を変更できるのは、収録を停止している時だけです。

プロジェクト/オフスピードフレームレートに関する詳細は、「タッチスクリーン・コントロール」セクションを参照してください。

29 フォーカスズームボタン

フォーカスズームボタンを押すと、ズームインして1:1ピクセルスケールでフォーカスを調整できます。ズームインしている時に、タッチスクリーンを指先でつまむとズームの倍率を調整できます。詳細は「つまんでズーム」セクションを参照してください。ズームインしている時は、スクリーンをタッチ&ドラッグしてイメージの異なる部分を確認できます。ズームアウトするには、再度フォーカスズームボタンを押します。

30 メニューボタン

メニューボタンを押すとダッシュボードが開きます。

31 再生ボタン

再生ボタンを押すと、再生モードに切り替わります。もう一度再生ボタンを押すと、最後に収録したクリップを、LCDやHDMI出力に接続したディスプレイで再生できます。

タッチスクリーン・コントロール

タッチスクリーンの機能

Blackmagic Pocket Cinema CameraのLCDタッチスクリーンは、すばやく直感的に操作できるように設計されたタッチ/ジェスチャーベースのインターフェースです。LCDタッチスクリーンの異なるエリアをタッチ/スワイプすることで、撮影中に様々なカメラ機能にすばやくアクセスできます。



BlackmagicカメラのLCDタッチスクリーンは、最も頻繁に使用するカメラの設定に簡単にアクセスできます。

LCDモニターオプション

タッチスクリーンの左上にあるモニターアイコンをタップすると、LCDモニター設定にアクセスできます。これらの設定では、ゼブラ、フォーカスアシスト、フレームガイド、グリッド、セーフエリアガイド、フォルスカラーなどのPocketカメラのモニタリング機能の表示を切り替え/調整できます。LCDモニター設定にアクセス中は、これらの機能のコントロールはLCDタッチスクリーンの下側にタブメニューとして表示されます。



LCDタッチスクリーンの左上にあるアイコンをタップするとLCDモニター設定にアクセス可能

ゼブラ

LCDタッチスクリーン上のゼブラ表示を切り替え、HDMI出力のゼブラレベルを設定できます。

ゼブラは、イメージ内で、設定した露出レベルを越えた箇所に斜線を表示します。例えば、ゼブラを100%に設定すると露出オーバーのエリアを表示します。この機能は、固定された照明条件で最適な露出を設定する際に役立ちます。



LCDモニターオプションでゼブラアイコンをタップしてゼブラ設定にアクセス

LCDタッチスクリーンでゼブラを切り替えるには、ゼブラタブでスクリーン左下のスイッチアイコンをタップします。

スライダーを左右にドラッグするか、あるいはゼブラレベル (%) の左右にある矢印ボタンをタップして、ゼブラが表示される露出レベルを設定します。ゼブラレベルは露出75~100%間で5%ずつ調整できます。

HDMI出力でのゼブラの使用に関する詳細は、このマニュアルの「モニター設定 (MONITOR)」セクションを参照してください。

作業のこつ 少し雲がかった日の屋外撮影など照明環境に変化がある場合は、ゼブラレベルを100未満に設定すると露出過多の注意が表示されることがあります。

フォーカスアシスト

LCDタッチスクリーンのフォーカスアシスト表示を切り替え、Blackmagic Pocket Cinema CameraのHDMI出力のフォーカスアシスト・レベルを設定できます。



LCDモニターオプションでフォーカスアシストアイコンをタップして、カメラのフォーカスアシスト設定にアクセスします。

LCDタッチスクリーンでフォーカスアシストを切り替えるには、フォーカスアシストタブで、スクリーン左下のスイッチアイコンをタップします。

カメラのHDMI出力のフォーカスアシスト・レベルを設定するには、タッチスクリーン底部の「低 (Low)」、「中 (Med)」、「高 (High)」をタップします。

フォーカスアシストの最適なレベルはショットごとに異なります。例えば人物にフォーカスを合わせる場合は、フォーカスアシストのレベルを上げることで顔のエッジのディテールを際立たせることができます。逆に草木やレンガなどのショットでは、フォーカスアシストを高く設定するとディテールが増えず、イメージの邪魔になる恐れがあります。

HDMI出力でのフォーカスアシストの使用に関する詳細は、このマニュアルの「モニター設定 (MONITOR)」セクションを参照してください。

作業のこつ Blackmagic Pocket Cinema Cameraには2種類のフォーカスアシストモードがあります。これらのモードは、「モニター (MONITOR)」設定メニューで「ピーク (Peak)」または「カラーライン (Colored Lines)」を選択して切り替えられます。詳細は、このマニュアルの「モニター設定 (MONITOR)」セクションを参照してください。

フレームガイド

フレームガイド設定は、LCDタッチスクリーンのフレームガイド表示を切り替えます。カメラのHDMI出力用にも、フレームガイドオプションを選択できます。

フレームガイドには、様々な映画、テレビ、オンライン規格のアスペクトレシオが含まれます。



LCDモニターオプションでフレームガイドアイコンをタップするとフレームガイド設定にアクセスできます。

LCDタッチスクリーンでフレームガイドの表示を切り替えるには、スクリーン左下のスイッチアイコンをタップします。

スライダーを左右にドラッグするか、現在選択されているアスペクトレシオの横の矢印ボタンをタップして、使用したいフレームガイドを選択します。また、フレームガイドのアスペクトレシオをマニュアルで入力したい場合は、左右の矢印の間に表示されているアスペクトレシオをタップします。

選択できるガイド：

2.35:1、2.39:1、2.40:1

フラット・ワイドスクリーンのアスペクトレシオを表示します。アナモルフィック、あるいはフラット・ワイドスクリーンシネマと互換。この3つのワイドスクリーン設定は、時間と共に変わるシネマ規格の変更に応じて若干異なっています。2.39:1は、今日最も多く使用されている規格です。



2.40:1フレームガイドを有効にしたLCDタッチスクリーン

2:1

幅は、16:9より少し広く、2.35:1ほど広くない比率です。

1.85:1

もう1つの一般的なフラット・ワイドスクリーンのシネマアスペクトレシオを表示します。この比率は、HDTV 1.78:1より若干幅広く、2.39:1ほど広くはありません。

16:9

1.78:1のアスペクトレシオを表示します。16:9 HDテレビおよびコンピュータースクリーンと互換。この比率は、HD放送やオンラインビデオで最も一般的に使用されています。同じアスペクトレシオがUltra HD放送にも使用されています。

14:9

14:9のアスペクトレシオを表示します。16:9と4:3の折衷として一部の放送局で使用されています。14:9に合わせてセンタークロップしても、16:9や4:3のフッターが使用可能な状態であることが理想的です。作成中のプロジェクトが14:9クロッピングを採用している放送局で使用されることが分かっている場合に、構図のガイドとして使用できます。

4:3

4:3のアスペクトレシオを表示します。SDテレビスクリーンと互換。2xアナモルフィックアダプターを使用している場合、フレーミングをサポート。

1:1

1:1のアスペクトレシオを表示。これは4:3より若干狭い比率です。この正方形のアスペクトレシオは、SNSで人気が高まっています。

4:5

4:5のアスペクトレシオを表示。この縦長のアスペクトレシオは、ポートレイトやスマートフォンでの視聴に適しています。

カスタムフレームガイド・レシオ

他にはない独自のフレームガイドの比率を作成するには、左右の矢印の間に表示されているアスペクトレシオをタップします。「カスタムフレームガイド (CUSTOM FRAME GUIDE)」画面で、バックスペースボタンをタップし、現在のアスペクトレシオを削除し、テンキーパッドで新しい比率を入力します。「アップデート (Update)」をタップして、カスタムフレームガイド・レシオを適用すると、その比率で撮影できるようになります。



「カスタムフレームガイド」画面でテンキーパッドを使用して、フレームガイドの新しいアスペクトレシオを入力

作業のこつ フレームガイドオーバーレイの不透明度は変更可能です。詳細は、このマニュアルの「モニター設定 (MONITOR)」セクションを参照してください。

メモ HDMI出力でのフレームガイドの使用に関する詳細は、このマニュアルの「モニター設定 (MONITOR)」セクションを参照してください。

グリッド

LCDタッチスクリーン上の3x3グリッド、水平メーター、十字線、ドットの表示を切り替え、HDMI出力で使用するオーバーレイを設定できます。



LCDモニターオプションでグリッドアイコンをタップしてグリッド設定にアクセス

グリッドおよび十字線はイメージの構図に役立つオーバーレイです。グリッドが有効になっている場合、LCDは3x3グリッド、水平、十字線、センタードットを表示します。

カメラのタッチスクリーンでグリッドの表示を切り替えるには、フレームガイドタブで、スクリーン左下のスイッチアイコンをタップします。

LCDとHDMI出力に表示したいオーバーレイを設定するには、「3x3グリッド (Thirds)」、「水平 (Horizon)」、「十字線 (Crosshair)」、「ドット (Dot)」のいずれかをタップします。水平、十字線、ドットは一度に一つずつ、3x3グリッドと組み合わせて使用できます。つまり、「3x3グリッド」と「水平」、「3x3グリッド」と「十字線」、「3x3グリッド」と「ドット」の組み合わせが可能です。



3x3グリッドのグリッドはスクリーンのフレームガイドに合わせて自動的に調整されます。

3x3グリッド (Thirds)

3x3グリッドは、縦横各2本のラインで画面を均等に3分割する3x3グリッドを表示します。3x3グリッドは、非常にパワフルなツールで、ショットの構成をサポートします。例えば、人間の目は一般的に、ラインが交差する付近で起こるアクションに注目するので、3x3グリッド設定は、これらのエリアに重要なポイントを配置する上で役立ちます。俳優の目は一般的にスクリーンの上から1/3のラインにフレーミングされるので、上の横ラインをフレーミングガイドとして使用できます。この設定は、複数のショット間でフレーミングの一貫性を保つのに役立ちます。

水平 (Horizon)




水平メーターは、カメラが上下左右に傾いているか確認できるインジケーターです。これは、ハンドヘルドでの撮影で水平が維持したり、ジンバルにマウントしたカメラの角度を調整する上で役立ちます。

薄いグレーの縦線が、中央の暗いグレーの十字線から離れると、カメラはその方向に傾いています。カメラが下向きに傾いていると、薄いグレーの横線が上に動きます。カメラが上向きに傾いていると、下に動きます。

中央にある十字線と薄いグレーの線の間の距離は、傾きの割合と比例しています。カメラのモーションセンサーをキャリブレーションした後、カメラが縦軸と並ぶと縦線がブルーに変わります。同様にカメラが横軸に並ぶと横線がブルーになります。

カメラが真上を向いていたり、頭上からのショットのためにカメラが真下を向いている場合、水平メーターはこれを考慮して機能します。カメラを回転させ縦長で撮影する場合、水平メーターは軸を90°傾けます。

以下の表は、カメラの傾き状態を示す、水平メーターの表示例です。

水平メーター	意味
	カメラは真っ直ぐで水平
	カメラは水平だが下に傾いている
	カメラは真っ直ぐだが左に傾いている
	カメラは上と右に傾いている

通常的使用方法では、水平メーターを真っ直ぐで水平になるようにキャリブレーションしてください。特定のダッチアングルや、上または下からのショットのために一定の傾きを維持するために水平メーターを使用したい場合は、カメラを傾斜させて水平メーターをキャリブレーションできます。水平メーターのキャリブレーションに関しては、「モーションセンサー・キャリブレーション (MOTION SENSOR CALIBRATION)」を参照してください。

十字線 (Crosshair)

十字線は、フレームの中央に十字線を配置します。これは3x3グリッドと同様に非常に便利な構図ツールで、ショットの被写体をフレームの中央に簡単に配置できます。カットが極めてすばやく切り替わるシーンなどの撮影に使用されます。視聴者の目をフレームの中央にフォーカスさせておくことで速いスピードの編集でもフォローしやすくなります。

ドット (Dot)

ドットは、フレームの中央にドットを配置します。これは十字線と同じような役割を果たしますが、オーバーレイが小さいので邪魔になりません。

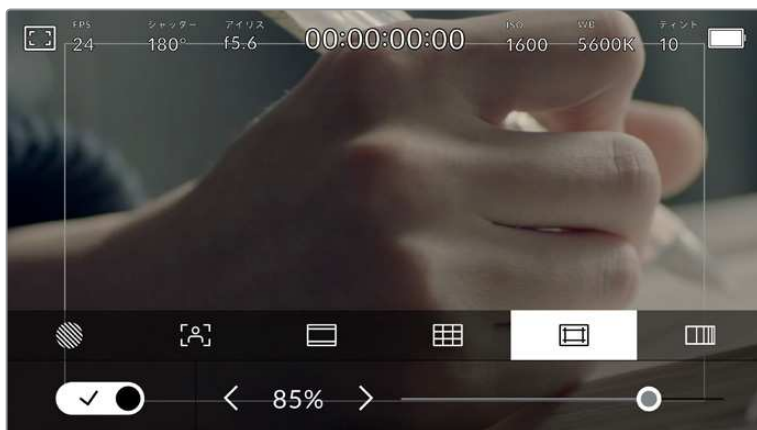
作業のこつ HDMI出力でのグリッドの使用に関する詳細は、このマニュアルの「モニター設定 (MONITOR)」セクションを参照してください。

セーフエリアガイド

LCDスクリーンのセーフエリアガイドのオン/オフを切り替え、HDMI出力で使用するセーフエリアガイドのサイズを設定できます。

セーフエリアは、放送プロダクションで、視聴者がショット内の最も重要な部分を見られるかどうかを確認するために使用します。ショット内の最も重要な部分を、中央の「セーフエリア」内に収めることで、テレビなどでクロッピングされることを防ぎます。またスクリーンの端にウォーターマークやニュースティッカー、その他のオーバーレイを追加するスペースを確保できます。多くの放送局は、タイトルやグラフィックなどの重要なコンテンツが90%セーフエリアに収まっている状態でフッターの納品を要望します。

また、ポストプロダクションでショットがスタビライズされ、イメージの端がクロップされることが事前に分かっている場合のショットのフレーミングに、セーフエリアガイドは役立ちます。またセーフエリアで特定のクロップを表示することもできます。例えば、Ultra HD 3840x2160の収録中にセーフエリアを50%に設定すると、1920x1080のフレームクロップがどのように見えるか確認できます。セーフエリアガイドは、フレームガイドに合わせて調整されます。つまり、選択したパーセンテージに応じて、ターゲットフレームの表示範囲が調整されます。



85%に設定したセーフエリア。

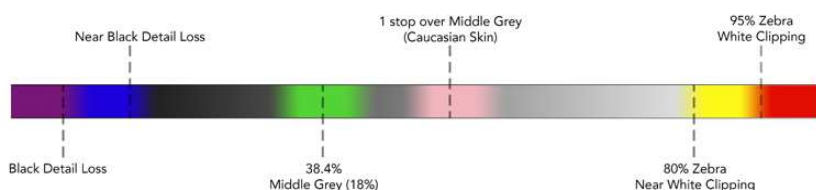
LCDタッチスクリーンでセーフエリアガイドを切り替えるには、セーフエリアガイドタブでスクリーン左下のスイッチアイコンをタップします。カメラのHDMI出力のセーフエリアガイドのレベルを設定するには、タッチスクリーン底部にある、現在の数値の横の矢印アイコンをタップします。あるいはスライダーを左右にドラッグして調整することもできます。

フォルスカラー

LCDタッチスクリーンのフォルスカラー露出アシスタントの表示を切り替えます。

フォルスカラー機能では、イメージ内のエレメントに応じて、異なる露出値を様々なカラーでオーバーレイします。例えば、白色人種の肌のトーンに最適な露出はピンク、暗めの肌トーンはグリーンで表示されます。人物を撮影する際は、ピンク/グリーンのフォルスカラーをモニタリングすることで、肌のトーンで一貫性のある露出を維持できます。

同様に、イメージ内のエレメントが黄色から赤に変わった場合は、露出過多になったことを意味しています。



フォルスカラーチャート

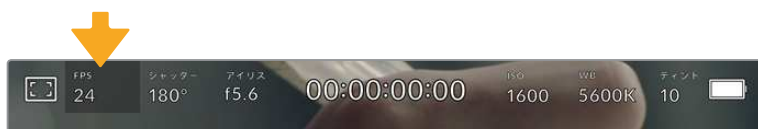
LCDタッチスクリーンでフォルスカラーを切り替えるには、フォルスカラータブでスクリーン左下のスイッチアイコンをタップします。



「フォルスカラー」露出アシスタントタブ

フレーム/秒 (FPS)

「FPS」インジケータは、現在選択しているフレーム/秒を表示します。



「FPS」インジケータをタップして、フレームレート設定にアクセス

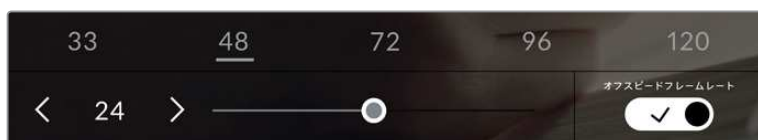
「FPS」インジケータをタップすると、LCDタッチスクリーン底部のメニューでカメラのセンサーおよびプロジェクトフレームレートを変更できます。

プロジェクトフレームレート (PROJECT FRAME RATE)

プロジェクトフレームレートは、カメラの収録フォーマットのフレームレートで、映画/テレビ業界で一般的に使用されているフレームレートを選択できます。通常、このフレームレートは、ポストプロダクションのワークフローに合わせて設定します。

23.98、24、25、29.97、30、50、59.94、60fpsの、8つのプロジェクトフレームレート設定に対応しています。

「FPS」メニューでカメラのプロジェクトフレームレートを調整するには、タッチスクリーンの左下にある現在のフレームレートの横の矢印ボタンをタップします。あるいはスライダーを左右にドラッグして調整することもできます。



プロジェクトフレームレートの横の矢印をタップ、あるいはスライダーを動かして調整。

作業のこつ Blackmagic Pocket Cinema Cameraのプロジェクトフレームレートは、HDMI出力にも適用されます。

センサーフレームレート

センサーフレームレートは、1秒間にセンサーから収録する実際のフレーム数を設定します。このフレームレートは、設定したプロジェクトフレームレートでビデオを再生する際の再生速度に影響します。



「オフスピードフレームレート (OFF SPEED FRAME RATE)」を有効にして、センサーフレームレートの横の矢印またはプリセットをタップ、あるいはスライダーを動かして調整。

デフォルトでは、プロジェクトフレームレートとセンサーフレームレートは、自然な再生速度では一致するようになっています。しかし、カメラの「FPS」メニューの右下にある「オフスピードフレームレート (OFF SPEED FRAME RATE)」スイッチアイコンをタップすると、センサーフレームレートを個別に設定できます。

センサーフレームレートを変更するには、タッチスクリーンの左下にあるセンサーフレームレートインジケータの横の矢印をタップします。スライダーを左右にドラッグしてフレームレートを変更することも可能です。スライダーをリリースするとセンサーフレームレートが選択されます。スライダーの上には、一般的に使われているオフスピードフレームレートのオプションが表示されるので、これをタップして選択することも可能です。これらのオプションは、現在のプロジェクトフレームレートに基づいています。

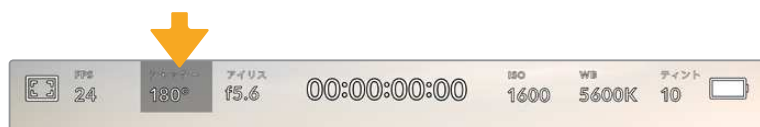
センサーフレームレートを変更することで、ダイナミックかつ視聴者の興味を引くようなスピードエフェクトを作成できます。センサーフレームレートをプロジェクトフレームよりも高く設定すると、再生した際にスローモーションの効果が得られます。例えば、センサーフレームレート60fpsで撮影し、プロジェクトフレームレート24fpsで再生すると、実際のスピードを40%まで下げたスローモーション効果が得られます。反対に、センサーフレームレートを低く設定すると、ファストモーションの効果が得られます。これは、フィルムカメラのオーバー crank/アンダー crank撮影と同様の原理です。オーバー crank撮影はセンサーフレームレートを上げるので、再生時にスローモーションとなり、感情を引き立てる効果を得られます。アンダー crank撮影はセンサーフレームレートを下げるので、動きの速いシーンでアクションをスピードアップできます。無限のクリエイティビティの使い道はユーザー次第です！

各収録フォーマットおよびコーデックで使用できる最大フレームレートに関しては、このマニュアルの「収録」セクションにある表を参照してください。

メモ 「オフスピードフレームレート (OFF SPEED FRAME RATE)」を選択すると、オーディオとビデオの同期が解除されます。これは、プロジェクトフレームレートおよびセンサーフレームレートが同じ設定の場合でも同様です。この理由から、オーディオの同期を絶対に維持したい場合、「オフスピードフレームレート (OFF SPEED FRAME RATE)」の選択は避けてください。

シャッター (SHUTTER)

「シャッター (SHUTTER)」インジケータは、シャッターアングル/シャッタースピードを表示します。このインジケータをタップすると、カメラのシャッターの値をマニュアルで変更したり、シャッターの自動露出モードを設定できます。「シャッター表示 (SHUTTER MEASUREMENT)」設定で、シャッター情報の表示方法を「アングル (Shutter Angle)」と「スピード (Shutter Speed)」で切り替えられます。詳細は、このマニュアルの「セットアップ設定 (SETUP)」セクションを参照してください。



「シャッター (SHUTTER)」インジケータをタップして、シャッター設定にアクセス

シャッターアングル/シャッタースピードはビデオのモーションブラーのレベルを決定します。また、照明条件の変動を補うためにも使用できます。多くの場合、適度なモーションブラーを得るのに最適なシャッターアングルは180°です。これは、シャッタースピードでは1/50秒です。しかし、照明条件が変更したり、シーン内の動きが増えたりする場合には調整が必要です。

例えば、シャッターアングル360°は露光が最大限で、センサーへの光量が最大となります。これは、低照明条件でシーン中の動きがわずかな場合の撮影に最適です。あるいは、動きの多いシーンの撮影には、90°などの狭いシャッターアングルにすると、モーションブラーを最低限に抑えたシャープでくっきりした画像が得られます。シャッターアングルに対する同等のシャッタースピードは、使用しているフレームレートにより異なります。

例えば、25fpsでの撮影では、360°は1/25秒、90°は1/100秒と同等になります。

メモ 照明の下で撮影する際は、シャッターが原因でフリッカーが生じる場合があります。Blackmagic Pocket Cinema Cameraは、現在のフレームレートでフリッカーが生じないシャッターの値を自動的に算出します。シャッターの調整中、タッチスクリーン底部に、フリッカーが生じないシャッターの値の選択肢が最大3つ表示されます。これらのシャッターの値は、それぞれの国や地域で電源に使用される電力周波数によって異なります。電力周波数は、カメラの「セットアップ (SETUP)」メニューで50Hzまたは60Hzに設定できます。詳細は、このマニュアルの「セットアップ設定 (SETUP)」セクションを参照してください。

「シャッター (SHUTTER)」インジケータをタップするとタッチスクリーン底部にシャッターの値が表示されます。「自動露出 (AUTO EXPOSURE)」がオフの場合、現在選択しているシャッターの値、そしてカメラのセットアップ (SETUP) メニューで選択した主電源周波数に基づいた、フリッカーの生じないシャッターの値の選択肢がスクリーンに表示されます。詳細は、このマニュアルの「セットアップ設定 (SETUP)」セクションを参照してください。

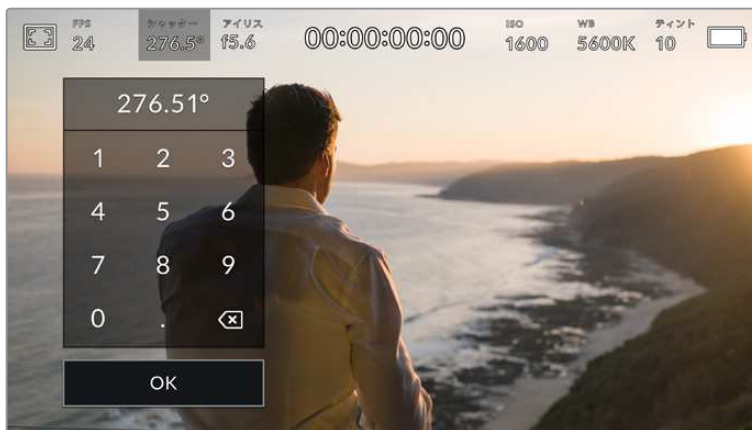
メモ フリッカーの生じない値を使用しているにも関わらず、様々な照明の特性によりフリッカーが生じてしまう場合があります。連続光を使用していない場合は、常にテスト撮影を行うことをお勧めします。

フリッカーの生じないシャッターの値を選択するには、表示されているシャッターの値のいずれかをタップします。現在のシャッターの値の左右にある矢印を使用すると、一般的に使用されている値の中から選択できます。



カメラは、セットアップ (SETUP) メニューで選択した主電源周波数に基づいた、フリッカーの生じないシャッターの値を提案。

野外での撮影、あるいはフリッカーの生じない照明を使用している場合、スクリーンの左下にある現在のシャッターインジケータをダブルタップすると、シャッターの値をマニュアルで選択できます。シャッターアングルが選択されると、キーパッドが表示されるので5°~360°間でシャッターアングルを設定できます。



野外での撮影時、またはフリッカーの生じない照明下での撮影時に、マニュアル設定用のキーパッドを使ってシャッターアングルを入力。

Blackmagic Pocket Cinema Cameraには3種類のシャッターベースの自動露出モードがあります。これらを選択するには、シャッターメニューの一番右にある「自動露出 (AUTO EXPOSURE)」ボタンをタップします。

シャッター (Shutter)

アパーチャーを維持したまま、露出を一定に保つためにシャッターの値を自動調整します。固定の被写界深度を維持したい場合に選択してください。シャッターを自動調整すると、モーションブラーに影響がある場合があります。屋内撮影で使用する様々な照明器具によってフリッカーが生じる場合があるので注意してください。自動露出に「Shutter」を選択すると、自動アイリス機能は使用できません。

シャッター+アイリス (Shutter + Iris)

シャッター、次にアパーチャーを調整して適切な露出レベルを維持します。シャッターの値が最大値/最小値になっても露出が維持できない場合、カメラはアパーチャーを調整して露出を一定に保ちます。

アイリス+シャッター (Iris + Shutter)

アパーチャー、次にシャッターの値を調整して適切な露出レベルを維持します。アパーチャーが最大値/最小値になっても露出が維持できない場合、カメラはシャッターの値を調整して露出を一定に保ちます。

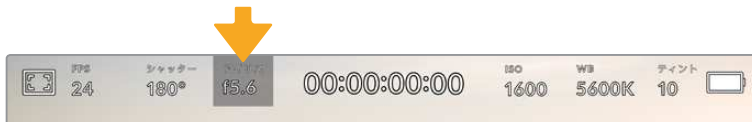


「シャッター (SHUTTER)」メニューで「自動露出 (AUTO EXPOSURE)」をタップしてシャッターベースの自動露出モードにアクセス。

作業のこつ シャッター/アイリスに影響する自動露出モードを有効にすると、LCDタッチスクリーンの上部にあるシャッター/アイリスインジケータの隣に小さな「A」が表示されます。

アイリス (IRIS)

「アイリス (IRIS)」インジケータは、現在のレンズアパーチャーを表示します。このインジケータをタップすると、互換性のあるレンズのアパーチャーを変更したり、アイリスベースの自動露出モードを設定できます。



「アイリス (IRIS)」インジケータをタップしてアイリス設定にアクセス

メモ アイリスをLCDタッチスクリーンで調整するには、カメラ経由でアパーチャーを変更できるレンズがBlackmagic Pocket Cinema Cameraに装着されている必要があります。

「アイリス (IRIS)」インジケータをタップすると、タッチスクリーン底部にアイリスメニューが表示されます。メニューの一番左で現在のレンズアパーチャーを確認できます。現在のアパーチャーの横の矢印ボタンをタップするか、スライダーを左右にドラッグして、アパーチャーを変更します。



「アイリス (IRIS)」メニューでアイリスインジケータの横の矢印ボタンをタップ、あるいはスライダーを使ってアイリス設定を調整。

「アイリス (IRIS)」メニューの一番右にある「自動露出 (AUTO EXPOSURE)」スイッチアイコンをタップすると、アイリス自動露出メニューが開きます。

以下の自動露出オプションが選択できます。

アイリス (Iris)

シャッターアングルを維持したまま、露出を一定に保つためにアパーチャーを自動調整します。モーションブラーは影響を受けませんが、被写界深度に影響がある場合があります。

アイリス+シャッター (Iris + Shutter)

アパーチャー、次にシャッターの値を調整して適切な露出レベルを維持します。アパーチャーが最大値/最小値になっても露出が維持できない場合、カメラはシャッターの値を調整して露出を一定に保ちます。

シャッター+アイリス (Shutter + Iris)

シャッター、次にアパーチャーを調整して適切な露出レベルを維持します。シャッターの値が最大値/最小値になっても露出が維持できない場合、カメラはアパーチャーを調整して露出を一定に保ちます。



「アイリス (IRIS)」メニューで「自動露出 (AUTO EXPOSURE)」をタップしてアイリスベースの自動露出モードにアクセス。

作業のこつ アイリス/シャッターに影響する自動露出モードを有効にすると、LCDタッチスクリーンの上部にあるアイリス/シャッターインジケータの隣に小さな「A」が表示されます。

継続時間表示

カメラのLCDタッチスクリーンの上部で、カメラの継続時間表示を確認できます。



収録中は、カメラの継続時間表示が赤くなります。

継続時間表示は、タイムコードカウンターを表示するので、クリップの長さの確認や、収録/再生中にタイムコードのモニタリングが可能です。カウンターは経過時間を、時間：分：秒：フレーム数で表示します。これは、クリップの収録/撮影に合わせて変わります。収録中、タイムコードは赤くなります。

継続時間表示は、最初のクリップは00:00:00:00から開始します。現在のクリップまたは最後に収録したクリップの継続時間は、タッチスクリーンに表示されます。時刻タイムコードは、ポストプロダクションで使用できるようにクリップにエンベッドされます。

タイムコードを確認するには、継続時間表示をタップします。継続時間表示を再びタップするとクリップの継続時間表示に戻ります。

継続時間表示の周りに表示されるステータスインジケータ

W	Blackmagic Pocket Cinema Cameraをウィンドウセンサーモードで使用している場合、継続時間表示の左に表示されます。
TC	タイムコードを表示している場合、継続時間表示の右に表示されます。
EXT	有効な外部LTCタイムコードが3.5mmステレオ入力ジャックに接続されている場合、継続時間表示の右に表示されます。
INT	内部タイムコードがジャムシンクされて接続が切れた場合、継続時間表示の右に表示されます。

ISO

「ISO」インジケータは、現在のISO設定または光感度を表示します。このインジケータをタップすると、様々な照明条件に適合するようISOを調整できます。



ISOインジケータをタップしてISO設定にアクセス



ISOメニューでは、カメラのLCDタッチスクリーン底部にISO設定が表示されます。プリセットの下のスライダーで、ISOを1/3段単位で調整できます。

状況に応じて、ISOは高い/低い設定に変更できます。例えば、低照明条件ではISO 25,600が適していますが、ノイズが発生することもあります。照明量が多く明るい場合は、ISO 100に設定すると、よりリッチなカラーが得られます。

デュアルネイティブISO

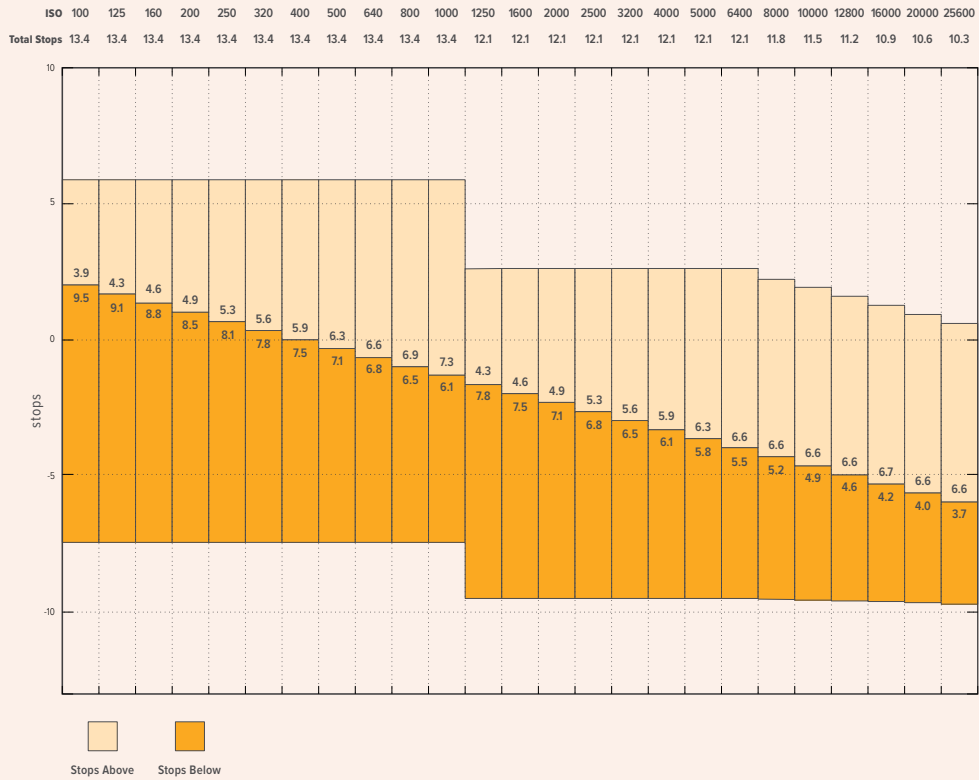
Blackmagic Pocket Cinema CameraのデュアルネイティブISOは、400と3,200です。つまり、低照明条件での撮影と、明るい陽の光の下での撮影の両方に対応できるようにセンサーが最適化されます。

照明条件に合わせてISOを調整してください。デュアルネイティブISOがバックグラウンドで起動し、高い/低いISO設定でもフタージがクリーンで最低限のノイズになるようにします。

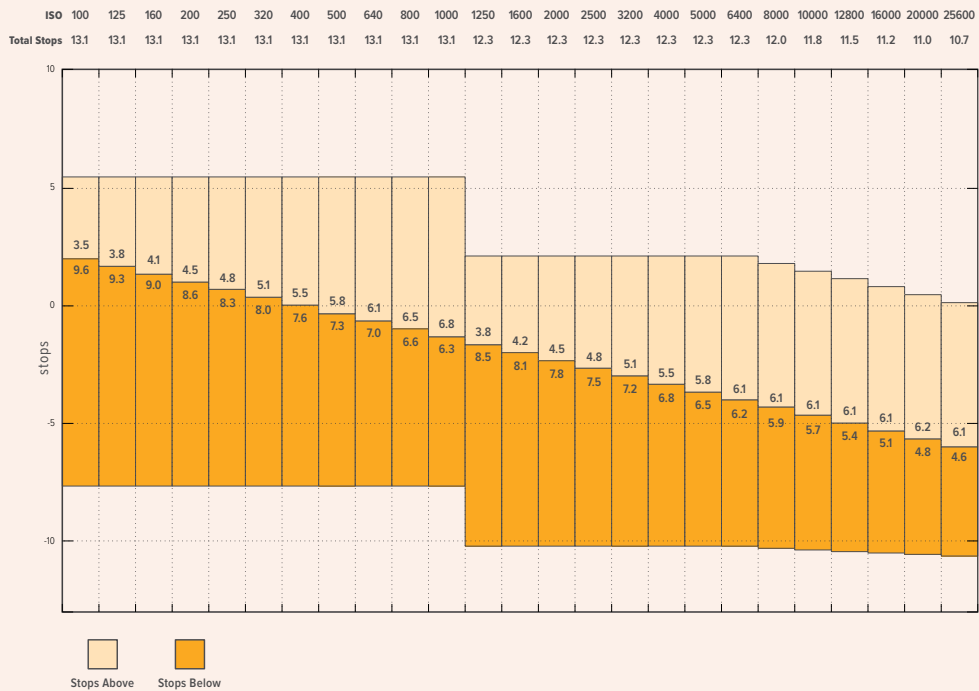
ISO設定が100~1,000の場合、ネイティブISO 400が参照ポイントとして使用されます。ISO設定が1,250~25,600の場合、ネイティブISO 3,200が参照ポイントとして使用されます。ISOを1,000または1,250のどちらでも使用できる撮影条件の場合、レンズのアイリスの絞り値を1段小さくすることを推奨します。これにより、ISO 1,250を選択できるため、高いネイティブISOが適用され、よりクリーンなイメージが得られます。

以下の表は、ISOとダイナミックレンジの関係を示しています。

Blackmagic Pocket Cinema Camera 6Kのダイナミックレンジ

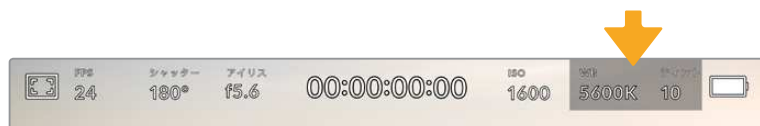


Blackmagic Pocket Cinema Camera 4Kのダイナミックレンジ



ホワイトバランス (WB)

「ホワイトバランス (WB)」および「ティント (TINT)」インジケータは、カメラの現在のホワイトバランスとティントを表示します。これらのインジケータをタップすると、様々な照明条件に適合するようカメラのホワイトバランスおよびティントを調整できます。



「WB」および「ティント (TINT)」インジケータをタップしてそれぞれのインジケータにアクセス。

すべての光源は色を放射しています。例えば、ロウソクの炎は暖色を、曇り空は寒色を放射しています。ホワイトバランス設定は、イメージのオレンジとブルーのミックスを調整することで、イメージのカラーバランスを調整し、ホワイトをホワイトとして維持します。例えば、暖かいオレンジの光を放射するタングステンライトの照明で撮影する場合、3200Kを選択すると、イメージに青味がかかります。これによりカラーバランスが取れ、ホワイトは正確に記録されます。

Blackmagic Pocket Cinema Cameraでは、様々な色温度条件に合わせて、ホワイトバランスのプリセットが用意されています。以下のオプションから選択できます。

	明るい太陽光	(5600K)
	白熱電球	(3200K)
	蛍光灯	(4000K)
	混合照明	(4500K)
	曇り	(6500K)

「WB」メニューの左下にある温度インジケータの横の矢印アイコンをタップ/長押しすることでこれらのプリセットをカスタマイズできます。1度のタップで色温度が50Kずつアップ/ダウンしますが、矢印アイコンを長押しすると、すばやい変更が可能です。また、「WB」メニューの中央にある温度スライダーを動かして調整することもできます。

さらにイメージの調整が必要な場合は、「ティント (TINT)」を調整します。「ティント (TINT)」は、イメージ内のグリーンとマゼンタのミックスを調整します。例えば、少量のマゼンタを加えることで、多くの蛍光灯に見られるグリーンの色味を相殺できます。カメラのホワイトバランスプリセットの多くには、ティントが含まれています。



「WB」または「ティント (TINT)」インジケータをタップして、5つのプリセット、ホワイトバランスインジケータおよびスライダー (左)、ティントインジケータ (右) にアクセス。これらを調整して、各照明条件にあったホワイトバランスをカスタム設定。

「WB」メニューでは、スクリーンの右下にカメラの現在のティント設定が表示されます。ティントを調整するには、ティントインジケータの左右にある矢印をタップ/長押しします。-50~+50の幅で1段ずつ調整できます。矢印を長押しするとすばやく調整できます。

メモ ホワイトバランスまたはティントを変更すると、プリセットが「カスタムホワイトバランス (CWB)」に変更されます。カスタムホワイトバランスは持続性のある設定で、電源を切って再起動したり、他のプリセットに変更してからCWBに戻した場合でも設定が保持されます。これにより、カスタムホワイトバランスと最後に使用したプリセットとの比較が簡単です。

自動ホワイトバランス (AWB)

Blackmagic Pocket Cinema Cameraは、ホワイトバランスを自動設定できます。「自動ホワイトバランス (AWB)」をタップするとホワイトバランス画面が表示されます。

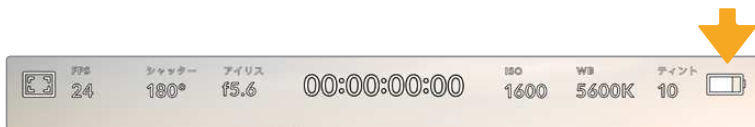
ホワイトバランスを自動設定する際、イメージの中央に四角い枠がオーバーレイされます。この枠内に、白やグレーのカードなど表面がニュートラルなものを写し、「WBを更新 (Update WB)」をタップします。カメラは、枠内のホワイト/グレーの平均が可能な限りニュートラルになるように、ホワイトバランスとティントを自動的に調整します。1度アップデートしたら、カメラのカスタムホワイトバランスとして設定されます。また、カメラ上部の「WB」ボタンを3秒間長押しすることでも、自動ホワイトバランスが選択され、「WBを更新 (Update WB)」機能がオンになります。



「WB」メニューで「自動ホワイトバランス (AWB)」アイコンをタップしてホワイトバランス画面を表示。表面が白やグレーのニュートラルなものを使用し、ニュートラルなホワイトバランスを自動設定します。

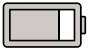
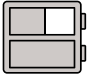
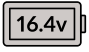
電源

カメラの電源ソースおよび電源状況は、LCDスクリーンの右上に表示されます。



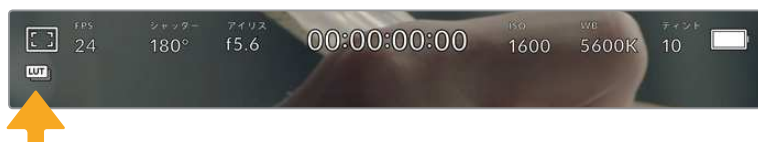
バッテリー電源を使用している場合、電源インジケータをタップすると表示が切り替わります。

	AC	カメラが主電源に接続されている場合に表示されます。
	AC/充電マーク	カメラが主電源に接続され、取り外し可能なLP-E6バッテリー、あるいはBlackmagic Pocket Camera Battery GripのNP-F570バッテリーを充電している場合に表示されます。
	パーセンテージ	バッテリーがパーセンテージ表示に対応している場合、バッテリーアイコンは、バッテリー残量を1%単位のパーセンテージで表示します。残り20%を切るとバッテリーバーは赤くなります。パーセンテージ表示のオン/オフは、バッテリーアイコンをタップして切り替えます。

	バッテリーバー	カメラに搭載したバッテリーの残量を、バッテリーアイコンで25%単位で表示します。残り20%を切るとバッテリーバーは赤くなります。
	Battery Gripバー	カメラにBlackmagic Pocket Camera Battery Gripを取り付けている場合、両方のバッテリーの残量が表示されます。
	電源ソースの ボルテージ表示	バッテリーのボルテージ、またはプラグパック、Dタップ・アダプターケーブル、カスタムパワーソリューションからDC電源ジャックを介して供給される電源のボルテージを表示します。ボルテージ表示のオン/オフは、バッテリーアイコンをタップして切り替えます。

LUTインジケータ

オンセットでLUTをプレビューツールとして使用している場合、スクリーンの左上にLUTアイコンが表示され、現在LUTが有効になっていることを示します。



ヒストグラム

カメラのタッチスクリーンの左下にはヒストグラムが表示されます。ヒストグラムは、ホワイトとブラック間のコントラストを横方向に表示します。



ヒストグラムは、クリップのシャドウとハイライトの間のトーンレンジの指標となります。露出のバランスを確認するのに役立つツールで、ハイライト部分がクリッピングされることを防ぎます。

ヒストグラム表示の左側はシャドウ（ブラック）で、右側はハイライト（ホワイト）です。レンズアパーチャーを開閉すると、ヒストグラム上の情報が左右に動きます。これを用いて、イメージのシャドウ/ハイライトのクリッピングをチェックできます。ヒストグラムの左右の端がなだらかに下降せず、急に途切れているのであれば、ハイライトあるいはシャドウのディテールが損なわれています。

メモ タッチスクリーンの左下にヒストグラムが表示されない場合は、LCDモニターが「コーデックと解像度 (Codec and Resolution)」に設定されている場合があります。詳細は、このマニュアルの「モニター設定 (MONITOR)」セクションを参照してください。

録画ボタン

Pocket Cinema Cameraのタッチスクリーンの底部、ヒストグラムの隣に丸いグレーのボタンがあります。これは録画ボタンです。このボタンを1度タップすると収録が開始され、もう1度タップすると停止します。収録中、このボタンとストレージインジケータ、そしてPocket Cinema Cameraのタッチスクリーンの上にあるタイムコードは赤くなります。



録画ボタンは、LCDタッチスクリーン底部のストレージインジケータの横にあります。



収録中、録画ボタンは赤くなります。

クリップにLUTを適用

「収録 (RECORD)」設定タブで、収録したクリップにLUTを適用するように選択している場合、スタンバイ状態および収録中にタッチスクリーンにアイコンが表示されます。



選択したLUTがクリップと共に収録されることを示すLUTアイコン。



LUTアイコンは、選択したLUTがクリップと共に収録されている場合に表示されます。

コマ落ちインジケータ

収録中にカメラでコマ落ちが発生すると、録画ボタンに「！」インジケータが点滅してオーバーレイされ、影響を受けたカードの録画可能時間インジケータが赤くなります。例えば、CFastカードでコマ落ちが発生すると「！」インジケータが録画ボタンの上に表示され、CFastカードの録画可能時間インジケータが赤くなります。この機能により、特定のカードの速度が、現在選択しているコーデックと解像度用には遅すぎることが分かります。コマ落ちインジケータは、事前に収録したクリップにコマ落ちがあった場合にも表示されます。次のクリップを収録するか、カメラを再起動するまでインジケータは表示され続けます。コマ落ちを避ける方法については、「CFast 2.0カードの選択」および「SDカードの選択」セクションを参照してください。



CFastカードでコマ落ちが発生した場合のコマ落ちインジケータ。

メモ Blackmagic Pocket Cinema Cameraは、使用できないフッターを収録しないよう、コマ落ちを検出したら収録を停止するように設定できます。詳細は、このマニュアルの「収録設定 (RECORD)」セクションを参照してください。

録画可能時間

カメラにCFastカード/SDカードを挿入、あるいはUSB-Cフラッシュディスクを接続している場合、タッチスクリーン底部のストレージインジケータに、カードやUSB-Cフラッシュディスクの録画可能時間が表示されます。録画可能時間は分で表示され、選択したフレームレートやコーデックにより変わります。これらの設定を変更した場合、インジケータは自動的に録画可能時間を計算し直します。カード/ドライブの録画可能時間がおよそ5分になると、インジケータの文字が赤くなり、残り2分を切ると点滅します。カードやドライブの容量が一杯になると「フル (FULL)」と表示されます。



ストレージインジケータは、CFastカード/SDカード/USB-Cフラッシュディスクの名前、録画可能時間 (分) を表示。

カード/ドライブ名は、録画可能時間の上にある小さなバーに表示されます。選択したメディアタイプの上のバーが青くなり、該当のカード/USB-Cフラッシュディスクに収録可能になったことを示します。別のカードやドライブに収録する場合は、収録したいカード/USB-Cフラッシュディスクの名前を長押しします。収録中、このバーは赤くなります。

ストレージインジケータをタップすると、ストレージおよびフォーマットメニューが開きます。



LCDタッチスクリーンのストレージインジケータをタップしてストレージ管理へアクセス。

このメニューは、現在カメラが使用しているCFastカード/SDカード/USB-Cフラッシュディスクの残り容量、カードやドライブ名、最後のクリップの長さ、クリップの総数、各カード/ドライブのファイルフォーマットを表示します。

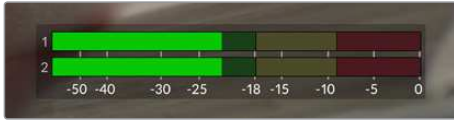
このメニューからメディアのフォーマットが行えます。詳細は、このマニュアルの「撮影用にメディアを準備する」セクションを参照してください。

作業のこつ ストレージメニューでカード/ドライブ名をタップして、アクティブなカード/ドライブとして設定できます。Blackmagic Pocket Cinema Cameraは、タップしたカード/ドライブを最初に使用します。

オーディオメーター

ピークオーディオメーターは、内部マイクを使用している場合はチャンネル1と2、外部オーディオを接続している場合は外部オーディオのオーディオレベルを表示します。単位はdBFSで表示され、ピークホールド・インジケータはしばらく表示されるので、最大レベルに達したことがはっきりと確認できます。

最適な音質を実現するには、オーディオレベルが0dBFSを越えないようにしてください。0dBFSはカメラが収録可能な最高のレベルなので、これを超えるオーディオはクリップされ、歪みの原因となります。



オーディオメーターのカラーバーは、ピークオーディオレベルを表示します。ピークオーディオレベルが緑色のゾーン内の上限に近い位置に収まるのが理想的です。ピークレベルがイエローまたはレッドのゾーンになる場合は、オーディオクリッピングが生じる可能性があります。

オーディオメーターをタップすると、オーディオ入力チャンネル1と2、そしてヘッドセット/スピーカーのボリュームコントロールを表示できます。



LCDタッチスクリーンでオーディオメーターをタップし、ボリュームおよびヘッドセット/スピーカー設定に簡単にアクセス。

ダブルタップしてズーム

LCDタッチスクリーンをダブルタップすると、Blackmagic Pocket Cinema Cameraのプレビューイメージのあらゆる部分を拡大できます。タップしたエリアが拡大され、LCDタッチスクリーンを指でドラッグしてイメージを動かすことができます。この機能はフォーカスを確認する際に役立ちます。画面を元に戻すには、カメラのタッチスクリーンを再度ダブルタップします。

つまんでズーム

LCDタッチスクリーンのズームレベルは、指先でつまんで調整できます。この操作は、HDMI出力には影響しません。

2倍からズームするには、タッチスクリーンをダブルタップするか、カメラ背面のフォーカスズームボタンを押します。次にタッチスクリーンを指先でつまむとズームの倍率が変わります。LCDタッチスクリーンを指でドラッグして、拡大されたエリアを動かすことができます。元の倍率に戻すには、再びタッチスクリーンをダブルタップするか、もう一度フォーカスズームボタンを押します。

タッチスクリーンをダブルタップするか、フォーカスズームボタンを押すと、前回の倍率とズームなし表示を切り替えます。例えば、画面をつまんで8倍に拡大し、ダブルタップしてズームを解除し、再度ダブルタップすると8倍に再び拡大されます。

タッチフォーカス

LCDスクリーンでフォーカスしたい領域をタップ&ホールドすると、レンズをイメージ内のあらゆる領域にフォーカスできます。フォーカスボタンを押して、任意の場所にレンズをフォーカスします。フォーカスボタンを2度押しすると、フォーカスポイントがリセットされ、中央に戻ります。

フルスクリーンモード

タッチスクリーンのステータステキストやメーターを一時的に非表示にするので、ショットのフレーミングやフォーカス合わせの際に便利です。これらすべてを一度に隠すには、LCDタッチスクリーンを上または下にスワイプします。収録インジケータ、フレームガイド、グリッド、フォーカスアシスト、ゼブラ表示は残ります。

ステータステキストやメーターを再度表示するには、上または下にスワイプします。



LCDタッチスクリーンで上または下にスワイプして、すべてのステータスインジケータを非表示。

再生メニュー

再生コントロールボタンをタップして再生メニューにアクセスします。カメラのコントロールボタン、あるいはLCDタッチスクリーンを使用して事前に収録したクリップをコントロールできます。

LCDタッチスクリーンを使用している場合、再生ボタンを1度押すと再生を開始し、再び押すと一時停止します。早送り/巻き戻しボタンを使ってクリップの最初/最後に飛びます。早送りボタンをタップすると、次のクリップに飛びます。巻き戻しボタンを1回押すと、現在のクリップの頭に戻り、2回押すと前のクリップの頭に戻ります。ループアイコンを有効にすることで、クリップの再生をループさせることもできます。



巻き戻し、再生、早送りボタン、ループアイコン

早送り/巻き戻しボタンを長押しすると早送り/巻き戻しできます。これは、フッターを通常の2倍速で早送り/巻き戻します。

倍速の早送り/巻き戻し中に、トランスポートキーをタップすると倍速レートを変更できます。同じ方向のトランスポートキーをタップするごとにレートが2倍になります。最大倍速レートは、通常速度の16倍です。16倍速の早送り/巻き戻し中にもう1度トランスポートキーをタップすると2倍速に戻ります。反対方向のキーをタップするごとに半分に減速し、最終的に2倍速になります。再生ボタンをタップすると、通常の再生速度に戻ります。



シャトルスピードインジケータは、早送り/巻き戻し中のフッターの速度および方向を表示。

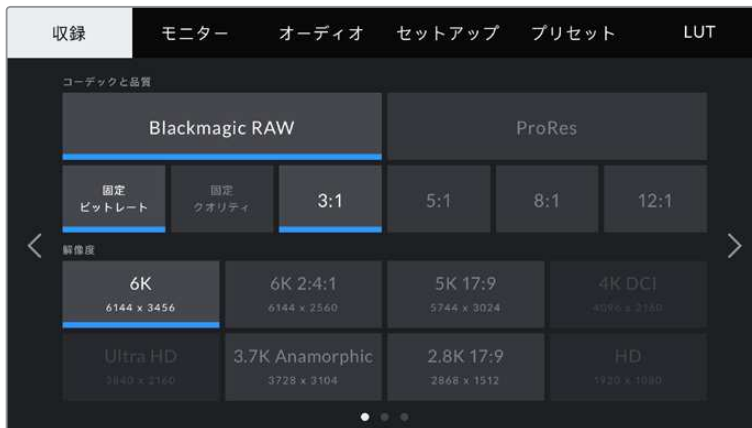
生モードで録画コントロールボタンをタップすると、カメラがスタンバイモードになり、収録が可能な状態になります。

作業のこつ タッチスクリーンを上下にスワイプして、フッターを再生しながらステータステキストを非表示にできます。再生モードでスレートを入力すると、現在のクリップを「グッドテイク (GOOD TAKE)」としてメタデータに記録できます。詳細は「メタデータ入力」セクションを参照してください。

設定

ダッシュボード

メニューボタンを押すとカメラのダッシュボードが開きます。このタブ分けされたメニューには、タッチスクリーンからはアクセスできない設定があります。設定は、機能ごとに「収録 (RECORD)」、「モニター (MONITOR)」、「オーディオ (AUDIO)」、「セットアップ (SETUP)」、「プリセット (PRESETS)」、「ルックアップテーブル (LUTS)」タブに分かれています。各タブには複数のページが含まれており、カメラのタッチスクリーンの端にある矢印をタップするか左右にスワイプすることで切り替えられます。



「収録 (RECORD)」、「モニター (MONITOR)」、「オーディオ (AUDIO)」、「セットアップ (SETUP)」、「プリセット (PRESETS)」、「ルックアップテーブル (LUTS)」のヘディングをタップしてPocket Cinema Cameraのダッシュボードタブを移動。

収録設定 (RECORD)

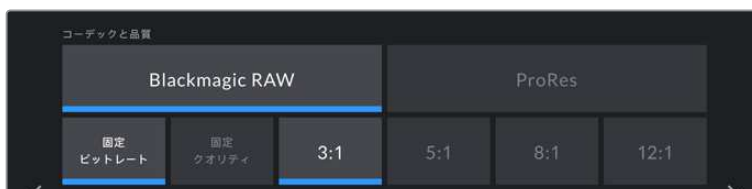
「収録 (RECORD)」タブは、ビデオフォーマット、コーデック、解像度の設定に加え、ダイナミックレンジやディテールのシャープニングなど、収録するフッターに重要なその他の設定も調整できます。

収録設定 1

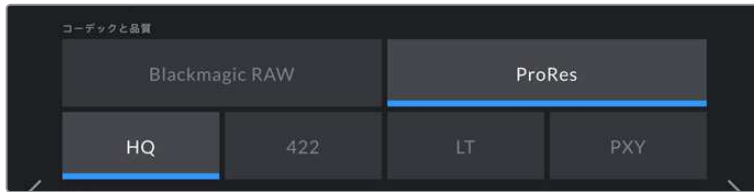
「収録 (RECORD)」設定タブの最初のページには以下の設定が含まれます。

コーデックと品質 (CODEC AND QUALITY)

「コーデックと品質 (CODEC AND QUALITY)」メニューは2段に分かれています。上の段では、Blackmagic RAWまたはApple ProResの2つのコーデックから選択でき、下の段ではこれらのコーデックの品質オプションを選択できます。例えば、ProResコーデックで使用できる品質オプションは、ProRes 422 HQ、ProRes 422、ProRes 422 LT、ProRes 422 Proxyです。Blackmagic RAWには、4種類の「固定ビットレート (Constant Bitrate)」の設定と2種類の「固定クオリティ (Constant Quality)」の設定があります。



「コーデックと品質 (CODEC AND QUALITY)」のBlackmagic RAWのオプション



「コーデックと品質 (CODEC AND QUALITY)」のProResのオプション

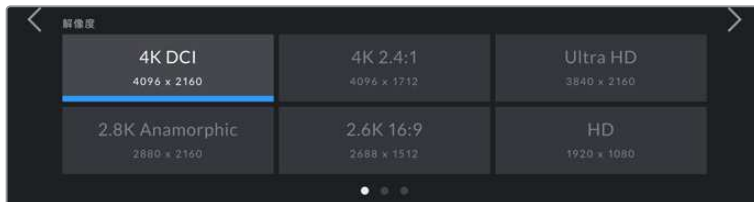
作業のこつ 圧縮率の高いコーデックを選択すると、Blackmagic Pocket Cinema Cameraのストレージメディアにビデオを収録できる時間が長くなります。詳細は、「収録」セクションの「収録時間一覧」の表を参照してください。

解像度 (RESOLUTION)

この設定は、コーデック設定と連動しています。使用したい収録フォーマットに応じて解像度を選択してください。例えば、ProRes HQを使ってUltra HDクリップを収録したい場合、「コーデックと品質 (CODEC AND QUALITY)」メニューで「ProRes」と「HQ」を選択します。その後、解像度メニューで「Ultra HD」を選択します。



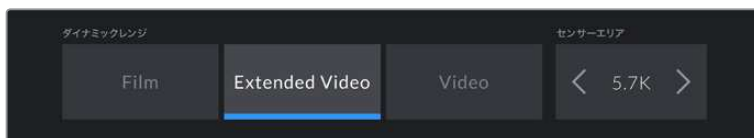
Pocket Cinema Camera 6KでBlackmagic RAWを使用する際の「解像度 (RESOLUTION)」オプション



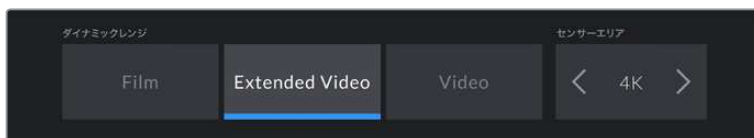
Pocket Cinema Camera 4Kの「解像度 (RESOLUTION)」オプション 4K DCIフォーマットでは、カテゴリーは「解像度 (RESOLUTION)」で、それ以外は「解像度 - ウィンドウセンサー (RESOLUTION - SENSOR WINDOWED)」。

収録設定 2

「収録 (RECORD)」設定タブの2ページ目には以下のオプションが含まれます。



Pocket Cinema Camera 6Kの「ダイナミックレンジ (DYNAMIC RANGE)」および「センサーエリア (SENSOR AREA)」オプション。



Pocket Cinema Camera 4Kの「ダイナミックレンジ (DYNAMIC RANGE)」および「センサーエリア (SENSOR AREA)」オプション。

ダイナミックレンジ (DYNAMIC RANGE)

ダイナミックレンジのアイコンをタップして、「ダイナミックレンジ (DYNAMIC RANGE)」設定を調整できます。Blackmagic Pocket Cinema Cameraのダイナミックレンジ設定は3つあります：

Film	「Film」設定は、Logカーブを使ってビデオを収録します。最大のダイナミックレンジを維持することで最も多くのビデオ信号の情報が得られます。DaVinci Resolveなどカラーグレーディングソフトウェアの能力を最大限に活用できるのはこの設定です。
Extended Video	「Extended Video」設定は「Video」と「Film」の中間のバランスの良いダイナミックレンジ設定です。「Video」より広いダイナミックレンジが得られる一方で、穏やかなコントラスト変化を適用し、ハイライトが滑らかにロールオフされます。「Extended Video」は標準放送用モニターとの使用に適しています。また、ポストプロダクションに当てられる時間が限られており、最初から見栄えの良いルックを適用してクリップを収録したい場合に便利です。
Video	「Video」設定は、HDビデオ用のREC709カラー標準規格と似ています。手を加えない（またはポスト処理が最小限の）納品に適したカラー空間の圧縮ビデオフォーマットで直接収録するため、ワークフローがスピードアップします。

メモ 「Film」モードで、Blackmagic RAWまたはProResで収録する場合、タッチスクリーンには、薄暗く彩度の低いイメージが表示されます。これは、グレーディング前の多くの情報が含まれたイメージファイルを標準のディスプレイに合わせているためです。「Film」モードでの収録中に、標準のコントラストをシミュレートするディスプレイLUT（ルックアップテーブル）を使用して、タッチスクリーンおよびHDMI出力でビデオをモニタリングできます。詳細は、このマニュアルの「3D LUT」セクションを参照してください。

センサーエリア (SENSOR AREA)

Blackmagic Pocket Cinema Cameraは、「フル (FULL)」センサーエリアを使用するよう設定できます。あるいはフレームレートが高い場合、「センサーエリア (SENSOR AREA)」を「ウィンドウ (WINDOW)」モードに設定することも可能です。このモードでは、センサー全体からイメージをスケーリングするのではなく、使用するビデオフォーマットに必要なセンサーピクセルだけを使用します。一部のフォーマットは、ウィンドウとスケーリングの両方を用います。例えば、Pocket Cinema Camera 6Kでは、HDフォーマットはフルセンサー、5.7Kウィンドウ、2.7Kウィンドウからスケーリングされます。

「ウィンドウ (WINDOW)」モードでは、カメラセンサーの中央のみを使用するため、クロップファクターによってレンズの視野が狭く見えます。例えば、20mmレンズを使用し、ウィンドウセンサーモードでHDフットージを撮影する場合、Pocket Cinema Camera 4Kの視野は40mmレンズと同じになります。

「センサーエリア (SENSOR AREA)」設定は、Ultra HDやHD ProResビデオなど、カメラの最大解像度を下回る解像度で収録している場合に使用できます。

Pocket Cinema Camera 6Kの最大フレームレートは、2.8K 17:9ウィンドウ、および2.7KウィンドウからスケーリングしたHDで撮影する際に使用できます。Pocket Cinema Camera 4Kの最大フレームレートは、2.6K 16:9、およびウィンドウHDモードで使用できます。

フルまたはウィンドウフォーマットの詳細は、「最大センサーフレームレート」セクションを参照してください。

プロジェクトフレームレート (PROJECT FRAME RATE)

プロジェクトフレームレートは、映画/テレビ業界で一般的に使用されているフレームレートを選択できます。例えば、23.98fpsなどです。通常、このフレームレートは、ポストプロダクション・ワークフローと納品で求められる、再生速度およびオーディオ同期に合わせて設定します。

プロジェクトフレームレート設定は、23.98、24、25、29.97、30、50、59.94、60fpsの8つに対応しています。

オフスピード収録 (OFF SPEED RECORDING)

デフォルトでは、プロジェクトフレームレートとセンサーフレームレートは、自然な再生速度では一致するようになっています。しかし、「オフスピード収録 (OFF SPEED RECORDING)」スイッチアイコンをタップすると、個別にセンサーフレームレートを設定できます。

オフスピードフレームレート (OFF SPEED FRAME RATE)

「オフスピード収録 (OFF SPEED RECORDING)」を有効にし、「オフスピードフレームレート (OFF SPEED FRAME RATE)」インジケータの横にある矢印をタップして、カメラのセンサーフレームレートを設定します。

センサーフレームレートは、1秒間に収録するセンサーからの実際のフレーム数を設定します。フレームレートは、設定したプロジェクトフレームレートで再生する際にビデオの速度に影響します。

オフスピードフレームレートに関する詳細は、このマニュアルの「タッチスクリーンの機能」セクションの「フレーム/秒 (FPS)」を参照してください。

メモ 各収録フォーマットおよびコーデックで使用できる最大フレームレートの詳細は、「最大センサーフレームレート」の表を参照してください。

収録に使用するカード (PREFERRED CARD FOR RECORDING)

両方のスロットが使用されている場合に、この設定で、Blackmagic Pocket Cinema Cameraで最初使用するストレージカードまたはドライブを選択します。オプションは「CFastカード (CFast Card)」、「SDカード (SD Card)」、「低残量カード (Fullest Card)」です。「CFastカード (CFast Card)」または「SDカード (SD Card)」のどちらを選択するかは個人の好みによりますが、どちらかを一貫して使用することで、ストレージが一杯になった時にどちらのカードを最初に交換すべきか分かります。「低残量カード (Fullest Card)」のオプションは、単一のカメラを使ったプロジェクトでファイルを古い順に分類する際に役立ちます。

選択した設定は、CFast/SDカードが挿入されている時に適用されます。この設定は、ストレージ管理でカード名をタップして「アクティブ (Active)」に設定することで、いつでもオーバーライドできます。しかし、カードをイジェクトしたり、入れ直した場合は、現在の「収録に使用するカード (PREFERRED CARD FOR RECORDING)」の設定に戻ることに注意してください。

作業のこつ 「低残量カード (Fullest Card)」設定は、収録メディアの使用容量のパーセンテージに基づいており、カードのサイズや使用しているデータ量に基づくものではありません。

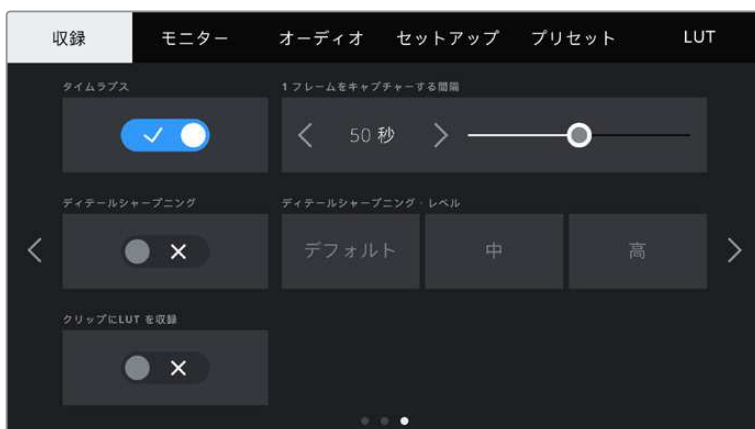
コマ落ち発生時に収録を停止 (STOP REC IF CARD DROPS FRAME)

コマ落ちが生じた際のBlackmagic Pocket Cinema Cameraの挙動を設定できます。オフの場合、コマ落ちが検出されても収録を続けます。オンの場合、コマ落ちが検出されると収録を停止します。これにより、使用できないフットージを収録することを防ぎ、時間を無駄にすることを防止できます。

作業のこつ コマ落ちを防ぐ方法の詳細は「ストレージメディア」セクションを参照してください。

収録設定 3

「収録 (RECORD)」設定タブの3ページ目には以下の設定が含まれます。



タイムラプス (TIMELAPSE)

タイムラプス機能が有効になり、以下のインターバルでスチルフレームを自動的に撮影します：

フレーム	2 - 10
秒	1 - 10、20、30、40、50
分	1 - 10

例えば、10フレーム、5秒、30秒、5分ごとにスチルフレームを撮影するように設定可能です。

タイムラプス機能を使用することで、クリエイティブなオプションが広がります。例えば、2フレームのタイムラプス・インターバルを設定すると、再生した際に高速のエフェクトが得られます。

録画ボタンを押すと収録が開始されます。再度ボタンを押して収録を停止すると、タイムラプスのシーケンスは単一のクリップとして保存され、カメラで設定されたコーデックとフレームレートに一致します。つまり、ポストプロダクションのタイムラインにタイムラプスのシーケンスを取り込み、収録した他のクリップと同様に扱えます。



タイムラプスモードは、録画ボタンの上にアイコンで表示されます。

作業のこつ タイムラプスモードでクリップを収録する際は、ビデオフレームが収録される度にタイムコードカウンターが更新されます。

ディテールシャープニング (DETAIL SHARPENING)

この設定を使用して、イメージのシャープニングを実行できます。シャープニング機能を有効にし、「デフォルト (Default)」、「中 (Medium)」、「高 (High)」のいずれかを選択してシャープニングのレベルを設定します。

シャープニング機能が有効になっていると、シャープニングは収録したProResビデオおよびHDMI出力に適用されます。

この設定は、ポストプロダクションを行う時間がなく、イメージをライブでオンエアしたい場合のスタジオでのライブ制作に役立ちます。後にポストプロダクションに持ち込む予定がある場合は、この設定はオフにしておくことをお勧めします。コーデックがBlackmagic RAWに設定されている場合、この設定は無効になります。

クリップにLUTを収録 (RECORD LUT TO CLIP)

Blackmagic Pocket Cinema Cameraは、デフォルトでは収録されたフッターにLUTの適用や焼き付けを行いません。しかし、「クリップにLUTを収録 (RECORD LUT TO CLIP)」スイッチアイコンをタップすると、フッターにLUTを焼き付けるように選択できます。

これは、ポストプロダクションでフッターをグレーディングする時間がない場合や、クライアントやエディターに直接フッターを渡す必要がある場合に便利です。詳細は「3D LUT」および「タッチスクリーンコントロール」セクションを参照してください。

ファイルにLUTを適用 (APPLY LUT IN FILE)

Blackmagic RAWコーデックで撮影する際、カメラのHDMI出力にLUTを適用すると、選択したLUTは収録しているBlackmagic RAWファイルにエンベッドされます。つまり、LUTはファイルのヘッダーに保存され、個別のファイルを扱う必要なく、ポストプロダクションで簡単に適用できます。収録メニューで「ファイルにLUTを適用 (APPLY LUT IN FILE)」スイッチがオンになっている場合、クリップをBlackmagic RAW PlayerおよびDaVinci Resolveで開くと、選択したLUTがすでに適用されて表示されます。LUTは簡単にオン/オフできますが、クリップ自体に情報が存在するため、移動させてもBlackmagic RAWファイルに常に伴います。

DaVinci ResolveのRAW設定のパレットにも「LUTを適用」スイッチがあり、Blackmagic RAWファイルの3D LUTを有効/無効にできます。DaVinci Resolveの「LUTを適用」設定はカメラの設定と同様に機能します。これは、撮影時にカメラでLUTを設定して使用することで、直接カラリストに指示ができることを意味しますが、DaVinci Resolveの「LUTを適用」設定で簡単にLUTをオフにすることも可能です。

ファイル名定義

クリップは、選択したフォーマットに応じて、Blackmagic RAWフォーマットまたはProRes QuickTimeムービーでCFast/SDカード/USB-Cフラッシュディスクに収録されます。

以下の表はファイル名定義の例です：

A001_08151512_C001.mov	QuickTimeムービーのファイル名
A001_08151512_C001.mov	カメラインデックス
A 001 _08151512_C001.mov	リール番号
A001_ 08 151512_C001.mov	月
A001_08 15 1512_C001.mov	日
A001_0815 15 12_C001.mov	時
A001_081515 12 _C001.mov	分
A001_08151512_ C001 .mov	クリップ番号

スチルボタンを使用してキャプチャーしたスチルイメージファイルは、ビデオクリップのファイル名定義に従いますが、ファイル名の末尾4文字は、クリップ番号の代わりに「スチル番号」を意味する「S001」になります。カメラインデックスの変更方法に関しては「プロジェクトメタデータ」セクションを参照してください。

モニター設定 (MONITOR)

「モニター (MONITOR)」タブでは、Blackmagic Pocket Cinema CameraのLCDタッチスクリーンおよびHDMI出力のステータステキスト、オーバーレイ、その他のモニタリングオプションを調整できます。これらのオプションは、「LCD」、「HDMI」、「両方 (Both)」の出力で設定可能です。「両方 (Both)」は、LCDおよびHDMI出力に影響するモニター設定をカバーしています。メニューは2ページあり、カメラのタッチスクリーンの端にある矢印をタップするか左右にスワイプして切り替えます。

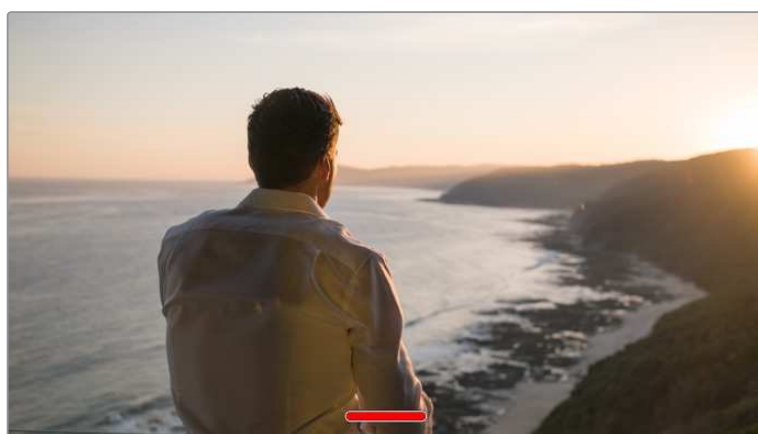
モニター設定1

「モニター (MONITOR)」タブの最初のページには、各出力に同じ設定が含まれています。例えば、ゼブラ機能をLCDタッチスクリーンではオンにして、HDMI出力ではオフに設定できます。



クリーンフィード (CLEAN FEED)

「LCD」または「HDMI」メニューで「クリーンフィード (CLEAN FEED)」スイッチをタップすると、収録タリインジケータを除く、すべてのステータステキストおよびオーバーレイが該当の出力でオフになります。



カメラは、クリーンフィードが有効になっていても収録タリを表示。

メモ クリーンフィードを有効にしている場合でもLUTは出力に適用されます。LUTを無効にするには、「モニター (MONITOR)」メニューで「LUT表示 (DISPLAY LUT)」スイッチをオフにします。

3D LUTを表示 (DISPLAY 3D LUT)

Blackmagic Pocket Cinema Cameraは、あらゆる出力に3D LUTを適用して、カラーグレーディングされたフッテージのルックに近づけることができます。これは「Film」ダイナミックレンジでクリップを収録している場合に、特に便利です。

カメラで有効な3D LUTがある場合、この設定でLCDタッチスクリーンまたはHDMI出力に個別にLUTを適用できます。

3D LUTのロードや使用に関しては、このマニュアルの「3D LUT」セクションを参照してください。

「LCD」または「HDMI」ページでスイッチをタップして、LCDタッチスクリーンおよびHDMI出力のモニタリングオプションを有効にします。オプションには、フレームガイド、グリッド、セーフエリアガイド、フォルスカラーがあります。

ゼブラ (ZEBRA)

「LCD」または「HDMI」メニューで「ゼブラ (ZEBRA)」スイッチをタップすると、これらの出力でゼブラガイドを使用できます。ゼブラガイドおよびゼブラレベルの設定に関する詳細は、このマニュアルの「タッチスクリーンの機能」セクションを参照してください。

フォーカスアシスト (FOCUS ASSIST)

「LCD」または「HDMI」メニューで「フォーカスアシスト (FOCUS ASSIST)」スイッチをタップすると、これらの出力でフォーカスアシストを使用できます。フォーカスアシストおよびフォーカスアシスト・レベルの設定に関する詳細は、このマニュアルの「タッチスクリーンの機能」セクションを参照してください。

フレームガイド (FRAME GUIDE)

「LCD」または「HDMI」メニューで「フレームガイド (FRAME GUIDE)」スイッチをタップすると、これらの出力でフレームガイドを使用できます。フレームガイドおよびガイドの選択に関する詳細は、このマニュアルの「タッチスクリーンの機能」セクションを参照してください。

グリッド (GRID)

「LCD」または「HDMI」メニューで「グリッド (GRID)」スイッチをタップすると、これらの出力で3x3グリッドを使用できます。3x3グリッドに関する詳細は、このマニュアルの「タッチスクリーンの機能」セクションを参照してください。

セーフエリアガイド (SAFE AREA GUIDE)

「LCD」または「HDMI」メニューで「セーフエリアガイド (SAFE AREA GUIDE)」スイッチをタップすると、これらの出力でセーフエリアオーバーレイを使用できます。詳細は、このマニュアルの「タッチスクリーンの機能」セクションの「セーフエリアガイド」を参照してください。

メモ Blackmagic Pocket Cinema Cameraの「モニター (MONITOR)」設定の「両方 (Both)」で「セーフエリアガイド % (SAFE AREA GUIDE %)」を使用すると、セーフエリアガイドのサイズを調整できます。

フォルスカラー (FALSE COLOR)

「LCD」または「HDMI」メニューで「フォルスカラー (FALSE COLOR)」スイッチをタップすると、これらの出力でフォルスカラーの露出アシスタントを使用できます。フォルスカラーの使用方法に関しては、このマニュアルの「タッチスクリーンの機能」セクションを参照してください。

LCDモニター設定2

「モニター (MONITOR)」タブの2ページ目には、LCDタッチスクリーン独自の設定が含まれます。



「ステータステキスト (STATUS TEXT)」を切り替えて、プレビューイメージのみを表示

ステータステキスト (STATUS TEXT)

LCDタッチスクリーンでステータステキストやメーターを隠して、ショットの構成に必要な情報のみを使用したい場合に便利です。「ステータステキスト (STATUS TEXT)」スイッチアイコンをタップして、カメラのLCDタッチスクリーンのステータステキストとメーターの表示を切り替えます。フレームガイド、グリッド、フォーカスアシスト、ゼブラなどのオーバーレイ表示を有効にしている場合、これらのオーバーレイは引き続き表示されます。LCDタッチスクリーンで上または下にスワイプすると同じ効果があります。

ディスプレイ (DISPLAY)

カメラは、ヒストグラムとオーディオメーターの代わりに、コーデックおよび解像度情報をLCDタッチスクリーンの左下と右下に表示できます。露出の調整にフォルスカラーを使用する場合やオーディオを別に収録している場合など、これらのスペースにヒストグラムとオーディオメーターの代わりに他の情報を表示したい時にこの機能が役立ちます。

LCDメニューで「メーター (Meters)」または「コーデックと解像度 (Codec and Resolution)」をタップして使用したいビューを選択します。



Blackmagic Pocket Cinema Cameraは、ヒストグラムとオーディオメーターの代わりに、コーデックおよび解像度情報を表示可能

スクリーンの明るさ (SCREEN BRIGHTNESS)

LCDメニューでスクリーンの明るさ調整スライダーを左右にドラッグして、LCDタッチスクリーンの明るさを調整できます。

HDMIモニター設定2

「HDMI」モニタータブの2ページ目には、HDMI出力独自の設定が含まれています。



ステータステキスト (STATUS TEXT)

HDMI出力でステータステキストやメーターを隠して、ショットの構成に必要な情報のみを使用したい場合に役立ちます。HDMIモニターメニューで「ステータステキスト (STATUS TEXT)」スイッチアイコンをタップして、ステータステキストとメーターの表示を切り替えます。フレームガイド、グリッド、フォーカスアシスト、ゼブラなどのオーバーレイ表示を有効にしている場合、これらのオーバーレイは引き続き表示されます。

タッチスクリーンのステータステキストやメーターの表示/非表示は、上下にスワイプすると切り替わります。

撮影監督/監督用ステータステキスト (DISPLAY STATUS TEXT FOR)

LCDタッチスクリーンは、ISO、ホワイトバランス、アパーチャーなどカメラオペレーターや撮影監督がカメラで個別のショットをセットアップする際に役立つ情報を表示します。一方、カメラのHDMI出力は、監督や、複数のショットやカメラの記録を取っているスクリプターにとって役立つ情報も表示します。



Blackmagic Pocket Cinema CameraはHDMI出力に監督用のステータステキストを表示。

HDMIモニター設定でステータステキストを「監督 (Director)」に設定すると、該当出力のステータステキストが以下の情報を表示します。

- ・ **FPS**

現在カメラで選択されているフレーム/秒を表示します。オフスピードフレームレートが無効になっている場合、プロジェクトフレームレートのみを表示します。オフスピードフレームレートを使用している場合、センサーフレームレートの後にプロジェクトフレームレートが表示されます。

- ・ **カメラ (CAM)**

カメラのスレートで設定されたカメラインデックスを表示します。詳細は「スレート」セクションを参照してください。

- ・ **オペレーター (OPERATOR)**

カメラのスレートで設定されたカメラオペレーターを表示します。詳細は「スレート」セクションを参照してください。

- ・ **継続時間表示**

現在収録中のクリップ、または最後に撮影されたクリップの継続時間を「時間:分:秒」のフォーマットで表示します。

- ・ **リール (REEL)、シーン (SCENE)、テイク (TAKE)**

現在のリール、シーン、テイクを表示します。リール、シーン、テイクおよびラベルのルールに関しては、「スレート」セクションを参照してください。

- ・ **ダイナミックレンジ (DYNAMIC RANGE)**

出力にLUTを適用している場合、モニターの左下に現在適用しているLUTが表示されます。LUTを適用していない場合、「Film」または「Video」ダイナミックレンジが表示されます。

- ・ **タイムコード (TIMECODE)**

モニターの右下にタイムコードが「時間:分:秒:フレーム」のフォーマットで表示されます。

「両方 (Both)」モニター設定1

カメラのLCDおよびHDMI出力の両方に影響を与えるモニター設定は、「両方 (Both)」メニューに分類されます。例えば、このメニューで「セーフエリアガイド % (SAFE AREA GUIDE %)」を90%に設定すると、カメラのLCDおよびHDMI出力のセーフエリアガイドが90%に設定されます。

「両方 (Both)」モニター設定は2ページあり、以下の設定を含みます。



フレームガイド (FRAME GUIDES)

「フレームガイド (FRAME GUIDES)」メニュー設定の左右の矢印をタップして、カメラの全出力のフレームガイドオプションを切り替えます。オプションに関する詳細は、このマニュアルの「タッチスクリーンの機能」セクションを参照してください。また、LCDタッチスクリーンのヘッドアップディスプレイに表示されるLCDモニタリングメニューからもアクセス可能です。LCDタッチスクリーンおよびHDMI出力の各モニターメニューで、フレームガイドの表示/非表示を個別に選択することもできます。

ガイド不透明度 (GUIDE OPACITY)

「ガイド不透明度 (GUIDE OPACITY)」メニュー設定の左右の矢印をタップして、LCDタッチスクリーンおよびHDMI出力でフレームガイドによりブロックされた領域の不透明度を選択できます。オプションは25%、50%、75%、100%です。

フォーカスアシスト (FOCUS ASSIST)

カメラには「ピーク (Peak)」と「カラーライン (Colored Lines)」の2つのフォーカスアシストモードがあります。

ピーク (Peak)	ピークスタイルのフォーカスアシストを選択している場合、ショットのフォーカスが合っている領域はLCDスクリーンおよびHDMI出力で非常にシャープになりますが、収録されたイメージには適用されません。ショット内でフォーカスが合っている部分が、スクリーン上のソフトなバックグラウンドから飛び出すように見えます。追加のオーバーレイが使用されないため、非常に直感的な方法でフォーカスを確認できます。フォーカスする被写体がショット内の他のエレメントから物理的に離れている場合に特に役立ちます。
カラーライン (Colored Lines)	カラーラインスタイルのフォーカスアシストを選択している場合、フォーカスが合っている部分の周辺にカラーラインが表示されます。イメージ上に線が表示されるため、ピークスタイルのフォーカスアシストと比べて目立ちますが、画面上に多くのエレメントが存在する場合などに正確なフォーカスを得る助けになります。

フォーカスアシスト・レベル (FOCUS ASSIST LEVEL)

LCDタッチスクリーンおよびHDMI出力用のフォーカスアシストのレベルを設定するには、「低 (Low)」、「中 (Medium)」、「高 (High)」をタップします。

メモ フォーカスアシストのレベルを変更しても、Blackmagic Pocket Cinema CameraのLCDおよびHDMI出力のフォーカスアシストのオン/オフには影響しません。各出力のフォーカスアシストをオンにするには、「モニター (MONITOR)」メニューのLCDおよびHDMIで個別に設定を切り替える必要があります。

作業のコツ フォーカスアシストの最適なレベルは、ショットごとに異なります。例えば、人物にフォーカスを合わせる場合は、フォーカスアシストのレベルを上げると顔のエッジのディテールを際立たせることができます。逆に草木やレンガなどのショットでは、フォーカスアシストを高く設定するとディテールが増えすぎ、イメージの邪魔になる恐れがあります。

フォーカスカラー (FOCUS COLOR)

カラーラインスタイルのフォーカスアシストを使用している場合、フォーカスラインオーバーレイの色を変更できます。フォーカスラインの色を変更すると、イメージ内のフォーカスアシストを確認しやすくなります。オプションは「ホワイト (White)」、「レッド (Red)」、「グリーン (Green)」、「ブルー (Blue)」、「ブラック (Black)」です。

ゼブラレベル (ZEBRA LEVELS)

隣にある矢印アイコンをタップして、ゼブラが表示される露出レベルを設定します。ゼブラレベルは露出75~100%間で5%ずつ調整できます。

詳細は、このマニュアルの「タッチスクリーンの機能」セクションの「ゼブラガイド」を参照してください。

「両方 (Both)」モニター設定2

「両方 (Both)」設定タブの2ページ目には以下のオプションが含まれます。



モニター設定の「両方 (Both)」2ページ目。

グリッド (GRIDS)

カメラのLCDタッチスクリーンおよびHDMI出力で表示したいグリッドおよび十字線の組み合わせを設定するには、「3x3グリッド (Thirds)」、「水平 (Horizon)」、「十字線 (Crosshair)」、「ドット (Dot)」をタップします。

詳細は「タッチスクリーンの機能」セクションの「グリッドガイド」を参照してください。

セーフエリアガイド % (SAFE AREA GUIDE %)

タッチスクリーンおよびHDMI出力のセーフエリアオーバーレイのサイズを調整するには、パーセンテージ表示の左右にある矢印ボタンをタップします。このパーセンテージは、イメージフレームのセーフエリアサイズを示します。多くの放送局は90%セーフエリアを要望します。

アナモルフィック・デスクイーズ (ANAMORPHIC DESQUEEZE)

Pocket Cinema Cameraは、LCDタッチスクリーンおよびHDMI出力にアナモルフィック・デスクイーズを適用できます。16:9および17:9フォーマットで「1.33x アナモルフィック・デスクイーズ (1.33x ANAMORPHIC DESQUEEZE)」を有効にできます。Pocket Cinema Camera 6Kで「3.7K Anamorphic」フォーマット、またはPocket Cinema Camera 4Kで「2.8K Anamorphic」で撮影する際、カメラは「2x アナモルフィック・デスクイーズ (2x ANAMORPHIC DESQUEEZE)」を自動的に適用します。

オーディオ設定 (AUDIO)

「オーディオ (AUDIO)」タブでは、カメラのオーディオ入力およびモニタリング設定の調整が可能です。

カメラのオーディオ設定は2ページに分かれており、またチャンネル1と2に分かれています。

各オーディオは異なるソースにマッピングできます。また、ゲインコントロールなどの様々な設定を調整できます。

オーディオ設定1

「オーディオ (AUDIO)」タブの最初のページには以下の設定が含まれます。



チャンネルソース (CHANNEL 1/2 SOURCE)

「チャンネルソース1 (CHANNEL 1 SOURCE)」および「チャンネルソース2 (CHANNEL 2 SOURCE)」ボタンを使用して、各オーディオチャンネルのオーディオソースを選択します。以下は、各チャンネルソース設定の詳細です。

- ・ **カメラ左/右 (Camera Left/Right)**
カメラの内蔵マイクで収録を行います。
- ・ **カメラモノ (Camera - Mono)**
Blackmagic Pocket Cinema Cameraの内蔵マイクの左右のチャンネルから、単一のチャンネルを作成します。
- ・ **XLR - ライン (XLR - Line)**
カメラのXLR入力を使用して、ラインレベルオーディオを収録します。
- ・ **XLR - マイク (XLR - Mic)**
カメラのXLR入力からマイクレベルオーディオを収録します。ファンタム電源がオンの状態で「XLR - マイク (XLR - Mic)」に設定している場合、「+48V」のインジケータも併せて表示されます。ファンタム電源マイクが接続されていない場合は必ず「+48V」スイッチを必ずオフにしてください。
- ・ **3.5mm左 - ライン (3.5mm Left - Line)**
3.5mm入力の左チャンネルのみをラインレベルオーディオとして使用します。
- ・ **3.5mm右 - ライン (3.5mm Right - Line)**
3.5mm入力の右チャンネルのみをラインレベルオーディオとして使用します。
- ・ **3.5mmモノ - ライン (3.5mm Mono - Line)**
3.5mm入力の左右チャンネルで、ラインレベルオーディオとしてモノミックスを作成します。
- ・ **3.5mm左 - マイク (3.5mm Left - Mic)**
3.5mm入力の左チャンネルのみをマイクレベルオーディオとして使用します。
- ・ **3.5mm右 - マイク (3.5mm Right - Mic)**
3.5mm入力の右チャンネルのみをマイクレベルオーディオとして使用します。
- ・ **3.5mmモノ - マイク (3.5mm Mono - Mic)**
3.5mm入力の左右チャンネルで、マイクレベルオーディオとしてモノミックスを作成します。
- ・ **なし (None)**
オーディオチャンネルを無効にします。

メモ オーディオソースとして3.5mm入力を選択する場合、チャンネル1と2のソースは両方ともラインレベルあるいはマイクレベルである必要があります。つまり、「3.5mm左 - ライン (3.5mm Left - Line)」をチャンネル1のソースとして選択する場合、チャンネル2の3.5mm入力として選択できるオプションは、「3.5mm左 - ライン (3.5mm Left - Line)」、「3.5mm右 - ライン (3.5mm Right - Line)」、「3.5mmモノ - ライン (3.5mm Mono - Line)」です。マイクレベルのオプションは、グレーになって選択できません。

チャンネル1/2レベル (CHANNEL 1/2 LEVEL)

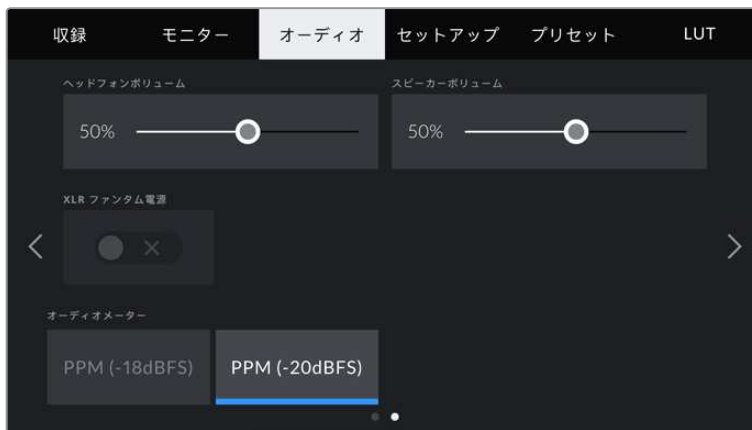
レベルメーターは、オーディオレベルを的確に設定するのに役立ちます。

チャンネル1/2ゲイン (CHANNEL 1/2 GAIN)

チャンネル1および2のソースの収録レベルは、このスライダーを使用して調整できます。

オーディオ設定2

「オーディオ (AUDIO)」タブの2ページ目には以下の設定が含まれます。



ヘッドフォンボリューム (HEADPHONES VOLUME)

このスライダーは、3.5mmヘッドフォンジャックに接続したヘッドフォンの出力レベルを調整します。オーディオスライダーを左右に動かすことで、レベルを調整できます。

スピーカーボリューム (SPEAKER VOLUME)

このスライダーは、内蔵スピーカーの出力レベルを調整します。オーディオスライダーを左右に動かすことで、レベルを調整できます。

XLRファンタム電源 (XLR PHANTOM POWER)

XLR入力は48Vファンタム電源に対応しているので、電源を内蔵していないマイクも使用できます。カメラが「XLR」オーディオ入力に設定されている場合、「XLRファンタム電源 (XLR PHANTOM POWER)」スイッチアイコンをタップしてファンタム電源を有効にします。

オーディオメーター (AUDIO METERS)

ピークレベルメーター用に、「オーディオメーター (AUDIO METERS)」の規格を選択します。

オーディオメーター設定	規格
PPM (-20 dBFS)	SMPTE RP.0155
PPM (-18 dBFS)	EBU R.68

メモ XLRケーブルはファンタム電源をオンにする前に接続してください。ファンタム電源を使ったマイクを接続していない場合は必ずファンタム電源をオフにすることが重要です。ファンタム電源モードを使用中にファンタム電源を必要としないデバイスを接続すると、カメラが電源を供給し続けるので機器の破損の原因となります。ファンタム電源をオフにした後は、放電に少し時間がかかります。

他のマイクやXLRオーディオ機器を接続する場合は、ファンタム電源をオフにしてから必ず数分待ち、その後接続してください。

セットアップ設定 (SETUP)

「セットアップ (SETUP)」タブには、Blackmagic Pocket Cinema Cameraの識別設定、ソフトウェアバージョン、機能ボタン設定、収録やモニタリングと直接リンクしないその他のカメラ設定が含まれます。このメニューは4ページあり、LCDタッチスクリーンの端にある矢印をタップするか左右にスワイプすることで切り替えられます。

セットアップ設定 1ページ

「セットアップ (SETUP)」タブの最初のページには以下の設定が含まれます。



日付と時刻 (DATE AND TIME)

この設定をタップしてカメラの日付と時刻を設定します。日付フォーマットは、年、月、日で、時刻フォーマットは24時間です。外部タイムコードソースが接続されていない場合、日付と時刻は時刻タイムコードにも使用されます。

言語 (LANGUAGE)

Pocket Cinema Cameraは、以下の11言語に対応しています：日本語、英語、中国語、韓国語、スペイン語、ドイツ語、フランス語、ロシア語、イタリア語、ポルトガル語、トルコ語。



言語の選択ページは、初めて起動する際にも表示されます。

言語を選択する：

- 1 「言語 (LANGUAGE)」をタップして、リストから任意の言語を選択します。
- 2 「アップデート (Update)」を押して、「セットアップ (SETUP)」メニューに戻ります。

シャッター表示 (SHUTTER MEASUREMENT)

シャッター情報の表示方法を「アングル (Shutter Angle)」と「スピード (Shutter Speed)」で切り替えられます。

シャッターアングルを使用する場合、シャッターはフレームレートに連動します。例えば、180°は使用しているフレームレートに関わらず同じモーションブラーを生み出します。

しかし、シャッタースピードを使用する場合、シャッターはフレームレートとは別の絶対値が使われるため、フレームレートを変更すると得られる結果が変わります。

例えば、24fpsでの撮影では、シャッタースピードを1/48秒にすると、180°のシャッターアングルと同等の適度なモーションブラーが得られます。48fpsに変更すると、1/48秒のシャッタースピードでは24fpsと同じモーションブラーは得られず、360°のシャッターアングルと同等の効果になります。この例では、フレームレートを48fpsに変更する場合、180°のシャッターアングルと同等の効果を得るためにはシャッタースピードを1/96秒に変更する必要があります。

フリッカーの生じないシャッター (FLICKER FREE SHUTTER BASED ON)

カメラが使用する主電源周波数を変更し、フリッカーの生じないシャッター設定を計算します。

照明の下で撮影する際は、シャッターが原因でフリッカーが生じる場合があります。Blackmagic Pocket Cinema Cameraは、現在のフレームレートでフリッカーの生じないシャッターの値を自動的に計算し、最大3つのシャッターの値を提案します。シャッターの値は、照明に使う主電源の周波数により影響を受けます。PALを採用している国の多くでは50Hz、NTSCを採用している国では一般的に60Hzが使用されています。「50Hz」または「60Hz」をタップして、撮影を行なっている地域に適した周波数を設定します。

メモ フリッカーの生じないシャッターの値を使用しているにも関わらず、様々な照明の特性によりフリッカーが生じる場合があります。連続光を使用していない場合は、テスト撮影を行うことをお勧めします。

イメージスタビライゼーション (IMAGE STABILIZATION)

Pocket Cinema Camera 4Kは、「イメージスタビライゼーション (IMAGE STABILIZATION)」オプションで、物理的なスイッチを搭載していないレンズのイメージスタビライズのオン/オフを切り替えます。

タイムコードドロップフレーム (TIMECODE DROP FRAME)

29.97および59.94のNTSCプロジェクトフレームレートを使用している場合、「タイムコードドロップフレーム (TIMECODE DROP FRAME)」のオプションを使用してドロップフレームタイムコードを使用します。ドロップフレームタイムコードは、特定の間隔で少数のフレームをタイムコードからスキップします。これにより、1秒間にNTSCフレームレートで全フレームが含まれていなくても、プロジェクトのタイムコードの正確性が保たれます。

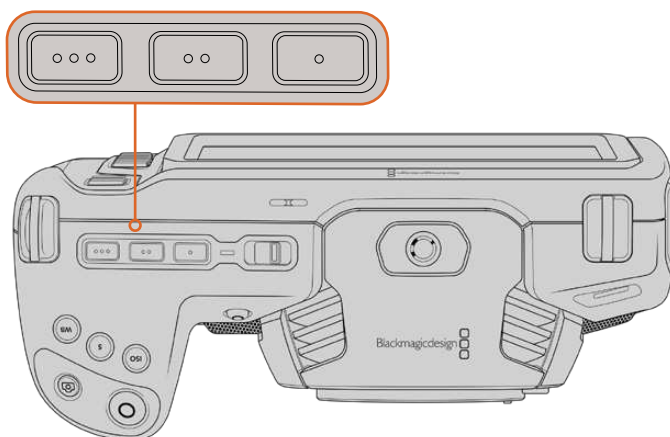
セットアップ設定 2ページ

「セットアップ (SETUP)」タブの2ページ目には以下の設定が含まれます。



機能ボタンの設定 (SET FUNCTION BUTTON)

Blackmagic Pocket Cinema Cameraの上部には3つの機能ボタンがあります。ボタンのドットの数、機能ボタン1、2、3を意味します。これらのボタンにはカメラを使用中に頻繁に使う機能をマッピングして、すばやくアクセスできます。



カメラ上部の機能ボタンは、ドットの数、ボタン番号を示す

これらのボタンを設定するには、まず機能ボタンを選択し、挙動、設定、パラメーターを選択します。



1 ボタン 2 挙動 3 設定 4 パラメーター

F1/2/3の挙動 (FUNCTION 1/2/3 BEHAVES AS)

マッピングしたい機能ボタンを選択したら、挙動を選択します。選択できるオプション：

プリセット (Preset)	<p>この挙動に設定すると、機能ボタンを押した際に設定とパラメーターの組み合わせを呼び出します。</p> <p>プリセットを設定するには、「設定 (SETTING)」メニューで選択を行い、「パラメーター (PARAMETER)」メニューの横にある矢印アイコンをタップして調整します。</p> <p>例えば、F1ボタンをf8のプリセットアパーチャーの呼び出しに設定する場合、「プリセット (Preset)」を選択して「アイリス (Iris)」設定をタップし、パラメーターメニューの横の矢印をf8になるまでタップします。プリセットをもう1度タップするとカメラが前の設定に戻ります。</p>
トグル オン/オフ (Toggle On/Off)	<p>この挙動に設定すると、機能ボタンを押した際に特定の設定のオン/オフが切り替わります。このモードでは「設定 (SETTING)」メニューはグレーアウトします。「パラメーター (PARAMETER)」メニューで左右の矢印ボタンをタップし、使用可能なオプションをスクロールできます。オプションは以下になります。「オフスピード収録 (Off Speed Rec)」、「光学手ぶれ補正 (OIS)」、「クリーンフィード (Clean Feed)」、「LUT表示 (Display LUT)」、「フレームガイド (Frame Guides)」、「フォーカスアシスト (Focus Assist)」、「ゼブラ (Zebra)」、「グリッド (Grid)」、「セーフエリアガイド (Safe Area Guide)」。</p> <p>「トグル オン/オフ (Toggle On/Off)」で、この設定を適用する出力を選択します。「LCD」および「HDMI」のあらゆる組み合わせをタップして選択します。すべての出力に適用される「カラーバー」など、オプションの出力が選択できない場合は、個別の「LCD」および「HDMI」の設定が無効になります。</p>

セットアップ設定 3ページ

「セットアップ (SETUP)」タブの3ページ目には以下の設定が含まれます。



タリーライトLED (TALLY LIGHT LED)

Blackmagic Pocket Cinema Cameraは、カメラ前面にタリーライトが搭載されており、収録中は赤く点灯します。「タリーライトLED (TALLY LIGHT LED)」スイッチアイコンをタップして、タリーライトのオン/オフを切り替えます。

LEDの明るさ (LED BRIGHTNESS)

「低 (Low)」、「中 (Medium)」、「高 (High)」のいずれかをタップして、タリーライトのLEDの明るさを設定します。

ハードウェアID (HARDWARE ID)

「ハードウェアID (HARDWARE ID)」インジケータは、Blackmagic Pocket Cinema Cameraを識別する8文字を表示します。これは各カメラ独自のものです。Blackmagic RAWおよびProResビデオのメタデータには、32文字バージョンのカメラIDが含まれます。これは、特定のカメラで撮影されたフットージを識別する際に便利です。

ソフトウェア (SOFTWARE)

現在インストールされているソフトウェアのバージョン番号が表示されます。ソフトウェアのアップデートに関する詳細は、「Blackmagic Camera Setup Utility」セクションを参照してください。

再生 (PLAYBACK)

LCDタッチスクリーンで、SDカード、CFast、USB-Cフラッシュディスクから再生するクリップを「単一のクリップ (Single Clip)」または「すべてのクリップ (All Clips)」から選択できます。「すべてのクリップ (All Clips)」を選択すると、すべてのマッチするメディアが連続して再生され、「単一のクリップ (Single Clip)」を選択すると、1つのクリップだけが再生されます。これは、ループ機能にも適用されます。「すべてのクリップ (All Clips)」でループを選択すると、収録メディアの全クリップを再生し、その後ループします。「単一のクリップ (Single Clip)」を選択すると1つのクリップがループされます。

セットアップ設定 4ページ

「セットアップ (SETUP)」タブの4ページ目には以下のBluetooth®設定が含まれます。



カメラのBluetoothの名前は、スレートで選択したカメラの文字に8文字のハードウェアIDを加えたものです。

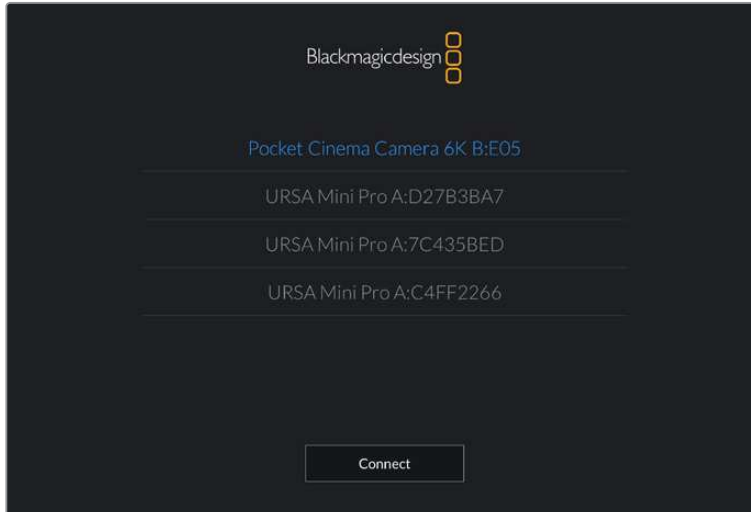
Bluetooth®

Bluetoothコントロールにより、ポータブルデバイスからカメラをワイヤレスでコントロールできます。「Blackmagic Camera Control App」を使用して、設定の変更、メタデータの調整、収録のリモートトリガーをiPadから実行できます。Bluetoothのオン/オフは、「セットアップ (SETUP)」メニューの「BLUETOOTH」スイッチアイコンをタップして切り替えます。Bluetoothが有効になっていると、最長9メートル (30フィート) 離れた場所からBluetoothデバイスでカメラを検出できます。カメラは、「Blackmagic SDI Camera Control Protocol」に使用するのと同じBluetoothコントロールのコマンドセットを使用します。このため、独自のアプリケーションを作成して、カメラのほぼすべての設定をリモートコントロールできます。例えば、モニタリングオプション、オーディオ設定、カメラの内蔵DaVinci Resolveカラーコレクター、レンズコントロールなどです。

詳細は、以下のページでダウンロードできる「Blackmagic Camera Control」を参照してください。
www.blackmagicdesign.com/jp/developer

カメラとiPadを初めてペアリングする：

- 1 Bluetoothは「セットアップ (SETUP)」メニューの「BLUETOOTH」スイッチアイコンをタップすると有効になります。
- 2 「Blackmagic Camera Control App」を開いて、ペアリングしたいカメラを選択します。ペアリング可能なカメラは、カメラモデルごとにリストアップされます。カメラ名の後ろには、以下のようなハードウェアIDが続きます。例) A:A0974BEA



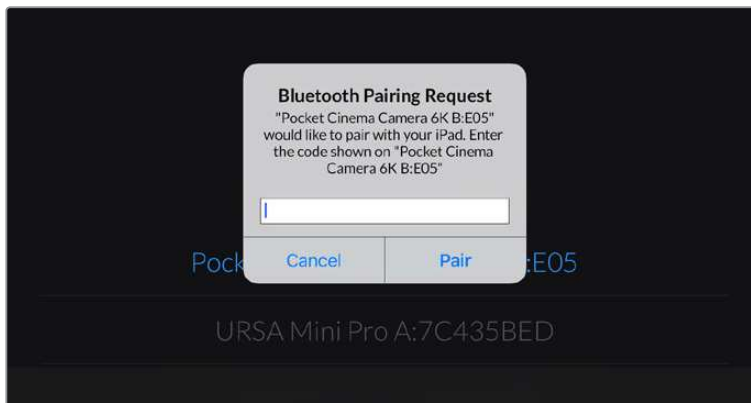
ペアリングしたいBlackmagic Pocket Cinema Cameraを選択。

メモ Blackmagic Camera Control Appをインストールして初めて起動する際、位置情報へのアクセス許可を確認するメッセージ「Allow location access」が表示されます。「While using the app (アプリ使用中)」を選択するとiPadからのGPS情報が撮影ファイルのメタデータに追加され、フッターにジオタグが付けられます。この情報は、DaVinci Resolve 15以降で確認できます。

この情報を使いたくない場合は、「Never (使用しない)」を選択します。

設定の変更は、iPadの「設定」>「プライバシー」>「位置情報サービス」>「Camera Control」で行えます。

- 3 初めて接続する場合、カメラとペアリングするためにBlackmagic Camera Control Appは6桁のコードを要求します。このコードは、カメラのLCDスクリーンに表示されるので、このコードをiPadに入力し、「Pair (ペア)」をクリックします。





- 4 カメラがiPadとペアリングされると、スクリーン上にその旨が表示されます。



- 5 カメラとiPadのペアリングが失敗すると、カメラにエラーメッセージが表示されます。再度、接続を試みてください。



メモ Blackmagic Pocket Cinema CameraのコントロールにBluetoothを使用しない場合、セキュリティのためBluetoothをオフしておくことを推奨します。

現在のデバイス接続を解除 (DISCONNECT CURRENT DEVICE)

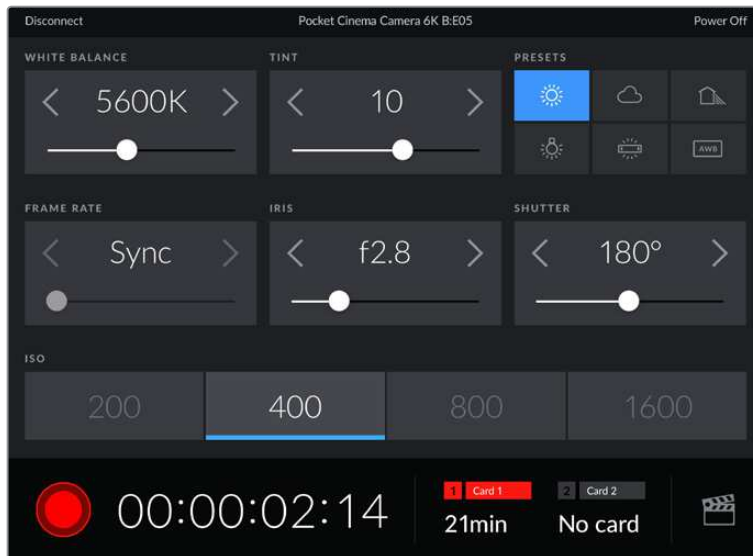
Blackmagic Pocket Cinema Cameraと現在ペアリングされているiPadの接続を切断します。

ペアリングデバイスをクリア (CLEAR PAIRED DEVICES)

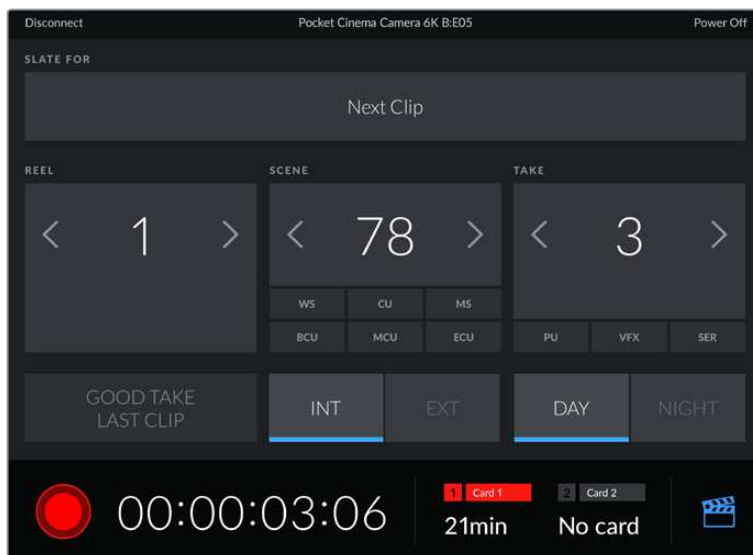
カメラとペアリングされているデバイスのリストを消去します。

Blackmagic Camera Control Appでカメラをコントロール

カメラをiPadとペアリングできたら、iPadアプリを使って、設定の変更、メタデータの調整、収録のリモートトリガーを実行できます。



ペアリングすると、Blackmagic Camera Control Appがスクリーンに表示され、設定の調整や収録の開始が可能になります。



右下にあるスレートアイコンをタップしてスレートにアクセスし、アップデート。

Blackmagic Pocket Cinema Cameraは、Bluetooth LEを使ってデバイスと通信し、ワイヤレスコントロールを実行します。これはポータブルデバイスに使用されるのと同じタイプのプロトコルで、バッテリー電源の使用は最小限です。

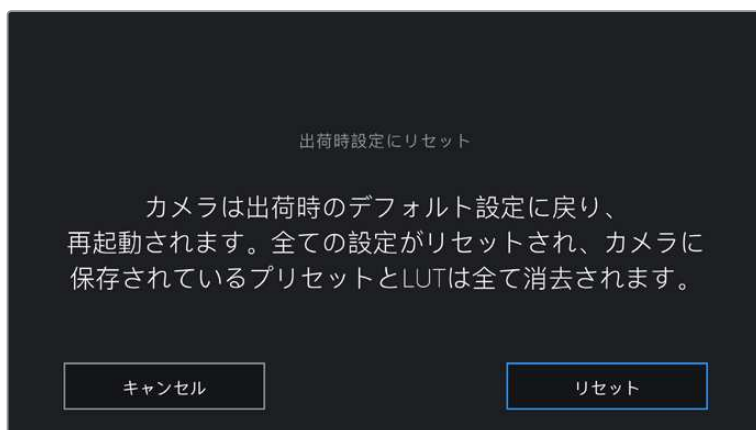
セットアップ設定 5ページ

「セットアップ (SETUP)」タブの5ページ目には、出荷時設定にリセット、ピクセルの際マッピング、水平メーターのキャリブレーションを実行するコントロールが搭載されています。



出荷時設定にリセット (FACTORY RESET)

カメラを出荷時の設定にリセットするには、「カメラ設定をリセット (Reset Camera Settings)」ボタンをタップします。確認画面で「リセット (Reset)」を押して、操作を確定します。カメラに保存されている全てのLUTとプリセットを消去し、全設定をリセットします。出荷時の設定にリセットする前に、メモリーカードにプリセットを書き出しておくことをお勧めします。出荷時設定にリセットした後に、メモリーカードからプリセットを簡単に読み込んで再びカメラで使用できます。出荷時の設定にリセットすると、水平メーターもリセットされるため、出荷時設定にリセットした後に、モーションセンサーのキャリブレーションを再度行うことで、精度が維持できます。



「リセット (Reset)」を選択すると表示される確認メッセージ。

ピクセル再マッピング (PIXEL REMAPPING)

Blackmagic Pocket Cinema CameraのCMOSセンサーは、数百万のピクセルで光を受光します。工場でセンサーキャリブレーションが行われてから時間が経過するにつれ、一部のピクセルの明るさが変化することがあります。その結果、それらのピクセルはより目立つようになり、ホットピクセルと呼ばれる状態に変化します。すべてのカメラセンサーは、製造元に関わらず、経年によりホットピクセルが生じます。

これを解決するために、カメラにはキャリブレーション機能が内蔵されており、イメージにホットピクセルがある場合に使用できます。

これを実行するには、レンズキャップを取り付け、「ピクセルを再マッピング (Remap Pixels)」ボタンを押して、ピクセル再マッピング機能を起動します。この処理には約1分かかります。

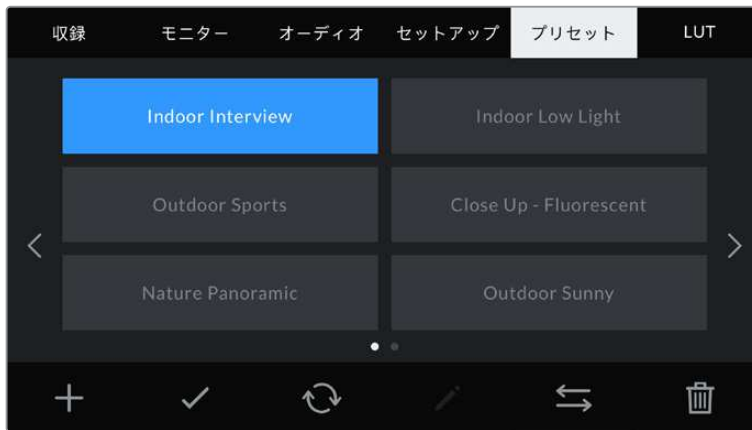
モーションセンサー・キャリブレーション (MOTION SENSOR CALIBRATION)

水平メーターのキャリブレーションを実行するには、カメラを水平な場所に置き、「モーションセンサーをキャリブレート (Calibrate Motion Sensor)」ボタンを押します。キャリブレーション実行中、カメラは安定して動いていない必要があります。この処理には約5秒かかります。

プリセット (PRESETS)

「プリセット (PRESETS)」タブでは、最大12個の設定を保存および呼び出しできます。この機能は、複数のプロジェクトでカメラを使用する場合、非常に役立ちます。例えば、ドキュメンタリーやミュージックビデオなど、タイプやプロジェクトの設定が異なる複数の撮影で同一のカメラを使用する場合などです。カメラのプリセット機能は、特定のプロジェクト/タイプの撮影の設定を保存し、必要な際にすばやく簡単に呼び出せます。12個のプリセットスロットにプリセットを保存できます。

また、プリセットの読み込み/書き出しも可能です。これは複数のカメラを使った撮影に非常に便利です。1台のBlackmagic Pocket Cinema Cameraをプロジェクトに合わせて設定し、プリセットを他のすべてのBlackmagic Pocket Cinema Cameraに書き出します。



「プリセット (PRESETS)」タブでは、保存した設定を簡単に切り替え可能。

メモ 12個までのプリセットをカメラの内部メモリーに保存できます。

プリセットボタン

「プリセット (PRESETS)」メニューの底部に表示されるボタンアイコンは、以下の機能に対応しています。

				
追加	ロード	更新	管理	削除

プリセットの保存とロード

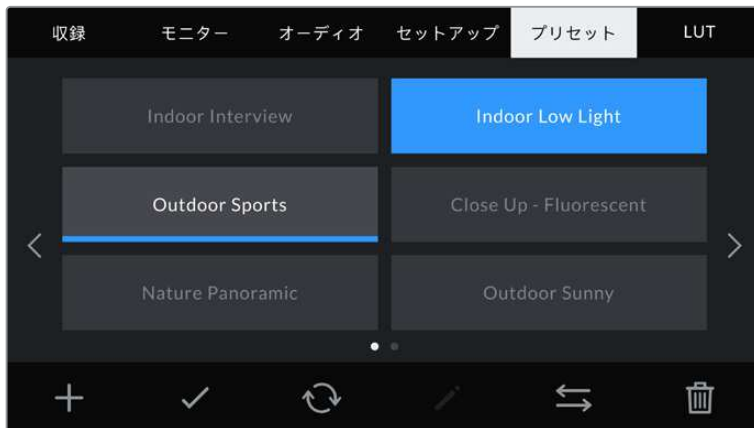
新しいプリセットを作成するには、「追加」アイコンをクリックします。これにより、LCDにタッチキーボードが表示され、プリセットの名前を入力できます。名前を入力したら、「アップデート (Update)」をタップして現在の設定を該当のプリセットに保存します。

カメラにすでに同名のプリセットがロードされている場合、既存のプリセットを上書きするか、両方キープするか選択できます。



「プリセット (PRESETS)」タブで「追加」アイコンをタップして、タッチキーボードでプリセット名を入力。

プリセットを保存したら、プリセットメニューで名前をタップして選択します。プリセットをロードするには、「ロード」アイコンをタップします。



プリセットを選択し、「ロード」アイコンをタップしてロード。選択したプリセットが青く表示されます。現在ロードされているプリセットは、アイコンの下に青いラインが表示されます。

「更新」アイコンをタップするとプリセットをアップデートできます。Blackmagic Pocket Cinema Cameraの現在の設定にプリセットをアップデートするか確認するメッセージが表示されます。「アップデート (Update)」を押して確定します。

プリセットの読み込み

プリセットを読み込むには、「プリセット (PRESETS)」メニューの下にある「管理」アイコンをタップします。「プリセットの読み込み (Import Presets)」をタップし、その後「読み込み (Import)」をタップして確定します。プリセット読み込みのスクリーンが表示されます。読み込みたいプリセットが、アクティブなカードまたはドライブがない場合、タッチスクリーンの上部のメディアボタンをタップして、収録メディアを切り替えます。プリセットは、USB-Cフラッシュディスク、CFast、SDカードから読み込めます。

カメラは、選択したメディアのルートディレクトリと「Presets」フォルダーを検索し、使用可能なプリセットをリストアップします。他の場所に保存されているプリセットは表示されません。

プリセットをタップして選択し、「読み込み (Import)」をタップして確定した後、次に使用可能なスロットにコピーします。

メモ カメラの12個のプリセットスロットすべてが使用されている場合、読み込みメニューは使用できません。既存のプリセットを削除して、スロットを空ける必要があります。

すでに同名のプリセットがカメラに保存されている場合、既存のプリセットを上書きするか、両方キープするか選択できます。スクリーンの右上に、カメラで使用できる残りの空きプリセットスロット数が表示されます。カメラに読み込めるプリセット数は、空のスロット数のみです。

プリセットの書き出し

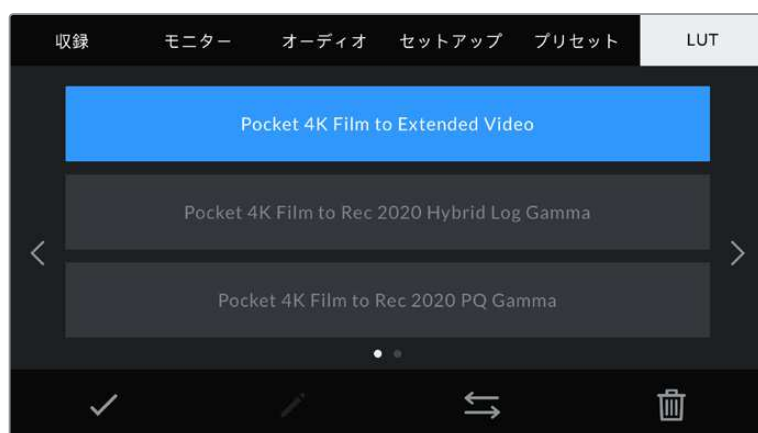
プリセットをカードやUSB-Cフラッシュディスクに書き出すには、書き出しを行うプリセットを選択し、その後「管理」アイコンをタップします。「選択したプリセットの書き出し (Export Selected Preset)」をタップし、その後プリセットを書き出したいメディアをタップします。同名のプリセットがすでに存在する場合、既存のプリセットを上書きするか、両方キープするか選択します。カメラがプリセットを「Presets」フォルダーに書き出します。

プリセットの消去

プリセットを消去するには、選択して「消去」アイコンをタップします。確認メッセージが表示されたら、「消去 (Delete)」をタップします。

3D LUT

「LUT (LUTS)」メニューでは、3D LUTの読み込み、書き出し、カメラ出力への適用が可能です。



カメラのLUTタブを使って3D LUTを選択。

3D LUTについて

3D LUTは、カメラのLCDタッチスクリーンおよびHDMI出力のイメージに適用できます。LUTは、特定のカラー/ルミナンス入力に対して、カメラで表示するカラー/ルミナンス出力を指定します。例えば、カメラの入力が比較的くすんだブルーの場合に、LUTを使用すれば鮮やかで彩度の高いブルーで表示できます。この機能は、Blackmagic RAWフッターの収録やFilmダイナミックレンジを使用する収録など、意図的に彩度の低いフラットなルックを収録する場合に便利です。LUTを適用することで、グレーディング後のフッターのルックを想定できます。

3D LUTは、DaVinci Resolveやその他のカラーコレクションソフトウェアで簡単に作成できます。またはオンラインでもLUTを様々な提供元からダウンロードできます。カメラには、17ポイントまたは33ポイントの3D LUTを10個まで保存できます。それぞれの最大サイズは1.5メガバイトです。ロードしたLUTは、カメラのLCDタッチスクリーンおよびHDMI出力に適用して表示できます。

Blackmagic Pocket Cinema Cameraは、DaVinci Resolveで作成した.cubeフォーマットの33ポイント3D LUT、さらにLUT変換プログラムでResolveの.cubeフォーマットに変換した17ポイント3D LUTをサポートしています。カメラの3D LUTは高品質の四面体補間法を使用します。

作業のこつ LUT表示に関する詳細は、このマニュアルの「モニター設定 (MONITOR)」セクションを参照してください。

メモ Blackmagic Pocket Cinema Cameraは、デフォルトでは収録されたフッテージにLUTの適用や焼き付けを行いません。しかし、フッテージにLUTを焼き付けるように選択できます。

これは、ポストプロダクションでフッテージをグレーディングする時間がない場合や、クライアントやエディターに直接フッテージを渡す必要がある場合に便利です。

LUTをセットでプレビュー用に使用している場合、適用されているLUTの情報がメタデータとして、収録されたイメージに保存されます。DaVinci Resolveは、この情報をメタデータタブの「使用LUT」に表示します。これは、セットで使用されたLUTの名前を確認できるのでカリストにとって便利な機能です。

内蔵LUT

多数のLUTが内蔵されているため、「Film」ダイナミックレンジまたはBlackmagic RAWで撮影している際のプレビューに異なるルックを適用できます。

各カメラはセンサー特有のLUTを搭載しています：

Pocket 4K Film to Extended Video / Pocket 6K Film to Extended Video

「Pocket 4K Film to Video」または「Pocket 6K Film to Video」LUTより広いダイナミックレンジで表示され、穏やかなコントラスト変化を適用し、ハイライトが滑らかにロールオフされます。

Pocket 4K Film to Rec 2020 Hybrid Log Gamma / Pocket 6K Film to Rec 2020 Hybrid Log Gamma

REC 709とLogイメージの中間のハイブリッドを表示します。

Pocket 4K Film to Rec 2020 PQ Gamma / Pocket 6K Film to Rec 2020 PQ Gamma



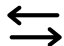

人間の目が感知できるカラーに基づいたガンマカーブで表示され、HDRイメージを効率的にエンコードします。

Pocket 4K Film to Video / Pocket 6K Film to Video

HDビデオ用のREC 709カラー標準規格と似ており、高いレベルのコントラストと彩度を使用したLUTです。REC 709カラースペースを使用する他の放送用カメラと共に、Blackmagic Pocket Cinema Cameraを使用する場合に便利な設定です。

LUTボタン

カメラのLUTメニューのボタンアイコンは、以下の機能に対応しています。

			
ロード	メディア	管理	削除

LUTの読み込み

3D LUTを読み込むには、LUTメニューの下にある「管理」アイコンをタップします。「LUTの読み込み (Import LUT)」をタップし、その後「読み込み (Import)」をタップして確定します。LUT読み込みのスクリーンが表示されます。読み込みたい3D LUTが、アクティブなカードまたはドライブにない場合、タッチスクリーンの上部のメディアボタンをタップして、収録メディアを切り替えます。LUTは、USB-Cフラッシュディスク、CFast、SDカードから読み込めます。

カメラは、選択したメディアのルートディレクトリと「3DLUTS」フォルダーを検索し、使用可能なLUTをリストアップします。他の場所に保存したLUTは表示されません。

LUTをタップして選択し、「読み込み (Import)」をタップして確定した後、次に使用可能なスロットにコピーします。

メモ 新しいLUTを読み込む際、10個の3D LUTスロットすべてが使用されている場合、既存のLUTを消去する必要があります。

すでに同名のLUTがカメラに保存されている場合は、既存のLUTを上書きするか、両方を保存するか選択できます。スクリーンの右上に、カメラで使用できる残りの空きLUTスロットの数が表示されます。カメラに読み込めるLUTの数は、空のスロット数のみです。

メモ LUTを読み込めない場合、サイズに問題がある可能性があります。LatticeなどのLUT編集ツールを使用してサイズを確認するか、コンピューターのテキストエディターでLUTを開きます。"LUT_3D_SIZE"タグの隣にLUTのサイズを示す数字があります。この値が17または33以外である場合は、Latticeを使用して3D LUTのサイズを17ポイントに変更してください。

LUTの適用

LUTをカメラに保存したら、LUTメニューでLUTをタップして選択し、さらに「ロード」ボタンをタップします。これで選択したLUTがカメラのすべての出力で有効になります。カメラの出力にロードしたLUTを表示するには、モニターメニューの「LUT表示 (Display LUT)」を有効にします。詳細は「モニター設定 (MONITOR)」セクションを参照してください。

LUTの書き出し

LUTをカードやUSB-Cフラッシュディスクに書き出すには、書き出しを行うLUTを選択し、その後「管理」アイコンをタップします。「選択したLUTの書き出し (Export Selected LUT)」をタップし、その後LUTを書き出したいメディアをタップします。同名のLUTがすでに存在する場合、既存のLUTを上書きするか、両方キープするか選択します。カメラがLUTを「3DLUTs」フォルダーに書き出します。

LUTの削除

必要ないLUTを削除するには、削除したいLUTを選択して削除アイコンをタップします。確認メッセージが表示されたら、「消去 (Delete)」ボタンをタップします。

エンベデッド3D LUT

Pocket Cinema Cameraで、Blackmagic RAWで撮影する際に3D LUTを適用すると、選択したLUTは収録しているBlackmagic RAWファイルにエンベッドされます。3D LUTは.brawファイルのヘッダーに保存され、個別のファイルを扱う必要なく、ポストプロダクションで簡単にフッターに適用できます。

エディターやカラリストはBlackmagic RAWファイルを受け取ると、撮影中に使用されたLUTに簡単にアクセスできるため、異なる3D LUTが適用されるのを防げます。フッターの編集やグレーディングを進めながら、3D LUTを適用するかどうか選択できます。また、3D LUTはいつでも無効にできます。

「ファイルにLUTを適用 (APPLY LUT IN FILE)」スイッチが収録 (RECORD) メニューでオンになっている場合、収録されたクリップをBlackmagic RAW PlayerおよびDaVinci Resolveで開くと、選択した3D LUTが適用された状態で表示されます。

3D LUTは簡単にオン/オフできますが、クリップ自体に情報が存在するため、移動させてもBlackmagic RAWファイルに常に伴います。DaVinci ResolveのRAW設定のパレットにも「LUTを適用」スイッチがあり、Blackmagic RAWファイルの3D LUTを有効/無効にできます。

DaVinci Resolveの「LUTを適用」設定はカメラの設定と同様に機能します。これは、撮影時にカメラでLUTを設定して使用することで、直接カラリストに指示ができることを意味しますが、DaVinci Resolveの「LUTを適用」設定で簡単にLUTをオフにすることも可能です。

メタデータ入力

メタデータはクリップの中に保存される情報で、テイク番号、カメラ設定、その他の識別情報などが含まれます。メタデータは、ポストプロダクションでのフッターの分類や処理に極めて便利です。例えば、テイク/ショット/シーン番号はクリップの管理において必須であり、レンズに関する情報は歪みの自動除去やVFX素材とプレートのマッチングで役に立ちます。

Blackmagic Pocket Cinema Cameraは、クリップにいくつかのメタデータ（カメラ設定、タイムコード、日時など）を自動的に保存します。ユーザーはカメラのスレートを使用して自由にデータを追加できます。

スレート

メインの画面で、カメラのタッチスクリーンを左右にスワイプするとスレートが表示されます。

スレートは「クリップ (CLIPS)」と「プロジェクト (PROJECT)」に分かれています。「クリップ (CLIPS)」タブではクリップごとに異なる情報を確認できます。「プロジェクト (PROJECT)」タブではプロジェクト名、監督、カメラID、オペレーターIDなど、クリップ間で共通する情報を入力できます。

作業のこつ スレートに入力したメタデータは、ビューを「監督 (Director)」に設定するとHDMI出力で確認できます。詳細は、このマニュアルの「モニター設定 (MONITOR)」セクションを参照してください。

「クリップ (CLIPS)」メタデータ

クリップメタデータの変更は、スタンバイモードか再生モードかにより機能の仕方が異なります。スタンバイモードでは、カメラが収録する準備ができた際に、クリップメタデータは次に収録されるクリップに保存されます。ただし、「グッドテイク - 最後のクリップ (GOOD TAKE LAST CLIP)」は、直近に撮影されたクリップに「グッドテイク (GOOD TAKE)」を適用します。再生モードでは、撮影したフッターを確認している際に「グッドテイク (GOOD TAKE)」ボタンが表示され、クリップメタデータは常に、現在見ているクリップに適用されます。



カメラが再生モードの場合、「スレートの対象クリップ (SLATE FOR)」には操作が適用されるクリップが表示され、「グッドテイク (GOOD TAKE)」ボタンが表示されます。スタンバイモードの場合、「スレートの対象クリップ (SLATE FOR)」は次のクリップになり、「グッドテイク - 最後のクリップ (GOOD TAKE LAST CLIP)」ボタンが表示されます。

スレートの対象クリップ (SLATE FOR)

「クリップ (CLIPS)」タブで現在表示しているメタデータが適用されるクリップです。再生モードでは現在のクリップに適用され、スタンバイモードでは次に収録されるクリップに適用されます。

レンズデータ (LENS DATA)

カメラに装着しているレンズに関する情報です。電子レンズの多くは、レンズモデル、アパーチャー、焦点距離などの情報を自動的に提供します。レンズからこれらの情報が得られない場合や、追加データを入力したい場合は、鉛筆のアイコンをタップすると、情報をマニュアルで入力できます。この操作により、以下の情報を含むレンズデータメニューが表示されます：



「レンズデータ (LENS DATA)」メニューでは、取り付けられたレンズからの情報と、マニュアルで入力したフィルター情報を自動的に表示。

・ レンズの種類 (LENS TYPE)

レンズのモデルが表示されます。レンズのモデルが自動的に表示されない場合は、この設定をタップしてデータをマニュアルで入力できます。カメラの内部データベースには、広く使用されているレンズが多く保存されているので、マニュアルで入力し始めると自動的に名前の候補が提案されます。これにより入力作業が短縮されます。



データが自動的に表示されない場合は、タッチキーボードでレンズデータをマニュアルで入力できます。

・ アイリス (IRIS)

クリップの開始点でのアパーチャー設定を表示します。この情報が自動的に供給される場合は、使用しているレンズによってF値またはT値で表示されます。この設定をタップするとデータをマニュアルで入力できます。

- ・ **焦点距離 (FOCAL LENGTH)**

収録クリップの開始点におけるレンズの焦点距離を表示します。データが自動的に供給される場合は、ミリメートル (mm) 単位で表示されます。この設定をタップすると焦点距離をマニュアルで入力できます。

- ・ **距離 (DISTANCE)**

収録クリップのレンズの焦点距離設定を表示します。レンズによってはこのデータが自動的にミリメートル (mm) 単位で表示されます。このデータはマニュアルで入力することも可能です。

- ・ **フィルター (FILTER)**

現在使用しているレンズフィルターを表示します。この設定をタップするとデータをマニュアルで入力できます。複数入力する場合は、コンマで区切ります。



フィルター情報はマニュアルで入力します。

メモ レンズデータは、「レンズデータ (LENS DATA)」メニューの「レンズデータをリセット (Reset Lens Data)」アイコンをタップしていつでも消去できます。この作業を確定するメッセージが表示されます。確定すると、すべてのレンズデータが消去され、現在使用しているレンズからのレンズデータが自動的に表示されます。これらのフィールドにマニュアルで情報を入力した場合、次回レンズをマウントする際にレンズデータをリセットする必要があります。リセットを行わないと、マニュアル入力した値が保持されます。

リール (REEL)

現在のリールを表示します。

Blackmagic Pocket Cinema Cameraはリール番号を自動的に増加していくため、通常はマニュアルで入力する必要はありません。新しいプロジェクトに移行して、改めてリール1から開始したい場合は、スレートの「プロジェクト (PROJECT)」タブへ行き、「データをリセット (Reset Project Data)」をタップします。

シーン (SCENE)

「シーン (SCENE)」インジケータには現在のシーン番号が表示されます。さらに、現在のショットの番号および種類も表示できます。

このインジケータの番号は、常に現在のシーンを参照しています。この番号は、シーン番号の隣にある左右の矢印を使用して変更できます。またはシーン番号をタップして、シーン番号エディターに進みます。

シーン番号は1~9999です。

現在のショットを特定するために、シーン番号エディターでシーン番号に文字を追加することも可能です。例えば"23A"と入力することで、シーン23のショット1であることが分かります。すでにシーン番号に文字を追加している場合、カメラはシーン番号エディターに入力をするたびに、次のシーン番号と文字の候補を提案します。例えば現在のシーン番号が7Bである場合、カメラは"8"と"7C"を表示します。

シーン番号インジケータは、右上に現在のショットの種類に関する情報を表示することもできます。これらの選択は、シーン番号エディターのショットキーボードの右側で行います。

以下は選択できるショットタイプです。

WS	ワイドショット
MS	中間距離のショット
MCU	中間距離のクローズアップ
CU	クローズアップ
BCU	近いクローズアップ
ECU	極めて近いクローズアップ



シーンメタデータの入力では、カメラはタッチキーボードの左にシーン番号の候補、右側にショットタイプを表示。

テイク (TAKE)

「テイク (TAKE)」インジケータには、現在のショットのテイク番号が表示されます。テイク番号は左右の矢印をタップして変更できます。または同インジケータをタップして、テイク番号エディターに進みます。

作業のこつ ショット番号またはシーンの文字が進むと、テイク番号は1に戻ります。

テイク番号エディターでは、概要情報を追加できます。これらはテイク番号キーボードの右側にあり、それぞれ以下を意味しています。

P/U ピックアップ。メインの撮影が終わった後、前のテイクに素材を追加するために撮り直したテイクです。

VFX ビジュアルエフェクト。VFXに使用するテイク/ショットです。

SER シリーズ。カメラを止めずに収録した複数のテイクです。



「テイク (TAKE)」メタデータを入力すると、Blackmagic Pocket Cinema Cameraはタッチキーボードの右側に追加のショットタイプのプロンプトを表示します。

グッドテイク (GOOD TAKE)

「グッドテイク (GOOD TAKE)」インジケーターをタップしてタグ付けしておくと、ポストプロダクションで良いテイクを見つけやすくなります。このボタンは、再生モードで現在表示しているクリップに「グッドテイク (GOOD TAKE)」をタグ付けします。カメラがスタンバイモードで、収録準備ができている場合、「グッドテイク - 最後のクリップ (GOOD TAKE LAST CLIP)」ボタンを押すと、最後に収録されたクリップに「グッドテイク」がタグ付けされます。

屋内/屋外 (INT/EXT)

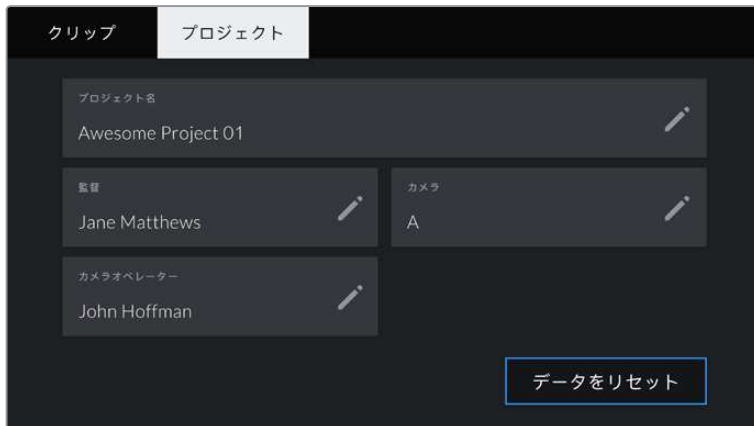
「屋内 (INT)」または「屋外 (EXT)」をタップすると、スタンバイモードでは次に収録されるクリップに、再生モードでは現在のクリップに「屋内」または「屋外」のタグを付けられます。

昼/夜 (DAY/NIGHT)

「昼 (DAY)」または「夜 (NIGHT)」をタップすると、スタンバイモードでは次に収録されるクリップに、再生モードでは現在のクリップに「昼」または「夜」のタグを付けられます。

「プロジェクト (PROJECT)」メタデータ

プロジェクトメタデータは、スタンバイモードでも再生モードでも同じように機能します。プロジェクトメタデータは常にプロジェクト全体を参照し、クリップ番号から独立したメタデータです。



カメラの「プロジェクト (PROJECT)」スレートでプロジェクトの詳細を入力。

プロジェクト名 (PROJECT NAME)

現在のプロジェクトの名前を表示します。鉛筆アイコンをタップして、プロジェクト名を変更できます。

監督 (DIRECTOR)

現在のプロジェクトの監督名を表示します。鉛筆アイコンをタップすると、監督名を変更できます。

カメラ (CAMERA)

アルファベット一文字のカメラインデックスを表示します。鉛筆アイコンをタップして、カメラインデックスを変更できます。

カメラオペレーター (CAMERA OP)

カメラオペレーターを表示します。鉛筆アイコンをタップすると、カメラオペレーターを変更できます。

カメラのビデオ出力

HDモニタリング出力

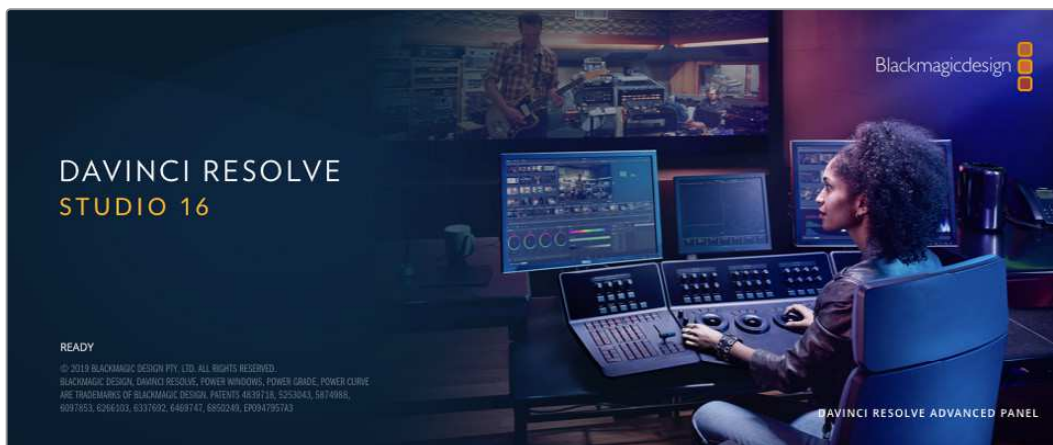
カメラのフルサイズHDMIコネクタは1080p HDビデオを出力するため、イメージのプレビュー用にモニターだけでなく、民生用テレビも簡単に接続できます。10-bit出力はHDRに対応しています。また、カメラの全ステータスが確認可能なスクリーンオーバーレイを使用できるため、オンセットでのモニタリングに最適です。

鳥瞰撮影やカーマウント、クレーンマウントの使用時など、LCDスクリーンへのアクセスが困難な場合、HDMIモニタリングが役立ちます。ディスプレイ設定メニューのHDMIオーバーレイ設定を使用すると、モニタリングに役立つ情報がHDMIフィードに表示されます。HDMIオーバーレイには、フレームガイドや、撮影の詳細、カメラ設定などの情報が含まれます。単にショットをモニタリングしたい場合は、いつでもオーバーレイ設定をオフにして、クリーンHDMIフィードを出力できます。

Blackmagic Micro Converter HDMI to SDIのようなコンバーターを使用することで、信号をSDIに変換できるため、SDIモニター、キャプチャーデバイス、放送スイッチャー、その他のSDI機器に接続できます。Blackmagic Pocket Cinema CameraのUSBポートからBlackmagic Micro Converter HDMI to SDIに給電することも可能です。

DaVinci Resolveの使用

Blackmagic Pocket Cinema Cameraを使用した撮影は、映画/テレビコンテンツ制作の過程のひとつに過ぎず、メディアのバックアップや管理、編集、カラーコレクション、最終マスターファイルのエンコードも同様に極めて重要な作業です。Pocket Cinema Cameraは、DaVinci Resolve (macOS/Windows対応)を同梱しているため、完結型のソリューションとして撮影からポストプロダクションまでをカバーします！



メモ Blackmagic Pocket Cinema Cameraで撮影したクリップのカラーコレクションやグレーディングを正確に行うために、最新版のDaVinci Resolveを使用することを推奨します。バージョン16以降を使用することで、すべてのBlackmagicカメラおよび最新のBlackmagic RAWにおいて正確なカラーが得られます。

CFast、SDカードあるいはSSDをコンピューターに接続したら、DaVinci Resolveのメディアページでクローンツールを使用して、撮影を行いながら継続的にバックアップを作成できます。使用するメディアはその種類に関わらず、破損や不具合が生じる可能性があります。ショットの損失を防ぐため、常にデータのバックアップを作成することをお勧めします。DaVinci Resolveでメディアをバックアップしたら、DaVinciのメディアプールにクリップを追加して、編集やカラーコレクション、作品のフィニッシングまで、すべての作業をDaVinci Resolveで行えます。

DaVinci Resolveは、多くの大ヒット映画で使用されています。シンプルなNLEソフトウェアツールとは異なり、ハイエンドのデジタルフィルム用に極めて高度なテクノロジーを搭載しています。DaVinci Resolveを使用すれば、最先端のテクノロジーを利用した編集やカラーコレクションが実現します。

このセクションでは、DaVinci Resolveでカメラのファイルを使用する方法を説明します。DaVinci Resolveには極めて高度なテクノロジーが採用されており、その機能の多くはユーザーインターフェースを一目見ただけでは分かりません。DaVinci Resolveの使用方法に関する詳細は、BlackmagicウェブサイトのDaVinci Resolveインストラクション・マニュアルを参照してください。トレーニングコースやガイドビデオも多数掲載しています。

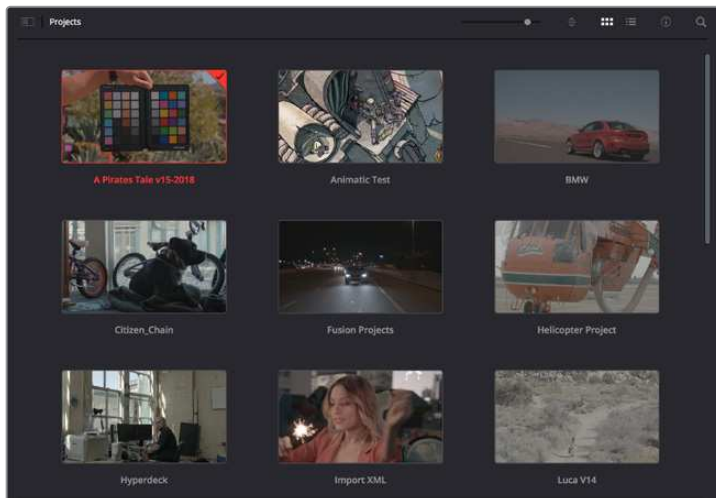
プロジェクトマネージャー

クリップを読み込んで編集を開始する前に、プロジェクトマネージャーでプロジェクトをセットアップする必要があります。

プロジェクトマネージャーは、DaVinci Resolveの起動時に最初に表示される画面です。この画面は、ユーザーインターフェース右下のホームアイコンをクリックすると、いつでも開くことができます。これは、前のプロジェクトを開いたり、新しいプロジェクトを作成したい場合に便利な機能です。

新しいプロジェクトを作成するには、ウィンドウ底部の「新規プロジェクト」をクリックし、プロジェクト名を設定します。「作成」をクリックします。

では、カットページを使用して、編集作業を早速開始しましょう。



プロジェクトマネージャーは、現在のユーザーのすべてのプロジェクトを表示。

プロジェクトマネージャーの詳細は、DaVinci Resolveマニュアルを参照してください。同マニュアルは、Blackmagic Designウェブサイトのサポートページからダウンロードできます。

カットページを使用した編集

カットページでは、高速でダイナミックな編集ワークフローを実現できます。クリップの配列、トリム、編集が効率的に実行できます。

アクティブなタイムラインが2つ表示されるため、編集全体を確認しながら、部分的にクリップの詳細を編集できます。つまり、大きなタイムラインにクリップを編集し、詳細を表示するタイムラインで編集を微調整する作業が、一つのワークスペースで実行できます。このワークフローでは、ラップトップで編集を進めるにあたって、ズームインやズームアウト、画面のスクロールをする必要がないため、時間を大幅に節約することも可能です。

カットページのレイアウト

カットページを開くと、メディアプール、ビューア、タイムラインが表示されます。これら3つを使用して、



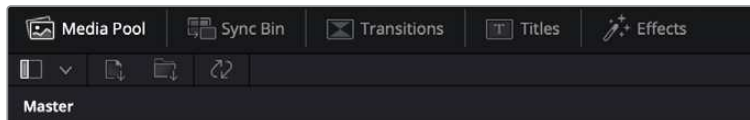
カットページのデフォルトワークスペース。メディアプールがアイコンで表示された状態。

カットページの詳細は、DaVinci Resolveマニュアルの「Using the Cut Page (カットページを使用)」
チャプターを参照してください。

メディアタブ

ユーザーインターフェースの左上には5つのタブがあります。

これらのタブをクリックすると、編集を作成する際に使用するメディアツールセットが開きます。例えば、最初のタブであるメディアプールはすでに選択されています。それ以外のタブは、同期ビン、トランジション、タイトル、エフェクトです。



- **メディアプール**: メディアプールは、メディアページで読み込んだすべてのクリップ、フォルダー、ファイルを含んでいます。また、カットページから直接ファイルを読み込めるため、新しいクリップを読み込む際にメディアページに戻る必要はありません。
- **同期ビン**: 全てのクリップをタイムコード、日付、時間に基づき自動的に同期するパワフルな機能です。マルチカメラのプロジェクトで全カメラからのアングルを選択する際に威力を発揮します。
- **トランジション**: このタブをクリックすると、編集で使用可能なすべてのビデオおよびオーディオトランジションが表示されます。これには、クロスディゾルブやモーションワイプなどの広く使われているトランジションが含まれます。
- **タイトル**: トランジションタブの隣はタイトルタブです。ここで、使用したいタイトルの種類を選択できます。例えば、スクロール、標準テキスト、ローワーサードなどです。また、Fusionのテンプレートもリスト表示されます。これは、アニメーションを用いた、よりダイナミックなタイトルで、DaVinci ResolveのFusionでカスタマイズできます。
- **エフェクト**: 5つ目のタブは、エフェクトタブです。編集に面白みを加えるフィルターやエフェクトを多数搭載しています。これには、カスタマイズ可能なブラー、グロー、レンズエフェクトなどが含まれます。多くのパワフルなエフェクトから選択でき、検索ツールで簡単に探しているエフェクトを見つけられます。

作業のこつ メディアタブのアイコンの近くにある検索ツールで、必要なアイテムを検索できます。例えば、トランジションタブを選択している場合、「ディゾルブ」と検索ツールに打ち込むと、ビューアにディゾルブトランジションのみが表示されるため、必要なディゾルブトランジションをリストの中からすばやく見つけられます。




ビューアタブ

ビューアウィンドウの左上に、ビューアモードのボタンがあります。



ビューアモードのボタン

これらのボタンで、現在使用しているビューアをコントロールできます。オプションは、「ソースクリップ」、「ソースステップ」、「タイムライン」の3つです。これらのモードを使い分けることで、編集でクリップを選択する上で多大なコントロールが得られるため、各モードの機能の仕方を以下で確認しておくことをお勧めします。



	ソースクリップ	ソースクリップビューアは、メディアプールの単一のクリップを表示します。ビューアタイムラインの長さいっぱいを使って、イン点とアウト点を設定できます。より詳細にわたるコントロールが可能です。メディアプールのクリップをダブルクリックするか、ビューアにドラッグして、表示するソースクリップを選択します。
	ソースステップ	ソースステップでは、メディアプールの全ソースクリップを表示できます。特定の箇所を探すために、すべてのクリップをすばやくチェックしたい場合に役立つ機能です。クリップ上で再生ヘッドをスクラブすると、メディアプールで選択されたサムネイルが表示されます。編集したいクリップを見つけたら、ソースクリップタブをクリックすると、該当のソースクリップがビューアに自動的に表示されます。 ソースステップビューアは、ノンリニア編集の利点を活かした作業が行えます。編集で自在に作業ができ、ショットをすばやく見つけることができ、新しいアイデアを試し、移動や切り替えをせずに編集作業を実行できます。
	タイムライン	タイムラインビューアには編集タイムラインが表示されるため、プロジェクトを再生して、編集を微調整するために使用できます。

メディアプールにクリップを読み込む

次は、プロジェクトにメディアを読み込みます。この作業には、カットページのメディアプールウィンドウ上部にある、読み込みツールを使用します。



読み込みオプションを使用して、プロジェクトにメディアを追加。

	メディアの読み込み	このオプションでは、ストレージロケーションから選択された各メディアファイルを読み込みます。
	メディアフォルダーの読み込み	メディアストレージからフォルダーを読み込むには、このオプションを選択します。フォルダーを読み込むにあたり、DaVinci Resolveはファイル構造を維持し、各フォルダーを個別のピンとして扱うため、ビデオやその他のメディアファイルを探すために複数のピンの間を行き来できます。

メディアを読み込む：

- 1 「メディアの読み込み」または「メディアフォルダーの読み込み」アイコンをクリックします。
- 2 読み込みたいメディアのあるメディアストレージまで進みます。
- 3 ファイルまたはフォルダーを選択し、「開く」をクリックします。

プロジェクトにメディアを追加したら、変更を保存します。DaVinci Resolveは「ライブ保存」と呼ばれる、高速の自動保存機能を搭載しています。プロジェクトを一度保存したら、その後に適用された変更は「ライブ保存」により保存されるため、作業内容が失われるリスクが減ります。

「ライブ保存」やその他の自動保存機能に関しては、DaVinci Resolveマニュアルを参照してください。

クリップをタイムラインに追加

メディアタブおよびビューアモードのボタンの使用方法を理解したので、次はメディアプールを開き、タイムラインにクリップを追加します。



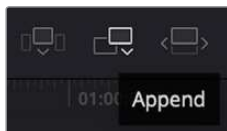
カットページのタイムライン。(上) タイムラインと(下) ズームインしたタイムラインの2つが表示される。

タイムラインは、編集を形作る場所で、クリップを配置するトラックが組み込まれたボードのようなものです。このボード上でクリップを色々と移動させたり、編集をトリミングしたりします。トラックは、クリップを積み重ねて表示するため、異なる編集を試したり、トランジションやエフェクトを構成する上で、より高い柔軟性が得られます。例えば、ひとつのトラックのクリップに編集を適用しても、その下のトラックにある他のクリップに影響を与えません。

タイムラインにクリップを追加する方法は多数あり、「スマート挿入」、「末尾に追加」、「最上位トラックに配置」はその一例です。

クリップの追加

テイクを選択し、編集を組み立てる作業を行う上で、タイムラインにショットを次々と順番に追加していきたいはずですが、「末尾に追加」ツールは、この作業に最適で、編集を高速に実行できます。



「末尾に追加」アイコンをクリックして、最後のクリップの末尾にクリップを追加。

クリップを追加する：

- 1 メディアプールのクリップをダブルクリックして、ビューアで開きます。
- 2 スクラッチトリム・ツールを使用して、イン点とアウト点をドラッグして、ショットの使用したい範囲を正確に選択します。キーボードの「I」および「O」を押しても、イン点とアウト点を設定できます。

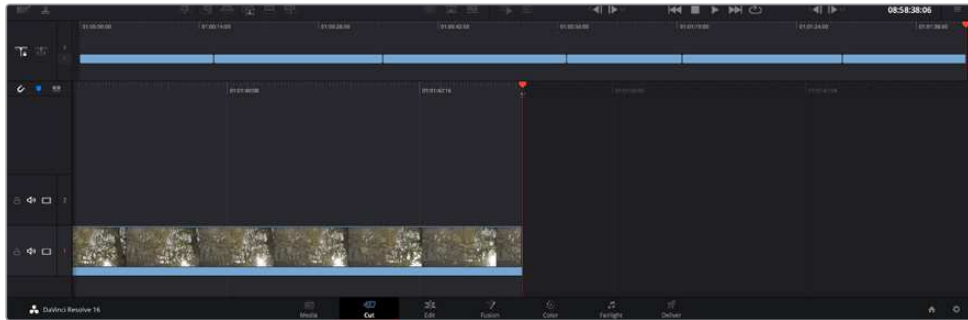


- 3 メディアプールの下の「末尾に追加」アイコンをクリックします。



最初のクリップがタイムラインの先頭に配置されます。

クリップをさらに追加するにはステップ1から3を繰り返します。追加するクリップは、タイムライン上にすでに存在するクリップの末尾に自動的に追加され、ギャップは生じません。



「末尾に追加」でクリップを追加すると、タイムラインのクリップ間にギャップが生じない。

作業のこつ 「末尾に追加」アイコンにキーボードショートカットを割り当てることで、作業をさらに効率化できます。例えば、「P」キーを割り当てると、「I」および「O」でイン点とアウト点を設定し、「P」でクリップを追加できます。ショートカットキーの割り当て方法は、DaVinci Resolveマニュアルを参照してください。

タイムラインでクリップを編集する

タイムラインにクリップを追加したので、クリップを移動し、編集を開始できるようになりました。

編集をトリミングするには、クリップの先頭または末尾をクリックし、左右にドラッグします。クリップを左右にドラッグすることで、クリップの長さを延長したり、短縮できます。その編集箇所に後続するクリップすべてが、変更に対応するためにタイムライン上で連動して動きます。これは、カットページが時間を節約する上で役立つ機能のひとつです。

該当のクリップを選択して、大きなタイムラインの新しいビデオトラックに編集することも可能です。この作業を行うために、ズームインやズームアウトする必要はありません。これは、長いタイムラインをナビゲートする時間を最小限に抑えられるため、編集作業を高速化できます。

カットページでクリップの編集が終わったら、タイトルを追加する作業に移ります。その手順は、次のセクションで紹介します。

タイトルの追加

タイムラインにタイトルを配置するのは簡単で、その方法は多数あります。

使用可能なタイトルの種類を確認するには、ユーザーインターフェース左上のタイトルタブをクリックします。選択ウィンドウに様々なタイトルジェネレーターがリストアップされます。オプションには、ローワースード、スクロール、標準テキストタイトルが含まれます。また、アニメートされたFusionタイトルも追加できます。Fusionタイトルは様々にカスタマイズ可能です。

例として、標準的なタイトルの追加方法を紹介します。

以下の手順に従います：

- 1 「テキスト」タイトルをクリックし、タイムラインにドラッグします。どのタイムラインにドラッグするかは問いませんが、より高い正確性を得るためには、詳細を表示するタイムラインを使用することをお勧めします。タイトルの新しいビデオトラックが自動的に作成され、再生ヘッドにスナップします。
- 2 マウスをリリースすると、タイトルが新しいトラックに表示されます。他のビデオクリップと同様に、タイトルは配置場所の移動や長さの変更が可能です。
- 3 タイトルを編集するには、新しいタイトルクリップをクリックすると、ツールアイコンがビューアの下に表示されます。ツールアイコンをクリックします。
タイトルクリップの変更に使用できるツールの一覧が表示されます。これには、変形、クロップ、ダイナミックズームなどが含まれます。ここでは、「タイトル」ツールをクリックします。
- 4 「インスペクタを開く」をクリックします。

インスペクタウィンドウが開くので、タイトルを入力し、テキスト設定を編集できます。例えば、トラッキング、行間、フォントの種類、色などを調整できます。

思い通りのタイトルを作成できるように、カスタマイズ可能なオプションが多数搭載されています。様々な設定を使ってみて、タイトルの見た目や形がいかに変わるか試してみることをお勧めします。

Blackmagic RAWファイルの使用

Blackmagic RAWクリップは、ポストプロダクションにおいて最大の柔軟性が得られ、カメラのオリジナルの設定を変更するかのようにホワイトバランスやISOの設定を調整できます。Blackmagic RAWにはハイライトやシャドウの色調情報が豊富に維持されているため、白飛びした空やイメージ内の暗い領域などのディテールを修復する際にも役立ちます。

可能な限り最高の品質を求めている場合や、ハイライトとシャドウの差が極めて大きく、それらの領域をできるだけ暗く/明るくグレーディングで調整したい場合などは、Blackmagic RAWでの撮影をお勧めします。

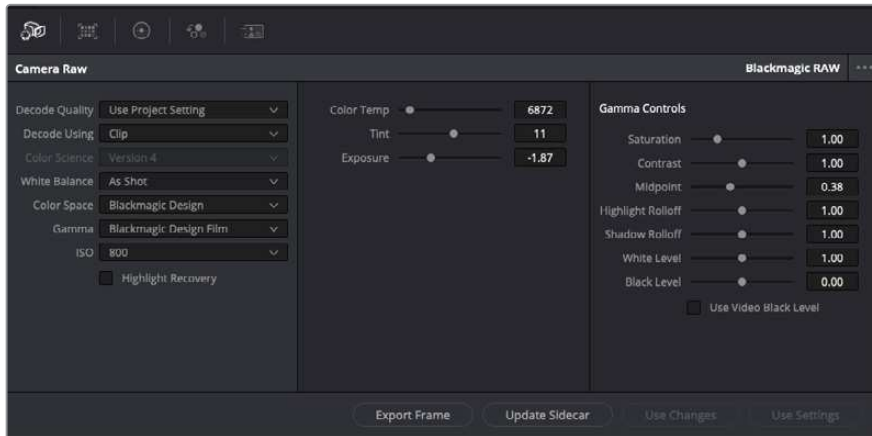
高速で小さなファイルサイズを実現するBlackmagic RAWでは、プロキシファイルを作成する必要がなく、通常のビデオクリップのように再生できます。このセクションでは、Blackmagic RAWの詳細、およびDaVinci ResolveでのBlackmagic RAWの使用方法を紹介します。

作業のこつ カラーグレーディングを始める前に、カラーページでクリップのBlackmagic RAW設定を調整することを習慣づけることをお勧めします。

Blackmagic RAWのクリップ設定

Blackmagic RAWファイルを読み込むと、DaVinci Resolveはファイルに含まれるカメラデータを、撮影時に使用されたISO、ホワイトバランス、テント設定に基づいてデコードします。それらの設定に基づいたルックに問題がなければ、そのまますぐに編集を開始できます。

しかし、Blackmagic RAW収録のすばらしい点は、これらの設定に束縛される必要がまったくないことです！Blackmagic RAWファイルでは、ポストプロダクションで使用できる処理の幅が広がるため、独自のワークフローを構築できます。各クリップで「カメラRAW」タブの「クリップ」設定を色々と試してみると、Blackmagic RAWでの作業がいかにパワフルで柔軟性に富むものか分かるはずですよ。



「カメラRAW」タブで「デコードに使用」ドロップダウンメニューで「クリップ」を選択し、クリップのBlackmagic RAW設定を調整。

DaVinci ResolveでBlackmagic RAWのクリップ設定を有効にすると、クリップ設定とガンマコントロールが使用できるようになります。これらの設定を調整することで、クリップを完全なプライマリーグレーディングを行なった状態に近づけることができます。DaVinci Resolveのスコープを使用している際に、特にこれはパワフルです。スコープは、クリップにルックを適用する前に、クリップをニュートラルにし、バランスを取る作業をアシストします。

以下で、クリップとガンマコントロールについて説明します。

ISO

この設定を上下させることで、ISOの値を変更できます。最適化のために、クリップをより明るい/暗い開始点に設定する必要がある場合に便利な設定です。

ハイライトリカバリー

チェックを入れると、クリッピングされていないチャンネルの情報を元に、クリッピングしたチャンネルのハイライト情報が再構成されます。

色温度

色温度を調整して、イメージのルックを暖かく/冷たくします。各イメージのカラーバランスをニュートラルにする場合に便利な設定です。

ティント

イメージにグリーンまたはマゼンタを加えて、カラーバランスを調整します。

露出

イメージ全体の明るさを微調整するために使用します。

彩度

「彩度」はデフォルトでは1になっており、最低-1から最大+4の範囲で彩度を調整できます。

コントラスト

デフォルトは1.0です。左右にスライダを動かしてコントラストを調整します。一番左は最低値の0で、一番右は最高値の2です。

ミッドポイント

Blackmagic Design Filmでは、中間グレーの値はデフォルトで0.38 (38.4%) になっています。スライダを左にドラッグするとミッドポイントが下がり、右に動かすと100まで上げられます。コントラストがデフォルト設定から変更されている場合、「ハイライト ロールオフ」および「シャドウ ロールオフ」が調整できます。

ハイライト ロールオフ

スライダーを左右にドラッグしてハイライトを調整します。一番左は最低値の0で、一番右は最高値の2です。デフォルト値は1です。

シャドウ ロールオフ

スライダーを左にドラッグするとシャドウが0まで下がり、右に動かすと2まで上げられます。

白レベル

スライダーをドラッグすることで、ガンマカーブのホワイトポイントを調整します。最高値は2、最低値は0です。デフォルト値は1です。

黒レベル

スライダーを右にドラッグすることで、カスタムガンマカーブのブラックポイントを上げます。最低値は-1、最大値は1です。デフォルト値は0です。

ビデオの黒レベルを使用

チェックを入れると、黒レベルをビデオに設定します。

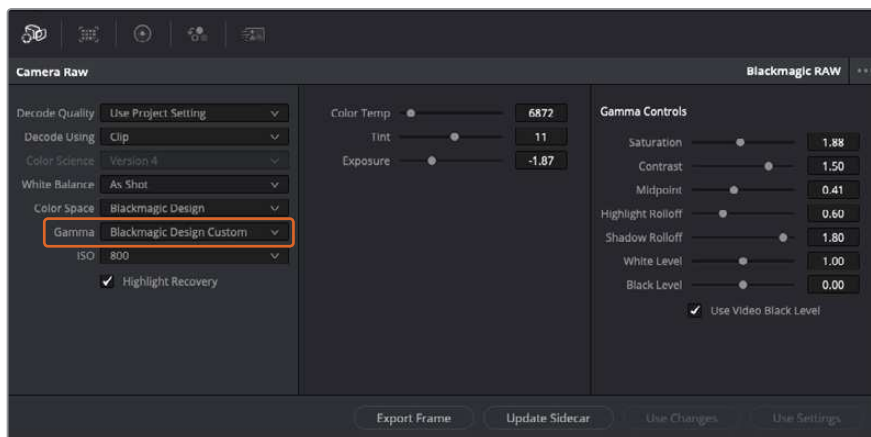
フレームの書き出し

「フレームの書き出し」ボタンをクリックして、Blackmagic RAWクリップから単一のフレームを書き出します。

サイドカーを更新

このボタンをクリックして、現在のクリップ用のBlackmagic RAWサイドカーファイルを更新します。

Blackmagic RAWクリップに加えた変更は、「ガンマ」設定に「Blackmagic Design Custom」として保存されます。



クリップをデフォルトの「ガンマ」オプションに戻したい場合は、ガンマのドロップダウンメニューから任意のオプションを選択するだけで、それが適用されます。

作業のこつ ガンマのコントロールは、「Video」ダイナミックレンジで撮影されたフットageでは無効になっていますが、Blackmagic RAWデータが失われたわけではありません。「Blackmagic Design Film」または「Blackmagic Design Extended Video」をガンマ設定のドロップダウンメニューから選択すると調整できるようになります。

Blackmagic RAWの変更を保存

- 1 Blackmagic RAWのガンマのコントロールを調整します。
- 2 「サイドカーを更新」ボタンをクリックします。

サイドカー (.sidecar) ファイルがBlackmagic RAW (.braw) ファイルと同じフォルダーに作成されます。別のユーザーがBlackmagic RAWファイルを読み込むと、DaVinci Resolveは自動的にサイドカーファイルを読み取ります。さらに調整を加えた場合、再び「サイドカーを更新」ボタンを押します。

作業のこつ サイドカーファイルを取り除くには、メディアドライブから削除するだけです。

Blackmagic RAWのプロジェクト設定

ホワイトバランスやISO設定の全体的な変更など、すべてのクリップに共通した設定の変更が必要な場合、プロジェクト設定の「カメラRAW」を使用すると複数のクリップに渡って包括的に変更を加えられます。

Blackmagic RAW用のプロジェクト設定を設定する：

- 1 「ファイル」をクリックし、「プロジェクト設定」を選択して、プロジェクト設定を開きます。
- 2 「カメラRAW」タブの「RAWプロファイル」ドロップダウンメニューで、矢印をクリックして「Blackmagic RAW」を選択します。
- 3 さらに「デコードに使用」ドロップダウンメニューで「プロジェクト」を選択します。
- 4 ホワイトバランス設定を「カスタム」にします。
- 5 ガンマのドロップダウンメニューで「Blackmagic Design Custom」を選択します。カラースペースを「Blackmagic Design」に設定します。これにより、ガンマ設定も「Blackmagic Design Film」になります。
- 6 「デコード品質」メニューから解像度を選択します。低い解像度に設定すると、性能が限られたシステムでも円滑に再生できます。解像度は、後に納品のために高品質の出力を行う前に、フル解像度に変更することも可能です。

これで、彩度、コントラスト、ミッドポイントなどのカメラ設定を調整する準備が整いました。これは、デコードに「プロジェクト」を使用するように設定されたプロジェクトのすべてのクリップに影響します。

カラーページでクリップのカラーコレクションを行う

タイムラインにクリップを追加し、タイトルを付けたので、カラーページでカラーコレクションを実行する準備が整いました。カラーページは極めてパワフルな機能を搭載しており、作品の全体的なルックを決定づけます。ここでは、クリップに一貫性を持たせるために、クリップをニュートラルな状態にする作業を行います。編集に変更を加えたい場合、いつでもカットページやエディットページに戻って作業することも可能です。

カラーページは編集のルックを調整できます。色々な意味で、カラーコレクションは芸術形態のひとつと言えます。カラーコレクションを行うことで、作品に感情を追加できます。ワークフローの中でクリエイティビティが大いに要求される作業であり、様々なスキルを身に付け、その結果をスクリーンで目することで非常に高いやりがいを感じられます。これは、カラーコレクションの最初のステップで、プライマリーカラーコレクションまたはプライマリーと呼ばれます。プライマリーカラーコレクションが完了したら、セカンダリーカラーコレクションを行います。セカンダリーでは、イメージの特定の被写体に対して、極めて高精度な色の調整が可能です。これは非常に楽しい作業ですが、通常プライマリーの後に行われます。プライマリーを先に行うことで、作業をより効率化し、より良い結果が最終的に得られます。

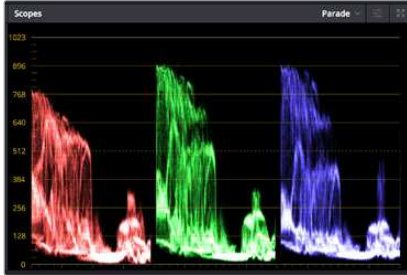
はじめに、「カラー」タブをクリックしてカラーページを開きます。

「カメラRAW」設定、カラーホイール、カーブパレット、カラーコレクションツール全般、プレビューウィンドウ、ノードウィンドウが表示されます。表示される膨大なツール群に戸惑う必要はありません。これらはすべて、ユーザーが素晴らしい映像を作成するのを手助けする機能です。このセクションは基礎を紹介するものです。詳細情報は、マニュアルの該当セクションを参照してください。マニュアルでは、すべてのツールの使用目的と使い方を簡単な手順で紹介しています。ハイエンドのカラーコレクションスタジオで専門家が用いるのと同じテクニックを習得できます。

通常、プライマリーカラーコレクションの最初のステップは、クリップのシャドウ、ミッドトーン、ハイライトのレベルを最適化することです。つまり、「リフト」、「ガンマ」、「ゲイン」の設定を調整します。この作業は、クリーンでバランスが取れた作業開始点を作成することで、その後に行うカラーグレーディングで最も素晴らしいルックを得るために役立ちます。レベルの最適化には、スコープが役立ちます。

スコープの使用

カラリストの多くは、作品に持たせたい感情/ルックに焦点を当てカラーを選択し、それに基づき、モニターを使用してそのルックを完成させます。日常的なオブジェクト、それらと相互作用する様々な光を見ることで、映像に対してどのような効果を加えられるか、実験しながらアイデアを生み出すことができます。



パレードスコープは、ハイライト、ミッドトーン、シャドウの最適化に役立ちます。

カラーグレーディングのもう一つの方法に、内蔵スコープを使用してショットのバランスを取る方法があります。ビデオスコープは「スコープ」ボタンをクリックして開きます。「スコープ」ボタンは、パレットツールバーの右から2番目のボタンです。スコープの表示は、波形、パレード、ベクトルスコープ、ヒストグラムから選択できます。これらのスコープは、トーンのバランスのモニタリング、黒つぶれや白飛びを防ぐためのビデオレベルの確認、クリップ内の色かぶりチェックなど、様々な目的に使用できます。

「カラーホイール」には、一般的に最初の調整に使用する「リフト」、「ガンマ」、「ゲイン」のコントロールがあります。カラーコレクションの経験がある場合、これらは他のアプリケーションでカラーやコントラストの調整を行う上で使用したコントロールに似ていることに気付くでしょう。



「リフト」、「ガンマ」、「ゲイン」、「オフセット」のカラーホイールで、クリップのカラーおよびトーンのバランスを完全にコントロールできます。各トーン領域のすべてのカラーに同じ調整を加えたい場合は、各カラーホイールの下のダイヤルを左右にドラッグします。

マウスを使って各カラーをより正確にコントロールするには、カラーホイールを「プライマリーバー」に変更します。プライマリーバーは、リフト、ガンマ、ゲインを別々にコントロールして各カラーおよび輝度チャンネルを調整できます。カラーホイールの右上にあるドロップダウンメニューから「プライマリーバー」を選択します。

- ・ **「リフト」の調整**: カラーページのタイムラインでクリップを選択し、1つ目のカラーホイールの下にある「リフト」ダイヤルをクリックします。ダイヤルを左右にスライドし、イメージへの影響を確認します。イメージ内の暗い領域で明るさが増減するのが分かります。
 暗い領域の明るさを、最適なレベルに設定します。リフトを下げ過ぎるとブラックのディテールが失われます。これを避けるには、パレードスコープが役立ちます。波形で確認する場合のブラックの最適な位置は、パレードスコープの底辺のすぐ上です。
- ・ **「ゲイン」の調整**: 「ゲイン」ダイヤルをクリックして、左右にスライドします。クリップの最も明るい部分であるハイライトを調整できます。ハイライトは、パレードスコープの波形の一番上の部分に表示されます。照明が明るいショットの場合、ハイライトの最適な位置は、波形スコープの一番上のラインのすぐ下です。ハイライトが波形スコープの一番上のラインを超えている場合、ハイライトはクリップされ、イメージ内の最も明るい領域のディテールが失われます。
- ・ **「ガンマ」の調整**: カラーホイールの下「ガンマ」ダイヤルをクリックして、左右にスライドします。ガンマの値を上げるとイメージが明るくなるのが分かります。ガンマを調整すると、波形の中間の部分も動きます。この部分は、クリップのミッドトーンを示しています。ミッドトーンの最適な位置は、通常、波形スコープの50-70%の間ですが、作成するルックやクリップの照明条件、目的や好みにより異なります。

また、カーブパレットを使用してプライマリーカラーコレクションを行えます。カーブグラフの斜線をクリックしてコントロールポイントを作成します。それらを上下にドラッグして、イメージ色調の異なるエリアのマスターRGBコントラストを調整します。調整に最適なポイントは、カーブラインの下から3分の1、中間、上から3分の1の位置です。

DaVinci Resolveでプライマリーカラーコレクションを行う方法は他にもたくさんあります。



「カーブ」パレットは、プライマリーコレクションや、Power Windowでクリップの特定の部分を強調する際に使用できる、もうひとつのツールです。

セカンダリーカラーコレクション

イメージの特定の部分を調整したい場合は、セカンダリーコレクションを使用する必要があります。リフト/ガンマ/ゲインを使用してこれまでに行った調整は、イメージ全体に同時に適用されるため、プライマリーカラーコレクションと呼ばれます。

一方、シーンの芝生のカラーや空のブルーのみを変更するなど、イメージの特定の部分を調整する必要がある場合は、セカンダリーコレクションを使用します。セカンダリーカラーコレクションでは、イメージを部分的に選択し、その部分のみを調整できます。ノードを使用して複数のセカンダリーコレクションを重ねられるため、すべてを別々に調整して完璧なイメージを作成できます!さらにウィンドウやトラッキングなどの機能で、イメージ内の動きを追跡できます。

カラーの分離

道路沿いの芝生や空のブルーなどクリップ内のカラーを強調したり、対象物のカラーを調整してオーディエンスの注意を引いたりなど、特定のカラーを強調することで様々な効果が得られます。HSLクオリファイアーツールを使用すれば、特定のカラーを簡単に分離できます。



HSLクオリファイアーツールでイメージ内のカラーを選択することは、イメージを部分的に際立たせたり、ショットの特定の部分にオーディエンスの注意を集めたい場合などに役立ちます。

特定のカラーを分離する：

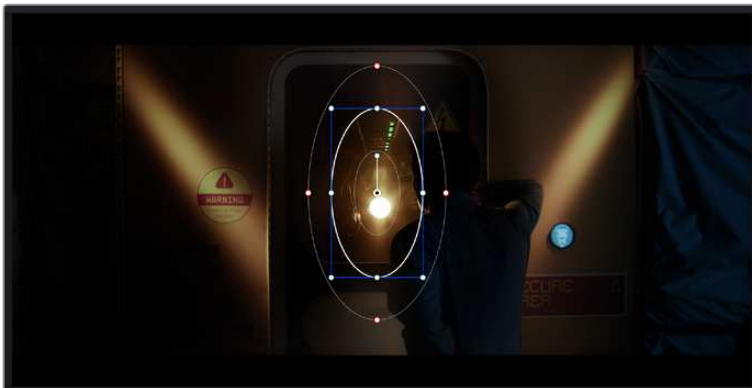
- 1 新しいシリアルノードを追加します。
- 2 「クオリファイアーツール」パレットを開き、「選択範囲」ピッカーツールを選択します。
- 3 クリップ内の調整したいカラーをクリックします。
- 4 通常、選択した領域のエッジを滑らかにし、目的のカラーのみに制限するには多少の調整が必要です。選択した領域を確認するには、ビューア上部にある「ハイライト」ボタンを押します。
- 5 「色相」の「幅」コントロールを調整して、選択する色相の幅を調整します。

「高」、「低」、「ソフトネス」コントロールを調整して、選択領域への影響を確認します。これで、カラーホイールまたはカスタムカーブを使用して、選択したカラーへのコレクションを開始できます。

時として、作業の影響を与えたくない領域のカラーもわずかに選択されてしまう場合があります。その場合はPower Windowを使用して、必要ない領域を簡単にマスクできます。新しいウィンドウを作成したら、目的のカラーの部分に合わせて形を整えるだけです。選択したカラーに動きがある場合は、トラッキング機能を使用してPower Windowを追跡できます。

Power Windowを追加

Power Windowは、クリップの特定の領域を分離できる、極めて効率的なセカンダリーカラーコレクション・ツールです。分離する領域は静止している必要はなく、カメラのパン、ティルト、回転、さらにはその領域の動き自体に合わせてトラッキングできます。



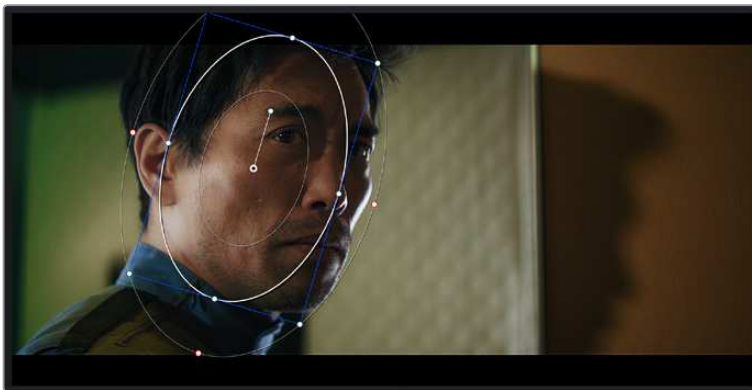
HSLクオリファイアーツールによるセカンダリーコレクションを適用したくない部分は、Power Windowでマスクできます。

例えば、人物に合わせたウィンドウをトラッキングして、周囲に影響を与えず、その人物のカラーとコントラストのみを調整できます。このようなカラーコレクションを行うことで、オーディエンスの注意を集めたい部分のみを強調できます。

クリップにPower Windowを追加する：

- 1 新しいシリアルノードを追加します。
- 2 「ウィンドウ」パレットを開き、シェイプアイコンをクリックしてウィンドウシェイプを選択します。選択したウィンドウシェイプがノードに表示されます。
- 3 シェイプの周りの青いポイントをクリック&ドラッグして、シェイプのサイズを調整します。赤いポイントでは、エッジのソフトネスを調整できます。作成したシェイプは、中央のポイントをクリック&ドラッグして位置を変更し、分離したい領域に合わせられます。中央のポイントとつながったポイントでは、シェイプを回転できます。

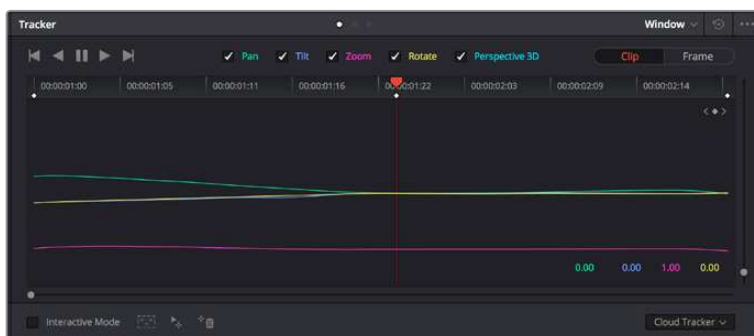
これで、必要な領域のみに制限したカラーコレクションが可能です。



Power Windowを使用して、イメージ内の特定の部分にセカンダリーコレクションを適用できます。

ウィンドウのトラッキング

撮影に使用したカメラまたは撮影した被写体には、動きがある場合があります。DaVinci Resolveの強力なトラッキング機能を使用すると、ウィンドウで被写体/領域を確実に追跡できます。トラッキング機能では、カメラや被写体のパン、ティルト、回転を分析して、それらの動きにウィンドウをマッチできます。この作業を行っていない場合は、選択したターゲットからカラーコレクションが外れ、望ましい結果が得られないことがあります。



トラッキング機能で被写体/領域を追跡できるため、Power Windowがアクションを追います。

動く被写体のウィンドウをトラッキングする：

- 1 新しいシリアルノードを作成し、Power Windowを追加します。
- 2 クリップを開始点に合わせ、ウィンドウの位置やサイズを調整し、目的の被写体/領域のみに焦点を合わせます。
- 3 「トラッカー」パレットを開きます。パン、ティルト、ズーム、回転、遠近3Dから、クリップ内の動きに最適なものを選択し、チェックボックスをオンにします。
- 4 チェックボックスの左にある順方向への矢印をクリックします。DaVinci Resolveがトラッキングポイントをクリップに適用し、動きを分析しながら以降のフレームへと進みます。トラッキングが終わると、Power Windowがクリップ内の動きのパスを追跡します。

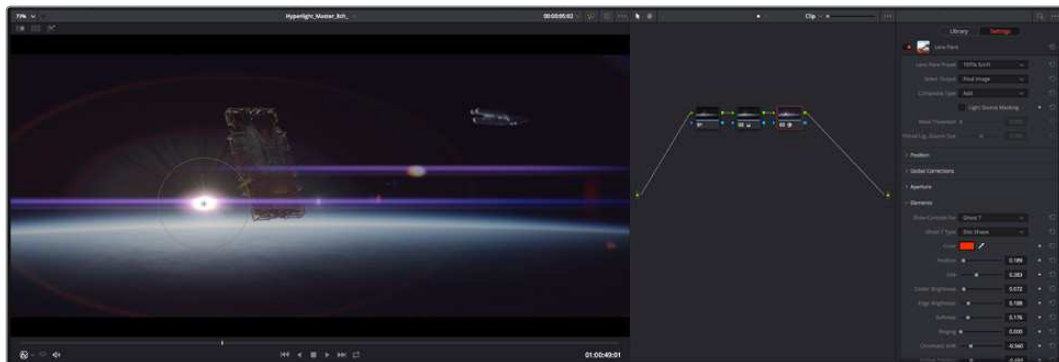
トラッキングはほとんどの場合に成功しますが、複雑なシーンや、選択した領域の前を障害物が通るケースでは、トラッキングに影響が出る場合があります。この問題は、キーフレームエディターを使用して解決できます。詳細については、DaVinci Resolveマニュアルを参照してください。

プラグインの使用

セカンダリーカラーコレクションでは、ResolveFXまたはOpenFXプラグインを追加できます。プラグインを追加してカラーページでは魅力的なルックやエフェクトを、エディットページでは想像力に富んだトランジションやエフェクトをすばやく作成できます。ResolveFXはDaVinci Resolveにすでにインストールされています。一方、OFXプラグインはサードパーティから購入/ダウンロードして使用できます。

OFXプラグインのインストールが完了したら、ResolveFXと同様に、カラーページの「ノードエディター」の右にある「OpenFX」インスペクタからアクセスできます。新しいシリアルノードを作成したら、「OpenFX」ボタンをクリックしてFXライブラリを開き、そのノードにプラグインをドラッグ&ドロップします。プラグインに変更可能な設定がある場合は、隣の「設定」パネルで調整できます。

エディットページでは、クリップにプラグインフィルター、ジェネレーター、トランジションを追加できます。この作業は、「エフェクトライブラリ」の「OpenFX」パネルを開き、プラグインの要件に合わせ、選択したプラグインをタイムライン上のクリップの上にあるビデオクリップまたはトラックにドラッグすることで実行できます。



OFXプラグインを使用して、想像力に富んだ魅力的なルックをすばやく簡単に作成できます。

オーディオのミックス

エディットページでオーディオをミックス

プロジェクトのカラーコレクションが終わったら、オーディオのミックスを開始できます。DaVinci Resolveのエディットページには、オーディオの編集、ミックス、マスタリングが直接行える便利な機能が搭載されています。より高度なオーディオツールが必要なプロジェクトでは、完全なオーディオポストプロダクション環境を実現するFairlightページを使用できます。エディットページの使用方法をすでに理解しており、Fairlightに関する項目に進みたい場合は、このセクションを飛ばして次のセクションに進んでください。

オーディオトラックの追加

エディットページで基本的なサウンドをミックスする上で、サウンドエフェクトや音楽を多数使用する場合は、必要に応じてオーディオトラックを簡単に追加できます。オーディオトラックを追加すると、サウンドを構築する過程において会話、サウンドエフェクト、音楽などのオーディオ素材を別々のトラックに分けて管理できます。

エディットページにオーディオトラックを追加する

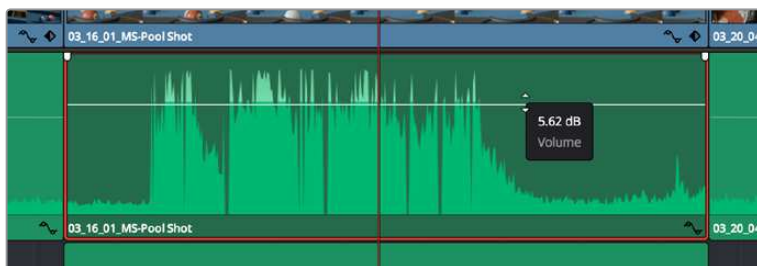
タイムラインでオーディオトラックのトラック名の領域を右クリックし、「トラックを追加」を選択します。「モノ」、「ステレオ」、「5.1」などの中から、任意のオプションを選択します。トラックリストの一番下にトラックが追加されます。あるいは「トラックを追加」を選択すると、1つあるいは複数の新しいトラックを任意の位置に配置できます。

新しいオーディオトラックがタイムラインに表示されます。

作業のこつ トラックを作成した後に種類を変更したい場合、トラック名の隣を右クリックして「トラックの種類を変更」を選択すると、オーディオトラックの種類を「モノ」、「ステレオ」、「5.1」などに変更できます。

タイムラインでオーディオレベルを調整

タイムラインの各オーディオクリップには、ボリュームオーバーレイがあります。クリップのレベルはこのオーバーレイをポインターで上下にドラッグするだけで簡単に設定できます。このオーバーレイは、インスペクタの「ボリューム」パラメーターと連動しています。

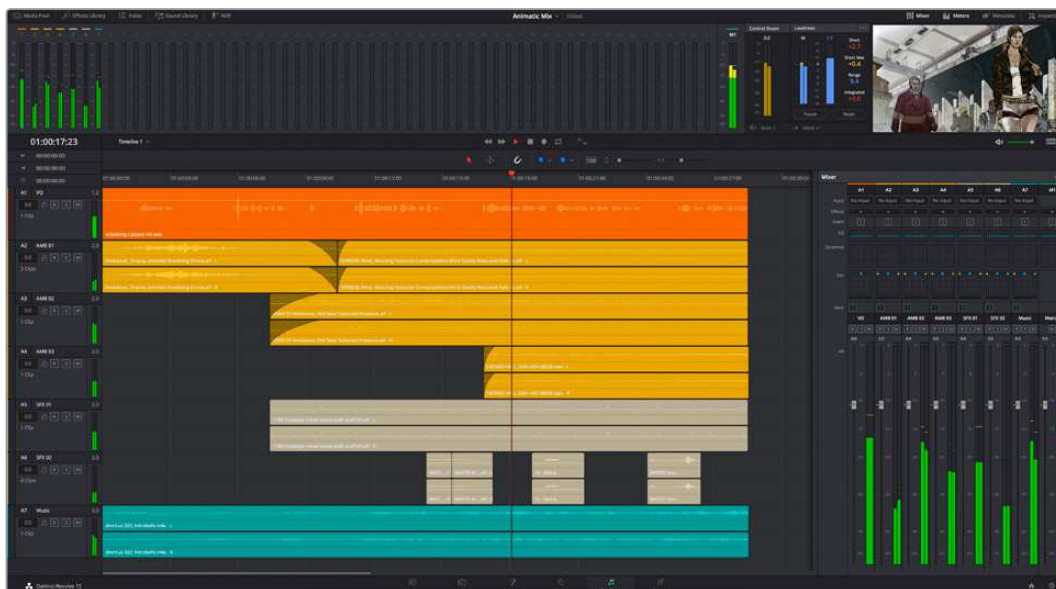


ボリュームオーバーレイをドラッグしてクリップレベルを調整

より高度なオーディオツールが必要なプロジェクトでは、完全なオーディオポストプロダクション環境を実現するFairlightページを使用できます。

Fairlightページ

DaVinci ResolveのFairlightページではプロジェクトのオーディオの調整を行います。単一モニターモードでは、Fairlightページはプロジェクトのオーディオトラックに最適化されたレイアウトになります。拡大されたミキサーと様々なモニタリングコントロールでレベルの評価や調整を行い、滑らかでバランスの取れたミックスを作成できます。表示される膨大なツール群に戸惑う必要はありません。これらはすべて、優れたオーディオ品質を得るためのアシストを行う機能です。



このセクションではFairlightページの基本的な機能について説明します。各機能の詳細はDaVinci Resolveマニュアルを参照してください。DaVinci Resolveマニュアルでは各ツールの目的や使用方法が簡単なステップで紹介されています。

オーディオタイムライン

- **トラックヘッダー**：各トラックの左にはヘッダーエリアがあります。ヘッダーにはトラック番号、トラック名、トラックカラー、オーディオチャンネル、フェーダー値、オーディオメーターが表示されます。またトラックヘッダーには、トラックのロック/解除や、ソロ/ミュートを切り替えるコントロールもあります。これらのコントロールはトラックを管理する上で便利だけでなく、各トラックを個別にモニタリングする場合にも使用できます。
- **トラック**：Fairlightページの各トラックは複数のレーンに分かれています。これらのレーンは各クリップに含まれるオーディオチャンネルで、オーディオの編集やミックスのために表示されます。エディットページでは各オーディオチャンネルは非表示となり、タイムラインには単一のクリップのみ表示されます。多数のトラックを扱う必要がなくなるので、マルチチャンネルのソースを簡単に編集できます。



トラックヘッダーは各トラックの情報を表示します。トラック「A1」はレーンが1つ（モノ）のモノトラックです。トラック「A2」はレーンが2つ（ステレオ）のステレオトラックです。

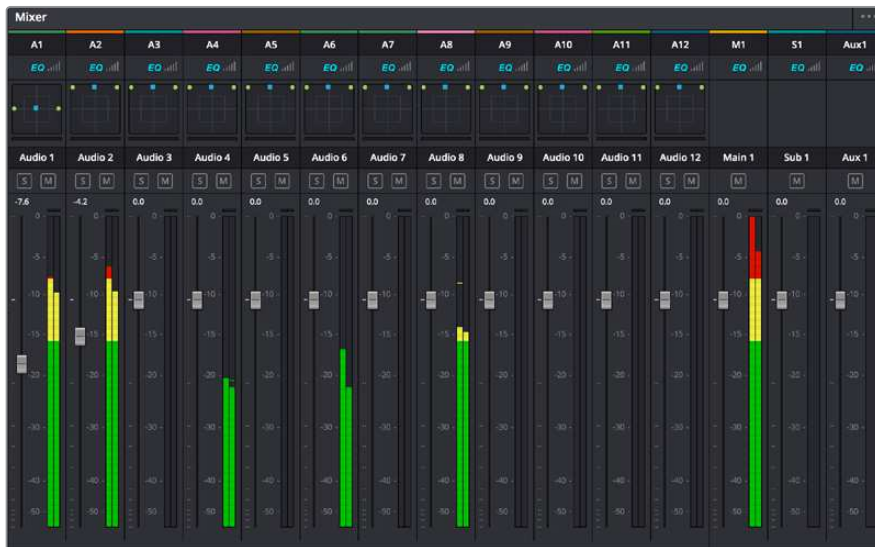
バスとは

バスは信号の送信先となるチャンネルで、タイムラインの複数のオーディオトラックをルーティングできます。複数の信号を単一の信号としてまとめることで、それらを単一のチャンネルストリップで同時にコントロールできます。

- ・ **メインバス**："メインバス" は概してプログラムの最も重要な出力です。新規プロジェクトを作成するとメインバスが1つ作成され、すべてのトラックがデフォルトでメインバスにルーティングされます。メインバスにはタイムラインの全トラックが単一の信号としてまとめられるので、各トラックのレベルを調整した後に、オーディオミックス全体のレベルを調整できます。
- ・ **サブバス**："サブバス" には複数のオーディオトラックをカテゴリ別（会話、音楽、エフェクト等）にまとめられるので、同一カテゴリのオーディオ素材を単一オーディオ信号としてコントロールできます。例えば会話のトラックが5つある場合、それらを同じサブミックスバスにルーティングして、すべての会話のボリュームをひとつのコントロールで調整できます。サブミックスはメインバスに送信して全体でレンダリングできますが、サブミックスごとの個別のレンダリングも可能です。

ミキサー

ミキサーには、タイムラインの各オーディオトラックに対して1つずつのチャンネルストリップがあります。また、デフォルトで右側にメインバス（M1）が1つあります。メインバスやサブバスを作成すると、右側にこれらのチャンネルとコントロールが追加されます。これらのグラフィックコントロールを使用して、トラックチャンネルの出力チャンネルへの割り当て、EQやダイナミクスの調整、ボリュームやオートメーションの記録の設定、ステレオ/サラウンドオーディオのパン、トラックのミュートやソロなどを実行できます。



オーディオミキサー。タイムラインのトラックごとにチャンネルストリップがあります。

EQでオーディオを引き立てる

オーディオクリップのレベルを調整した後、他の微調整が必要な場合があります。例えば、会話、音楽、サウンドエフェクトのオーディオスペクトルが同じ周波数帯で競合し、オーディオが混み合って聞き取りにくいことがあります。このような場合はEQが便利で、各トラックが占めるオーディオスペクトルを設定できます。またEQは、特定の周波数（低いざわめき、騒音、風や空気のノイズなどが含まれる帯域）のレベルを限定的に下げ、オーディオの不要な成分を排除したり、音響の全体的な品質を向上させるためにも使用できます。

DaVinci ResolveのEQフィルターは、各クリップに個別に、あるいはトラック全体に適用できます。タイムラインの各オーディオクリップはインスペクタに4バンドのイコライザーがあります。また、各トラックはミキサーパネルに6バンドのパラメトリックイコライザーがあります。グラフィックおよび数値によるコントロールで異なる周波数帯域を増強/減衰させ、数種類のフィルターでEQカーブの形状を指定できます。



タイムラインのクリップには4バンドのイコライザーを適用できます。

両外側の2バンドのバンドフィルターには、ハイシェルフ/ローシェルフ/ハイパス/ローパスを選択できます。パスフィルターは特定の周波数より上（または下）の全周波数に影響し、それらの周波数は信号から完全に除去されます。例えばハイパスフィルターでは、高周波数はフィルターを通過し、低周波数はカットされます。しきい値を超えるすべての周波数は下向きのカーブで段階的にカットされます。

シェルフフィルターはパスフィルターよりやや控えめのフィルターで、信号の高周波数や低周波数を全体的に、しかし完全には除去せずに調整したい場合に便利です。ハイシェルフフィルターおよびローシェルフフィルターを使用して、特定の周波数およびその上（または下）の全周波数を均等にブースト/カットできます。

中央の2バンドでは様々なイコライザー調整が可能で、フィルターはローシェルフ、ベル、ノッチ、ハイシェルフから選択できます。

- ・ **ベル**：ベルフィルターを使用すると、設定したセンターポイントとその周辺の周波数をブースト/カットできます。フィルターの名前が示すようにベル（鐘）状のカーブが形成されます。
- ・ **ノッチ**：ノッチフィルターは、周波数を非常に狭い範囲で選択できます。例えば、ハムノイズを50または60Hzで除去します。
- ・ **ローシェルフ**：低域の特定の周波数およびそれ未満の全周波数をブースト/カットできます。
- ・ **ハイシェルフ**：高域の特定の周波数およびそれを越える全周波数をブースト/カットできます。

EQを個別のクリップに追加する：

- 1 EQフィルターを追加したいクリップをタイムラインで選択します。
- 2 インスペクタをクリックし、「クリップイコライザー」ボタンをクリックして有効にします。

EQをトラックに追加する：

- 1 ミキサーで任意のトラックのEQセクションをダブルクリックし、イコライザーを開きます。
- 2 調整を行うバンドのドロップダウンメニューから、バンドフィルターの種類を選択します。



ミキサーパネルのEQセクション。トラック1にEQカーブが適用されているのが分かります。



6バンドのパラメトリックイコライザー。トラック別に適用できます。

クリップまたはトラックのEQを追加した後は、各バンドを個別に調整できます。調整に使用できるコントロールは、選択しているバンドフィルターの種類によって異なります。

バンドフィルターのEQを調整する：

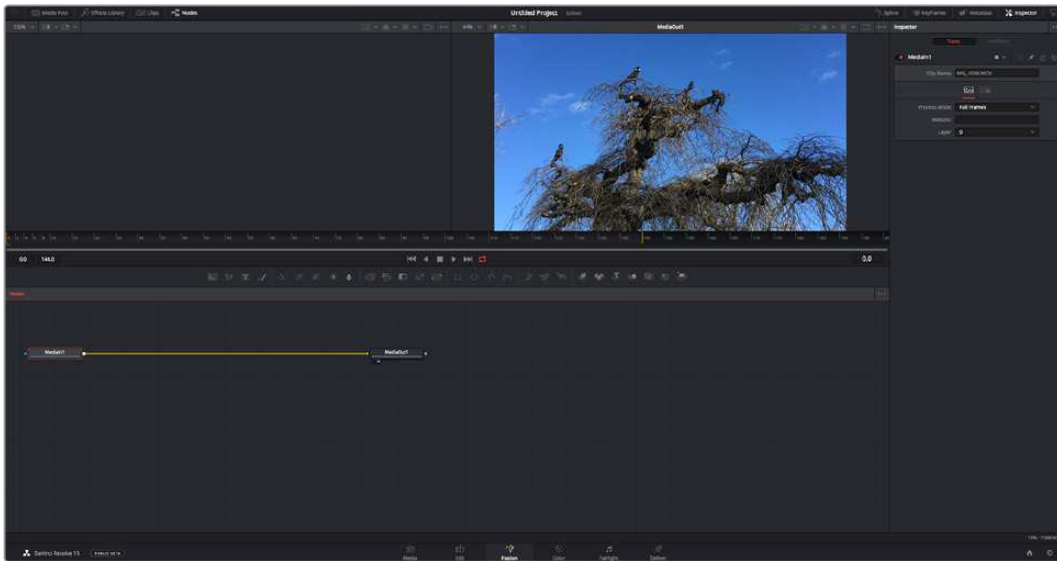
- 1 調整を行うバンドのドロップダウンメニューから、バンドフィルターの種類を選択します。
- 2 「周波数」の値を調整します。この値がEQ調整の中心になります。
- 3 「ゲイン」の値を調整して、対象周波数を増強/減衰させます。
- 4 「Qファクター」の値で、影響を受ける周波数の幅を調整します。

リセットボタンを押すと、EQウィンドウのすべてのコントロールがデフォルト値に戻ります。

Fairlightページには各オーディオトラックの品質を向上させるコントロールが数多く搭載されています。必要に応じてトラックを追加し、それらをバスに割り当てて管理し、さらにディレイやリバーブなどのエフェクトを追加してオーディオミックスを仕上げることができます。

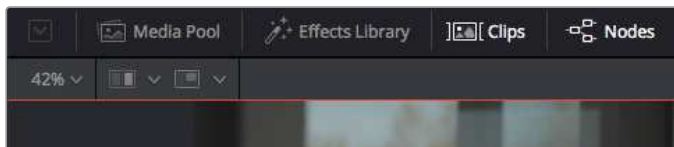
FusionページでVFXおよび合成を追加

編集が終わった後は、Fusionページで2D/3DのVFXやモーショングラフィックスをDaVinci Resolve内で追加できます。レイヤーベースの合成ソフトウェアと異なり、Fusionではノードを使用するため、イメージデータをあらゆる方向にルーティングしながら、複雑なエフェクトを柔軟に構築できます。ノードウィンドウには、作業の進行に合わせて、使用しているツールが表示されます。カラーページでのノードを使用したワークフローの経験があるユーザーにとっては、慣れ親しんだ作業だと感じられるでしょう。

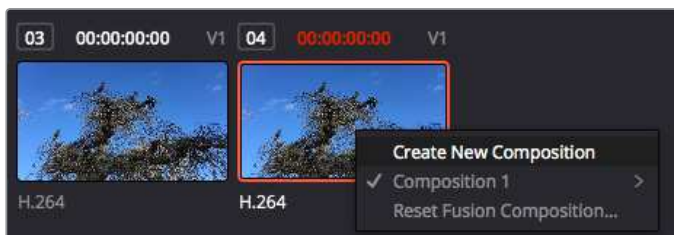


Fusionページ

Fusionページには、メディアを表示するための2つのビューアがトランスポートコントロールの上に搭載されており、右側の「インスペクタ」ウィンドウではツール設定にアクセスできます。画面下部のノードウィンドウは、合成の作成に使用します。ビューアとトランスポートコントロールは常に表示されていますが、ディスプレイの一番上にあるインターフェースツールバーのアイコンをクリックすると、ノードウィンドウと「インスペクタ」ウィンドウの表示/非表示を切り替えられます。また、エフェクトライブラリや、スプラインおよびキーフレームのエディターなどの追加ウィンドウも表示/非表示を切り替えられます。



- メディアプール:** メディアプールは、エディットページと同様に機能します。追加のメディアをピンから直接合成にドラッグ&ドロップするだけです。
- エフェクトライブラリ:** エフェクトライブラリにはFusionのツールやテンプレートがあり、パーティクル、トラッキング、フィルター、ジェネレーターなどカテゴリ別に分かれています。ツールをクリックするか、ノード領域にドラッグして、合成に追加します。メディアプールとエフェクトライブラリは画面の同じ領域に表示されるため、これらの表示を切り替えて使用することでビューアのサイズを最大に保てます。
- クリップ:** 「クリップ」タブをクリックすると、タイムラインのクリップと一致するサムネイルの表示/非表示を切り替えられます。サムネイルはノードエディターの下に表示されるため、瞬時に他のクリップにナビゲートできます。



新しいバージョンの合成を作成するには、サムネイルを右クリックして「新規コンポジションを作成」を選択します。

- ビューア:**ビューアは常に表示されており、合成の過程における異なる段階を確認できます。例えば、Merge 3Dノードを介した全体的な3D視点や、カメラ出力、最終レンダリング出力などを確認できます。これらのビューアは、特定の変更が各エレメントに与える影響を確認できます。表示するノードを選択するには、ノードをクリックし、左のビューアに表示する場合は「1」、右のビューアに表示する場合は「2」と入力します。ビューアに割り当てられているノードの下には、白いボタンのアイコンが表示されます。外部ビデオモニターを使用している場合は、メディアを外部ビデオモニターにルーティングするための3つ目のボタンが表示されます。

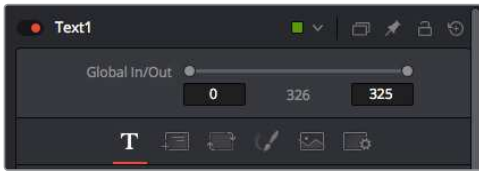
作業のこつ ノードをビューアに割り当てるには、ノードをビューアにドラッグします

ビューア下のトランスポートコントロールでは、クリップの開始または終了部分へのスキップ、順方向/逆方向への再生、停止が実行できます。タイムルーラーはクリップ全体の長さを表示し、黄色のマークはイン点とアウト点を意味します。



タイムルーラーの黄色のマークは、タイムラインのクリップのイン点とアウト点を示します。Fusionクリップまたは複合クリップを使用している場合、タイムルーラーはタイムラインに表示されているクリップの長さのみをハンドルなしで表示します。

- ノード:**ノードウィンドウはFusionページの核となる部分です。ここで、1つのノード出力から別のノード入力にツールを接続することで、ノードツリーを作成します。この領域は、開いているエディター（スプラインエディターやキーフレームエディターなど）によって大きさが変わります。ノード領域の上にあるツールバーでは、最も頻繁に使用されるツールにすばやくアクセスできます。
- スプライン:**スプラインエディターを開くと、ノードウィンドウの右側に表示されます。このエディターでは、各ノードに詳細な調整を加えられます。例えば、ベジェカーブを使用して2つのキーフレーム間のアニメーションをスムーズにする場合などに使用します。
- キーフレーム:**各ツールへのキーフレームは、キーフレームエディターから追加、除去、調整できます。このエディターもノードウィンドウの右側に表示されます。
- メタデータ:**メタデータウィンドウは、現在アクティブなクリップに使用可能なメタデータを表示します。これには、コーデック、フレームレート、タイムコードなどが含まれます。
- インスペクタ:**右上にあるインスペクタは、選択された1つまたは複数のノードで使用可能なすべての設定と修飾機能（Modifier）を表示します。ノードに応じて追加のタブが表示され、そのノードで使用できる他の設定にカテゴリー別に簡単にアクセスできます。



Textインスペクタに追加のタブが表示され、「Text」、「Layout」、「Transform」、「Shading」、「Image」、「Settings」の設定にアクセスできます。

Fusionを使い始める

Fusionで作業を始めるには、再生ヘッドをタイムラインのクリップ上に配置し、「Fusion」タブをクリックしてFusionページを開きます。

Fusionページでは、クリップは「MediaIn」と名前がついたメディア入力ノードでただちに使用できます。すべての合成作業は、「MediaIn」および「MediaOut」ノードから始まります。「MediaIn」ノードは、再生ヘッドがある位置の一番上にあるクリップで、その下に位置するクリップは無視されます。エディットページで加えた調整（変形ツールやクロッピングの変更など）もすべて含まれます。



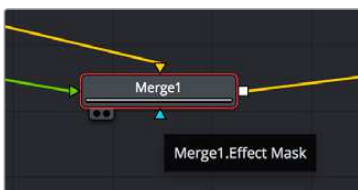
「MediaOut」と名前がついたメディア出力ノードは、DaVinci Resolveのエディットページのタイムラインに出力を送信するノードです。

作業のこつ エディットページでクリップに適用されたResolveFXやOFXプラグインは、Fusionページでは適用されません。この理由は、FusionのエフェクトはカラーコレクションおよびOFX/ResolveFXの処理の前に実行されるからです。Fusionエフェクトの前にOFXを適用したい場合は、Fusionページをクリックする前に、エディットページでクリップを右クリックし、「新規Fusionクリップ...」を選択します。

ノードを理解する

Fusionを使用するにあたって、各ノードは単一のツールやエフェクトを意味する視覚的なアイコンであると考えると作業がしやすくなります。ノードは、別のノードに接続することで合成を作り上げます。例えるなら、ケーキの材料のような存在です。各ノードの入力と出力を理解することで、ディテールに富んだVFXの作成にあたり、合成の流れを上手く構築できます。

一部のツールには、他のノードに接続できる入力と出力が複数あります。例えば、マージノードは、前景入力、後景入力、マットやキー用のマスク入力に接続できます。



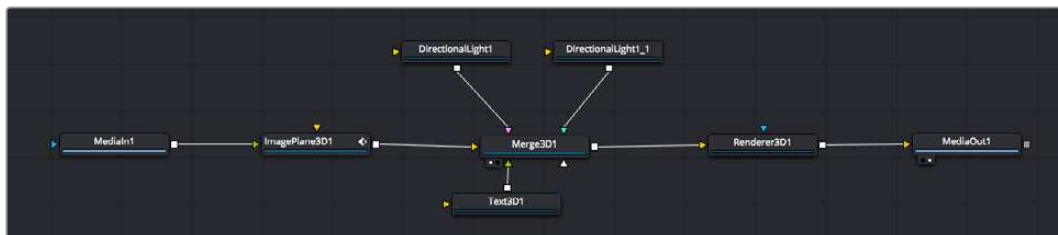
- ▶ 前景入力
- ▶ 後景入力
- ▶ エフェクトマスク入力
- 出力

ノードに複数の出力があることで、単一のノードを多数の異なるノードに接続できるため、クリップを複製する必要がありません。これが、レイヤーベースのソフトウェアと異なる点です。接続したノード間のライン上に表示される矢印は、イメージデータの流れの方向を示しています。

ノードエディターにノードを追加

エフェクトの追加は、「MediaIn」および「MediaOut」ノードの間のラインにノードを配置するだけで実行できます。

これを行うには複数の方法があります。1つ目は「Shift」を押しながらノードを2つのノード間にドロップする方法です。2つ目は、エフェクトを接続したいノードをはじめにクリックして、次に追加したいツールを選択する方法です。この方法では、選択したツールに新しいノードが自動的に接続されます。また、ノードウィンドウ内のあらゆる場所にノードを追加し、マニュアルでドラッグしてノード出力とノード入力を接続することも可能です。



最も頻繁に使用されるツールは、2Dまたは3Dマージノードです。このノードは、ノードエディターの複数のツールを単一の出力にまとめるハブとして機能します。

マージノードでは、入力を接続するにあたって、サイズ、配置、ブレンドなどをコントロールできます。これらの設定は、マージノードが選択された際に表示される「インスペクタ」パネルから使用できます。

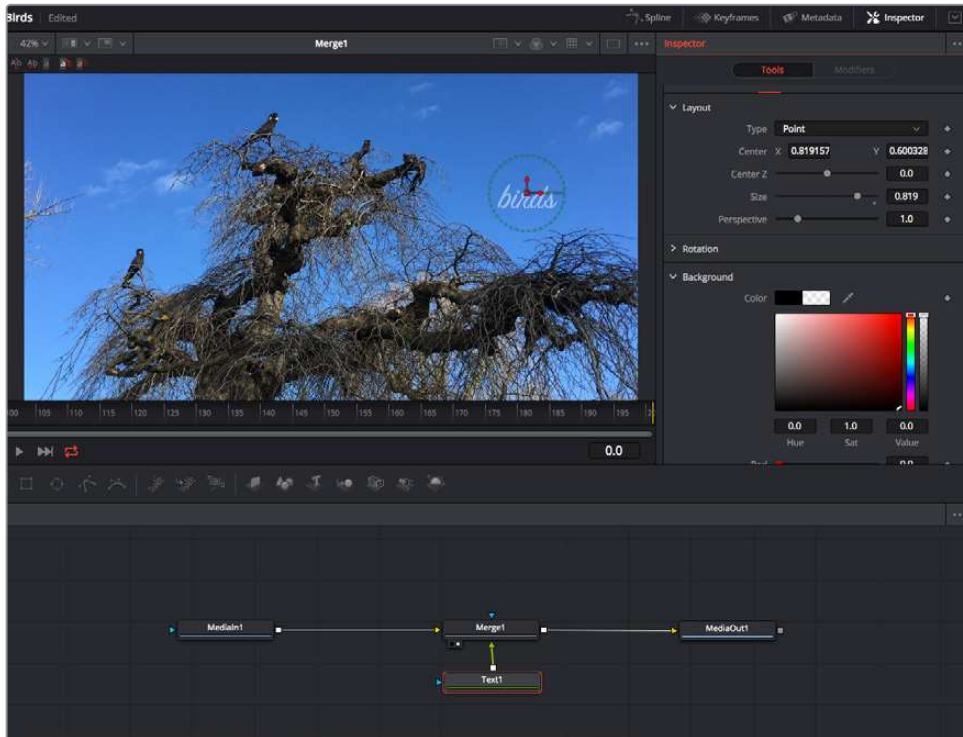
ノードパネルの上のツールバーには、使用頻度の最も高いツールがアイコンとして表示されます。ノードを追加するには、アイコンをクリックするか、ツールをノードパネルにドラッグします。使用可能な全ツールを確認するには、左上にある「エフェクトライブラリ」をクリックした後、「Tools」の隣の矢印をクリックします。すべてのツールがカテゴリー別にリストアップされます。さらに、事前に作られた「Templates」もここで同様に確認できます。テンプレートには、「Lens flares」、「Shaders」、「Backgrounds」などがあります。

作業のこつ ツールの名前を覚えたら、キーボードで「Shift」+「スペース」を押すと、「Select Tools」のウィンドウが表示されます。ツール名を入力すると、関連のツールに絞り込まれます。これは、必要なツールを非常にすばやく選択できる方法です。

インスペクタパネルを使用してノードを調整

「インスペクタ」パネルでノード設定を調整します。変更したいノードをクリックすると、パネルが更新され、該当の設定やコントロールが表示されます。

Fusionでは、編集しているノードを見る必要はなく、ノードを変更しながら合成の別のノードを見るのが可能です。例えば、「Merge」ノードをビューアに表示した状態で「Text+」ノードのサイズと中心位置を変更できます。これにより、背景に対するテキストの状態を見ながら作業が行えます。



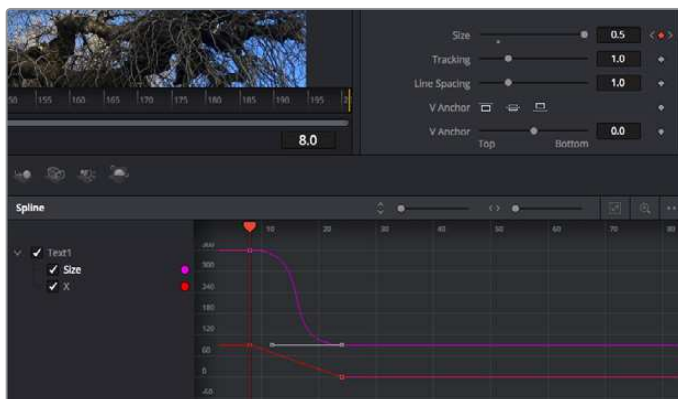
選択したノードの外枠は赤くなります。この写真では「インスペクタ」パネルに、テキストノードの「Layout」タブにあるコントロールが表示されています。

各ノードで調整できるパラメーターや設定はタスクによって変わります。例えば、サイズや中心位置の調整から「Emitter」ノードのパーティクル数の変更などに切り替わります。キーフレームを設定して、その後に行なった変更は、エフェクトのアニメートに影響します。

キーフレームを使用した作業

「インスペクタ」ウィンドウで設定の1つを右クリックして、コンテキストメニューから「Animate」を選択します。該当の設定の右側のキーフレームアイコンが赤くなります。キーフレームがアクティブになり、今後行う変更は現在のフレームのみに適用されます。2つ以上のキーフレームが、異なるフレームで設定のパラメーターを変更したことで作成された場合、それらの間のトランジションは補間されます。キーフレームアイコンの左右の矢印で、それらのタイムライン上での位置に再生ヘッドを移動できます。

「スプライン」パネルでキーフレームのアニメーションをさらに詳細にコントロールできます。例えば、最初と最後のキーフレームを選択し、それらの間のアニメーションをベジェカーブでスムーズにできます。これは「Shift + S」、またはキーフレームを右クリックして「Smooth」を選択して実行できます。



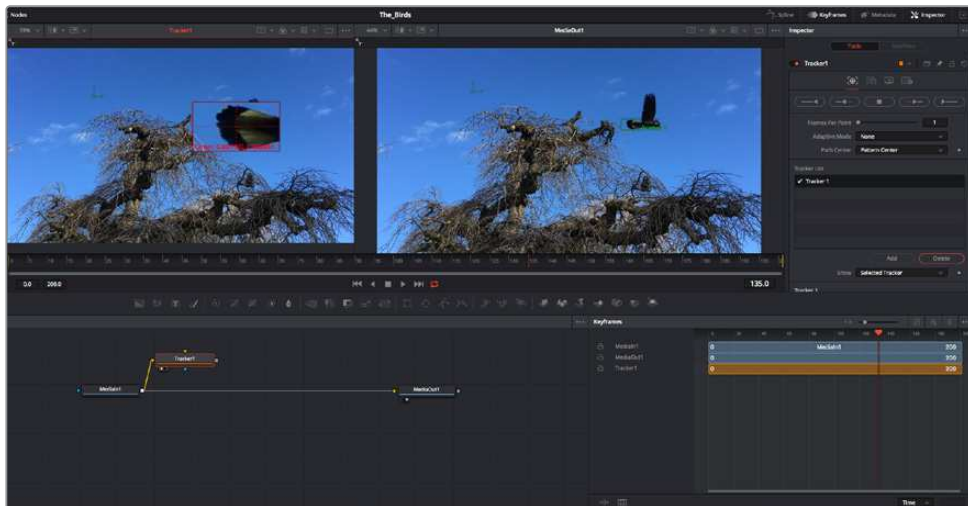
この写真では「Size」キーフレームアニメーションがベジェカーブで滑らかな曲線を描いています。ベジェハンドルをクリックしてカーブを長く/短くできます。またキーフレームの四角のアイコンをクリックして、キーフレームの場所を移動できます。

モーショントラッカーの使用、テキストの追加

Fusionをいかに使用できるかを理解するために、以下に使用例をいくつか記載しています。ここでは、クリップの要素をトラッキングするトラッカーツールの使用方法、テキストを追加した後にトラッキングデータを使用して要素に接続させる方法を紹介します。

「Tracker」ツールは、X軸およびY軸のピクセルをトラッキングし、他の要素に接続するために使用できるデータを生成します。これは、動く被写体（走っている車やフレーム内を飛ぶ鳥など）にテキストの位置をマッチさせたい場合に便利です。

- 1 「エフェクトライブラリ」で「Tracking」ツールを選択し、「MediaIn」と「MediaOut」ノードの間のライン上にドラッグします。「Tracker」ノードをクリックして、「インスペクタ」でプロパティを表示します。
- 2 キーボードで「1」を押して、左のビューアに「Tracker」ノードを表示します。トラッカーがデフォルト位置に表示された状態で、クリップがビューアに表示されます。マウスポインターをトラッカーに重ねて、トラッカーハンドルを表示します。トラッカーハンドルの左上をクリックし、クリップ上でトラッキングしたい領域にトラッカーをドラッグします。高コントラストの領域で良い結果を得やすいので、トラッカーは車のボンネットのエンブレムなどに配置すると良いでしょう。トラッカーは、詳細な配置が可能のようにイメージ領域を拡大します。
- 3 「インスペクタ」ウィンドウで、「順方向にトラッキングする」ボタンを押してトラッキングを開始します。トラッキングが終了すると、それを伝えるウィンドウが表示されます。「OK」をクリックします。

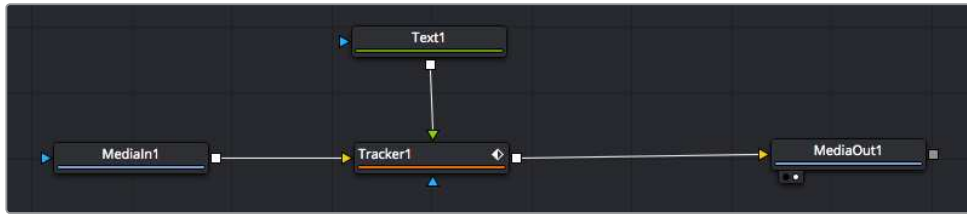


「インスペクタ」パネルのトラッキングのオプションでは、「最後のフレーム/現在のフレームから逆方向にトラッキング」、「停止」、「現在のフレーム/最初のフレームから順方向にトラッキング」が選択できます。

作業のこつ 「現在のフレームから逆方向/順方向にトラッキング」は、トラッキングしたい領域がレンダリングされている範囲外に出ってしまう場合に便利です。例えば、車や鳥がフレーム外に出る場合などです。これにより、関連したフッテージのみをトラッキングできます。

生成されたトラッキングデータを用いて、モーションパスを「Text」ツールに適用します。

- 4 頻繁に使用されるノードのツールバーで「Text+」ノードアイコンをクリックして、ノードパネルの「Tracker」ノードの近くまでドラッグします。「Text」の出力を「Tracker」の緑の前景入力に接続します。



- 5 「Tracker」ノードをクリックして、キーボードで「1」を押します。マージされた結果が左のビューアに表示されます。「インスペクタ」の「Tracker」パネルで「Operation」タブをクリックします。タブの名前は、マウスポインターをタブの上に重ねると表示されます。「Operation」ドロップダウンメニューの矢印をクリックして「Match Move」を選択します。
- 6 「Text」ノードをクリックして「インスペクタ」でプロパティを表示します。テキストボックスに文字を入力し、合成に合うようにフォント、色、サイズを変更します。

これで、トラッカーで生成したトラッキング位置データが、テキストに適用されます。テキストのオフセット位置を変更したい場合、「インスペクタ」の「Tracker」タブをクリックし「X Offset」と「Y Offset」スクロールホイールを使用して調整します。



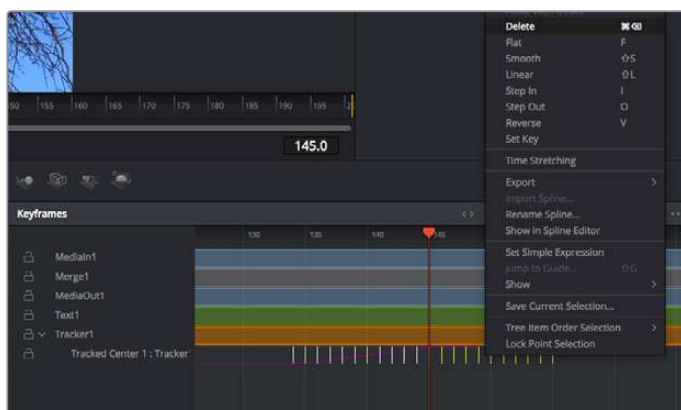
「インスペクタ」の「Tracker」パネルの下部にあるスクロールホイールで、テキストのオフセット位置を調整可能。

合成を再生すると、トラッキングした被写体にテキストが接続していることが確認できます。



緑のボックスは、トラッカーの現在の位置で、パスも緑で表示されています。赤の点線は、テキストをアニメートするために使用されるオフセット位置です。

一部のショットでは、トラッキング後にトラックポイントを取り除きたい場合もあるでしょう。例えば、トラッキングしている被写体がスクリーン外に出てしまうケースなどです。キーフレームエディターを使用すれば、これが極めて簡単に行えます。



- 7 「インスペクタ」の上にある「キーフレーム」タブをクリックして、キーフレームエディターを開きます。キーフレームが適用されたノードには、ノードラベルの横に小さな矢印が表示されます。キーフレームが追加されているパラメーターのみが下のリストに表示されます。虫めがねアイコンをクリックして、編集したい領域の周囲にボックスを描きます。これにより、その領域がズームされ、キーフレームが見やすくなります。
- 8 最後のキーフレームを配置したい位置に再生ヘッドを移動します。取り除きたいキーフレームの周囲に、マウスを使用してボックスを描きます。キーフレームは黄色にハイライトされます。右クリックして、メニューから「Delete」を選択します。

作業のこつ エフェクトによるシステムへの負荷が特に高い場合、トランスポートコントロールの領域を右クリックするとビューアのオプション（プロキシ再生など）が表示されるので、合成の構築中にシステムを最大限に利用できる方法を選択できます。再生オプションの詳細に関しては、DaVinci Resolveマニュアルを参照してください。

テキストをアニメートして、フッテージの動きにマッチさせる合成が完成しました！

トラッキングしたいイメージ領域に、強調させたり、置き換えたい平面がある場合は「Planar Tracker」を使用できます。2D平面のトラッキングは、移動するイメージのラベルや看板を変更するのに便利だけでなく、ショット内のモニターやテレビに画像を追加する目的でも使用できます。

「Planar Tracker」およびDaVinci ResolveのFusionページに搭載されている多数のパワフルなツールに関しては、DaVinci Resolveのマニュアルを参照してください。

作業のこつ FusionページでVFXを構築する上で、作成しているエフェクトが2Dであるか、3Dであるか理解することは重要です。エフェクトの種類により、使用するマージツールが異なるからです。1つの合成に2Dと3Dエフェクトを組み合わせることは多々あります。そういった場合、3D空間を使用しているVFXはすべて、2Dの合成にマージする前に、2Dのイメージとしてレンダリングする必要があります。

Fusionでの作業を楽しんでいただき、FusionのVFXをDaVinci Resolveの編集、カラー、Fairlightページと組み合わせて使用することで得られるメリットを理解していただければと思います。このようなツールが多数搭載されているDaVinci Resolveは、極めてパワフルであり、クリエイティビティを存分に発揮できるアプリケーションです。

編集のマスタリング

編集、カラーグレーディング、VFXの追加、オーディオミックスの作業が終わったので、次は他の人に送信するファイルの作成方法を説明します。ボタンを使用するか、メニューから「クイックエクスポート」を選択すると、タイムラインのコンテンツを様々なフォーマットのファイルで出力できます。あるいは、デリバーページの他の機能を使用して出力することも可能です。



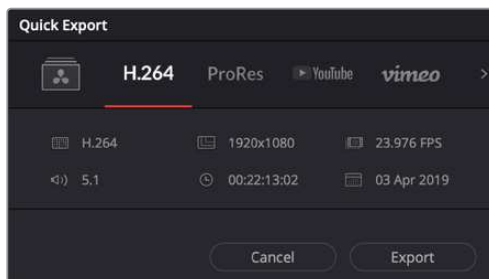
「デリバー」ページで編集を書き出せます。様々なビデオフォーマットとコーデックが選択可能です。

クイックエクスポート

「ファイル」>「クイックエクスポート」を選択すると、DaVinci Resolveのあらゆるページから、様々な書き出しプリセットを使用して、プログラムを書き出せます。また、「クイックエクスポート」では、YouTube、Vimeo、Frame.ioなどのサポートされているビデオ共有サービスにプログラムをアップロードすることも可能です。

「クイックエクスポート」を使用する：

- 1 エディット、Fusion、カラーページで、希望に応じてタイムラインでイン点とアウト点を設定して、書き出し範囲を選択します。イン点とアウト点を設定していない場合、タイムライン全体が書き出されます。
「ファイル」>「クイックエクスポート」を選択する。
- 2 「クイックエクスポート」ダイアログで表示される一番上の列から、使用したいプリセットを選択して、「書き出し」をクリックします。
- 3 「書き出し」ダイアログで保存先のディレクトリを選択し、ファイル名を入力し、「保存」をクリックします。進捗バーが表示され、書き出しに必要な時間が確認できます。



「書き出し」ダイアログ

デリバーページ

デリバーページでは、書き出すクリップを選択し、フォーマット、コーデック、解像度を指定します。書き出しは、8/10-bit非圧縮RGB/YUV、DNxHD、ProRes、H.264などのコーデックを使用して、QuickTime、AVI、MXF、DPXなど様々なフォーマットで実行できます。

編集を単一のクリップとして書き出す：

- 1 「デリバー」タブをクリックして、デリバーページを開きます。
- 2 ページ左上の「レンダー設定」ウィンドウに進みます。ここで、YouTube、Vimeo、オーディオプリセットなど、多くの書き出しプリセットから選択できます。または、デフォルトの「カスタム」プリセットに独自のパラメーターを入力して、独自の書き出し設定をマニュアルで設定することも可能です。例えば「YouTube」を選択し、次にプリセットの横にある矢印をクリックして1080pビデオフォーマットを選択します。
フレームレートは、プロジェクト設定のフレームレート設定にロックされます。
- 3 プリセットの下にタイムラインのファイル名と書き出したビデオのレンダリング先が表示されます。「ブラウズ」ボタンをクリックして、書き出したファイルの保存先を選択します。次にレンダー設定で「単一のクリップ」を選択します。
- 4 タイムラインの上に、「タイムライン全体」が選択されたオプションボックスが表示されます。これでタイムライン全体が書き出されますが、タイムラインの領域を選択することも可能です。「イン/アウトの範囲」を選択し、「I」および「O」のホットキーショートカットを使ってタイムラインでイン点/アウト点を選択します。
- 5 「レンダー設定」の下に行き、「レンダーキューに追加」をクリックします。

ページ右側のレンダーキューに、レンダー設定が追加されます。ここまでの作業が終わったら、後は「レンダー開始」をクリックして、レンダーキューでレンダリングの進行状況をモニタリングするだけです。

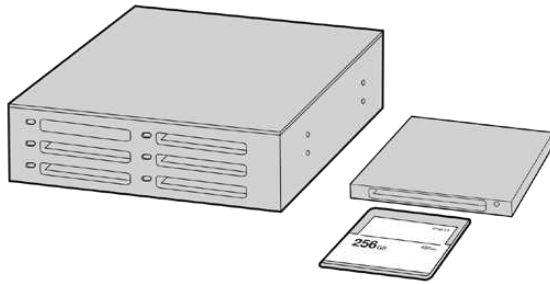
レンダリングが完了したら、書き出し先に指定したフォルダーを開き、レンダリングされた新しいクリップをダブルクリックして、完成した編集を確認できます。

以上で紹介した、編集、カラーコレクション、オーディオミキシング、VFXの追加の基礎情報を活かして、DaVinci Resolveで色々試してみることをお勧めします。DaVinci Resolveに搭載された、プロジェクトを最高の状態に導くための多数の機能の詳細は、DaVinci Resolveを参照してください。

サードパーティ製ソフトウェアの使用

DaVinci Resolveなど、お気に入りの編集ソフトウェアでクリップを編集するには、カメラから外付けドライブまたはRAIDにクリップをコピーして、ソフトウェアに読み込みます。CFast/SDカードではドックまたはアダプターを使用し、USB-CフラッシュディスクではUSB-Cポート経由でストレージメディアから直接クリップを読み込むことも可能です。

CFast 2.0/SDカードからのファイルでの作業



CFast/SDカードをカメラから取り出し、CFast 2.0リーダー/ライターまたはCFastドライブを使用してコンピューターにマウントすると直接編集できます。

CFast 2.0/SDカードからクリップを読み込む：

- 1 Blackmagic Pocket Cinema CameraからCFast/SDカードを取り出します。
CFast 2.0リーダー、SDカードリーダーあるいはCFastドライブを使用して、CFast/SDカードをMacまたはWindowsコンピューターにマウントします。
- 2 CFast/SDカードをダブルクリックして開くと、Blackmagic RAWファイルまたはQuickTimeムービーファイルのリストの入ったフォルダーが表示されます。撮影時に選択したフォーマットによっては、異なる種類のファイルが存在しますが、すべてのファイルは同一のファイル名定義に従います。
- 3 使用したいファイルをCFast/SDカードからデスクトップやその他のドライブにドラッグします。あるいは編集ソフトウェアで、直接CFast/SDカードのファイルにアクセスすることも可能です。
- 4 CFast/SDカードをコンピューターから取り出す際は、必ずmacOS/WindowsでCFastまたはSDカードをイジェクトして取り出してください。カードをイジェクトせずに取り出すと、フッテージが破損することがあります。

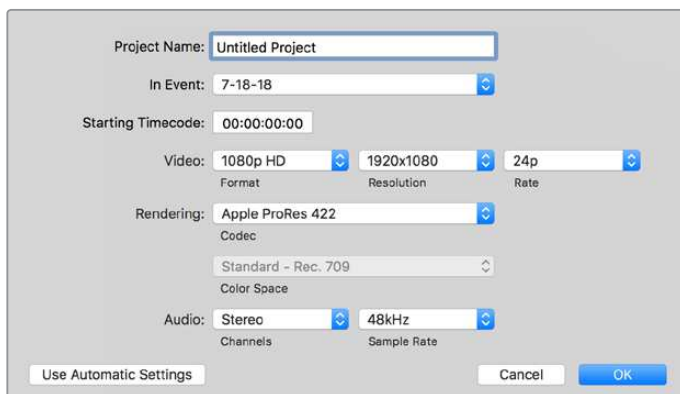
USB-Cフラッシュディスクでの作業

USB-Cフラッシュディスクからクリップを読み込む：

- 1 カメラからUSB-Cフラッシュディスクを取り外します。
- 2 コンピューターのUSB-Cポートで、USB-CフラッシュディスクをMacまたはWindowsコンピューターに接続します。リアルタイムのビデオ編集においてUSB 2.0は速度が十分でないため、USB 3.0の使用を推奨します。
- 3 USB-Cフラッシュディスクをダブルクリックして開くと、QuickTimeムービーファイルのリスト、またはBlackmagic RAWファイルの入ったフォルダーが表示されます。撮影時に選択したフォーマットによっては、異なる種類のファイルが存在しますが、すべてのファイルは同一のファイル名定義に従います。
- 4 使用したいファイルをUSB-Cフラッシュディスクからデスクトップやその他のハードドライブにドラッグします。NLE（ノンリニア編集）ソフトウェアで、直接USB-Cフラッシュディスクのファイルにアクセスすることも可能です。
- 5 USB-Cフラッシュディスクをコンピューターから取り外す際は、必ずイジェクトして取り外してください。

Final Cut Pro Xを使う

Final Cut Pro Xでクリップを編集するには、新しいプロジェクトを作成して、適切なビデオフォーマットおよびフレームレートを設定する必要があります。ここではProRes 422 HQ 1080p24を使用します。



Final Cut Pro Xのプロジェクト設定画面

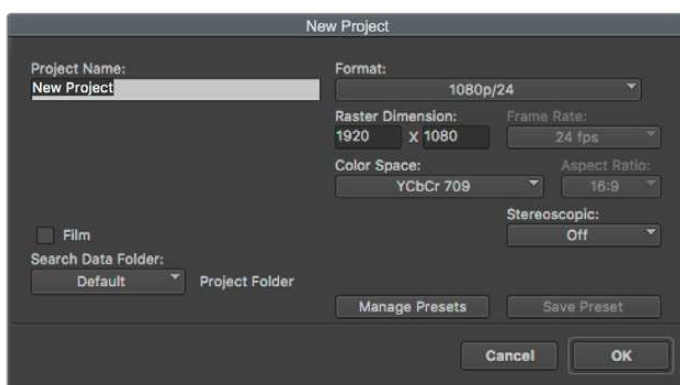
- 1 Final Cut Pro Xを起動してメニューバーへ行き、「File/New Project」を選択します。プロジェクト設定を含むウィンドウが開きます。
- 2 プロジェクトに名前を付け、「Custom」チェックボックスを選択します。
- 3 「Video」設定を1080p HD、1920×1080、24pに設定します。
- 4 「Audio」および「Rendering」設定をStereo、48kHz、Apple ProRes 422 HQに設定します。
- 5 「OK」をクリックします。

クリップをプロジェクトに読み込むには、メニューバーへ行き、「File/Import/Media」を選択します。CFastカードからクリップを選択します。

クリップをタイムラインにドラッグして編集を開始できます。

Avid Media Composer 2018を使う

Avid Media Composer 2018でクリップを編集するには、新しいプロジェクトを作成して、適切なビデオフォーマットおよびフレームレートを設定します。ここでは、クリップを1080p24に設定します。



Avid Media Composer 2018でプロジェクト名およびオプションを設定

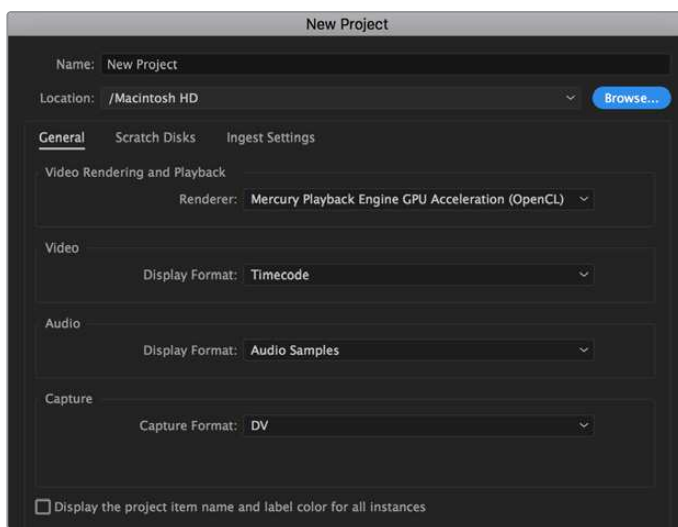
- 1 Avid Media Composer 2018を起動すると「Select Project」ウィンドウが表示されます。
- 2 「New Project」ボタンをクリックして、「New Project」ウィンドウでプロジェクト名を入力します。

- 3 「Format」ドロップダウンメニューで「HD 1080」>「1080p/24」を選択し、「OK」をクリックしてプロジェクトを作成します。
- 4 「Select Project」ウィンドウで、作成したプロジェクトをダブルクリックして開きます。
- 5 「File」>「Input」>「Source Browser」を選択し、読み込みたいファイルまで進みます。
- 6 ドロップダウンメニューから「Target Bin」を選択して「Import」をクリックします。

メディアビンにクリップが表示されたら、クリップをタイムラインにドラッグして編集します。

Adobe Premiere Pro CCを使う

Adobe Premiere Pro CCでApple ProRes 422 HQクリップを編集するには、新しいプロジェクトを作成して、適切なビデオフォーマットおよびフレームレートを設定する必要があります。ここでは、クリップをProRes 422 HQ 1080p25に設定します。



Adobe Premiere Pro CCでプロジェクト名およびオプションを設定

- 1 Adobe Premiere Pro CCを起動します。「Welcome」ウィンドウで「New Project」を選択します。プロジェクト設定を含むウィンドウが開きます。
- 2 プロジェクトに名前を付けます。「Browse」ボタンをクリックして使用するフォルダーを選び、プロジェクトの保存先を選択します。保存先フォルダーを選択したら、「New Project」ウィンドウで「OK」をクリックします。
- 3 Adobe Premiere Pro CCのメニューバーへ行き、「File/Import」を選択して編集したいクリップを選択します。「Project」ウィンドウにクリップが表示されます。
- 4 最初に編集したいクリップを、「Project」ウィンドウの右下にある「New Item」アイコンの上にドラッグします。クリップの設定に合った新しいシーケンスが作成されます。

クリップをシーケンス・タイムラインにドラッグして編集を開始できます。

Blackmagic Camera Setup Utility

カメラソフトウェアのアップデート - Mac

Blackmagic Camera Setup Utilityソフトウェアをダウンロードし、ダウンロードしたファイルを解凍します。ディスクイメージを開くとBlackmagic Camera Setup Installerが表示されます。

インストーラーを起動し、画面に表示される指示に従います。インストールが完了したら、アプリケーションフォルダーへ行き、Blackmagic Camerasフォルダーを開きます。そこには当マニュアル、Blackmagic Camera Setup Utility、そしてreadmeファイルおよびインフォメーションを含むドキュメントフォルダーが入っています。Blackmagic Camera Setupの最新バージョンにアップデートする際に必要なアンインストーラーも含まれます。



カメラソフトウェアのアップデート - Windows

Blackmagic Camera Setup Utilityソフトウェアをダウンロードし、ダウンロードしたファイルを解凍します。PDFマニュアルとBlackmagic Camera Utility Installerが入ったBlackmagic Camera Utilityフォルダーが表示されます。インストーラーをダブルクリックし、画面に表示される指示に従ってインストールします。

Windows 10では、「Start」ボタンを押して「All Apps」を選択します。「Blackmagic Design」フォルダーまでスクロールします。ここからBlackmagic Camera Setupを起動できます。

Windows 8.1では、「Start」スクリーンで下矢印を選択して「Blackmagic Design」フォルダーまでスクロールします。ここからBlackmagic Camera Setupを起動できます。

カメラ内部ソフトウェアのアップデート方法

コンピューターに最新のBlackmagic Camera Setup Utilityをインストールし、USB-Cケーブルでコンピューターとカメラを接続します。

USB-Cポートは左パネルにあります。ゴム製キャップを開けるとポートにアクセスできます。

Blackmagic Camera Setup Utilityを起動し、画面に表示される指示に従ってカメラソフトウェアをアップデートします。

推奨収録メディア

CFast 2.0カード

Pocket Cinema Camera 6K向け推奨メディア

Blackmagic Pocket Cinema Camera 6Kを使用した、6K Blackmagic RAW 5:1 (50fpsまで) の収録には、以下のCFast 2.0カードを推奨します。

メーカー	カード名	ストレージ
Angelbird	AV PRO CF XT	512GB
CinediskPro	510MB/s CFast 2.0	256GB
Hagiwara Solutions	DC-SMAN64GA CFast 2.0	64GB
Hagiwara Solutions	DC-SMANA1GA CFast 2.0	128GB
KomputerBay	3400x CFast 2.0	64GB
KomputerBay	3400x CFast 2.0	128GB
Lexar	Professional 3400X CFast 2.0	128GB
Lexar	Professional 3500X CFast 2.0	128GB
ProGrade Digital	510MB/s CFast 2.0	128GB
ProGrade Digital	550MB/s CFast 2.0	256GB
ProGrade Digital	550MB/s CFast 2.0	512GB
Transcend	CFX650 CFast 2.0 TS128GCFX650	128GB
SanDisk	Extreme Pro CFast 2.0 SDCFSP-64G-x46D	64GB
SanDisk	Extreme Pro CFast 2.0 SDCFSP-128G-x46D	128GB
SanDisk	Extreme Pro CFast 2.0 SDCFSP-256G-x46D	256GB
SanDisk	Extreme Pro CFast 2.0 SDCFSP-512G-x46D	512GB
Silicon Power	CFX310 CFast 2.0	512GB
Sony	CFast 2.0 G Series CAT-G64	64GB
Sony	CFast 2.0 G Series CAT-G128	128GB
Wise	CFA-2560 3400x CFast 2.0	256GB
Wise	CFA-5120 3500x CFast 2.0	512GB
Wise	CFA-10240 3500X CFast 2.0	1TB

Blackmagic Pocket Cinema Camera 6Kを使用した、6K 2.4:1 Blackmagic RAW 5:1 (60fpsまで) の収録には、以下のCFast 2.0カードを推奨します。

メーカー	カード名	ストレージ
Angelbird	AV PRO CF XT	512GB
CinediskPro	510MB/s CFast 2.0	256GB
Hagiwara Solutions	DC-SMAN64GA CFast 2.0	64GB
Hagiwara Solutions	DC-SMANA1GA CFast 2.0	128GB

メーカー	カード名	ストレージ
KomputerBay	3400x CFast 2.0	64GB
KomputerBay	3400x CFast 2.0	128GB
Lexar	Professional 3400X CFast 2.0	128GB
Lexar	Professional 3500X CFast 2.0	128GB
ProGrade Digital	510MB/s CFast 2.0	128GB
ProGrade Digital	550MB/s CFast 2.0	256GB
ProGrade Digital	550MB/s CFast 2.0	512GB
Transcend	CFX650 CFast 2.0 TS128GCFX650	128GB
SanDisk	Extreme Pro CFast 2.0 SDCFSP-64G-x46D	64GB
SanDisk	Extreme Pro CFast 2.0 SDCFSP-128G-x46D	128GB
SanDisk	Extreme Pro CFast 2.0 SDCFSP-256G-x46D	256GB
SanDisk	Extreme Pro CFast 2.0 SDCFSP-512G-x46D	512GB
Silicon Power	CFX310 CFast 2.0	256GB
Silicon Power	CFX310 CFast 2.0	512GB
Sony	CFast 2.0 G Series CAT-G64	64GB
Sony	CFast 2.0 G Series CAT-G128	128GB
Wise	CFA-1280 3400x CFast 2.0	128GB
Wise	CFA-2560 3400x CFast 2.0	256GB
Wise	CFA-5120 3500x CFast 2.0	512GB
Wise	CFA-10240 3500X CFast 2.0	1TB

Blackmagic Pocket Cinema Camera 6Kを使用した、2.8K 17:9 Blackmagic RAW 3:1 (120fpsまで)の収録には、以下のCFast 2.0カードを推奨します。

メーカー	カード名	ストレージ
Angelbird	AV PRO CF XT	512GB
CinediskPro	510MB/s CFast 2.0	256GB
Hagiwara Solutions	DC-SMAN64GA CFast 2.0	64GB
Hagiwara Solutions	DC-SMANA1GA CFast 2.0	128GB
KomputerBay	3400x CFast 2.0	64GB
KomputerBay	3400x CFast 2.0	128GB
Lexar	Professional 3400X CFast 2.0	128GB
Lexar	Professional 3500X CFast 2.0	128GB
Lexar	Professional 3400X CFast 2.0	256GB
ProGrade Digital	510MB/s CFast 2.0	128GB
ProGrade Digital	550MB/s CFast 2.0	256GB
ProGrade Digital	550MB/s CFast 2.0	512GB
Transcend	CFX650 CFast 2.0 TS128GCFX650	128GB

メーカー	カード名	ストレージ
SanDisk	Extreme Pro CFast 2.0 SDCFSP-64G-x46D	64GB
SanDisk	Extreme Pro CFast 2.0 SDCFSP-128G-x46D	128GB
SanDisk	Extreme Pro CFast 2.0 SDCFSP-256G-x46D	256GB
SanDisk	Extreme Pro CFast 2.0 SDCFSP-512G-x46D	512GB
Silicon Power	CFX310 CFast 2.0	256GB
Silicon Power	CFX310 CFast 2.0	512GB
Sony	CFast 2.0 G Series CAT-G64	64GB
Sony	CFast 2.0 G Series CAT-G128	128GB
Wise	CFA-1280 3400x CFast 2.0	128GB
Wise	CFA-2560 3400x CFast 2.0	256GB
Wise	CFA-5120 3500x CFast 2.0	512GB
Wise	CFA-10240 3500X CFast 2.0	1TB

Blackmagic Pocket Cinema Camera 6Kを使用した、4K DCI ProRes HQ (60fpsまで) の収録には、以下のCFast 2.0カードを推奨します。

メーカー	カード名	ストレージ
Angelbird	AV PRO CF XT	512GB
CinediskPro	510MB/s CFast 2.0	256GB
Hagiwara Solutions	DC-SMAN64GA CFast 2.0	64GB
Hagiwara Solutions	DC-SMANA1GA CFast 2.0	128GB
KomputerBay	3400x CFast 2.0	64GB
KomputerBay	3400x CFast 2.0	128GB
Lexar	Professional 3400X CFast 2.0	128GB
Lexar	Professional 3500X CFast 2.0	128GB
Lexar	Professional 3400X CFast 2.0	256GB
ProGrade Digital	510MB/s CFast 2.0	128GB
ProGrade Digital	550MB/s CFast 2.0	256GB
ProGrade Digital	550MB/s CFast 2.0	512GB
Transcend	CFX650 CFast 2.0 TS128GCFX650	128GB
SanDisk	Extreme Pro CFast 2.0 SDCFSP-64G-x46D	64GB
SanDisk	Extreme Pro CFast 2.0 SDCFSP-128G-x46D	128GB
SanDisk	Extreme Pro CFast 2.0 SDCFSP-256G-x46D	256GB
SanDisk	Extreme Pro CFast 2.0 SDCFSP-512G-x46D	512GB
Silicon Power	CFX310 CFast 2.0	256GB
Silicon Power	CFX310 CFast 2.0	512GB
Sony	CFast 2.0 G Series CAT-G64	64GB
Sony	CFast 2.0 G Series CAT-G128	128GB

メーカー	カード名	ストレージ
Wise	CFA-1280 3400x CFast 2.0	128GB
Wise	CFA-2560 3400x CFast 2.0	256GB
Wise	CFA-5120 3500x CFast 2.0	512GB
Wise	CFA-10240 3500X CFast 2.0	1TB

Blackmagic Pocket Cinema Camera 6Kを使用した、1080 ProRes 422 HQ (120fpsまで) の収録には、以下のCFast 2.0カードを推奨します。

メーカー	カード名	ストレージ
Angelbird	AV PRO CF XT	512GB
CinediskPro	510MB/s CFast 2.0	256GB
Hagiwara Solutions	DC-SMAN64GA CFast 2.0	64GB
Hagiwara Solutions	DC-SMANA1GA CFast 2.0	128GB
KomputerBay	3400x CFast 2.0	64GB
KomputerBay	3400x CFast 2.0	128GB
Lexar	Professional 3400X CFast 2.0	128GB
Lexar	Professional 3500X CFast 2.0	128GB
Lexar	Professional 3400X CFast 2.0	256GB
ProGrade Digital	510MB/s CFast 2.0	128GB
ProGrade Digital	550MB/s CFast 2.0	256GB
ProGrade Digital	550MB/s CFast 2.0	512GB
Transcend	CFX650 CFast 2.0 TS128GCFX650	128GB
SanDisk	Extreme Pro CFast 2.0 SDCFSP-64G-x46D	64GB
SanDisk	Extreme Pro CFast 2.0 SDCFSP-128G-x46D	128GB
SanDisk	Extreme Pro CFast 2.0 SDCFSP-256G-x46D	256GB
SanDisk	Extreme Pro CFast 2.0 SDCFSP-512G-x46D	512GB
Silicon Power	CFX310 CFast 2.0	256GB
Silicon Power	CFX310 CFast 2.0	512GB
Sony	CFast 2.0 G Series CAT-G64	64GB
Sony	CFast 2.0 G Series CAT-G128	128GB
Wise	CFA-1280 3400x CFast 2.0	128GB
Wise	CFA-2560 3400x CFast 2.0	256GB
Wise	CFA-5120 3500x CFast 2.0	512GB
Wise	CFA-10240 3500X CFast 2.0	1TB

Pocket Cinema Camera 4K向け推奨メディア

Blackmagic Pocket Cinema Camera 4Kを使用した、4K DCI Blackmagic RAW 3:1 (60fpsまで) の収録には、以下のCFast 2.0カードを推奨します。

メーカー	カード名	ストレージ
Angelbird	AV PRO CF	512GB
Angelbird	AV PRO CF	1TB
CinediskPro	510MB/s CFast 2.0	256GB
Hagiwara Solutions	DC-SMAN64GA CFast 2.0	64GB
Hagiwara Solutions	DC-SMANA1GA CFast 2.0	128GB
KomputerBay	3400x CFast 2.0	64GB
KomputerBay	3400x CFast 2.0	128GB
KomputerBay	3700x CFast 2.0	256GB
Lexar	Professional 3400x CFast 2.0	128GB
Lexar	Professional 3500x CFast 2.0	256GB
ProGrade Digital	550MB/s CFast 2.0	128GB
ProGrade Digital	550MB/s CFast 2.0	256GB
ProGrade Digital	550MB/s CFast 2.0	512GB
SanDisk	Extreme Pro CFast 2.0 SDCFSP-256G-x46D	512GB
Wise	CFA-1280 3400x CFast 2.0	128GB
Wise	CFA-2560 3400x CFast 2.0	256GB
Wise	CFA-5120 3500x CFast 2.0	512GB
Wise	CFA-10240 3500x CFast 2.0	1TB

Blackmagic Pocket Cinema Camera 4Kを使用した、4K DCI ProRes HQ (60fpsまで) の収録には、以下のCFast 2.0カードを推奨します。

メーカー	カード名	ストレージ
Angelbird	AV PRO CF	128GB
Angelbird	AV PRO CF	256GB
Angelbird	AV PRO CF	512GB
CinediskPro	510MB/s CFast 2.0	256GB
Hagiwara Solutions	DC-SMAN64GA CFast 2.0	64GB
Hagiwara Solutions	DC-SMANA1GA CFast 2.0	128GB
KomputerBay	3400x CFast 2.0	128GB
KomputerBay	3700x CFast 2.0	256GB
ProGrade Digital	550MB/s CFast 2.0	256GB
ProGrade Digital	550MB/s CFast 2.0	512GB
SanDisk	Extreme Pro CFast 2.0 SDCFSP-64G-x46D	64GB
SanDisk	Extreme Pro CFast 2.0 SDCFSP-128G-x46D	128GB

メーカー	カード名	ストレージ
SanDisk	Extreme Pro CFast 2.0 SDCFSP-256G-x46D	256GB
Sony	CFast 2.0 G Series CAT-G64	64GB
Sony	CFast 2.0 G Series CAT-G128	128GB
Wise	CFA-1280 3400x CFast 2.0	128GB
Wise	CFA-2560 3400x CFast 2.0	256GB
Wise	CFA-5120 3500x CFast 2.0	512GB
Wise	CFA-10240 3500x CFast 2.0	1TB

Blackmagic Pocket Cinema Camera 4Kを使用した、4K DCIロスレスRAW (30fpsまで) の収録には、以下のCFast 2.0カードを推奨します。

メーカー	カード名	ストレージ
Angelbird	AV PRO CF	128GB
Angelbird	AV PRO CF	256GB
Angelbird	AV PRO CF	512GB
CinediskPro	510MB/s CFast 2.0	256GB
KomputerBay	3400x CFast 2.0	128GB
ProGrade Digital	550MB/s CFast 2.0	256GB
ProGrade Digital	550MB/s CFast 2.0	512GB
SanDisk	Extreme Pro CFast 2.0 SDCFSP-64G-x46D	64GB
SanDisk	Extreme Pro CFast 2.0 SDCFSP-128G-x46D	128GB
SanDisk	Extreme Pro CFast 2.0 SDCFSP-256G-x46D	256GB
Sony	CFast 2.0 G Series CAT-G64	64GB
Sony	CFast 2.0 G Series CAT-G128	128GB
Wise	CFA-1280 3400x CFast 2.0	128GB
Wise	CFA-2560 3400x CFast 2.0	256GB
Wise	CFA-5120 3500x CFast 2.0	512GB

Blackmagic Pocket Cinema Camera 4Kを使用した、4K DCI 3:1 RAW (60fpsまで) の収録には、以下のCFast 2.0カードを推奨します。

メーカー	カード名	ストレージ
Angelbird	AV PRO CF	128GB
Angelbird	AV PRO CF	256GB
Angelbird	AV PRO CF	512GB
CinediskPro	510MB/s CFast 2.0	256GB
KomputerBay	3400x CFast 2.0	128GB
ProGrade Digital	550MB/s CFast 2.0	256GB
ProGrade Digital	550MB/s CFast 2.0	512GB

メーカー	カード名	ストレージ
SanDisk	Extreme Pro CFast 2.0 SDCFSP-64G-x46D	64GB
SanDisk	Extreme Pro CFast 2.0 SDCFSP-128G-x46D	128GB
SanDisk	Extreme Pro CFast 2.0 SDCFSP-256G-x46D	256GB
Sony	CFast 2.0 G Series CAT-G64	64GB
Sony	CFast 2.0 G Series CAT-G128	128GB
Wise	CFA-1280 3400x CFast 2.0	128GB
Wise	CFA-2560 3400x CFast 2.0	256GB
Wise	CFA-5120 3500x CFast 2.0	512GB

SDカード

Pocket Cinema Camera 6K向け推奨メディア

Blackmagic Pocket Cinema Camera 6Kを使用した、6K 16:9 Blackmagic RAW 5:1 (30fpsまで) の収録には、以下のSDカードを推奨します。

メーカー	カード名	ストレージ
Angelbird	AV PRO SD V90	64GB
Sony	Tough SF-G32T	32GB
Sony	Tough SF-G64T	64GB
Sony	Tough SF-G128T	128GB
Toshiba	Exceria Pro UHS-II 270MB/s SDXC	64GB
Wise	SD2-128U3 SDXC UHS-II	128GB

Blackmagic Pocket Cinema Camera 6Kを使用した、6K 16:9 Blackmagic RAW 8:1 (30fpsまで) の収録には、以下のSDカードを推奨します。

メーカー	カード名	ストレージ
Angelbird	AV PRO SD V90	64GB
Sony	Tough SF-G32T	32GB
Sony	Tough SF-G64T	64GB
Sony	Tough SF-G128T	128GB
Toshiba	Exceria Pro UHS-II 270MB/s SDXC	64GB
Toshiba	Exceria Pro UHS-II 270MB/s SDXC	128GB
Toshiba	Exceria Pro UHS-II N502 SDXC	128GB
Wise	SD2-128U3 SDXC UHS-II	128GB

Blackmagic Pocket Cinema Camera 6Kを使用した、6K 2.4:1 Blackmagic RAW 12:1 (60fpsまで) の収録には、以下のSDカードを推奨します。

メーカー	カード名	ストレージ
Angelbird	AV PRO SD V90	64GB
Sony	Tough SF-G32T	32GB
Sony	Tough SF-G64T	64GB
Sony	Tough SF-G128T	128GB
Toshiba	Exceria Pro UHS-II 270MB/s SDXC	64GB
Toshiba	Exceria Pro UHS-II 270MB/s SDXC	128GB
Toshiba	Exceria Pro UHS-II N502 SDXC	128GB

Blackmagic Pocket Cinema Camera 6Kを使用した、4K DCI ProRes HQ (60fpsまで) の収録には、以下のSDカードを推奨します。

メーカー	カード名	ストレージ
Angelbird	AV PRO SD V90	64GB
Delkin Devices	Power SDXC USH-II	64GB
Delkin Devices	Prime SDXC USH-II	128GB
ProGrade Digital	V90 UHS-II 250MB/s SDXC	128GB
ProGrade Digital	V90 UHS-II 250MB/s SDXC	256GB
Sony	Tough SF-G32T	32GB
Sony	Tough SF-G64T	64GB
Sony	Tough SF-G128T	128GB
Wise	SD2-64U3 SDXC UHS-II	64GB
Wise	SD2-128U3 SDXC UHS-II	128GB
Toshiba	Exceria Pro UHS-II N502 SDXC	128GB

Blackmagic Pocket Cinema Camera 6Kを使用した、1080 ProRes 422 HQ (120fpsまで) の収録には、以下のSDカードを推奨します。

メーカー	カード名	ストレージ
Angelbird	AV PRO SD V90	64GB
Delkin Devices	Power SDXC USH-II	64GB
Delkin Devices	Prime SDXC USH-II	128GB
Lexar	Professional 2000x UHS-II 300MB/s SDXC	64GB
Lexar	Professional 2000x UHS-II 300MB/s SDXC	128GB
ProGrade Digital	V90 UHS-II 250MB/s SDXC	256GB
Sony	Tough SF-G32T	32GB
Sony	Tough SF-G64T	64GB
Sony	Tough SF-G128T	128GB

メーカー	カード名	ストレージ
Toshiba	Exceria Pro UHS-II 270MB/s SDXC	64GB
Toshiba	Exceria Pro UHS-II 270MB/s SDXC	128GB
Toshiba	Exceria Pro UHS-II N502 SDXC	128GB
Toshiba	Exceria Pro UHS-II N502 SDXC	256GB
Wise	SD2-64U3 SDXC UHS-II	64GB
Wise	SD2-128U3 SDXC UHS-II	128GB

Pocket Cinema Camera 4K向け推奨メディア

Blackmagic Pocket Cinema Camera 4Kを使用した、4K DCI Blackmagic RAW 12:1 (30fpsまで) の収録には、以下のSDカードを推奨します。

メーカー	カード名	ストレージ
Angelbird	AV PRO SD V90	64GB
Delkin Devices	Power UHS-II SDXC	64GB
Delkin Devices	Power UHS-II SDXC	128GB
Lexar	Professional 2000x UHS-II 300MB/s SDXC	64GB
ProGrade Digital	V90 UHS-II 250MB/s SDXC	256GB
SanDisk	Extreme Pro UHS-I 95MB/s SDXC	512GB
Sony	Tough SF-G64T	64GB
Sony	Tough SF-G128T	128GB
Sony	SF-G64 300MB/s UHS-II SDXC	64GB
Toshiba	Exceria Pro UHS-II N502 SDHC	32GB
Toshiba	Exceria Pro UHS-II 270MB/s SDXC	64GB
Wise	SD2-64U3 SDXC UHS-II	64GB
Wise	SD2-128U3 SDXC UHS-II	128GB
Wise	SD2-128U3 SDXC UHS-II	128GB

Blackmagic Pocket Cinema Camera 4Kを使用した、4K DCI ProRes HQ (60fpsまで) の収録には、以下のSDカードを推奨します。

メーカー	カード名	ストレージ
Wise	SD2-64U3 SDXC UHS-II	64GB
Wise	SD2-128U3 SDXC UHS-II	128GB
Sony	Tough SF-G64T	64GB
Sony	Tough SF-G128T	128GB

Blackmagic Pocket Cinema Camera 4Kを使用した、4K DCI 4:1 RAW (60fpsまで) の収録には、以下のSDカードを推奨します。

メーカー	カード名	ストレージ
Sony	Tough SF-G64T	64GB
Sony	Tough SF-G128T	128GB
Toshiba	Exceria Pro UHS-II N502 SDXC	32GB

Blackmagic Pocket Cinema Camera 4Kを使用した、4K DCIロスレスRAW (24fpsまで) の収録には、以下のSDカードを推奨します。

メーカー	カード名	ストレージ
Wise	SD2-64U3 SDXC UHS-II	64GB
Wise	SD2-128U3 SDXC UHS-II	128GB
Toshiba	Exceria Pro UHS-II N502 SDXC	32GB
Sony	Tough SF-G64T	64GB
Sony	Tough SF-G128T	128GB

Blackmagic Pocket Cinema Camera 4Kを使用した、1080pロスレスRAW (60fpsまで) の収録には、以下のSDカードを推奨します。

メーカー	カード名	ストレージ
Wise	SD2-64U3 SDXC UHS-II	64GB
Wise	SD2-128U3 SDXC UHS-II	128GB
Sony	Tough SF-G64T	64GB
Sony	Tough SF-G128T	128GB
Toshiba	Exceria Pro UHS-II N502 SDXC	32GB
Toshiba	Exceria Pro UHS-II N502 SDXC	64GB
Toshiba	Exceria Pro UHS-II N502 SDXC	128GB
Toshiba	Exceria Pro UHS-II N502 SDXC	256GB
Sony	Tough SF-G128T	128GB

USB-C SSD

Pocket Cinema Camera 6K向け推奨メディア

Blackmagic Pocket Cinema Camera 6Kを使用した、6K Blackmagic RAW 5:1 (50fpsまで) の収録には、以下のUSB-Cドライブを推奨します。

メーカー	カード名	ストレージ
Wise	PTS-1024 Portable SSD	1TB

Blackmagic Pocket Cinema Camera 6Kを使用した、6K 2.4:1 Blackmagic RAW 5:1 (60fpsまで) の収録には、以下のUSB-Cドライブを推奨します。

メーカー	カード名	ストレージ
Samsung	Portable SSD T5	250GB
Samsung	Portable SSD T5	2TB
Wise	PTS-1024 Portable SSD	1TB

Blackmagic Pocket Cinema Camera 6Kを使用した、2.8K 17:9 Blackmagic RAW 3:1 (120fpsまで) の収録には、以下のUSB-Cドライブを推奨します。

メーカー	カード名	ストレージ
Samsung	Portable SSD T5	250GB
Samsung	Portable SSD T5	2TB
Wise	PTS-512 Portable SSD	512GB
Wise	PTS-1024 Portable SSD	1TB

Blackmagic Pocket Cinema Camera 6Kを使用した、4K DCI ProRes HQ (60fpsまで) の収録には、以下のUSB-Cドライブを推奨します。

メーカー	カード名	ストレージ
Samsung	Portable SSD T5	250GB
Samsung	Portable SSD T5	1TB
Samsung	Portable SSD T5	2TB
SanDisk	Extreme Portable SSD	1TB
Wise	PTS-512 Portable SSD	512GB
Wise	PTS-1024 Portable SSD	1TB
Wise	PTS-1024 Portable SSD	1TB

Blackmagic Pocket Cinema Camera 6Kを使用した、1080 ProRes 422 HQ (120fpsまで) の収録には、以下のUSB-Cドライブを推奨します。

メーカー	カード名	ストレージ
Samsung	Portable SSD T5	250GB
Samsung	Portable SSD T5	1TB
Samsung	Portable SSD T5	2TB
SanDisk	Extreme Portable SSD	1TB
Wise	PTS-512 Portable SSD	512GB
Wise	PTS-1024 Portable SSD	1TB
Wise	PTS-1024 Portable SSD	1TB

Pocket Cinema Camera 4K向け推奨メディア

Blackmagic Pocket Cinema Camera 4Kを使用した、4K DCI Blackmagic RAW 3:1 (60fpsまで) の収録には、以下のUSB-Cドライブを推奨します。

メーカー	カード名	ストレージ
Angelbird	SSD2GO PKT	512GB
Angelbird	SSD2GO PKT	2TB
G-Technology	G-DRIVE Mobile SSD	1TB
Samsung	Portable SSD T5	2TB
Wise	PTS-512 Portable SSD	512GB

Blackmagic Pocket Cinema Camera 4Kを使用した、4K DCI ProRes HQ (60fpsまで) の収録には、以下のUSB-Cドライブを推奨します。

メーカー	カード名	ストレージ
Angelbird	SSD2GO PKT	512GB
Angelbird	SSD2GO PKT	2TB
Glyph	Atom	500GB
Lacie	Portable SSD	500GB
Samsung	Portable SSD T5	500GB
Samsung	Portable SSD T5	1TB
SanDisk	Extreme Portable SSD	1TB
Seagate	Fast SSD	250GB
Wise	PTS-256 Portable SSD	256GB
Wise	PTS-512 Portable SSD	512GB
Wise	PTS-1024 Portable SSD	1TB

Blackmagic Pocket Cinema Camera 4Kを使用した、4K DCIロスレスRAW (30fpsまで) の収録には、以下のUSB-Cドライブを推奨します。

メーカー	カード名	ストレージ
Angelbird	SSD2GO PKT	512GB
Angelbird	SSD2GO PKT	2TB
Samsung	Portable SSD T5	1TB
Wise	PTS-256 Portable SSD	256GB
Wise	PTS-512 Portable SSD	512GB
Wise	PTS-1024 Portable SSD	1TB

Blackmagic Pocket Cinema Camera 4Kを使用した、4K DCI 3:1 RAW (60fpsまで) の収録には、以下のUSB-Cドライブを推奨します。

メーカー	カード名	ストレージ
Angelbird	SSD2GO PKT	512GB
Angelbird	SSD2GO PKT	2TB
Samsung	Portable SSD T5	500GB
Samsung	Portable SSD T5	1TB
Wise	PTS-256 Portable SSD	256GB
Wise	PTS-512 Portable SSD	512GB
Wise	PTS-1024 Portable SSD	1TB

ヘルプライン

すぐに情報が必要な方は、Blackmagic Designオンラインサポートページで、Blackmagic Cameraの最新サポート情報を確認できます。

Blackmagic Designオンラインサポートページ

最新のマニュアル、ソフトウェア、サポートノートは、www.blackmagicdesign.com/jp/supportのBlackmagicサポートセンターで確認できます。

Blackmagic Designサポートに連絡する

サポートページで必要な情報を得られなかった場合は、サポートページの「メールを送信」ボタンを使用して、サポートのリクエストをメール送信してください。あるいは、サポートページの「お住まいの地域のサポートオフィス」をクリックして、お住まいの地域のBlackmagic Designサポートオフィスに電話でお問い合わせください。

現在インストールされているソフトウェアのバージョンを確認

コンピューターにインストールされているBlackmagic Camera Setup Utilityソフトウェアのバージョンを確認するには、「About Blackmagic Camera Setup Utility」ウィンドウを開きます。

- macOSでは、アプリケーションフォルダーから「Blackmagic Camera Setup Utility」を開きます。アプリケーションメニューから「About Blackmagic Camera Setup Utility」を選択し、バージョンを確認します。
- Windowsでは、スタートメニューあるいはスタート画面から「Blackmagic Camera Setup Utility」を開きます。ヘルプメニューをクリックして「About Blackmagic Camera Setup Utility」を選択し、バージョンを確認します。

最新のソフトウェアアップデートを入手する

コンピューターにインストールされたBlackmagic Camera Utilityのバージョンを確認した後、Blackmagicサポートセンター (www.blackmagicdesign.com/jp/support) で最新のソフトウェアアップデートをチェックしてください。常に最新のソフトウェアを使用することを推奨しますが、重要なプロジェクトの実行中は、ソフトウェアのアップデートは行わない方がよいでしょう。

規制に関する警告

欧州連合内での電気機器および電子機器の廃棄処分



製品に記載されている記号は、当該の機器を他の廃棄物と共に処分してはならないことを示しています。機器を廃棄するには、必ずリサイクルのために指定の回収場所に引き渡してください。機器の廃棄において個別回収とリサイクルが行われることで、天然資源の保護につながり、健康と環境を守る方法でリサイクルが確実に行われるようになります。廃棄する機器のリサイクルのための回収場所に関しては、お住いの地方自治体のリサイクル部門、または製品を購入した販売業者にご連絡ください。

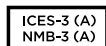


この機器は、FCC規定の第15部に準拠し、クラスAデジタル機器の制限に適合していることが確認されています。これらの制限は、商用環境で機器を使用している場合に有害な干渉に対する妥当な保護を提供するためのものです。この機器は無線周波エネルギーを生成、使用、放出する可能性があります。また、指示に従ってインストールおよび使用しない場合、無線通信に有害な干渉を引き起こす恐れがあります。住宅地域で当製品を使用すると有害な干渉を引き起こす可能性があり、その場合はユーザーが自己責任で干渉に対処する必要があります。

動作は次の2つを条件とします：

- 1 本機は、有害な干渉を起こさない。
- 2 本機は希望しない動作を発生しかねない干渉を含む、いかなる受信干渉も受け入れる必要がある。

ISED Canadaステートメント



本機は、カナダのクラスAデジタル機器の規格に準拠しています。

本機のいかなる改造、あるいは目的の用途以外での使用は、これらの規格への順守を無効にすることがあります。

HDMIインターフェースへの接続は、必ず高品質のシールドHDMIケーブルを使用する必要があります。

本機は、商業環境で目的の用途に順守した使用においてテストを行なっています。非商業環境で使用された場合、無線妨害を引き起こす可能性があります。

Bluetooth®

本機はBluetoothワイヤレステクノロジーが有効化されている製品です。

次のFCC IDの無線モジュールを含む：QOQBGM113

本機は、制御されていない環境に対して規定されたFCC被曝制限に準拠しています。

次のICの無線モジュールを含む：5123A-BGM113

本機は、カナダ産業省 (IC) のライセンス免除RSS規格に準拠しており、RSS-102 Issue 5に明記されている定期的なSAR試験の免除の上限規定を順守しています。

技術基準適合証明番号：209-J00204 本機は、電波法の技術基準適合証明を取得した特定無線設備です。

本モジュールは韓国のKCマークを取得しています。MSIP-CRM-BGT-BGM113

Blackmagic Designは、本機が2.4GHz帯ISMバンドの広帯域伝送システムを使用しており、無線機器指令2014/53/EUに準拠することをここに宣言します。

EUの「適合宣言」文書の全文は、compliance@blackmagicdesign.comから入手できます。

安全情報

Blackmagic Pocket Cinema Cameraは、周囲温度が最高40°Cまでの熱帯地区での使用に適しています。

この製品の内部には、ユーザーが保守できる部品はありません。サービスに関しては、お近くのBlackmagic Designのサービスセンターにお問い合わせください。

日が当たる条件では、カメラやリチウム電池が長期間にわたって太陽光にさらされないように、カメラに日よけを使用したり、日陰に移すなどの考慮をしてください。リチウム電池は、あらゆる熱源に近づけないでください。



同梱の電源アダプターを使用する場合、海拔2000m以上では使用しないでください。

カリフォルニア州ステートメント

この製品のユーザーは、プラスチック部品内の微量の多臭素化ビフェニルなどの化学物質にさらされる可能性があります。カリフォルニア州は、多臭素化ビフェニルは発がん性があり、先天異常や生殖機能へ危害を及ぼす物質であると認識しています。

詳細は、以下のウェブサイトをご確認ください。www.P65Warnings.ca.gov

保証

限定保証

Blackmagic Designは、お買い上げの日から12ヶ月間、本製品の部品および仕上がりについて瑕疵がないことを保証します。この保証期間内に製品に瑕疵が見つかった場合、Blackmagic Designは弊社の裁量において部品代および人件費無料で該当製品の修理、あるいは製品の交換のいずれかで対応いたします。

この保証に基づいたサービスを受ける際、お客様は必ず保証期限終了前にBlackmagic Designに瑕疵を通知し、適応する保証サービスの手続きを行ってください。お客様の責任において不良品を梱包し、Blackmagic Designが指定するサポートセンターへ配送料前払で送付いただきますようお願い致します。理由の如何を問わず、Blackmagic Designへの製品返送のための配送料、保険、関税、税金、その他すべての費用はお客様の自己負担となります。

不適切な使用、または不十分なメンテナンスや取扱いによる不具合、故障、損傷に対しては、この保証は適用されません。Blackmagic Designはこの保証で、以下に関してサービス提供義務を負わないものとします。a) 製品のインストールや修理、サービスを行うBlackmagic Design販売代理人以外の者によって生じた損傷の修理、b) 不適切な使用や互換性のない機器への接続によって生じた損傷の修理、c) Blackmagic Designの部品や供給品ではない物を使用して生じたすべての損傷や故障の修理、d) 改造や他製品との統合により時間増加や製品の機能低下が生じた場合のサービス。

この保証はBlackmagic Designが保証するもので、明示または黙示を問わず他の保証すべてに代わるものです。Blackmagic Designとその販売社は、商品性と特定目的に対する適合性のあらゆる黙示保証を拒否します。製品保証期間のBlackmagic Designの不良品の修理あるいは交換の責任が、特別に、間接的、偶発的、または結果的に生じる損害に対して、Blackmagic Designあるいは販売社がそのような損害の可能性についての事前通知を得ているか否かに関わらず、お客様に提供される完全唯一の救済手段となります。Blackmagic Designはお客様による機器のあらゆる不法使用に対して責任を負いません。Blackmagic Designは本製品の使用により生じるあらゆる損害に対して責任を負いません。使用者は自己の責任において本製品を使用するものとします。

© Copyright 2019 Blackmagic Design 著作権所有、無断複写・転載を禁じます。「Blackmagic Design」、「URSA」、「DeckLink」、「HDLINK」、「Workgroup Videohub」、「Multibridge Pro」、「Multibridge Extreme」、「Intensity」、「Leading the creative video revolution」は、米国ならびにその他諸国での登録商標です。その他の企業名ならびに製品名全てはそれぞれ関連する会社の登録商標である可能性があります。

Bluetoothという言葉、マークおよびロゴは、Bluetooth SIG, Inc.が所有する登録商標であり、Blackmagic Designはこれらのマークをライセンスに基づいて使用しています。その他の商標およびトレードネームは、それぞれの所有者に帰属します。



Manuel d'installation et d'utilisation

Blackmagic Pocket Cinema Camera

Inclut la Blackmagic Pocket Cinema Camera 6K
et la Blackmagic Pocket Cinema Camera 4K

Novembre 2019

Français



Chère cliente, cher client,

Nous vous remercions d'avoir fait l'acquisition d'une Blackmagic Pocket Cinema Camera.

En 2013, nous avons sorti la Blackmagic Pocket Cinema Camera originale. Nous étions ravis de créer une caméra compacte dotée d'une large plage dynamique et offrant une qualité d'image spectaculaire, que vous pouviez emporter partout. À la suite de vos retours et pour répondre à vos attentes concernant la sortie d'une version 4K, nous avons lancé la Blackmagic Pocket Cinema Camera 4K en 2018. Aujourd'hui, nous sommes fiers de vous présenter la Blackmagic Pocket Cinema Camera 6K !

La Blackmagic Pocket Cinema Camera 6K est dotée d'un capteur Super 35mm et d'une monture d'objectif EF. La Blackmagic Pocket Cinema Camera 4K est équipée de la même monture d'objectif Micro 4/3 que son modèle original, vous permettant d'utiliser les objectifs Micro 4/3 que vous possédez déjà. La Blackmagic Pocket Cinema Camera 4K enregistre des vidéos 4K jusqu'à 60 images par seconde, et jusqu'à 120 images par seconde en HD sur des cartes CFast ou SD UHS-II. La Blackmagic Pocket Cinema Camera 6K permet également d'enregistrer de la vidéo en 2.8K à 120 images par seconde et en 6K jusqu'à 60 images par seconde. Le port USB-C vous permet d'enregistrer sur des disques externes. Il vous suffit ensuite de débrancher le disque de votre caméra et de le connecter directement à votre ordinateur.

Avec sa plage dynamique de 13 diaphragmes et ses deux ISO natifs, vous pouvez capturer d'éblouissantes images cinématographiques dans différentes conditions d'éclairage. L'écran LCD tactile intégré de 5 pouces vous permet de vérifier rapidement la mise au point et de visualiser tous les détails, même en plein jour. En outre, les quatre microphones intégrés vous offrent de l'audio de qualité directement depuis la caméra.

Le boîtier des Blackmagic Pocket Cinema Camera est en matériau composite de fibre de carbone. Cela les rend à la fois extrêmement robustes et très légères, ce qui vous permet de les emporter dans tous vos déplacements. Vous pouvez alimenter les caméras à l'aide de batteries LP-E6 standard, d'un adaptateur AC ou d'une source d'alimentation externe DC 12V. Nous sommes également très heureux d'inclure le codec Blackmagic RAW, qui offre la polyvalence du traitement RAW dans un seul fichier et une optimisation des performances dans une taille de fichier réduite.

Nous attendons avec impatience de découvrir vos projets avec votre nouvelle Blackmagic Pocket Cinema Camera, et de recevoir vos feedbacks et idées concernant de nouvelles fonctionnalités !

Grant Petty

PDG de Blackmagic Design

Sommaire

Quelle caméra utilisez-vous ?	299	Onglet Préréglages	376
Mise en route	300	LUTs 3D	378
Monter un objectif	300	Saisie des métadonnées	381
Allumer la caméra	301	Clap	381
Utiliser la Blackmagic Pocket Camera Battery Grip	301	Sortie vidéo de la caméra	386
Alimenter la caméra avec le câble d'alimentation inclus	303	Utiliser DaVinci Resolve	387
Supports de stockage	304	Gestionnaire de projet	387
Cartes CFast	304	Monter avec la page Cut	388
Cartes SD	305	Ajouter des clips à la timeline	391
Disques flash USB-C	307	Monter des clips dans la timeline	392
Préparer les supports pour l'enregistrement	309	Ajouter des titres	392
Préparer un support sur la Blackmagic Pocket Cinema Camera	309	Travailler avec des fichiers Blackmagic RAW	393
Préparer le support sur Mac	311	Étalonner vos clips avec la page Étalonnage	396
Préparer le support sur Windows	312	Ajouter une Power Window	399
Enregistrement	313	Utilisation de plug-ins	401
Enregistrer des clips	313	Mixer l'audio	402
Blackmagic RAW	314	Ajouter des VFX et des compositions sur la page Fusion	406
Enregistrer en Blackmagic RAW	315	Mastériser votre montage	415
Fréquences d'images maximales du capteur	317	Exportation rapide	415
Durée d'enregistrement	319	Page Exportation	416
Lecture	324	Travailler avec un logiciel tiers	416
Caractéristiques de la caméra	325	Travailler avec des fichiers provenant de cartes CFast 2.0 et de cartes SD	417
Face avant de la caméra	325	Travailler avec des fichiers provenant de disques flash USB-C	417
Face droite	326	Utiliser Final Cut Pro X	418
Face gauche	326	Utiliser Avid Media Composer 2018	418
Face supérieure	328	Utiliser Adobe Premiere Pro CC	419
Face inférieure	329	Blackmagic Camera Setup Utility	420
Face arrière	330	Supports d'enregistrement recommandés	421
Commandes de l'écran tactile	331	Cartes CFast 2.0	421
Réglages	352	Cartes SD	427
Menu de navigation	352	SSD USB-C	431
Onglet Enregistrer	352	Assistance	434
Convention de dénomination des fichiers	357	Avis réglementaires	435
Onglet Moniteur	358	Informations de sécurité	436
Onglet Audio	364	Garantie	437
Onglet Réglages	367		

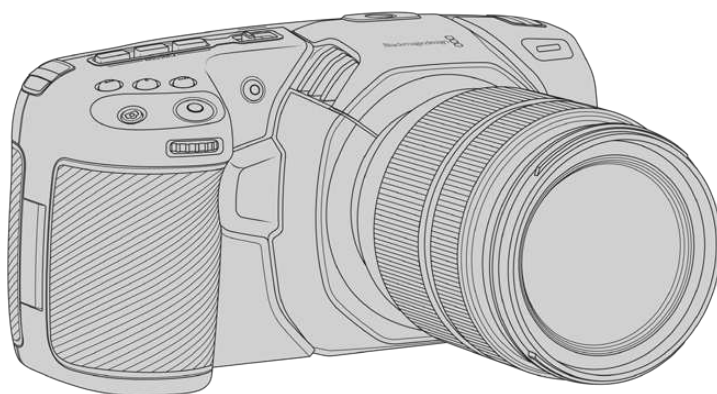
Quelle caméra utilisez-vous ?

Les modèles Blackmagic Pocket Cinema Camera 4K et Blackmagic Pocket Cinema Camera 6K se ressemblent sur plusieurs points. En effet, les deux caméras produisent des images d'une qualité exceptionnelle et disposent d'une large plage dynamique, tout en conservant le même boîtier. Les boutons de commande et les menus à l'écran sont similaires et les caméras s'opèrent de la même façon.

Cependant, la Blackmagic Pocket Cinema Camera 6K comprend un capteur de taille Super 35mm et une monture d'objectif EF, ainsi qu'une icône « 6K » sur la monture. La Blackmagic Pocket Cinema Camera 4K comprend quant à elle un capteur de taille Micro 4/3, ainsi qu'une monture d'objectif Micro 4/3.



Blackmagic Pocket Cinema Camera 6K



Blackmagic Pocket Cinema Camera 4K

Mise en route

La Blackmagic Pocket Cinema Camera est une caméra numérique portable et compacte capable d'enregistrer des images de haute qualité sur des cartes CFast 2.0, SD UHS-I et UHS-II, ou sur un SSD via le port USB-C. Elle enregistre des images en formats professionnels conçus pour la post-production, dont le Blackmagic RAW et le ProRes.

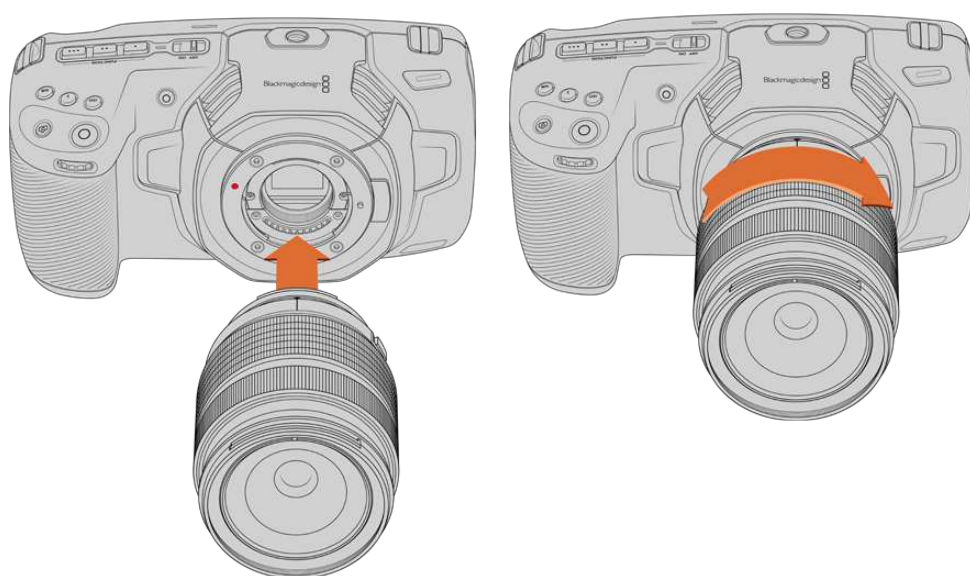
Pour commencer à utiliser votre caméra, il suffit de monter un objectif et de charger votre caméra.

Monter un objectif

La Blackmagic Pocket Cinema Camera 6K fonctionne avec des objectifs EF, tandis que la Blackmagic Pocket Cinema Camera 4K utilise des objectifs Micro 4/3. Ces deux types d'objectifs grand public sont abordables et présentent un large choix de modèles. Monter un objectif sur votre caméra se fait de la même façon pour la Blackmagic Pocket Cinema Camera 6K que pour la Pocket Cinema Camera 4K. Dans les deux cas, la première étape consiste à retirer le cache de protection de la monture. Pour retirer le cache de protection, maintenez le bouton de verrouillage enfoncé et tournez le cache dans le sens inverse des aiguilles d'une montre jusqu'à ce qu'il soit libéré.

Pour monter un objectif EF ou Micro 4/3 :

- 1 Aligned le point situé sur votre objectif avec celui de la monture. De nombreux objectifs possèdent un point bleu, rouge ou blanc ou un autre indicateur.
- 2 Positionnez la monture d'objectif contre la monture de la caméra et tournez l'objectif dans le sens des aiguilles d'une montre jusqu'à ce qu'il s'emboîte correctement.
- 3 Pour retirer l'objectif, maintenez le bouton de verrouillage enfoncé et tournez l'objectif dans le sens inverse des aiguilles d'une montre jusqu'à ce que le point atteigne la position de 10 heures sur un objectif Micro 4/3, ou de midi sur un objectif EF. Retirez délicatement l'objectif de sa monture.



Monter un objectif Micro 4/3 sur la Blackmagic Pocket Cinema Camera 4K

REMARQUE Afin d'éviter d'exposer le filtre en verre situé à l'avant du capteur à la poussière lorsqu'aucun objectif n'est monté, il est vivement conseillé de garder le cache anti-poussière autant que possible.

Allumer la caméra

Une fois l'objectif monté, la caméra doit être alimentée. Pour alimenter la Blackmagic Pocket Cinema Camera, insérez une batterie LP-E6, ou deux batteries NP-F570 dans la Blackmagic Pocket Camera Battery Grip, ou bien branchez l'adaptateur fourni à l'entrée d'alimentation.

Insérer une batterie et alimenter la caméra

La caméra fonctionne avec des batteries amovibles de type LP-E6 standard. Cette batterie est livrée avec la caméra, mais si vous avez besoin de batteries supplémentaires, il est possible de les acheter auprès des revendeurs Blackmagic Design ou dans des magasins photo et vidéo.

- 1 Sous la caméra, appuyez sur le loquet du compartiment à batterie pour l'ouvrir.
- 2 Veillez à ce que les contacts soient face au terminal, puis insérez la batterie LP-E6 jusqu'à ce qu'elle s'emboîte correctement.

CONSEIL Pour éjecter la batterie, poussez le loquet du compartiment vers l'avant de la caméra.

- 3 Refermez le compartiment de la batterie et appuyez légèrement jusqu'à ce qu'il s'emboîte correctement.
- 4 Déplacez l'interrupteur d'alimentation, situé sur le haut de la caméra, sur la position **On**. Pour éteindre la caméra, déplacez l'interrupteur d'alimentation sur **Off**.

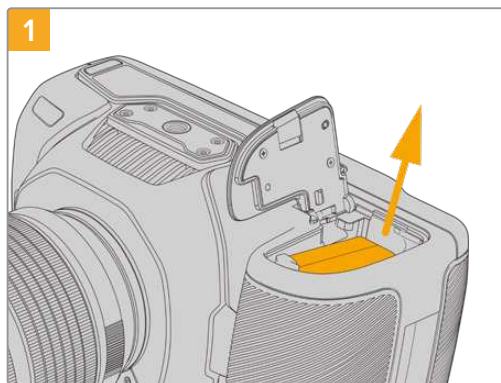
Utiliser la Blackmagic Pocket Camera Battery Grip

Si vous possédez une Blackmagic Pocket Camera Battery Grip, nous vous conseillons de l'installer maintenant. La Blackmagic Pocket Camera Battery Grip est conçue pour s'insérer dans la Pocket Cinema Camera 6K et la Pocket Cinema Camera 4K.

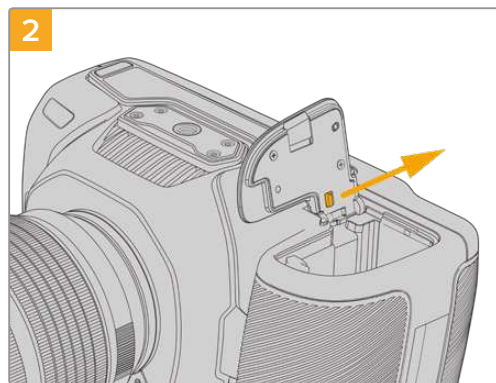
C'est une poignée supplémentaire horizontale capable d'accueillir deux batteries NP-F570 série L, vous permettant de filmer en continu pendant deux heures. L'entrée DC 12V peut recharger les batteries de la poignée ou fournir une alimentation ininterrompue à la caméra lorsque vous changez les batteries. Vous pouvez utiliser un port USB-C pour recharger les batteries de la poignée lorsque la caméra est éteinte.

Pour fixer la Blackmagic Pocket Camera Battery Grip :

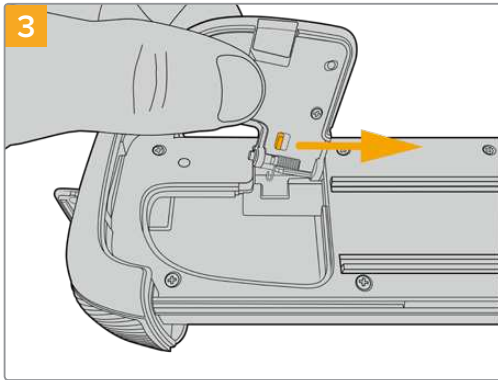
Avant de fixer la Blackmagic Pocket Camera Battery Grip, éteignez votre caméra et débranchez toutes les sources d'alimentation externes.



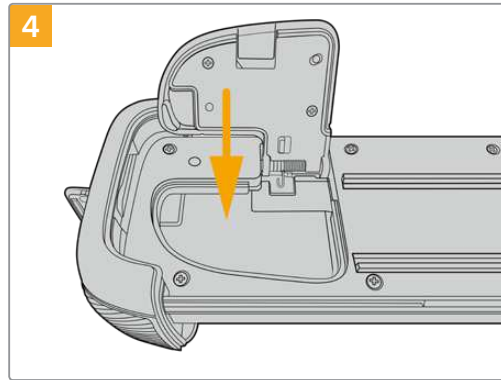
Ouvrez le compartiment à batterie de la caméra et retirez la batterie LP-E6.



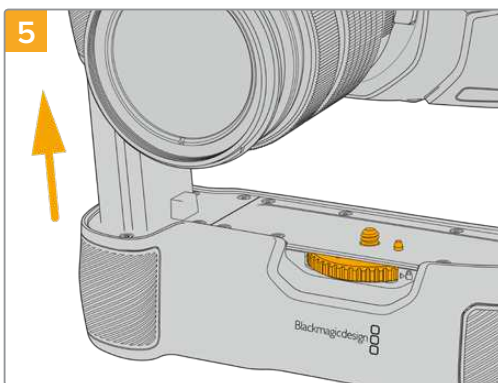
Faites coulisser la languette située près de la charnière du compartiment à batterie, puis retirez le couvercle du compartiment à batterie.



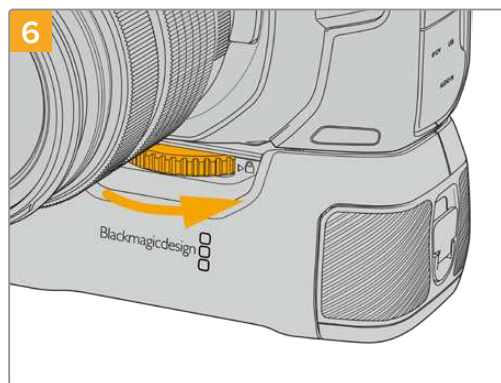
3 Pour ne pas perdre le couvercle, clipsez-le au renforcement situé sur la face inférieure du support pour batterie.



4 Refermez le couvercle du compartiment à batterie pour qu'il soit au même niveau que la face inférieure du support pour batterie.

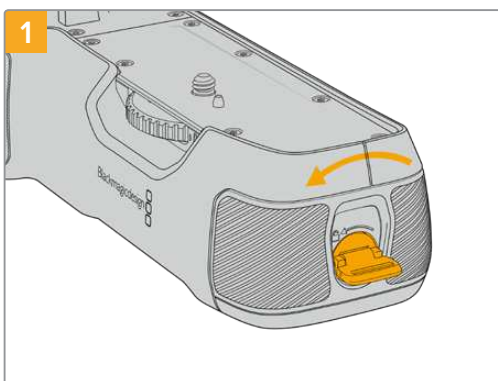


5 Insérez la partie verticale de la poignée dans le compartiment à batterie de la caméra. La vis de 1/4 de pouce sur le haut de la poignée doit s'aligner avec le pas de vis 1/4-20 de la caméra. Une petite broche située à côté de la vis de 1/4 de pouce aide à conserver un bon alignement.

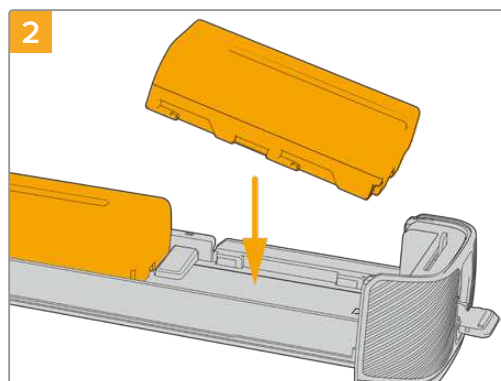


6 Tournez la molette située à l'avant de la poignée vers la droite pour serrer fermement la vis et fixer la poignée à la caméra.

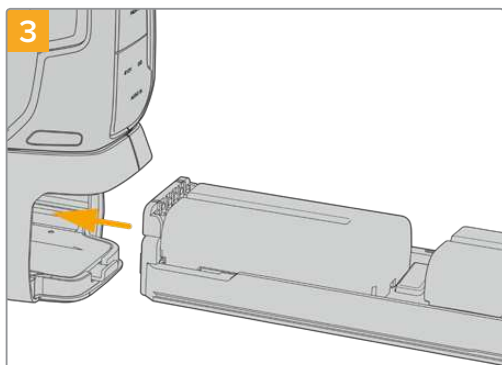
Pour insérer les batteries dans la Blackmagic Pocket Camera Battery Grip :



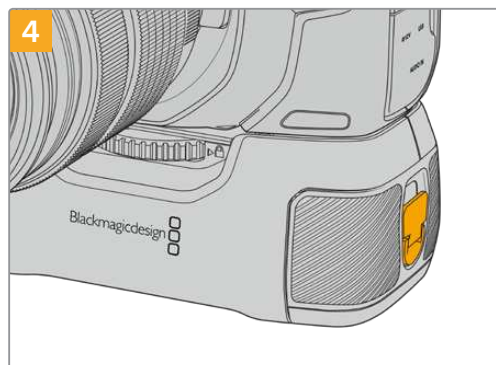
1 Tournez la languette de verrouillage de la poignée dans le sens inverse des aiguilles d'une montre afin de déverrouiller le support pour batterie. Faites glisser le support pour batterie vers l'extérieur. Vous pouvez effectuer cette action avant ou après avoir fixé la Blackmagic Pocket Battery Grip à la caméra.



2 Insérez les deux batteries NP-F570 dans le support pour batterie, en vous assurant qu'elles sont dans le bon sens, puis faites-les glisser dans le support en les éloignant l'une de l'autre. Une languette entre les batteries va remonter afin de verrouiller les batteries dans leur position. Pour retirer les batteries, appuyez sur la languette de verrouillage, puis faites glisser les batteries l'une vers l'autre.



Faites coulisser le support pour batterie dans la poignée, puis tournez la languette de verrouillage dans le sens des aiguilles d'une montre. Notez que vous pouvez continuer à filmer tout en changeant les batteries de la poignée si votre caméra est alimentée par une source externe branchée à l'entrée d'alimentation DC.



Tournez la languette de verrouillage de la poignée dans le sens des aiguilles d'une montre pour déverrouiller le support pour batterie.

CONSEIL Lorsqu'une Blackmagic Pocket Camera Battery Grip est fixée à votre caméra et que deux batteries sont insérées, l'indicateur du niveau de batterie en haut à droite de l'écran LCD affiche une icône pour chaque batterie, que vous pouvez ainsi contrôler indépendamment. Pour plus d'informations, consultez la section « Alimentation ».

Alimenter la caméra avec le câble d'alimentation inclus

L'adaptateur 100-240 volts fourni peut alimenter simultanément la caméra et recharger la batterie LP-E6, ou deux batteries NP-F570 si une Blackmagic Pocket Camera Battery Grip est fixée à la caméra. Le connecteur d'alimentation DC se verrouille à la caméra pour éviter tout risque de déconnexion accidentelle.

Connecter la caméra à une source d'alimentation externe :

- 1 Connectez l'adaptateur AC vers 12V DC à une prise secteur.
- 2 Ouvrez les protections en caoutchouc situées sur la partie gauche de la caméra et tournez le connecteur d'alimentation DC jusqu'à ce que la barrette s'aligne avec l'encoche supérieure de l'entrée DC 12V. Insérez doucement le connecteur dans l'entrée jusqu'à ce qu'il se clipse.
- 3 Pour débrancher le connecteur, tirez la gaine du connecteur et retirez-le de l'entrée.

Si la batterie et la source d'alimentation externe sont branchées, l'alimentation de la caméra s'effectue uniquement par la source externe. Lorsque vous débranchez la source d'alimentation externe alors que la batterie est installée, la caméra passe automatiquement sur la batterie pour un enregistrement en continu.

Vous pouvez recharger la batterie LP-E6 via USB lorsque la caméra est éteinte. C'est pratique car vous pouvez utiliser une batterie externe pour charger votre caméra quand vous ne l'utilisez pas. La Blackmagic Pocket Cinema Camera est compatible avec les chargeurs muraux USB 10W, ainsi que les chargeurs USB PD (USB-Power Delivery). Les chargeurs USB PD sont dotés de connexions USB-C et prennent en charge jusqu'à 20W d'alimentation, pour un chargement plus rapide. Vous pouvez recharger la batterie LP-E6 via l'entrée DC 12V lorsque la caméra est allumée ou éteinte.

CONSEIL Si vous chargez une batterie chaude directement après usage, la vitesse de chargement est réduite jusqu'à ce que la température de la batterie descende à 45 degrés Celsius ou 113 degrés Fahrenheit. Nous vous recommandons de laisser refroidir la batterie pendant 15 minutes avant de la charger.

Vous pouvez à présent insérer le support de stockage et commencer l'enregistrement !

Supports de stockage

La Blackmagic Pocket Cinema Camera enregistre de la vidéo sur des cartes SD standard, des cartes SD UHS-II plus rapides, ou des cartes CFast 2.0.

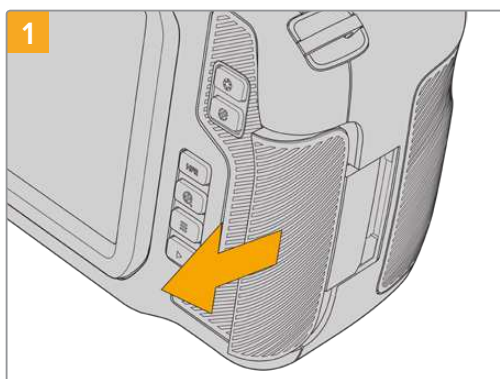
Grâce au port expansion USB-C, vous pouvez également connecter des disques flash USB-C pour de longues séances d'enregistrement.

Cartes CFast

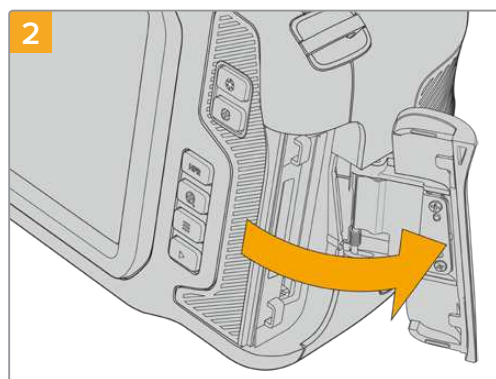
Les cartes CFast 2.0 prennent en charge des débits très élevés, elles sont donc parfaites pour enregistrer en 6K, 4K et HD à des fréquences d'images élevées. Veuillez consulter les tableaux relatifs à la durée d'enregistrement dans la section « Enregistrement » de ce manuel pour connaître les fréquences d'images maximales qui peuvent être enregistrées avec chaque format.

REMARQUE Bien que les cartes CFast 2.0 soient généralement très rapides, leur vitesse d'écriture peut être plus lente que la vitesse de lecture. Le débit maximal varie en fonction des modèles. Pour garantir un enregistrement fiable dans la fréquence d'images de votre choix, utilisez seulement les cartes recommandées par Blackmagic Design.

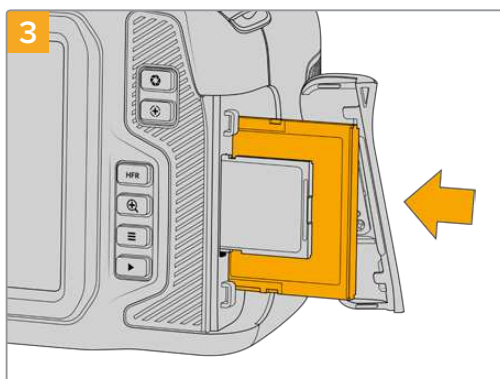
Pour insérer une carte CFast :



Pour accéder aux logements des supports de stockage, faites coulisser la porte située sur le côté arrière de la caméra.



La porte à ressort s'ouvre, vous permettant d'accéder aux logements pour carte CFast et SD.

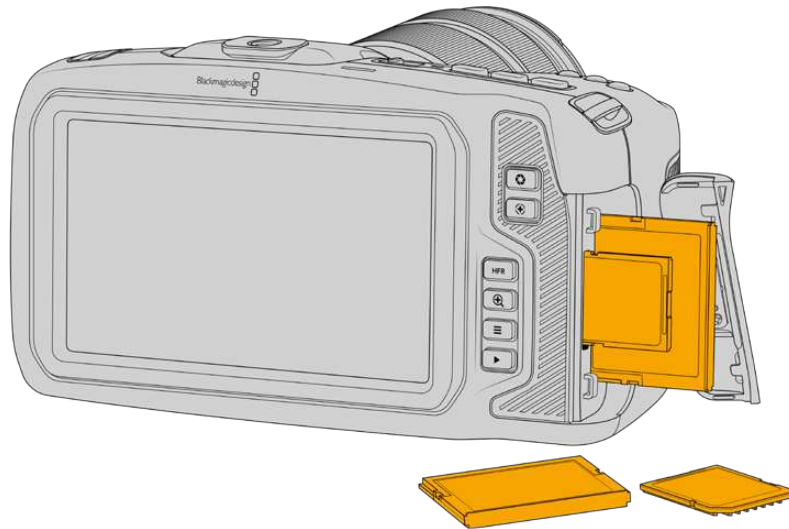


Insérez la carte CFast dans le logement pour carte CFast jusqu'à ce qu'elle s'enclenche. La carte doit pouvoir s'insérer aisément et sans forcer. Pour retirer une carte CFast, appuyez délicatement dessus, puis relâchez pour l'éjecter.



Les informations de stockage situées en bas de l'écran LCD tactile indiquent le nom de la carte et le temps d'enregistrement restant sur cette carte.

Une carte SD s'insère de la même façon qu'une carte CFast. Pour plus d'informations, consultez « Insérer une carte SD ».



Choisir une carte CFast 2.0

Lorsque vous travaillez sur des vidéos dont le débit est élevé, il est primordial de vérifier le type de carte CFast que vous utilisez, car les cartes CFast 2.0 ont différentes vitesses de lecture et d'écriture.

Pour obtenir une liste des cartes CFast 2.0 testées et recommandées par Blackmagic Design pour filmer avec une Pocket Cinema Camera, consultez la section « Supports d'enregistrement recommandés ».

Pour retrouver les informations les plus récentes sur les cartes CFast prises en charge par les Blackmagic Pocket Cinema Camera, consultez la page d'assistance de Blackmagic Design : www.blackmagicdesign.com/fr/support.

Cartes SD

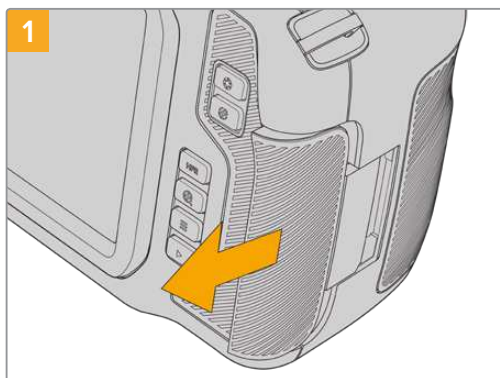
En plus des cartes CFast 2.0, votre caméra enregistre sur des cartes SD UHS-I et UHS-II haut débit. Avec les cartes SD UHS-I, vous pouvez utiliser des supports de stockage abordables lorsque vous filmez avec des formats vidéo compressés en HD. Les cartes UHS-II plus rapides vous permettent d'enregistrer du contenu Blackmagic RAW et Ultra HD en ProRes.

Avec les cartes SD, vous pouvez utiliser des supports de stockage abordables lorsque vous filmez avec des formats vidéo compressés en HD.

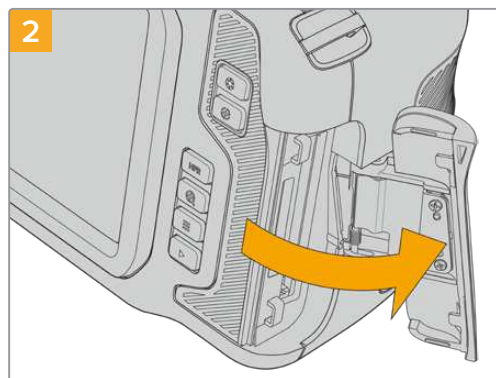
Les supports SDXC et SDHC sont très courants parmi les utilisateurs d'appareils photo et de caméras. Si vous avez déjà tourné à l'aide d'un DSLR ou avec des caméras Blackmagic Micro Cinema Camera, Pocket Cinema Camera ou avec un Blackmagic Video Assist, il est possible que vous possédiez déjà des cartes SD.

Pour les projets qui ne nécessitent pas de travailler avec des fichiers en très haute résolution ou pour les projets relativement longs, les cartes SD sont particulièrement économiques. Les cartes SD dont le stockage et le débit sont moins importants permettent également de sauvegarder et de charger des LUTs et des préréglages.

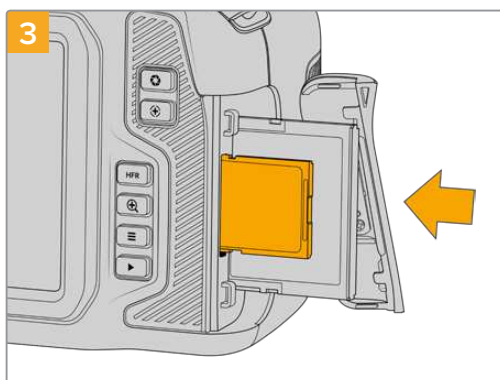
Insérer une carte SD



Pour accéder aux logements des supports de stockage, faites coulisser la porte située sur le côté arrière de la caméra.



La porte à ressort s'ouvre, vous permettant d'accéder aux logements pour supports de stockage.



Orientez le côté de la carte SD doté de l'étiquette vers l'écran tactile et insérez la carte dans le logement pour carte SD jusqu'à ce qu'elle s'enclenche. La carte doit pouvoir s'insérer aisément et sans forcer.

Pour retirer une carte SD, appuyez délicatement dessus, puis relâchez pour l'éjecter.



Les informations de stockage situées en bas de l'écran LCD tactile indiqueront le nom de la carte et le temps d'enregistrement restant sur cette carte.

Choisir une carte SD

Si vous enregistrez en 6K, 4K DCI ou en Ultra HD, nous recommandons d'utiliser les cartes SD UHS-II haut débit les plus performantes. Il est important d'utiliser des cartes UHS-II haut débit pour l'enregistrement en 6K, 4K DCI, Ultra HD et HD, et des cartes UHS-I pour l'enregistrement en HD. Elles sont réputées pour leur débit élevé et leur grande capacité de stockage. Les cartes les plus rapides sont en général plus performantes.

Avant de les utiliser, formatez les cartes SD au format HFS+ ou exFAT. La carte peut facilement être formatée dans les paramètres de stockage de la caméra. Pour plus d'informations, consultez la section « Paramètres » de ce manuel.

Si vous le souhaitez, vous pouvez formater vos cartes sur un ordinateur Mac ou Windows. Si vous utilisez la carte avec un macOS, vous pouvez sélectionner le format de disque pour Mac HFS+, aussi appelé OS X Extended. Si vous utilisez Windows, vous devrez sélectionner le format de disque pour Windows exFAT. Les ordinateurs Mac peuvent également lire le format exFAT.

Pour obtenir une liste des cartes SD testées et recommandées par Blackmagic Design pour filmer avec une Pocket Cinema Camera, consultez la section « Supports d'enregistrement recommandés ».

Pour retrouver les informations les plus récentes sur les cartes SD prises en charge par les Blackmagic Pocket Cinema Camera, consultez la page d'assistance de Blackmagic Design : www.blackmagicdesign.com/fr/support.

REMARQUE Pour un enregistrement haut débit en résolution élevée, nous recommandons d'utiliser des cartes CFast 2.0 ou un disque flash externe USB-C, qui sont généralement plus rapides et qui offrent de plus grandes capacités de stockage.

Verrouiller et déverrouiller des cartes SD

En activant la protection en écriture, les cartes SD peuvent être « verrouillées » afin d'éviter d'effacer des données. Lorsque vous insérez une carte SD, veillez à ce qu'elle ne soit pas protégée en écriture. Pour désactiver la protection en écriture, déplacez le petit poussoir en plastique situé à gauche de la carte. Vous pouvez toujours réactiver le verrouillage après l'enregistrement.



Déplacez le poussoir pour verrouiller et déverrouiller la carte SD

Si vous insérez une carte SD verrouillée, le mot **Bloquée** s'affichera sur l'écran LCD tactile à la place de la durée restante de la carte et un cadenas apparaîtra dans le menu des supports de stockage, à côté du nom de la carte. Si la carte est verrouillée, vous ne pourrez pas enregistrer de vidéo, capturer d'images fixes ou exporter des LUTs et des préréglages.

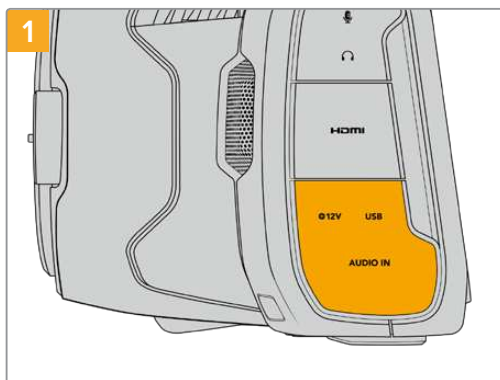


Disques flash USB-C

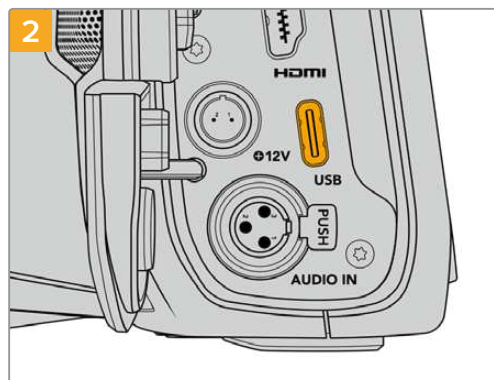
La Blackmagic Pocket Cinema Camera possède un port expansion haute vitesse USB-C, qui vous permet d'enregistrer de la vidéo sur des disques flash USB-C. Grâce à ces disques rapides et à leur capacité de stockage élevée, vous pouvez enregistrer sur de longues périodes.

Une fois l'enregistrement terminé, vous pouvez directement connecter le disque à votre ordinateur pour le montage et la post-production, sans devoir effectuer de copie.

Pour connecter un disque flash USB-C :



Ouvrez la protection en caoutchouc située sur le côté gauche de la caméra et connectez l'autre extrémité du câble au port USB-C.



Connectez une extrémité du câble USB de type C au disque flash USB-C.

REMARQUE Lorsqu'un disque flash USB-C est connecté à votre caméra, il occupe la même place que la carte SD dans le système d'exploitation de la caméra. Ainsi, quand un disque flash USB-C compatible est connecté, le logement pour carte SD n'est pas disponible.

Pour utiliser le logement pour carte SD, déconnectez le disque flash USB-C de votre caméra.

Choisir un disque flash USB-C rapide

Les disques flash USB-C sont conçus pour offrir un stockage rapide et abordable pour de nombreux appareils et ils sont disponibles auprès de nombreux magasins d'électronique. Toutefois, il est important de noter que la réalisation de films ne représente qu'une partie de ce marché. C'est pourquoi vous devez vous assurer que la vitesse du disque flash USB-C est suffisante pour enregistrer de la vidéo en 6K et en 4K.

De nombreux disques flash USB-C sont conçus pour l'informatique domestique et ne sont pas assez rapides pour enregistrer de la vidéo en 6K et en 4K.

Pour obtenir une liste des disques flash USB-C testés et recommandés par Blackmagic Design pour filmer avec une Pocket Cinema Camera, consultez la section « Supports d'enregistrement recommandés ».

Pour consulter la liste la plus récente des disques flash USB-C recommandés, veuillez vous rendre sur www.blackmagicdesign.com/fr/support.

Remarque importante concernant la vitesse des disques flash USB-C

Certains modèles de disques flash USB-C ne sont pas capables d'enregistrer des données vidéo à la vitesse annoncée par le fabricant, car le disque compresse certaines données afin d'atteindre des vitesses d'écriture plus élevées. Cette compression des données permet uniquement de sauvegarder les données à la vitesse annoncée par le fabricant lorsqu'il s'agit de fichiers ou de données simples, comme des données vides. Toutefois, comme les données vidéo comprennent du bruit vidéo et des pixels aléatoires, la compression n'offre aucun avantage et la véritable vitesse du support est révélée.

Certains disques flash USB-C peuvent avoir une vitesse d'écriture jusqu'à 50 % moins élevée que celle indiquée par le fabricant, par conséquent, bien que les spécifications du disque certifient qu'il est suffisamment rapide pour prendre en charge de la vidéo, il se peut qu'il ne soit pas assez rapide pour enregistrer de la vidéo en temps réel.

Utilisez le Blackmagic Disk Speed Test pour mesurer si votre disque flash USB-C est capable de prendre en charge la capture et la lecture de vidéo à des vitesses élevées. Le Blackmagic Disk Speed Test utilise des données pour simuler le stockage de vidéo, les résultats sont donc similaires à ceux que vous obtenez en capturant de la vidéo sur un disque. Lors de nos tests, nous avons remarqué que les modèles les plus récents de disques flash USB-C, dont la capacité est plus importante, sont en général plus rapides.

L'application Blackmagic Disk Speed Test est disponible sur le Mac App Store. Les versions pour Windows et macOS sont incluses dans le Blackmagic Desktop Video, que vous pouvez télécharger à partir de la catégorie « Capture et Lecture » sur la page d'assistance technique de Blackmagic Design : www.blackmagicdesign.com/fr/support.

Préparer les supports pour l'enregistrement

Vous pouvez formater les cartes CFast, les cartes SD ou les disques flash USB-C depuis l'écran de stockage et de formatage de votre caméra ou via un ordinateur Mac ou Windows. Nous vous recommandons de formater les supports à l'aide de la caméra pour un résultat optimal.

Nous conseillons le format HFS+, également connu sous le nom de OS X Extended, car il prend en charge la journalisation. Les données situées sur un support journalisé sont plus faciles à récupérer au cas où votre support de stockage serait corrompu. Le format HFS+ est pris en charge nativement par macOS. Le format exFAT est pris en charge nativement par macOS et Windows sans logiciel supplémentaire, mais il ne prend pas en charge la journalisation.

Préparer un support sur la Blackmagic Pocket Cinema Camera

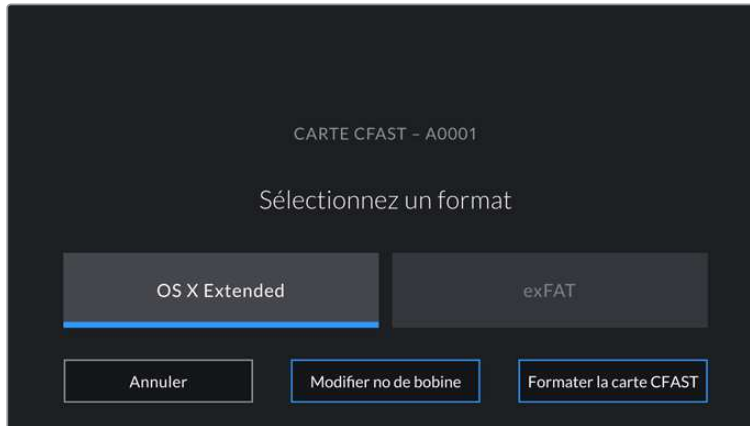
- 1 Appuyez sur un des indicateurs de stockage en bas de l'écran LCD tactile pour ouvrir le gestionnaire de stockage.
- 2 Sélectionnez **Formater la carte CFast** ou **Formater la carte SD**. Lorsqu'un disque flash USB-C est connecté à votre caméra, l'écran affichera **Formater le disque** au lieu de Formater la carte SD.



Lorsqu'un disque flash USB-C est connecté à votre caméra, l'écran de stockage et de formatage affiche **Formater le disque externe** au lieu de **Formater la carte SD**.

- 3 Sélectionnez le bouton **Modifier no de bobine** si vous souhaitez changer manuellement le numéro de bobine. Saisissez un nouveau numéro de bobine à l'aide du clavier numérique, puis appuyez sur **Mettre à jour** pour confirmer votre choix.

- 4 Choisissez OS X Extended ou ExFat et appuyez sur le bouton de formatage.



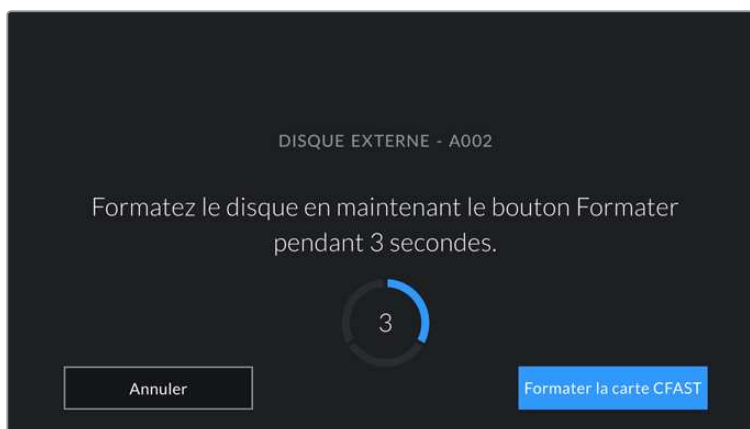
Sélectionnez **Modifier no de bobine** pour modifier manuellement le numéro de bobine.

- 5 Un message apparaîtra pour vous demander de confirmer la carte à formater, le format sélectionné et le numéro de bobine. Confirmez votre sélection en appuyant sur le bouton de formatage. Appuyez sur **Annuler** pour annuler le formatage.



Vérifiez que vous avez sélectionné la carte appropriée avant de la formater.

- 6 Restez appuyé sur le bouton de formatage pendant trois secondes pour procéder au formatage de votre support.



- 7 La caméra vous informe lorsque le formatage est effectué et que votre disque est prêt, ou si le formatage a échoué.

- 8 Appuyez sur **OK** pour retourner au gestionnaire de stockage.
- 9 Appuyez sur **Quitter** pour fermer le gestionnaire de stockage.

Lorsque vous formatez des cartes CFast, des cartes SD ou des disques flash USB-C depuis votre caméra, le nom de la caméra généré par le clap et le numéro de la bobine seront utilisés pour nommer le support. Le numéro de la bobine s'incrémente automatiquement à chaque fois que vous formatez une carte. Pour saisir manuellement le numéro de bobine, il suffit de sélectionner **Modifier no de bobine** afin de saisir le numéro avec lequel vous souhaitez formater la carte.

Quand vous commencez un nouveau projet et que vous souhaitez que le numéro de bobine se réinitialise sur 1, sélectionnez **Réinitialiser** dans l'onglet **Projet** du clap.



Le gestionnaire de stockage sur la caméra indique si vous avez sélectionné la carte CFast, la carte SD ou le disque flash USB-C.

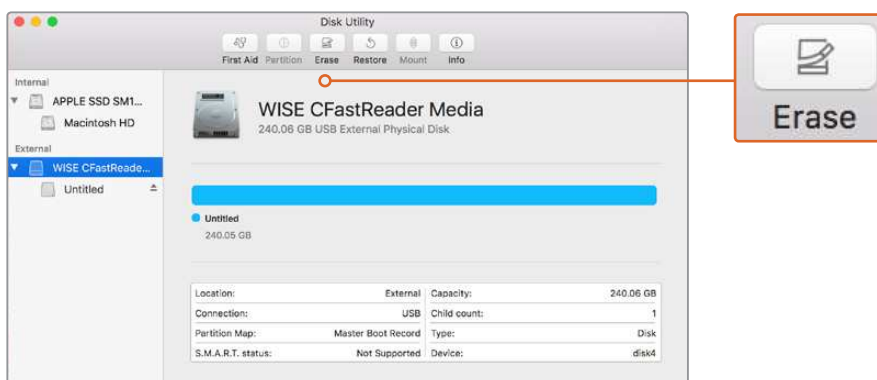
CONSEIL Si la carte SD est verrouillée, le mot **Bloquée** s'affichera sur l'écran LCD tactile à la place de la durée restante de la carte et un cadenas apparaîtra dans le menu Stockage, à côté du nom de la carte. Déverrouillez la carte pour la formater ou pour enregistrer du contenu. Pour plus d'informations, consultez la section « Cartes SD » de ce manuel.

REMARQUE Lorsqu'un disque flash USB-C est connecté, la mention **Disque externe** s'affichera sur le logement de stockage 2.

Préparer le support sur Mac

Utilisez l'utilitaire de disque fourni avec macOS pour formater votre carte CFast, SD ou votre disque flash USB-C au format HFS+ ou exFAT. N'oubliez pas de sauvegarder toutes les informations importantes contenues dans votre support de stockage car toutes les données seront perdues lors du formatage.

- 1 Connectez le support de stockage à votre ordinateur à l'aide d'un lecteur de carte et ignorez les messages proposant d'utiliser le support en tant qu'outil de sauvegarde Time Machine.
- 2 Allez dans le menu Applications/Utilitaires et lancez l'utilitaire de disque.
- 3 Cliquez sur l'icône représentant le support de stockage de la caméra, puis cliquez sur l'onglet **Effacer**.
- 4 Choisissez le format Mac OS étendu (journalisé) ou exFAT.
- 5 Saisissez un nom pour le nouveau volume, puis cliquez sur **Effacer**. Le support de stockage de votre caméra sera rapidement formaté et prêt à être utilisé.

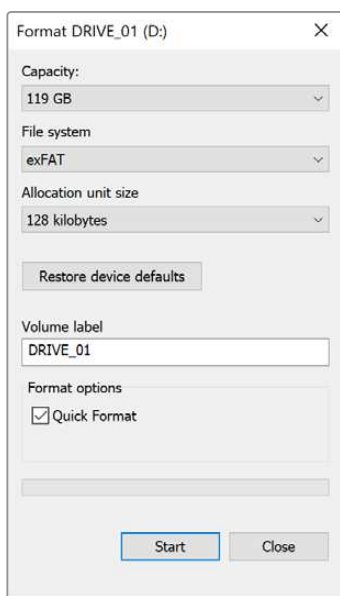


Utilisez l'utilitaire de disque sur macOS pour formater votre support de stockage en Mac OS étendu (journalisé) ou exFAT.

Préparer le support sur Windows

La boîte de dialogue **Formater** permet de formater un support en exFAT sur un ordinateur Windows. N'oubliez pas de sauvegarder toutes les informations importantes contenues dans votre support de stockage car toutes les données seront perdues lors du formatage.

- 1 Connectez le support de stockage de votre caméra à votre ordinateur à l'aide d'un lecteur/graveur externe, d'un disque flash USB-C ou d'un adaptateur.
- 2 Ouvrez le menu **Démarrer** ou l'écran d'accueil et choisissez l'option **Ordinateur**. Faites un clic droit sur le support de stockage de votre caméra.
- 3 Cliquez sur **Formater** à partir du menu contextuel.
- 4 Configurez le système de fichiers sur exFAT et la taille d'unité d'allocation sur 128 Kb.
- 5 Saisissez un nom de volume, sélectionnez l'option **Formatage rapide** puis cliquez sur **Démarrez**.
- 6 Votre support de stockage sera rapidement formaté et prêt à être utilisé.



Utilisez la boîte de dialogue **Formater** sous Windows pour formater le support de stockage de votre caméra en exFAT.

REMARQUE En cas de perte d'images pendant l'enregistrement, vérifiez que la carte ou le disque que vous utilisez figure dans la liste des supports recommandés, en fonction du codec et du format d'image sélectionnés. Pour les faibles débits, réduisez la fréquence d'images et la résolution, ou utilisez un codec compressé, par exemple le codec ProRes. Veuillez consulter le site Internet de Blackmagic Design sur www.blackmagicdesign.com/fr pour être informés des dernières nouveautés.

REMARQUE Il est possible d'utiliser des supports de stockage partitionnés avec la Blackmagic Pocket Cinema, toutefois la caméra ne reconnaîtra que la première partition pour l'enregistrement et la lecture.

Veuillez noter que si vous formatez le support depuis le menu de stockage et de formatage, la totalité du support et toutes les partitions seront effacées, mêmes celles que vous n'avez pas utilisées pour l'enregistrement et la lecture. Nous vous recommandons donc vivement d'utiliser des supports de stockage avec une seule partition.

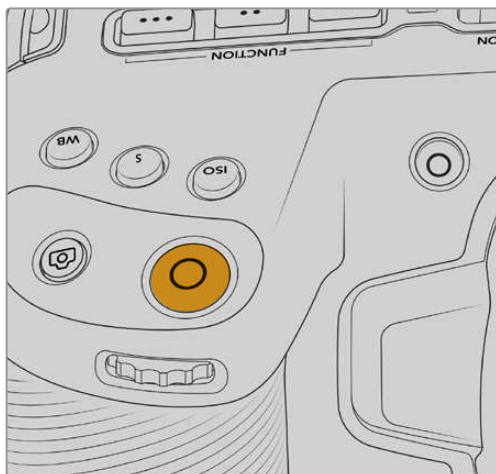
Enregistrement

Enregistrer des clips

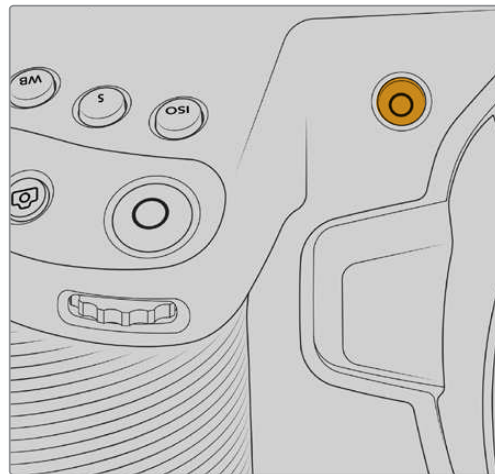
La Blackmagic Pocket Cinema Camera possède deux boutons d'enregistrement. Le premier bouton, situé sur le haut de la poignée de la caméra, vous permet de déclencher l'enregistrement avec votre index lorsque vous tenez la poignée de la caméra avec votre main droite.

Le second bouton est situé à l'avant de la caméra de manière à pouvoir vous auto-enregistrer avec une seule main. C'est idéal si vous souhaitez vous filmer pour un blog vidéo par exemple.

Appuyez sur un des boutons d'enregistrement de votre caméra pour démarrer l'enregistrement immédiatement. Appuyez de nouveau sur un des boutons pour arrêter l'enregistrement.



Bouton d'enregistrement supérieur



Bouton d'enregistrement avant

Avant d'enregistrer, appuyez sur le nom du support de stockage en bas de l'écran pour sélectionner la carte mémoire ou le disque flash USB-C de votre choix. La barre du support sélectionné devient bleue pour vous informer que la caméra enregistrera sur ce support. Pour enregistrer sur une autre carte ou disque, restez appuyé sur le nom du support. La barre devient rouge lorsque la caméra enregistre.

Choisir le format d'enregistrement

La Blackmagic Pocket Cinema Camera enregistre en Apple ProRes 422 HQ, ProRes 422, ProRes 422 LT et ProRes 422 Proxy. Les codecs ProRes vous permettent d'enregistrer davantage de vidéos sur une carte SD, CFast, ou un disque flash USB-C. Le format ProRes 422 HQ fournit une vidéo de très haute qualité légèrement compressée. Le format ProRes 422 Proxy offre quant à lui un temps d'enregistrement plus long avec une compression plus importante. Votre caméra prend également en charge l'enregistrement en Blackmagic RAW. N'hésitez pas à essayer différents formats pour voir celui qui répond le mieux à vos besoins.

Veuillez noter que la Blackmagic Pocket Cinema Camera peut utiliser le Blackmagic RAW pour les formats de capteur en mode Full et Window, et qu'elle doit utiliser le ProRes pour les formats redimensionnés.

Pour plus d'informations sur les formats Window et redimensionnés, veuillez consulter la section « Fréquences d'images maximales du capteur ».

Blackmagic RAW

La Blackmagic Pocket Cinema Camera prend en charge le format Blackmagic RAW. Ce format offre une qualité d'image supérieure, une plage dynamique étendue et une large sélection de ratios de compression. Grâce au Blackmagic RAW, vous bénéficiez de tous les avantages de l'enregistrement en RAW. Toutefois, les fichiers sont très rapides, car la plupart du traitement est effectué dans la caméra, où il subit une accélération matérielle. Cela signifie que le Blackmagic RAW lit le fichier à une vitesse normale sur la plupart des ordinateurs, sans avoir à le mettre en cache ou à baisser la résolution.

Le Blackmagic RAW comprend également une prise en charge des métadonnées performante, qui permet de transmettre les paramètres de la caméra au logiciel de lecture des fichiers. Si vous n'avez que très peu de temps pour le montage et l'étalonnage, vous pouvez tourner en mode vidéo et les images seront affichées dans ce mode lorsque vous ouvrez le fichier dans le logiciel. Toutefois, en réalité, le fichier est en mode film. Ce sont les métadonnées du fichier qui communiquent au logiciel d'appliquer le mode vidéo.

Ainsi, si vous souhaitez étalonner les images ultérieurement, la plage dynamique est conservée dans le fichier. Les images ne seront pas écrêtées dans les hautes et les basses lumières, les détails seront donc préservés et vous pourrez procéder à l'étalonnage pour leur donner un rendu cinématographique. Toutefois, si vous n'avez pas suffisamment de temps pour l'étalonnage, ce n'est pas grave, car le mode vidéo sera appliqué aux images et elles auront ainsi le même rendu que celles des caméras vidéo standard. C'est donc une solution très polyvalente qui vous permet de changer d'avis durant la post-production.

Les fichiers Blackmagic RAW sont très rapides et ce codec est optimisé pour le CPU et le GPU de votre ordinateur. Ainsi, la lecture est fluide et les décodeurs matériels ne sont pas nécessaires, ce qui est important lorsque vous utilisez un ordinateur portable. Le logiciel qui lit le Blackmagic RAW bénéficie également du traitement via Apple Metal, Nvidia CUDA et OpenCL.

Cela signifie que le Blackmagic RAW lit le fichier à une vitesse normale, comme un fichier vidéo sur la plupart des ordinateurs, sans avoir à le mettre en cache ou à baisser la résolution.

De plus, les informations de l'objectif de chaque image sont enregistrées dans les métadonnées. Par exemple, lorsque vous utilisez des objectifs compatibles, toutes les modifications de zoom et de mise au point effectuées durant le clip seront sauvegardées, image par image, dans les données du fichier Blackmagic RAW.

Enregistrer en Blackmagic RAW

Le Blackmagic RAW fonctionne de deux façons différentes. Vous pouvez choisir un codec à débit constant, ou un codec à qualité constante.

Le codec à débit constant fonctionne à peu près de la même façon que la plupart des codecs. Son rôle est de maintenir le débit de données à un taux constant sans le laisser trop augmenter. Ainsi, lorsque vous tournez une image complexe qui utilise plus de données pour le stockage, le codec à débit constant compresse davantage l'image pour qu'elle corresponde à l'espace qui lui est attribué.

Cela ne pose en général pas de problème avec les codecs vidéo. Toutefois, lorsque vous tournez en Blackmagic RAW, il faut pouvoir garantir une certaine qualité. Que se passerait-il si les images filmées avaient besoin de plus de données, mais que le codec les compressait davantage pour atteindre un débit spécifique ? Vous perdriez sûrement en qualité et vous ne le remarqueriez peut-être qu'après le tournage.

Pour résoudre ce problème, le Blackmagic RAW propose également un codec appelé qualité constante. Techniquement, ce codec est un codec à débit variable, car il permet à la taille du fichier d'augmenter lorsque les images ont besoin de plus de données. Il n'y a pas de limite supérieure à la taille de fichier lorsque vous devez encoder une image en conservant sa qualité.

Ainsi, quand le Blackmagic RAW est réglé sur le paramètre de qualité constante, la taille de fichier peut augmenter autant qu'il le faut pour encoder les images. Les fichiers sont donc plus ou moins volumineux selon les images tournées .

Les noms des paramètres du Blackmagic RAW ont été choisis d'après des repères techniques. Par exemple, lorsque que le codec à débit constant est sélectionné, vous aurez accès aux paramètres de qualité 3:1, 5:1, 8:1 et 12:1. Ce sont les rapports entre la taille de fichier du format RAW non compressé et celle du format Blackmagic RAW. La compression 3:1 est de meilleure qualité car le fichier est plus volumineux, tandis que 12:1 est de moins bonne qualité car le fichier est plus petit. Toutefois, de nombreux utilisateurs du Blackmagic RAW n'ont vu aucun problème de qualité avec le format 12:1. Le plus judicieux est d'essayer plusieurs paramètres pour voir celui qui vous convient le mieux.

Les paramètres de qualité constante du Blackmagic RAW sont Q0 et Q5. Ce sont les paramètres de compression appliqués au codec. Ce réglage est différent car le codec traite le débit constant et la qualité constante de façon différente. En ce qui concerne la qualité constante, la taille de fichier peut varier selon les prises.

Paramètres du débit constant

Ces paramètres sont 3:1, 5:1, 8:1 et 12:1. Ils représentent le ratio de compression. Par exemple, la compression 12:1 produit une taille de fichier environ 12 fois plus petite que le format RAW non compressé.

Paramètres de qualité constante

Q0 et Q5 font référence aux différents taux de quantification. Q5 a un taux de quantification plus élevé, mais offre un meilleur débit de données. Comme nous l'avons mentionné auparavant, le paramètre de qualité constante peut créer des fichiers plus au moins grands selon les prises. Il est donc possible que la taille d'une prise soit plus grande que l'espace disponible sur votre support, ce qui peut provoquer une perte d'images. L'avantage est que vous pouvez instantanément le voir sur le tournage et donc décider du paramètre le plus approprié.

Blackmagic RAW Player

Le lecteur Blackmagic RAW, fourni avec le programme d'installation du logiciel de la caméra, est une application qui permet de revoir les clips. Il suffit de double-cliquer sur un fichier Blackmagic RAW pour l'ouvrir. Vous pouvez ensuite le lire et le faire défiler en pleine résolution et profondeur de bits.

Lors du décodage des images, l'accélération CPU de la bibliothèque du SDK prend en charge la plupart des architectures, ainsi que l'accélération GPU via Apple Metal, Nvidia CUDA et OpenCL. Elle fonctionne également avec le Blackmagic eGPU, si vous souhaitez une solution encore plus performante. Le lecteur Blackmagic RAW est disponible pour Mac, Windows et Linux.

Fichiers sidecar

Les fichiers sidecar du Blackmagic RAW priment sur les métadonnées intégrées au fichier sans toutefois les écraser. Ces métadonnées comprennent les paramètres Blackmagic RAW ainsi que des informations sur l'iris, la mise au point, la distance focale, la balance des blancs, la teinte, l'espace colorimétrique, le nom du projet, le numéro de la prise et autres. Les métadonnées sont encodées image par image sur toute la durée du clip, ce qui est important pour les données de l'objectif, si celui-ci a été ajusté durant la prise. Vous pouvez ajouter ou modifier les métadonnées des fichiers sidecar avec DaVinci Resolve ou avec un éditeur de texte, car il s'agit d'un format lisible par l'homme.

Les fichiers sidecar peuvent être utilisés pour ajouter automatiquement de nouveaux paramètres Blackmagic RAW à la lecture. Pour ce faire, il suffit de déplacer le fichier sidecar dans le dossier du fichier Blackmagic RAW correspondant. Si vous retirez le fichier sidecar du dossier et que vous ouvrez à nouveau le fichier Blackmagic RAW, les paramètres modifiés ne seront pas appliqués et vous verrez le fichier tel qu'il a été initialement filmé. Tout logiciel qui utilise le SDK Blackmagic RAW peut accéder à ces paramètres. Les changements apportés seront sauvegardés dans le fichier sidecar et pourront être lus par le Blackmagic RAW Player ou par tout autre logiciel capable de lire les fichiers Blackmagic RAW.

Lorsque vous tournez en mode vidéo, le fichier reste en mode film, et les métadonnées ordonnent au traitement Blackmagic RAW d'afficher les images en mode vidéo. Le mode vidéo est parfait lorsque vous ne voulez pas étalonner les images et que vous devez livrer rapidement le contenu. Toutefois, si vous souhaitez augmenter les basses lumières ou réduire les hautes lumières de l'image, tous les détails sont conservés. La vidéo ne sera jamais écrêtée et les détails seront préservés si vous souhaitez y accéder ultérieurement.

Blackmagic RAW dans DaVinci Resolve

Les paramètres de tous les fichiers Blackmagic RAW peuvent être ajustés, puis sauvegardés en tant que nouveau fichier sidecar à partir de l'onglet **Caméra RAW** de DaVinci Resolve afin de créer des effets créatifs ou d'optimiser la visualisation. Vous pouvez ainsi copier vos médias pour un autre utilisateur DaVinci Resolve afin qu'il ait automatiquement accès aux paramètres gamma modifiés lors de l'importation. En plus des autres métadonnées contenues dans les fichiers de la caméra, DaVinci Resolve peut lire la plage dynamique sélectionnée, afin que les clips soient automatiquement affichés en mode Film, Extended Video ou Video dans DaVinci Resolve.

Vous pouvez ensuite personnaliser ces paramètres en ajustant la saturation, le contraste et les moyennes lumières, ainsi que le roll-off des hautes et des basses lumières. Les ajustements peuvent ensuite être sauvegardés en tant que fichier sidecar. Les changements peuvent donc être visualisés par tous les utilisateurs qui travaillent sur ces fichiers en post. Vous pouvez à tout moment revenir aux métadonnées originales de la caméra.

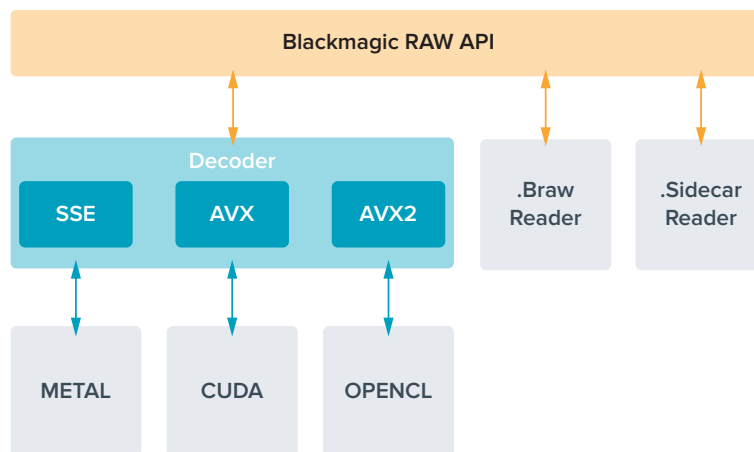
Il est également possible d'exporter une seule image Blackmagic RAW à partir de l'onglet **Caméra RAW** de DaVinci Resolve, qui contient toutes les informations concernant les ajustements, les métadonnées, la pleine résolution et les couleurs. Il est donc facile de partager les références d'une image ou d'un fichier avec d'autres utilisateurs.

Pour plus d'informations sur la façon d'utiliser le Blackmagic RAW dans DaVinci Resolve, consultez le chapitre « Utiliser DaVinci Resolve » de ce manuel.

Kit de développement logiciel Blackmagic RAW

Le kit de développement logiciel Blackmagic RAW est une API développée par Blackmagic Design. Vous pouvez utiliser le SDK Blackmagic RAW afin d'écrire vos propres applications pour le format Blackmagic RAW. La bibliothèque du SDK offre aux développeurs une prise en charge de la lecture, de la modification et de l'enregistrement des fichiers Blackmagic RAW. Comme le SDK Blackmagic RAW intègre la colorimétrie de 4e génération, vous pouvez obtenir des images cinématographiques naturelles avec toutes les applications qui la supportent. Le SDK Blackmagic RAW est compatible avec Mac, Windows et Linux. Il est disponible gratuitement sur la page Développeurs du site web de Blackmagic : www.blackmagicdesign.com/fr/developper

Le schéma suivant illustre les composants de l'API Blackmagic RAW :



Fréquences d'images maximales du capteur

Fréquences d'images maximales du capteur de la Blackmagic Pocket Cinema Camera 6K

	Résolution	Codec	Mode du capteur	Fréquence d'images max.
6K	6144 x 3456	Blackmagic RAW	Full	50
6K 2.4:1	6144 x 2560	Blackmagic RAW	Window	60
5.7K 17:9	5744 x 3024	Blackmagic RAW	Window	60
4K DCI	4096 x 2160	ProRes 422 HQ	Redimensionné depuis 5.7K	60
	4096 x 2160	ProRes 422	Redimensionné depuis 5.7K	60
	4096 x 2160	ProRes 422 LT	Redimensionné depuis 5.7K	60
	4096 x 2160	ProRes 422 Proxy	Redimensionné depuis 5.7K	60
Ultra HD	3840 x 2160	ProRes 422 HQ	Redimensionné depuis Full	50
	3840 x 2160	ProRes 422	Redimensionné depuis Full	50
	3840 x 2160	ProRes 422 LT	Redimensionné depuis Full	50
	3840 x 2160	ProRes 422 Proxy	Redimensionné depuis Full	50
	3840 x 2160	ProRes 422 HQ	Redimensionné depuis 5.7K	60
	3840 x 2160	ProRes 422	Redimensionné depuis 5.7K	60
	3840 x 2160	ProRes 422 LT	Redimensionné depuis 5.7K	60
	3840 x 2160	ProRes 422 Proxy	Redimensionné depuis 5.7K	60
3.7K anamorphique	3728 x 3104	Blackmagic RAW	Window	60
2.8K 17:9	2868 x 1512	Blackmagic RAW	Window	120

	Résolution	Codec	Mode du capteur	Fréquence d'images max.
HD	1920 x 1080	ProRes 422 HQ	Redimensionné depuis Full	50
	1920 x 1080	ProRes 422	Redimensionné depuis Full	50
	1920 x 1080	ProRes 422 LT	Redimensionné depuis Full	50
	1920 x 1080	ProRes 422 Proxy	Redimensionné depuis Full	50
	1920 x 1080	ProRes 422 HQ	Redimensionné depuis 5.7K	60
	1920 x 1080	ProRes 422	Redimensionné depuis 5.7K	60
	1920 x 1080	ProRes 422 LT	Redimensionné depuis 5.7K	60
	1920 x 1080	ProRes 422 Proxy	Redimensionné depuis 5.7K	60
	1920 x 1080	ProRes 422 HQ	Redimensionné depuis 2.7K	120
	1920 x 1080	ProRes 422	Redimensionné depuis 2.7K	120
	1920 x 1080	ProRes 422 LT	Redimensionné depuis 2.7K	120
	1920 x 1080	ProRes 422 Proxy	Redimensionné depuis 2.7K	120

Fréquences d'images maximales du capteur de la Blackmagic Pocket Cinema Camera 4K

	Résolution	Codec	Mode du capteur	Fréquence d'images max.
4K DCI	4096 x 2160	Blackmagic RAW	Full	60
	4096 x 2160	ProRes 422 HQ	Full	60
	4096 x 2160	ProRes 422	Full	60
	4096 x 2160	ProRes 422 LT	Full	60
	4096 x 2160	ProRes 422 Proxy	Full	60
4K 2.4:1	4096 x 1712	Blackmagic RAW	Window	75
Ultra HD	3840 x 2160	Blackmagic RAW	Window	60
	3840 x 2160	ProRes 422 HQ	Window	60
	3840 x 2160	ProRes 422	Window	60
	3840 x 2160	ProRes 422 LT	Window	60
	3840 x 2160	ProRes 422 Proxy	Window	60
2.8K anamorphique	2880 x 2160	Blackmagic RAW	Window	80
2.6K 16:9	2688 x 1512	Blackmagic RAW	Window	120
HD	1920 x 1080	ProRes 422 HQ	Redimensionné depuis Full	60
	1920 x 1080	ProRes 422	Redimensionné depuis Full	60
	1920 x 1080	ProRes 422 LT	Redimensionné depuis Full	60
	1920 x 1080	ProRes 422 Proxy	Redimensionné depuis Full	60
	1920 x 1080	ProRes 422 HQ	Redimensionné depuis 2.6K	120
	1920 x 1080	ProRes 422	Redimensionné depuis 2.6K	120
	1920 x 1080	ProRes 422 LT	Redimensionné depuis 2.6K	120
	1920 x 1080	ProRes 422 Proxy	Redimensionné depuis 2.6K	120
	1920 x 1080	Blackmagic RAW	Window	120
	1920 x 1080	ProRes 422 HQ	Window	120
	1920 x 1080	ProRes 422	Window	120
	1920 x 1080	ProRes 422 LT	Window	120
	1920 x 1080	ProRes 422 Proxy	Window	120

REMARQUE La zone de capteur du format 2.6K 16:9 est optimisée avec les objectifs Super 16mm et les fréquences d'images élevées.

Durée d'enregistrement

Les tableaux ci-dessous indiquent les durées approximatives d'enregistrement en minute et seconde en fonction du format, de la fréquence d'images et de la taille du support de stockage. Veuillez noter que les résolutions et codecs disponibles diffèrent entre la Pocket Cinema Camera 6K et la Pocket Cinema Camera 4K.

La durée maximale d'enregistrement d'un support dépend de la capacité de stockage de la carte CFast, de la carte SD ou du disque flash USB-C, mais également du format et de la fréquence d'images sélectionnés. Par exemple, le débit d'un format Apple ProRes 422 HQ à 3840 x 2160 est approximativement de 880 Mbps. Pour un enregistrement à 24 images par seconde, il est possible d'enregistrer une vidéo de 47 minutes sur une carte CFast 2.0 d'une taille de 256GB. Avec le même nombre d'images par seconde, il est possible d'enregistrer une vidéo de 23 minutes sur une carte CFast de 128GB (environ la moitié de la durée d'enregistrement qu'offre une carte de 256GB).

Il est important de noter que les durées des supports de stockage peuvent varier légèrement en fonction des marques. Les durées varient également en fonction du formatage du support (exFat ou Mac OS X Extended).

Les scènes ne comportant pas trop de détails nécessitent moins de données que les scènes complexes. Les valeurs indiquées dans ces tableaux supposent que vous filmez des scènes complexes. Le temps d'enregistrement pourra donc être plus ou moins long en fonction de la complexité des scènes.

6K					
Carte CFast	Fréquence d'images	Blackmagic RAW 3:1	Blackmagic RAW 5:1	Blackmagic RAW 8:1	Blackmagic RAW 12:1
256GB		Durée	Durée	Durée	Durée
	23.98	17 min	28 min	45 min	67 min
	24	17 min	28 min	45 min	67 min
	25	16 min	27 min	43 min	64 min
	30	13 min	22 min	36 min	54 min
	50	8 min	13 min	21 min	32 min

6K 2.4:1					
Carte CFast	Fréquence d'images	Blackmagic RAW 3:1	Blackmagic RAW 5:1	Blackmagic RAW 8:1	Blackmagic RAW 12:1
256GB		Durée	Durée	Durée	Durée
	23.98	23 min	38 min	60 min	91 min
	24	22 min	38 min	60 min	91 min
	25	21 min	36 min	58 min	87 min
	30	18 min	30 min	48 min	72 min
	50	11 min	18 min	29 min	43 min
	60	9 min	15 min	24 min	36 min

5.7K 17:9					
Carte CFast	Fréquence d'images	Blackmagic RAW 3:1	Blackmagic RAW 5:1	Blackmagic RAW 8:1	Blackmagic RAW 12:1
256GB		Durée	Durée	Durée	Durée
	23.98	20 min	34 min	55 min	82 min
	24	20 min	34 min	55 min	82 min
	25	19 min	33 min	52 min	79 min
	30	16 min	27 min	44 min	66 min
	50	10 min	16 min	26 min	39 min
	60	8 min	13 min	22 min	33 min

4K DCI									
Carte CFast	Fréquence d'images	Blackmagic RAW 3:1	Blackmagic RAW 5:1	Blackmagic RAW 8:1	Blackmagic RAW 12:1	ProRes 422 HQ	ProRes 422	ProRes 422 LT	ProRes 422 Proxy
256GB		Durée	Durée	Durée	Durée	Durée	Durée	Durée	Durée
	23.98	39 min	65 min	104 min	155 min	44 min	66 min	95 min	216 min
	24	39 min	65 min	103 min	155 min	44 min	66 min	95 min	216 min
	25	37 min	62 min	99 min	149 min	42 min	64 min	91 min	207 min
	30	31 min	52 min	83 min	124 min	35 min	53 min	76 min	173 min
	50	18 min	31 min	49 min	74 min	21 min	32 min	45 min	104 min
	60	15 min	26 min	41 min	62 min	17 min	26 min	38 min	87 min

4K 2.4:1					
Carte CFast	Fréquence d'images	Blackmagic RAW 3:1	Blackmagic RAW 5:1	Blackmagic RAW 8:1	Blackmagic RAW 12:1
256GB		Durée	Durée	Durée	Durée
	23.98	50 min	84 min	134 min	201 min
	24	50 min	84 min	134 min	201 min
	25	48 min	81 min	129 min	193 min
	30	40 min	67 min	108 min	161 min
	50	24 min	40 min	65 min	97 min
	60	20 min	33 min	54 min	81 min
	80	17 min	28 min	45 min	68 min

ULTRA HD									
Carte CFast	Fréquence d'images	Blackmagic RAW 3:1	Blackmagic RAW 5:1	Blackmagic RAW 8:1	Blackmagic RAW 12:1	ProRes 422 HQ	ProRes 422	ProRes 422 LT	ProRes 422 Proxy
256GB		Durée	Durée	Durée	Durée	Durée	Durée	Durée	Durée
	23.98	41 min	68 min	110 min	164 min	47 min	71 min	101 min	230 min
	24	41 min	68 min	109 min	164 min	47 min	71 min	101 min	230 min
	25	39 min	66 min	105 min	157 min	45 min	68 min	97 min	221 min
	30	33 min	55 min	88 min	131 min	38 min	57 min	81 min	184 min
	50	19 min	33 min	52 min	79 min	22 min	34 min	48 min	111 min
	60	16 min	27 min	44 min	66 min	18 min	28 min	40 min	92 min

3.7K anamorphique					
Carte CFast	Fréquence d'images	Blackmagic RAW 3:1	Blackmagic RAW 5:1	Blackmagic RAW 8:1	Blackmagic RAW 12:1
256GB		Durée	Durée	Durée	Durée
	23.98	31 min	51 min	82 min	123 min
	24	31 min	51 min	82 min	123 min
	25	29 min	49 min	79 min	118 min
	30	24 min	41 min	65 min	98 min
	50	15 min	24 min	39 min	59 min
	60	12 min	20 min	33 min	49 min

2.8K anamorphique					
Carte CFast	Fréquence d'images	Blackmagic RAW 3:1	Blackmagic RAW 5:1	Blackmagic RAW 8:1	Blackmagic RAW 12:1
256GB		Durée	Durée	Durée	Durée
	23.98	57 min	95 min	151 min	226 min
	24	57 min	95 min	151 min	226 min
	25	54 min	91 min	145 min	217 min
	30	45 min	76 min	121 min	181 min
	50	27 min	45 min	73 min	109 min
	60	22 min	38 min	61 min	91 min
	80	17 min	28 min	45 min	68 min

2.8K 17:9					
Carte CFast	Fréquence d'images	Blackmagic RAW 3:1	Blackmagic RAW 5:1	Blackmagic RAW 8:1	Blackmagic RAW 12:1
256GB		Durée	Durée	Durée	Durée
	23.98	81 min	136 min	216 min	321 min
	24	81 min	135 min	215 min	320 min
	25	78 min	130 min	207 min	308 min
	30	65 min	108 min	173 min	258 min
	50	39 min	65 min	104 min	156 min
	60	32 min	54 min	87 min	130 min
	120	16 min	27 min	43 min	65 min

2.6K 16:9					
Carte CFast	Fréquence d'images	Blackmagic RAW 3:1	Blackmagic RAW 5:1	Blackmagic RAW 8:1	Blackmagic RAW 12:1
256GB		Durée	Durée	Durée	Durée
	23.98	87 min	144 min	230 min	342 min
	24	87 min	144 min	229 min	342 min
	25	83 min	138 min	220 min	328 min
	30	69 min	115 min	184 min	275 min
	50	41 min	69 min	111 min	166 min
	60	34 min	58 min	92 min	138 min
	120	17 min	29 min	46 min	69 min

HD									
Carte CFast	Fréquence d'images	Blackmagic RAW 3:1	Blackmagic RAW 5:1	Blackmagic RAW 8:1	Blackmagic RAW 12:1	ProRes 422 HQ	ProRes 422	ProRes 422 LT	ProRes 422 Proxy
256GB		Durée	Durée	Durée	Durée	Durée	Durée	Durée	Durée
	23.98	159 min	264 min	418 min	619 min	189 min	283 min	403 min	877 min
	24	159 min	264 min	418 min	618 min	189 min	283 min	403 min	877 min
	25	153 min	253 min	402 min	595 min	182 min	271 min	387 min	843 min
	30	127 min	212 min	336 min	499 min	152 min	227 min	324 min	710 min
	50	76 min	127 min	203 min	303 min	91 min	137 min	196 min	434 min
	60	64 min	106 min	170 min	254 min	76 min	114 min	163 min	363 min
	120	32 min	54 min	87 min	130 min	38 min	57 min	82 min	185 min

REMARQUE Veuillez noter que le Blackmagic RAW est disponible pour les formats d'enregistrement qui utilisent un capteur en mode Full ou Window. Pour tous les formats redimensionnés, sélectionnez un codec ProRes.

Les formats 6K, 6K 2.4:1, 5.7K 17:9, 3.7K anamorphique et 2.8K 17:9 sont uniquement disponibles sur la Pocket Cinema Camera 6K et ils utilisent le codec Blackmagic RAW. La Pocket Cinema Camera 6K utilise le ProRes pour le 4K DCI, l'Ultra HD et la HD.

Les formats 4K 2.4:1, 2.8K anamorphique et 2.6K 16:9 sont uniquement disponibles sur la Pocket Cinema Camera 4K et ils utilisent le codec Blackmagic RAW. La Pocket Cinema Camera 4K utilise le codec Blackmagic RAW ou ProRes pour le 4K DCI, l'Ultra HD et la HD.

Les paramètres de qualité constante Q0 et Q5 afficheront des durées d'enregistrement restantes variables. La durée estimée pour le Q0 est semblable à celle du débit constant 3:1. Le Q5 affichera quant à lui une durée semblable à celle du 12:1. Toutefois, comme la durée estimée se met à jour toutes les 10 secondes pendant l'enregistrement, la meilleure façon de mesurer la durée d'enregistrement à disposition est d'enregistrer pendant 20 secondes, puis de vérifier la durée dans la zone médias de l'écran tactile.

Choisir la fréquence d'images

Votre caméra peut filmer à différentes fréquences d'images et il est important de savoir laquelle est la plus adaptée à votre projet.

Lorsque l'on choisit une fréquence d'images, il y a plusieurs éléments à prendre en compte. En effet, depuis plusieurs années, il existe des normes établies pour le cinéma et la télévision. Ces normes peuvent varier selon les pays mais elles partagent le même objectif ; afficher un nombre d'images par seconde optimal qui permette aux spectateurs d'apprécier le mouvement des images.

Par exemple, pour le cinéma on utilise 24 images par seconde. Bien que, récemment, certains contenus aient été filmés à des fréquences d'images plus rapides, 24 images par seconde reste la norme pour le public international.

En général, les fréquences d'images pour la télévision dépendent des normes de diffusion de chaque pays. Par exemple, pour produire du contenu télévisuel en Amérique du Nord vous filmerez à 29,97 images par seconde, contre seulement 25 en Europe.

Cependant, grâce aux avancées technologiques, nous avons aujourd'hui plus de choix et les normes de diffusion sont en train de changer. Il est désormais commun d'enregistrer et de diffuser des événements sportifs à des fréquences d'images plus élevées. Certains événements sportifs sont enregistrés et diffusés jusqu'à 59,94 images par seconde en Amérique du Nord et jusqu'à 50 en Europe. Ces fréquences élevées apportent plus de fluidité et de réalisme aux images lors d'actions rapides.

Les diffuseurs de streaming et de contenus en ligne utilisent en général la même fréquence d'images que la télévision. Cependant, ils ont plus de liberté pour expérimenter d'autres formats, car les spectateurs peuvent choisir celui de leur choix. Ces diffuseurs sont seulement limités par la capacité d'affichage des écrans.

Lorsque vous choisissez une fréquence d'images pour votre projet, il est généralement conseillé de vous référer au format d'exportation. Réglez la fréquence d'images de votre caméra et adaptez la fréquence du capteur en fonction. Ainsi, vos clips seront lus à vitesse réelle.

Si vous souhaitez créer des effets, par exemple un ralenti, vous pouvez augmenter la fréquence d'images du capteur. Plus la différence entre la fréquence d'images du capteur et celle du projet est grande, plus les images seront ralenties lors de la lecture.

Pour plus d'informations sur le réglage des fréquences d'images du capteur pour créer des effets, veuillez consulter la section « Commandes de l'écran tactile ».

Déclenchement de l'enregistrement

La Blackmagic Pocket Cinema Camera envoie automatiquement un signal via la sortie HDMI. Ce signal déclenche alors l'enregistrement lorsque la caméra est connectée à du matériel qui prend en charge cette fonctionnalité, tel que le Blackmagic Video Assist.

Ainsi, lorsque vous appuyez sur le bouton d'enregistrement de la caméra, l'enregistreur externe enclenche également l'enregistrement. Lorsque vous appuyez sur le bouton d'arrêt de l'enregistrement, il s'interrompt. La caméra envoie également le timecode via HDMI. Les images enregistrées sur des enregistreurs externes affichent donc le même timecode que les images enregistrées sur la caméra.

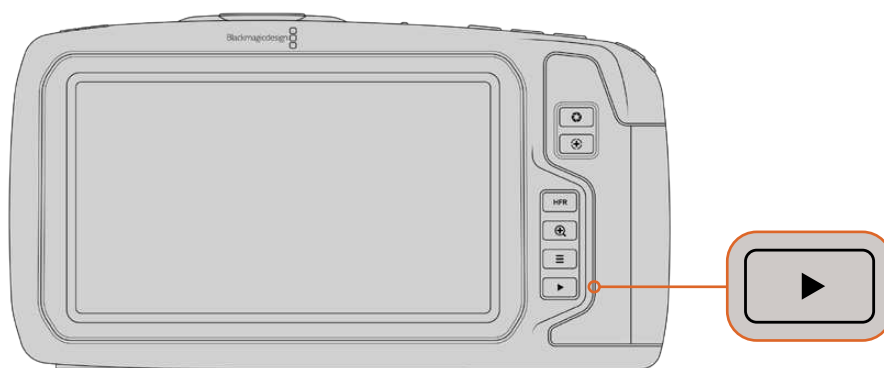
Si votre enregistreur externe prend en charge l'enclenchement de l'enregistrement, vous devrez l'activer. En général, vous pouvez l'activer depuis le menu de paramétrage de l'enregistreur.

Lecture

Lire des clips

Une fois votre vidéo enregistrée, vous pouvez utiliser les commandes de transport de la caméra pour la visualiser sur l'écran LCD. Appuyez sur le bouton de lecture pour passer en mode lecture. Appuyez de nouveau sur ce bouton pour lire le dernier clip enregistré sur l'écran LCD et sur tout écran connecté à la sortie HDMI. Maintenez les touches avant ou arrière sur l'écran pour avancer ou reculer dans l'enregistrement. La lecture se terminera lorsque la fin du clip est atteinte.

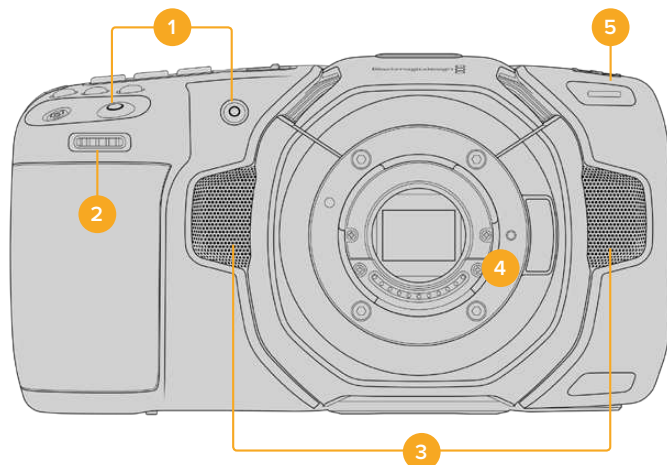
Vous pouvez vous servir des touches avant ou arrière pour passer directement au début ou à la fin des clips. Appuyez une fois sur l'icône de retour rapide pour retourner au début du clip en cours ou appuyez deux fois pour revenir au début du clip précédent. En appuyant sur le bouton d'enregistrement, vous quitterez le mode lecture et vous serez redirigé sur l'affichage caméra.



Pour visualiser le dernier clip enregistré sur l'écran tactile, appuyez sur le bouton de lecture des commandes de transport.

Caractéristiques de la caméra

Face avant de la caméra



1 Boutons d'enregistrement

Pour démarrer ou arrêter l'enregistrement, appuyez sur un des boutons d'enregistrement. Un second bouton d'enregistrement est disponible à l'avant de la caméra pour vous auto-enregistrer.

2 Molette de paramétrage

La molette de paramétrage vous permet d'ajuster l'ouverture des objectifs compatibles montés sur votre caméra. Lorsque vous êtes face à l'écran tactile, tournez la roue vers la gauche pour ouvrir l'iris, ou vers la droite pour le fermer. Vous pouvez également utiliser cette molette pour régler la balance des blancs, l'angle d'obturation et l'ISO. Sélectionnez un paramètre en appuyant sur un des boutons sur le haut de la caméra, puis réglez-le à l'aide de la molette. Une fois les réglages effectués, appuyez sur la molette pour faire disparaître le menu de sélection.

3 Micros stéréo

La caméra est dotée de quatre micros stéréo haut de gamme intégrés. Pour plus d'informations concernant le paramétrage audio du micro, consultez la section « Onglet Audio » de ce manuel.

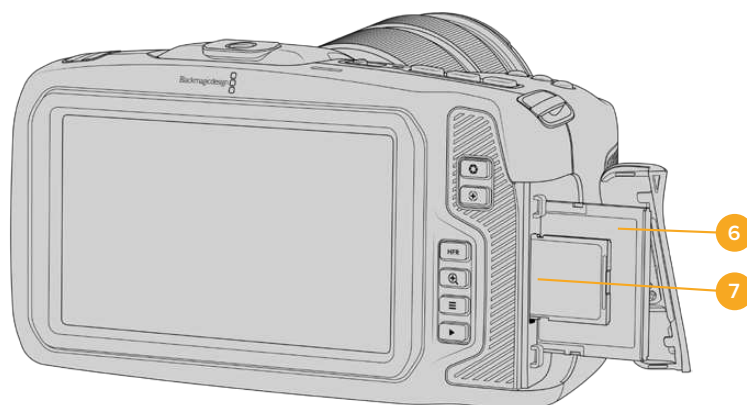
4 Monture d'objectif

La Blackmagic Pocket Cinema Camera 6K est dotée d'une monture d'objectif EF active, et le modèle 4K possède une monture d'objectif Micro 4/3 active. Vous pouvez monter des objectifs dotés de la stabilisation intégrée sur les deux caméras et utiliser la mise au point et l'exposition automatiques avec des objectifs compatibles. Pour utiliser la stabilisation d'image **IS** proposée par de nombreux objectifs actifs, réglez le stabilisateur sur **On** pour activer la stabilisation sur votre caméra. Si votre objectif dispose d'un interrupteur permettant la sélection du mode de stabilisation, réglez-le sur le mode approprié. Si votre objectif n'est pas doté d'un interrupteur physique, vous pouvez activer ou désactiver le stabilisateur depuis le menu de paramétrage de la caméra.

5 Tally / Indicateur d'enregistrement

La caméra possède un petit voyant LED à l'avant qui s'allume en rouge lorsque la caméra enregistre. Vous pouvez activer ou désactiver le voyant du tally et ajuster sa luminosité depuis le menu de paramétrage. Pour plus d'informations, consultez la section « Onglet Réglages » de ce manuel.

Face droite



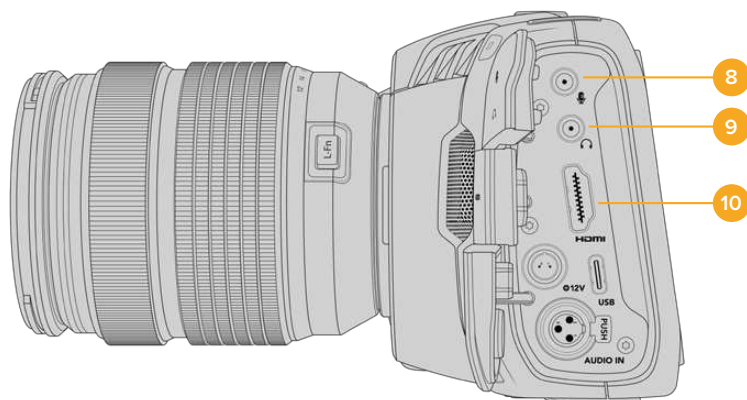
6 Logement pour carte CFAST

Insérez des cartes CFAST 2.0 dans la fente pour l'enregistrement et la lecture. Pour plus d'informations, consultez la section « Cartes CFAST ».

7 Logement pour carte SD

Insérez des cartes SD dans la fente pour l'enregistrement et la lecture. Pour plus d'informations, consultez la section « Cartes SD ».

Face gauche



8 Entrée pour micro de 3,5mm

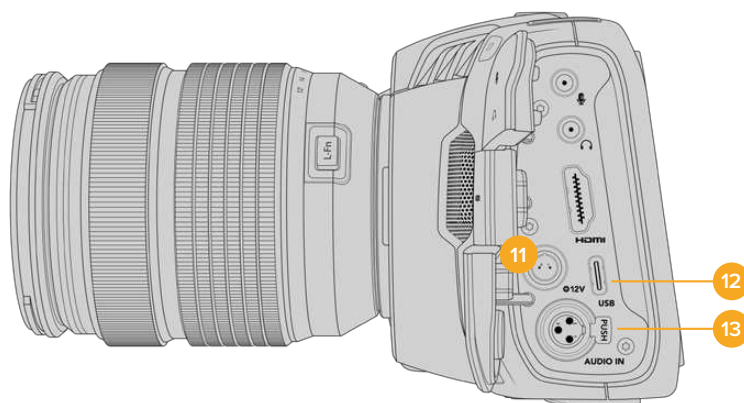
Branchez un micro au connecteur stéréo 3,5mm de la caméra. Les niveaux audio micro et ligne sont pris en charge. Le niveau micro est plus faible que le niveau ligne, ainsi, si vous connectez un micro à la caméra et que le niveau ligne est sélectionné, le son sera certainement trop faible. L'entrée pour micro accepte également le timecode LTC conforme à la norme SMPTE provenant d'une source externe sur le canal de gauche. Un timecode valide sera détecté automatiquement, et intégré à votre fichier vidéo en tant que métadonnées. Nous vous recommandons d'envoyer un timecode LTC via une entrée de niveau ligne, en particulier si vous n'enregistrez pas le timecode en tant que piste audio.

9 Entrée pour casque

Contrôlez votre audio durant l'enregistrement ou la lecture de vos séquences en branchant vos écouteurs à la prise de casque stéréo de 3,5 mm. Lorsqu'un casque est branché, la sortie du haut-parleur est coupée.

10 Sortie HDMI

Le connecteur HDMI prend en charge la vidéo HD 1080p 4:2:2 10 bits et le HDR avec 2 canaux d'audio intégré. Utilisez l'écran tactile pour régler un clean feed ou pour intégrer des informations sur la sortie.



11 Entrée d'alimentation

Vous pouvez utiliser le connecteur DC pour alimenter la caméra et effectuer une charge lente de la batterie simultanément. Pour connecter l'adaptateur, tournez-le jusqu'à ce que sa barrette s'aligne avec l'encoche supérieure du port, puis poussez jusqu'à ce qu'il s'emboîte correctement. Pour le déconnecter, tirez la gaine et retirez-le du port.

Solutions d'alimentation personnalisées

Certains utilisateurs ont créé des solutions d'alimentation personnalisées pour charger leur Blackmagic Pocket Cinema Camera. Si vous souhaitez développer votre propre solution d'alimentation avec une batterie factice, veillez à ne pas fournir une tension trop élevée à votre caméra, car cela pourrait causer des dommages irréversibles. Les tensions requises pour la Pocket Cinema Camera sont les suivantes :

- La connexion d'entrée de la batterie doit être comprise entre 6,2 et 10V max.
- L'entrée DC doit être comprise entre 10,8V et 20V max.
- La caméra nécessite 16W lorsqu'elle est en mode veille et qu'elle ne charge pas la batterie.
- La caméra nécessite 30W lorsqu'elle charge la batterie de type LP-E6.
- Lorsque vous alimentez votre caméra avec une source d'alimentation externe, nous vous recommandons de retirer la batterie de type LP-E6.
- Lorsque vous enregistrez sur un support externe avec un objectif actif à des fréquences d'images élevées, que la luminosité de l'écran et du tally est au maximum, et que la batterie n'est pas en charge, 25W sont nécessaires pour la Pocket Cinema Camera 6K et 22W sont nécessaires pour la Pocket Cinema Camera 4K.

12 USB

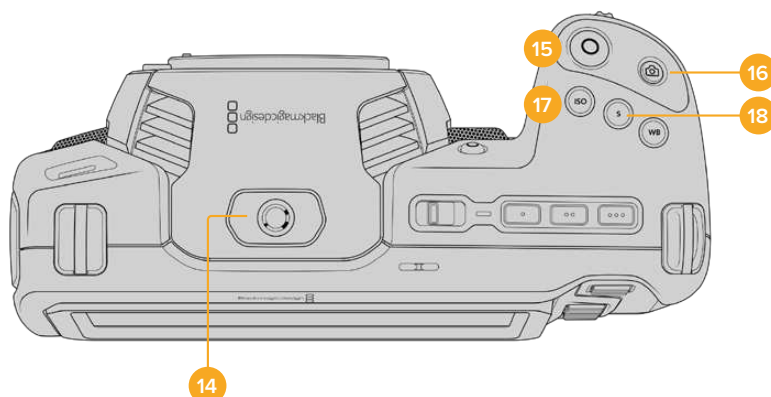
Le port USB-C vous permet d'enregistrer directement sur un disque flash USB-C. Lorsque votre caméra est éteinte, vous pouvez recharger la batterie via le port USB-C depuis une source d'alimentation externe, comme un bloc de batteries externe. Pour mettre à jour le logiciel interne de la caméra, connectez la caméra à un ordinateur via un port USB-C et lancez l'application de mise à jour.

13 Entrée mini XLR pour microphone

Branchez de l'audio analogique symétrique externe via le connecteur mini XLR. Vous pouvez connecter un microphone XLR standard à la caméra à l'aide d'un adaptateur XLR to mini XLR.

L'entrée mini XLR fournit une alimentation fantôme pour connecter des micros professionnels qui ne sont pas alimentés en interne. Pour plus d'informations sur l'activation de l'alimentation fantôme, veuillez consulter la section « Onglet Audio » de ce manuel.

Face supérieure



14 Pas de vis 1/4-20

Vous pouvez utiliser le pas de vis 1/4-20 situé sur la face supérieure de la caméra pour monter un micro externe ou d'autres petits accessoires.

CONSEIL Utilisez seulement la monture 1/4" située sur le haut de la Pocket Cinema Camera pour des accessoires légers, tels que des micros de petite taille. Ne soulevez pas la caméra par les accessoires installés via la monture 1/4", comme une poignée de caméra, lorsque la caméra est équipée d'un objectif lourd. Cela endommagera la monture 1/4" et ne sera pas couvert par la garantie. Ne soumettez pas la monture à une force de levier trop excessive, en montant un accessoire lourd sur un bras d'extension par exemple. Pour monter des accessoires lourds, nous vous recommandons vivement d'utiliser une cage de caméra compatible avec la Pocket Cinema Camera qui se fixe à la fois à la monture 1/4" supérieure et à la monture inférieure de la caméra.

15 Enregistrement

Appuyez sur le bouton d'enregistrement pour démarrer l'enregistrement immédiatement. Appuyez à nouveau sur ce bouton pour arrêter l'enregistrement.

16 Image fixe

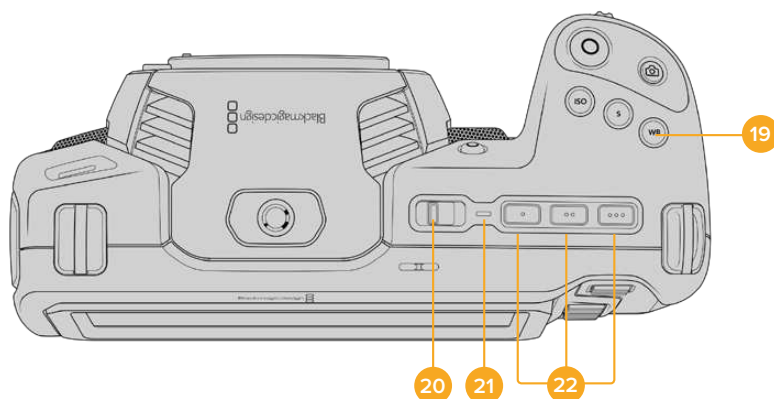
Pour capturer une image au format DNG non compressé, appuyez sur le bouton d'image fixe. Une icône d'appareil photo apparaît brièvement en haut à droite de l'écran pour confirmer que vous avez capturé une image fixe. Cette image est sauvegardée dans le dossier **Stills** dans le répertoire racine du support sur lequel vous enregistrez. L'image est enregistrée selon la convention de dénomination des fichiers relative aux clips vidéo, mais les quatre derniers caractères du nom de fichier porteront le numéro de l'image, par exemple **S001**.

17 ISO

Appuyez sur le bouton ISO, puis tournez la molette de paramétrage pour ajuster l'ISO. Il peut être incrémenté par 1/3 de diaphragme entre 100 et 25 600.

18 Obturateur

Pour modifier l'angle ou la vitesse d'obturation, appuyez sur le bouton d'obturation **S**, puis tournez la molette de paramétrage. L'écran tactile proposera également jusqu'à trois options d'obturation sans scintillement.



19 Balance des blancs

Appuyez sur le bouton de la balance des blancs **WB**, puis tournez la molette de paramétrage pour ajuster la balance des blancs. En restant appuyé pendant 3 secondes sur le bouton **WB**, vous pouvez accéder rapidement à l'écran de la balance des blancs automatique. Un carré blanc s'affichera au centre de l'image, et la caméra utilisera cette zone pour effectuer la balance des blancs automatique. Pour plus d'informations, consultez la section « Commandes de l'écran tactile ».

20 Interrupteur général

Interrupteur permettant de mettre en marche la caméra. Déplacez l'interrupteur vers la droite pour allumer votre caméra, et vers la gauche pour l'éteindre.

21 Voyant d'état LED

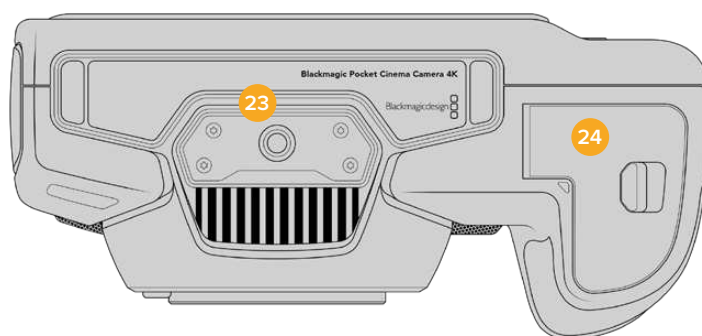
Lorsque la caméra est éteinte et branchée à une source d'alimentation externe via le connecteur DC 12V ou via le port USB-C, le voyant s'allume en rouge pour indiquer que la batterie est en charge.

Lorsque la batterie est pleine, le voyant d'état LED s'éteint.

22 Boutons de fonction

Vous pouvez assigner des fonctions couramment utilisées à ces boutons via le menu **Réglages** de la caméra. Par défaut, le bouton numéro 1 est réglé sur **Fausses couleurs**, le 2 sur **Afficher LUT** et le 3 sur **Repères de cadrage**.

Face inférieure



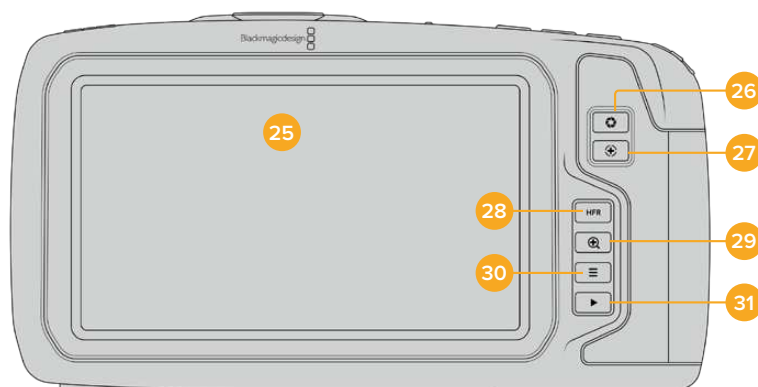
23 Pas de vis 1/4-20

Montez la caméra sur un trépied à l'aide du pas de vis 1/4-20 inférieur.

24 Compartiment de la batterie

Poussez le loquet du compartiment à batterie en direction de la monture d'objectif pour ouvrir le compartiment. Pour le refermer, fermez le compartiment jusqu'à ce que le loquet se clipse.

Face arrière



25 Écran tactile

Contrôlez vos clips lors de l'enregistrement et de la lecture à l'aide de l'écran tactile. Touchez et balayez l'écran pour effectuer les réglages et contrôler la caméra.

26 Bouton Iris

Appuyez sur le bouton Iris pour régler automatiquement l'exposition moyenne en fonction des hautes lumières et des zones d'ombres de la prise. Vous pouvez ajuster l'ouverture de l'objectif manuellement en tournant les molettes de paramétrage, ou en touchant Iris sur l'écran tactile et en ajustant le curseur.

27 Bouton de mise au point

Lorsque vous utilisez un objectif à mise au point automatique compatible avec votre caméra, il suffit d'appuyer une fois sur le bouton de mise au point pour effectuer une mise au point automatique. Par défaut, l'objectif effectue une mise au point automatique sur le centre de l'image. Toutefois, vous pouvez sélectionner une autre zone de l'image en la touchant sur l'écran LCD. Appuyez deux fois sur le bouton de mise au point pour la réinitialiser sur le centre de l'image.

REMARQUE Veuillez noter que la plupart des objectifs prennent en charge la mise au point automatique, cependant, certains peuvent être réglés en mode manuel ou automatique. Il vous faudra donc vérifier que votre objectif est bien réglé en mode automatique.

28 Bouton HFR

Appuyez sur le bouton HFR pour basculer entre les fréquences d'images. Pour ce faire, il suffit de régler la fréquence d'images off speed que vous souhaitez utiliser dans le menu des fréquences d'image. Ensuite, appuyez sur le bouton HFR pour basculer entre la fréquence d'images off speed choisie et la fréquence d'images du projet. Il est important de mentionner que ce paramètre ne peut pas être modifié durant l'enregistrement.

Pour plus d'informations sur les fréquences d'images du projet et off speed, consultez la section « Commandes tactiles ».

29 Bouton Zoom pour la mise au point

Appuyez sur ce bouton pour zoomer et ajuster la mise au point à une échelle de pixel de 1:1. Pendant le zoom, vous pouvez ajuster le zoom en pinçant avec vos deux doigts sur l'écran tactile (Pinch to zoom). Pour plus d'informations, consultez la section « Zoomer en pinçant ». Pendant le zoom, vous pouvez toucher l'écran pour visionner différentes zones de l'image. Pour dézoomer, appuyez une seconde fois sur ce bouton.

30 Bouton Menu

Appuyez sur le bouton du menu pour ouvrir le menu de navigation.

31 Bouton de lecture

Appuyez sur le bouton de lecture pour passer en mode lecture. Appuyez de nouveau sur ce bouton pour lire le dernier clip enregistré sur l'écran LCD et sur tout écran connecté à la sortie HDMI.

Commandes de l'écran tactile

Fonctionnalités de l'écran tactile

L'écran LCD tactile de la Blackmagic Pocket Cinema Camera est doté d'une interface intuitive conçue pour une utilisation rapide de la caméra. Il suffit de toucher et de balayer l'écran pour accéder rapidement aux fonctionnalités de la caméra pendant le tournage.



L'écran LCD tactile de la caméra offre un grand nombre d'informations et vous permet d'accéder facilement à vos paramètres préférés.

Options de l'écran LCD

Touchez l'indicateur écran en haut à gauche de l'écran tactile pour ouvrir les options de l'écran LCD. Ces options permettent de régler les paramètres de l'écran LCD, notamment le zébra, l'aide à la mise au point, les repères de cadrage et la grille. Lorsque vous ouvrez ces options, les fonctionnalités apparaissent dans un menu organisé par onglet en bas de l'écran.



Touchez l'icône en haut à gauche de l'écran LCD tactile de votre caméra pour ouvrir les options de l'écran LCD.

Zébra

Ce paramètre affiche le zébra sur l'écran tactile et permet de régler le niveau de zébra pour la sortie HDMI.

Le zébra affiche des hachures diagonales sur les zones de l'image qui dépassent le niveau d'exposition préalablement réglé. Par exemple, un réglage du zébra sur 100 % mettra en évidence les zones complètement surexposées. Ce paramètre est utile pour obtenir une exposition optimale en conditions lumineuses fixes.



Touchez l'indicateur zebra au sein des options de l'écran LCD pour ouvrir ce paramètre.

Dans l'onglet du zebra, touchez le bouton en bas à gauche de l'écran pour afficher le zebra sur l'écran tactile.

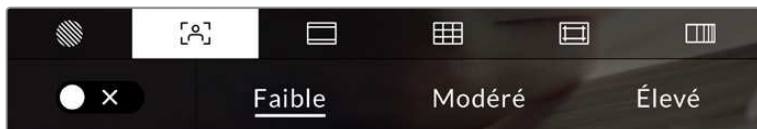
Réglez le niveau d'exposition auquel les hachures apparaîtront en faisant glisser le curseur vers la gauche ou la droite, ou touchez les flèches pour incrémenter le pourcentage du zebra. Le niveau du zebra est réglable par palier de 5% entre 75% et 100% d'exposition.

Pour plus d'informations concernant l'activation du zebra sur la sortie HDMI de la caméra, consultez la section « Onglet Moniteur » de ce manuel.

CONSEIL Si vous tournez en conditions lumineuses variables, telles qu'en extérieur avec un ciel nuageux, régler le niveau de zebra en dessous de 100 peut vous permettre de voir les zones surexposées.

Focus Assist

Ce paramètre affiche l'aide à la mise au point sur l'écran tactile et permet de régler le niveau d'aide à la mise au point pour la sortie HDMI de la Blackmagic Pocket Cinema Camera.



Touchez l'indicateur d'aide à la mise au point au sein des options de l'écran LCD pour ouvrir ce paramètre sur l'écran de la caméra.

Pour afficher l'aide à la mise au point sur l'écran tactile, touchez le bouton en bas à gauche de l'écran.

Pour régler le niveau d'aide à la mise au point pour la sortie HDMI de la Blackmagic Pocket Cinema Camera 4K, touchez **Faible**, **Modéré**, ou **Élevé** en bas de l'écran tactile.

Le niveau optimal d'aide à la mise au point peut varier selon les plans. Par exemple, lorsque vous effectuez la mise au point sur les acteurs, un niveau d'aide à la mise au point plus élevé permet de bien définir le contour du visage. En revanche, si vous réglez un niveau élevé sur un plan représentant du feuillage ou un mur de briques, vous allez sans doute obtenir trop d'informations nettes.

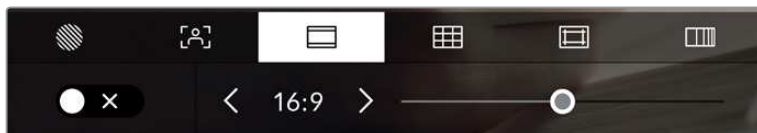
Pour plus d'informations concernant l'activation de l'aide à la mise au point sur la sortie HDMI de la caméra, consultez la section « Menu Moniteur » de ce manuel.

CONSEIL La Blackmagic Pocket Cinema Camera possède deux modes d'aide à la mise au point. Vous pouvez alterner entre **Crête** et **Lignes colorées** dans l'onglet **Moniteur**. Pour plus d'informations, consultez la section « Onglet Moniteur » de ce manuel.

Repères de cadrage

Ce paramètre affiche les repères de cadrage sur l'écran tactile. Vous pouvez également choisir les options de cadrage pour la sortie HDMI de votre caméra.

Les repères de cadrage offrent des formats d'image propres aux normes du cinéma, de la télévision et d'Internet.



Touchez l'indicateur des repères de cadrage au sein des options de l'écran LCD pour ouvrir ce paramètre.

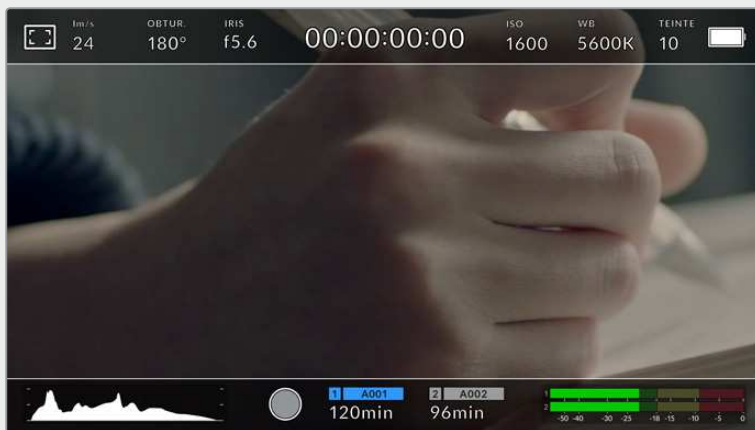
Pour activer ou désactiver les repères de cadrage sur l'écran tactile, appuyez sur l'interrupteur en bas à gauche dans le menu correspondant.

Choisissez le repère de cadrage que vous souhaitez utiliser en faisant glisser le curseur vers la gauche et vers la droite, ou à l'aide des flèches. Vous pouvez également entrer un ratio de repère de cadrage personnalisé en tapant sur le ratio entre les deux boutons de ratio.

Les repères disponibles sont :

2.35:1, 2.39:1 et 2.40:1

Affiche un rapport d'image très large compatible avec les projections cinéma au format large avec ou sans anamorphose. Ces trois paramètres sont un peu différents et représentent l'évolution de plusieurs normes cinématographiques. 2.39:1 est l'une des normes les plus répandues aujourd'hui.



Écran LCD tactile sur lequel le repère de cadrage 2.40:1 est activé.

2:1

Ce format est un peu plus large que le 16:9 mais pas autant que le 2.35:1.

1.85:1

Affiche un autre rapport d'image large très répandu au cinéma. Ce ratio est un peu plus large que le HDTV 1.78:1 mais pas autant que le 2.39:1.

16:9

Affiche un rapport d'image de 1.78:1 compatible avec les écrans d'ordinateur et de télévision HD 16:9. Ce format est fréquemment utilisé pour la diffusion en HD et les vidéos en ligne. Toutefois, il a également été adopté pour la diffusion en Ultra HD.

14:9

Affiche le rapport d'image 14:9 utilisé pour la diffusion télévisuelle, car il représente un compromis entre les téléviseurs 16:9 et 4:3. Idéalement, les images 16:9 et 4:3 rognées latéralement peuvent être lues en format 14:9. Vous pouvez utiliser ces repères si votre projet est diffusé sur un téléviseur qui prend en charge le rapport d'image 14:9.

4:3

Affiche un rapport d'image de 4:3 compatible avec les écrans de télévision SD, ou en tant qu'aide de cadrage lorsque vous utilisez des adaptateurs anamorphiques x2.

1:1

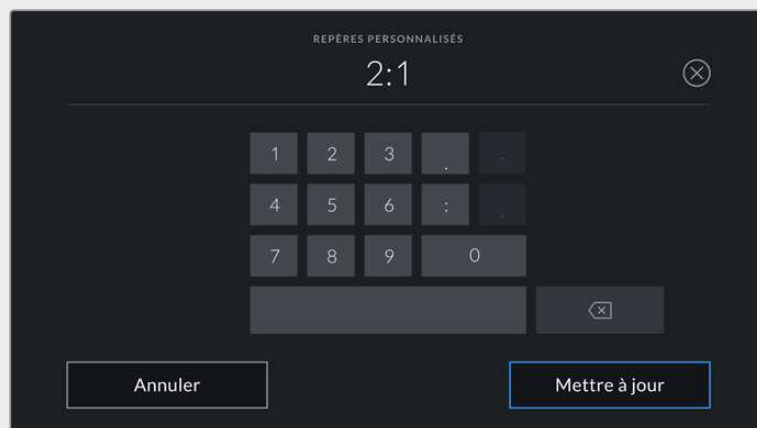
Affiche un ratio de 1/1 légèrement plus étroit que le 4:3. Ce ratio donne une image au format carré de plus en plus populaire sur les réseaux sociaux.

4:5

Affiche un ratio de 4/5. L'aspect vertical de ce ratio est idéal pour les portraits et les affichages sur smartphones.

Ratios de repères de cadrage personnalisés

Pour personnaliser le ratio et obtenir une apparence unique, tapez sur le ratio affiché entre les flèches. Sur l'écran de repères de cadrages personnalisés, appuyez sur la touche de retour pour supprimer le ratio actuel. Puis, utilisez le clavier numérique pour entrer votre propre ratio. Touchez **Mettre à jour** pour appliquer la ratio et retourner à l'enregistrement.



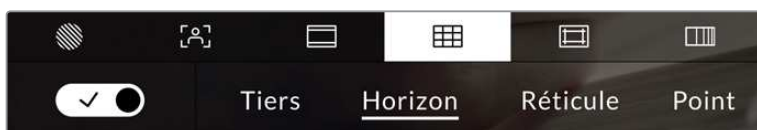
Utilisez le clavier numérique sur l'écran des Repères personnalisés pour saisir un nouveau ratio de repères de cadrage

CONSEIL Vous pouvez changer l'opacité des repères de cadrage. Pour plus d'informations, consultez la section « Onglet Moniteur » de ce manuel.

REMARQUE Pour plus d'informations concernant l'activation des repères de cadrage sur la sortie HDMI de la caméra, consultez la section « Onglet Moniteur » de ce manuel.

Grille

Ce paramètre affiche une grille selon la règle des tiers, un indicateur d'horizon, un réticule ou un point central sur l'écran tactile et permet de choisir les informations qui apparaîtront sur la sortie HDMI.



Touchez l'indicateur de la grille au sein des options de l'écran LCD pour ouvrir ce paramètre.

La grille et le réticule affichent des informations qui facilitent la composition de l'image. Quand la grille est activée, l'écran LCD affiche une grille selon la règle des tiers, un indicateur d'horizon, un réticule ou un point central.

Pour afficher la grille sur l'écran tactile, touchez le bouton en bas à gauche de l'écran, lorsque vous êtes sur l'onglet des repères de cadrage.

Pour sélectionner les informations que vous souhaitez afficher sur la sortie HDMI, touchez **Tiers**, **Réticule** ou **Point**. Vous pouvez sélectionner un paramètre **Horizon**, **Réticule** ou **Point** à la fois, en conjonction avec **Tiers**. Ainsi, vous pouvez appliquer les combinaisons **Tiers/Horizon**, **Tiers/Réticule** et **Tiers/Point**.



La grille selon la règle des tiers s'adapte automatiquement à tous les repères de cadrage.

Tiers

Affiche une grille dotée de deux lignes verticales et de deux lignes horizontales divisant l'image en tiers. C'est un outil très pratique pour faciliter la composition de vos plans. Comme le regard se pose naturellement près des points d'intersection de ces lignes, il est utile de cadrer des éléments importants dans ces zones-là. Les yeux des acteurs doivent généralement être situés dans le tiers supérieur de l'écran, vous pouvez donc utiliser cette zone pour faciliter le cadrage. Cette division de l'image en tiers est très utile pour maintenir un cadrage cohérent de vos plans.

Horizon





Ce paramètre indique lorsque votre caméra est inclinée vers la gauche ou vers la droite et vers le haut ou vers le bas. Cela vous permet de mesurer l'horizon pour les prises au poing et ainsi d'équilibrer l'axe de la caméra sur un stabilisateur.

Lorsque la ligne verticale grise claire s'éloigne du réticule gris foncé situé au milieu, alors votre caméra est inclinée sur le côté. Lorsque la ligne horizontale grise claire est au-dessus du réticule gris foncé, la caméra est inclinée vers le bas. Lorsqu'elle est au-dessous du réticule gris foncé, la caméra est inclinée vers le haut.

La distance entre les lignes et le réticule central est proportionnelle à l'inclinaison horizontale ou verticale. Après avoir calibré le capteur de mouvement de la caméra, la ligne verticale devient bleue lorsque la caméra est alignée sur l'axe rectiligne, et la ligne horizontale devient bleue lorsque la caméra est alignée sur l'axe du niveau.

Notez que si la caméra est inclinée vers le bas pour une vue aérienne ou verticale, l'indicateur d'horizon le prendra en compte. Si vous inclinez la caméra sur le côté pour un portrait, l'indicateur d'horizon pivote son axe à 90 degrés.

Ce tableau présente des exemples d'inclinaisons de la caméra avec l'indicateur d'horizon.

Indicateur d'horizon	Description
	Rectiligne et à niveau
	Inclinée vers le bas et à niveau
	Rectiligne et inclinée vers la gauche
	Inclinée vers le haut et vers la droite

Pour une utilisation classique, calibrez l'indicateur d'horizon pour connaître l'inclinaison verticale ou horizontale. Si vous souhaitez utiliser l'indicateur d'horizon pour maintenir un « plan débullé » ou une inclinaison vers le bas ou le haut pour des prises en contre-plongée ou en plongée, vous pouvez calibrer l'indicateur d'horizon sur une inclinaison. Pour plus d'informations sur le calibrage de l'indicateur d'horizon, consultez la section « calibrage du capteur de mouvement ».

Réticule

Ce paramètre place un réticule au centre de l'image. Comme la règle des tiers, le réticule est un outil de composition qui permet de placer le sujet au centre de l'image. Ce paramètre est parfois utilisé pour filmer des scènes qui seront ensuite montées très rapidement. Pour les spectateurs, il est plus facile de suivre un enchaînement rapide de scènes si l'élément important de la scène est maintenu au centre de l'image.

Point

Ce paramètre affiche un point au centre de l'image. Il fonctionne de la même façon que le paramètre **Réticule** mais dispose d'un point central moins voyant.

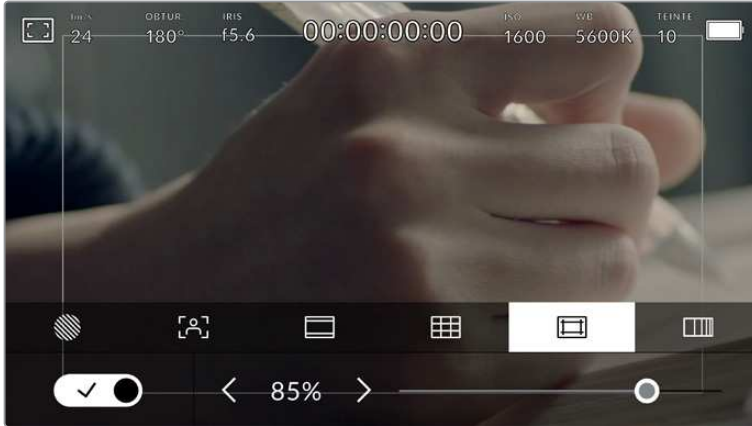
CONSEIL Pour plus d'informations concernant l'activation de la grille sur la sortie HDMI de la caméra, consultez la section « Onglet Moniteur » de ce manuel.

Zone de sécurité

Ce paramètre active ou désactive la zone de sécurité sur l'écran tactile et permet de régler sa taille sur la sortie HDMI.

La zone de sécurité garantit que les zones les plus importantes de l'image seront visibles à l'écran. En gardant ces zones au centre de l'image, l'image n'est pas rognée sur certains téléviseurs. De plus, cela permet aux diffuseurs d'ajouter des logos, des synthés et d'autres informations sur les bords de l'écran. Beaucoup de diffuseurs demandent que les contenus importants, tels que les titres et les graphiques, soient contenus dans la zone de sécurité à 90%.

La zone de sécurité est également utile pour cadrer un plan qui sera stabilisé en post-production et dont les bords peuvent être rognés. Elle est aussi pratique pour indiquer un rognage spécifique. Par exemple, en réglant ce paramètre sur 50% lorsque vous enregistrez en Ultra HD 3840x2160, vous verrez à quoi un recadrage de 1920x1080 ressemble. La zone de sécurité redimensionne également les repères de cadrage, qui s'ajusteront pour refléter le pourcentage de l'image cible choisie.



Le repère indiquant la zone de sécurité est réglé sur 85%.

Dans l'onglet de la zone de sécurité, touchez le bouton en bas à gauche de l'écran pour ouvrir ce paramètre. Pour régler la valeur de la zone de sécurité pour la sortie HDMI, touchez les flèches gauche ou droite situées de part et d'autre de la valeur actuelle au bas de l'écran tactile. Vous pouvez aussi ajuster le curseur en le déplaçant vers la gauche ou vers la droite.

Fausses couleurs

Ce paramètre permet d'activer l'outil d'aide à l'exposition fausses couleurs sur l'écran tactile.

La fonction fausses couleurs applique différentes couleurs à différentes zones de l'image. Ces couleurs représentent les différentes valeurs d'exposition des éléments de votre image. Par exemple, la couleur rose représente une exposition optimale pour la peau blanche, alors que le vert correspond à une couleur de peau plus foncée. En vérifiant ces fausses couleurs lorsque vous filmez des êtres humains, vous maintiendrez une exposition stable de leur couleur de peau.

De même, lorsque la couleur des éléments de votre image passe du jaune au rouge, cela signifie qu'ils sont surexposés.

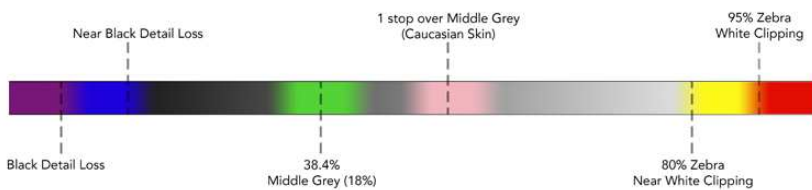


Schéma de la fonction fausses couleurs

Dans l'onglet des fausses couleurs, touchez l'icône en bas à gauche de l'écran pour activer cette fonction sur l'écran tactile.



Onglet d'aide à l'exposition fausses couleurs.

Images par seconde

L'indicateur **Im/s** affiche le nombre d'images par seconde sélectionné.



Touchez l'indicateur **Im/s** pour accéder aux paramètres de fréquence d'images.

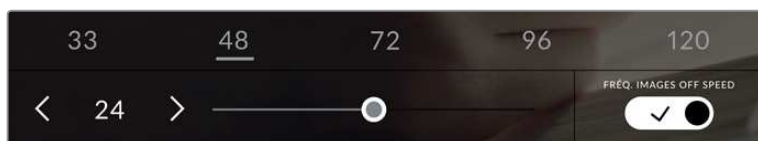
Touchez l'indicateur **Im/s** pour changer la fréquence d'images du projet et du capteur via le menu situé en bas de l'écran.

Fréquence d'images du projet

La fréquence d'images du projet représente la fréquence d'image du format d'enregistrement de la caméra. Ce paramètre propose une sélection de fréquences d'images couramment utilisées dans l'industrie du cinéma et de la télévision. En général, on fait coïncider la fréquence d'images avec le workflow de post-production.

Huit fréquences d'images sont disponibles : 23.98, 24, 25, 29.97, 30, 50, 59.94 et 60 images par seconde.

Pour régler la fréquence d'images du projet de la caméra dans le menu **Im/s**, touchez les flèches gauche et droite situées de part et d'autre de la fréquence d'images en bas de l'écran tactile. Vous pouvez aussi ajuster le curseur en le déplaçant vers la gauche ou vers la droite.

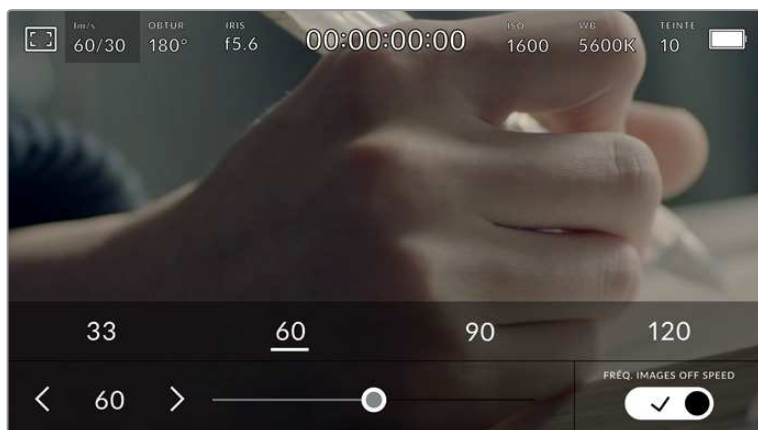


Touchez les flèches situées de part et d'autre de la fréquence d'images du projet ou déplacez le curseur pour régler ce paramètre

CONSEIL La fréquence d'images du projet définit également la fréquence d'images de la sortie HDMI.

Fréquence d'images du capteur

La fréquence d'images du capteur vous permet de régler le nombre d'images par seconde que le capteur enregistre. Cette fréquence d'images détermine la vitesse de lecture de votre vidéo en fonction de la fréquence d'images de projet choisie.



Lorsque la fonction **Fréq. images off speed** est activée, touchez un pré-réglage ou les flèches situées de part et d'autre de la fréquence d'images du capteur ou déplacez le curseur pour régler le paramètre.

Par défaut, les fréquences d'images du projet et du capteur correspondent pour que le clip soit lu en vitesse normale. Cependant, en touchant l'interrupteur **Fréq. images off speed** situé en bas à droite du menu **Im/s** de la caméra, vous pouvez régler indépendamment la fréquence d'images du capteur.

Pour modifier la fréquence d'images du capteur, touchez les flèches situées de part et d'autre de la fréquence d'images en bas à gauche de l'écran tactile. Vous pouvez également déplacer le curseur vers la gauche ou vers la droite afin d'augmenter ou de réduire la fréquence d'images. Dès que vous relâchez le curseur, la fréquence d'images du capteur est sélectionnée. Au dessus du curseur, vous pouvez choisir parmi les fréquences d'images off speed qui s'affichent. Elles sont basées sur la fréquence d'images du projet.

Vous pouvez également créer des effets de vitesse dynamiques et créatifs en variant la fréquence d'images du capteur. Si vous choisissez une fréquence d'images de capteur plus élevée que celle de votre projet, cela créera un ralenti durant la lecture. Par exemple, si la fréquence d'images du capteur est de 60 im/s et que vous réglez la lecture du projet à 24 im/s, cela créera un ralenti de 40% par rapport à la vitesse de l'action réelle. En revanche, plus la fréquence d'images du capteur est basse, plus la vitesse de lecture de vos clips augmentera. Il s'agit des principes d'overcranking (création d'un effet de ralenti) et d'undercranking (création d'un effet d'accélééré). L'overcranking accélère la fréquence d'images du capteur, un procédé qui permet par exemple de souligner un moment particulièrement émouvant. L'undercranking ralentit la fréquence d'images du capteur et permet notamment d'intensifier la vitesse des scènes d'action. Vous disposez désormais d'un nombre illimité de possibilités !

Pour obtenir plus d'informations sur les fréquences d'images maximales disponibles avec chaque format d'enregistrement et avec chaque codec, consultez les tableaux dans la section « Enregistrement » de ce manuel.

REMARQUE Lorsque l'option **Fréq. images off speed** est sélectionnée, l'audio et la vidéo ne sont plus synchronisés. Cela est vrai, même si les fréquences d'images du projet et du capteur sont identiques. Nous vous recommandons de ne jamais sélectionner **Fréq. images off speed** si vous souhaitez synchroniser l'audio et la vidéo.

Obturateur

L'indicateur **Obtur.** affiche l'angle ou la vitesse d'obturation. Cet indicateur vous permet de changer manuellement les valeurs d'obturation de la caméra ou de configurer les règles de priorité des modes de l'exposition automatique. Vous pouvez choisir d'afficher l'angle ou la vitesse d'obturation depuis le paramètre **Mesure obturation** de l'onglet **Réglages**. Pour plus d'informations, consultez la section « Onglet Réglages » de ce manuel.



Touchez l'indicateur **Obtur.** pour accéder aux réglages de l'obturateur.

L'angle d'obturation ou la vitesse d'obturation définissent le niveau de flou de bougé de votre vidéo. Ils peuvent être utilisés pour compenser les conditions d'éclairage variables. 180 degrés est l'angle d'obturation optimal pour capturer un flou de bougé satisfaisant dans la plupart des conditions. En termes de vitesse d'obturation, son équivalent est 1/50 de seconde. Cependant, si les conditions d'éclairage changent ou si la quantité de mouvement dans vos scènes augmente, vous pouvez modifier ces paramètres pour refléter ces changements.

Par exemple, un angle à 360 degrés est un angle grand ouvert qui permet de faire entrer un maximum de lumière dans le capteur. Cela permet de capturer des mouvements presque imperceptibles même en conditions de faible éclairage. Par contre, si vous filmez des sujets en mouvement, une faible ouverture de l'angle (par exemple 90 degrés) diminuera considérablement le flou de bougé et capturera ainsi des images d'une grande netteté. Les équivalences en termes de vitesse et d'angle d'obturation dépendent de la fréquence d'images que vous utilisez.

Par exemple, si vous filmez à 25 images par seconde, 360 degrés équivaldront à 1/25 de seconde, et 90 degrés à 1/100 de seconde.

REMARQUE Lorsque vous filmez sous un éclairage artificiel, l'obturation choisie peut provoquer des scintillements. La Blackmagic Pocket Cinema Camera calcule automatiquement une valeur d'obturation sans scintillement en fonction de la fréquence d'images. Lorsque vous ajustez l'obturation, jusqu'à trois options d'obturation sans scintillement vous seront suggérées en bas de l'écran tactile. Ces valeurs d'obturation sont affectées par la fréquence du courant de votre région du monde. Vous pouvez régler la fréquence du courant sur 50Hz ou 60Hz dans le menu **Réglages** de la caméra. Pour plus d'informations, consultez la section « Onglet Réglages » de ce manuel.

Touchez l'indicateur **Obtur.** pour afficher les valeurs d'obturation en bas de l'écran tactile. Si le bouton **Exposition auto** est désactivé, l'écran affiche la valeur d'obturation actuellement sélectionnée ainsi que les valeurs d'obturation sans scintillement disponibles. Ce réglage se fera en fonction de la fréquence du courant sélectionnée dans le menu **Réglages** de la caméra. Pour plus d'informations, consultez la section « Onglet Réglages » de ce manuel.

REMARQUE Les caractéristiques de certaines sources lumineuses peuvent provoquer des scintillements même lorsque vous utilisez des valeurs sans scintillement. Lorsque vous n'utilisez pas de lumière continue, nous vous recommandons de toujours effectuer un test avant de commencer le tournage.

Pour sélectionner des valeurs d'obturation sans scintillement, touchez une des valeurs d'obturation affichées. En appuyant sur les flèches situées de chaque côté de la valeur sélectionnée, vous pourrez naviguer entre les valeurs les plus utilisées.



La caméra suggère des valeurs d'obturation sans scintillement en fonction de la fréquence du courant sélectionnée dans le menu Réglages.

Si vous tournez en extérieur ou si vous utilisez des lumières sans scintillement, vous pouvez également sélectionner une valeur d'obturation en touchant deux fois l'indicateur de l'obturateur situé en bas de l'écran. Une fois l'angle d'obturation sélectionné, le clavier qui permettra de le régler entre 5 et 360 degrés apparaîtra.



Utilisez le clavier pour saisir l'angle d'obturation de votre choix lorsque vous tournez en extérieur ou sous des lumières sans scintillement

La Blackmagic Pocket Cinema Camera dispose de trois modes d'exposition automatique qui modifient l'obturateur. Pour sélectionner un de ces obturateurs, touchez le bouton **Exposition auto** à droite dans le menu de l'obturateur.

Obturateur

Ce paramètre règle automatiquement la valeur d'obturation pour offrir une exposition et une ouverture de l'iris consistantes. Choisissez ce paramètre si vous souhaitez maintenir une profondeur de champ stable. Veuillez noter que les réglages automatiques de l'obturateur peuvent affecter le flou de bougé. Nous vous recommandons de vérifier si des scintillements ont été introduits à cause des différents éclairages installés pour les tournages en studio. La fonction de réglage automatique de l'iris n'est pas disponible quand le mode d'exposition automatique est activé.

Obtur. + Iris

Maintient le bon niveau d'exposition en modifiant l'obturation, puis l'ouverture. Lorsque la valeur d'obturation maximale ou minimale a été atteinte et qu'il n'est toujours pas possible de maintenir la même exposition, la caméra ajuste l'ouverture pour que l'exposition reste stable.

Iris + Obtur.

Maintient le bon niveau d'exposition en modifiant l'ouverture, puis l'obturation. Lorsque l'ouverture maximale ou minimale a été atteinte et qu'il n'est toujours pas possible de maintenir la même exposition, la caméra ajuste la valeur d'obturation pour que l'exposition reste stable.

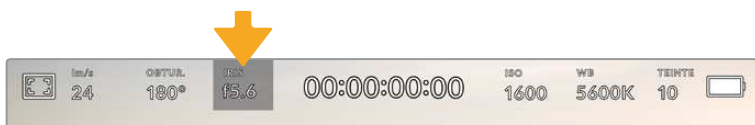


Dans le menu de l'obturateur, touchez **Exposition auto** pour accéder aux modes d'exposition automatique qui modifient l'obturateur.

CONSEIL Lorsque le mode **Exposition auto** qui modifie l'obturateur ou l'iris est activé, la lettre **A** apparaît à côté de l'indicateur d'obturation ou de l'iris en haut de l'écran tactile.

Iris

L'indicateur **Iris** affiche l'ouverture de l'objectif sélectionnée. En touchant cette icône, vous pouvez changer l'ouverture des objectifs compatibles et régler les modes d'exposition automatique qui modifient l'iris.



Touchez l'indicateur de l'iris pour accéder aux paramètres de l'iris.

REMARQUE Pour utiliser le contrôle de l'iris sur l'écran tactile, la Blackmagic Pocket Cinema Camera doit être équipée d'un objectif qui prend en charge le changement d'ouverture via la caméra.

Touchez l'indicateur **Iris** pour afficher le menu de l'iris en bas de l'écran tactile. L'ouverture de l'objectif choisie apparaît à gauche de l'écran. Vous pouvez changer l'ouverture en touchant les flèches gauche et droite situées autour de l'indicateur, ou déplacer le curseur vers la gauche ou la droite.



Dans le menu Iris, touchez les flèches situées autour de l'indicateur de l'iris ou utilisez le curseur pour régler ce paramètre.

Touchez le bouton **Exposition auto** situé à droite du menu pour ouvrir le menu d'exposition automatique de l'iris.

Cela vous offre les options d'exposition automatique suivantes :

Iris

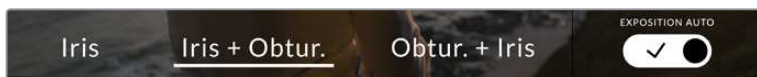
Ce paramètre règle automatiquement l'ouverture pour offrir une exposition et une valeur d'obturation consistantes. Cela permet de maintenir le flou de bougé fixe, mais peut affecter la profondeur de champ.

Iris + Obtur.

Maintient le bon niveau d'exposition en modifiant l'ouverture, puis l'obturation. Lorsque l'ouverture maximale ou minimale a été atteinte et qu'il n'est toujours pas possible de maintenir la même exposition, la caméra ajuste la valeur d'obturation pour que l'exposition reste stable.

Obtur. + Iris

Maintient le bon niveau d'exposition en modifiant l'obturation, puis l'ouverture. Lorsque la valeur d'obturation maximale ou minimale a été atteinte et qu'il n'est toujours pas possible de maintenir la même exposition, la caméra ajuste l'ouverture pour que l'exposition reste stable.



Dans le menu Iris, touchez **Exposition auto** pour ouvrir les modes d'exposition automatique qui modifient l'iris

CONSEIL Lorsque le mode **Exposition auto** qui modifie l'iris ou l'obturateur est activé, la lettre **A** apparaît à côté de l'indicateur de l'iris ou d'obturation en haut de l'écran tactile.

Affichage de la durée

L'affichage de la durée se trouve en haut de l'écran tactile de la caméra.



L'affichage de la durée devient rouge lorsque vous enregistrez.

Cet affichage fournit le timecode relatif à la durée des clips lors de l'enregistrement et de la lecture. Le timecode est exprimé en Heures:Minutes:Secondes:Images et augmente au fur et à mesure de l'enregistrement ou de la lecture. Il s'allume en rouge pendant l'enregistrement.

L'affichage de la durée débute à 00:00:00:00. La durée du clip en cours d'enregistrement, ou ayant été enregistré précédemment, est affichée sur l'écran tactile. Pour faciliter le travail en post-production, le timecode sous forme de code horaire est intégré aux clips.

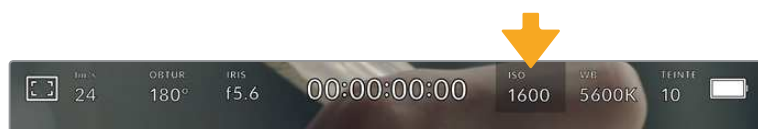
Pour voir le timecode, touchez simplement l'affichage de la durée. Touchez de nouveau cet affichage pour afficher la durée du clip.

Les indicateurs d'état suivant peuvent apparaître à côté de l'affichage de la durée :

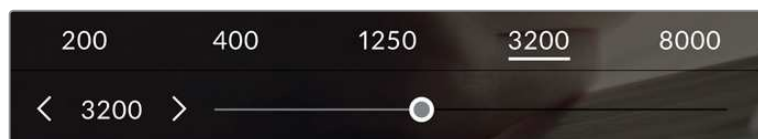
W	Apparaît à gauche de l'affichage de la durée lorsque la Blackmagic Pocket Cinema Camera utilise le mode Window.
TC	Apparaît à droite de l'affichage de la durée lorsque le timecode s'affiche.
EXT	Apparaît à droite de l'affichage de la durée si un timecode externe LTC valable est connecté à l'entrée stéréo 3,5mm.
INT	Apparaît à droite de l'affichage de la durée si la caméra repose sur le timecode interne « jam synced », puis qu'elle a été déconnectée.

ISO

L'indicateur **ISO** affiche le paramètre ISO (sensibilité de la lumière) réglé sur la caméra. Toucher l'indicateur vous permet de régler l'ISO pour répondre aux besoins de différentes conditions d'éclairage.



Touchez l'indicateur ISO pour accéder aux paramètres de l'ISO.



Dans le menu ISO de la caméra, ces paramètres apparaissent en bas de l'écran tactile. Le curseur permet d'incrémenter l'ISO d'1/3 de diaph.

Toutefois, en fonction de la situation, vous pouvez choisir une sensibilité ISO plus ou moins élevée. Par exemple, en conditions de faible éclairage, un ISO à 25 600 peut s'avérer nécessaire mais pourra introduire du bruit. Dans des conditions d'éclairage élevé, régler l'ISO à 100 permet de capturer la richesse des couleurs.

Double ISO natif

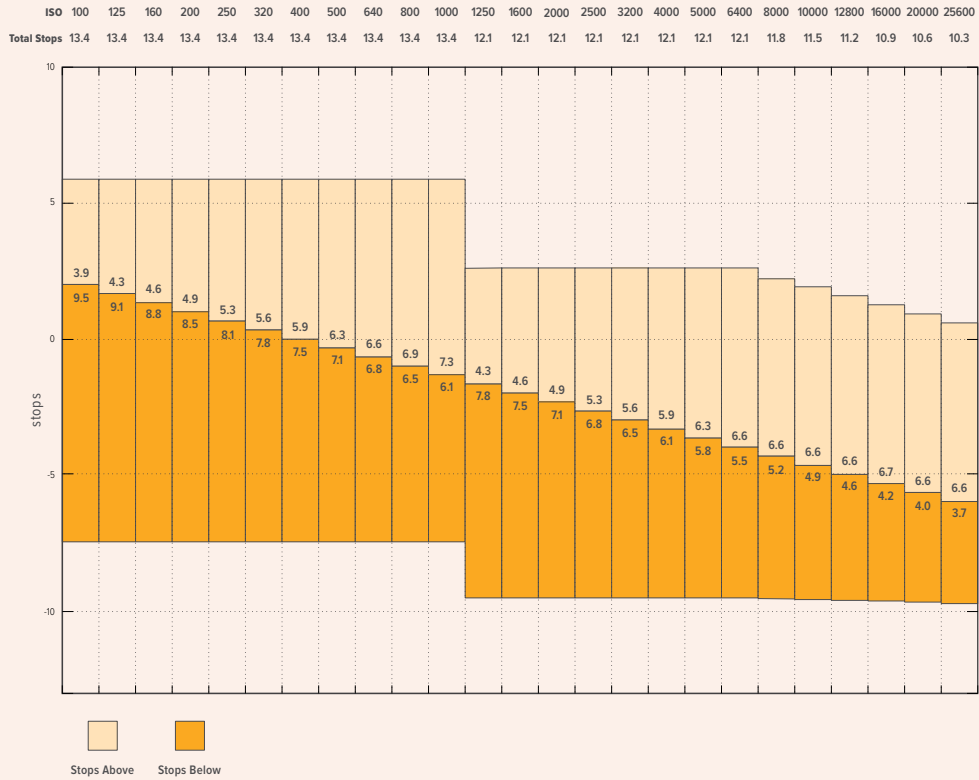
La Blackmagic Pocket Cinema Camera possède deux ISO natifs, un de 400 et un de 3 200. Le capteur est ainsi optimisé aussi bien pour des conditions de faible éclairage, qu'en plein soleil.

Lorsque vous ajustez l'ISO, les ISO natifs vont opérer en fond pour s'assurer que la séquence est propre et qu'elle comporte le moins de bruit possible, que ce soit en condition d'éclairage faible ou élevé.

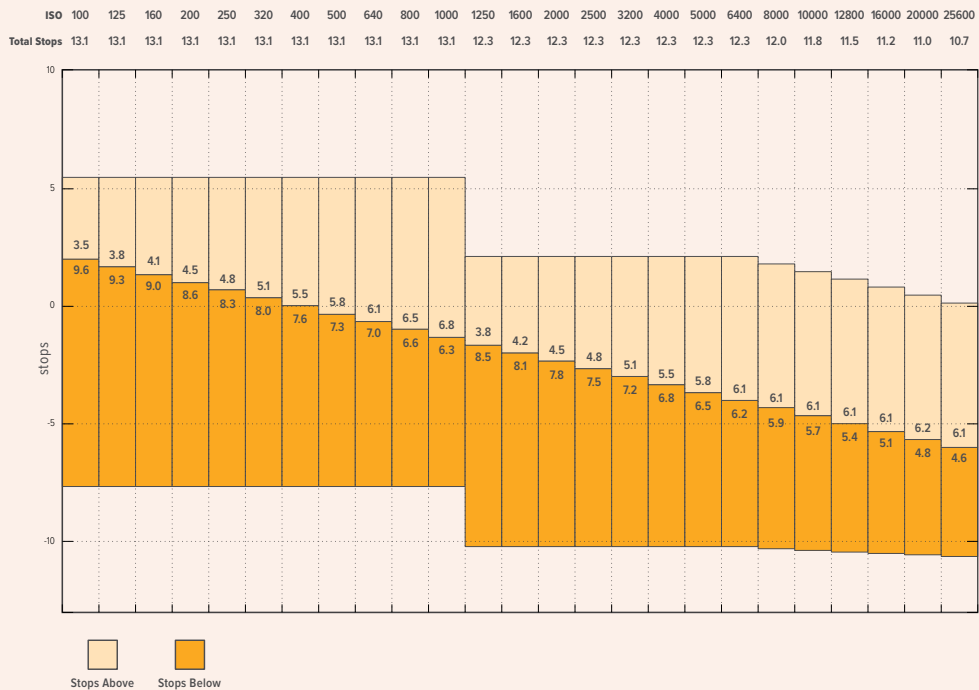
Si vous réglez l'ISO entre 100 et 1 000, l'ISO natif de 400 sera utilisé en tant que point de référence. Lorsque l'ISO est réglé entre 1 250 et 25 600, l'ISO natif de 3 200 sera utilisé comme référence. Si vous avez le choix de filmer avec un ISO à 1000 ou à 1 250, nous vous conseillons de réduire vos réglages d'un diaphragme sur l'iris de l'objectif pour pouvoir sélectionner un ISO à 1 250. Ainsi, c'est l'ISO natif le plus élevé qui sera utilisé comme référence, et vous obtiendrez un résultat plus propre.

Les graphiques ci-dessous montrent la relation entre l'ISO sélectionné et la plage dynamique allouée.

Plage dynamique de la Blackmagic Pocket Cinema Camera 6K

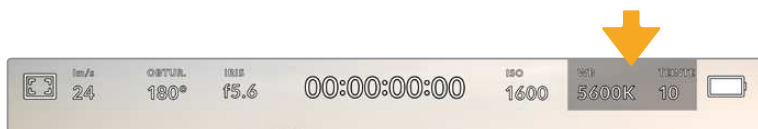


Plage dynamique de la Blackmagic Pocket Cinema Camera 4K



Balance des blancs






Les indicateurs **WB** et **Teinte** affichent la balance des blancs et la teinte de la caméra. Touchez ces indicateurs pour régler la balance des blancs et la teinte de la caméra afin de les faire correspondre à différentes conditions d'éclairage.



Touchez les indicateurs **WB** et **Teinte** pour accéder aux paramètres de la balance des blancs et de la teinte

Chaque source lumineuse diffuse une couleur différente. Par exemple, une bougie diffuse une couleur chaude, alors qu'un ciel nuageux diffuse une couleur froide. Le paramètre de balance des blancs permet d'équilibrer les couleurs de votre image afin que le blanc reste bien blanc. Ce réglage s'effectue à l'aide du mélange des oranges et des bleus dans l'image. Par exemple, lorsque vous filmez sous une lumière tungstène qui diffuse une lumière chaude, régler la balance des blancs sur 3200K ajoutera du bleu à votre image. Cela permet d'équilibrer la couleur pour que le blanc soit correctement capturé.

La balance des blancs de la Blackmagic Pocket Cinema Camera est pré-réglée, de manière à s'adapter parfaitement aux différentes températures de couleurs. Les températures de couleurs sont les suivantes :

	Plein soleil	(5600K)
	Lumière halogène	(3200K)
	Lumière fluorescente	(4000K)
	Lumière variée	(4500K)
	Nuageux	(6500K)

Vous pouvez modifier ces pré-réglages en touchant ou en maintenant enfoncées les flèches gauche et droite situées autour de l'indicateur de température en bas à gauche du menu de balance des blancs. La température de couleur augmente ou diminue par unité de 50K. Si vous maintenez ces flèches enfoncées, le changement d'unité est beaucoup plus rapide. Vous pouvez également déplacer le curseur qui se trouve dans le menu de balance des blancs.

Pour régler votre image de façon plus précise, vous pouvez également régler le paramètre **Teinte**. Ceci permet de régler le niveau de vert et de magenta dans l'image. Vous pouvez par exemple ajouter du magenta pour compenser le ton vert des lumières fluorescentes. La plupart des pré-réglages de balance des blancs de la caméra comprennent une teinte.



Toucher les indicateurs de balance des blancs et de teinte vous permet d'accéder aux cinq pré-réglages, au curseur de la balance des blancs et à l'indicateur de teinte. Vous pouvez régler ces icônes pour personnaliser la balance des blancs en fonction des conditions d'éclairage

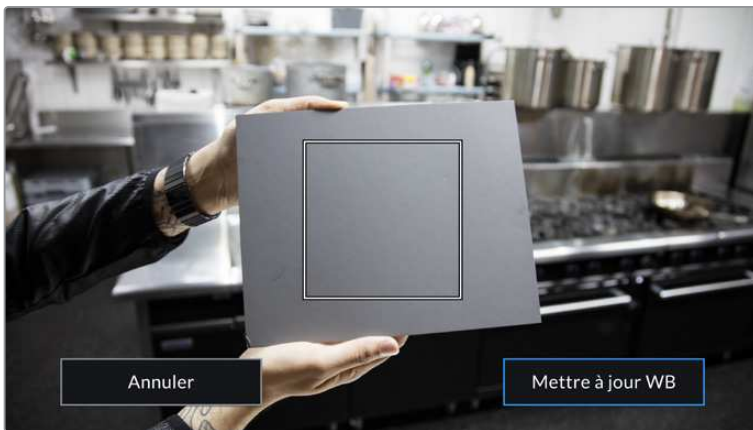
Dans le menu de balance des blancs, le paramètre de teinte de la caméra s'affiche en bas à droite de l'écran. Pour régler la teinte, touchez ou maintenez enfoncées les flèches gauche ou droite situées autour de cet indicateur. Elle augmente ou diminue par unité de 50K. Si vous maintenez ces flèches enfoncées, l'incrément est beaucoup plus rapide.

REMARQUE Si vous personnalisez la balance des blancs et la teinte, le nom du préréglage deviendra **CWB** (Custom White Balance). Les blancs personnalisés sont enregistrés malgré les charges et les changements de paramètres. Cela facilite la comparaison entre la balance des blancs personnalisée et les derniers réglages utilisés.

Balance des blancs automatique

La Blackmagic Pocket Cinema Camera peut régler la balance des blancs automatiquement. Toucher **AWB** affiche l'écran de la balance des blancs.

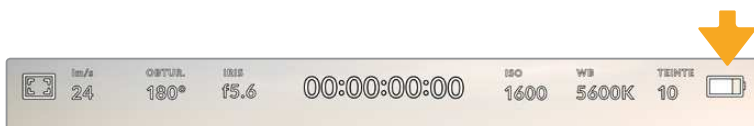
Lorsque la balance des blancs est réglée automatiquement, un carré s'affiche au centre de l'image. Positionnez une feuille blanche ou grise devant ce carré et appuyez sur **Mettre à jour WB**. La caméra règle alors automatiquement les valeurs de la balance des blancs et de la teinte pour capturer une valeur moyenne des blancs ou des gris et ainsi garantir une balance des blancs aussi neutre que possible. Une fois mis à jour, ce paramètre sera enregistré comme balance des blancs personnalisée. Vous pouvez également activer la fonction de balance des blancs automatique en appuyant pendant 3 secondes sur le bouton **WB** situé sur la face supérieure de la caméra.



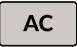

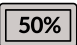
Toucher **AWB** dans le menu de la balance des blancs affiche l'écran de balance des blancs automatique. Utilisez une feuille blanche ou grise pour régler automatiquement une balance des blancs neutre.


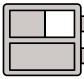
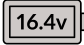
Alimentation

L'état et le type d'alimentation de la caméra sont affichés en haut à droite de l'écran LCD.



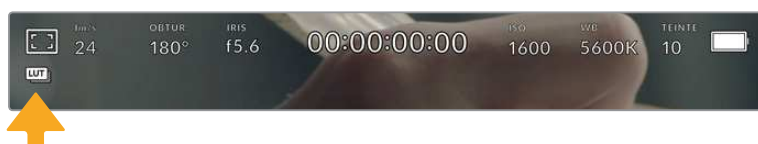
Lorsque vous alimentez la caméra avec la batterie, vous pouvez changer l'affichage de l'indicateur en touchant l'icône.

	AC	Apparaît lorsque la caméra est branchée sur secteur.
	AC / Chargement	S'affiche lorsque la caméra est branchée à l'alimentation principale et qu'elle recharge en même temps la batterie LP-E6 ou les batteries NP-F570 (si vous utilisez la Blackmagic Pocket Cinema Battery Grip).
	Pourcentage	Si votre batterie prend en charge l'affichage en pourcentage, l'icône de la batterie affichera l'état en pourcentage en diminuant par palier de 1%. Lorsqu'il ne reste que 20%, l'icône s'allume en rouge. Pour activer ou désactiver l'affichage en pourcentage, touchez l'icône de la batterie.

	Barres de batterie	L'icône de la batterie incluse avec la caméra diminue par palier de 25%. Lorsqu'il ne reste que 20%, l'icône s'allume en rouge.
	Barres des batteries de la poignée	Si votre caméra est équipée d'une poignée Blackmagic Pocket Camera Battery Grip, les deux icônes de batteries vous permettent de contrôler l'état de chaque batterie indépendamment.
	Voltage de la source d'alimentation	Affiche le voltage fourni par la batterie, ou via le jack de l'alimentation DC depuis un adaptateur, un câble adaptateur D-tap ou une solution d'alimentation personnalisée. Pour activer ou désactiver l'affichage du voltage, touchez l'icône de la batterie.

Indicateur de LUT

Lorsque vous utilisez une LUT en tant qu'outil de prévisualisation, une icône LUT s'affiche en haut à gauche de l'écran pour indiquer que la LUT est active.



Histogramme

L'histogramme est situé en bas à gauche de l'écran tactile. L'histogramme affiche la distribution des noirs et des blancs sur un axe horizontal.



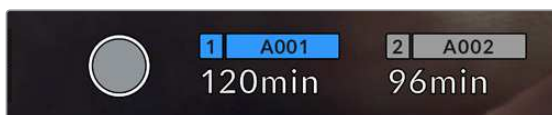
L'histogramme indique la plage tonale de votre clip. Il est également pratique pour vérifier l'exposition et éviter que les hautes lumières soient écrêtées.

Le côté gauche de l'histogramme représente les pixels sombres, ou les tons foncés, et le côté droit représente les pixels clairs, ou les blancs. Lorsque vous ouvrez ou fermez l'ouverture de l'objectif, la distribution des informations sur l'histogramme change en conséquence vers la gauche ou vers la droite. Vous pourrez ainsi vérifier si les hautes ou les basses lumières de votre image sont écrêtées ou écrasées. Si les valeurs de l'histogramme ne diminuent pas progressivement sur les côtés gauche et droit, il se peut que vous perdiez des détails dans les hautes ou les basses lumières.

REMARQUE Si aucun histogramme n'apparaît en bas à gauche de votre écran tactile, le paramètre **Affichage** de l'onglet **Moniteur** est peut-être réglé sur **Codec et résolution**. Pour plus d'informations, consultez la section « Onglet Moniteur » de ce manuel.

Bouton d'enregistrement

À côté de l'histogramme, en bas de l'écran tactile de la Pocket Cinema Camera, vous trouverez un bouton rond de couleur grise. C'est le bouton d'enregistrement. Appuyez une fois sur ce bouton pour commencer l'enregistrement, et appuyez à nouveau pour l'arrêter. Lorsque l'enregistrement est en cours, le bouton, les indicateurs des supports et le timecode en haut de l'écran tactile deviennent rouges.



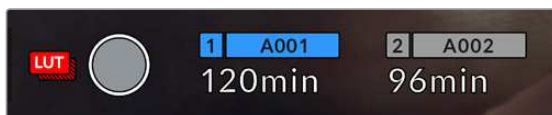
Le bouton d'enregistrement situé à côté des indicateurs des supports, au bas de l'écran tactile.



Le bouton d'enregistrement devient rouge lorsque la caméra enregistre.

LUT appliquée à un clip

Si vous avez choisi d'appliquer une LUT à vos clips dans l'onglet **Enregistrer**, l'icône LUT apparaîtra sur l'écran en mode veille et lorsque vous enregistrez.



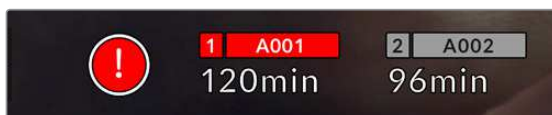
L'icône LUT vous informe que les clips seront enregistrés avec la LUT sélectionnée.



L'icône LUT s'affiche lorsque la LUT sélectionnée est enregistrée avec le clip.

Indicateur de perte d'image

Lorsqu'une perte d'image se produit durant l'enregistrement, un point d'exclamation clignotant s'affiche sur le bouton d'enregistrement de la caméra. L'indicateur de temps restant de la carte affectée devient également rouge. Par exemple, si la carte CFast subit une perte d'image, le point d'exclamation apparaîtra sur le bouton d'enregistrement, et l'indicateur de temps restant de la carte deviendra rouge. Cela vous permet de savoir si une carte est trop lente pour le codec et la résolution sélectionnés. L'indicateur de perte d'image s'affiche également lorsqu'il y a eu une perte d'image sur le clip enregistré précédemment. L'indicateur restera ainsi jusqu'à ce qu'un autre clip ait été enregistré, ou que la caméra ait été redémarrée. Consultez les sections « Choisir une carte CFast 2.0 » et « Choisir une carte SD » pour comprendre comment éviter les pertes d'images.

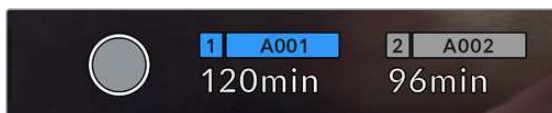


L'indicateur indique une perte d'image sur la carte CFast.

REMARQUE Vous pouvez régler la Blackmagic Pocket Cinema Camera pour qu'elle interrompe l'enregistrement en cas de perte d'images afin d'éviter de continuer d'enregistrer une séquence inutilisable. Pour plus d'informations, consultez la section « Onglet Enregistrer » de ce manuel.

Temps d'enregistrement restant

Lorsqu'une carte CFast ou SD est insérée, ou qu'un disque flash USB-C est connecté à votre caméra, les indicateurs situés au bas de l'écran affichent le temps d'enregistrement restant sur la carte ou le disque flash USB-C. Le temps est affiché en minutes et peut varier selon la fréquence d'images et le codec sélectionnés. L'indicateur calcule automatiquement le temps restant en fonction de ces paramètres. Lorsqu'il reste approximativement 5 minutes d'enregistrement sur la carte ou le lecteur, l'indicateur devient rouge, puis il se met à clignoter lorsqu'il ne reste plus que 2 minutes. L'indicateur affiche **Pleine** lorsqu'une carte est pleine, ou **Plein** lorsqu'un disque est plein.



L'indicateur des supports affiche le nom de la carte SD, CFast ou du disque flash USB-C ainsi que le temps d'enregistrement restant en minutes.

Le nom de la carte ou du disque s'affiche également dans la petite barre située au-dessus du temps restant. La barre devient bleue lorsque la caméra est réglée pour enregistrer sur la carte ou le disque flash USB-C sélectionné. Pour enregistrer sur un support différent, restez appuyé sur le nom de la carte ou du disque flash USB-C de votre choix. La barre devient rouge lorsque la caméra enregistre.

Lorsque vous touchez les indicateurs des supports de stockage, le menu de stockage et de formatage s'affiche.



Touchez les indicateurs des supports sur l'écran tactile pour accéder au gestionnaire de stockage.

Ce menu affiche l'espace libre de chaque carte CFast, SD ou du disque flash USB-C inséré dans la caméra, ainsi que le nom de la carte ou du disque, la durée du clip précédent, le nombre total de clips et le format de fichier de chaque carte ou disque.

Vous pouvez également formater votre support à partir de ce menu. Pour plus d'informations, veuillez consulter la section « Préparer les supports pour l'enregistrement » de ce manuel.

CONSEIL Touchez le nom de la carte ou du disque dans le menu des supports de stockage pour l'activer. La Blackmagic Pocket Cinema Camera commencera par enregistrer sur cette carte ou ce disque.

Indicateurs audio

Les indicateurs de crête audio affichent les niveaux audio pour les canaux 1 et 2 lors de l'utilisation du micro interne ou via l'audio externe lorsqu'une source y est connectée. L'affichage est calibré en unités dBFS et intègre des indicateurs de crête qui restent visibles un petit moment, ce qui vous permet de visualiser clairement les niveaux maximaux atteints.

Pour obtenir une qualité audio optimale, vérifiez que vos niveaux audio ne dépassent pas 0 dBFS. Il s'agit en effet du niveau maximal auquel la caméra peut enregistrer. L'audio qui dépasse ce niveau sera écrêté et distordu.



Les barres de couleur sur l'indicateur audio représentent les niveaux audio maximaux. Idéalement, les niveaux audio doivent rester dans la zone verte. Si le niveau entre dans la zone jaune ou rouge, il se peut que le son que vous venez de capturer soit écrêté.

Vous pouvez toucher les indicateurs audio pour augmenter le volume des canaux audio 1 et 2, ainsi que celui du casque ou du haut-parleur.



Touchez les indicateurs audio sur l'écran tactile pour accéder au volume et aux paramètres du casque ou du haut-parleur.

Double-toucher pour zoomer

Sur la Blackmagic Pocket Cinema Camera, vous pouvez agrandir n'importe quelle zone de l'aperçu de l'image en touchant deux fois l'écran tactile. La zone que vous touchez sera agrandie et vous pourrez vous déplacer dans l'image en faisant glisser votre doigt sur l'écran. C'est une fonction très pratique pour vérifier la mise au point. Pour revenir à l'image en plein écran, il suffit de retoucher deux fois l'écran tactile de la caméra.

Zoomer en pinçant

Vous pouvez ajuster le niveau de zoom en effectuant un geste de pincement sur l'écran tactile LCD. Cela n'affectera pas la sortie HDMI.

Commencez par toucher l'écran deux fois pour effectuer un zoom x2, ou appuyez sur le bouton de Mise au point à l'aide du zoom. Puis, faites un geste de pincement sur l'écran tactile pour changer le niveau de zoom. Vous pouvez également faire glisser vos doigts sur l'écran pour vous déplacer dans l'image grossie. Pour retourner à l'affichage standard, double-touchez une nouvelle fois l'écran, ou appuyez sur le bouton de Mise au point à l'aide du zoom.

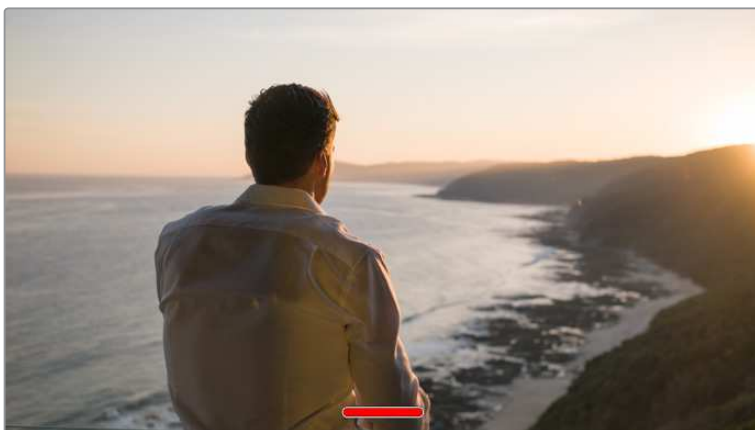
Lorsque vous double-touchez l'écran ou que vous appuyez sur le bouton de Mise au point à l'aide du zoom, le niveau de zoom bascule entre le niveau de grossissement précédant et l'affichage complet. Par exemple, si vous zoomez en pinçant jusqu'à un grossissement x8 et que vous double-touchez l'écran, l'image sera dézoomée. Puis, si vous double-touchez l'écran une deuxième fois, l'affichage reviendra à l'agrandissement x8.

Mise au point tactile

Vous pouvez effectuer la mise au point de l'objectif sur n'importe quelle zone de l'image en touchant longuement cette zone sur l'écran LCD. Appuyez sur le bouton de mise au point pour effectuer la mise au point sur la zone de votre choix. Appuyez deux fois sur le bouton de mise au point pour la réinitialiser sur le centre de l'image.

Mode plein écran

Il est parfois utile lors du cadrage ou de la mise au point d'un plan, de masquer temporairement les informations d'état et les indicateurs audio affichés à l'écran. Pour masquer toutes ces informations d'un coup, balayez l'écran tactile vers le haut ou vers le bas. L'indicateur d'enregistrement, les repères de cadrage, la grille de composition, l'aide à la mise au point et le zébra resteront visibles. Pour les faire réapparaître, balayez une nouvelle fois l'écran vers le haut ou vers le bas.



Balayez l'écran tactile vers le haut ou vers le bas pour masquer les informations d'état.

Menu de lecture

Appuyez sur le bouton de lecture pour accéder au menu de lecture. Vous pouvez contrôler des clips enregistrés précédemment à l'aide des boutons de contrôle de la caméra ou de l'écran tactile.

Lorsque vous utilisez l'écran tactile, il suffit de toucher le bouton de lecture pour commencer la lecture, et de le toucher une deuxième fois pour la suspendre. Vous pouvez vous servir des touches avant ou arrière pour passer directement au début ou à la fin des clips. Appuyez une fois sur l'icône d'avance rapide pour passer au clip suivant. Appuyez une fois sur l'icône de retour rapide pour retourner au début du clip en cours ou appuyez deux fois pour revenir au début du clip précédent. Les clips peuvent également être lus en boucle si l'icône de lecture en boucle est activée.



Icône de retour rapide, de lecture, d'avance rapide et de lecture en boucle.

Pour une avance ou un retour rapides, maintenez le bouton correspondant enfoncé. Ainsi, la séquence sera lue à une vitesse deux fois plus élevée, vers l'avant ou vers l'arrière, selon le bouton sélectionné.

Vous pouvez modifier cette vitesse en touchant à nouveau les commandes de transport. À chaque fois que vous toucherez une commande de transport dans la même direction, vous doublerez la vitesse de défilement. La vitesse de défilement maximale est de x16. Si vous atteignez la vitesse maximale et que vous appuyez à nouveau sur la même commande de transport, vous reviendrez à la vitesse x2. À chaque fois que vous appuyez sur la commande de transport opposée, la vitesse de défilement diminue de moitié pour atteindre la vitesse x2. Vous pouvez revenir à une lecture standard en touchant le bouton de lecture.



L'indicateur de vitesse de défilement affiche la vitesse et la direction de l'avance ou du retour rapide de la séquence.

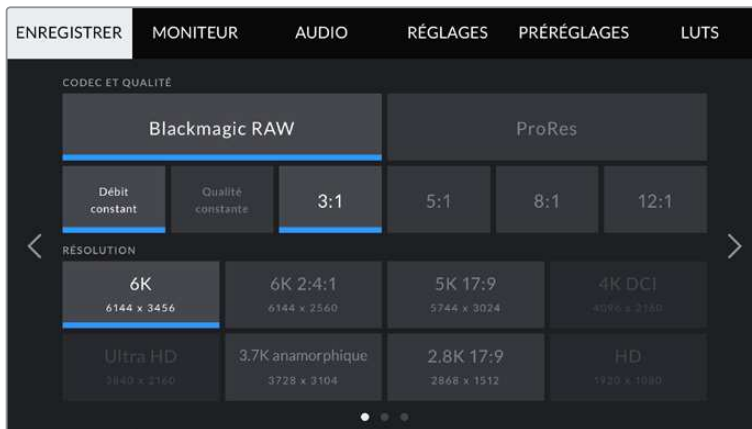
Si vous touchez le bouton d'enregistrement alors que vous êtes en mode de lecture, vous reviendrez en mode de veille et la caméra sera prête à enregistrer.

CONSEIL Balayez l'écran tactile vers le haut ou vers le bas pour masquer les informations d'état pendant la lecture des séquences. Ouvrir le clap pendant la lecture vous permet de noter dans les métadonnées la qualité du clip que vous êtes en train de lire. Pour plus d'informations, consultez la section « Saisie des métadonnées ».

Réglages

Menu de navigation

Appuyez sur le bouton du menu pour ouvrir le menu de navigation. Ce menu à onglets offre des paramètres qui ne sont pas disponibles depuis l'écran principal. Les paramètres sont regroupés par fonction au sein des onglets **Enregistrer**, **Moniteur**, **Audio**, **Réglages**, **Préréglages** et **LUTS**. Chaque onglet possède plusieurs pages. Vous pouvez passer d'une page à l'autre en touchant les flèches situées de part et d'autre de l'écran, ou en balayant l'écran vers la gauche ou vers la droite.



Touchez les intitulés Enregistrer, Moniteur, Audio, Réglages, Préréglages et LUTS pour vous déplacer entre les différents onglets du menu de navigation.

Onglet Enregistrer

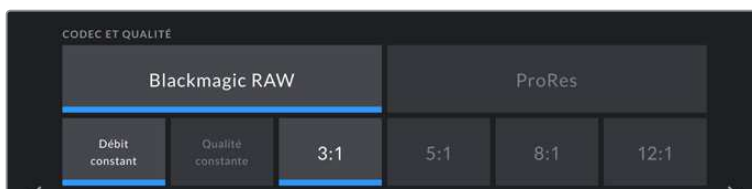
L'onglet **Enregistrer** permet de régler le format vidéo, le codec et la résolution, ainsi que d'autres paramètres qui affectent les séquences enregistrées, tels que la plage dynamique et la netteté de l'image.

Onglet Enregistrer – Page 1

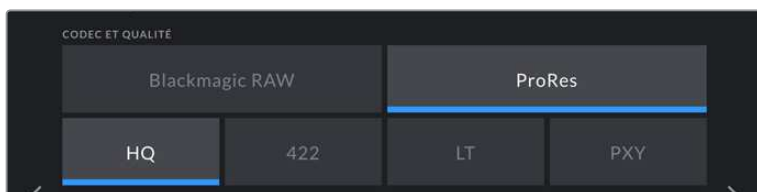
La première page de l'onglet **Enregistrer** contient les paramètres suivants.

Codec et qualité

Le menu **Codec et Qualité** est réparti sur deux rangées. La rangée supérieure permet de choisir entre deux familles de codec, Blackmagic RAW et Apple ProRes, tandis que la rangée inférieure offre des options de qualité au sein de ces familles. Par exemple, les options de qualité de la famille de codec ProRes sont ProRes 422 HQ, ProRes 422, ProRes 422 LT et ProRes 422 Proxy. Les options Blackmagic RAW sont divisées entre quatre paramètres de **Débit constant** et deux paramètres de **Qualité constante**.



Options de codec et de qualité avec le Blackmagic RAW

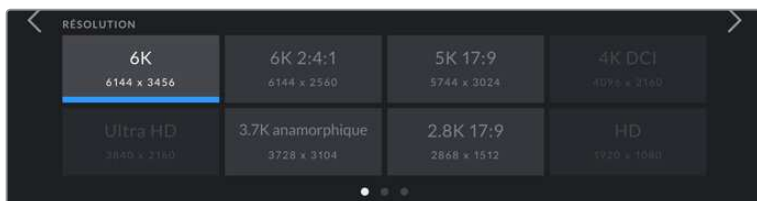


Options de codec et de qualité avec le ProRes

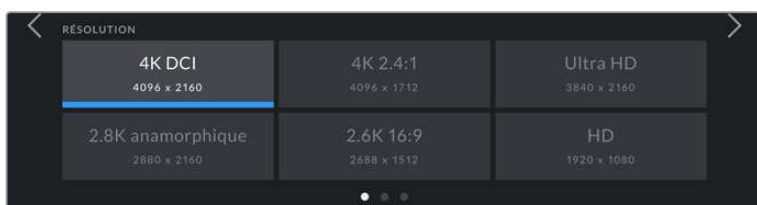
CONSEIL La quantité de vidéo que vous pouvez enregistrer sur le support de stockage de la Blackmagic Pocket Cinema Camera augmente lorsque vous choisissez des codecs qui utilisent une compression plus élevée. Pour obtenir de plus amples informations, consultez les « Tableaux des durées d'enregistrement » dans la section « Enregistrement » de ce manuel.

Résolution

Ce paramètre fonctionne en corrélation avec le paramètre des codecs. Utilisez-le pour sélectionner la résolution en fonction du format d'enregistrement. Par exemple, si vous souhaitez enregistrer des clips Ultra HD en ProRes HQ, sélectionnez **ProRes** et **HQ** dans le menu **Codec et Qualité**, puis **Ultra HD** dans le menu **Résolution**.



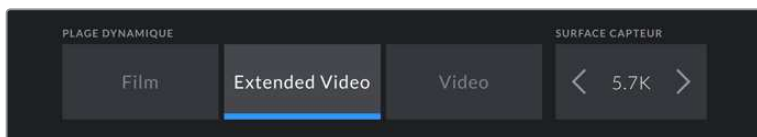
Options de résolution de la Pocket Cinema Camera 6K avec le codec Blackmagic RAW



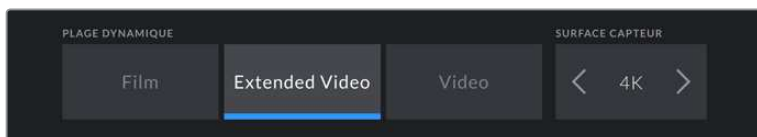
Options de résolution de la Pocket Cinema Camera 4K. En 4K DCI, la catégorie est Résolution, sinon elle sera Résolution - Capteur Window.

Onglet Enregistrer – Page 2

La deuxième page de l'onglet **Enregistrer** contient les options suivantes.



Options de plage dynamique et de surface du capteur de la Pocket Cinema Camera 6K



Options de plage dynamique et de surface du capteur de la Pocket Cinema Camera 4K

Plage dynamique

Ajustez le paramètre relatif à la plage dynamique en touchant les icônes du menu **Plage dynamique**. La Blackmagic Pocket Cinema Camera possède trois paramètres de plage dynamique :

Film	Le mode Film capture de la vidéo reposant sur une courbe logarithmique. Ce mode d'enregistrement vous offre la meilleure plage dynamique qui exploite au maximum les informations de votre signal vidéo pour vous aider à tirer le meilleur parti des logiciels d'étalonnage, tels que DaVinci Resolve.
Extended Video	Le réglage Extended video offre un bon équilibre entre les réglages Video et Film . Il offre une plage dynamique plus importante que le réglage Video , tout en appliquant un léger changement de contraste et un affaiblissement progressif dans les hautes lumières. Le réglage Extended video est adapté aux moniteurs broadcast standard. Il est très utile si vous avez peu de temps pour effectuer la post-production et que vous voulez donner à vos clips un aspect esthétique plus agréable.
Video	Le mode Video ressemble à l'espace colorimétrique REC 709 pour la vidéo haute définition. Cette plage dynamique vous permet de travailler plus rapidement en enregistrant directement sur des formats vidéo compressés dans un espace colorimétrique permettant une exportation directe ou un traitement minimal en post.

REMARQUE Lorsque vous enregistrez en Blackmagic RAW ou en ProRes avec la plage dynamique Film, l'image apparaît terne et désaturée sur l'écran tactile. En effet, les images contiennent énormément de données qui n'ont pas encore été étalonnées pour cet affichage. Toutefois, lorsque vous enregistrez en mode Film, vous pouvez effectuer le monitoring sur l'écran tactile et sur la sortie HDMI en utilisant une LUT (Look Up Table) conçue pour simuler un contraste standard. Pour plus d'informations, consultez la section « LUTs 3D » de ce manuel.

Surface du capteur

Vous pouvez régler la Blackmagic Pocket Cinema Camera pour utiliser la surface entière du capteur. Pour des fréquences d'images encore plus élevées, vous pouvez régler le paramètre **Surface capteur** sur **Window**. Ce mode utilise uniquement la quantité de pixels du capteur nécessaire pour le format vidéo sélectionné plutôt que de redimensionner les images en utilisant l'intégralité du capteur. Certains formats combinent le mode Window et redimensionné. Par exemple, la Pocket Cinema Camera 6K possède des formats HD redimensionnés depuis le capteur en mode Full, redimensionnés depuis le 5.7K Window et redimensionnés depuis le 2.7K Window.

Comme le mode **Capteur Window** n'utilise que le centre du capteur, le champ visuel de l'objectif semble plus étroit à cause du rognage. Par exemple, si vous utilisez un objectif de 20mm pour filmer des séquences HD en mode Window, le champ visuel de la Pocket Cinema Camera 4K équivaudra à celui d'un objectif de 40mm.

Ce paramètre est disponible lorsque vous filmez en dessous de la résolution maximale offerte par la caméra, comme en ProRes HD ou Ultra HD.

Les fréquences d'images les plus élevées de la Pocket Cinema Camera 6K sont disponibles lorsque vous filmez en 2.8K 17:9 Window et en HD redimensionné depuis le 2.7K Window. Les fréquences d'images les plus élevées de la Pocket Cinema Camera 4K sont disponibles lorsque vous filmez en 2.6K 16:9 et en HD Window.

Pour plus d'informations sur les formats Full et Window, veuillez consulter la section « Fréquences d'images maximales du capteur ».

Fréquence d'images du projet

Le paramètre **Freq. images du projet** propose une sélection de fréquences d'images couramment utilisées dans l'industrie du cinéma et de la télévision. Par exemple, 23.98 images par seconde. En général, on fait coïncider la fréquence d'images avec la vitesse de lecture et la synchronisation audio utilisées dans le workflow de post-production.

Huit fréquences d'images sont disponibles : 23.98, 24, 25, 29.97, 30, 50, 59.94 et 60 images par seconde.

Enregistrement Off Speed

Par défaut, les fréquences d'images du projet et du capteur correspondent pour que le clip soit lu en vitesse normale. Toutefois, vous pouvez régler la fréquence d'images du capteur indépendamment en désactivant le bouton du paramètre **Enregistrement off speed**.

Fréquence d'images off speed

Lorsque le paramètre **Enregistrement off speed** est activé, touchez les flèches du paramètre **Freq. images off speed** pour régler la fréquence d'images du capteur de la caméra.

La fréquence d'images du capteur vous permet de régler le nombre d'images par seconde que le capteur enregistre. La fréquence d'images détermine la vitesse de lecture de votre vidéo en fonction de la fréquence d'images de projet choisie.

Pour plus d'informations concernant les fréquences d'images off speed, consultez le paragraphe « Images par seconde » de la section « Caractéristiques de l'écran tactile » de ce manuel.

REMARQUE Pour obtenir plus d'informations sur les fréquences d'images maximales disponibles avec chaque format d'enregistrement et avec chaque codec, consultez les tableaux de la section « Fréquences d'images maximales du capteur ».

Carte préférée pour enregistrer

Utilisez ce paramètre pour sélectionner le support sur lequel la Blackmagic Pocket Cinema Camera va enregistrer en premier lorsque les deux logements sont utilisés. Les options sont **Carte CFast**, **Carte SD** et **La plus pleine**. Choisissez l'option **Carte CFast** ou **Carte SD** selon votre préférence. Toutefois, si vous prenez l'habitude d'utiliser toujours la même option, vous saurez alors rapidement quelle carte doit être changée en premier lorsque la première carte est pleine. L'option **La plus pleine** facilite le regroupement de fichiers de façon chronologique lorsque vous filmez un projet à l'aide d'une seule caméra.

Le paramètre sélectionné s'applique dès qu'une carte CFast ou SD est insérée. Vous pouvez modifier ce paramètre à tout moment dans le gestionnaire de stockage en sélectionnant une carte différente. Il est important de préciser que le fait d'éjecter et de réinsérer des cartes rétablira le paramètre **Carte préférée pour enregistrer** actuel.

CONSEIL Le paramètre **La plus pleine** est basé sur le pourcentage d'espace utilisé sur votre support plutôt que sur sa taille ou la quantité de données utilisées.

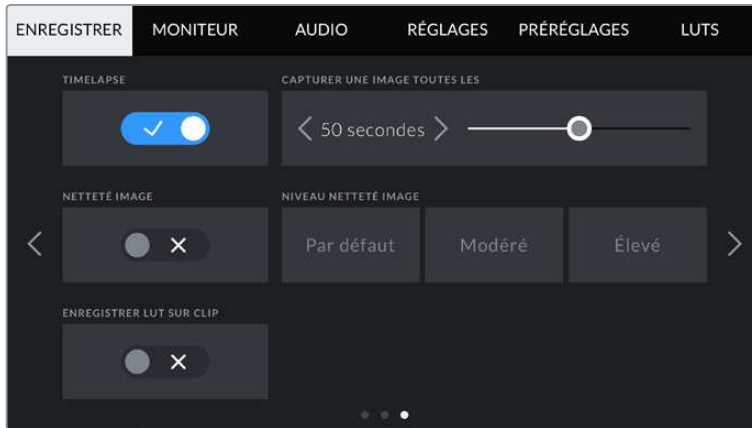
Stopper rec. si perte d'image

Utilisez le paramètre d'arrêt de l'enregistrement lors d'une perte d'images pour configurer la réponse de la Blackmagic Pocket Cinema Camera lorsqu'une perte d'images est détectée. Lorsque ce paramètre est désactivé, l'enregistrement continue même si une perte d'images est détectée. Lorsqu'il est activé, l'enregistrement s'arrête lorsqu'une perte d'images est détectée. Cela vous évitera de perdre du temps à filmer des séquences inutilisables si vous n'avez pas remarqué l'indicateur de perte d'images.

CONSEIL Consultez la section « Supports de stockage » pour comprendre comment éviter les pertes d'images.

Onglet Enregistrer – Page 3

La troisième page de l'onglet **Enregistrer** contient les paramètres suivants.



Timelapse

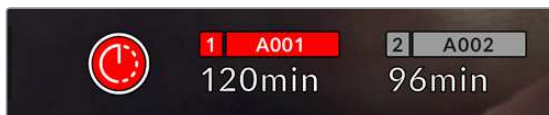
Ce paramètre active la fonction Timelapse qui permet l'enregistrement automatique d'une image fixe aux intervalles suivants :

Images	2 – 10
Secondes	1 – 10, 20, 30, 40, 50
Minutes	1 – 10

Vous pouvez par exemple régler la caméra pour qu'elle enregistre une image fixe toutes les 10 images, 5 secondes, 30 secondes, 5 minutes, etc.

La fonction Timelapse offre de nombreuses options créatives. Par exemple, lorsque vous réglez l'intervalle de temps sur 2 images, vous obtenez un effet d'accélééré lors de la lecture de votre vidéo.

Appuyez sur le bouton d'enregistrement pour démarrer l'enregistrement. Lorsque vous appuyez une seconde fois sur ce bouton pour arrêter l'enregistrement, la séquence en timelapse est sauvegardée comme un clip, avec le codec et la fréquence d'images réglés dans la caméra. Vous pouvez ainsi déposer la séquence en timelapse dans votre timeline de post-production de la même manière que n'importe quel clip.



Le mode timelapse est indiqué par une icône au-dessus du bouton d'enregistrement

CONSEIL Lorsque vous enregistrez des clips en mode Timelapse, le compteur du timecode se met à jour à chaque fois qu'une image vidéo est enregistrée.

Netteté image

Utilisez ce paramètre pour régler la netteté de l'image. Lorsque ce paramètre est activé, augmentez et diminuez le niveau de netteté dans **Niveau netteté image** en sélectionnant **Par défaut**, **Modéré** ou **Élevé**.

Lorsque ce paramètre est activé, il est appliqué sur les vidéos ProRes capturées par la caméra et sur la sortie HDMI.

Ce réglage est principalement destiné à la production en direct pour laquelle il est impossible de passer par la post-production. Nous vous recommandons de désactiver ce paramètre si vous capturez des images qui seront ensuite envoyées en post-production. Ce paramètre est désactivé lorsque le codec est réglé sur Blackmagic RAW.

Enregistrer LUT sur clip

Avec la Blackmagic Pocket Cinema Camera, vous ne pouvez pas appliquer ou intégrer de LUTs par défaut sur des clips enregistrés. Pour intégrer une LUT à vos clips, activez le bouton du paramètre **Enregistrer LUT sur clip**.

C'est une option pratique lorsque vous n'avez pas le temps d'effectuer l'étalonnage en post-production, ou quand vous devez fournir les images directement à un client ou au monteur. Pour plus d'informations, consultez les sections « LUTs 3D » et « Commandes de l'écran tactile ».

Appliquer LUT dans fichier

Lorsque vous filmez avec le codec Blackmagic RAW et que vous appliquez une LUT à la sortie HDMI de votre caméra, la LUT sélectionnée sera intégrée au fichier Blackmagic RAW que vous enregistrez. La LUT sera sauvegardée dans l'en-tête du fichier et vous pourrez facilement l'appliquer au clip en post-production, sans avoir à gérer un fichier séparé. Lorsque la fonction **Appliquer LUT dans fichier** est activée dans le menu, le clip s'ouvrira dans le Blackmagic RAW Player et dans DaVinci Resolve avec la LUT sélectionnée. Vous pouvez activer ou désactiver l'application de la LUT, mais elle sera toujours présente dans le fichier Blackmagic RAW.

DaVinci Resolve comprend également une fonction **Appliquer une LUT** dans ses paramètres, pour activer ou désactiver la LUT 3D dans le fichier Blackmagic RAW. La fonction **Appliquer une LUT** dans DaVinci Resolve est la même que dans la caméra. Ainsi, quand vous filmez, vous pouvez demander à l'étalonneur d'utiliser une LUT depuis la caméra. Mais vous pourrez facilement désactiver cette LUT dans DaVinci Resolve en réglant **Appliquer une LUT** sur **Off**.

Convention de dénomination des fichiers

Les clips sont enregistrés sur une carte CFast, SD ou sur un disque flash USB-C au format Blackmagic RAW ou ProRes QuickTime movie, en fonction du format d'enregistrement que vous avez choisi.

Le tableau ci-dessous présente un exemple de la convention de dénomination des fichiers :

A001_08151512_C001.mov	Nom du fichier QuickTime Movie
A001_08151512_C001.mov	Identifiant de la caméra
A 001 _08151512_C001.mov	Numéro de la bobine
A001_ 08 151512_C001.mov	Mois
A001_08 15 1512_C001.mov	Jour
A001_0815 15 12_C001.mov	Heure
A001_081515 12 _C001.mov	Minute
A001_08151512_ C001 .mov	Numéro de clip

Les fichiers d'images fixes capturées à l'aide du bouton Still sont enregistrés selon la convention de dénomination des fichiers relative aux clips vidéo. Toutefois, les quatre derniers caractères du nom

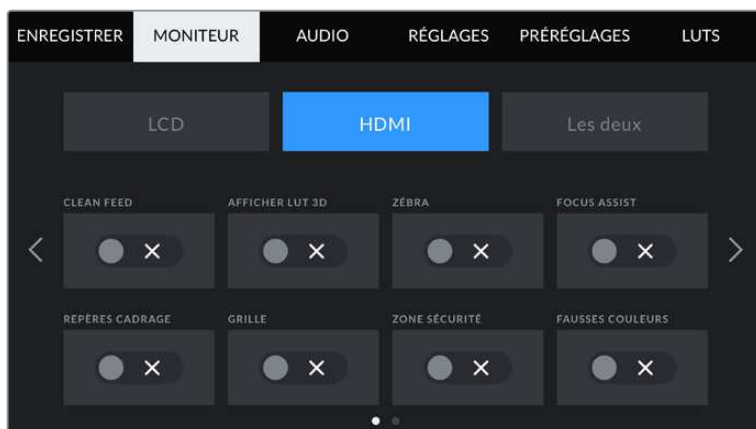
de fichier portent le numéro de l'image, par exemple **S001**, au lieu du numéro du clip. Pour comprendre comment modifier l'identifiant de la caméra, consultez la section « Métadonnées du projet ».

Onglet Moniteur

L'onglet **Moniteur** vous permet d'ajuster les informations à l'écran et d'autres options de monitoring pour l'écran tactile ainsi que pour la sortie HDMI de la Blackmagic Pocket Cinema Camera. Les options sont organisées par sortie entre **LCD**, **HDMI** ou bien **Les deux**, qui permet de sélectionner les deux sorties. Chaque menu possède deux pages d'options. Vous pouvez passer d'une page à l'autre en touchant les flèches situées de part et d'autre de l'écran, ou en balayant l'écran vers la gauche ou vers la droite.

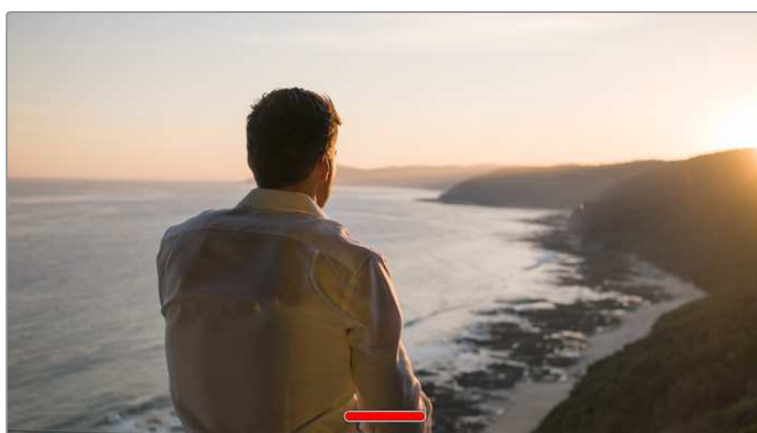
Onglet Moniteur – Page 1

La première page de l'onglet **Moniteur** contient des paramètres identiques pour chaque sortie. Par exemple, vous pouvez activer le zébra sur l'écran tactile, mais le désactiver sur la sortie HDMI.



Clean Feed

Touchez le bouton **Clean Feed** dans le menu **LCD** ou **HDMI** pour désactiver les informations à l'écran de la sortie correspondante, excepté le voyant d'enregistrement tally.



La caméra affiche le voyant d'enregistrement tally, même en mode Clean Feed

REMARQUE Les LUTs seront appliquées aux sorties pour lesquelles le paramètre **Clean Feed** est activé. Pour désactiver les LUTs, il suffit de désactiver le bouton du paramètre **Afficher LUT** dans le menu **Moniteur**.

Affichage LUT 3D

La Blackmagic Pocket Cinema Camera peut appliquer des LUTs 3D à n'importe quelle sortie pour lui donner un rendu de séquence étalonnée. C'est particulièrement utile lorsque vous enregistrez des clips avec la plage dynamique Film.

Si la caméra possède une LUT active, utilisez ce paramètre pour appliquer cette LUT à l'écran tactile ou à la sortie HDMI.

Pour plus d'informations sur le chargement et l'utilisation des LUTs 3D, consultez la section « LUTs 3D » de ce manuel.

Touchez les options **LCD** ou **HDMI** pour accéder aux paramètres de monitoring pour l'écran tactile et la sortie HDMI : focus assist (aide à la mise au point), repères de cadrage, grilles, zone de sécurité et fausses couleurs.

Zébra

Touchez le bouton **Zébra** dans le menu **LCD** ou **HDMI** pour activer le zébra sur ces sorties. Pour plus d'informations sur le zébra et la configuration des niveaux de zébra, consultez la section « Caractéristiques de l'écran tactile » de ce manuel.

Focus Assist

Touchez le bouton **Focus Assist** dans le menu **LCD** ou **HDMI** pour activer l'aide à la mise au point sur ces sorties. Pour plus d'informations sur l'aide à la mise au point et la configuration des niveaux de l'aide à la mise au point, consultez la section « Caractéristiques de l'écran tactile » de ce manuel.

Repères de cadrage

Touchez le bouton **Repères cadrage** dans le menu **LCD** ou **HDMI** pour activer les repères de cadrage sur ces sorties. Pour plus d'informations sur les repères de cadrage et leur sélection, consultez la section « Caractéristiques de l'écran tactile » de ce manuel.

Grille

Touchez le bouton **Grille** dans le menu **LCD** ou **HDMI** pour activer la grille de composition selon la règle des tiers sur ces sorties. Pour plus d'informations sur la grille de composition selon la règle des tiers, consultez la section « Caractéristiques de l'écran tactile » de ce manuel.

Zone de sécurité

Touchez le bouton **Zone sécurité** dans le menu **LCD** ou **HDMI** pour activer la zone de sécurité sur ces sorties. Pour plus d'informations sur le paramètre de la zone de sécurité, consultez la section « Caractéristiques de l'écran tactile » de ce manuel.

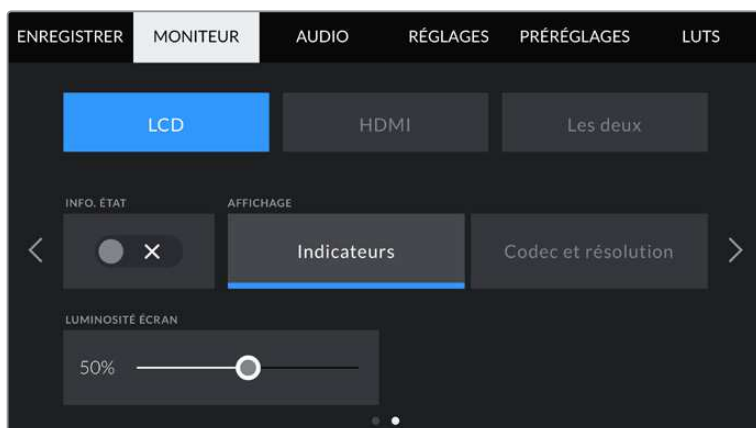
REMARQUE Utilisez le paramètre **Zone sécurité %** dans le menu **Les deux** de l'onglet **Moniteur** de la Blackmagic Pocket Cinema Camera pour régler la taille de la zone de sécurité.

Fausses couleurs

Touchez le bouton **Fausses couleurs** dans le menu **LCD** ou **HDMI** pour activer les fausses couleurs sur ces sorties. Pour plus d'informations sur le paramètre des fausses couleurs, consultez la section « Caractéristiques de l'écran tactile » de ce manuel.

Paramètre LCD de l'onglet Moniteur – Page 2

La deuxième page du paramètre LCD de l'onglet moniteur contient des options permettant de régler l'écran tactile.



Le paramètre Info. état vous permet de prévisualiser vos images de manière claire

Info. état

Ce paramètre est pratique pour masquer les informations d'état et les indicateurs audio affichés sur l'écran tactile, et ainsi conserver uniquement les informations nécessaires à la composition du plan. Touchez le bouton **Info. état** pour activer ou désactiver les informations d'état et les indicateurs audio sur l'écran de la caméra. Les autres informations à l'écran, telles que les repères de cadrage, la grille, le focus assist et le zébra resteront visibles, s'ils sont actifs. Vous pouvez également balayer l'écran tactile vers le haut ou vers le bas pour obtenir le même résultat.

Affichage

Au lieu de l'histogramme et des indicateurs audio, la caméra peut afficher les informations relatives au codec et à la résolution dans les coins gauche et droit de l'écran tactile. C'est très pratique si vous préférez utiliser les fausses couleurs pour régler l'exposition ou si vous enregistrez l'audio séparément et souhaitez afficher des informations supplémentaires à l'endroit où l'histogramme et les indicateurs audio sont normalement affichés.

Pour sélectionner l'affichage souhaité, il suffit de toucher le paramètre **Indicateurs** ou **Codec et Résolution** dans le menu LCD.



Au lieu de l'histogramme et des indicateurs audio, la Blackmagic Pocket Cinema Camera peut afficher les informations relatives au codec et à la résolution.

Luminosité de l'écran

Déplacez le curseur **Luminosité écran** vers la gauche ou vers la droite dans le menu LCD pour ajuster la luminosité de l'écran tactile.

Paramètre HDMI de l'onglet Moniteur – Page 2

La deuxième page du paramètre HDMI de l'onglet moniteur contient des options permettant de régler la sortie HDMI.



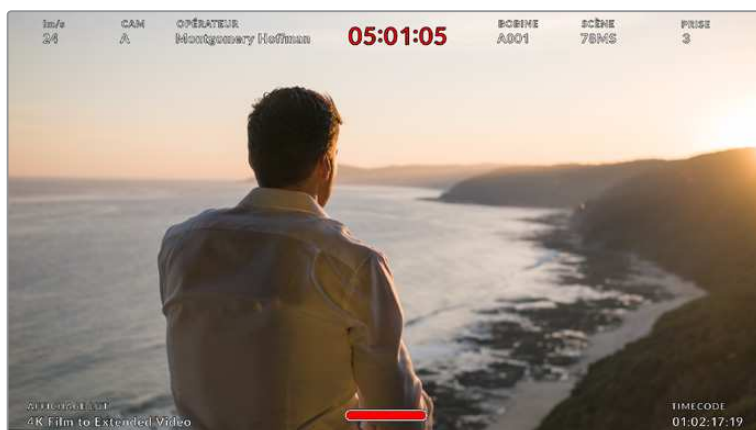
Info. état

Il est pratique de pouvoir masquer les informations d'état et les indicateurs audio affichés sur la sortie HDMI, et ainsi conserver uniquement les informations nécessaires à la composition du plan. Touchez le bouton **Info. état** dans le menu **HDMI** du moniteur pour activer ou désactiver les informations d'état et les indicateurs audio sur cette sortie. Les autres informations à l'écran, telles que les repères de cadrage, la grille, le focus assist et le zébra resteront visibles, s'ils sont actifs.

Pour masquer ou afficher les informations d'état et les indicateurs audio, balayez l'écran tactile vers le haut ou vers le bas.

Afficher info. état pour Directeur de la photographie et Réalisateur

L'écran tactile affiche des informations telles que l'ISO, la balance des blancs et l'ouverture. Ces informations sont pratiques pour le cameraman ou le directeur de la photo qui doivent régler des plans individuels sur la caméra. Toutefois, la sortie HDMI peut également afficher des informations utiles au réalisateur ou au scripte qui doivent garder l'œil sur plusieurs plans ou caméras.



La Blackmagic Pocket Cinema Camera peut afficher des informations destinées au réalisateur sur la sortie HDMI

Lorsque vous réglez les informations d'état sur **Réalisateur** au sein des paramètres HDMI de l'onglet Moniteur, les informations d'état suivantes s'affichent :

- **Im/s**
Affiche la fréquence d'images sélectionnée pour cette caméra. Si le paramètre **Enregistrement off speed** est désactivé, seule la fréquence d'images du projet est affichée. Si le paramètre **Enregistrement off speed** est activé, la fréquence d'images du capteur s'affiche, suivie de la fréquence d'images du projet.
- **CAM**
Affiche l'identifiant de la caméra, comme réglé sur le clap de la caméra. Pour plus d'informations, consultez la section « Clap ».
- **OPÉRATEUR**
Identifie l'opérateur caméra, comme réglé sur le clap de la caméra. Pour plus d'informations, consultez la section « Clap ».
- **AFFICHAGE DE LA DURÉE**
Affiche la durée du clip en cours d'enregistrement, ou du dernier clip enregistré au format : heures:minutes:secondes.
- **BOBINE, SCÈNE, PRISE**
Affiche la bobine, la scène et la prise en cours. Pour plus d'informations sur la création des libellés bobine, scène et prise, consultez la section « Clap ».
- **PLAGE DYNAMIQUE**
La LUT appliquée à la sortie en cours est affichée dans le coin gauche de l'écran. Lorsqu'aucune LUT n'a été appliquée, la plage dynamique affiche **Film** ou **Video**.
- **TIMECODE**
Le timecode de la caméra est affiché en heures:minutes:secondes:images dans le coin droit de l'écran.

Paramètre Les deux de l'onglet Moniteur – Page 1

Les paramètres du moniteur qui affectent l'écran LCD et la sortie HDMI sont regroupés au sein du menu **Les deux**. Par exemple, si vous réglez le paramètre **Zone sécurité %** sur 90% dans ce menu, la zone de sécurité de l'écran LCD et de la sortie HDMI sera réglée sur 90%.

Les paramètres du moniteur du menu Les deux sont regroupés sur 2 pages. Ils sont les suivants :



Repères de cadrage

Touchez les flèches gauche et droite du paramètre **Repères cadrage** afin de choisir entre les sept options de repères de cadrage pour toutes les sorties de la caméra. Ces options sont décrites dans la section « Caractéristiques de l'écran tactile » de ce manuel. Vous pouvez également y accéder à partir du menu de monitoring LCD de l'écran LCD tactile. Veuillez noter que vous pouvez choisir indépendamment si les repères de cadrage s'affichent sur l'écran LCD tactile et sur la sortie HDMI dans les menus de l'onglet **Moniteur** correspondants.

Repères d'opacité

Touchez les flèches gauche et droite du paramètre **Repères opacité** pour choisir l'opacité des zones délimitées par les repères de cadrage sur l'écran tactile, ainsi que sur l'écran LCD tactile et la sortie HDMI. Les options sont 25%, 50%, 75% et 100%.

Focus Assist

La caméra intègre deux modes d'aide à la mise au point : **Crête** et **Lignes colorées**.

Crête	Lorsque le mode Crête est sélectionné, les zones de l'image qui sont très nettes sur l'écran LCD tactile ou la sortie HDMI ne le seront pas sur l'image enregistrée. À l'écran, les zones nettes de l'image ressortent clairement contre l'arrière-plan. Comme il n'y a pas d'autres informations affichées à l'écran, c'est une façon intuitive de savoir si la mise au point a été effectuée, car le sujet sur lequel vous focalisez est séparé des autres éléments du plan.
Ligne colorée	Lorsque le mode Lignes colorées est sélectionné, une ligne de couleur s'affiche sur les zones nettes de l'image. Ce mode est un peu plus inconfortable que le mode Crête car les lignes sont superposées à l'image. Cependant, c'est une aide à la mise au point précise pour les plans qui comportent de nombreux éléments.

Niveau focus assist

Pour régler le niveau de l'aide à la mise au point de l'écran LCD tactile et de la sortie HDMI, touchez les options **Faible**, **Modéré** ou **Élevé**.

REMARQUE Régler le niveau d'intensité de l'aide à la mise au point n'active pas l'aide à la mise au point sur l'écran LCD ou sur la sortie HDMI. Vous devez donc activer l'aide à la mise au point individuellement sur les sorties **LCD** et **HDMI** de l'onglet **Moniteur**.

CONSEIL Le niveau optimal d'aide à la mise au point peut varier selon les plans. Par exemple, lorsque vous effectuez la mise au point sur les acteurs, un niveau d'aide plus élevé permet de bien définir le contour du visage. En revanche, si vous réglez un niveau élevé sur un plan représentant du feuillage ou un mur de briques, vous allez sans doute obtenir trop d'informations nettes.

Couleur focus

Utilisez ce paramètre pour changer la couleur de la ligne de mise au point lorsque vous êtes en mode **Lignes colorées**. Modifier la couleur de cette ligne peut faciliter l'aide à la mise au point. Les options disponibles sont **Blanc**, **Rouge**, **Vert**, **Bleu** et **Noir**.

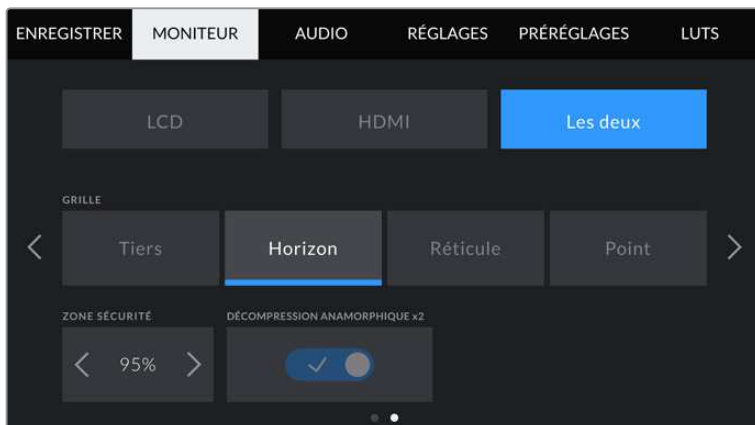
Niveaux zébra

Réglez le niveau d'exposition à partir duquel le zébra apparaît en touchant les flèches situées de part et d'autre du paramètre. Le niveau du zébra est réglable par palier de 5% entre 75% et 100% d'exposition.

Pour plus d'informations, consultez le paragraphe « Zébra » de la section « Caractéristiques de l'écran tactile ».

Paramètre Les deux de l'onglet Moniteur – Page 2

La deuxième page de l'onglet **Moniteur** contient les options suivantes pour le paramètre **Les deux** :



Page 2 de l'onglet **Moniteur** pour le paramètre **Les deux**

Grille

Pour régler la grille et les réticules que vous souhaitez afficher sur l'écran LCD tactile et sur la sortie HDMI, touchez l'option **Tiers**, **Réticule** ou **Point** de ce paramètre.

Pour plus d'informations, consultez le paragraphe **Grille** de la section « Caractéristiques de l'écran tactile ».

Zone sécurité %

Pour modifier la taille de la zone de sécurité sur l'écran LCD tactile et sur la sortie HDMI, touchez les flèches situées de part et d'autre de ce paramètre. Le pourcentage indique la taille de la zone de sécurité par rapport au cadre de l'image. La plupart des diffuseurs exigent une zone de sécurité de 90%.

Décompression anamorphique

Votre Pocket Cinema Camera peut appliquer une décompression anamorphique à l'écran tactile LCD et à la sortie HDMI. Avec les formats 16:9 et 17:9, vous pouvez activer le paramètre **Décompression anamorphique 1,33x**. Lorsque vous enregistrez en **3.7K anamorphique** sur la Pocket Cinema Camera 6K ou en **2.8K anamorphique** sur la Pocket Cinema Camera 4K, la caméra applique automatiquement **Décompression anamorphique x2**.

Onglet Audio

L'onglet **Audio** vous permet d'ajuster les paramètres de l'entrée audio et du monitoring sur la caméra.

Les paramètres audio de la caméra sont regroupés sur deux pages et divisés entre les canaux 1 et 2.

Vous pouvez attribuer une source différente à chaque canal et ajuster divers paramètres, tels que le contrôle du gain.

Onglet Audio – Page 1

La première page de l'onglet **Audio** contient les paramètres suivants.



Sources des canaux

Utilisez les boutons **Source canal 1** et **Source canal 2** pour sélectionner la source audio de chaque canal audio. Vous trouverez ci-dessous une description des paramètres de chaque source de canal.

- **Caméra Gauche ou Droit**
Enregistre depuis les micros internes de la caméra.
- **Caméra Mono**
Crée un seul canal audio à partir des canaux gauche et droit des micros intégrés de la caméra.
- **XLR - Ligne**
Utilise l'entrée XLR de la caméra pour enregistrer l'audio de niveau ligne.
- **XLR - Micro**
Utilise l'entrée XLR de la caméra pour enregistrer l'audio de niveau micro. Lorsque l'alimentation fantôme est activée et que l'entrée XLR est réglée sur **Micro**, l'indicateur **+48V** s'affiche également. Il est également important de vérifier que l'interrupteur +48V est désactivé lorsque vous déconnectez le micro avec l'alimentation fantôme.
- **3,5mm Gauche – Ligne**
Utilise seulement le canal gauche de l'entrée 3,5mm en tant qu'audio de niveau ligne.
- **3,5mm Droit – Ligne**
Utilise seulement le canal droit de l'entrée 3,5mm en tant qu'audio de niveau ligne.
- **3,5mm Mono – Ligne**
Crée un mix mono sur les canaux gauche et droit depuis l'entrée 3,5mm en tant qu'audio de niveau ligne.
- **3,5mm Gauche – Micro**
Utilise seulement le canal gauche de l'entrée 3,5mm en tant qu'audio de niveau micro.
- **3,5mm Droit – Micro**
Utilise seulement le canal droit de l'entrée 3,5mm en tant qu'audio de niveau micro.
- **3,5mm Mono – Micro**
Crée un mix mono sur les canaux gauche et droit depuis l'entrée 3,5mm en tant qu'audio de niveau micro.
- **Aucune**
Désactive le canal audio.

REMARQUE Lorsque vous sélectionnez l'entrée de 3,5mm en tant que source audio, le canal 1 et le canal 2 doivent être tous deux en niveau ligne ou en niveau micro. Par exemple, si vous sélectionnez **3,5mm Gauche - Ligne** en tant que source du canal 1, les options disponibles pour l'entrée de 3,5mm sur le canal 2 seront également en niveau ligne : **3,5mm Gauche - Ligne**, **3,5mm Droit - ligne** et **3,5mm Mono - Ligne**. Les options de niveau micro seront grisées.

Niveau canal 1 et 2

Les niveaux audio vous permettent de régler le niveau audio le plus adapté.

Gain canal 1 et 2

Utilisez ces curseurs pour ajuster les niveaux de l'enregistrement audio sur le canal 1 ou 2.

Onglet Audio – Page 2

La deuxième page de l'onglet **Audio** contient les paramètres suivants.



Volume casque

Ce curseur permet d'ajuster les niveaux de la sortie du casque connecté au jack de 3,5 mm. Déplacez le curseur audio vers la gauche ou vers la droite pour ajuster les niveaux.

Volume haut-parleur

Le curseur de ce paramètre permet d'ajuster les niveaux de la sortie du haut-parleur intégré. Déplacez le curseur audio vers la gauche ou vers la droite pour ajuster les niveaux.

Alimentation fantôme XLR

L'entrée XLR de la caméra peut fournir une alimentation fantôme de 48V, pour vous permettre d'utiliser des micros qui ne sont pas autonomes. Lorsque la caméra est réglée sur l'entrée audio XLR, il suffit d'activer ce paramètre pour activer l'alimentation fantôme.

Indicateurs audio

Sélectionnez une norme d'indicateur audio pour afficher le niveau de crête.

Réglage des indicateurs audio	Norme
PPM (-20 dBFS)	SMPTE RP.0155
PPM (-18 dBFS)	EBU R.68

REMARQUE Il est recommandé de brancher le câble XLR avant d'activer l'alimentation fantôme. Il est également important de désactiver l'alimentation fantôme lorsqu'il n'y a plus de micro avec alimentation fantôme connecté. Connecter du matériel qui ne requiert pas d'alimentation fantôme lorsque vous êtes en mode alimentation fantôme peut endommager votre équipement. Cela peut prendre un peu de temps avant que l'alimentation fantôme se décharge après l'avoir désactivée.

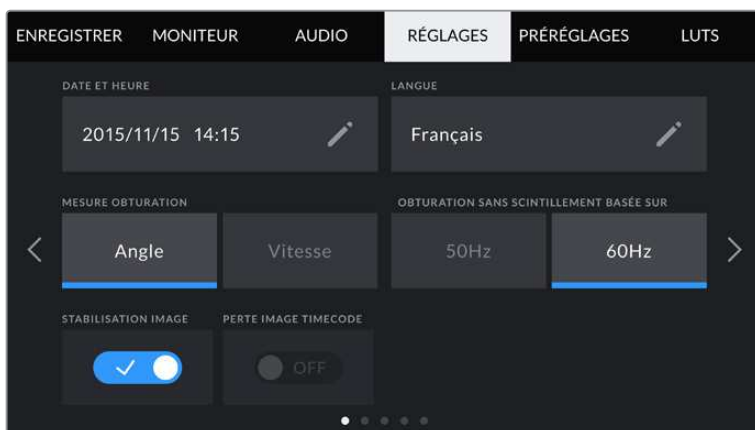
Il est donc judicieux d'attendre quelques minutes avant de brancher un autre micro ou du matériel audio XLR.

Onglet Réglages

L'onglet **Réglages** contient les paramètres d'identification de la Blackmagic Pocket Cinema Camera, la version du logiciel, les paramètres des boutons de fonction et d'autres paramètres de la caméra qui ne sont pas directement liés à l'enregistrement ou au monitoring. Ce menu possède quatre pages. Vous pouvez passer d'une page à l'autre en touchant les flèches situées de part et d'autre de l'écran, ou en balayant l'écran vers la gauche ou vers la droite.

Onglet Réglages – Page 1

La première page de l'onglet **Réglages** de votre caméra contient les options suivantes.

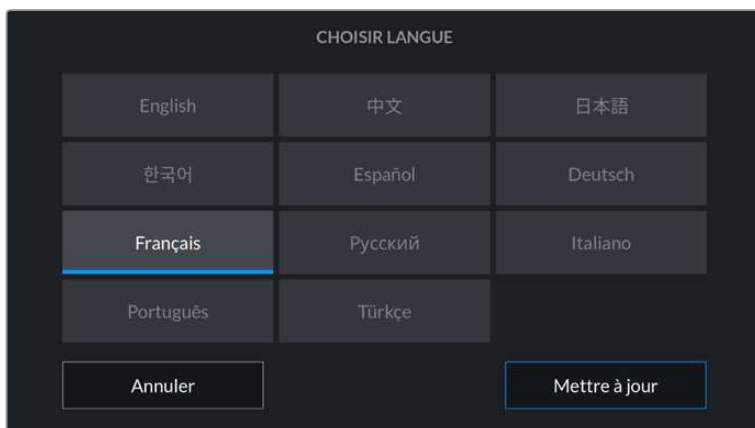


Date et heure

Réglez la date et l'heure de votre caméra en touchant le paramètre **Date et heure**. Le format de la date est année, mois, jour. Le format de l'heure est 24 heures. Ce paramètre est également utilisé pour le timecode sous forme de code horaire lorsqu'aucune source de timecode externe n'est connectée.

Langue

La Pocket Cinema Camera prend en charge 11 langues : l'anglais, le français, l'allemand, l'italien, le japonais, le coréen, le portugais, le russe, l'espagnol et le turc.



La page de la langue s'affichera également lors du premier démarrage.

Pour choisir la langue :

- 1 Touchez **Langue** et sélectionnez la langue dans la liste.
- 2 Touchez **Mettre à jour** pour revenir au menu de configuration.

Mesure obturation

Utilisez le paramètre **Mesure obturation** pour afficher l'angle d'obturation ou la vitesse d'obturation.

Il est important de noter que lorsque vous utilisez l'angle d'obturation, l'obturateur se conforme à la fréquence d'images. Par exemple, 180 degrés produira le même flou de bougé, peu importe la fréquence d'images utilisée.

Toutefois, lorsque vous utilisez la vitesse d'obturation, une valeur absolue est attribuée à l'obturateur, déterminée indépendamment de la fréquence d'images. C'est pourquoi les résultats seront différents si vous changez de fréquence d'images.

Par exemple, si vous filmez à 24 images par seconde, 1/48 de seconde de vitesse d'obturation produira un flou de bougé agréable, qui équivaudrait à un angle d'obturation de 180 degrés. Si vous changez la fréquence d'images sur 48 images par seconde et la vitesse d'obturation sur 1/48 seconde, vous obtiendrez un flou de bougé différent, qui équivaudrait à un angle d'obturation de 360 degrés. Dans cet exemple, une fois que la fréquence d'images a été changée sur 48 im/s, vous devrez également changer la vitesse d'obturation sur 1/96 de seconde afin de produire le même effet qu'un angle d'obturation à 180 degrés.

Obturation sans scintillement basée sur

Utilisez ce paramètre pour modifier la fréquence du courant utilisée par votre caméra pour calculer des angles d'obturation sans scintillement.

Lorsque vous filmez sous un éclairage artificiel, l'obturation choisie peut provoquer des scintillements. La Blackmagic Pocket Cinema Camera calcule automatiquement une valeur d'obturation sans scintillement en fonction de la fréquence d'images et suggère jusqu'à trois valeurs d'obturation. Les valeurs d'obturation sont affectées par la fréquence du courant utilisé pour cet éclairage. Dans la plupart des pays qui utilisent la norme PAL, cette fréquence est de 50Hz. En revanche, dans les pays qui utilisent la norme NTSC, cette fréquence est de 60Hz. Touchez le paramètre **50Hz** ou **60Hz** pour régler la fréquence appropriée pour votre région.

REMARQUE Les caractéristiques de certaines sources lumineuses peuvent provoquer des scintillements même lorsque vous utilisez des valeurs d'obturation sans scintillement. Lorsque vous n'utilisez pas de lumière continue, nous vous recommandons d'effectuer un test avant de commencer le tournage.

Stabilisation image

La Pocket Cinema Camera 4K comprend le paramètre **Stabilisation image** pour activer ou désactiver la stabilisation d'image sur les objectifs qui ne sont pas dotés d'interrupteur physique.

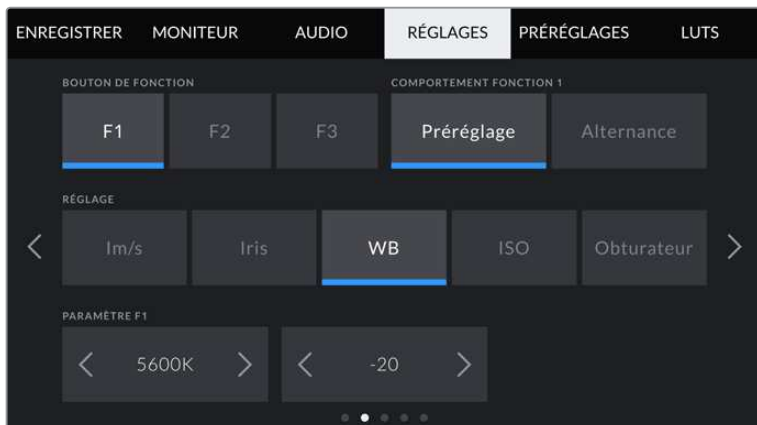
Perte image timecode

Utilisez le paramètre **Perte image timecode** pour éliminer quelques images du timecode à intervalle régulier lorsque vous utilisez des fréquences d'images de projet NTSC de 29.97 et 59.94.

Le timecode de votre projet sera ainsi toujours correct, bien que chaque seconde ne contienne pas un nombre entier d'images pour les fréquences d'images NTSC.

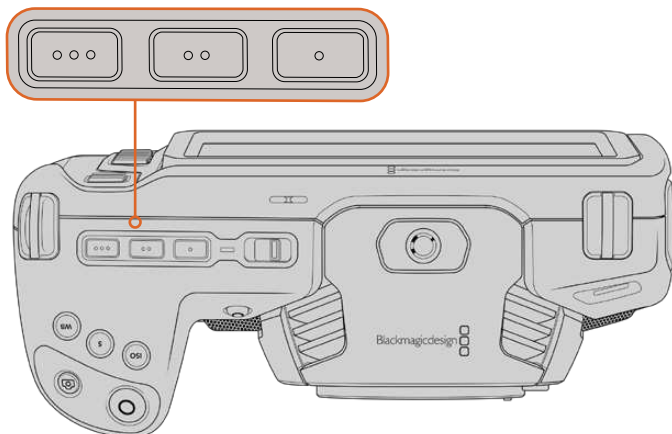
Onglet Réglages – Page 2

La deuxième page de l'onglet **Réglages** contient les paramètres suivants.



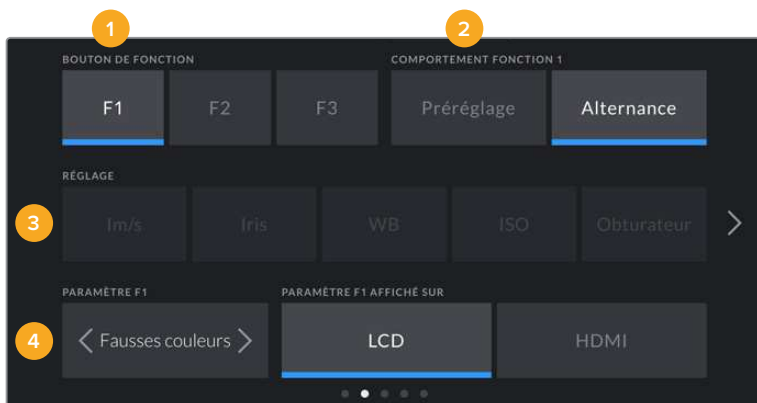
Bouton de fonction

La face supérieure de la Blackmagic Pocket Cinema Camera comprend trois boutons de fonction. Le nombre de points sur chaque bouton représente le numéro de chaque fonction (1, 2 et 3). Vous pouvez assigner ces boutons à des fonctionnalités que vous utilisez fréquemment, afin d'y accéder rapidement.



Les boutons de fonctions représentés par des points sont situés sur la face supérieure de votre caméra

Pour configurer ces boutons, sélectionnez un bouton de fonction, puis sa fonction, un paramètre et une valeur pour ce paramètre.



1 Bouton 2 Comportement 3 Réglage 4 Paramètre

Comportement fonction 1/2/3

Une fois que vous avez sélectionné le bouton que vous souhaitez mapper, vous pourrez sélectionner une fonction. Les options disponibles sont :

Préréglage	<p>Lorsque vous appuyez sur un bouton réglé sur cette fonction, un paramètre et une valeur sont rappelés en mémoire.</p> <p>Pour configurer un préréglage, sélectionnez le paramètre que vous souhaitez utiliser dans l'onglet Réglages, puis ajustez ce paramètre en touchant les flèches situées de part et d'autre du menu Paramètre de la fonction.</p> <p>Par exemple, pour rappeler une ouverture de f8 à partir du bouton F1, sélectionnez Préréglage dans le menu Comportement fonction 1, touchez le paramètre Iris dans le menu Réglage, puis touchez les flèches situées de part et d'autre du menu Paramètre jusqu'à ce que vous obteniez la valeur f8. Si vous touchez à nouveau le paramètre Préréglage, vous reviendrez au paramètre précédent.</p>
Alternance	<p>Lorsque vous appuyez sur un bouton réglé sur cette fonction, le paramètre choisi sera activé ou désactivé. Le menu Réglage est grisé lorsque vous utilisez ce mode. Touchez les flèches gauche ou droite dans le menu Paramètre pour faire défiler les options disponibles. Les options sont Rec. off speed, OIS, Clean feed, Afficher LUT, Repères de cadrage, Focus Assist, Fausses couleurs, Zébra, Grille et Zone de sécurité.</p> <p>La fonction Alternance vous permet de sélectionner la sortie à laquelle ce paramètre s'applique. Touchez n'importe quelle combinaison pour les sorties LCD et HDMI. Si la sortie d'une option n'est pas sélectionnable, comme Rec. off speed qui s'applique à toutes les sorties, les options LCD et HDMI sont désactivées.</p>

Onglet Réglages – Page 3

La troisième page de l'onglet **Réglages** contient les paramètres suivants.



LED tally

La Blackmagic Pocket Cinema Camera possède un voyant tally à l'avant qui s'allume en rouge lorsque la caméra enregistre. Vous pouvez activer ou désactiver le voyant tally via le paramètre LED tally.

Luminosité LED

Réglez la luminosité du voyant tally en touchant les options **Faible** pour une luminosité réduite, **Modérée** pour une luminosité moyenne ou **Élevée** pour une forte luminosité.

ID. hardware

Le paramètre **ID. hardware** affiche un identifiant à 8 caractères pour la Blackmagic Pocket Cinema Camera. Chaque caméra possède un identifiant qui lui est propre. Une version de 32 caractères de cet identifiant est incluse dans les métadonnées pour la vidéo Blackmagic RAW et ProRes. C'est pratique pour identifier de quelle caméra provient chaque séquence.

Logiciel

Ce paramètre affiche la version du logiciel installée sur la caméra. Pour plus d'informations, consultez la section « Utilitaire Blackmagic Camera Setup » de ce manuel.

Lecture clip

Ce paramètre vous permet de sélectionner le mode de lecture des clips sur **Tous** ou **Un seul** sur l'écran LCD tactile depuis la carte SD, CFast ou depuis le disque flash USB-C. Le mode **Tous** lit les médias dont les réglages sont identiques de manière séquentielle. Le mode **Un seul** lit un clip à la fois. Ces modes s'appliquent également avec la fonction de lecture en boucle. Lorsque le mode **Tous** est activé avec la lecture en boucle, tous les clips qui se trouvent sur le support de stockage sont lus en continu. Lorsque le mode **Un seul** est activé avec la lecture en boucle, un seul clip est lu en boucle.

Onglet Réglages – Page 4

La quatrième page de l'onglet **Réglages** contient les paramètres du Bluetooth®.



Le nom de la caméra Bluetooth est composé de la lettre de la caméra comme réglé sur le clap, suivi des 8 caractères de l'identifiant de votre caméra.

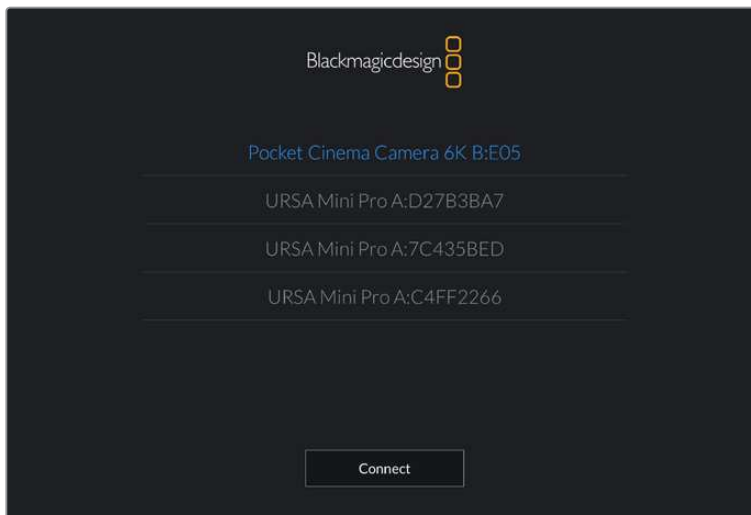
Bluetooth®

La fonction Bluetooth vous permet de contrôler la caméra à distance à partir d'appareils portables. En utilisant l'application **Blackmagic Camera Control App**, vous pouvez changer les paramètres, modifier les métadonnées et déclencher l'enregistrement à distance depuis un iPad. Vous pouvez activer et désactiver le Bluetooth en touchant l'interrupteur de la fonction **Bluetooth**. Lorsque le Bluetooth est activé, la caméra peut être détectée par des appareils dotés du Bluetooth à une distance de 9 mètres. Comme les commandes de votre caméra pour le contrôle Bluetooth sont les mêmes que pour le **Blackmagic SDI Camera Control Protocol**, vous pouvez créer vos propres applications pour contrôler quasiment tous les paramètres de la caméra à distance. Par exemple, vous pourrez contrôler à distance les paramètres de monitoring et audio, l'outil d'étalonnage DaVinci Resolve intégré ou l'objectif.

Pour plus d'informations, veuillez consulter le document « Blackmagic Camera Control » disponible sur le site Internet www.blackmagicdesign.com/fr/developer

Pour associer votre caméra à un iPad pour la première fois :

- 1 Activez le Bluetooth en touchant l'interrupteur de la fonction **Bluetooth** dans l'onglet **Réglages**.
- 2 Ouvrez l'application **Blackmagic Camera Control App** et choisissez la caméra que vous souhaitez associer. Les caméras disponibles sont affichées par leur lettre, suivie de leur identifiant unique. Par exemple A:A0974BEA.



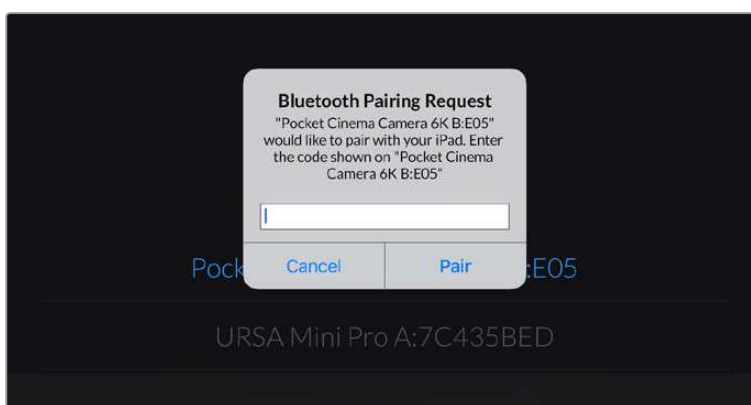
Sélectionnez la Blackmagic Pocket Cinema Camera que vous souhaitez associer.

REMARQUE Lorsque vous installez l'application Blackmagic Camera Control et que vous l'utilisez pour la première fois, un message s'affichera pour vous demander si vous souhaitez activer les services de localisation. Si vous sélectionnez l'option **While using the app** (lors de l'utilisation de l'appli), les données GPS de votre iPad seront intégrées aux métadonnées des fichiers que vous tournez, ce qui vous permettra de géotaguer les séquences. Ces informations peuvent être visualisées dans les versions Blackmagic DaVinci Resolve 15 ou plus récentes.

Si vous ne souhaitez pas autoriser l'utilisation de ces informations, sélectionnez **Never**.

Pour changer ces paramètres depuis votre iPad, allez sur réglages, confidentialité, service de localisation, contrôle de la caméra.

- 3 Si vous vous connectez pour la première fois avec l'application, il vous sera demandé d'entrer un code à 6 chiffres pour permettre à l'iPad de s'associer à la caméra. Ce code sera affiché sur l'écran LCD de la caméra. Saisissez ce code dans votre iPad et appuyez sur **Pair**.





- 4 Lorsque la caméra se connecte à l'iPad, elle confirme qu'elle est bien associée.



- 5 Si l'association échoue, la caméra affichera un message d'erreur. Dans ce cas, essayez une nouvelle fois de connecter la caméra.



REMARQUE Pour des raisons de sécurité, nous vous conseillons de désactiver la fonction Bluetooth de votre Blackmagic Pocket Cinema Camera quand vous ne l'utilisez pas.

Déconnecter appareil actuel

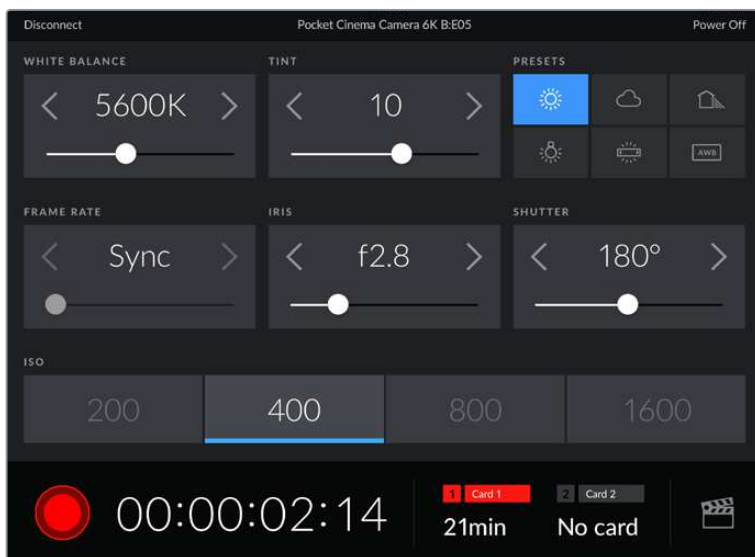
Utilisez ce réglage pour déconnecter la Blackmagic Pocket Cinema Camera de l'iPad auquel elle est associée.

Effacer appareils associés

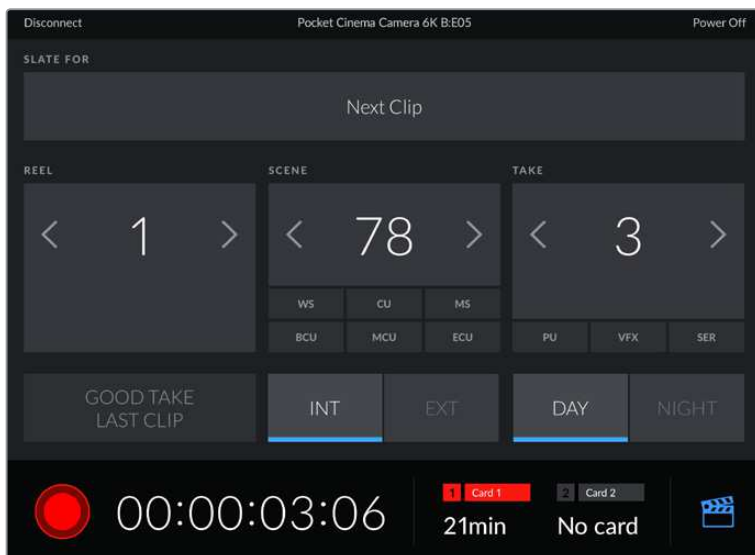
Utilisez ce paramètre pour supprimer la liste des appareils qui ont été associés à votre caméra.

Contrôler votre caméra avec l'application Blackmagic Camera Control

Une fois que votre caméra est associée à un iPad, vous pouvez changer les paramètres, régler les métadonnées et déclencher l'enregistrement à distance via l'application iPad.



Quand la caméra est associée, l'application Blackmagic Camera Control affiche un écran vous permettant de régler les paramètres et de déclencher l'enregistrement.



Touchez l'icône du clap dans le coin inférieur gauche pour accéder aux fonctions du clap et le mettre à jour.

La Blackmagic Pocket Cinema Camera utilise la technologie Bluetooth Low Energy pour le contrôle à distance des appareils. Le protocole du Bluetooth est du même type que celui utilisé dans des appareils portables, ce qui permet d'optimiser l'utilisation de la batterie.

Onglet Réglages – Page 5

La dernière page de l'onglet Réglages permet de réinitialiser les réglages de la caméra, de remapper les pixels et de calibrer le capteur de mouvement pour régler l'horizon.



Réinitialisation

Si vous souhaitez réinitialiser la caméra sur ses paramètres d'usine, touchez le bouton **Réinitialiser les réglages de la caméra**. Sur la page de confirmation, touchez **Réinitialiser** pour confirmer l'action. Votre caméra supprimera toutes les LUTs et tous les préréglages stockés, puis restaurera tous les réglages. Avant de réinitialiser les paramètres, il est conseillé d'exporter vos préréglages sur une carte mémoire, comme stockage de secours. Après une réinitialisation, vous pouvez restaurer rapidement vos préréglages en les important depuis une carte mémoire. Veuillez noter que la réinitialisation restaure également le capteur de mouvement. Vous devrez donc le recalibrer pour assurer l'exactitude de ses données.



Lorsque vous sélectionnez **Réinitialisation**, un message s'affiche pour vous demander de confirmer l'action.

Remappage pixels

Le capteur CMOS de votre Blackmagic Pocket Cinema Camera est composé de millions de pixels sensibles à la lumière. Le capteur a été calibré en usine, mais la luminosité de certains pixels peut changer avec le temps. En effet, ils peuvent devenir plus visibles, c'est ce qu'on appelle des « pixels chauds ». Toutes les caméras, peu importe le fabricant, développent des pixels chauds.

Pour régler ce problème, nous avons intégré une fonctionnalité de calibrage à la caméra, que vous pouvez utiliser si des pixels chauds apparaissent.

Pour cela, remettez le cache de l'objectif et lancez la fonctionnalité de remappage des pixels en appuyant sur le bouton **Remapper les pixels**. L'opération prend environ une minute.

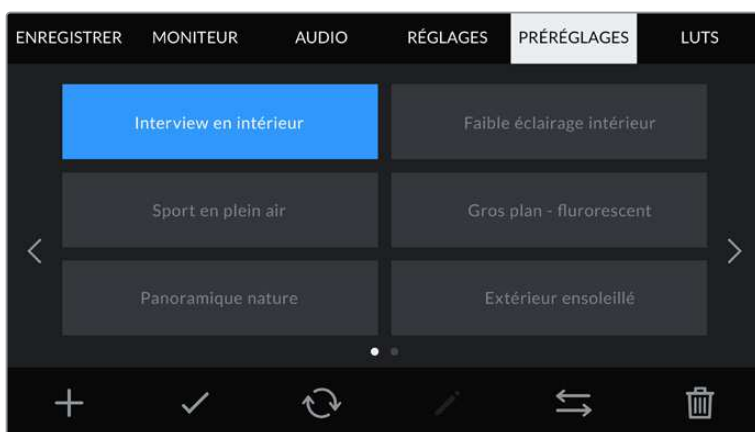
Calibrage mouvement

Pour calibrer l'indicateur d'horizon, placez votre caméra sur une surface plane, puis appuyez sur **Calibrer le capteur de mouvement**. Il est essentiel de garder la caméra stable pendant tout le calibrage. L'opération prend environ cinq secondes.

Onglet Préréglages

L'onglet **Préréglages** vous permet de sauvegarder et de rappeler 12 paramètres. C'est très utile lorsqu'une caméra est utilisée sur plusieurs projets. Par exemple, vous pouvez utiliser votre caméra pour des documentaires ou des clips musicaux et avoir des paramètres très différents selon le projet. La fonction **Préréglages** vous permet de sauvegarder la configuration d'un projet ou d'un type de tournage et de le rappeler facilement quand vous en avez besoin. Vous avez 12 emplacements pour les préréglages à votre disposition.

Vous pouvez également importer et exporter des préréglages, ce qui est très pratique pour les tournages multicaméras. Vous pouvez régler une Blackmagic Pocket Cinema Camera pour un projet, puis exporter ce préréglage pour toutes les autres Blackmagic Pocket Cinema Camera présentes sur le plateau.



L'onglet Préréglages vous permet de basculer rapidement entre les préréglages sauvegardés

REMARQUE La mémoire interne de la caméra peut sauvegarder jusqu'à 12 préréglages.

Boutons de préréglage

Les icônes situées dans le bandeau inférieur du menu **Préréglages** correspondent aux fonctions suivantes.

Ajouter	Charger	Mettre à jour	Gérer	Supprimer

Sauvegarder et rappeler les préréglages

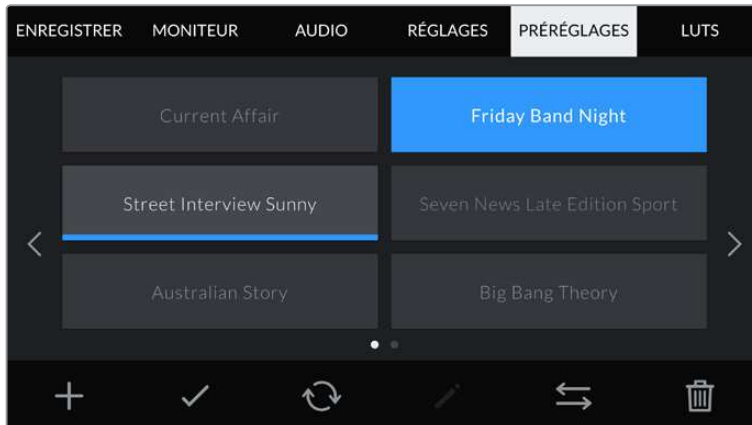
Pour créer un nouveau préréglage, touchez l'icône **Ajouter**. Un clavier tactile s'affichera sur l'écran LCD et vous pourrez nommer le préréglage. Saisissez un nom, puis touchez l'icône **Mettre à jour** pour sauvegarder tous les réglages actuels dans ce préréglage.

Si la caméra possède déjà un préréglage portant le même nom, vous pourrez remplacer le préréglage existant ou garder les deux préréglages.



Saisissez un nom pour le pré réglage à l'aide du clavier tactile en touchant l'icône **Ajouter** de l'onglet **Préréglages**.

Une fois le pré réglage sauvegardé, touchez son nom dans l'onglet **Préréglages** afin de le sélectionner. Pour charger un pré réglage, touchez l'icône **Charger**.



Sélectionnez un pré réglage et touchez l'icône **Charger** pour le charger. Les pré réglages sélectionnés s'affichent en bleu, tandis que les pré réglages chargés sont soulignés en bleu.

Vous pouvez mettre à jour un pré réglage en touchant l'icône **Mettre à jour**. Un message s'affichera pour vous demander de confirmer la mise à jour. Touchez le bouton **Mettre à jour** pour confirmer.

Importer des pré réglages

Pour importer des pré réglages, touchez l'icône **Gérer** située dans le bandeau inférieur. Sélectionnez **Importer un pré réglage**, puis **Importer** pour confirmer. L'écran d'importation s'affiche. Si votre pré réglage favori ne se trouve pas sur la carte ou le disque actif, basculez entre les supports en touchant le bouton des supports situé en haut de l'écran tactile. Vous pouvez importer des pré réglages depuis une carte CFast ou SD, ou depuis un disque flash USB-C.

La caméra effectue une recherche dans le répertoire racine et dans le dossier des pré réglages du support sélectionné. Les pré réglages que vous avez sauvegardés à un autre emplacement ne sont pas visibles.

Touchez un pré réglage pour le sélectionner, puis sélectionnez **Importer** pour confirmer votre sélection et le copier sur un emplacement disponible.

REMARQUE Lorsque les 12 emplacements sont pleins, le menu d'importation est indisponible. Vous devrez alors supprimer un pré réglage pour faire de la place.

Si le préréglage que vous souhaitez importer porte le même nom qu'un autre préréglage sauvegardé sur la caméra, vous pouvez remplacer le préréglage existant ou garder les deux. En haut à droite de l'écran, vous verrez un nombre qui représente les préréglages vides, disponibles sur la caméra. Vous ne pouvez pas excéder ce nombre.

Exporter des préréglages

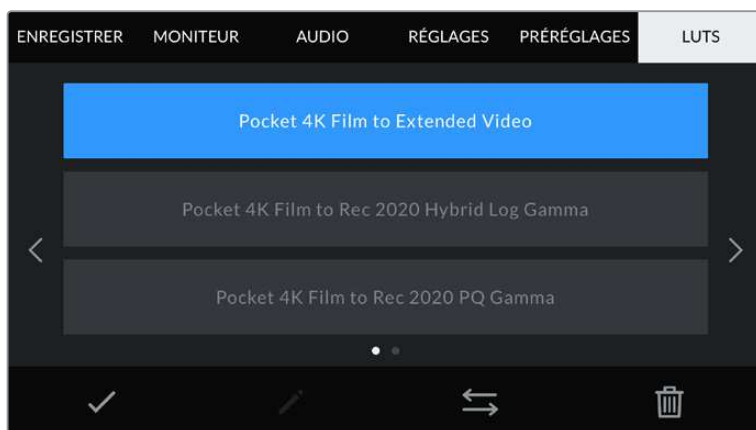
Pour exporter un préréglage sur une carte ou un disque flash USB-C, touchez le préréglage à exporter, puis touchez l'icône **Gérer**. Touchez **Exporter le préréglage sélectionné**, puis sélectionnez le support de votre choix. Si un préréglage porte le même nom qu'un préréglage déjà existant, vous pouvez remplacer le préréglage existant ou garder les deux. La caméra exporte le préréglage dans un dossier **Presets**.

Supprimer des préréglages

Pour supprimer un préréglage, il suffit de le sélectionner et de toucher l'icône **Supprimer**. Lorsqu'il vous est demandé de confirmer votre choix, appuyez sur **Supprimer**.

LUTs 3D

L'onglet **LUTS** vous permet d'importer, d'exporter et d'appliquer des LUTs 3D aux sorties de la caméra.



Sélectionnez une LUT 3D via l'onglet LUT de la caméra

Présentation des LUTs 3D

Les LUTs 3D peuvent être appliquées aux images sur l'écran LCD tactile et sur la sortie HDMI. Les LUTs indiquent à la caméra quelle couleur et quelle luminance doivent s'afficher pour une couleur ou une luminance donnée. Par exemple, une LUT peut communiquer à la caméra d'afficher une couleur bleue vive et saturée quand elle reçoit une couleur bleue relativement terne. C'est une fonction très pratique lorsque vous tournez des séquences en Blackmagic RAW, ou que vous utilisez le mode **Film**, qui offrent tout deux des images peu contrastées. Le fait d'appliquer une LUT vous donnera une meilleure idée du rendu de la séquence après l'étalonnage.

Il est facile de créer des LUTs 3D avec DaVinci Resolve ou d'autres logiciels d'étalonnage. De nombreuses LUTs sont également disponibles en ligne. La caméra peut stocker jusqu'à dix LUTs 3D à 17 ou 33 points, d'un maximum de 1,5 méga-octet chacune. Une fois chargée, vous pouvez choisir d'afficher une LUT sur l'écran LCD tactile et sur la sortie HDMI.

La Blackmagic Pocket Cinema Camera prend en charge les LUTs 3D à 33 points au format `.cube`, créées au sein de DaVinci Resolve et les LUTs 3D à 17 points, converties au format `.cube` de Resolve via des programmes de conversion de LUT. La caméra traite les LUTs 3D à l'aide d'une interpolation tétraédrique d'excellente qualité.

CONSEIL Pour plus d'informations sur l'affichage des LUTs, consultez la section « Onglet Moniteur » de ce manuel.

REMARQUE Avec la Blackmagic Pocket Cinema Camera, vous ne pouvez pas appliquer ou intégrer de LUTs par défaut sur des clips enregistrés. Pour intégrer une LUT à vos clips, vous devrez activer cette fonction.

C'est une option pratique lorsque vous n'avez pas le temps d'effectuer l'étalonnage en post-production, ou quand vous devez fournir les images directement à un client ou au monteur.

Lorsque vous utilisez une LUT en tant qu'outil de prévisualisation, les informations de la LUT sont sauvegardées en tant que métadonnées avec vos enregistrements. DaVinci Resolve peut afficher ces informations dans le champ **LUT utilisée** de l'onglet des métadonnées. Cela peut être utile pour les étalonneurs qui souhaitent vérifier le nom de la LUT qui a été utilisée pendant le tournage.

LUTs intégrées

La caméra offre des LUTs intégrées qui permettent de prévisualiser les différents styles lorsque vous filmez avec la plage dynamique **Film** ou en Blackmagic RAW.

Chaque caméra offre des LUTs spécifiques au capteur :

Pocket 4K Film to Extended Video / Pocket 6K Film to Extended Video

Affiche une plage dynamique plus étendue que la LUT **Pocket 4K Film to Video** ou **Pocket 6K Film to Video**, tout en appliquant un léger changement de contraste et un affaiblissement progressif dans les hautes lumières.

Pocket 4K Film to Rec 2020 Hybrid Log Gamma / Pocket 6K Film to Rec 2020 Hybrid Log Gamma

Affiche une image à mi-chemin entre le REC 709 et une image Log.

Pocket 4K Film to Rec 2020 PQ Gamma / Pocket 6K Film to Rec 2020 PQ Gamma



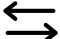

Affiche une courbe gamma calculée sur ce que perçoit l'œil humain, pour encoder efficacement les images HDR.

Pocket 4K Film to Video / Pocket 6K Film to Video

Similaire à l'espace colorimétrique REC 709 pour la vidéo haute définition. Offre un niveau élevé de contraste et de saturation. Ce réglage peut être utile lorsque vous utilisez la Blackmagic Pocket Cinema Camera avec d'autres caméras broadcast et l'espace colorimétrique REC 709.

Boutons des LUTs

Les icônes situées au bas de l'écran **LUTS** de la caméra correspondent aux fonctions suivantes.

			
Charger	Média	Gérer	Supprimer

Importer des LUTs

Pour importer une LUT 3D, touchez l'icône **Gérer** située au-dessous du menu **LUTS**. Sélectionnez **Importer une LUT**, puis **Importer** pour confirmer. L'écran d'importation s'affiche. Si votre LUT 3D favorite ne se trouve pas sur la carte ou le disque actif, basculez entre les supports en touchant le bouton des supports situé en haut de l'écran tactile. Vous pouvez importer des LUTs depuis une carte CFast ou SD, ou depuis un disque flash USB-C.

La caméra effectue une recherche dans le répertoire racine et dans le dossier des LUTs 3D du support sélectionné. Les LUTs que vous avez sauvegardées à un autre emplacement ne sont pas visibles.

Touchez une LUT pour la sélectionner, puis touchez **Importer** pour confirmer votre sélection et la copier sur un emplacement disponible.

REMARQUE Lorsque les dix emplacements pour LUT 3D sont pleins, vous devrez supprimer des LUTs existantes afin de pouvoir en importer des nouvelles.

Si la LUT que vous souhaitez importer porte le même nom qu'une autre LUT sauvegardée sur la caméra, vous pourrez remplacer la LUT existante ou garder les deux LUTs. En haut à droite de l'écran, vous verrez un nombre qui représente les LUTs vides, disponibles sur la caméra. Vous ne pouvez pas excéder ce nombre.

REMARQUE Si vous rencontrez des difficultés pour importer une LUT, cela peut être dû à sa taille. Vous pouvez utiliser un éditeur de LUT tel que Lattice pour vérifier sa taille, ou l'ouvrir dans un éditeur de texte sur votre ordinateur. À côté de l'intitulé LUT_3D_SIZE, vous trouverez un nombre indiquant la taille de la LUT. Si cette valeur n'est pas de 17 ou 33 points, vous pouvez utiliser Lattice pour redimensionner la LUT 3D sur 17 points.

Appliquer une LUT

Une fois la LUT sauvegardée sur la caméra, sélectionnez-la dans le menu LUT, puis touchez l'icône **Charger**. La LUT est ainsi activée sur toutes les sorties de la caméra. Pour afficher la LUT chargée sur les sorties de la caméra, activez le bouton **Afficher LUT** dans le menu **Moniteur**. Pour plus d'informations à ce sujet, consultez la section « Onglet Moniteur ».

Exporter des LUTs

Pour exporter une LUT sur une carte ou un disque flash USB-C, sélectionnez la LUT à exporter, puis touchez l'icône **Gérer**. Touchez **Exporter la LUT sélectionnée**, puis sélectionnez le support de votre choix. Si une LUT porte le même nom qu'une LUT déjà existante, vous pouvez remplacer la LUT existante ou garder les deux. La caméra exporte la LUT dans un dossier **3DLUTs**.

Supprimer des LUTs

Pour supprimer des LUTs que vous ne souhaitez plus utiliser, sélectionnez les LUTs de votre choix et touchez l'icône **Supprimer**. Lorsqu'il vous est demandé de confirmer votre choix, appuyez sur **Supprimer**.

LUTs 3D intégrées

Lorsque vous utilisez une LUT 3D en filmant en Blackmagic RAW avec une Blackmagic Pocket Cinema Camera, la LUT sélectionnée sera intégrée au fichier Blackmagic RAW que vous enregistrez. Comme la LUT 3D est sauvegardée avec vos fichiers enregistrés dans l'en-tête du fichier .braw, vous pouvez facilement l'appliquer à vos clips en post-production, sans avoir à gérer un fichier supplémentaire.

Lorsque les fichiers Blackmagic RAW sont livrés à un monteur ou un étalonneur, ces derniers auront facilement accès à la LUT qui a été utilisée pendant le tournage. Ainsi, le risque de confondre les LUTs 3D et de les appliquer au mauvais clip est considérablement réduit. Ils peuvent choisir d'appliquer ou non la LUT 3D lors du montage ou de l'étalonnage, et peuvent désactiver la LUT à tout moment.

Lorsque la fonction **Appliquer LUT dans fichier** est activée dans le menu **Enregistrer**, le clip enregistré s'ouvrira dans le Blackmagic RAW Player et dans DaVinci Resolve avec la LUT 3D sélectionnée.

Vous pouvez activer ou désactiver l'application de la LUT 3D, mais elle sera toujours présente dans le fichier Blackmagic RAW. DaVinci Resolve comprend également une fonction **Appliquer LUT** dans ses paramètres, pour activer ou désactiver la LUT 3D dans le fichier Blackmagic RAW.

La fonction **Appliquer LUT** dans DaVinci Resolve est la même que dans la caméra. Ainsi, quand vous filmez, vous pouvez demander à l'étalonneur d'utiliser une LUT depuis la caméra. Mais vous pourrez facilement désactiver cette LUT dans DaVinci Resolve en réglant **Appliquer une LUT** sur **Off**.

Saisie des métadonnées

Les métadonnées sont des informations enregistrées dans le clip, telles que le numéro de prise et les paramètres de la caméra. Ce sont des données extrêmement pratiques pour trier et traiter les séquences en post-production. Par exemple, les numéros de prise, de plan et de scène sont des outils d'organisation essentiels. Les informations concernant l'objectif peuvent être utilisées pour corriger automatiquement la déformation de l'image ou pour mieux associer les VFX aux séquences.

La Blackmagic Pocket Cinema Camera enregistre automatiquement certaines métadonnées, telles que les paramètres de la caméra, le timecode, la date et l'heure. Vous pouvez également utiliser le clap de la caméra pour ajouter des informations supplémentaires.

Clap

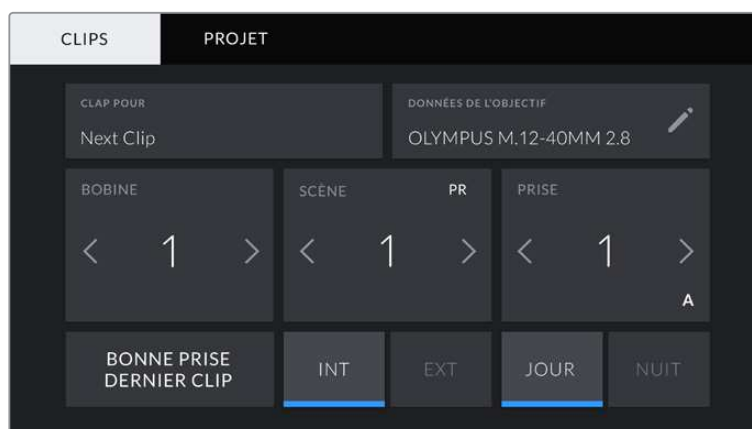
Balayez l'écran tactile vers la gauche ou vers la droite pour afficher le clap.

Le clap est divisé en deux onglets intitulés **Clips** et **Projet**. L'onglet **Clip** contient des informations qui peuvent varier selon les clips. En revanche, les informations qui sont identiques pour tous les clips sont saisies dans l'onglet **Projet**, par exemple les noms du projet, du réalisateur, de la caméra et de l'opérateur.

CONSEIL Les métadonnées saisies dans le clap sont affichées sur la sortie HDMI lorsqu'elle est réglée sur **Réalisateur**. Pour plus d'informations, consultez la section « Onglet Moniteur » de ce manuel.

Métadonnées des clips

Les modifications apportées aux métadonnées des clips fonctionnent différemment en mode veille, lorsque la caméra est prête à enregistrer, et en mode lecture, lorsque vous visionnez les séquences que vous avez tournées. En mode veille, les métadonnées des clips sont enregistrées sur le clip suivant, sauf si vous sélectionnez **Bonne prise dernier clip**, qui marque le clip qui vient d'être enregistré comme une bonne prise. En mode lecture, le bouton **Bonne prise** s'affiche et les métadonnées des clips sont toujours liées au clip en cours de visionnage.



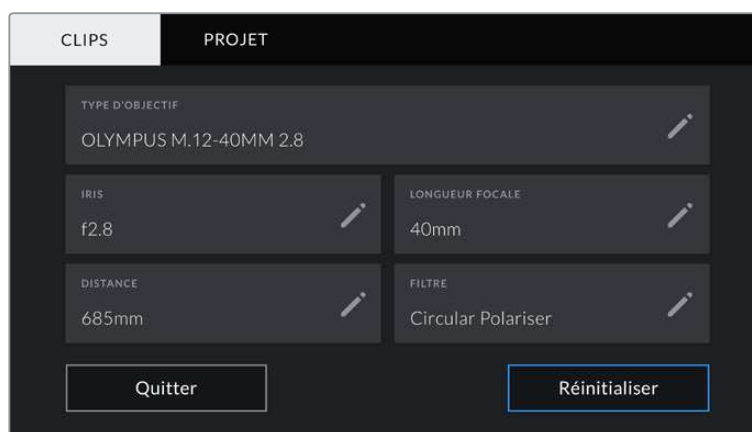
En mode lecture, le champ **Clap pour** identifie le clip auquel se réfère le clap et le bouton **Bonne prise** est visible. En mode veille, le clap se réfère au **Next clip** (prochain clip) et le bouton **Bonne prise dernier clip** est visible.

Clap pour

Ce paramètre désigne le clip auquel les métadonnées affichées dans l'onglet **Clips** se réfèrent. En mode lecture, elles se réfèrent au clip actuel, alors qu'en mode veille, elles se réfèrent au prochain clip que vous enregistrerez.

Données de l'objectif

Ce paramètre affiche des informations concernant l'objectif monté sur la caméra. De nombreux objectifs électroniques fournissent automatiquement des informations telles que le modèle de l'objectif, l'ouverture et la distance focale. Si vous utilisez un objectif qui ne fournit pas ces informations, ou si vous souhaitez saisir des données supplémentaires, touchez l'icône crayon de ce paramètre pour les saisir manuellement. Le menu **Données de l'objectif** s'affichera. Il contient les informations suivantes :



Les **Données de l'objectif** affichent les informations générées automatiquement depuis l'objectif monté sur la caméra, ainsi que les informations sur les filtres saisies manuellement.

• Type d'objectif

Affiche le modèle de l'objectif. Si le type d'objectif ne s'affiche pas automatiquement, touchez ce paramètre pour saisir les données manuellement. Comme votre caméra possède une base de données interne pour de nombreux objectifs, elle suggérera des noms automatiquement lorsque vous saisissez des données manuellement. La saisie des données sera donc beaucoup plus rapide.



Utilisez le clavier tactile pour saisir les métadonnées de l'objectif si elles n'apparaissent pas automatiquement

• Iris

Ce paramètre indique l'ouverture de l'iris au début du clip. Lorsqu'elle est fournie automatiquement, cette information peut être affichée en f- ou T-Stops selon l'objectif utilisé. Touchez l'icône crayon de ce paramètre pour saisir les données manuellement.

- **Longueur focale**

Ce paramètre indique la longueur focale de l'objectif au début du clip enregistré. Lorsqu'elle est fournie automatiquement, la longueur focale est exprimée en millimètres. Touchez ce paramètre pour la saisir manuellement.

- **Distance**

Ce paramètre indique la distance focale de l'objectif pour le clip enregistré. Certains objectifs fournissent automatiquement cette information en millimètres. Vous pouvez également saisir manuellement cette donnée.

- **Filtre**

Ce paramètre indique les filtres utilisés. Touchez l'icône crayon de ce paramètre pour saisir les données manuellement. Vous pouvez saisir plusieurs données en les séparant par des virgules.



Les informations sur les filtres doivent être saisies manuellement.

REMARQUE Vous pouvez effacer les données de l'objectif quand vous le souhaitez en touchant le bouton **Réinitialiser** dans le menu **Données de l'objectif**. Un message s'affiche pour vous demander de confirmer votre choix. Si vous confirmez, toutes les données de l'objectif seront automatiquement remplacées par les données de l'objectif actuellement monté sur la caméra. Si vous avez saisi manuellement les informations présentes dans ces champs, vous devrez réinitialiser les données de l'objectif la prochaine fois que vous monterez un objectif afin de supprimer les valeurs saisies manuellement.

Bobine

Affiche la bobine utilisée actuellement.

La Blackmagic Pocket Cinema Camera incrémente automatiquement le numéro de bobine, il n'est donc généralement pas nécessaire de saisir cette information manuellement. Quand vous passez à un autre projet et que vous souhaitez recommencer à partir de la bobine **1**, sélectionnez **Réinitialiser** dans l'onglet **Projet** du clap.

Scène

Ce paramètre indique le numéro de la scène. Il est également possible d'afficher le numéro du plan et son type.

Ce numéro fait toujours référence à la scène en cours. Vous pouvez l'ajuster à l'aide des flèches gauche et droite situées de part et d'autre du paramètre, ou en touchant le numéro de scène pour accéder à l'éditeur de numéro de scène.

Les numéros des scènes sont compris entre 1 et 9999.

En ajoutant une lettre au numéro de scène dans l'éditeur de numéro de scène, vous pourrez également indiquer le plan en cours. Par exemple, 23A indique que vous allez filmer le plan 1 de la scène 23. Si vous ajoutez une lettre au numéro de scène, la caméra suggérera le numéro de la prochaine scène et la lettre du prochain plan à chaque fois que vous accéderez à l'éditeur de numéro de scène. Par exemple, si l'identifiant de la scène actuelle est « 7B », la caméra suggérera « 8 » et « 7C ».

Le paramètre **Scène** peut également afficher des informations concernant le type de plan dans le coin supérieur droit. Vous pouvez sélectionner ces informations sur le côté droit du clavier numérique dans l'éditeur de numéro de scène.

Les types de plans disponibles sont :

PL	Plan large
PM	Plan moyen
PR	Plan rapproché
GP	Gros plan
PTS	Plan très serré
TGP	Très gros plan



Lorsque vous saisissez les métadonnées de la scène, la caméra suggérera des numéros de scène sur le côté gauche du clavier tactile, et des types de plans sur le côté droit.

Prise

Ce paramètre indique le numéro de prise pour le plan en cours. Vous pouvez l'ajuster à l'aide des flèches gauche ou droite situées de part et d'autre du paramètre, ou en touchant l'indicateur afin d'accéder à l'éditeur de numéro de prise.

CONSEIL Lorsque le numéro du plan ou la lettre de la scène s'incrémentent, le numéro de prise se remettra sur 1.

Vous pouvez également ajouter des descriptions dans l'éditeur de numéro de prise.
Ces descriptions se trouvent sur la droite du clavier tactile et correspondent aux scénarios suivants :

P/U	Pick up. Fait référence au tournage d'éléments supplémentaires d'une prise déjà tournée afin d'enrichir la séquence.
------------	--

VFX	Visual Effects. Fait référence à une prise ou à un plan auquel on ajoute des effets visuels.
------------	--

SER	Series. Fait référence à une situation où plusieurs prises ont été effectuées lors du même enregistrement.
------------	--



Lorsque vous saisissez des métadonnées concernant la prise, la Blackmagic Pocket Cinema Camera propose des types de plans sur le côté droit du clavier tactile.

Bonne prise

En mode lecture, touchez ce bouton pour marquer les bonnes prises afin de pouvoir les retrouver facilement en post-production . Lorsque la caméra est en mode veille et prête à enregistrer, touchez le bouton **Bonne prise dernier clip** pour identifier le dernier clip enregistré en tant que **Bonne prise**.

Int / Ext

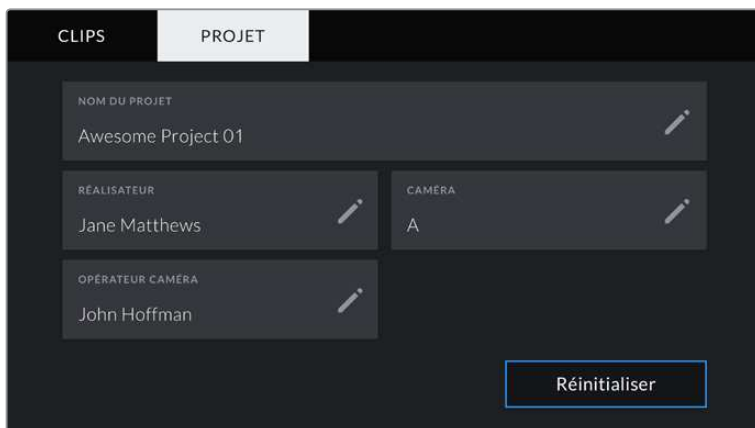
Touchez les paramètres **Int** ou **Ext** pour ajouter un marqueur intérieur ou extérieur au clip suivant en mode de veille, ou au clip en cours en mode de lecture.

Jour / Nuit

Touchez les paramètres **Jour** ou **Nuit** pour ajouter un marqueur jour ou nuit au clip suivant en mode de veille, ou au clip en cours en mode de lecture.

Métadonnées de l'onglet Projet

Les métadonnées du projet fonctionnent de la même façon en mode de veille ou en mode de lecture. Ces métadonnées font toujours référence à l'intégralité du projet et sont indépendantes des numéros de clip.



Saisissez les informations du projet dans l'onglet **Projet** du clap.

Projet

Affiche le nom du projet en cours. Touchez l'icône crayon pour modifier le nom du projet.

Réalisateur

Affiche le nom du réalisateur pour le projet en cours. Touchez l'icône crayon pour modifier le nom du réalisateur.

Caméra

Affiche une seule lettre représentant la caméra. Touchez l'icône crayon pour modifier cette lettre.

Opérateur caméra

Affiche le nom de l'opérateur de la caméra. Touchez l'icône crayon pour modifier le nom de l'opérateur de la caméra.

Sortie vidéo de la caméra

Sortie de monitoring HD

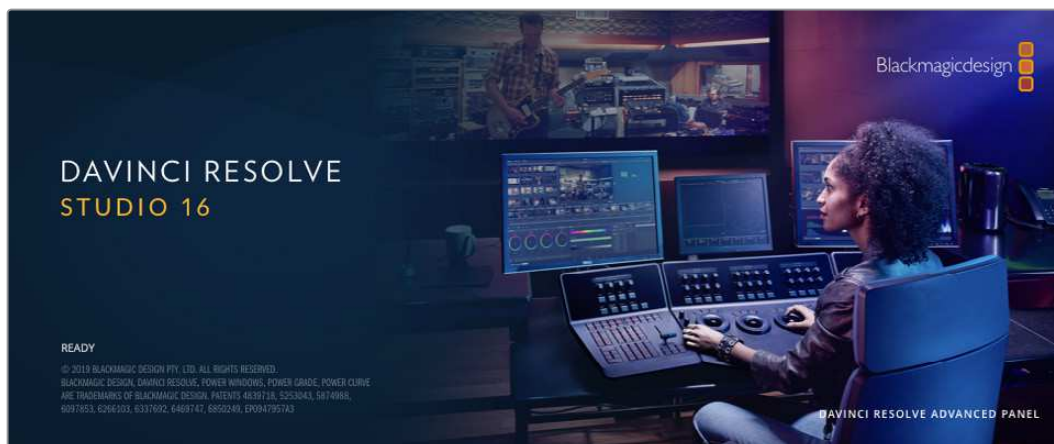
Les connecteurs HDMI de la caméra acheminent de la vidéo HD 1080p. Vous pouvez ainsi facilement prévisualiser vos images depuis des moniteurs ou depuis des écrans de télévision standard. La sortie 10 bits prend également en charge le HDR et l'affichage de tous les indicateurs de la caméra à l'écran, ce qui est parfait pour le monitoring sur le plateau.

Le monitoring HDMI peut être utile lorsque l'accès à l'écran LCD est difficile, par exemple lorsque la caméra est installée sur une grue ou dans un véhicule. Vous pouvez afficher les informations de monitoring sur votre sortie HDMI en les configurant dans les paramètres d'affichage HDMI. Les informations affichées à l'écran peuvent être des repères de cadrage ou des détails concernant l'enregistrement et les paramètres de la caméra. Si vous souhaitez simplement contrôler vos prises de vue, il vous suffit de régler les informations à l'écran sur Off pour obtenir une sortie HDMI propre.

En utilisant un Blackmagic Micro Converter HDMI to SDI, vous pouvez convertir les signaux en SDI. Vous pourrez ainsi vous connecter à des moniteurs, des appareils d'acquisition, des mélangeurs broadcast SDI ou tout autre appareil SDI. Le Blackmagic Micro Converter HDMI to SDI peut être alimenté via le port USB de la Blackmagic Pocket Cinema Camera.

Utiliser DaVinci Resolve

La production d'émissions télévisées ou de films avec votre Blackmagic Pocket Cinema Camera ne s'arrête pas au tournage. Il faut non seulement sauvegarder et organiser les médias mais aussi effectuer le montage, l'étalonnage et l'encodage des fichiers master. La Blackmagic Pocket Cinema Camera comprend une version du logiciel DaVinci Resolve Studio pour macOS et Windows, vous disposez ainsi d'une solution complète pour le tournage et la post-production !



REMARQUE Nous recommandons d'utiliser la dernière version du logiciel DaVinci Resolve pour obtenir un traitement des couleurs optimal sur les clips tournés avec des caméras Pocket Cinema Camera. La version 16 ou ultérieure prend en charge le nouveau codec Blackmagic RAW et offre un traitement des couleurs précis à toutes les caméras Blackmagic.

Après avoir connecté le SSD, la carte SD ou la carte CFast à votre ordinateur, vous pouvez utiliser l'outil **Clone** de DaVinci Resolve situé sur la page **Média** pour créer des sauvegardes en cours de tournage. Cela permettra d'éviter de perdre des prises à cause de dommages ou de défauts. Une fois que vous avez utilisé DaVinci Resolve pour sauvegarder vos médias, vous pouvez charger vos clips dans la bibliothèque de médias de DaVinci, puis monter, étalonner et finaliser votre projet sans quitter le logiciel.

DaVinci Resolve est utilisé pour produire la plupart des grosses productions hollywoodiennes. Il offre bien plus de fonctionnalités qu'un logiciel de montage non linéaire standard et intègre une technologie de pointe destinée à la création de longs métrages haut de gamme. Vous bénéficiez des avantages de cette technologie lorsque vous utilisez DaVinci Resolve pour le montage et l'étalonnage de vos travaux.

Vous trouverez ci-dessous des informations relatives à l'utilisation de DaVinci Resolve avec les fichiers enregistrés à l'aide de votre caméra. Il va sans dire que DaVinci Resolve est un outil ultra performant et que son interface utilisateur renferme de nombreuses fonctionnalités. Pour plus d'informations sur l'utilisation de DaVinci Resolve, veuillez consulter le manuel d'utilisation de DaVinci Resolve sur le site internet de Blackmagic. Vous y trouverez également plusieurs formations et tutoriels.

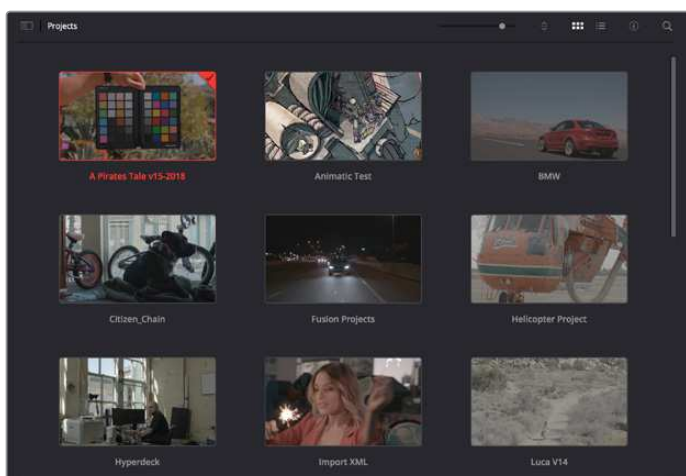
Gestionnaire de projet

Avant d'importer des clips et de commencer le montage, vous devez configurer votre projet à l'aide du Gestionnaire de projet.

Le Gestionnaire de projet est la première page qui s'affichera à l'écran lorsque vous lancez DaVinci Resolve, mais vous pouvez y accéder à tout moment en cliquant sur l'icône d'accueil située en bas à droite de l'interface. Il permet d'ouvrir d'anciens projets ou d'en créer de nouveaux.

Pour créer un nouveau projet, cliquez sur **Nouveau projet** en bas de la fenêtre, puis nommez le projet. Cliquez sur **Créer**.

En utilisant la page **Cut**, vous pouvez directement commencer le montage.



Le Gestionnaire de projet affiche tous les projets de l'utilisateur

Pour plus d'informations sur le Gestionnaire de projet, veuillez consulter le manuel DaVinci Resolve téléchargeable depuis la page d'assistance du site internet de Blackmagic Design.

Monter avec la page Cut

La page **Cut** offre un workflow de montage rapide et dynamique pour assembler, raccorder et monter vos clips de manière efficace.

Elle comprend deux timelines actives présentes simultanément à l'écran. La première affiche la totalité du montage, tandis que la deuxième offre une vue détaillée d'une zone en particulier. Ainsi, vous pouvez déposer vos clips dans la grande timeline, puis peaufiner votre montage dans la timeline détaillée, le tout au sein du même espace de travail. Grâce à ce workflow, vous pouvez monter vos clips depuis un ordinateur portable sans perdre de temps à zoomer ou à scroller dans la timeline.

Disposition de la page Cut

Lorsque vous ouvrez la page Cut, vous verrez la bibliothèque de médias, le viewer et la timeline.



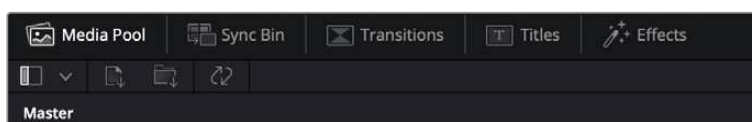
Disposition par défaut de la page Cut, avec la bibliothèque de médias affichée par vignette

Pour plus d'informations, veuillez consulter le chapitre « Using the Cut Page » du manuel DaVinci Resolve.

Onglets des médias

En haut à gauche de l'écran, vous trouverez cinq onglets.

Cliquez sur ces onglets pour ouvrir les outils que vous utiliserez pour réaliser votre montage. Par exemple, le premier onglet est la bibliothèque de médias, et elle est sélectionnée par défaut. Les autres onglets sont dédiés au Sync bin, aux transitions, aux titres et aux effets.



- **Bibliothèque de médias** : La bibliothèque de médias contient tous les clips, dossiers et fichiers que vous avez importés via la page Média. Vous pouvez également importer de nouveaux fichiers directement depuis la page Cut, pour éviter d'avoir à revenir sur la page Média.
- **Sync Bin** : Cette puissante fonction permet de synchroniser automatiquement tous vos clips via le timecode, la date et l'heure. Ainsi, vous pouvez choisir les angles depuis toutes les caméras sur un projet multicaméra.
- **Transitions** : En cliquant sur cet onglet, vous afficherez toutes les transitions vidéo et audio disponibles pour votre montage, dont les fondus enchaînés, les volets animés et d'autres transitions populaires.
- **Titres** : Cet onglet permet de sélectionner le type de titre de votre choix, comme un texte défilant ou un synthé. Vous pouvez également utiliser les modèles Fusion pour travailler avec des titres animés dynamiques, personnalisables depuis la page Fusion de DaVinci Resolve.
- **Effets** : Cet onglet affiche tous les filtres et effets que vous pouvez utiliser pour enrichir votre montage, comme des effets de flou, d'éclat et de flare personnalisables. Vous avez le choix parmi de nombreux effets, que vous pouvez retrouver facilement via l'outil de recherche.

CONSEIL Utilisez la barre de recherche pour retrouver facilement les éléments de votre choix. Par exemple, si l'onglet Transitions est sélectionné, entrez « Fondu » dans l'outil de recherche pour afficher uniquement les transitions de type fondu dans le viewer.




Icônes du viewer

En haut à gauche de la fenêtre du viewer, vous trouverez les boutons des modes du viewer.



Boutons des modes du viewer

Ces boutons permettent de contrôler quel mode du viewer est utilisé parmi **Plan source**, **Bande source** et **Timeline**. Ces modes du viewer offrent énormément d'options de contrôle lorsque vous sélectionnez les clips pour votre montage.



	Plan source	Le viewer Plan source affiche un seul clip depuis la bibliothèque de médias et vous pouvez régler des points d'entrée et de sortie sur toute la longueur de la timeline du viewer. Cette option vous offre davantage de contrôle. Sélectionnez un clip source à visualiser en double-cliquant sur un clip dans la bibliothèque de médias, ou en le faisant glisser dans le viewer.
	Bande source	Le mode Bande source permet de visionner tous les clips source dans la bibliothèque de médias. C'est très pratique pour rechercher rapidement un moment précis parmi tous vos clips. Alors que vous survolez les clips avec la tête de lecture, leurs vignettes sont sélectionnées dans la bibliothèque de médias. Ainsi, lorsque vous avez trouvé le clip que vous souhaitez monter, vous pouvez cliquer sur l'icône Plan source et son clip source correspondant apparaîtra automatiquement dans le viewer. Ce mode vous offre la liberté de travailler sur votre montage, de rechercher rapidement des prises, de tester de nouvelles idées tout en restant dans le moment.
	Timeline	Le viewer Timeline permet de voir la timeline de montage pour lire votre projet et peaufiner vos montages.

Importer des clips dans la bibliothèque de médias

Vous pouvez désormais commencer à importer des médias dans votre projet. Pour cela, utilisez les outils d'importation situés au-dessus de la bibliothèque de médias de la page Cut.



Sélectionnez une des options d'importation pour ajouter des médias à votre projet

	Importer un média	Cette option permet d'importer des fichiers de média individuellement depuis votre espace de stockage.
	Importer un dossier	Cette option permet d'importer un dossier depuis votre espace de stockage. Lors de l'importation d'un dossier, DaVinci Resolve conserve la structure des fichiers, traitant chaque dossier comme un chutier séparé. Ainsi, vous pourrez naviguer entre les chutiers pour retrouver vos vidéos et autres médias.

Pour importer des médias :

- 1 Cliquez sur l'icône d'importation d'un média ou d'un dossier.
- 2 Naviguez dans votre espace de stockage pour retrouver le média de votre choix.
- 3 Sélectionnez le fichier ou le dossier, puis cliquez sur **Ouvrir**.

Une fois les médias ajoutés à votre projet, pensez à sauvegarder vos changements. DaVinci Resolve comprend une fonctionnalité de sauvegarde automatique très rapide, appelée Enregistrement continu. Après avoir manuellement sauvegardé votre projet une première fois, l'enregistrement continu sauvegardera les prochaines modifications en temps réel. Ainsi, vous ne perdrez jamais votre travail.

Pour plus d'informations sur l'enregistrement continu et les autres fonctionnalités de sauvegarde, veuillez consulter le manuel DaVinci Resolve.

Ajouter des clips à la timeline

Maintenant que vous êtes familiarisé avec l'onglet des médias et les modes du viewer, vous pouvez ouvrir la bibliothèque de médias et ajouter rapidement des clips à votre timeline.



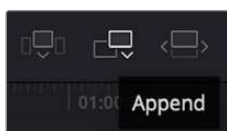
La timeline supérieure et la timeline inférieure zoomée de la page Cut

La timeline est l'endroit où vous allez effectuer votre montage. C'est comme un tableau avec des pistes sur lequel vous pouvez ajouter, déplacer et rogner des clips. Les pistes vous permettent de créer différentes couches pour superposer les clips. Ainsi, vous avez davantage de flexibilité pour essayer différents montages et pour créer des transitions et des effets. Par exemple, vous pouvez essayer un montage sur un clip d'une piste, sans que cela n'affecte les autres clips de la piste du dessous.

Vous pouvez ajouter des clips à la timeline de différentes façons, en utilisant par exemple les modes Insertion intelligente, Ajouter à la fin ou Placer au-dessus.

Ajouter des clips à la fin

Lorsque vous sélectionnez des prises et que vous créez un montage, vous voudrez probablement ajouter ces prises à votre timeline les unes après les autres. L'outil Ajouter à la fin est parfait pour cela, car il vous permettra de monter vos clips rapidement.



Cliquez sur l'icône Ajouter à la fin pour placer un clip à la fin du dernier clip

Pour ajouter un clip à la fin :

- 1 Double-cliquez sur un clip pour l'ouvrir dans le viewer.
- 2 À l'aide de l'outil scratch trim, réglez les points d'entrée et de sortie pour sélectionner la durée précise de votre prise. Vous pouvez également régler les points en appuyant sur les touches « i » ou « o » de votre clavier.

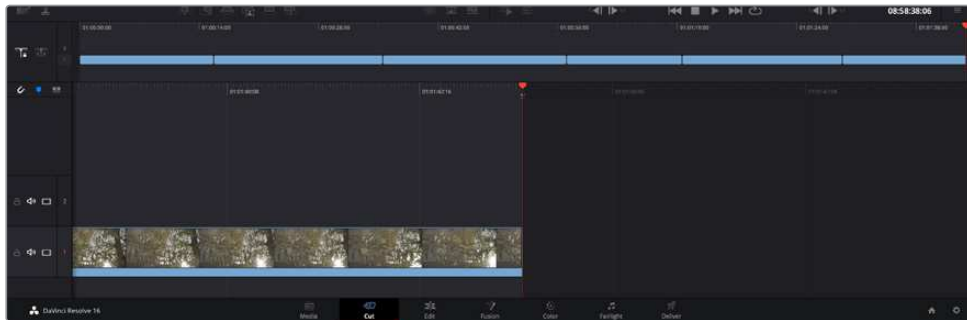


- 3 Cliquez sur l'icône **Ajouter à la fin** située dans la barre au-dessous de la bibliothèque de médias.



Votre premier clip sera placé au début de la timeline.

Répétez les étapes 1 à 3 pour ajouter des clips les uns après les autres, sans laisser d'espace entre eux.



En ajoutant des clips à la fin, vous n'aurez pas d'espace vide entre les clips

CONSEIL Vous pouvez travailler plus rapidement en assignant un raccourci clavier à la fonction **Ajouter à la fin**. Par exemple, en assignant la touche « p » à cette fonction, vous pouvez régler les points d'entrée et de sortie avec les touches « i » et « o », puis directement appuyer sur « p » pour ajouter le clip à la fin. Pour plus d'informations sur les raccourcis clavier, veuillez consulter le manuel DaVinci Resolve.

Monter des clips dans la timeline

Une fois les clips ajoutés dans la timeline, vous pouvez les déplacer et effectuer des raccords comme bon vous semble.

Pour rogner un clip, survolez le début ou la fin d'un clip avec votre souris, puis cliquez et faites glisser la souris vers la gauche ou la droite. Par exemple, glissez vers la gauche pour réduire sa durée, ou vers la droite pour l'augmenter. Vous remarquerez qu'après cette action, tous les clips seront déplacés dans la timeline pour s'adapter au nouvel ajustement. C'est une des nombreuses fonctionnalités de la page Cut qui vous permettra de gagner du temps.

Vous pouvez même remonter le clip pour le déposer dans une nouvelle piste vidéo dans la grande timeline sans avoir à zoomer ou à dézoomer. Vous perdrez ainsi moins de temps à naviguer dans une longue timeline.

Après avoir monté vos clips avec la page Cut, vous pouvez insérer un titre. La section suivante vous montrera comment ajouter un titre.

Ajouter des titres

Il est très facile d'insérer différents types de titres dans votre timeline.

Pour cela, cliquez sur l'onglet **Titres** en haut à gauche de l'écran. La fenêtre de sélection affichera la liste de tous les types de titres disponibles. Vous pouvez choisir un texte à afficher sur le tiers inférieur, en défilement, ou encore un texte standard. Vous pouvez même ajouter des titres animés Fusion personnalisables.

Essayons d'ajouter un texte standard.

Pour ce faire :

- 1 Cliquez sur le titre **Texte** et faites-le glisser dans la timeline. La timeline n'a pas d'importance, mais pour plus de précision, utilisons la timeline détaillée. Le titre va automatiquement créer une nouvelle piste vidéo pour le titre et va s'aimer à la tête de lecture.
- 2 Relâchez la souris et le titre va apparaître sur la nouvelle piste. Vous pouvez désormais le déplacer ou changer sa durée, comme pour un clip vidéo.
- 3 Pour modifier un titre, cliquez sur celui-ci pour faire apparaître l'icône **Outils** sous le viewer du clip. Cliquez sur l'icône **Outils**.

Une liste d'outils va s'afficher pour modifier le titre du clip, comme Transformation, Rogner, Zoom dynamique et bien plus. Pour cet exemple, cliquez sur l'outil **Titre**.

- 4 Maintenant, cliquez sur **Ouvrir l'inspecteur**.

La fenêtre de l'Inspecteur va s'ouvrir, dans laquelle vous pouvez saisir le titre et configurer le tracking, l'espacement entre les lignes, la police, la couleur et autres réglages.

Vous avez de nombreuses options à disposition pour personnaliser votre titre. Nous vous conseillons de jouer avec les différents réglages pour voir comment cela modifie le titre.

Travailler avec des fichiers Blackmagic RAW

Les clips Blackmagic RAW offrent une grande flexibilité en post-production. Cela vous permet de faire des changements sur les clips, tels que la balance des blancs et l'ISO, comme si vous les faisiez dans les paramètres de la caméra. Le Blackmagic RAW offre également davantage d'informations tonales dans les ombres et dans les hautes lumières. Ceci est particulièrement utile pour récupérer les détails d'un ciel surexposé ou dans les zones d'ombre de l'image.

Si vous souhaitez obtenir la meilleure qualité possible ou si vous tournez des séquences comportant des contrastes importants entre les hautes lumières et les zones d'ombre, le Blackmagic RAW répondra parfaitement à vos exigences.

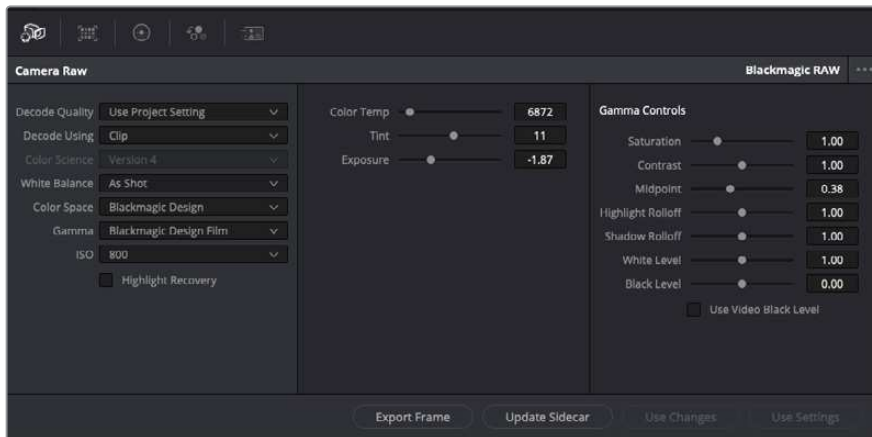
Grâce à la vitesse et à la petite taille de fichier du Blackmagic RAW, il n'est pas nécessaire de créer des fichiers proxy. La lecture est donc identique à celle d'un clip vidéo standard. Cette section du manuel décrit les fonctionnalités du Blackmagic RAW et la façon d'utiliser les fichiers Blackmagic RAW dans votre workflow DaVinci Resolve.

CONSEIL Nous vous recommandons d'ajuster les réglages Blackmagic RAW pour vos clips sur la page **Étalonnage** avant de les étalonner.

Paramètres des clips pour le Blackmagic RAW

Quand vous importez des fichiers Blackmagic RAW, DaVinci Resolve décode les données de la caméra contenues dans les fichiers, notamment l'ISO, la balance des blancs et la teinte. Si les images vous plaisent, vous pouvez d'ores et déjà commencer le montage.

L'avantage de travailler au format Blackmagic RAW, c'est que vous pouvez changer ces réglages! En effet, le nombre d'options pour le traitement des fichiers Blackmagic RAW vous permet de mettre au point votre propre workflow. En utilisant les paramètres **Plan** de diverses façons pour chaque clip dans l'onglet **Caméra RAW**, vous comprendrez à quel point le travail en Blackmagic RAW est performant et polyvalent.



Dans l'onglet Caméra RAW, sélectionnez Plan dans le menu déroulant Dématricier avec pour régler les paramètres Blackmagic RAW des clips.

Une fois que les paramètres des clips pour le Blackmagic RAW sont activés dans DaVinci, ces derniers ainsi que les commandes de gamma sont modifiables. Ajuster ces paramètres pour optimiser vos clips équivaut presque à un étalonnage primaire. C'est encore plus performant lorsque vous utilisez les scopes de DaVinci Resolve, car ils vous permettent de neutraliser et d'équilibrer les clips pour les préparer à un étalonnage plus poussé.

Vous trouverez ci-dessous une description des commandes relatives aux clips et au gamma.

ISO

La valeur ISO peut être modifiée en augmentant ou en diminuant ce paramètre. C'est très utile pour éclaircir ou assombrir le clip et ensuite l'optimiser.

Récupération des hautes lumières

Cochez cette case pour récupérer des informations dans les hautes lumières dans les canaux écrêtés en utilisant les informations des canaux non écrêtés.

Température

Ajustez la commande de température de la couleur pour réchauffer ou refroidir les tons de l'ensemble de l'image. Ce paramètre peut être utilisé pour neutraliser la balance des couleurs de chaque image.

Teinte

Ajustez ce paramètre pour ajouter du vert ou du magenta à l'image afin d'équilibrer les couleurs.

Exposition

Utilisez ce paramètre pour affiner la luminosité générale de l'image.

Saturation

Le curseur de saturation est réglé sur 1 par défaut. Vous pouvez la réduire jusqu'à -1 pour une saturation minimale et l'augmenter jusqu'à +4 pour une saturation maximale.

Contraste

Le curseur de contraste est réglé sur 1 par défaut. Vous pouvez le réduire jusqu'à 0 pour un contraste minimal et l'augmenter jusqu'à 2 pour un contraste maximal.

Point central

En mode Blackmagic Design Film, la valeur des tons moyens est réglée par défaut sur 0.38 ou 38.4%. Ajustez le curseur vers la gauche pour la réduire ou vers la droite pour l'augmenter jusqu'à 100%. Lorsque le contraste n'est pas réglé par défaut, vous pouvez modifier le roll-off des hautes lumières et des ombres.

Affaiblissement (roll-off) des hautes lumières

Le curseur d'ajustement des hautes lumières est réglé sur 1 par défaut. Vous pouvez les atténuer jusqu'à 0 en déplaçant le curseur vers la gauche, ou les augmenter jusqu'à 2 en déplaçant le curseur vers la droite. Par défaut, ce paramètre est réglé sur 1.

Affaiblissement (roll-off) des basses lumières

Déplacez le curseur d'ajustement des ombres vers la gauche pour les atténuer jusqu'à 0, ou vers la droite pour les augmenter jusqu'à 2.

Niveau blancs

Ajustez le point blanc de la courbe de gamma en déplaçant le curseur. Les valeurs maximales et minimales sont respectivement de 2 et 0. La valeur par défaut est de 1.

Niveau noirs

Ajustez le point noir de la courbe de gamma en déplaçant le curseur. Les valeurs maximales et minimales sont respectivement de 1 et -1. La valeur par défaut est de 0.

Utiliser les niveaux vidéo de noir

Cochez cette case pour régler vos niveaux de noir sur Video.

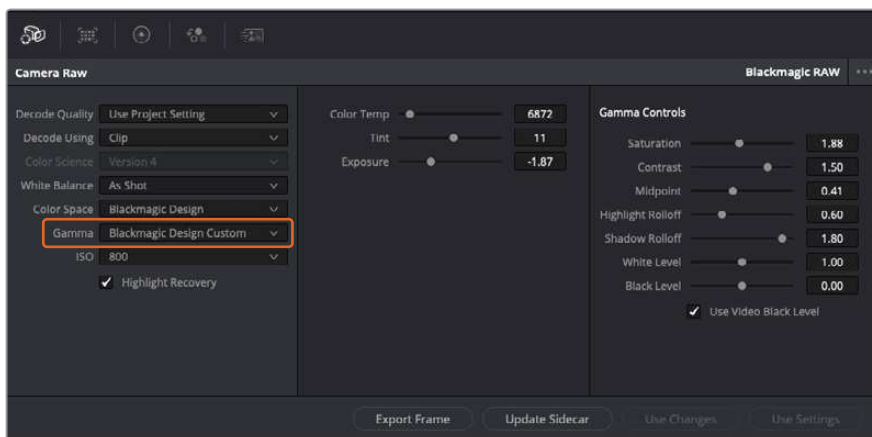
Exporter l'image

En cliquant sur le bouton **Exporter l'image**, vous pouvez exporter une seule image du clip Blackmagic RAW.

Mettre à jour le Sidecar

Cliquez sur ce bouton pour mettre à jour le fichier sidecar Blackmagic RAW pour le clip actuel.

Lorsque vous effectuez des modifications sur vos clips Blackmagic RAW, le paramètre Gamma sera réglé sur Blackmagic Design Custom.



Si vous souhaitez restaurer vos clips sur un paramètre Gamma par défaut, sélectionnez une option dans le menu déroulant.

CONSEIL Les commandes Gamma sont désactivées lorsque vous filmez avec une plage dynamique Video, mais vos données Blackmagic RAW ne sont pas perdues. Sélectionnez Blackmagic Design Film ou Blackmagic Design Extended Video depuis le menu déroulant du paramètre Gamma et effectuez vos ajustements.

Sauvegarder les changements Blackmagic RAW

- 1 Réglez les commandes Gamma pour votre clip Blackmagic RAW.
- 2 Cliquez sur le bouton **Mettre à jour le Sidecar**.

Un fichier **Sidecar** est créé dans le même dossier que votre fichier .braw. Lorsqu'un autre utilisateur importe les fichiers Blackmagic RAW, le fichier sidecar sera automatiquement lu par DaVinci Resolve. Si vous effectuez des modifications supplémentaires, appuyez une nouvelle fois sur **Mettre à jour le Sidecar**.

CONSEIL Pour supprimer un fichier sidecar, effacez-le de son emplacement dans votre lecteur de média.

Paramètres du projet pour le Blackmagic RAW

Si vous souhaitez modifier un paramètre commun à tous les clips, par exemple la balance des blancs ou l'ISO, vous pouvez régler les clips afin qu'ils utilisent les paramètres **Caméra RAW** du projet. Vous pourrez ainsi apporter des changements à plusieurs clips en même temps.

Régler les paramètres du projet pour le Blackmagic RAW :

- 1 Ouvrez le menu de paramétrage du projet, en cliquant sur **Fichier** puis sur **Paramètres du projet**.
- 2 Dans l'onglet **Caméra RAW**, vous trouverez un menu déroulant près du profile RAW. Cliquez sur la flèche pour sélectionner Blackmagic RAW depuis la liste.
- 3 Dans le menu déroulant **Dématricer avec**, sélectionnez **Projet**.
- 4 Réglez la **Balance des blancs** sur **Personnaliser**.
- 5 Dans le menu déroulant **Gamma**, sélectionnez **Blackmagic Design Custom**. Réglez l'espace de couleurs sur **Blackmagic Design**. Cette opération réglera également le paramètre Gamma sur **Blackmagic Design Film**.
- 6 Choisissez votre résolution depuis le menu **Qualité de dématricage**. Une basse résolution vous permettra d'améliorer la lecture sur des systèmes aux performances limitées. Pour un rendu optimal, vous pouvez changer la résolution plus tard, avant l'exportation.

Vous pouvez désormais ajuster les paramètres de la caméra tels que la saturation, le contraste et les tons moyens. Cela s'appliquera à tous les clips de votre projet réglés sur **Dématricer avec Projet**.

Étalonner vos clips avec la page Étalonnage

Une fois vos clips dans la timeline et vos titres ajoutés, vous pouvez commencer à étalonner vos images depuis la page **Étalonnage**. C'est une page très puissante qui vous permettra de définir le look général de votre film. Pour cet exemple, il est conseillé de commencer par rendre vos clips neutres afin qu'ils soient consistants. Vous pouvez également retourner sur les pages **Cut** ou **Montage** à tout moment pour effectuer des modifications dans votre montage.

La page Étalonnage vous permet d'ajuster le look de votre montage. L'étalonnage est un art en soi à bien des égards, car il permet d'ajouter une réelle émotion à votre travail. C'est une partie extrêmement créative de votre workflow et, une fois les techniques acquises, il n'y a rien de plus gratifiant que de voir vos images prendre vie ! C'est généralement la première étape, appelée correction colorimétrique primaire. Ensuite, vous pourrez passer à la correction colorimétrique secondaire, où vous pourrez faire des ajustements de couleur extrêmement précis sur des objets spécifiques dans vos images. La correction colorimétrique secondaire est très amusante, mais comme son nom l'indique, elle est généralement effectuée dans un deuxième temps pour obtenir de meilleurs résultats.

Commencez par cliquer sur l'onglet **Étalonnage** afin d'ouvrir la page Étalonnage.

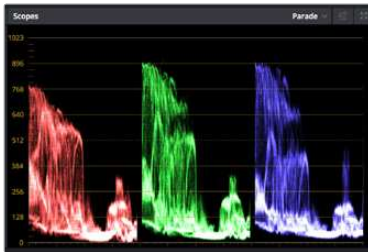
Cette page contient les réglages Caméra RAW, les roues chromatiques, les palettes de courbes, des outils d'étalonnage de base ainsi qu'une fenêtre de prévisualisation et une fenêtre contenant les noeuds. Ne soyez pas intimidés par les nombreuses fonctionnalités proposées sur cette page, car

elles sont là pour vous aider à obtenir des images époustouflantes. Dans cette section vous découvrirez les bases, mais pour des informations plus détaillées, veuillez consulter les sections spécifiquement dédiées à l'étalonnage dans le manuel. Il vous indiquera clairement à quoi ces outils servent et comment les utiliser. Vous apprendrez ainsi les techniques que les professionnels utilisent dans les studios d'étalonnage haut de gamme.

En général, la première étape de la correction colorimétrique primaire consiste à optimiser le niveau des ombres, des tons moyens et des hautes lumières dans vos clips. En d'autres termes, il faut ajuster les paramètres **Lift**, **Gamma** et **Gain**. Vous obtiendrez ainsi des images optimales pour débiter la phase d'étalonnage et obtenir l'esthétique souhaitée pour votre film. Les scopes s'avèrent très pratiques pour optimiser les niveaux.

Utiliser les scopes

Les étalonneurs réalisent les corrections colorimétriques en fonction de l'émotion et du rendu qu'ils veulent donner aux programmes sur lesquels ils travaillent et n'utilisent en général qu'un simple écran pour effectuer les changements. Vous pouvez vous inspirer d'objets de tous les jours et la façon dont l'éclairage s'y reflète pour vos différents projets.



Le scope Parade vous permet d'optimiser les tons clairs, les tons moyens et les ombres

Mais il existe d'autres façons d'étalonner un film, notamment en s'aidant des scopes intégrés à DaVinci Resolve. Vous pouvez ouvrir un seul scope vidéo en cliquant sur le bouton **Scope** (le deuxième bouton à partir de la droite sur la barre d'outils). Vous avez le choix entre les scopes suivants : Oscilloscope (forme d'onde), Parade, Vecteurscope et Histogramme. Grâce à ces scopes, vous pouvez contrôler l'équilibre des tons, les différents niveaux de la vidéo sans écraser les noirs ni écrêter les blancs, mais aussi contrôler la dominance des couleurs de vos clips.

La palette **Roues chromatiques** contient les commandes **Lift**, **Gamma** et **Gain** qui vous permettent d'effectuer les premiers ajustements. Si vous avez déjà fait de l'étalonnage, ces roues chromatiques ressemblent sûrement aux commandes que vous avez pu voir dans d'autres applications pour ajuster les couleurs et le contraste.



Les roues chromatiques **Lift**, **Gamma**, **Gain** et **Offset** vous offrent un contrôle complet sur l'équilibre des couleurs et des tons de vos clips. Pour régler toutes les couleurs de façon identique, tournez la roue située sous les roues chromatiques

Pour un contrôle précis de chaque couleur, utilisez la souris. Vous pouvez régler les roues chromatiques sur **Barres primaires**, ce qui vous permet de régler séparément les canaux de couleurs et de luminosité pour le lift, le gamma et le gain. Sélectionnez simplement **Barres primaires** dans le menu déroulant situé en haut à droite des roues chromatiques.

- **Ajuster le Lift** : Après avoir sélectionné votre clip dans la timeline de la page Étalonnage, cliquez sur la roue **Lift** située sous la première roue chromatique. Faites-la tourner vers la gauche ou vers la droite pour constater les modifications apportées à l'image. Vous verrez que la luminosité des zones d'ombres de votre image augmente et diminue.
Réglez-la afin d'optimiser les zones d'ombres. Si vous baissez trop le Lift, certains détails des noirs disparaissent. Utilisez le scope Parade pour éviter que cela ne se produise. La position optimale des noirs sur le graphique se situe juste au-dessus de la ligne inférieure du scope Parade.
- **Ajuster le Gain** : Cliquez sur la roue **Gain** et faites-la tourner vers la gauche ou vers la droite. Cette roue règle les tons clairs, zones les plus lumineuses de l'image. Les tons clairs sont affichés dans la section supérieure du graphique dans le scope Parade. Pour une scène très lumineuse, la position optimale se situe juste en dessous de la ligne supérieure du scope Oscilloscope. Si les tons clairs dépassent la ligne supérieure de ce scope, ils sont écrêtés et les zones les plus claires perdent alors beaucoup de détails.
- **Ajuster le Gamma** : Cliquez sur la roue **Gamma** située sous la roue chromatique et faites-la tourner vers la gauche ou vers la droite. Si vous augmentez le gamma, la luminosité de l'image augmente et en fonction du réglage, la partie centrale de la roue change également. Cette partie représente les tons moyens du clip. La position optimale des tons moyens se situe généralement entre 50 et 70 % de l'affichage de la forme d'onde. Ceci n'est qu'une indication, car le réglage dépend surtout du rendu que vous souhaitez obtenir et des conditions d'éclairage du clip.

Vous pouvez également utiliser la palette Courbes pour faire vos corrections colorimétriques primaires. Pour créer des points de contrôle, il suffit de cliquer sur la ligne diagonale dans le graphique Courbes. Vous pouvez ensuite les déplacer vers le haut ou vers le bas pour ajuster le contraste RVB principal et obtenir différentes tonalités dans l'image. Le réglage optimal se situe dans le champ du tiers inférieur, du milieu et du tiers supérieur de la courbe.

Il existe différentes façons de faire de la correction colorimétrique primaire dans DaVinci Resolve.



La palette Courbes est un autre outil que vous pouvez utiliser pour faire de la correction colorimétrique primaire ou pour travailler certaines zones du clip avec une Power Window

Correction colorimétrique secondaire

Si vous souhaitez corriger une partie spécifique de l'image, vous devrez utiliser les corrections secondaires. Les corrections que vous avez apportées jusqu'à présent à l'aide des réglages Lift, Gain et Gamma affectent l'intégralité de l'image, il s'agit donc de corrections colorimétriques primaires.

Cependant, si vous ne voulez modifier que certaines parties de l'image, comme la couleur de l'herbe dans une scène, ou la couleur du ciel, il faut alors utiliser les fonctions de correction colorimétrique secondaire. En effet, ces fonctions permettent de sélectionner et de ne modifier qu'une partie de l'image. Grâce aux nœuds, vous pouvez superposer plusieurs corrections et ainsi travailler l'image à la perfection ! Vous pouvez également utiliser les fenêtres et le tracking pour que la correction suive la partie de l'image sélectionnée.

Sélection d'une couleur

Vous avez sans doute pu constater qu'il est souvent nécessaire de changer la couleur d'un seul élément de l'image, par exemple l'herbe sur le côté de la route, le bleu du ciel, ou tout autre élément sur lequel vous souhaitez attirer le regard du spectateur. Pour effectuer ces modifications, il est utile d'utiliser l'outil sélecteur HSL.



Utiliser les sélecteurs HSL pour sélectionner les couleurs de vos images est très pratique lorsque vous voulez mettre en valeur certaines zones de l'image, ajouter du contraste ou attirer l'attention des spectateurs sur une partie de l'image.

Pour sélectionner une couleur :

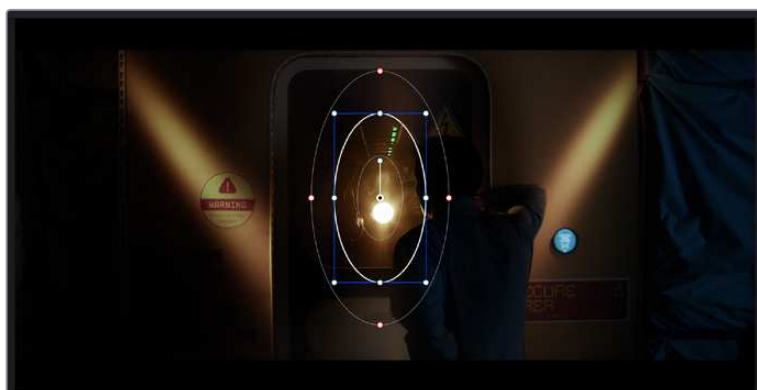
- 1 Créez un nouveau nœud Série.
- 2 Ouvrez la palette **Sélecteur** et vérifiez que la pipette d'échantillonnage **Plage de sélection** est bien sélectionnée.
- 3 Cliquez sur la couleur du clip que vous souhaitez modifier.
- 4 Il est en général nécessaire d'adoucir les contours afin de limiter la sélection à la couleur souhaitée. Pour visualiser votre sélection, cliquez sur le bouton **Masque** situé au-dessus du viewer.
- 5 Dans la fenêtre **Teinte**, réglez la commande **Largeur** pour élargir ou réduire la sélection.

Amusez-vous avec les commandes **Haut**, **Bas** et **Soft** afin d'affiner votre sélection. Vous pouvez désormais corriger les couleurs sélectionnées à l'aide des roues chromatiques ou des courbes personnalisées.

Parfois, les zones de sélection peuvent déborder sur des zones que vous ne souhaitez pas modifier. Il est alors facile de masquer ces zones à l'aide des Power Windows. Créez simplement une nouvelle Power Window et donnez-lui la forme de la zone que vous souhaitez modifier. Si la couleur sélectionnée bouge au cours de la prise, vous pouvez utiliser la fonction de tracking pour suivre la Power Window.

Ajouter une Power Window

Les Power Windows sont des outils de correction colorimétrique extrêmement efficaces que vous pouvez utiliser pour isoler certaines zones de vos clips. Ces fenêtres dynamiques suivent les mouvements de la caméra ou des zones sélectionnées.



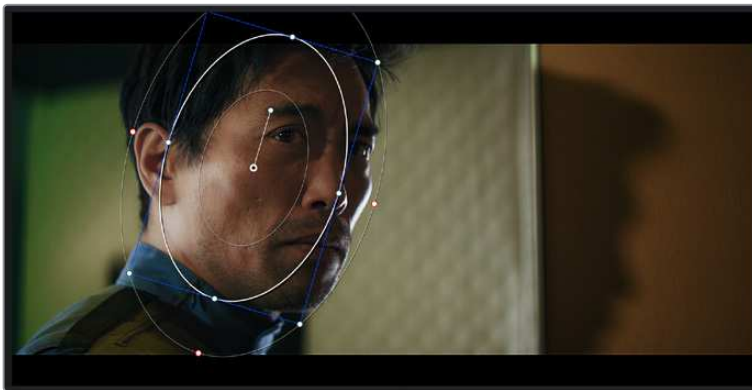
Utilisez les Power Windows pour masquer les zones que vous ne souhaitez pas modifier avec les sélecteurs HSL.

Vous pouvez, par exemple, créer une fenêtre qui suivra les mouvements d'une personne afin de changer le contraste et les couleurs sans affecter les zones alentour. Grâce à ces modifications, vous attirez l'attention du spectateur vers la zone de votre choix.

Ajouter une Power Window à votre clip :

- 1 Créez un nouveau nœud Série.
- 2 Ouvrez la palette **Power Window** et sélectionnez la forme en cliquant sur l'une d'entre elles. La fenêtre de la forme apparaît sur le nœud.
- 3 Redimensionnez la forme à l'aide des points bleus qui entourent la forme. Les points rouges permettent de régler le flouté du contour. Vous pouvez repositionner correctement la forme à l'aide du point central. Faites pivoter la fenêtre à l'aide du point relié au point central.

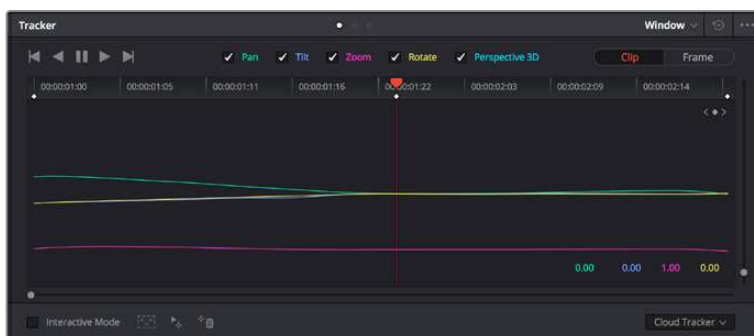
Vous pouvez désormais corriger les couleurs de la zone sélectionnée.



Les Power Windows vous permettent d'effectuer des corrections secondaires sur certaines zones de l'image.

Tracking d'une Power Window

Lorsque la caméra, l'objet ou la zone de votre prise bougent, utilisez l'outil de tracking disponible dans DaVinci Resolve pour garantir le tracking complet de la zone sélectionnée. Le Tracker analyse les mouvements de la caméra ou de l'objet pour que la fenêtre s'adapte à ces mouvements. Si vous n'activez pas cette fonction, la correction pourrait ne pas s'appliquer à la zone sélectionnée et produire un effet indésirable.



Pour que les Power Windows suivent les mouvements de certains objets ou certaines zones du clip, vous pouvez créer un suivi à l'aide de la fonction Tracking

Suivre un objet à l'aide d'une fenêtre :

- 1 Créez un nouveau nœud série et ajoutez une Power Window.
- 2 Placez le curseur au début du clip, puis positionnez et dimensionnez la fenêtre pour ne sélectionner que l'objet ou la zone souhaités.
- 3 Ouvrez la palette **Tracker**. Cochez ou décochez les cases Pan, Tilt, Zoom et Perspective 3D en fonction des mouvements du clip.
- 4 Cliquez sur la flèche de lecture située à gauche des cases de sélection. DaVinci Resolve applique un ensemble de points de suivi à votre clip qui analyse les mouvements de chaque image. Lorsque le suivi est terminé, la Power Window suit le mouvement de l'objet dans le clip.

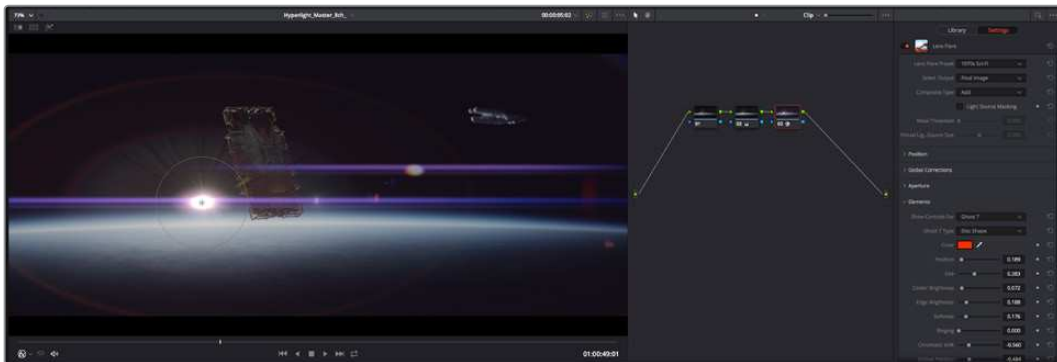
En général, le suivi automatique fonctionne sans problème, cependant, certaines scènes peuvent être complexes ou des objets peuvent se trouver devant la zone sélectionnée et ainsi interrompre ou affecter le suivi. Ce problème peut être résolu à l'aide de l'éditeur d'image. Consultez le manuel DaVinci Resolve pour en savoir plus.

Utilisation de plug-ins

Les corrections colorimétriques secondaires peuvent être effectuées à l'aide de plug-ins ResolveFX ou OpenFX, qui permettent de créer des rendus rapides et des effets innovants au sein de la page **Étalonnage**. Il est également possible d'ajouter des transitions et des effets à vos clips au sein de la page **Montage**. Les effets ResolveFX sont fournis avec DaVinci Resolve. Les plug-ins OFX sont disponibles sur des sites fournisseurs tiers.

Vous pouvez accéder aux plug-ins OFX, une fois installés, et aux plug-ins ResolveFX, en allant sur la page **Étalonnage** et en ouvrant le panneau OpenFX (situé à droite de l'éditeur de nœuds). Une fois que vous avez créé un nouveau nœud Série, cliquez sur le bouton **OpenFX** pour ouvrir la bibliothèque d'effets, puis faites glisser un plug-in dans le nœud. Si le plug-in dispose de paramètres modifiables, vous pouvez le configurer dans le panneau **Paramètres** situé sur le côté.

Dans la page **Montage**, vous pouvez ajouter des plug-ins filtres, générateurs et transitions aux clips en ouvrant le panneau **OpenFX** dans **Bibliothèque d'effets**. Faites ensuite glisser le plug-in sélectionné sur le clip ou sur la piste au-dessus du clip dans la timeline, selon les besoins du plug-in.



Les plug-ins OFX sont des solutions rapides et faciles pour créer des rendus créatifs et innovants.

Mixer l'audio

Mixer l'audio dans la page Montage

Une fois le montage et l'étalonnage finalisés, vous pouvez commencer à mixer l'audio. DaVinci Resolve possède de nombreux outils pour le montage, le mixage et le mastering audio de vos projets, accessibles directement sur la page Montage. Si vous avez besoin de fonctionnalités audio plus avancées, la page Fairlight vous offre un environnement de post-production audio complet. Si vous êtes familier avec la page Montage et que vous souhaitez directement passer à la page Fairlight, consultez la section suivante.

Ajouter des pistes audio

Si vous travaillez sur la page Montage et que vous souhaitez ajouter des effets et de la musique à un montage son, vous pouvez facilement ajouter des pistes audio selon vos besoins. C'est très pratique lorsque vous voulez séparer vos éléments audio en plusieurs pistes indépendantes, comme les dialogues, les effets sonores et la musique.

Pour ajouter des pistes audio dans la page Montage

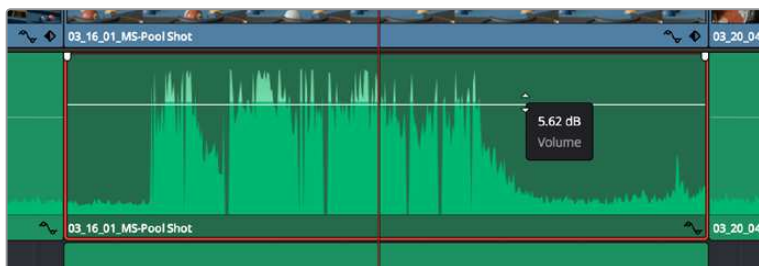
Faites un clic droit à côté du nom de n'importe quelle piste audio de votre timeline, sélectionnez **Ajouter une piste** et choisissez entre les options **Mono**, **Stéréo** et **5.1**. Cette piste sera alors ajoutée en bas de la liste de pistes. Si vous voulez choisir la position de la piste ou de plusieurs pistes dans la liste, sélectionnez **Ajouter une piste** puis choisissez l'emplacement.

La nouvelle piste audio apparaît sur la timeline.

CONSEIL Pour changer le type de piste après l'avoir créée, faites un clic droit sur le nom de la piste, sélectionnez **Mettre la piste en**, puis choisissez le type de piste audio de votre choix. Par exemple, Stéréo, Mono ou 5.1.

Ajuster les niveaux audio dans la Timeline

Le niveau du volume de chaque clip audio est affiché. Vous pouvez l'ajuster en montant ou en descendant le pointeur. Cet affichage correspond aux paramètres de volume de l'inspecteur.

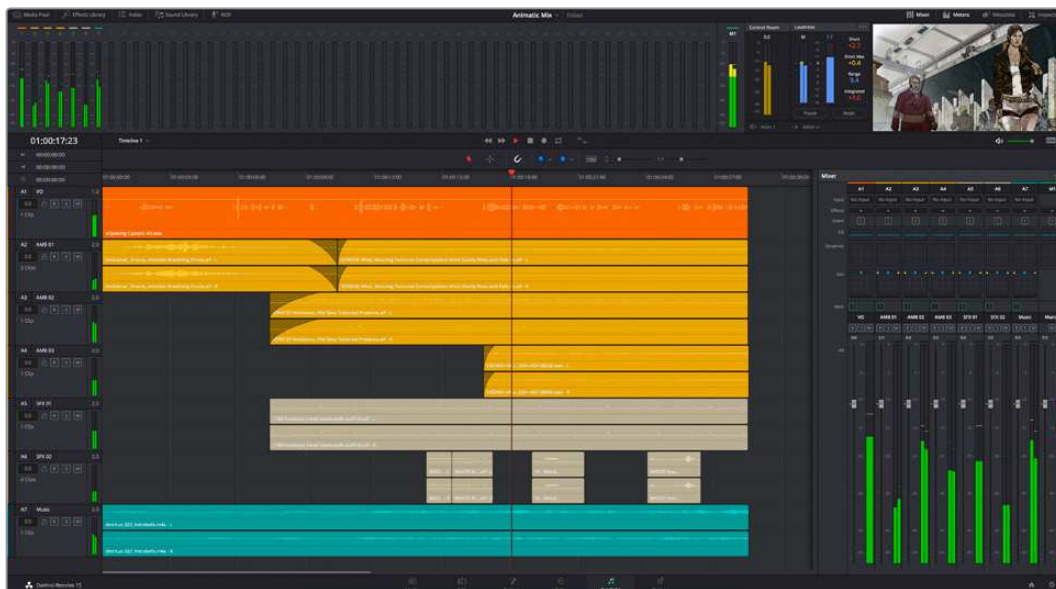


Ajuster le niveau du clip en faisant glisser le pointeur de volume

Si vous avez besoin de fonctionnalités audio plus avancées, la page Fairlight vous offre un environnement de post-production audio complet.

La page Fairlight

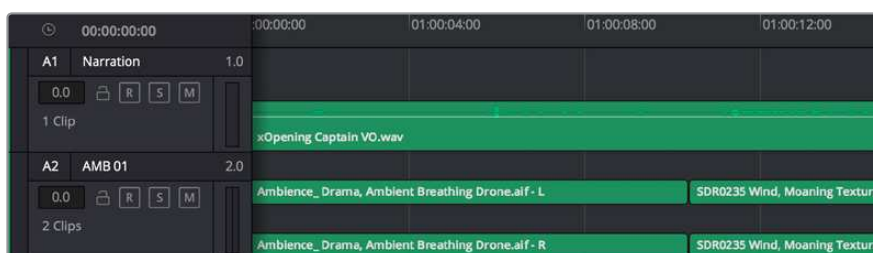
La page **Fairlight** de DaVinci Resolve vous permet d'ajuster vos projets audio. Lorsque vous travaillez avec un seul moniteur, la page Fairlight vous offre un affichage optimisé des pistes audio de votre projet. Vous disposez d'un mixeur complet et de commandes de monitoring personnalisées qui vous permettent d'évaluer et d'ajuster les niveaux audio pour créer un mix fluide et harmonieux. Ne vous laissez pas intimider par le nombre de fonctionnalités présentes, tous ces outils ont été conçus pour vous aider à livrer un rendu audio de la meilleure qualité possible.



Ce guide offre un aperçu général des fonctionnalités de la page Fairlight. Pour plus d'informations, veuillez consulter le manuel d'utilisation DaVinci Resolve. Le manuel DaVinci Resolve apporte des informations détaillées sur la fonction de chaque outil et explique comment les utiliser, étape par étape.

La timeline audio

- **En-tête de piste** : À gauche de chaque piste, vous trouverez un espace pour l'en-tête affichant le numéro, le nom et la couleur de la piste, les canaux audio, la valeur du fader et les indicateurs audio. L'en-tête de piste offre également des commandes pour verrouiller et déverrouiller des pistes et pour sélectionner les modes Solo et Mute. Ces commandes vous permettent de visualiser chaque piste séparément et de les organiser.
- **Pistes** : Chaque piste est divisée en voies, ce qui vous permet de visionner chaque canal du clip audio pour le montage et le mixage. Vous ne trouverez pas ces canaux individuels sur la page Montage. En effet, cette dernière n'affiche qu'un seul clip sur la timeline afin de faciliter le montage de sources multicanaux sans avoir à gérer un nombre de pistes trop important.



L'en-tête de piste de la piste A1 affiche une piste mono avec une seule voie pour l'audio mono. La piste A2 affiche quant à elle une piste stéréo comprenant deux voies pour l'audio stéréo.

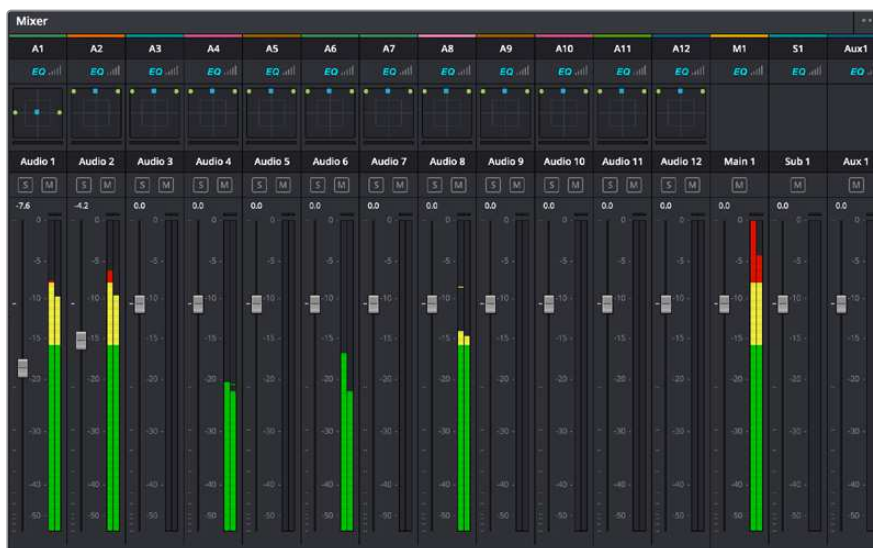
Qu'est-ce qu'un bus ?

Globalement, un bus est un canal de destination vers lequel vous pouvez router plusieurs pistes audio depuis la timeline. Ces pistes sont mixées en un signal unique et peuvent être contrôlées via une seule bande de canal.

- **Bus principal** : Les bus principaux sont la sortie principale d'un programme. Vous commencerez chaque nouveau projet avec un bus principal, vers lequel toutes les pistes seront acheminées par défaut. Le bus principal regroupe toutes les pistes de la timeline en un seul signal. Cela vous permet d'ajuster le niveau global du mix audio après avoir ajusté le niveau de chaque piste individuellement.
- **Sous-bus** : Les sous-bus vous permettent de regrouper plusieurs pistes audio qui appartiennent à la même catégorie, comme les dialogues, la musique ou les effets. Ainsi, tous les éléments d'une même catégorie peuvent être mixés comme un signal audio unique. Par exemple, si vous avez cinq pistes de dialogue, vous pouvez acheminer le signal de ces cinq pistes vers un bus submix, et vous pourrez ainsi mixer le niveau des dialogues avec une commande unique. Ce sous-mixage peut être rendu séparément ou envoyé vers le bus principal.

Le mixeur

Chaque piste audio de la timeline correspond à une bande de canal dans le mixeur. Par défaut, il y a une seule bande de canal sur le côté droit de l'interface pour le bus principal, appelée **M1**. À chaque bus principal ou sous-mixage que vous créez, une bande de canal supplémentaire s'ajoute sur le côté droit, accompagnée de commandes de contrôle. Plusieurs commandes, sous forme de graphiques, vous permettent d'assigner et d'acheminer des canaux de piste, d'ajuster les égaliseurs et les effets dynamiques, de régler les niveaux et d'enregistrer l'automatisation, de modifier l'emplacement d'un son dans l'image stéréo ou surround, et de choisir le mode muet ou solo pour chaque piste.



Les bandes de canal du mixeur audio, correspondant aux pistes de la timeline.

Utiliser l'égaliseur pour améliorer l'audio

Après avoir réglé les niveaux audio de vos clips, vous pourriez avoir envie d'apporter des ajustements supplémentaires. Par exemple, il arrive que les dialogues, la musique et les effets sonores se retrouvent sur la même fréquence dans le spectre audio, ce qui rend votre audio trop chargé et confus. Dans ce cas-là, l'égaliseur s'avère très utile car il vous permet de spécifier où doit se situer chaque piste dans le spectre audio. Vous pouvez aussi utiliser l'égaliseur pour supprimer des éléments indésirés dans votre audio en isolant et en atténuant le niveau sur des fréquences spécifiques qui contiennent de légers grondements, des bourdonnements, des bruits de vent, des sifflements, ou simplement pour améliorer la qualité du son.

DaVinci Resolve est doté de filtres que vous pouvez appliquer sur chaque clip individuellement, ou sur une piste entière. Chaque clip audio de la timeline possède un égaliseur à 4 bandes dans le panneau de l'inspecteur, et chaque piste possède un égaliseur paramétrique à 6 bandes dans le mixeur. Grâce aux commandes graphiques et numériques qui permettent d'amplifier ou d'atténuer des plages de fréquences et grâce aux différents types de filtres, vous pouvez définir la forme de la courbe de l'égaliseur.



L'égaliseur à quatre bandes peut être appliqué à tous les clips de la timeline

Les bandes situées aux extrémités vous permettent d'ajuster les filtres high-shelve, low-shelve, passe-haut et passe-bas. Les filtres de type « passe » suppriment du signal toutes les fréquences supérieures ou inférieures à une fréquence donnée. Par exemple, un filtre passe-haut laissera passer les hautes fréquences mais isolera les basses fréquences. Toutes les fréquences au-delà de la fréquence de coupure sont progressivement atténuées en une courbe descendante.

Les filtres shelve sont moins agressifs et très utiles si vous souhaitez traiter les hautes ou les basses fréquences sans forcément toutes les supprimer du signal. Ils amplifient ou atténuent uniformément la fréquence ciblée et toutes les fréquences définies en dessous ou en dessus de celle-ci, selon si vous choisissez un filtre high ou low shelve.

Les commandes de contrôle des bandes situées au milieu vous permettent d'appliquer les filtres low shelve, bell, notch et high shelve.

- **Bell** : Les filtres bell augmentent ou atténuent les fréquences qui se trouvent autour d'un certain point de la courbe en forme de cloche.
- **Notch** : Les filtres notch vous permettent de cibler une plage très réduite de fréquences. Vous pourrez par exemple supprimer un bourdonnement dans une fréquence de 50 ou de 60Hz.
- **Low Shelve** : Les filtres low shelve amplifient ou atténuent une fréquence basse cible, et toutes les fréquences qui se situent en dessous.
- **High Shelve** : Les filtres high shelve amplifient ou atténuent une fréquence haute cible, et toutes les fréquences qui se situent en dessus.

Pour ajouter un égaliseur à un clip individuel :

- 1 Sélectionnez le clip dans la timeline auquel vous voulez appliquer un filtre.
- 2 Cliquez sur l'inspecteur puis sur le bouton d'activation de l'**Égaliseur du plan**.

Pour ajouter un égaliseur à une piste :

- 1 Au niveau de l'égaliseur (EQ), double-cliquez sur la zone correspondante à la piste de votre choix, afin d'ouvrir l'égaliseur pour cette piste.
- 2 Choisissez le type de filtre à partir du menu déroulant pour la bande que vous souhaitez ajuster.



La zone de l'égaliseur dans le mixeur indique qu'une courbe a été appliquée sur la piste numéro une.



L'égaliseur paramétrique à 6 bandes peut être appliqué à toutes les pistes

Une fois que vous avez ajouté un égaliseur à votre clip ou à votre piste, vous pouvez égaliser chaque bande. Veuillez noter que les commandes peuvent varier selon le type de filtre sélectionné.

Pour régler l'égaliseur pour un filtre de bande :

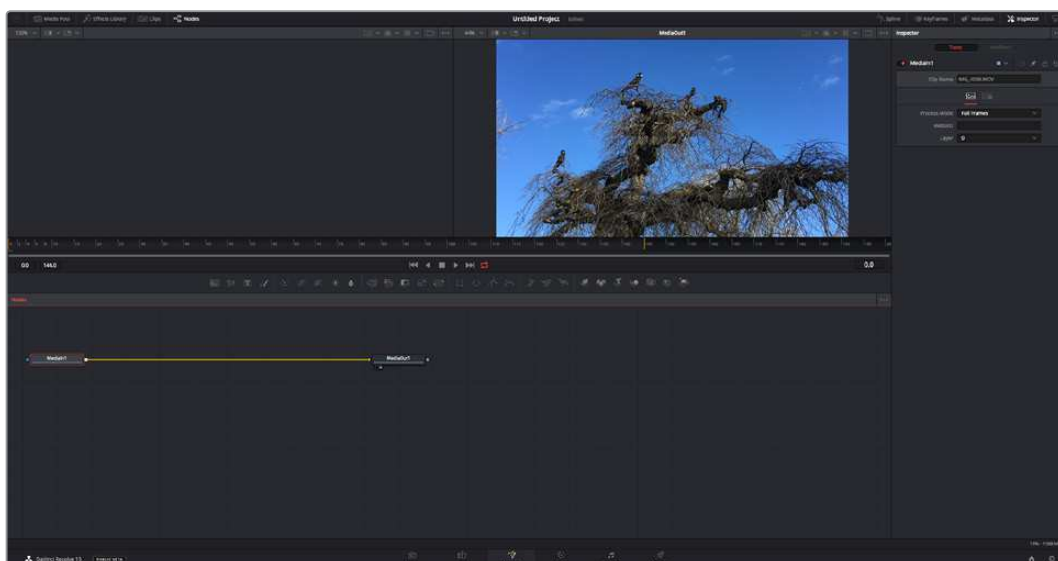
- 1 Choisissez le type de filtre à partir du menu déroulant pour la bande que vous souhaitez ajuster.
- 2 Ajustez la valeur du paramètre **Fréq.** pour sélectionner la fréquence centrale du réglage de l'égaliseur.
- 3 Ajustez la valeur du paramètre **Gain** pour amplifier ou atténuer les fréquences concernées par cette bande.
- 4 Utilisez la valeur du facteur **Q** pour ajuster la largeur de la plage des fréquences affectées.

Appuyez sur le bouton de réinitialisation pour rétablir toutes les commandes de l'égaliseur par défaut.

Fairlight possède de nombreuses fonctionnalités pour améliorer la qualité de chaque piste audio. Vous pouvez ajouter des pistes supplémentaires et organiser les bus, ajouter des effets tels que la réverbération et le délai, et apporter une amélioration générale à votre mix audio.

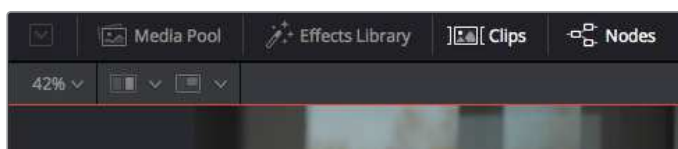
Ajouter des VFX et des compositions sur la page Fusion

Une fois le montage finalisé, vous pouvez ouvrir la page Fusion de DaVinci Resolve pour ajouter des effets visuels 2D ou 3D ainsi que des animations. Contrairement aux logiciels de compositing en couches, Fusion est doté d'une structure nodale qui vous offre la liberté de réaliser des effets complexes tout en acheminant les données d'image dans n'importe quelle direction. La fenêtre contenant les nœuds vous permet de voir tous les outils utilisés durant votre travail. Si vous avez utilisé la structure nodale sur la page Étalonnage, le workflow de Fusion vous sera familier.

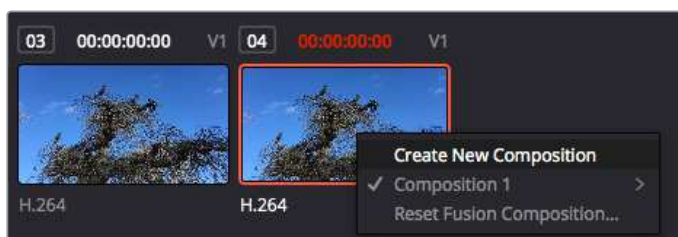


La page Fusion

La page Fusion se compose de deux viewers dans la partie haute de l'écran avec des commandes de transport pour visualiser vos médias, d'un inspecteur sur la droite pour accéder aux outils, et d'une fenêtre contenant les nœuds dans la partie basse pour créer vos compositions. Les viewers et les commandes de transport sont toujours apparents. En cliquant sur les icônes de la barre d'outils située tout en haut de l'écran, vous pouvez faire apparaître ou masquer les nœuds et l'inspecteur, ou encore révéler ou cacher d'autres fenêtres, comme la bibliothèque d'effets ou les éditeurs Spline et Images clés.



- **Bibliothèque de médias** : La bibliothèque de médias fonctionne de la même manière que celle de la page Étalonnage. Faites directement glisser les médias depuis les chutiers dans votre composition.
- **Bibliothèque d'effets** : Dans la bibliothèque d'effets, vous trouverez les outils Fusion et les modèles rangés par catégories, dont les particules, les outils de tracking, les filtres et les générateurs. Vous pouvez cliquer sur un outil ou le faire glisser dans la fenêtre des nœuds pour l'ajouter à votre composition. La bibliothèque de médias et la bibliothèque d'effets se partagent le même espace sur l'écran. Vous pouvez les intervertir afin d'avoir plus de place pour les viewers.
- **Plans** : En cliquant sur l'onglet Plans, vous pouvez afficher ou masquer les vignettes représentant les clips sur votre timeline. Les vignettes se trouvent sous l'éditeur de nœuds, ce qui vous permet d'aller d'un clip à un autre.



Vous pouvez créer une nouvelle version de votre composition en faisant un clic droit sur une vignette, puis en sélectionnant **Créer une nouvelle composition**.

- **Viewers** : Les viewers sont toujours visibles et vous permettent d'accéder aux différentes vues de votre composition. Par exemple, une vue 3D globale via le nœud Merge 3D, une sortie caméra ou le rendu final. Ces viewers vous permettent également de voir comment vos modifications affectent un élément en particulier.

Pour choisir quels nœuds vous souhaitez visualiser, cliquez sur un nœud, puis tapez « 1 » pour l'envoyer sur le viewer de gauche, ou « 2 » pour le viewer de droite. Des boutons blancs s'affichent sous le nœud pour vous indiquer à quel viewer il est associé. Si vous utilisez un moniteur externe, un troisième bouton s'affichera pour acheminer votre média vers ce moniteur.

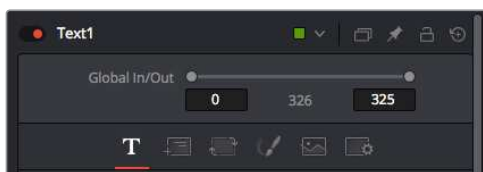
CONSEIL Vous pouvez également associer un nœud à un viewer en le faisant glisser directement dans celui-ci.

Les commandes de transport situées sous les viewers vous permettent d'aller au début ou à la fin du clip, de le lire d'avant en arrière, ou d'arrêter la lecture. La règle temporelle affiche les informations temporelles de l'ensemble du clip. Les indicateurs jaunes représentent les points d'entrée et de sortie.



Les indicateurs jaunes représentent les points d'entrée et de sortie de votre clip sur la timeline. Si vous travaillez avec un clip Fusion ou avec un clip composé, la règle temporelle affichera seulement la durée du clip tel qu'il apparaît sur la timeline, sans les poignées.

- **Nœuds** : La fenêtre comportant les nœuds est au cœur de la page Fusion. C'est ici que vous allez construire la structure nodale en connectant les outils d'un nœud à un autre. La taille de cette fenêtre est plus ou moins grande selon l'éditeur ouvert sur l'écran, comme Spline ou Images clés. Les outils les plus utilisés s'affichent en haut de la fenêtre des nœuds pour vous permettre d'y accéder rapidement.
- **Spline** : Lorsque vous cliquez sur l'éditeur Spline, ce dernier s'affiche sur la droite de la fenêtre de nœuds. Cet éditeur vous permet d'effectuer des ajustements précis pour chaque nœud. Vous pourrez par exemple adoucir une animation entre deux images clés à l'aide des courbes de Bézier.
- **Images clés** : À l'aide de l'éditeur Images clés, vous pouvez ajouter, supprimer ou modifier des images clés pour chaque outil. La fenêtre Images clés s'affiche également sur la droite de la fenêtre de nœuds.
- **Métadonnées** : La fenêtre Métadonnées affiche les métadonnées du clip actif, dont le codec, la fréquence d'images et le timecode.
- **Inspecteur** : L'inspecteur situé en haut à droite de l'écran, affiche tous les paramètres et modificateurs disponibles pour un ou plusieurs nœuds sélectionnés. Des onglets supplémentaires, triés par catégorie, sont également affichés pour vous permettre d'accéder rapidement à d'autres paramètres pour les nœuds.

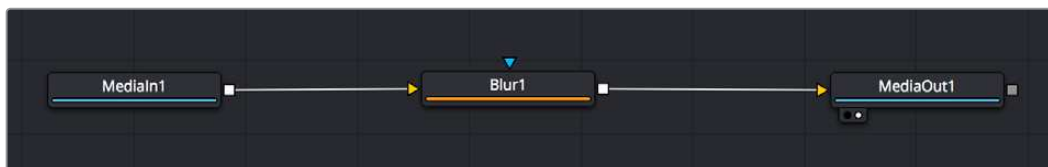


L'éditeur de texte de l'inspecteur offre des onglets supplémentaires pour le texte, la mise en forme, les ombres, les images et les paramètres.

Démarrer avec Fusion

Pour ouvrir la page Fusion, positionnez la tête de lecture sur un clip dans la timeline, puis cliquez sur l'onglet **Fusion**.

Ce clip apparaît immédiatement dans la fenêtre des nœuds en tant que média d'entrée, intitulé **MediaIn**. Chaque composition est constituée d'un nœud de média d'entrée **MediaIn**, et d'un nœud de média de sortie **MediaOut**. Le nœud **MediaIn** représente le clip d'entrée de votre timeline à la tête de lecture, et ignore les autres clips. Tous les ajustements effectués sur la page Montage, tels que l'utilisation des outils de transformation ou de rognage, sont inclus.



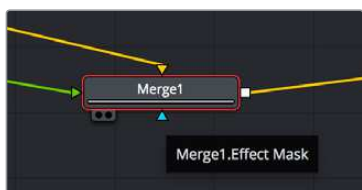
Le nœud **MediaOut** représente le nœud de sortie de votre timeline sur la page Montage.

CONSEIL Les plug-ins ResolveFX ou OFX appliqués aux clips dans la page Montage ne sont pas répercutés sur la page Fusion. En effet, les effets de Fusion priment sur les traitements d'étalonnage et les plug-ins. Si vous souhaitez que les plug-ins OFX priment sur les effets Fusion, faites un clic droit sur le clip dans la page Montage et sélectionnez **Nouveau plan Fusion** avant de cliquer sur la page Fusion.

Comprendre les nœuds

Pour mieux comprendre la structure nodale, visualisez chaque nœud comme une icône représentant un outil ou un effet. Les nœuds sont connectés entre eux pour former la composition globale, c'est comme les ingrédients d'un gâteau ! Il est important de comprendre les entrées et les sorties de chaque nœud, car cela vous aidera à naviguer dans le flux de votre composition tout en créant des effets visuels précis.

Certains outils possèdent plusieurs entrées et sorties que vous pouvez connecter à d'autres nœuds. Par exemple, le nœud **Merge** vous permet de joindre une entrée d'avant-plan, une sortie d'arrière-plan et une entrée de masque pour les caches ou les incrustations.



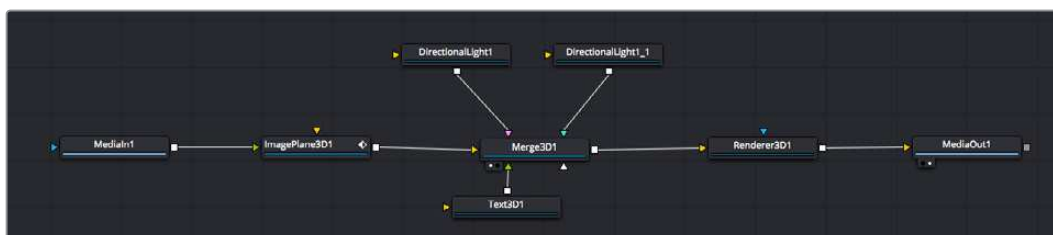
- ▶ Entrée d'avant-plan
- ▶ Entrée d'arrière-plan
- ▶ Entrée de l'effet masque
- Sortie

Le fait qu'un nœud possède plusieurs sorties signifie que vous pouvez le connecter à d'autres nœuds. Ainsi, contrairement aux structures en couches, vous n'avez pas besoin de dupliquer les clips. Les flèches entre les nœuds vous permettent de connaître la direction du flux des données d'image.

Ajouter des nœuds à l'éditeur de nœuds

Pour ajouter des effets, il vous suffit de placer des nœuds sur la ligne entre le nœud d'entrée et le nœud de sortie.

Il existe plusieurs façons de procéder. Vous pouvez maintenir le bouton Shift enfoncé et déposer un nœud entre deux autres nœuds. Vous pouvez également cliquer sur le nœud auquel vous souhaitez joindre un effet et sélectionner l'outil à ajouter, le nœud va automatiquement se connecter avec l'outil sélectionné. Enfin, vous pouvez ajouter un nœud n'importe où dans la fenêtre de nœuds et connecter manuellement la sortie d'un nœud à l'entrée d'un autre, à l'aide de votre souris.



Les outils les plus utilisés sont les outils Merge 2D ou 3D. Ils permettent de fusionner des outils en ne créant qu'une seule sortie.

Les outils Merge contrôlent la manière dont les entrées sont gérées, notamment la taille, la position et le fondu. Pour accéder à ces paramètres, sélectionnez un nœud Merge et ouvrez l'inspecteur.

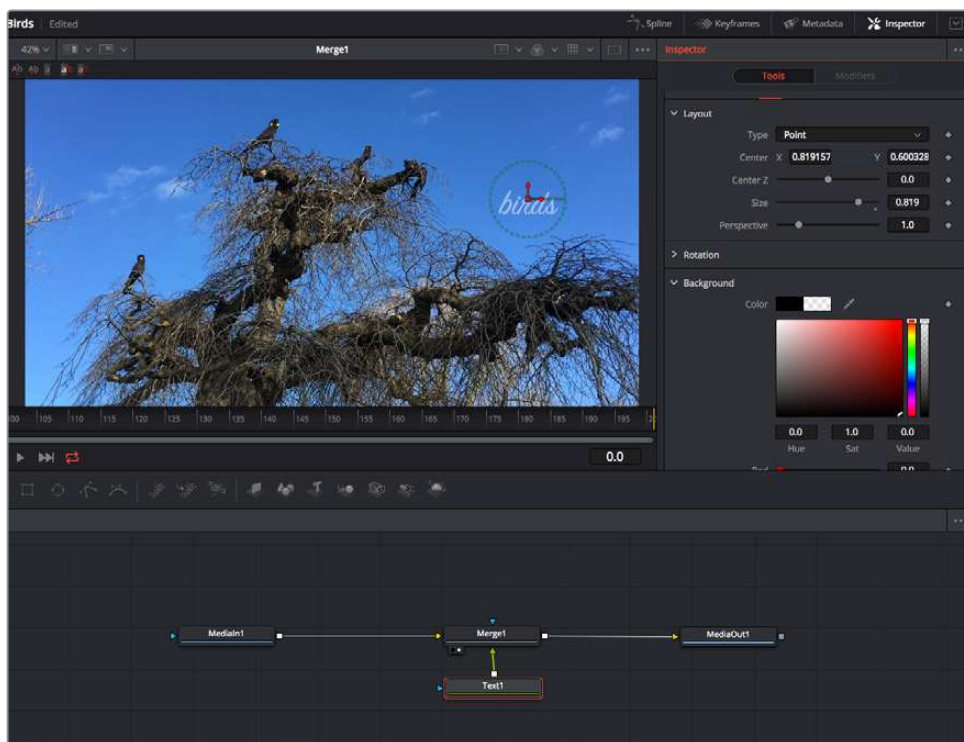
La barre d'outil située au-dessus de la fenêtre de nœuds affiche les icônes des outils les plus utilisés. Pour ajouter un nœud, cliquez sur une icône ou glissez-la dans la fenêtre de nœuds. Pour afficher la liste de tous les outils disponibles, cliquez sur **Bibliothèque d'effets** en haut à gauche de l'écran, puis agrandissez l'option **Tools**. Vous trouverez tous les outils triés par catégorie, ainsi que des templates que vous pouvez utiliser, comme Lens flare, Shader et Background.

CONSEIL Une fois familiarisé avec le nom des outils, maintenez le bouton **Shift** enfoncé et appuyez sur la barre d'espace de votre clavier pour faire apparaître le menu **Select Tool**. Lorsque vous saisissez un nom d'outil, le menu vous suggérera automatiquement l'outil le plus pertinent. C'est un moyen très rapide de sélectionner l'outil de votre choix.

Ajuster les nœuds avec l'inspecteur

Vous pouvez paramétrer les nœuds à l'aide de l'inspecteur. Cliquez sur le nœud que vous souhaitez modifier pour afficher ses paramètres dans l'inspecteur.

Dans Fusion, vous n'avez pas besoin de visualiser le nœud que vous êtes en train d'éditer. Vous pouvez modifier un nœud alors que vous en visionnez un autre dans votre composition. Par exemple, vous pouvez modifier la taille et le centrage d'un nœud **Text+** alors qu'un nœud **Merge** est dans le viewer. Cela vous permet de voir le texte sur un arrière-plan.



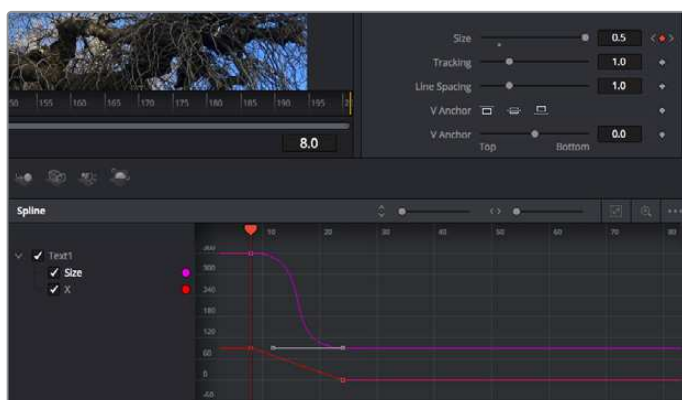
Lorsqu'un nœud est sélectionné, il est entouré d'une bordure rouge. Ici, l'inspecteur affiche la fenêtre de mise en forme du nœud Text.

Selon la fonction du nœud sélectionné, différents paramètres s'afficheront. Par exemple, vous pourrez modifier la taille, le centrage ou encore le nombre de particules. Petit à petit, régler les images clés et les paramètres animeront les effets.

Travailler avec des images clés

Dans la fenêtre de l'inspecteur, réglez une image clé en faisant un clic droit sur un paramètre et en sélectionnant **Animer** dans le menu contextuel. L'icône des images clés sur la droite s'affichera en rouge. La fonction Images clés est désormais active, et tous les changements que vous effectuerez ne seront appliqués qu'à l'image sélectionnée. Lorsque vous créez plusieurs images clés en changeant les paramètres d'une autre image, une transition est interpolée entre elles. Les flèches de chaque côté de l'icône de l'image clé vous permettent de déplacer la tête de lecture dans les mêmes positions que la timeline.

La fenêtre Spline vous offre des paramètres supplémentaires pour contrôler votre animation d'image clé. Vous pouvez sélectionner des images clés, comme par exemple la première et la dernière, et adoucir l'animation entre elles avec une courbe de Bézier. Pour cela, saisissez les touches **Shift + s**, ou faites un clic droit sur une image clé et sélectionnez **Adoucir**.



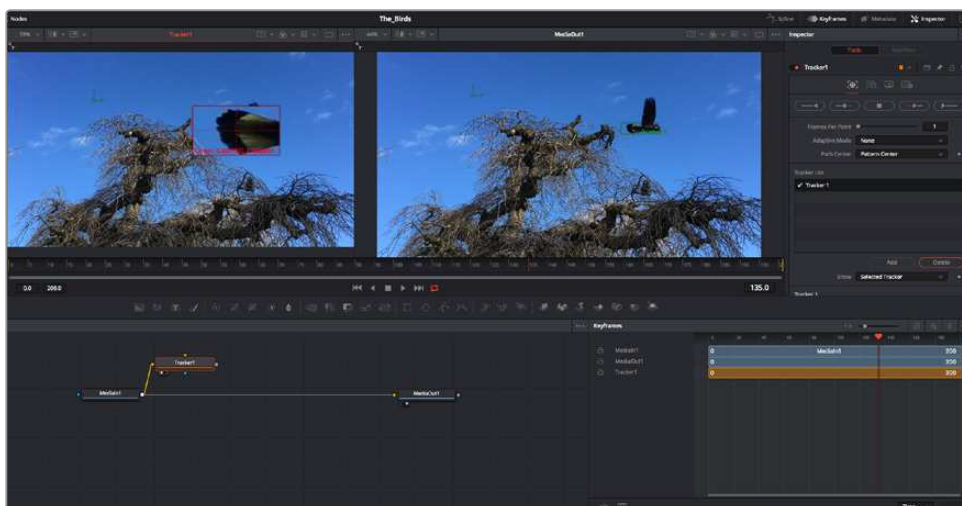
Ici, la taille de l'animation a été adoucie avec une courbe de Bézier. Pour raccourcir ou allonger la courbe, cliquez sur ses poignées. Pour déplacer l'animation, cliquez sur les icônes carrés.

Tracker des éléments en mouvement et ajouter du texte

Afin de vous donner un meilleur aperçu de Fusion, nous allons vous montrer comment tracker un élément dans un clip, ajouter du texte, puis l'intégrer à un élément à l'aide des données de tracking.

L'outil **Tracker** tracke les pixels sur un axe X et Y et génère des données que vous pouvez utiliser pour intégrer des éléments. C'est très utile pour faire correspondre la position d'un texte à un objet en mouvement, comme une voiture qui roule ou un oiseau qui vole sur plusieurs images.

- 1 Dans la page **Bibliothèque d'effets**, sélectionnez l'outil **Tracking** et faites-le glisser sur la ligne entre les nœuds **MediaIn** et **MediaOut**. Cliquez sur le nœud de tracking pour afficher ses propriétés dans l'inspecteur.
- 2 Saisissez « 1 » sur votre clavier pour afficher ce nœud dans le viewer de gauche. Le clip va s'afficher dans le viewer avec le tracker, positionné par défaut sur l'image. Passez votre souris sur le tracker pour afficher ses poignées. Cliquez en haut à gauche des poignées et déplacez le tracker dans la zone de l'image de votre choix. Le tracking est plus performant sur des zones contrastées, comme la marque d'une voiture sur sa carrosserie. Pour une précision optimale, l'image est grossie au passage du tracker.
- 3 Dans la fenêtre de l'inspecteur, cliquez sur le bouton de tracking vers l'avant. Une notification apparaîtra sur votre écran pour vous informer que le tracking est effectué. Cliquez sur OK.

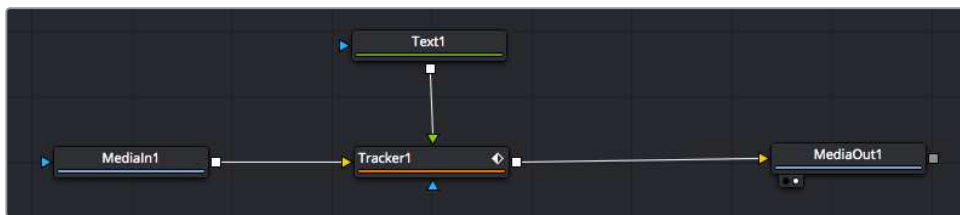


Dans l'inspecteur, vous pouvez choisir de tracker vers l'arrière depuis la dernière image, tracker vers l'arrière depuis l'image sélectionnée, arrêter le tracking, tracker vers l'avant depuis l'image sélectionnée ou tracker vers l'avant depuis la première image.

CONSEIL Utilisez les boutons de tracking avant et arrière depuis une image sélectionnée lorsque la zone à suivre disparaît durant le segment sur lequel vous travaillez. Par exemple, lorsqu'une voiture ou un oiseau sort de l'image. Ainsi, vous trackerez seulement les plans pertinents.

Maintenant, vous pouvez utiliser les données de tracking et appliquer un chemin d'animation à du texte.

- 4 Cliquez sur l'icône du nœud **Text+** depuis la barre d'outils et glissez-le près du nœud **Tracker** dans la fenêtre des nœuds. Connectez la sortie carrée du nœud **Texte** à l'entrée verte du nœud **Tracker**.



- 5 Cliquez sur le nœud **Tracker** et saisissez « 1 » sur votre clavier pour afficher la fusion des deux nœuds dans le viewer de gauche. Dans l'inspecteur de nœud **Tracker**, cliquez sur l'onglet **Opération**. Pour connaître le nom de chaque onglet, passez la souris sur les icônes. Cliquez sur la flèche du menu déroulant **Operation** et sélectionnez **Suivi du mouvement**.
- 6 Cliquez sur le nœud de texte pour afficher ses propriétés dans l'inspecteur. Tapez votre texte dans le champ de saisie et modifiez la police, la couleur et la taille des caractères, selon les besoins de votre composition.

Cela appliquera les données de position du tracker à votre texte. Si vous souhaitez décaler la position du texte, revenez sur la fenêtre du Tracker dans l'inspecteur, et utilisez les roues **Y Offset** et **X Offset**.



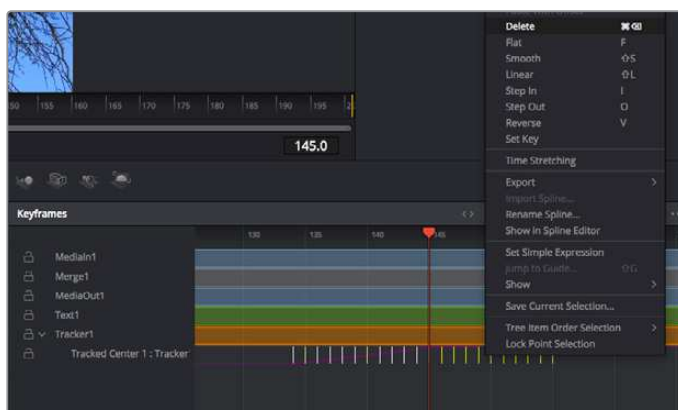
Turner les roues Offset en bas de la fenêtre de l'inspecteur permet d'ajuster la position du texte.

Vous pouvez désormais lire votre composition et voir le texte suivre l'élément que vous avez tracké !



Le carré vert représente la position actuelle du tracker sur son tracé. La ligne en pointillé rouge représente la position de décalage pour animer le texte.

Pour certaines prises, vous pourriez vouloir supprimer les points de tracking, par exemple, quand l'objet que vous trackez disparaît de l'écran. Grâce aux images clés, c'est très simple à réaliser.



- 7 Cliquez sur la fenêtre Images clés située au dessus de l'inspecteur. Chaque nœud auquel vous appliquez des images clés comportera une petite flèche à côté de son nom. Seuls les paramètres avec des images clés s'afficheront dans la liste. Cliquez sur l'icône de grossissement et définissez la zone que vous souhaitez éditer. Cette zone sera grossie pour vous permettre de voir l'image clé plus facilement.
- 8 Déplacez la tête de lecture sur la dernière image clé de votre choix. Maintenant, sélectionnez les images clés que vous souhaitez supprimer en définissant une zone autour d'elles à l'aide de votre souris. Les images clés seront surlignées en jaune. Faites un clic droit et sélectionnez **Supprimer** pour les supprimer.

CONSEIL Si vos effets sont particulièrement lourds pour votre système, faites un clic droit sur la zone des commandes de transport pour voir d'autres options de lecture, comme la lecture proxy qui vous permet d'optimiser le traitement de votre système lorsque vous créez vos compositions. Pour plus de détails sur les options de lecture, veuillez consulter le manuel DaVinci Resolve.

Bravo, vous avez finalisé votre première composition en animant du texte qui suit un élément de votre séquence !

Pour tracker une surface plate que vous souhaitez améliorer ou remplacer, vous pouvez utiliser l'outil de tracking planaire. Tracker des surfaces planes en 2D peut être utile pour changer un nom ou une marque dans une image en mouvement, ou même pour ajouter une image à un écran TV.

Pour plus d'informations sur l'outil de tracking planaire et les puissants outils de la page Fusion, veuillez consulter le manuel DaVinci Resolve.

CONSEIL Lorsque vous créez des effets dans la page Fusion, il est important de savoir si ces effets sont en 2D ou en 3D. En effet, cela déterminera quel outil Merge sera utilisé. Il est possible que vous combiniez des effets 2D et 3D dans une seule composition. Dans ce cas, rappelez-vous que les effets visuels 3D doivent être rendus en tant qu'image 2D avant d'être intégrés dans une composition 2D.

Nous sommes persuadés que vous adorerez créer de puissants effets visuels avec Fusion et explorer les fonctions de montage, d'étalonnage et de post audio de DaVinci Resolve. Avec tous ces outils à votre disposition, les possibilités de création sont illimitées !

Mastériser votre montage

Une fois le montage, l'étalonnage, l'ajout de VFX et le mixage audio effectués, il est temps de partager votre création. Vous pouvez utiliser la fonction Exportation rapide pour exporter les contenus de la timeline en tant que fichier autonome dans différents formats, ou utiliser les fonctionnalités additionnelles depuis la page **Exportation**.



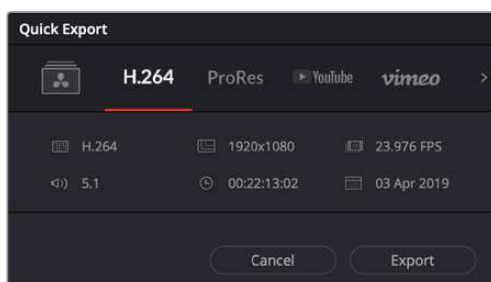
La séquence montée est exportée depuis la page **Exportation**. Vous pouvez choisir le format et les codecs de votre vidéo

Exportation rapide

Vous pouvez sélectionner **Fichier > Exportation rapide** pour utiliser les différents préréglages d'exportation, afin d'exporter votre programme depuis n'importe quelle page de DaVinci Resolve. Vous pouvez même utiliser l'exportation rapide pour exporter et charger votre programme vers les plateformes de partage vidéo prises en charge, dont YouTube, Vimeo et Frame.io.

Pour utiliser l'Exportation rapide :

- 1 Depuis la page **Montage**, **Fusion** ou **Étalonnage**, réglez si besoin des points d'entrée et de sortie dans la timeline pour sélectionner la plage du programme à exporter. Si aucune timeline ou aucuns points d'entrée ou de sortie n'ont été sélectionnés, la timeline toute entière sera exportée.
Choisissez **Fichier > Exportation rapide**.
- 2 Sélectionnez un préréglages parmi les icônes du bandeau supérieur de la boîte de dialogue, puis cliquez sur **Exporter**.
- 3 Choisissez un emplacement et nommez le fichier dans la boîte de dialogue, puis cliquez sur **Enregistrer**. Une barre de progression apparaîtra pour vous indiquer combien de temps durera l'exportation.



Boîte de dialogue de l'Exportation rapide

Page Exportation

Cette page vous permet de sélectionner les clips que vous souhaitez exporter et de choisir le format, le codec et la résolution souhaités. Vous pouvez exporter de nombreux formats, tels que QuickTime, AVI, MXF et DPX à l'aide de codecs non compressés RVB/YUV 8 bits ou 10 bits, ProRes, DNxHD, H.264 et autres.

Pour exporter la séquence montée en un seul clip :

- 1 Cliquez sur l'onglet **Exportation** pour ouvrir la page Exportation.
- 2 Dans la fenêtre **Paramètres d'export** en haut à gauche de la page, Vous pouvez choisir les préférences d'exportation, par exemple YouTube, Vimeo et des préférences audio. Vous pouvez également configurer les paramètres d'exportation manuellement en conservant le préférence par défaut **Personnaliser** et en saisissant vos propres réglages. Dans cet exemple, sélectionnez YouTube puis cliquez sur la flèche située à côté du préférence et sélectionnez le format vidéo 1080p.

La fréquence d'images sera la même que la fréquence d'images de votre projet.

- 3 Sous les préférences apparaissent le nom de fichier de la timeline et l'emplacement vers lequel vos vidéos seront exportées. Cliquez sur **Parcourir**, choisissez l'emplacement où vous souhaitez sauvegarder les fichiers exportés, puis sélectionnez **Plan unique** parmi les options d'exportation.
- 4 Juste au-dessus de la timeline, vous verrez que la case **Toute la timeline** est sélectionnée. Cela exportera l'intégralité de la timeline, cependant, vous pouvez sélectionner une partie de la timeline si vous le souhaitez. Choisissez simplement **Sélection Entrée/Sortie** puis utilisez les raccourcis clavier **i** et **o** pour sélectionner les points d'entrée et de sortie sur la timeline.
- 5 Allez au bas de la fenêtre **Paramètres de rendu** et cliquez sur le bouton **Ajouter à la liste de rendu**.

Les paramètres de rendu sont ajoutés à la queue de rendus à droite de la page. Cliquez sur **Rendre**. Grâce à la queue de rendus, vous pouvez suivre la progression de votre rendu.

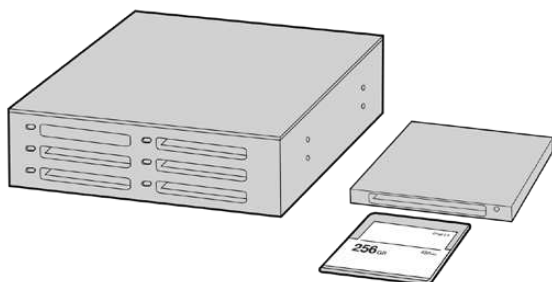
Lorsque le rendu est terminé, ouvrez le dossier, faites un double-clic sur le clip rendu et regardez le résultat.

Maintenant que vous avez acquis les bases du montage, de l'étalonnage, du mix audio et des effets visuels, n'hésitez pas à vous lancer avec DaVinci Resolve ! Veuillez consulter le manuel DaVinci Resolve pour plus de détails sur chaque fonctionnalité.

Travailler avec un logiciel tiers

Pour monter vos clips à l'aide de votre logiciel de montage favori, tel que DaVinci Resolve, vous pouvez copier vos clips depuis la caméra vers un lecteur externe ou RAID, puis les importer dans le logiciel. Vous pouvez également importer vos enregistrements à partir de votre support de stockage au moyen d'une station d'accueil ou d'un adaptateur pour votre carte CFast, SD ou votre disque flash USB-C.

Travailler avec des fichiers provenant de cartes CFast 2.0 et de cartes SD



Procédez au montage directement à partir de votre carte CFast ou SD en la retirant de votre caméra et en l'installant sur votre ordinateur à l'aide d'un lecteur/graveur de carte CFast 2.0 ou d'un lecteur de carte CFast.

Pour importer vos clips à partir d'une carte CFast 2.0 ou d'une carte SD :

- 1 Retirez la carte CFast ou SD de votre Blackmagic Pocket Cinema Camera.
Installez la carte CFast ou SD sur votre ordinateur Mac ou Windows à l'aide d'un lecteur/graveur de carte CFast 2.0 ou SD, ou d'un lecteur de carte CFast.
- 2 Double-cliquez sur la carte CFast ou SD pour l'ouvrir. Vous devriez voir des dossiers qui contiennent vos fichiers Blackmagic RAW ou une liste de fichiers MOV QuickTime. Selon le format d'enregistrement choisi, vous aurez peut-être un mélange de fichiers, mais leur convention de dénomination sera la même.
- 3 À présent, déplacez les fichiers sélectionnés de la carte CFast ou SD vers votre bureau ou vers un autre disque dur. Vous pouvez également accéder aux fichiers directement à partir de la carte CFast ou SD à l'aide d'un logiciel de montage.
- 4 Il est important de toujours éjecter votre carte CFast ou SD de macOS ou de Windows avant de les débrancher de votre ordinateur. Sinon, il y a un risque que vos fichiers soient corrompus.

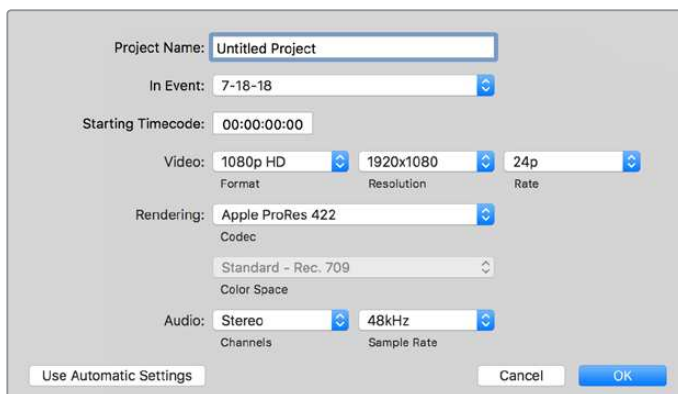
Travailler avec des fichiers provenant de disques flash USB-C

Pour importer des clips depuis un disque flash USB-C :

- 1 Débranchez le disque flash USB-C de votre caméra.
- 2 Connectez le disque flash USB-C à votre ordinateur Mac ou Windows via un port USB-C. Il est préférable d'utiliser un port USB 3.0, car l'USB 2.0 n'est pas assez rapide pour monter de la vidéo en temps réel.
- 3 Double-cliquez sur le disque flash USB-C pour l'ouvrir. Vous devriez voir une liste de fichiers MOV QuickTime ou des fichiers Blackmagic RAW. Selon le format d'enregistrement choisi, vous aurez peut-être un mélange de fichiers, mais leur convention de dénomination sera la même.
- 4 Faites glisser les fichiers que vous souhaitez utiliser du disque flash USB-C vers le bureau ou vers un autre disque dur. Il est également possible d'accéder aux fichiers directement depuis le disque flash USB-C à l'aide d'un logiciel de montage non-linéaire.
- 5 Il est important de toujours éjecter votre disque flash USB-C avant de le débrancher de votre ordinateur.

Utiliser Final Cut Pro X

Pour monter des clips avec Final Cut Pro X, créez un nouveau projet et réglez le format vidéo et la fréquence d'images appropriés. Pour cet exemple, nous utiliserons le format ProRes 422 HQ 1080p24.



Paramètre du projet dans Final Cut Pro X

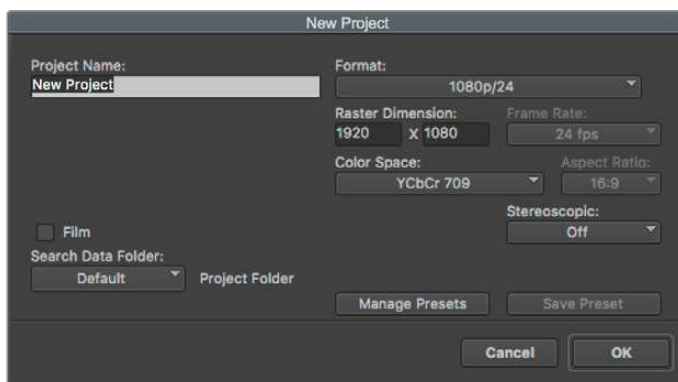
- 1 Lancez Final Cut Pro X, allez sur la barre de menu et sélectionnez **File/New Project**. Une fenêtre contenant les paramètres du projet apparaît.
- 2 Nommez votre projet et sélectionnez la case **Custom**.
- 3 Réglez les paramètres **Video Properties** sur 1080p HD, 1920x1080 et 24p.
- 4 Réglez les paramètres **Audio and Render Properties** sur **Stereo**, **48kHz**, et **Apple ProRes 422**.
- 5 Cliquez sur OK.

Pour importer vos clips dans le projet, allez sur la barre de menu et sélectionnez **File/Import/Media**. Choisissez vos clips à partir de la carte CFast.

Vous pouvez à présent faire glisser vos clips dans la timeline pour le montage.

Utiliser Avid Media Composer 2018

Pour monter des clips avec Avid Media Composer 2018, créez un nouveau projet et réglez le format vidéo et la fréquence d'images appropriés. Dans cet exemple, les clips sont réglés sur 1080p24.



Régler le nom et les options de votre projet dans Avid Media Composer 2018

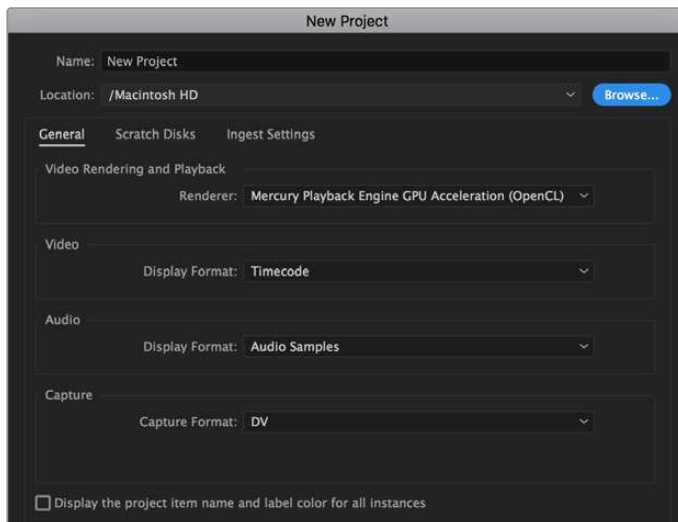
- 1 Lancez le logiciel Avid Media Composer 2018, la fenêtre de sélection du projet apparaît.
- 2 Cliquez sur le bouton **New Project** et nommez votre projet dans la fenêtre du nouveau projet.

- 3 Dans le menu déroulant **Format**, sélectionnez HD 1080 > 1080p/24 et cliquez sur **OK** pour créer le projet.
- 4 Double-cliquez sur le projet dans la fenêtre **Select Project** pour l'ouvrir.
- 5 Sélectionnez File > Input > Source browser et naviguez jusqu'aux fichiers à importer.
- 6 Sélectionnez votre chutier cible depuis le menu déroulant **Target bin**, puis cliquez sur **Import** pour importer les fichiers.

Lorsque les clips apparaissent dans le chutier, vous pouvez faire glisser vos clips dans la timeline et commencer le montage.

Utiliser Adobe Premiere Pro CC

Pour monter des clips Apple ProRes 422 HQ avec le logiciel Adobe Premiere Pro CC, créez un nouveau projet et réglez le format vidéo et la fréquence d'images appropriés. Dans cet exemple, les clips sont réglés sur ProRes 422 HQ 1080p25.



Choisissez le nom et réglez les options de votre projet dans Adobe Premiere Pro CC

- 1 Lancez Adobe Premiere Pro CC. Sur l'écran de bienvenue, sélectionnez **New Project**. Une fenêtre contenant les paramètres du projet apparaît.
- 2 Nommez votre projet. Choisissez un emplacement pour votre projet en cliquant sur **Parcourir** et en sélectionnant le dossier désiré. Une fois le dossier sélectionné, cliquez sur **OK** dans la fenêtre **New Project**.
- 3 Allez sur la barre de menu d'Adobe Premiere Pro CC et sélectionnez **File/Import**. Choisissez ensuite les clips que vous souhaitez monter. Les clips apparaissent dans la fenêtre **Project**.
- 4 Faites glisser le premier clip que vous souhaitez monter sur l'icône **New Item** située en bas à droite de la fenêtre du projet. Une nouvelle séquence possédant les mêmes paramètres que votre clip est créée.

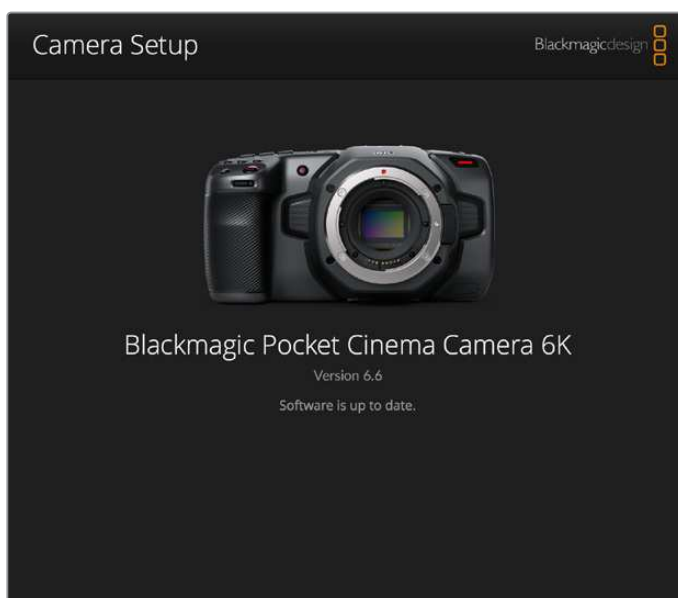
Vous pouvez à présent les faire glisser sur la timeline pour commencer le montage.

Blackmagic Camera Setup Utility

Mise à jour du logiciel de la caméra sous Mac

Après avoir téléchargé le logiciel Blackmagic Camera Setup Utility et dézippé le fichier téléchargé, ouvrez l'image disque pour faire apparaître le Blackmagic Camera Setup Installer.

Lancez le programme d'installation et suivez les instructions figurant à l'écran. Une fois l'installation terminée, allez sur le dossier Applications et ouvrez le dossier Blackmagic Cameras. Vous y trouverez ce manuel, l'utilitaire Blackmagic Camera Setup et un dossier contenant des fichiers readme ainsi que des informations. Vous y trouverez également un désinstalleur que vous utiliserez pour les mises à jour du Blackmagic Camera Setup.



Mise à jour du logiciel de la caméra sous Windows

Après avoir téléchargé le logiciel Blackmagic Camera Setup Utility et dézippé le fichier téléchargé, un dossier Blackmagic Camera Setup s'affiche, contenant le PDF de ce manuel ainsi que le programme d'installation Blackmagic Camera Setup. Double-cliquez sur le programme d'installation et suivez les instructions figurant à l'écran pour terminer l'installation.

Sous Windows 10, appuyez sur le bouton de démarrage et sélectionnez **All apps**. Faites défiler vers le bas jusqu'au dossier Blackmagic Design, puis lancez le Blackmagic Camera Setup.

Sous Windows 8.1, sélectionnez la flèche de l'écran de démarrage et faites défiler le menu vers le bas jusqu'au dossier Blackmagic Design, puis lancez le Blackmagic Camera Setup.

Mise à jour du logiciel interne de la caméra

Après avoir installé la dernière version du logiciel Blackmagic Camera Utility sur votre ordinateur, connectez un câble USB-C entre l'ordinateur et la caméra.

Le port USB-C est situé sur la partie gauche du panneau. Il suffit de soulever le capuchon en caoutchouc pour accéder au port.

Lancez le logiciel Blackmagic Camera Setup et suivez les instructions figurant sur l'écran pour mettre à jour le logiciel de la caméra.

Supports d'enregistrement recommandés

Cartes CFast 2.0

Recommandées pour la Pocket Cinema Camera 6K

Les cartes CFast 2.0 suivantes sont recommandées pour enregistrer en 6K Blackmagic RAW 5:1 jusqu'à 50 im/s sur la Pocket Cinema Camera 6K.

Marque	Nom de la carte	Stockage
Angelbird	AV PRO CF XT	512GB
CinediskPro	510MB/s CFast 2.0	256GB
Hagiwara Solutions	DC-SMAN64GA CFast 2.0	64GB
Hagiwara Solutions	DC-SMANA1GA CFast 2.0	128GB
KomputerBay	3400x CFast 2.0	64GB
KomputerBay	3400x CFast 2.0	128GB
Lexar	Professional 3400X CFast 2.0	128GB
Lexar	Professional 3500X CFast 2.0	128GB
ProGrade Digital	510MB/s CFast 2.0	128GB
ProGrade Digital	550MB/s CFast 2.0	256GB
ProGrade Digital	550MB/s CFast 2.0	512GB
Transcend	CFX650 CFast 2.0 TS128GCFX650	128GB
SanDisk	Extreme Pro CFast 2.0 SDCFSP-64G-x46D	64GB
SanDisk	Extreme Pro CFast 2.0 SDCFSP-128G-x46D	128GB
SanDisk	Extreme Pro CFast 2.0 SDCFSP-256G-x46D	256GB
SanDisk	Extreme Pro CFast 2.0 SDCFSP-512G-x46D	512GB
Silicon Power	CFX310 CFast 2.0	512GB
Sony	CFast 2.0 G Series CAT-G64	64GB
Sony	CFast 2.0 G Series CAT-G128	128GB
Wise	CFA-2560 3400x CFast 2.0	256GB
Wise	CFA-5120 3500x CFast 2.0	512GB
Wise	CFA-10240 3500X CFast 2.0	1TB

Les cartes CFast 2.0 suivantes sont recommandées pour enregistrer en 6K 2.4:1 Blackmagic RAW 5:1 jusqu'à 60 im/s sur la Pocket Cinema Camera 6K.

Marque	Nom de la carte	Stockage
Angelbird	AV PRO CF XT	512GB
CinediskPro	510MB/s CFast 2.0	256GB
Hagiwara Solutions	DC-SMAN64GA CFast 2.0	64GB
Hagiwara Solutions	DC-SMANA1GA CFast 2.0	128GB

Marque	Nom de la carte	Stockage
KomputerBay	3400x CFast 2.0	64GB
KomputerBay	3400x CFast 2.0	128GB
Lexar	Professional 3400X CFast 2.0	128GB
Lexar	Professional 3500X CFast 2.0	128GB
ProGrade Digital	510MB/s CFast 2.0	128GB
ProGrade Digital	550MB/s CFast 2.0	256GB
ProGrade Digital	550MB/s CFast 2.0	512GB
Transcend	CFX650 CFast 2.0 TS128GCFX650	128GB
SanDisk	Extreme Pro CFast 2.0 SDCFSP-64G-x46D	64GB
SanDisk	Extreme Pro CFast 2.0 SDCFSP-128G-x46D	128GB
SanDisk	Extreme Pro CFast 2.0 SDCFSP-256G-x46D	256GB
SanDisk	Extreme Pro CFast 2.0 SDCFSP-512G-x46D	512GB
Silicon Power	CFX310 CFast 2.0	256GB
Silicon Power	CFX310 CFast 2.0	512GB
Sony	CFast 2.0 G Series CAT-G64	64GB
Sony	CFast 2.0 G Series CAT-G128	128GB
Wise	CFA-1280 3400x CFast 2.0	128GB
Wise	CFA-2560 3400x CFast 2.0	256GB
Wise	CFA-5120 3500x CFast 2.0	512GB
Wise	CFA-10240 3500X CFast 2.0	1TB

Les cartes CFast 2.0 suivantes sont recommandées pour enregistrer en 2.8K 17:9 Blackmagic RAW 3:1 jusqu'à 120 im/s sur la Pocket Cinema Camera 6K.

Marque	Nom de la carte	Stockage
Angelbird	AV PRO CF XT	512GB
CinediskPro	510MB/s CFast 2.0	256GB
Hagiwara Solutions	DC-SMAN64GA CFast 2.0	64GB
Hagiwara Solutions	DC-SMANA1GA CFast 2.0	128GB
KomputerBay	3400x CFast 2.0	64GB
KomputerBay	3400x CFast 2.0	128GB
Lexar	Professional 3400X CFast 2.0	128GB
Lexar	Professional 3500X CFast 2.0	128GB
Lexar	Professional 3400X CFast 2.0	256GB
ProGrade Digital	510MB/s CFast 2.0	128GB
ProGrade Digital	550MB/s CFast 2.0	256GB
ProGrade Digital	550MB/s CFast 2.0	512GB
Transcend	CFX650 CFast 2.0 TS128GCFX650	128GB

Marque	Nom de la carte	Stockage
SanDisk	Extreme Pro CFast 2.0 SDCFSP-64G-x46D	64GB
SanDisk	Extreme Pro CFast 2.0 SDCFSP-128G-x46D	128GB
SanDisk	Extreme Pro CFast 2.0 SDCFSP-256G-x46D	256GB
SanDisk	Extreme Pro CFast 2.0 SDCFSP-512G-x46D	512GB
Silicon Power	CFX310 CFast 2.0	256GB
Silicon Power	CFX310 CFast 2.0	512GB
Sony	CFast 2.0 G Series CAT-G64	64GB
Sony	CFast 2.0 G Series CAT-G128	128GB
Wise	CFA-1280 3400x CFast 2.0	128GB
Wise	CFA-2560 3400x CFast 2.0	256GB
Wise	CFA-5120 3500x CFast 2.0	512GB
Wise	CFA-10240 3500X CFast 2.0	1TB

Les cartes CFast 2.0 suivantes sont recommandées pour enregistrer en 4K DCI ProRes HQ jusqu'à 60 im/s sur la Pocket Cinema Camera 6K.

Marque	Nom de la carte	Stockage
Angelbird	AV PRO CF XT	512GB
CinediskPro	510MB/s CFast 2.0	256GB
Hagiwara Solutions	DC-SMAN64GA CFast 2.0	64GB
Hagiwara Solutions	DC-SMANA1GA CFast 2.0	128GB
KomputerBay	3400x CFast 2.0	64GB
KomputerBay	3400x CFast 2.0	128GB
Lexar	Professional 3400X CFast 2.0	128GB
Lexar	Professional 3500X CFast 2.0	128GB
Lexar	Professional 3400X CFast 2.0	256GB
ProGrade Digital	510MB/s CFast 2.0	128GB
ProGrade Digital	550MB/s CFast 2.0	256GB
ProGrade Digital	550MB/s CFast 2.0	512GB
Transcend	CFX650 CFast 2.0 TS128GCFX650	128GB
SanDisk	Extreme Pro CFast 2.0 SDCFSP-64G-x46D	64GB
SanDisk	Extreme Pro CFast 2.0 SDCFSP-128G-x46D	128GB
SanDisk	Extreme Pro CFast 2.0 SDCFSP-256G-x46D	256GB
SanDisk	Extreme Pro CFast 2.0 SDCFSP-512G-x46D	512GB
Silicon Power	CFX310 CFast 2.0	256GB
Silicon Power	CFX310 CFast 2.0	512GB
Sony	CFast 2.0 G Series CAT-G64	64GB
Sony	CFast 2.0 G Series CAT-G128	128GB

Marque	Nom de la carte	Stockage
Wise	CFA-1280 3400x CFAST 2.0	128GB
Wise	CFA-2560 3400x CFAST 2.0	256GB
Wise	CFA-5120 3500x CFAST 2.0	512GB
Wise	CFA-10240 3500X CFAST 2.0	1TB

Les cartes CFAST 2.0 suivantes sont recommandées pour enregistrer en 1080 ProRes 422 HQ jusqu'à 120 im/s sur la Pocket Cinema Camera 6K.

Marque	Nom de la carte	Stockage
Angelbird	AV PRO CF XT	512GB
CinediskPro	510MB/s CFAST 2.0	256GB
Hagiwara Solutions	DC-SMAN64GA CFAST 2.0	64GB
Hagiwara Solutions	DC-SMANA1GA CFAST 2.0	128GB
KomputerBay	3400x CFAST 2.0	64GB
KomputerBay	3400x CFAST 2.0	128GB
Lexar	Professional 3400X CFAST 2.0	128GB
Lexar	Professional 3500X CFAST 2.0	128GB
Lexar	Professional 3400X CFAST 2.0	256GB
ProGrade Digital	510MB/s CFAST 2.0	128GB
ProGrade Digital	550MB/s CFAST 2.0	256GB
ProGrade Digital	550MB/s CFAST 2.0	512GB
Transcend	CFX650 CFAST 2.0 TS128GCFX650	128GB
SanDisk	Extreme Pro CFAST 2.0 SDCFSP-64G-x46D	64GB
SanDisk	Extreme Pro CFAST 2.0 SDCFSP-128G-x46D	128GB
SanDisk	Extreme Pro CFAST 2.0 SDCFSP-256G-x46D	256GB
SanDisk	Extreme Pro CFAST 2.0 SDCFSP-512G-x46D	512GB
Silicon Power	CFX310 CFAST 2.0	256GB
Silicon Power	CFX310 CFAST 2.0	512GB
Sony	CFAST 2.0 G Series CAT-G64	64GB
Sony	CFAST 2.0 G Series CAT-G128	128GB
Wise	CFA-1280 3400x CFAST 2.0	128GB
Wise	CFA-2560 3400x CFAST 2.0	256GB
Wise	CFA-5120 3500x CFAST 2.0	512GB
Wise	CFA-10240 3500X CFAST 2.0	1TB

Recommandées pour la Pocket Cinema Camera 4K

Les cartes CFast 2.0 suivantes sont recommandées pour enregistrer en 4K DCI Blackmagic RAW 3:1 jusqu'à 60 im/s sur la Pocket Cinema Camera 4K.

Marque	Nom de la carte	Stockage
Angelbird	AV PRO CF	512GB
Angelbird	AV PRO CF	1TB
CinediskPro	510MB/s CFast 2.0	256GB
Hagiwara Solutions	DC-SMAN64GA CFast 2.0	64GB
Hagiwara Solutions	DC-SMANA1GA CFast 2.0	128GB
KomputerBay	3400x CFast 2.0	64GB
KomputerBay	3400x CFast 2.0	128GB
KomputerBay	3700x CFast 2.0	256GB
Lexar	Professional 3400x CFast 2.0	128GB
Lexar	Professional 3500x CFast 2.0	256GB
ProGrade Digital	550MB/s CFast 2.0	128GB
ProGrade Digital	550MB/s CFast 2.0	256GB
ProGrade Digital	550MB/s CFast 2.0	512GB
SanDisk	Extreme Pro CFast 2.0 SDCFSP-256G-x46D	512GB
Wise	CFA-1280 3400x CFast 2.0	128GB
Wise	CFA-2560 3400x CFast 2.0	256GB
Wise	CFA-5120 3500x CFast 2.0	512GB
Wise	CFA-10240 3500x CFast 2.0	1TB

Les cartes CFast 2.0 suivantes sont recommandées pour enregistrer en 4K DCI ProRes HQ jusqu'à 60 im/s sur la Pocket Cinema Camera 4K.

Marque	Nom de la carte	Stockage
Angelbird	AV PRO CF	128GB
Angelbird	AV PRO CF	256GB
Angelbird	AV PRO CF	512GB
CinediskPro	510MB/s CFast 2.0	256GB
Hagiwara Solutions	DC-SMAN64GA CFast 2.0	64GB
Hagiwara Solutions	DC-SMANA1GA CFast 2.0	128GB
KomputerBay	3400x CFast 2.0	128GB
KomputerBay	3700x CFast 2.0	256GB
ProGrade Digital	550MB/s CFast 2.0	256GB
ProGrade Digital	550MB/s CFast 2.0	512GB
SanDisk	Extreme Pro CFast 2.0 SDCFSP-64G-x46D	64GB
SanDisk	Extreme Pro CFast 2.0 SDCFSP-128G-x46D	128GB

Marque	Nom de la carte	Stockage
SanDisk	Extreme Pro CFast 2.0 SDCFSP-256G-x46D	256GB
Sony	CFast 2.0 G Series CAT-G64	64GB
Sony	CFast 2.0 G Series CAT-G128	128GB
Wise	CFA-1280 3400x CFast 2.0	128GB
Wise	CFA-2560 3400x CFast 2.0	256GB
Wise	CFA-5120 3500x CFast 2.0	512GB
Wise	CFA-10240 3500x CFast 2.0	1TB

Les cartes CFast 2.0 suivantes sont recommandées pour enregistrer en 4K DCI Lossless RAW jusqu'à 30 im/s sur la Pocket Cinema Camera 4K.

Marque	Nom de la carte	Stockage
Angelbird	AV PRO CF	128GB
Angelbird	AV PRO CF	256GB
Angelbird	AV PRO CF	512GB
CinediskPro	510MB/s CFast 2.0	256GB
KomputerBay	3400x CFast 2.0	128GB
ProGrade Digital	550MB/s CFast 2.0	256GB
ProGrade Digital	550MB/s CFast 2.0	512GB
SanDisk	Extreme Pro CFast 2.0 SDCFSP-64G-x46D	64GB
SanDisk	Extreme Pro CFast 2.0 SDCFSP-128G-x46D	128GB
SanDisk	Extreme Pro CFast 2.0 SDCFSP-256G-x46D	256GB
Sony	CFast 2.0 G Series CAT-G64	64GB
Sony	CFast 2.0 G Series CAT-G128	128GB
Wise	CFA-1280 3400x CFast 2.0	128GB
Wise	CFA-2560 3400x CFast 2.0	256GB
Wise	CFA-5120 3500x CFast 2.0	512GB

Les cartes CFast 2.0 suivantes sont recommandées pour enregistrer en 4K DCI 3:1 RAW jusqu'à 60 im/s sur la Pocket Cinema Camera 4K.

Marque	Nom de la carte	Stockage
Angelbird	AV PRO CF	128GB
Angelbird	AV PRO CF	256GB
Angelbird	AV PRO CF	512GB
CinediskPro	510MB/s CFast 2.0	256GB
KomputerBay	3400x CFast 2.0	128GB
ProGrade Digital	550MB/s CFast 2.0	256GB
ProGrade Digital	550MB/s CFast 2.0	512GB

Marque	Nom de la carte	Stockage
SanDisk	Extreme Pro CFast 2.0 SDCFSP-64G-x46D	64GB
SanDisk	Extreme Pro CFast 2.0 SDCFSP-128G-x46D	128GB
SanDisk	Extreme Pro CFast 2.0 SDCFSP-256G-x46D	256GB
Sony	CFast 2.0 G Series CAT-G64	64GB
Sony	CFast 2.0 G Series CAT-G128	128GB
Wise	CFA-1280 3400x CFast 2.0	128GB
Wise	CFA-2560 3400x CFast 2.0	256GB
Wise	CFA-5120 3500x CFast 2.0	512GB

Cartes SD

Recommandées pour la Pocket Cinema Camera 6K

Les cartes SD suivantes sont recommandées pour enregistrer en 6K 16:9 Blackmagic RAW 5:1 jusqu'à 30 im/s sur la Pocket Cinema Camera 6K.

Marque	Nom de la carte	Stockage
Angelbird	AV PRO SD V90	64GB
Sony	Tough SF-G32T	32GB
Sony	Tough SF-G64T	64GB
Sony	Tough SF-G128T	128GB
Toshiba	Exceria Pro UHS-II 270MB/s SDXC	64GB
Wise	SD2-128U3 SDXC UHS-II	128GB

Les cartes SD suivantes sont recommandées pour enregistrer en 6K 16:9 Blackmagic RAW 8:1 jusqu'à 30 im/s sur la Pocket Cinema Camera 6K.

Marque	Nom de la carte	Stockage
Angelbird	AV PRO SD V90	64GB
Sony	Tough SF-G32T	32GB
Sony	Tough SF-G64T	64GB
Sony	Tough SF-G128T	128GB
Toshiba	Exceria Pro UHS-II 270MB/s SDXC	64GB
Toshiba	Exceria Pro UHS-II 270MB/s SDXC	128GB
Toshiba	Exceria Pro UHS-II N502 SDXC	128GB
Wise	SD2-128U3 SDXC UHS-II	128GB

Les cartes SD suivantes sont recommandées pour enregistrer en 6K 2.4:1 Blackmagic RAW 12:1 jusqu'à 60 im/s sur la Pocket Cinema Camera 6K.

Marque	Nom de la carte	Stockage
Angelbird	AV PRO SD V90	64GB
Sony	Tough SF-G32T	32GB
Sony	Tough SF-G64T	64GB
Sony	Tough SF-G128T	128GB
Toshiba	Exceria Pro UHS-II 270MB/s SDXC	64GB
Toshiba	Exceria Pro UHS-II 270MB/s SDXC	128GB
Toshiba	Exceria Pro UHS-II N502 SDXC	128GB

Les cartes SD suivantes sont recommandées pour enregistrer en 4K DCI ProRes HQ jusqu'à 60 im/s sur la Pocket Cinema Camera 6K.

Marque	Nom de la carte	Stockage
Angelbird	AV PRO SD V90	64GB
Delkin Devices	Power SDXC USH-II	64GB
Delkin Devices	Prime SDXC USH-II	128GB
ProGrade Digital	V90 UHS-II 250MB/s SDXC	128GB
ProGrade Digital	V90 UHS-II 250MB/s SDXC	256GB
Sony	Tough SF-G32T	32GB
Sony	Tough SF-G64T	64GB
Sony	Tough SF-G128T	128GB
Wise	SD2-64U3 SDXC UHS-II	64GB
Wise	SD2-128U3 SDXC UHS-II	128GB
Toshiba	Exceria Pro UHS-II N502 SDXC	128GB

Les cartes SD suivantes sont recommandées pour enregistrer en 1080 ProRes 422 HQ jusqu'à 120 im/s sur la Pocket Cinema Camera 6K.

Marque	Nom de la carte	Stockage
Angelbird	AV PRO SD V90	64GB
Delkin Devices	Power SDXC USH-II	64GB
Delkin Devices	Prime SDXC USH-II	128GB
Lexar	Professional 2000x UHS-II 300MB/s SDXC	64GB
Lexar	Professional 2000x UHS-II 300MB/s SDXC	128GB
ProGrade Digital	V90 UHS-II 250MB/s SDXC	256GB
Sony	Tough SF-G32T	32GB
Sony	Tough SF-G64T	64GB
Sony	Tough SF-G128T	128GB
Toshiba	Exceria Pro UHS-II 270MB/s SDXC	64GB

Marque	Nom de la carte	Stockage
Toshiba	Exceria Pro UHS-II 270MB/s SDXC	128GB
Toshiba	Exceria Pro UHS-II N502 SDXC	128GB
Toshiba	Exceria Pro UHS-II N502 SDXC	256GB
Wise	SD2-64U3 SDXC UHS-II	64GB
Wise	SD2-128U3 SDXC UHS-II	128GB

Recommandées pour la Pocket Cinema Camera 4K

Les cartes SD suivantes sont recommandées pour enregistrer en 4K DCI Blackmagic RAW 12:1 jusqu'à 30 im/s sur la Pocket Cinema Camera 4K.

Marque	Nom de la carte	Stockage
Angelbird	AV PRO SD V90	64GB
Delkin Devices	Power UHS-II SDXC	64GB
Delkin Devices	Power UHS-II SDXC	128GB
Lexar	Professional 2000x UHS-II 300MB/s SDXC	64GB
ProGrade Digital	V90 UHS-II 250MB/s SDXC	256GB
SanDisk	Extreme Pro UHS-I 95MB/s SDXC	512GB
Sony	Tough SF-G64T	64GB
Sony	Tough SF-G128T	128GB
Sony	SF-G64 300MB/s UHS-II SDXC	64GB
Toshiba	Exceria Pro UHS-II N502 SDHC	32GB
Toshiba	Exceria Pro UHS-II 270MB/s SDXC	64GB
Wise	SD2-64U3 SDXC UHS-II	64GB
Wise	SD2-128U3 SDXC UHS-II	128GB
Wise	SD2-128U3 SDXC UHS-II	128GB

Les cartes SD suivantes sont recommandées pour enregistrer en 4K DCI ProRes HQ jusqu'à 60 im/s sur la Pocket Cinema Camera 4K.

Marque	Nom de la carte	Stockage
Wise	SD2-64U3 SDXC UHS-II	64GB
Wise	SD2-128U3 SDXC UHS-II	128GB
Sony	Tough SF-G64T	64GB
Sony	Tough SF-G128T	128GB

Les cartes SD suivantes sont recommandées pour enregistrer en 4K DCI 4:1 RAW jusqu'à 60 im/s sur la Pocket Cinema Camera 4K.

Marque	Nom de la carte	Stockage
Sony	Tough SF-G64T	64GB
Sony	Tough SF-G128T	128GB
Toshiba	Exceria Pro UHS-II N502 SDXC	32GB

Les cartes SD suivantes sont recommandées pour enregistrer en 4K DCI Lossless RAW jusqu'à 24 im/s sur la Pocket Cinema Camera 4K.

Marque	Nom de la carte	Stockage
Wise	SD2-64U3 SDXC UHS-II	64GB
Wise	SD2-128U3 SDXC UHS-II	128GB
Toshiba	Exceria Pro UHS-II N502 SDXC	32GB
Sony	Tough SF-G64T	64GB
Sony	Tough SF-G128T	128GB

Les cartes SD suivantes sont recommandées pour enregistrer en 1080p Lossless RAW jusqu'à 60 im/s sur la Pocket Cinema Camera 4K.

Marque	Nom de la carte	Stockage
Wise	SD2-64U3 SDXC UHS-II	64GB
Wise	SD2-128U3 SDXC UHS-II	128GB
Sony	Tough SF-G64T	64GB
Sony	Tough SF-G128T	128GB
Toshiba	Exceria Pro UHS-II N502 SDXC	32GB
Toshiba	Exceria Pro UHS-II N502 SDXC	64GB
Toshiba	Exceria Pro UHS-II N502 SDXC	128GB
Toshiba	Exceria Pro UHS-II N502 SDXC	256GB
Sony	Tough SF-G128T	128GB

SSD USB-C

Recommandés pour la Pocket Cinema Camera 6K

Les disques USB-C suivants sont recommandés pour enregistrer en 6K Blackmagic RAW 5:1 jusqu'à 50 im/s sur la Pocket Cinema Camera 6K.

Marque	Nom de la carte	Stockage
Wise	PTS-1024 Portable SSD	1TB

Les disques USB-C suivants sont recommandés pour enregistrer en 6K 2.4:1 Blackmagic RAW 5:1 jusqu'à 60 im/s sur la Pocket Cinema Camera 6K.

Marque	Nom de la carte	Stockage
Samsung	Portable SSD T5	250GB
Samsung	Portable SSD T5	2TB
Wise	PTS-1024 Portable SSD	1TB

Les disques USB-C suivants sont recommandés pour enregistrer en 2.8K 17:9 Blackmagic RAW 3:1 jusqu'à 120 im/s sur la Pocket Cinema Camera 6K.

Marque	Nom de la carte	Stockage
Samsung	Portable SSD T5	250GB
Samsung	Portable SSD T5	2TB
Wise	PTS-512 Portable SSD	512GB
Wise	PTS-1024 Portable SSD	1TB

Les disques USB-C suivants sont recommandés pour enregistrer en 4K DCI ProRes HQ jusqu'à 60 im/s sur la Pocket Cinema Camera 6K.

Marque	Nom de la carte	Stockage
Samsung	Portable SSD T5	250GB
Samsung	Portable SSD T5	1TB
Samsung	Portable SSD T5	2TB
SanDisk	Extreme Portable SSD	1TB
Wise	PTS-512 Portable SSD	512GB
Wise	PTS-1024 Portable SSD	1TB
Wise	PTS-1024 Portable SSD	1TB

Les disques USB-C suivants sont recommandés pour enregistrer en 1080 ProRes 422 HQ jusqu'à 120 im/s sur la Pocket Cinema Camera 6K.

Marque	Nom de la carte	Stockage
Samsung	Portable SSD T5	250GB
Samsung	Portable SSD T5	1TB
Samsung	Portable SSD T5	2TB
SanDisk	Extreme Portable SSD	1TB
Wise	PTS-512 Portable SSD	512GB
Wise	PTS-1024 Portable SSD	1TB
Wise	PTS-1024 Portable SSD	1TB

Recommandés pour la Pocket Cinema Camera 4K

Les disques USB-C suivants sont recommandés pour enregistrer en 4K DCI Blackmagic RAW 3:1 jusqu'à 60 im/s sur la Pocket Cinema Camera 4K.

Marque	Nom de la carte	Stockage
Angelbird	SSD2GO PKT	512GB
Angelbird	SSD2GO PKT	2TB
G-Technology	G-DRIVE Mobile SSD	1TB
Samsung	Portable SSD T5	2TB
Wise	PTS-512 Portable SSD	512GB

Les disques USB-C suivants sont recommandés pour enregistrer en 4K DCI ProRes HQ jusqu'à 60 im/s sur la Pocket Cinema Camera 4K.

Marque	Nom de la carte	Stockage
Angelbird	SSD2GO PKT	512GB
Angelbird	SSD2GO PKT	2TB
Glyph	Atom	500GB
Lacie	Portable SSD	500GB
Samsung	Portable SSD T5	500GB
Samsung	Portable SSD T5	1TB
SanDisk	Extreme Portable SSD	1TB
Seagate	Fast SSD	250GB
Wise	PTS-256 Portable SSD	256GB
Wise	PTS-512 Portable SSD	512GB
Wise	PTS-1024 Portable SSD	1TB

Les disques USB-C suivants sont recommandés pour enregistrer en 4K DCI Lossless RAW jusqu'à 30 im/s sur la Pocket Cinema Camera 4K.

Marque	Nom de la carte	Stockage
Angelbird	SSD2GO PKT	512GB
Angelbird	SSD2GO PKT	2TB
Samsung	Portable SSD T5	1TB
Wise	PTS-256 Portable SSD	256GB
Wise	PTS-512 Portable SSD	512GB
Wise	PTS-1024 Portable SSD	1TB

Les disques USB-C suivants sont recommandés pour enregistrer en 4K DCI 3:1 RAW jusqu'à 60 im/s sur la Pocket Cinema Camera 4K.

Marque	Nom de la carte	Stockage
Angelbird	SSD2GO PKT	512GB
Angelbird	SSD2GO PKT	2TB
Samsung	Portable SSD T5	500GB
Samsung	Portable SSD T5	1TB
Wise	PTS-256 Portable SSD	256GB
Wise	PTS-512 Portable SSD	512GB
Wise	PTS-1024 Portable SSD	1TB

Assistance

Le moyen le plus rapide d'obtenir de l'aide est d'accéder aux pages d'assistance en ligne de Blackmagic Design et de consulter les dernières informations concernant votre caméra.

Pages d'assistance en ligne de Blackmagic Design

Les dernières versions du manuel, du logiciel et des notes d'assistance peuvent être consultées sur la page d'assistance technique de Blackmagic Design : www.blackmagicdesign.com/fr/support.

Contactez le service d'assistance de Blackmagic Design

Si vous ne parvenez pas à trouver l'aide dont vous avez besoin dans notre matériel de support, veuillez utiliser l'option « Envoyez-nous un email » disponible sur la page d'assistance pour envoyer une demande d'assistance par email. Vous pouvez également cliquer sur le bouton « Trouver un support technique » situé sur la page d'assistance et contacter ainsi le centre de support technique Blackmagic Design le plus proche de chez vous.

Vérification du logiciel actuel

Pour vérifier quelle version du logiciel Blackmagic Camera Setup utility est installée sur votre ordinateur, ouvrez la fenêtre intitulée About Blackmagic Camera Setup utility.

- Sur macOS, ouvrez le Blackmagic Camera Setup utility à partir du dossier Applications. Sélectionnez About Blackmagic Camera Setup utility dans le menu d'application pour connaître le numéro de version.
- Sur Windows, ouvrez le logiciel Blackmagic Camera Setup utility dans votre menu de Démarrage ou sur l'écran de Démarrage. Cliquez sur le menu Aide et sélectionnez About Blackmagic Camera Setup utility pour connaître le numéro de version.

Comment obtenir les dernières mises à jour du logiciel

Après avoir vérifié la version du logiciel Blackmagic Camera Utility installée sur votre ordinateur, veuillez vous rendre sur la page d'assistance Blackmagic Design à l'adresse suivante www.blackmagicdesign.com/fr/support pour vérifier les dernières mises à jour. Même s'il est généralement conseillé d'exécuter les dernières mises à jour, il est prudent d'éviter d'effectuer une mise à jour logicielle au milieu d'un projet important.

Avis réglementaires

Élimination des déchets d'équipements électriques et électroniques au sein de l'Union européenne.



Le symbole imprimé sur ce produit indique qu'il ne doit pas être jeté avec les autres déchets. Cet appareil doit être déposé dans un point de collecte agréé pour être recyclé. Le tri, l'élimination et le recyclage séparés de vos équipements usagés permettent de préserver les ressources naturelles et d'assurer le recyclage de ces équipements dans le respect de l'homme et de l'environnement. Pour plus d'informations quant aux lieux d'éliminations des déchets d'équipements électriques, vous pouvez contacter votre mairie ou le service local de traitement des ordures ménagères.

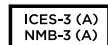


Cet équipement a été testé et déclaré conforme aux limites imposées aux appareils numériques de classe A, en vertu du chapitre 15 des règles de la FCC. Ces limites ont pour objectif d'assurer une protection suffisante contre les interférences nuisibles lorsque l'équipement est utilisé dans un environnement commercial. Cet équipement génère, utilise et peut dégager de l'énergie de radiofréquence et, s'il n'est pas installé et utilisé conformément au manuel d'utilisation, peut provoquer un brouillage préjudiciable aux communications radio. L'utilisation de cet équipement en zone résidentielle est susceptible de provoquer des interférences nuisibles, auquel cas il sera demandé à l'utilisateur de corriger ces interférences à ses frais.

L'utilisation de cet appareil est soumise aux deux conditions suivantes :

- 1 Cet appareil ne doit pas causer d'interférences nuisibles.
- 2 Cet appareil doit accepter toute interférence reçue, y compris les interférences pouvant entraîner un dysfonctionnement.

Déclaration de ISDE Canada



Cet appareil est conforme aux normes canadiennes relatives aux appareils numériques de Classe A.

Toute modification ou utilisation de ce produit en dehors de son utilisation prévue peut annuler la conformité avec ces normes.

Les connexions aux interfaces HDMI doivent être effectuées avec des câbles HDMI blindés d'excellente qualité.

Cet équipement a été testé pour être en conformité avec une utilisation prévue dans un environnement commercial. Si cet équipement est utilisé dans un environnement domestique, il peut provoquer des interférences radio.

Bluetooth®

Ce produit est doté de la technologie sans fil Bluetooth.

Contient un module émetteur identification FCC: QOQBGM113

Cet équipement est conforme aux limites de radiation de la FCC comme indiqué pour un environnement non contrôlé.

Contient un module émetteur IC: 5123A-BGM113

Ce produit est conforme aux normes RSS sans licence d'Industrie Canada et aux limites applicables à l'exemption de l'évaluation courante DAS comme mentionné dans la RSS-102 Issue 5.

Certifié pour le Japon, numéro de certification : 209-J00204. Cet équipement contient des équipements radioélectriques spécifiques qui ont obtenu la certification de la conformité aux réglementations techniques conformément à la Loi de la Radio.

Ce module est certifié en Corée du Sud, numéro de certification KC :
MSIP-CRM-BGT-BGM113

Par la présente, Blackmagic Design déclare que ce produit utilisant des systèmes de transmission à large bande dans la bande ISM de 2,45 GHz est conforme à la Directive 2014/53/EU.

Pour obtenir le texte intégral de la déclaration EU de conformité, veuillez nous contacter à l'adresse suivante : compliance@blackmagicdesign.com

Informations de sécurité

La Blackmagic Pocket Cinema Camera peut être utilisée dans un climat tropical lorsque la température ambiante n'excède pas 40°C.

Les pièces de cet appareil ne sont pas réparables par l'opérateur. Toute opération d'entretien doit être effectuée par un centre de service Blackmagic Design.

En cas d'ensoleillement, prenez soin de garder votre caméra à l'ombre. Évitez toute exposition de la caméra ou de la batterie en lithium à un ensoleillement prolongé. Gardez les batteries en lithium à l'abri des sources de chaleur.



Lorsque vous utilisez l'adaptateur secteur fourni, cet appareil peut uniquement être utilisé à une altitude inférieure à 2000 mètres.

Déclaration de l'État de Californie

Ce produit est susceptible de vous exposer à des produits chimiques, dont des traces de polybromobiphényle dans les parties en plastique, reconnu par l'État de Californie comme étant responsable de cancers, d'anomalies congénitales ou d'autres effets nocifs sur la reproduction.

Pour de plus amples informations, veuillez vous rendre sur www.P65Warnings.ca.gov.

Garantie

Garantie limitée

Par la présente, Blackmagic Design garantit que ce produit sera exempt de défauts matériels et de fabrication pendant une durée d'un an à compter de la date d'achat. Si un produit s'avère défectueux pendant la période de garantie, Blackmagic Design peut, à sa seule discrétion, réparer le produit défectueux sans frais pour les pièces et la main-d'œuvre, ou le remplacer.

Pour se prévaloir du service offert en vertu de la présente garantie, il vous incombe d'informer Blackmagic Design de l'existence du défaut avant expiration de la période de garantie, et de prendre les mesures nécessaires pour l'exécution des dispositions de ce service. Le consommateur a la responsabilité de s'occuper de l'emballage et de l'expédition du produit défectueux au centre de service nommé désigné par Blackmagic Design, en frais de port prépayé. Il incombe au Consommateur de payer tous les frais de transport, d'assurance, droits de douane et taxes et toutes autres charges relatives aux produits qui nous auront été retournés et ce, quelle que soit la raison.

La présente garantie ne saurait en aucun cas s'appliquer à des défauts, pannes ou dommages causés par une utilisation inappropriée ou un entretien inadéquat ou incorrect. Blackmagic Design n'est en aucun cas obligé en vertu de la présente garantie : a) de réparer les dommages résultant de tentatives de réparations, d'installations ou tous services effectués par du personnel non qualifié par Blackmagic Design, b) de réparer tout dommage résultant d'une utilisation inadéquate ou d'une connexion à du matériel incompatible, c) de réparer tout dommage ou dysfonctionnement causé par l'utilisation de pièces ou de fournitures n'appartenant pas à la marque de Blackmagic Design, d) d'examiner un produit qui a été modifié ou intégré à d'autres produits quand l'impact d'une telle modification ou intégration augmente les délais ou la difficulté d'examiner ce produit.

CETTE GARANTIE REMPLACE TOUTE GARANTIE EXPLICITE OU TACITE. BLACKMAGIC DESIGN ET SES REVENDEURS DÉCLINENT EXPRESSÉMENT TOUTE GARANTIE IMPLICITE DE COMMERCIALISATION OU D'ADAPTATION QUEL QU'EN SOIT LE BUT. LA RESPONSABILITÉ DE BLACKMAGIC DESIGN POUR RÉPARER OU REMPLACER UN PRODUIT S'AVÉRANT DÉFECTUEUX DURANT LA PÉRIODE DE GARANTIE CONSTITUE LA TOTALITÉ ET LE SEUL RECOURS EXCLUSIF PRÉVU ET FOURNI AU CONSOMMATEUR. BLACKMAGIC DESIGN NE POURRA ÊTRE TENU POUR RESPONSABLE POUR TOUT DOMMAGE INDIRECT, SPÉCIFIQUE, ACCIDENTEL OU CONSÉCUTIF, PEU IMPORTE QUE BLACKMAGIC DESIGN OU SES REVENDEURS AIENT ÉTÉ INFORMÉS OU SE SOIENT RENDUS COMPTE AU PRÉALABLE DE L'ÉVENTUALITÉ DE CES DOMMAGES. BLACKMAGIC DESIGN NE PEUT ÊTRE TENU POUR RESPONSABLE DE TOUTE UTILISATION ILLICITE DU MATÉRIEL PAR LE CONSOMMATEUR. BLACKMAGIC DESIGN N'EST PAS RESPONSABLE DES DOMMAGES RÉSULTANT DE L'UTILISATION DE CE PRODUIT. LE CONSOMMATEUR MANIPULE CE PRODUIT À SES SEULS RISQUES.

© Copyright 2019 Blackmagic Design. Tous droits réservés. 'Blackmagic Design', 'URSA', 'DeckLink', 'HDLINK', 'Workgroup Videohub', 'Multibridge Pro', 'Multibridge Extreme', 'Intensity' et 'Leading the creative video revolution' sont des marques déposées aux États-Unis et dans les autres pays. Tous les autres noms de société et de produits peuvent être des marques déposées des sociétés respectives auxquelles ils sont associés.

Le nom de la marque Bluetooth ainsi que ses logos sont des marques déposées et sont la propriété de Bluetooth SIG, Inc. L'utilisation de ces marques par Blackmagic Design est sous licence. Les autres marques déposées et noms de marques appartiennent à leurs propriétaires respectifs.



Installations- und Bedienungsanleitung

Blackmagic Pocket Cinema Camera

Für die Modelle Blackmagic Pocket Cinema Camera 6K
und Blackmagic Pocket Cinema Camera 4K

November 2019

Deutsch



Willkommen

Vielen Dank, dass Sie sich zum Kauf der neuen Blackmagic Pocket Cinema Camera entschieden haben!

Die ursprüngliche Blackmagic Pocket Cinema Camera haben wir 2013 herausgegeben. Uns hat die Vorstellung begeistert, eine kleine Kamera mit einem hohen Dynamikumfang und bahnbrechender Bildqualität zu erschaffen, die man überallhin mitnehmen kann. Das fantastische Feedback aus Nutzerkreisen und die vielen Nachfragen nach einer 4K-Version veranlassten uns, tatsächlich eine zu bauen. 2018 haben wir die Blackmagic Pocket Cinema Camera 4K herausgebracht. Jetzt stellen wir mit Freude die Blackmagic Pocket Cinema Camera 6K vor!

Die Blackmagic Pocket Cinema Camera 6K hat einen Sensor im Super-35-Format und einen EF-Objektivanschluss an Bord. Die Blackmagic Pocket Cinema Camera 4K verfügt über den gleichen Micro-Four-Thirds-Objektivanschluss wie die originale Pocket Cinema Camera. Sie können also weiterhin Ihre vorhandenen MFT-Objektive nutzen. Die Blackmagic Pocket Cinema Camera 4K zeichnet 4K-Video mit 60 fps und HD-Video mit bis zu 120 fps auf CFast- oder UHS-II-SD-Karten auf. Die Blackmagic Pocket Cinema Camera 6K steigert dieses Leistungsvermögen weiter und ermöglicht auch die Aufzeichnung von 2,8K-Video mit 120 fps und 6K-Video mit bis zu 60 fps. Der USB-C-Port ermöglicht die Aufzeichnung auf externe Laufwerke. Sie können ein Laufwerk also von der Kamera trennen und es für einen sofortigen Datei-Workflow direkt an Ihren Computer anschließen.

Mit dem Dynamikumfang von 13 Blendenstufen und dem „Dual Native ISO“-Modus mit zwei Grundempfindlichkeiten des Sensors lassen sich herrlich saubere filmische Bilder in variierenden Lichtverhältnissen erfassen. Über den integrierten 5-Zoll-Touchscreen können Sie ganz einfach den Fokus überprüfen und feinste Details erkennen – selbst bei hellem Tageslicht. Und über vier eingebaute Mikrofone können Sie hochwertigen Ton direkt mit der Kamera aufnehmen!

Blackmagic Pocket Cinema Cameras werden aus einem carbonfaserverstärkten Verbundmaterial hergestellt. Sie sind unglaublich robust, sehr leicht und können problemlos überallhin mitgenommen werden. Ihre Kamera kann über einen regulären LP-E6-Akku, einen AC-Adapter oder eine externe 12V-DC-Quelle mit Strom versorgt werden. Überdies ist nun auch unser Blackmagic-RAW-Codec erfolgreich in diese Kameras integriert. Er bietet Ihnen die Flexibilität der RAW-Bildbearbeitung in einer einzigen Datei und damit sehr viel mehr Leistung bei reduzierten Dateigrößen.

Wir sind extrem gespannt auf die kreativen Werke, die Sie mit Ihrer neuen Blackmagic Pocket Cinema Camera produzieren, und freuen uns auf Ihr Feedback und Vorschläge zu neuen Features für die Blackmagic Pocket Cinema Camera.

Grant Petty

CEO Blackmagic Design

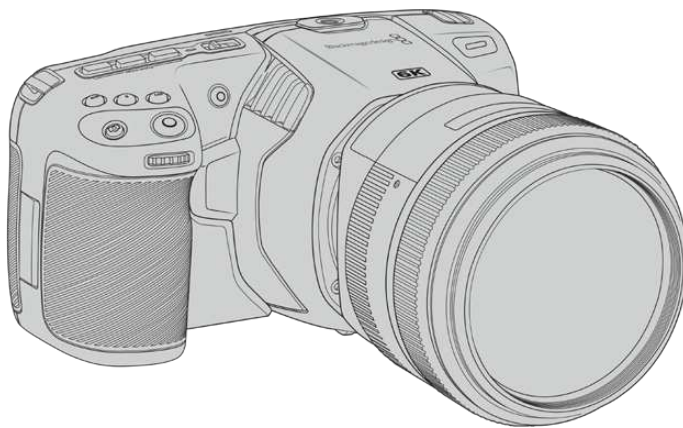
Inhaltsverzeichnis

Mit welcher Kamera arbeiten Sie?	441	PRESETS	518
Erste Schritte	442	3D-LUTs	520
Anbringen eines Objektivs	442	Eingabe von Metadaten	523
Stromversorgung der Kamera	443	Slate	523
Verwendung eines Blackmagic Pocket Camera Battery Grips	443	Videoausgabe der Kamera	528
Stromversorgung der Kamera über das mitgelieferte Stromkabel	445	Verwendung von DaVinci Resolve	529
Speichermedien	446	Project Manager	529
CFast-Karten	446	Schneiden im Cut-Arbeitsraum	530
SD-Karten	447	Einfügen von Clips in die Timeline	533
USB-C-Laufwerke	449	Bearbeiten von Clips in der Timeline	534
Datenträger für die Aufnahme vorbereiten	451	Hinzufügen von Titeln	534
Vorbereiten von Datenträgern mit einer Blackmagic Pocket Cinema Camera	451	Mit Blackmagic-RAW-Dateien arbeiten	535
Datenträger auf Mac-Systemen vorbereiten	453	Farbkorrektur von Clips im Color- Arbeitsraum	538
Datenträger auf Windows- Systemen vorbereiten	454	Hinzufügen eines Power Windows	541
Aufzeichnen	455	Mit Plug-ins arbeiten	543
Aufzeichnen von Clips	455	Mixen von Ton	544
Blackmagic RAW	456	Hinzufügen von VFX und Compositing im Fusion-Arbeitsraum	548
In Blackmagic RAW aufzeichnen	457	Mastern Ihres Schnitts	557
Maximale Sensor-Frameraten	459	Quick Export	557
Aufzeichnungsdauer	461	Der Deliver-Arbeitsraum	558
Wiedergabe	466	Arbeiten mit Fremdhersteller-Software	559
Funktionsmerkmale der Kamera	467	Arbeiten mit Dateien auf CFast-2.0- und SD-Karten	559
Kameravorderseite	467	Arbeiten mit Dateien von USB-C- Laufwerken	559
Rechte Kameraseite	468	Verwendung von Final Cut Pro X	560
Linke Kameraseite	468	Verwendung von Avid Media Composer 2018	560
Kameraoberseite	470	Verwendung von Adobe Premiere Pro CC	561
Kameraunterseite	471	Blackmagic Camera Setup Utility (Dienstprogramm)	562
Kamerarückseite	472	Empfohlene Speichermedien	563
Bedienung per Touchscreen	473	CFast-2.0-Karten	563
Einstellungen	494	SD-Karten	569
Dashboard	494	USB-C-SSDs	572
AUFNAHME-Einstellungen	494	Hilfe	576
Dateinamenskonventionen	499	Gesetzliche Vorschriften	577
MONITOR-Einstellungen	500	Sicherheitshinweise	578
AUDIO-Einstellungen	506	Garantie	579
SETUP-Einstellungen	509		

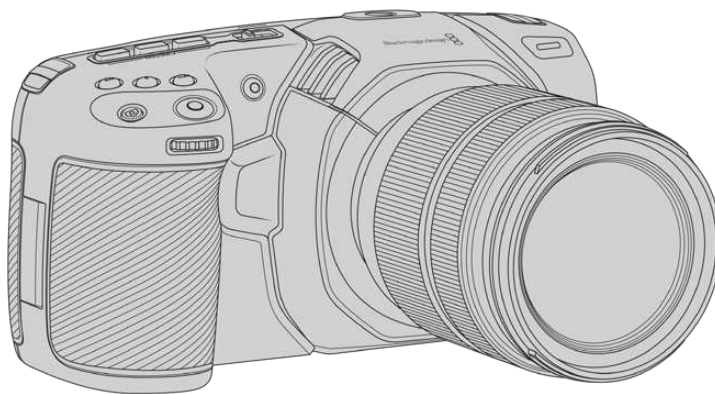
Mit welcher Kamera arbeiten Sie?

Äußerlich sehen die beiden Modelle Blackmagic Pocket Cinema Camera 6K und Blackmagic Pocket Cinema Camera 4K ähnlich aus. Beide Kameramodelle erzeugen sagenhafte Bilder mit einem breiten Dynamikumfang und der Grundaufbau ihrer Gehäuse ist der gleiche. Die Bedientasten und Softwaremenüs sind gleich aufgebaut und auch die Bedienung unterscheidet sich kaum.

Die Blackmagic Pocket Cinema Camera 6K ist mit einem Sensor im Super-35-Format und einem EF-Objektivanschluss ausgestattet. Über dem Objektivanschluss trägt sie den Schriftzug „6K“. Die Blackmagic Pocket Cinema Camera 4K hat einen Micro-Four-Thirds-Sensor nebst Micro-Four-Thirds-Objektivanschluss an Bord.



Blackmagic Pocket Cinema Camera 6K



Blackmagic Pocket Cinema Camera 4K

Erste Schritte

Blackmagic Pocket Cinema Camera Modelle sind kleine tragbare Digitalkameras, die Bilder in hoher Qualität auf CFast-2.0-Karten, UHS-I- und UHS-II-SD-Karten oder über den USB-C-Port auf SSDs aufzeichnen. Ihre Pocket Cinema Camera hat die Kapazität, Clips mit professionellen, für die Postproduktion konzipierten Codecs u. a. in Blackmagic RAW und ProRes aufzuzeichnen.

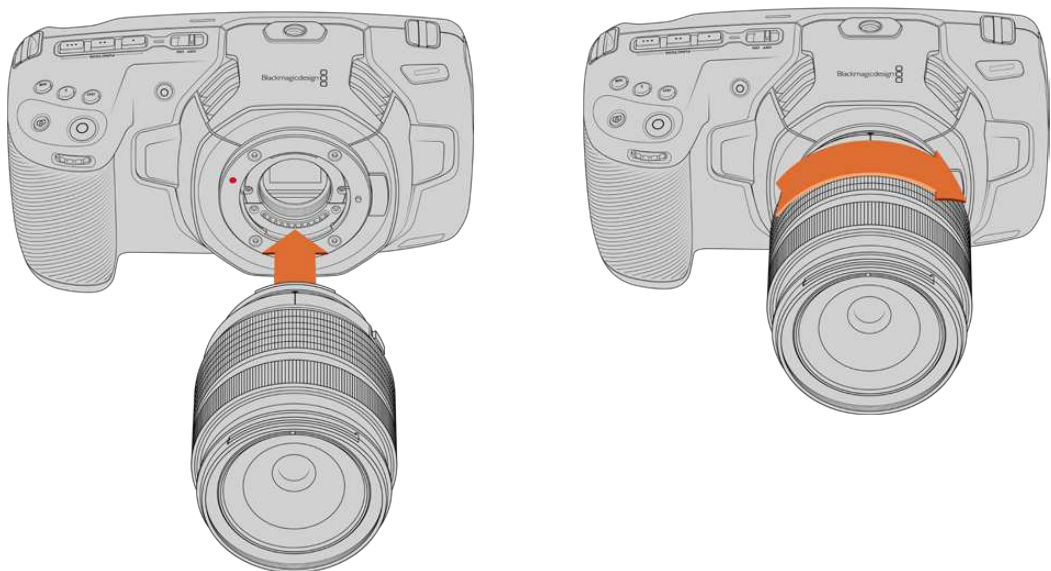
Die ersten Arbeitsschritte mit Ihrer Blackmagic Pocket Cinema Camera sind einfach: Stecken Sie ein Objektiv auf und schalten Sie Ihre Kamera ein.

Anbringen eines Objektivs

Die Blackmagic Pocket Cinema Camera 6K ist für EF-Objektive und die Blackmagic Pocket Cinema Camera 4K für Micro-Four-Thirds-Objektive ausgelegt. Beides sind sehr gängige und erschwingliche Objektivtypen, die in enormer Vielfalt angeboten werden. Der Vorgang des Objektivaufsteckens auf Ihre Kamera ist bei der Blackmagic Pocket Cinema Camera 6K der gleiche wie bei der Pocket Cinema Camera 4K. Für beide Modelle gilt es, zuerst die Staubschutzkappe abzunehmen. Halten Sie zum Entfernen der Staubschutzkappe die Verriegelungstaste gedrückt und drehen Sie die Kappe gegen den Uhrzeigersinn, bis sie sich löst.

So bringen Sie ein EF- oder Micro-Four-Thirds-Objektiv an:

- 1 Richten Sie den Punkt an Ihrem Objektiv auf den Punkt am Objektivanschluss der Kamera aus. Viele Objektive verfügen über eine Ansetzmarkierung, bspw. einen blauen, roten oder weißen Punkt.
- 2 Setzen Sie den Objektivanschluss an den Kameraanschluss (Mount) und drehen Sie das Objektiv im Uhrzeigersinn, bis es einrastet.
- 3 Halten Sie zum Abnehmen des Objektivs die Verriegelungstaste gedrückt und drehen Sie es gegen den Uhrzeigersinn, bis die Ansetzmarkierung erreicht ist. Bei einem MFT-Objektiv ist das die 10-Uhr-Position und bei einem EF-Objektiv die 12-Uhr-Position. Nehmen Sie das Objektiv vorsichtig ab.



So bringen Sie ein MFT-Objektiv an der Blackmagic Pocket Cinema Camera 4K an

HINWEIS Wenn kein Objektiv an der Kamera angebracht ist, liegt der den sensorschützende Glasfilter frei und ist der Verschmutzung durch Staub oder andere Ablagerungen ausgesetzt. Es empfiehlt sich, die Gehäuseverschlusskappe möglichst ständig an der Kamera zu belassen.

Stromversorgung der Kamera

Nachdem Sie ein Objektiv angebracht haben, versorgen Sie Ihre Kamera mit Strom. Die Blackmagic Pocket Cinema Camera kann mit einem in die Kamera eingesteckten LP-E6-Akku oder über zwei in den Blackmagic Pocket Camera Battery Grip eingesteckte NP-F570-Akkus gespeist werden. Alternativ schließen Sie die Kamera über das mitgelieferte Netzteil ans Stromnetz an.

Einlegen eines Akkus und Stromversorgung Ihrer Kamera

Ihre Kamera wird mit handelsüblichen herausnehmbaren LP-E6-Akkus betrieben. Ein Akku wird mit der Kamera geliefert. Zusätzliche Akkus sind von Blackmagic Design Resellern oder in den meisten Video- und Fotofachgeschäften erhältlich.

- 1 Um das Akkufach an der Kameraunterseite zu öffnen, entriegeln Sie die Schiebetaste.
- 2 Setzen Sie den LP-E6-Akku mit den Kontakten voran ein, bis er spürbar einrastet.

TIPP Um das Akkufach zu öffnen und den Akku zu entnehmen, bewegen Sie die Schiebetaste in Richtung des Objektivs.

- 3 Schließen Sie das Akkufach, indem Sie den Deckel bis zum Einrasten vorsichtig andrücken.
- 4 Stellen Sie den Ein-/Ausschalter auf der Oberseite Ihrer Kamera auf ON. Um die Kamera auszuschalten, stellen Sie den Ein-/Ausschalter auf OFF.

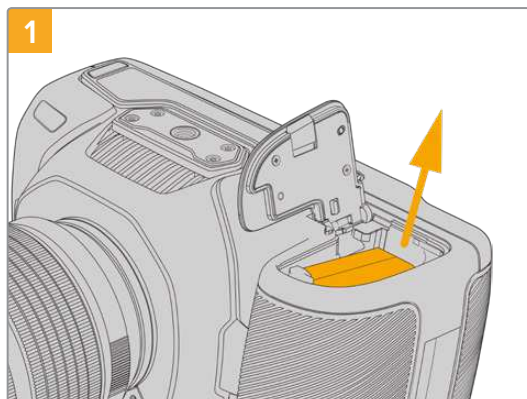
Verwendung eines Blackmagic Pocket Camera Battery Grips

Wenn Sie in Besitz eines Blackmagic Pocket Camera Battery Grips sind, empfiehlt es sich, diesen anzuschließen, bevor Sie Ihre Kamera mit Strom versorgen. Der Blackmagic Pocket Camera Battery Grip ist für den Einsatz mit den Kameramodellen Pocket Cinema Camera 6K und Pocket Cinema Camera 4K ausgelegt.

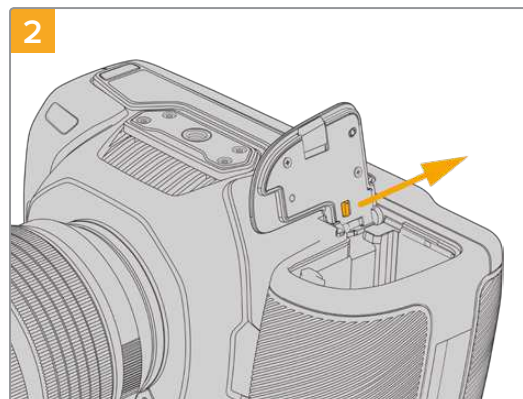
Über den Blackmagic Pocket Camera Battery Grip wird Ihre Kamera mit einem horizontalen Haltegriff erweitert. Der Battery Grip fasst zwei NP-F570-Akkus der L-Serie, damit Sie über zwei Stunden lang ununterbrochen drehen können. Der 12-Volt-DC-Stromanschluss der Kamera ermöglicht das Aufladen der Akkus im Griff und versorgt die Kamera während des Akkuwechsels mit Strom. Im ausgeschalteten Zustand der Kamera werden die Akkus im Griff über den USB-C-Port aufgeladen.

So bringen Sie einen Blackmagic Pocket Camera Battery Grip an:

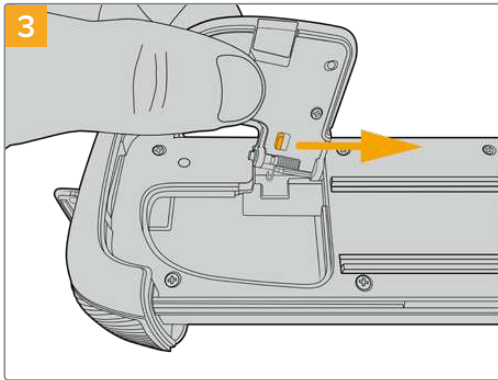
Bevor Sie einen Blackmagic Pocket Camera Battery Grip an Ihre Pocket Cinema Camera anbringen, schalten Sie die Kamera aus und trennen externe Stromquellen.



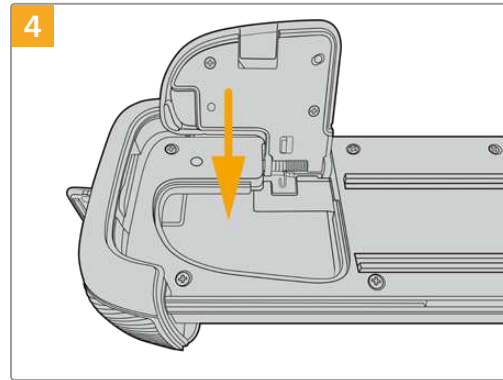
1 Öffnen Sie das Akkufach der Kamera und entnehmen Sie den LP-E6-Akku.



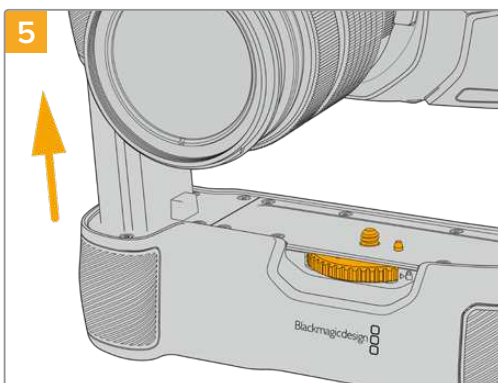
2 Schieben Sie den Schieber am Scharnier der Akkufachabdeckung in Richtung Kamerarücken und nehmen Sie die Abdeckung von der Kamera ab.



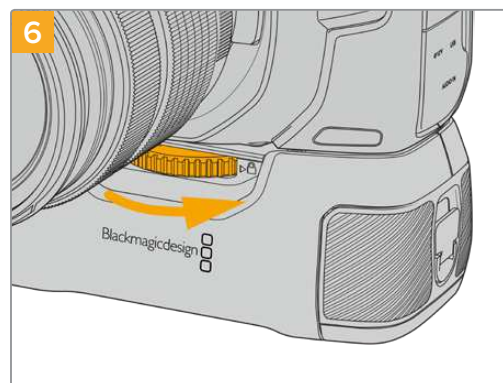
Zur sicheren Aufbewahrung stecken Sie die Akkufachabdeckung in die dafür vorgesehene Vertiefung an der Unterseite der Akkuschale.



Klappen Sie die Akkufachabdeckung zu, damit sie mit der Unterseite des Akkueinschubs eine Ebene bildet.

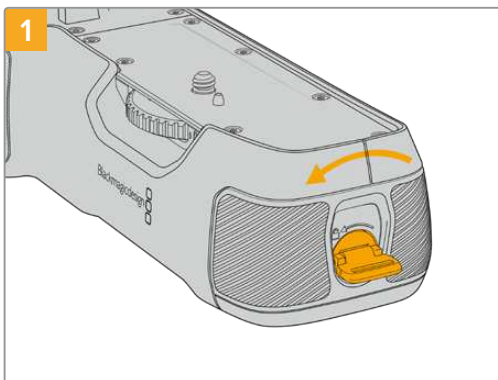


Führen Sie den akkuförmigen Teil des Akkugriffs in das Akkufach Ihrer Kamera ein. Die 1/4-Zoll-Schraube an der Oberseite des Akkugriffs sollte dabei auf das 1/4-Zoll-20-Befestigungsgewinde am Kameraboden ausgerichtet werden. Ein kleiner Stift neben der 1/4-Zoll-Schraube erleichtert die Ausrichtung.

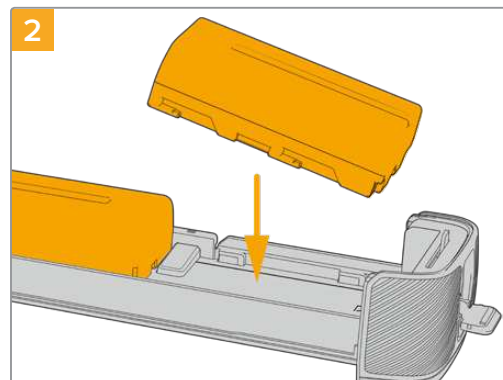


Um den Akkugriff sicher an der Kamera festzuschrauben, drehen Sie das Rad an der Vorderseite des Griffs nach rechts.

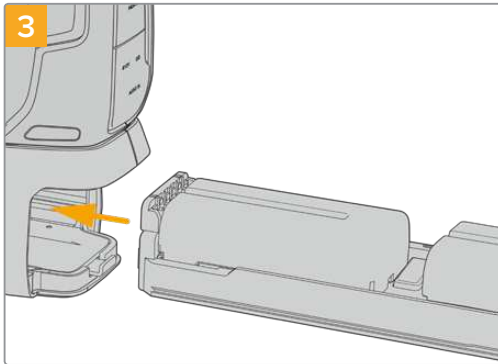
So setzen Sie Akkus in einen Blackmagic Pocket Camera Battery Grip ein:



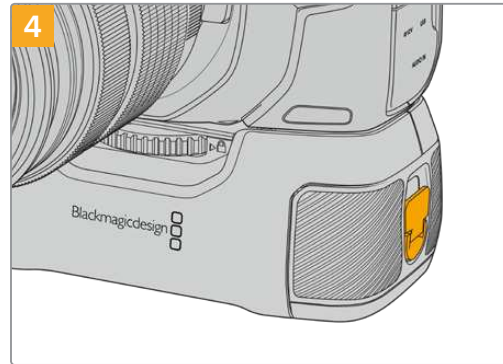
Drehen Sie die Verriegelungslasche an der rechten Seite des Akkugriffs gegen den Uhrzeigersinn, um ihn zu entriegeln. Ziehen Sie den Akkueinschub heraus. Dies ist möglich, bevor oder nachdem Sie den Blackmagic Pocket Battery Grip an Ihre Kamera angebracht haben.



Legen Sie zwei NP-F570-Akkus unter Beachtung ihrer korrekten Ausrichtung in den Akkueinschub ein und schieben Sie sie voneinander weg. Zwischen den beiden Akkus springt ein Sperrknopf nach oben, woraufhin die Akkus einrasten. Zum Herausnehmen der Akkus drücken Sie auf den Sperrknopf und schieben die Akkus wieder aufeinander zu.



Führen Sie den Akkuträger in den Akkuhalter ein und drehen die Verriegelungslasche im Uhrzeigersinn. Wird Ihre Kamera über einen DC-Stromanschluss mit externem Strom versorgt, können Sie auch während eines Akkuwechsels weiterfilmen.



Drehen Sie die Verriegelungslasche an der rechten Seite des Akkuhalters im Uhrzeigersinn, um ihn zu verriegeln.

HINWEIS Wenn Sie einen Blackmagic Pocket Camera Battery Grip mit zwei eingelegten Akkus an Ihre Kamera angebracht haben, werden in der oberen rechten Ecke des LCD-Touchscreens zwei Akkubalken angezeigt, anhand der Sie den Akkuladestand für beide Akku getrennt überwachen können. Weitere Informationen hierzu finden Sie im Abschnitt „Stromversorgung“.

Stromversorgung der Kamera über das mitgelieferte Stromkabel

Das mitgelieferte Steckernetzteil für 100–240 V versorgt die Kamera mit Strom und lädt gleichzeitig den LP-E6-Akku oder bei Anschluss eines Blackmagic Pocket Camera Battery Grips auch zwei NP-F570-Akkus. Der kameraseitige DC-Stecker ist mit einem Metallüberwurf versehen, damit er sich nicht versehentlich von der Kamera lösen kann.

So koppeln Sie die Kamera an eine externe Stromquelle:

- 1 Stecken Sie den AC-nach-12V-DC-Adapterstecker in eine Netzstrom-Steckdose.
- 2 Öffnen Sie die Gummiabdeckung auf der linken Seite Ihrer Kamera und drehen Sie den DC-Stecker so, dass er auf die Vertiefung des 12V-DC-Eingangs ausgerichtet ist. Schieben Sie den Stecker behutsam in den Eingang, bis er einrastet.
- 3 Um den Stecker vom Anschluss zu trennen, ziehen Sie den Metallüberwurf vom Steckerkopf weg.

Ist die Kamera gleichzeitig an eine externe Stromquelle und an Akkustrom angeschlossen, so wird nur die externe Stromzufuhr benutzt. Wenn der Akku geladen ist, schaltet Ihre Kamera unterbrechungsfrei auf Akkustrom um, sobald die externe Stromquelle entfernt wird.

Der LP-E6-Akku Ihrer Kamera kann im ausgeschalteten Zustand über USB aufgeladen werden. Das ist praktisch, da Sie zum Aufladen der nicht benutzten Kamera eine tragbare Powerbank nutzen können. Blackmagic Pocket Cinema Camera Modelle unterstützen das Laden über standardmäßige 10W-USB-Wandladegeräte sowie Ladegeräte für USB Power Delivery, auch USB-PD genannt. USB-PD-Ladegeräte verfügen gewöhnlich über einen USB-C-Anschluss und geben Strom mit bis zu 20 Volt aus, was das Aufladen beschleunigt. Das Aufladen des LP-E6-Akkus über den 12V-DC-Stromanschluss wird sowohl bei eingeschalteter als auch bei ausgeschalteter Kamera unterstützt.

TIPP Wenn Sie einen erhitzten Akku unmittelbar nach Benutzung laden, ist die Ladegeschwindigkeit vermindert, bis der Akku sich auf 45 °C abkühlt. Wir empfehlen daher, den Akku vor dem Laden 15 Minuten lang abkühlen zu lassen.

Sie können nun die Speichermedien einlegen und mit dem Aufnehmen beginnen!

Speichermedien

Ihre Blackmagic Pocket Cinema Camera zeichnet Video auf handelsübliche SD-Karten, schnellere UHS-II-SD-Karten oder CFast-2.0-Karten auf.

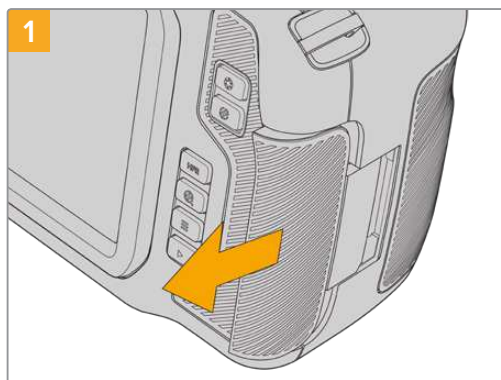
Unter Verwendung des USB-C-Expansionsports können Sie für längere Aufzeichnungsspannen auch USB-C-Laufwerke mit großer Speicherkapazität anschließen.

CFast-Karten

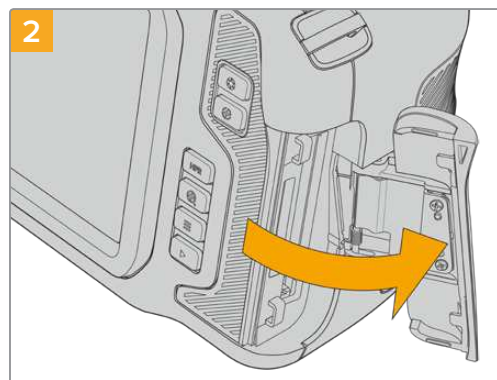
CFast-2.0-Karten unterstützen hohe Datenraten und eignen sich damit perfekt für die Aufzeichnung von 6K-, 4K- und HD-Video mit hohen Frameraten. Näheres zu den maximalen Frameraten spezifischer Formate finden Sie in der Tabellenübersicht zu den Aufzeichnungsspannen im Abschnitt „Aufzeichnen“.

HINWEIS Obwohl CFast-2.0-Karten in der Regel schnell sind, ist die Schreibgeschwindigkeit mancher Karten geringer als die Lesegeschwindigkeit. Zudem können die Datendurchsatzraten zwischen den unterschiedlichen Modellen variieren. Für eine verlässliche Aufzeichnung mit Ihren ausgewählten Frameraten verwenden Sie ausschließlich die von Blackmagic Design empfohlenen Karten.

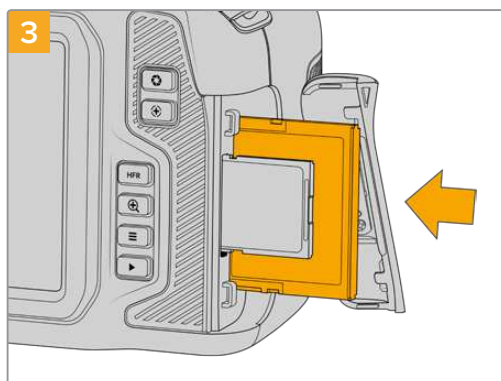
So setzen Sie eine CFast-Karte ein:



Für den Zugriff auf die Speicherkartenschächte schieben Sie die Abdeckung auf der rechten Seite Ihrer Kamera in Richtung Kamerarücken.



Die federbelastete Abdeckung springt auf und legt die CFast- und SD-Speicherkartenschächte frei.

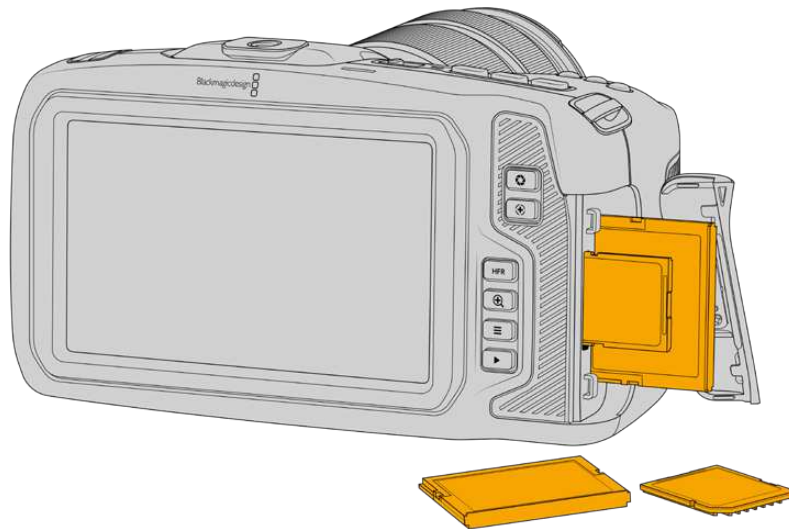


Schieben Sie die CFast-Karte in den dafür vorgesehenen Schacht, bis sie spürbar einrastet. Die Karte sollte sich ohne übermäßigen Kraftaufwand einführen lassen. Um die CFast-Karte zu entfernen und auszuwerfen, schieben Sie sie sanft in die Kamera.



Die Speicherangabe am unteren Rand des LCD-Touchscreens zeigt die Bezeichnung der erkannten CFast-Karte und die auf ihr verbleibende Aufzeichnungsdauer an.

Das Einsetzen einer SD-Karte geht wie bei einer CFast-Karte. Weitere Informationen finden Sie im Abschnitt „So setzen Sie eine SD-Karte ein“.



Auswahl einer CFast-2.0-Karte

Beim Verarbeiten von Videomaterial mit hohen Datenübertragungsraten will genau überlegt sein, welche Art von CFast-Karte man verwendet. Dies ist wichtig, weil CFast-2.0-Karten unterschiedliche Lese- und Schreibgeschwindigkeiten haben.

Eine Liste mit von Blackmagic Design getesteten und empfohlenen CFast-2.0-Karten für die Aufzeichnung mit einer Pocket Cinema Camera finden Sie unter „Empfohlene Speichermedien“.

Aktuellste Informationen zu den von Blackmagic Pocket Cinema Cameras unterstützten CFast-Karten finden Sie im Blackmagic Design Support Center unter www.blackmagicdesign.com/de/support.

SD-Karten

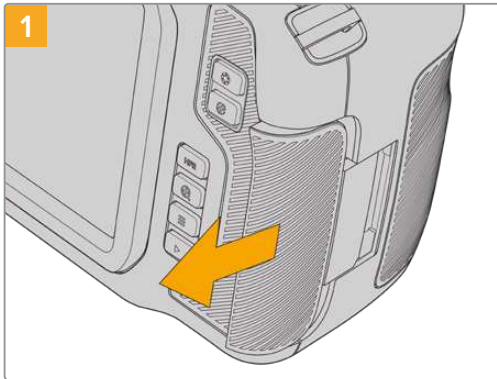
Zusätzlich zu CFast-2.0-Karten kann Ihre Kamera auch auf extrem schnelle UHS-I- und UHS-II-SD-Karten aufzeichnen. UHS-I-SD-Karten ermöglichen es Ihnen, beim Dreh mit komprimierten HD-Videoformaten erschwinglichere Speichermedien zu verwenden. Noch schnellere UHS-II-Karten gestatten Ihnen sogar die Aufzeichnung in Blackmagic RAW sowie von Ultra-HD-Content in ProRes.

SD-Karten ermöglichen außerdem den Einsatz erschwinglicher Speichermedien für Drehs in komprimierten HD-Videoformaten.

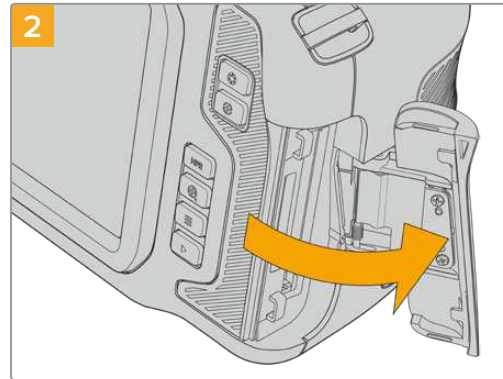
Bei SDXC und SDHC handelt es sich um weit verbreitete Speicherformate, die Benutzer von Standbild- und Videokameras verwenden. Falls Sie schon einmal Videoaufnahmen mit einer DSLR gemacht oder eine Blackmagic Micro Cinema Camera, Blackmagic Pocket Cinema Camera oder einen Blackmagic Video Assist benutzt haben, besitzen Sie möglicherweise bereits kompatible SD-Karten.

Gerade für Projekte, die keine hochauflösten Dateien erfordern, oder für lange Aufzeichnungsspannen, erweisen sich SD-Karten häufig als kostengünstig. SD-Karten mit geringer Leistung und Geschwindigkeit eignen sich auch zum Speichern und Laden von LUTs und Presets.

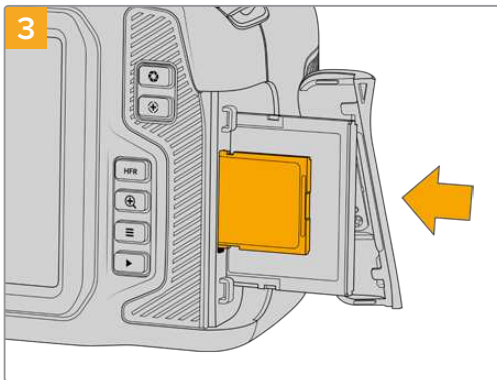
So setzen Sie eine SD-Karte ein:



Für den Zugriff auf die Speicherkartenschächte schieben Sie die Abdeckung auf der rechten Kameraseite in Richtung Kamerarücken.



Die federbelastete Abdeckung springt auf und legt die Speicherkartenschächte frei.



Halten Sie die SD-Karte mit der Beschriftung zum Touchscreen hingewandt und schieben Sie sie in den SD-Kartenschacht, bis sie spürbar einrastet. Die Karte sollte sich ohne übermäßigen Kraftaufwand einführen lassen. Um die SD-Karte zu entfernen und auszuwerfen, schieben Sie sie sanft in die Kamera.



Die Speicherangabe am unteren Rand des LCD-Touchscreens zeigt die Bezeichnung der erkannten CFast-Karte und die auf ihr verbleibende Aufzeichnungsdauer an.

Auswahl einer SD-Karte

Für Aufzeichnungen in 6K, 4K DCI oder Ultra HD empfehlen wir, die schnellsten Hochgeschwindigkeits-SD-Karten des Typs UHS-II zu verwenden. Verwenden Sie für die Aufzeichnung in 6K, 4K DCI, Ultra HD oder HD unbedingt schnelle UHS-II-SD-Karten. Wenn Sie ausschließlich in HD aufzeichnen, eignen sich auch UHS-I-Karten. Diese für hohe Datenraten konzipierten Karten bieten größere Speicherkapazitäten. Allgemein gilt: Je schneller die Karte, desto besser.

Vor Gebrauch müssen Sie Ihre Karten entweder in HFS+ oder exFAT formatieren. Über den Storage Manager der Kamera geht die Formatierung Ihrer Medien ganz einfach. Informationen zu Speichereinstellungen finden Sie im Abschnitt „Einstellungen“.

Sie können Ihre Karten auch mit einem Mac- oder Windows-Computer formatieren. Wer seine Medien auf einem Mac benutzt, verwendet das Mac-Datenträgerformat HFS+, auch bekannt als OS X Extended. Wer auf Windows arbeitet, sollte das Windows-Datenträgerformat exFAT verwenden. Dieses Format können jedoch auch Mac-Computer lesen.

Eine Liste mit von Blackmagic Design getesteten und empfohlenen SD-Karten für die Aufzeichnung auf einer Pocket Cinema Camera finden Sie unter „Empfohlene Speichermedien“.

Aktuellste Informationen zu von der Blackmagic Pocket Cinema Camera unterstützten SD-Karten finden Sie im Blackmagic Design Support Center unter www.blackmagicdesign.com/de/support.

HINWEIS Für hohe Auflösungen und Aufzeichnungen mit hohen Frameraten empfehlen wir, CFast-2.0-Medien oder ein externes USB-C-Laufwerk zu verwenden, weil diese für gewöhnlich schneller und mit größeren Speichervolumen erhältlich sind.

SD-Karten sperren und entsperren

SD-Karten können schreibgeschützt oder „gesperrt“ werden, um zu verhindern, dass Daten überschrieben werden. Vergewissern Sie sich, dass eingelegte Karten nicht schreibgeschützt sind. Der Schreibschutz lässt sich durch Umlegen des kleinen Plastikschiebers an der linken Kartenseite der Kontakte aufheben. Sie können die Karte nach der Aufzeichnung wieder „sperren“.



Schieben Sie den Schieber nach oben oder unten, um eine SD-Karte zu sperren oder zu entsperren

Ihre Blackmagic Pocket Cinema Camera zeigt an, wenn eine gesperrte SD-Karte eingelegt wurde. Statt der Aufnahmedauer der Karte erscheint auf dem LCD-Touchscreen dann das Wort „Gesperrt“ und im Speichermenü wird neben dem Kartennamen ein Schlosssymbol angezeigt. Mit einer gesperrten Karte können Sie weder Videos aufzeichnen noch Standbilder festhalten oder LUTs und Presets exportieren. Das geht erst, wenn die Karte entsperrt ist.

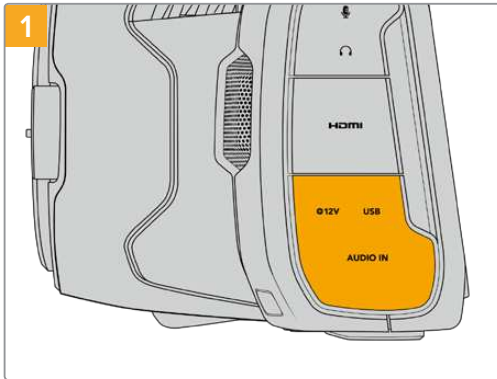


USB-C-Laufwerke

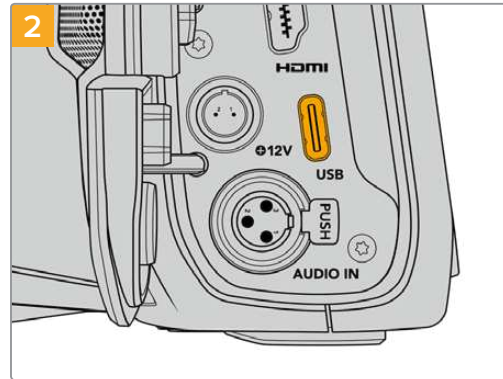
Ihre Blackmagic Pocket Cinema Camera verfügt über einen rasant schnellen USB-C-Expansionsport, über den Sie Video direkt auf USB-C-Laufwerke aufzeichnen können. Mit diesen schnellen, leistungsstarken Laufwerken können Sie Video über lange Zeiträume aufzeichnen, was bei lang andauernden Drehs wichtig sein kann.

Wenn Sie mit der Aufnahme fertig sind, können Sie dasselbe Laufwerk für Schnitt und Postproduktion direkt an Ihren Computer anschließen, ohne die Daten kopieren zu müssen.

So schließen Sie ein USB-C-Laufwerk an:



Öffnen Sie die Gummabdeckung auf der linken Seite der Kamera und stecken Sie das andere Ende des Kabels in den USB-C-Port.



Stecken Sie ein Ende des USB-C-Kabels in Ihr USB-C-Laufwerk.

HINWEIS Wenn ein USB-C-Laufwerk an Ihre Kamera angeschlossen ist, nimmt es im Betriebssystem Ihrer Kamera denselben Platz ein wie die SD-Karte. Haben Sie ein kompatibles USB-C-Laufwerk angeschlossen, ist der SD-Kartenschacht Ihrer Kamera nicht verfügbar.

Um statt des USB-C-Laufwerks den SD-Kartenschacht zu verwenden, trennen Sie das USB-C-Laufwerk von Ihrer Kamera.

Auswahl eines schnellen USB-C-Laufwerks

USB-C-Laufwerke sind darauf ausgelegt, schnellen, erschwinglichen Speicherplatz für vielerlei Geräte zu liefern. Sie sind in zahlreichen Elektronikgeschäften erhältlich. Aus diesem Grund ist die Auswahl des zweckdienlichsten Speichermediums unabdingbar, damit ausreichend hohe Aufzeichnungsgeschwindigkeiten zum Filmen von 6K- und 4K-Ultra-HD-Footage gewährleistet sind.

Vielen für Heimcomputer konzipierten USB-C-Laufwerken fehlt die nötige Geschwindigkeit für Videoaufzeichnungen in 6K und 4K.

Eine Liste mit von Blackmagic Design getesteten und empfohlenen USB-C-Laufwerken für die Aufzeichnung auf einer Pocket Cinema Camera finden Sie unter „Empfohlene Speichermedien“.

Die aktuellste Liste mit empfohlenen USB-C-Laufwerken finden Sie unter www.blackmagicdesign.com/de/support.

Wichtige Hinweise zur Geschwindigkeit von USB-C-Laufwerken

Einige Modelle von USB-C-Laufwerken können Videodaten nicht in der vom Hersteller angegebenen Geschwindigkeit aufzeichnen. Das liegt an der vom Speicher verwendeten versteckten Datenkompression, mit der höhere Schreibgeschwindigkeiten erreicht werden. Mit dieser Datenkompression können Daten nur dann in den vom Hersteller angegebenen Geschwindigkeiten gespeichert werden, wenn es sich um Fülldaten oder einfache Dateien handelt. Videodaten enthalten Videorauschen und zufällige Pixel, die die Komprimierung erschweren und daher die wahre Geschwindigkeit des Speicherträgers offenbaren.

Die Schreibgeschwindigkeit mancher USB-C-Laufwerke kann bis zu 50 % geringer sein als vom Hersteller angegeben. Es kann also sein, dass das USB-C-Laufwerk entgegen der angegebenen technischen Daten nicht schnell genug für die Echtzeitaufzeichnung von Video ist.

Prüfen Sie mithilfe des Blackmagic Disk Speed Tests, ob Ihr USB-C-Laufwerk für die Aufzeichnung und Wiedergabe von hohen Datenraten geeignet ist. Beim Blackmagic Disk Speed Test wird anhand von Daten die Videospeicherung simuliert. Das zeigt Ihnen ähnliche Ergebnisse an, wie sie sich bei der Erfassung von Video auf einer Festplatte ergeben würden. Von Blackmagic durchgeführte Tests haben ergeben, dass neuere, größere Modelle von USB-C-Laufwerken und USB-C-Laufwerke mit höheren Kapazitäten in der Regel schneller sind.

Der Blackmagic Disk Speed Test ist im Mac App Store erhältlich. Windows- und Mac-Versionen sind ebenfalls in der Blackmagic Desktop Video Software enthalten. Diese steht Ihnen im Blackmagic Design Support Center unter „Aufzeichnung und Wiedergabe“ auf www.blackmagicdesign.com/de/support als Download zur Verfügung.

Datenträger für die Aufnahme vorbereiten

Ihre CFast- bzw. SD-Karten oder USB-C-Laufwerke können Sie mithilfe der Funktion „Karte formatieren“ im Speicher- und Formatierungsmenü Ihrer Kamera oder über einen Mac oder Windows Computer formatieren. Für eine optimale Leistung empfiehlt sich die Formatierung Ihrer Speicherkarten mit Ihrer Kamera.

HFS+ wird auch als „OS X Extended“ bezeichnet und ist das empfohlene Format, da es Journaling unterstützt. Auf Datenträgern mit Journaling gespeicherte Daten lassen sich im seltenen Fall einer Beschädigung Ihres Speichermediums mit höherer Wahrscheinlichkeit wiederherstellen. HFS+ wird nativ von Mac unterstützt. exFAT wird von Mac und Windows nativ unterstützt und macht den Kauf zusätzlicher Software überflüssig. Journaling unterstützt es jedoch nicht.

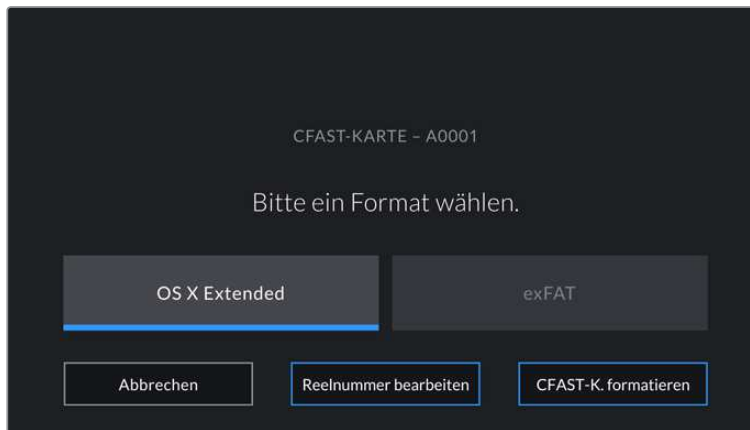
Vorbereiten von Datenträgern mit einer Blackmagic Pocket Cinema Camera

- 1 Tippen Sie auf eine der Speicheranzeigen am unteren Rand des LCD-Touchscreens, um den „Storage Manager“ (Speichermanager) zu öffnen.
- 2 Tippen Sie auf „CFAST-Karte formatieren“ oder „SD-Karte formatieren“. Wenn Sie ein USB-C-Laufwerk an Ihre Kamera angeschlossen haben, wird auf dem Display statt „SD-Karte formatieren“ nun „Laufwerk formatieren“ angezeigt.



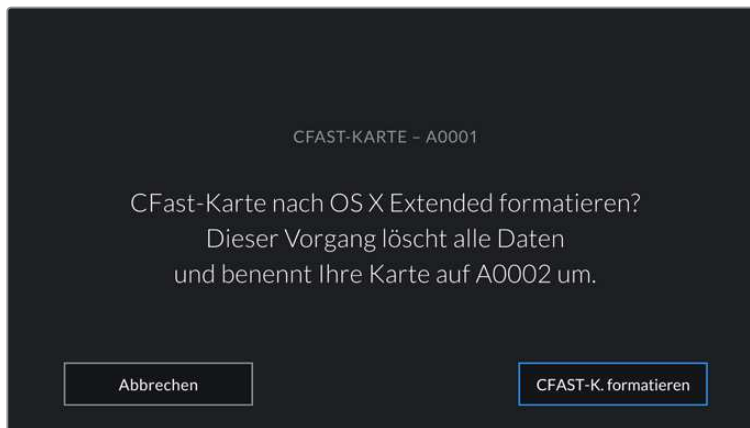
Haben Sie ein USB-C-Laufwerk an Ihre Kamera angeschlossen, erscheint auf dem Speicher- und Formatierungsbildschirm statt „SD-Karte formatieren“ nun „Laufwerk formatieren“

- 3 Tippen Sie auf „Reelnummer bearbeiten“, um die Bandnummer manuell zu ändern. Um eine neue Bandnummer einzugeben, verwenden Sie die Tastatur. Drücken Sie anschließend auf „Aktualisieren“, um Ihre Auswahl zu bestätigen.
- 4 Wählen Sie das Format OS X Extended oder exFAT aus und tippen Sie auf den „Formatieren“-Button.



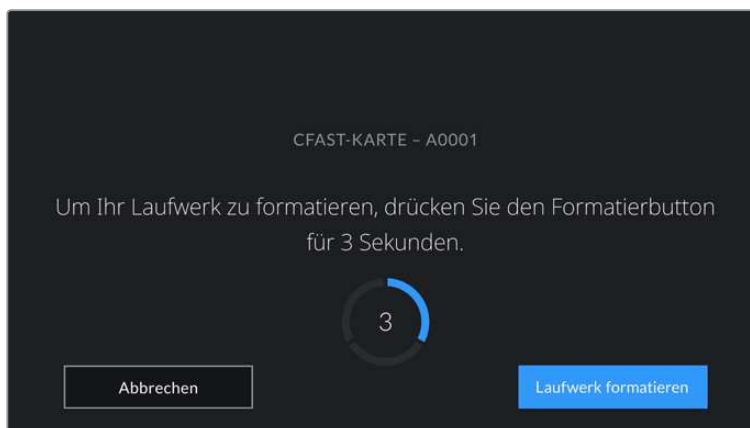
Tippen Sie auf „Reelnummer bearbeiten“, um die Bandnummer manuell zu ändern

- 5 Über ein Bestätigungsfenster können Sie die zu formatierende Karte, das ausgewählte Format und die Bandnummer vorgeben. Bestätigen Sie Ihre Auswahl durch Antippen des „Formatieren“-Buttons. Tippen Sie auf „Abbrechen“, um die Formatierung abzubrechen.



Vergewissern Sie sich vor dem Formatieren, dass Sie die richtige Karte ausgewählt haben

- 6 Halten Sie den „Formatieren“-Button 3 Sekunden lang gedrückt, um Ihr Medium zu formatieren.



- 7 Die Kamera zeigt Ihnen an, wenn die Formatierung abgeschlossen und Ihr Laufwerk einsatzbereit bzw. die Formatierung fehlgeschlagen ist.
- 8 Tippen Sie auf „OK“, um zum Storage Manager zurückzukehren.
- 9 Tippen Sie auf „Beenden“, um den Storage Manager zu verlassen.

Beim Formatieren von CFast- bzw. SD-Karten oder USB-C-Laufwerken mit der Kamera wird die aus der Klappen- und Bandnummer generierte Kamera-ID zur Benennung der Medien verwendet. Ihre Kamera passt die Bandnummern bei jeder Formatierung automatisch schrittweise an. Wenn Sie eine bestimmte Bandnummer manuell eingeben möchten, tippen Sie auf „Reelnummer bearbeiten“ und geben die Nummer vor, die Ihrer Karte bei der Formatierung zugewiesen werden soll.

Wenn Sie ein neues Projekt beginnen und die Nummerierung auf 1 zurücksetzen möchten, tippen Sie auf der PROJEKT-Registerkarte für die Slate auf „Projektdaten zurücksetzen“.



Der Storage Manager Ihrer Kamera zeigt an, ob Sie aktuell mit CFast- bzw. SD-Karten oder USB-C-Flash-Laufwerken arbeiten

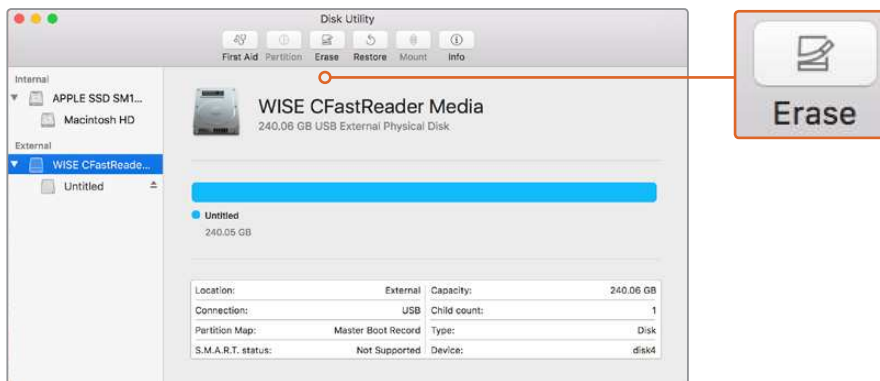
TIPP Wenn die SD-Karte schreibgeschützt ist, wird statt der Aufnahmedauer der Karte auf dem LCD-Touchscreen Ihrer Kamera das Wort „Gesperrt“ und im Speichermenü ein Schlosssymbol angezeigt. Entsperren Sie die Karte, um sie zu formatieren und darauf aufzuzeichnen. Näheres finden Sie im Abschnitt „SD-Karten“ in diesem Handbuch.

HINWEIS Falls Sie ein USB-C-Laufwerk angeschlossen haben, erscheint an der zweiten Speicherstelle „Externes Laufwerk“.

Datenträger auf Mac-Systemen vorbereiten

Benutzen Sie das in Mac enthaltene Festplattendienstprogramm, um Ihre CFast- bzw. SD-Karte oder Ihr USB-Laufwerk in HFS+ oder exFAT zu formatieren. Denken Sie daran, eine Sicherungskopie aller wichtigen Inhalte auf Ihren Datenträgern zu erstellen, da beim Formatieren alle vorhandenen Daten verloren gehen.

- 1 Schließen Sie den Datenträger an Ihren Computer an und ignorieren Sie jegliche Meldungen, die Ihnen die Verwendung für Time Machine Backups anbieten.
- 2 Gehen Sie zu „Programme“ > „Dienstprogramme“ und starten Sie das Festplattendienstprogramm.
- 3 Klicken Sie auf das Laufwerksymbol für das Speichermedium Ihrer Kamera und dann auf „Erase“ (Löschen).
- 4 Geben Sie als Format „Mac OS Extended (Journaled)“ oder „exFAT“ vor.
- 5 Geben Sie einen Namen für das neue Volumen ein und klicken Sie auf „Erase“. Das Speichermedium Ihrer Kamera ist im Nu formatiert und einsatzbereit.

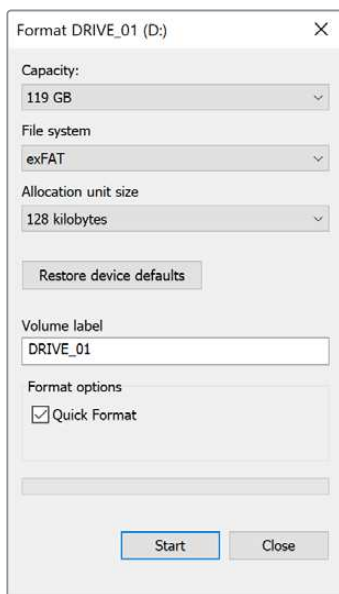


Verwenden Sie auf Mac das Festplattendienstprogramm, um das Speichermedium Ihrer Kamera im Format Mac OS Extended (Journaled) oder exFAT zu löschen

Datenträger auf Windows-Systemen vorbereiten

Über das Dialogfeld „Formatieren“ lässt sich das Speichermedium Ihrer Kamera auf einem Windows-PC in exFAT formatieren. Denken Sie daran, eine Sicherungskopie aller wichtigen Inhalte auf Ihren Datenträgern zu erstellen, da beim Formatieren alle vorhandenen Daten verloren gehen.

- 1 Verbinden Sie das Speichermedium Ihrer Kamera über ein externes Lesegerät, ein USB-C-Kabel oder einen Adapter mit Ihrem Computer.
- 2 Öffnen Sie das Startmenü oder den Startbildschirm und wählen Sie „Computer“ aus. Führen Sie einen Rechtsklick auf dem Speichermedium Ihrer Kamera aus.
- 3 Wählen Sie im Kontextmenü „Formatieren“ aus.
- 4 Stellen Sie das Dateisystem auf „exFAT“ und die Größe der Zuordnungseinheit auf 128 Kilobytes ein.
- 5 Geben Sie eine Volumenbezeichnung ein, wählen Sie „Schnellformatierung“ aus und klicken Sie auf „Start“.
- 6 Das Speichermedium Ihrer Kamera ist im Nu formatiert und einsatzbereit.



Verwenden Sie das Dialogfeld „Formatieren“ auf Windows, um das Speichermedium Ihrer Kamera in exFAT zu formatieren

HINWEIS Falls Bilder fallen gelassen werden, prüfen Sie, ob Ihre Karte oder Ihr Laufwerk auf unserer Liste empfohlener Medien steht und ob sie bzw. es für den verwendeten Codec und die Framegröße geeignet ist. Versuchen Sie, für kleinere Datenraten Ihre Framerate oder Auflösung zu reduzieren oder einen komprimierten Codec wie ProRes zu verwenden. Die aktuellsten Informationen finden Sie auf der Blackmagic Design Website unter www.blackmagicdesign.com/de

HINWEIS Mit Ihrer Blackmagic Pocket Cinema Camera können Sie partitionierte Medien verwenden, wobei Ihre Kamera für die Aufnahme und Wiedergabe nur die primäre Partition erkennt.

Hier sollte erwähnt sein, dass nicht nur die primäre, für die Aufnahme und Wiedergabe benutzte Partition, sondern das gesamte Laufwerk gelöscht wird, wenn Sie Ihr Medium über das Speicher- und Formatierungsmenü formatieren. Aus diesem Grund empfehlen wir Ihnen, Medien mit nur einer Partition zu verwenden.

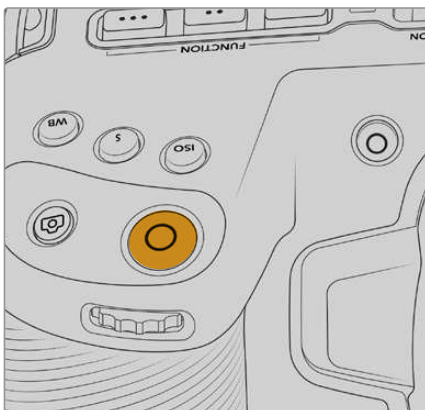
Aufzeichnen

Aufzeichnen von Clips

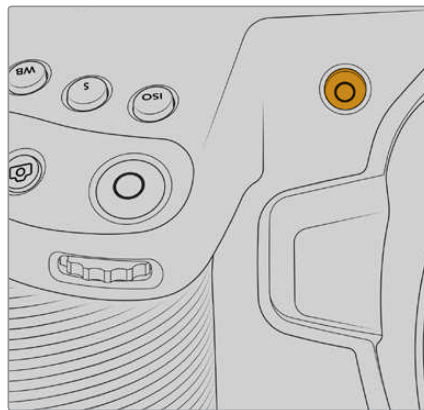
Die Blackmagic Pocket Cinema Camera verfügt über zwei Aufnahmetasten. Die Hauptaufnahmetaste befindet sich oben auf dem Handgriff, sodass man sie beim Halten mit der rechten Hand ganz einfach mit dem Zeigefinger drücken kann.

Die zweite Aufnahmetaste finden Sie an der Vorderseite der Kamera. Diese ermöglicht es Ihnen, die Aufnahme einhändig zu starten, wenn Sie sich selbst filmen möchten. Die Taste befindet sich in griffbereiter Position und ist somit ideal für Videoblogaufnahmen.

Um direkt mit der Aufnahme zu beginnen, drücken Sie eine der Aufnahmetasten an der Kamera. Drücken Sie die Aufnahmetaste erneut, um die Aufnahme zu beenden.



Die Aufnahmetasten an der Kameraoberseite



Die Aufnahmetaste an der Kameravorderseite

Bevor Sie mit der Aufnahme beginnen, tippen Sie am unteren Rand des Touchscreens auf den Namen des Mediums und halten diesen gedrückt, um die gewünschte Speicherkarte oder das zu verwendende USB-C-Laufwerk auszuwählen. Ein darüberliegender Balken zeigt in Blau an, welches Medium Sie für die Aufzeichnung ausgewählt haben. Um auf eine andere Karte oder ein anderes Laufwerk aufzuzeichnen, tippen Sie auf den Namen des Mediums und halten ihn gedrückt. Während der Aufzeichnung ist der Balken rot.

Auswahl des Aufnahmeformats

Die Blackmagic Pocket Cinema Camera zeichnet mit Apple ProRes Codecs einschließlich ProRes 422 HQ, ProRes 422, ProRes 422 LT und ProRes 422 Proxy auf. Mit ProRes-Codecs passt mehr Videomaterial auf Ihre SD-, CFast-Karte oder Ihr USB-C-Laufwerk. ProRes 422 HQ komprimiert am geringsten und liefert die höchste Qualität. Mit ProRes 422 Proxy wird erheblich stärker komprimiert. Es liefert damit wesentlich längere Aufzeichnungszeiten. Ihre Kamera kann auch im Blackmagic-RAW-Format aufzeichnen. Probieren Sie einfach ein paar Formate aus, um das passendste für Ihren Workflow zu finden.

Es ist wichtig zu wissen, dass die Blackmagic Pocket Cinema Camera für Blackmagic RAW das volle Sensorformat oder gecropte Sensorformate, für ProRes jedoch ausschließlich skalierte Formate verwendet.

Näheres zu den gecropten und skalierten Formaten finden Sie im Abschnitt „Maximale Bildraten des Sensors“.

Blackmagic RAW

Die Blackmagic Pocket Cinema Camera unterstützt das neue Blackmagic-RAW-Dateiformat. Das Format liefert eine überragende Bildqualität und einen breiten Dynamikumfang in zahlreichen Kompressionsverhältnissen. Mit Blackmagic RAW genießt man alle Anwendervorteile von RAW-Aufzeichnungen. Da die Verarbeitung größtenteils in der Kamera stattfindet und die Hardware von der Kamera selbst beschleunigt wird, sind die Dateien sehr schnell zu handhaben. So lassen sich Blackmagic-RAW-Dateien auf den meisten Rechnern bei normaler Geschwindigkeit abspielen, ohne dass man sie zunächst cachen oder ihre Auflösung reduzieren muss.

Blackmagic RAW bietet ebenfalls umfangreichen Metadaten-Support, sodass die Software, die die Dateien liest, Ihre Kameraeinstellungen gleich miterfasst. Wenn Sie vorzugsweise in „Video“-Gamma drehen, weil Sie im Nu schneiden müssen und keine Zeit für Farbkorrekturen haben, dann eröffnet Ihnen die Metadaten-Feature eine neue Option. Sie können wie gehabt „Video“-Gamma auswählen und in „Video“-Gamma filmen. Beim späteren Öffnen der Datei in einer Software wird sie dann mit angewendetem „Video“-Gamma dargestellt. Unter all den aufgenommenen Daten enthält diese Datei aber auch die „Film“-Gammadaten. Die Datei wird nur deshalb in „Video“-Gamma angezeigt, weil die darin enthaltenen Metadaten die Software instruieren, „Video“-Gamma anzuzeigen.

Möchten Sie Ihre Bilder später doch irgendwann farbkorrigieren, verfügen Sie dank der in der Datei bewahrten Daten über den gesamten „Film“-Dynamikumfang. Da die Videoüberpegel Ihrer Bilder in den Weiß- und Schwarztönen nicht per hartem Clipping abgeschnitten werden, reicht das vorhandene Detail, um all Ihren Bildern durch Colorgrading einen filmischen Look zu verleihen. Kein Problem, wenn Ihnen die Zeit fürs Grading fehlt, da die Bilder mit dem angewendeten „Video“-Gamma ohnehin wie reguläre Videokamerabilder aussehen. Ihre beim Dreh getroffene Entscheidung ist nicht endgültig, da Sie sie später in der Postproduktion revidieren können.

Blackmagic-RAW-Dateien sind extrem schnell und der Codec ist für den Einsatz von CPUs und GPUs auf Ihrem Computer optimiert. Das sorgt für eine schnelle, geschmeidige Wiedergabe und es erübrigen sich Hardware-Decoder, die sonst bei der Verwendung auf Laptops erforderlich sind. Software, die Blackmagic RAW lesen kann, bietet den zusätzlichen Vorteil der Verarbeitung mit Apple Metal, Nvidia CUDA oder OpenCL.

So lassen sich Blackmagic-RAW-Dateien auf den meisten Rechnern wie eine Videodatei bei normaler Geschwindigkeit abspielen, ohne dass man sie zunächst cachen oder ihre Auflösung reduzieren muss.

Wissenswert ist auch, dass in den Metadaten für jedes Einzelbild die objektivbezogenen Daten mit aufgezeichnet werden. Beispiel: Alle im Laufe eines Clips an kompatiblen Objektiven vorgenommenen Änderungen der Zoomstellung oder Fokussierung werden für jeden einzelnen Frame in den Metadaten der Blackmagic-RAW-Datei gespeichert.

In Blackmagic RAW aufzeichnen

Blackmagic RAW arbeitet mit zwei verschiedenen Kompressionsmethoden. Sie haben die Wahl zwischen den Codec-Modi „Constant Bitrate“ mit konstanter Bitrate oder „Constant Quality“ mit konstanter Qualität.

Der Codec-Modus mit konstanter Bitrate funktioniert ähnlich wie die meisten Codecs. Er strebt eine Datenrate auf konstantem Niveau an und verhindert allzu weite Ausschläge der Datenrate nach oben. Wenn es beim Drehen einer komplexen Einstellung gilt, mehr Bilddaten zu speichern, komprimiert der Codec-Modus mit konstanter Bitrate das Bild einfach stärker, damit die Daten in den definierten Speicherplatz passen.

Für Video-Codecs mag das ausreichen. Beim Drehen in Blackmagic RAW ist es jedoch wichtig, für eine kalkulierbare Qualität zu sorgen. Was passiert nun, wenn Ihre Aufnahmen mehr Daten generieren, der Codec sie aber bloß stärker komprimiert, damit eine vordefinierte Datenrate eingehalten wird? Womöglich beschert Ihnen das einen Qualitätsverlust. Sicher sein können Sie aber erst, wenn Sie das nach abgeschlossenem Dreh prüfen.

Blackmagic RAW löst dieses Problem mit einem alternativen Codec-Modus namens „Constant Quality“. Technisch ist dieser Codec bei konstanter Qualität ein Codec mit variabler Bitrate. Er erlaubt steigende Dateigrößen, wenn die Aufzeichnung Ihrer Bilder mehr Speicherplatz beansprucht. Soll ein Bild unter Beibehaltung der Qualität verschlüsselt werden, ist die Dateigröße in diesem Modus nach oben hin offen.

Hier ist es genau richtig, Blackmagic RAW auf „Constant Quality“ einzustellen, da die Datei so groß werden darf, wie es das Encoding Ihrer Bilder verlangt. Je nachdem, welche Motive Sie filmen, dürfen die Dateien entsprechend größer oder kleiner ausfallen. Sollten Sie jemals versehentlich mit aufgestecktem Objektivdeckel filmen, wird kein Speicherplatz vergeudet.

Die Qualitätseinstellungen für Blackmagic RAW sind übrigens nicht willkürlich benannt. Die Namen leiten sich von den technischen Abläufen ab. Bei Auswahl des Codecs „Constant Bitrate“ werden Ihnen die Qualitätseinstellungen 3:1, 5:1, 8:1 und 12:1 angezeigt. Die Zahlen drücken das Verhältnis zwischen der Größe der Dateien in unkomprimiertem RAW und der Größe der beim Filmen in Blackmagic RAW zu erwartenden Dateien aus. Das Kompressionsverhältnis 3:1 liefert bessere Qualität, da die Datei größer ist. Die stärkste Kompression von 12:1 liefert die kleinste Datei und die geringste Qualität. Zahlreiche Anwender von Blackmagic RAW finden 12:1 völlig in Ordnung und bemerken keine augenfälligen Qualitätseinschränkungen. Experimentieren Sie einfach selbst mit den unterschiedlichen Einstellungen.

Wenn Sie Blackmagic RAW bei konstanter Qualität verwenden, werden Ihnen die Einstellungen Q0 und Q5 angezeigt. Dabei handelt es sich um die Kompressionsparameter für den Codec, die das Maß der anzuwendenden Kompression aus technischer Sicht ausdrücken. Diese Einstellung dient zur Auswahl der verschiedenen Betriebsmodi des Codecs, der entweder bei konstanter Bitrate oder bei konstanter Qualität arbeitet. Mit der Einstellung „Constant Quality“ ist es unmöglich, das daraus resultierende Dateigrößenverhältnis vorherzusagen, da es je nach Natur der Aufnahme stark variiert. In diesem Fall wird die Datei einfach so groß, wie es zum Speichern Ihrer Mediendaten erforderlich ist.

„Constant Bitrate“-Einstellungen

Die Bezeichnungen 3:1, 5:1, 8:1 und 12:1 beschreiben das Kompressionsverhältnis. Bspw. entsteht bei einer 12:1-Kompression eine Datei, die um das 12-fache kleiner ist als der Umfang der unkomprimierten RAW-Daten.

„Constant Quality“-Einstellungen

Die Einstellungen Q0 und Q5 drücken verschiedene Quantisierungsstufen aus. Mit einer stärkeren Quantisierung erzielt Q5 eine erheblich bessere Datenrate. Mit der Einstellung für konstante Qualität kann es je nach Motiv wie gesagt zu erheblichen Variationen der resultierenden Dateigrößen kommen. Es kann also passieren, dass Sie mitten im Dreh bemerken, dass die Dateigröße über die Kapazität Ihres Speicherträgers hinauswächst. Das könnte zum Auslassen von Frames führen. Das Gute ist jedoch, dass Sie das beim Dreh sofort sehen und unter Erwägung der Qualität ggf. Ihre Einstellungen ändern können.

Blackmagic RAW Player

Der im Softwareinstallationsprogramm Ihrer Blackmagic Kamera enthaltene Blackmagic RAW Player ist eine optimierte Anwendung zum Sichten von Clips. Öffnen Sie eine Blackmagic-RAW-Datei einfach per Doppelklick, um sie sofort wiederzugeben und bei voller Auflösung und Bittiefe durch die Datei zu scrollen.

Beim Decodieren der Frames unterstützt die CPU-beschleunigte SDK-Bibliothek alle wichtigen Architekturen. Ebenfalls unterstützt wird GPU-Beschleunigung via Metal, Nvidia CUDA und OpenCL. Für extra Performance funktioniert der Blackmagic RAW Player auch mit der Blackmagic eGPU. Der Blackmagic RAW Player ist für Mac, Windows und Linux erhältlich.

Filialdateien

Blackmagic-RAW-Filialdateien (.sidecar) erlauben Ihnen, die Metadaten in einer solchen Sidecar-Datei zu überschreiben, ohne dabei die in die Originaldatei eingebetteten Metadaten zu ersetzen. Die Metadaten enthalten neben den Blackmagic-RAW-Einstellungen auch Informationen zu Blende, Fokussierung, Brennweite, Weißabgleich, Tönung, Farbraum sowie Projektnamen, Take-Nummern usw. Das Encoding von Metadaten wird während der Dauer des Clips von Einzelbild zu Einzelbild vorgenommen. Wichtig ist das bspw. für Objektivdaten, falls beim Filmen einer Einstellung das Objektiv nachjustiert wurde. Da es sich um ein visuell lesbares Format handelt, können Sie mit DaVinci Resolve oder sogar mit einem Text-Editor Metadaten in Filialdateien bearbeiten oder neue hinzufügen.

Anhand von Filialdateien kann man eine Wiedergabe automatisch mit neuen Blackmagic RAW-Einstellungen versehen, indem man einfach die Filialdatei in denselben Ordner wie die dazugehörige RAW-Datei verschiebt. Wenn Sie die Filialdatei wieder aus dem Ordner ziehen und die Blackmagic-RAW-Datei erneut öffnen, wird Ihnen die Datei wie ursprünglich gefilmt ohne die veränderten Einstellungen angezeigt. Jede Software, die das Blackmagic RAW SDK verwendet, kann auf diese Einstellungen zugreifen. Vorgenommene Änderungen werden in einer Filialdatei gespeichert, auf die der Blackmagic RAW Player und alle anderen Softwares mit der Kapazität, Blackmagic-RAW-Dateien zu lesen, zugreifen können.

Beim Drehen in „Video“-Gamma werden in der Datei trotzdem auch die „Film“-Gammadaten aufgezeichnet. Die Metadaten geben der Blackmagic RAW Verarbeitung jedoch den Befehl für die Anzeige in „Video“-Gamma. „Video“-Gamma ist großartig für Bilder, die Sie nicht graden, sondern unverzüglich ausgeben möchten. Trotzdem werden alle Einzelheiten festgehalten, sodass Sie später die Schwarztönebereiche eines Bildes hochziehen oder die weißen abschwächen können. Weil niemals Videoüberpegel abgeschnitten werden, bleibt das gesamte Detail für den späteren Zugriff erhalten.

Blackmagic RAW in DaVinci Resolve

Für künstlerische Effekte oder optimiertes Sichten können die Einstellungen jeder einzelnen Blackmagic-RAW-Datei angepasst und über den „Camera Raw“-Tab in DaVinci Resolve als neue Filialdatei (.sidecar) gespeichert werden. Somit können Sie Ihre Medien für andere DaVinci Resolve Artists kopieren, die dann nach dem Import automatisch Zugriff auf Ihre modifizierten Gamma-Einstellungen haben. Zusätzlich zu den anderen in Ihren Kameradateien enthaltenen Metadaten kann DaVinci Resolve Ihren ausgewählten Dynamikumfang lesen und zeigt die Clips automatisch in „Film“, „Extended Video“ oder „Video“ an.

Anschließend können Sie diese Einstellungen individualisieren, indem Sie die Werte für Sättigung, Kontrast und Mitteltöne sowie für Highlight- und Shadow-Roll-Off anpassen. Sämtliche Anpassungen werden dann in einer Filialdatei (.sidecar) gespeichert. Dort sind sie für jeden sichtbar, der in der Postproduktion an den Dateien arbeitet. Sie können aber jederzeit wieder auf die ursprünglichen Kamerametadaten zugreifen.

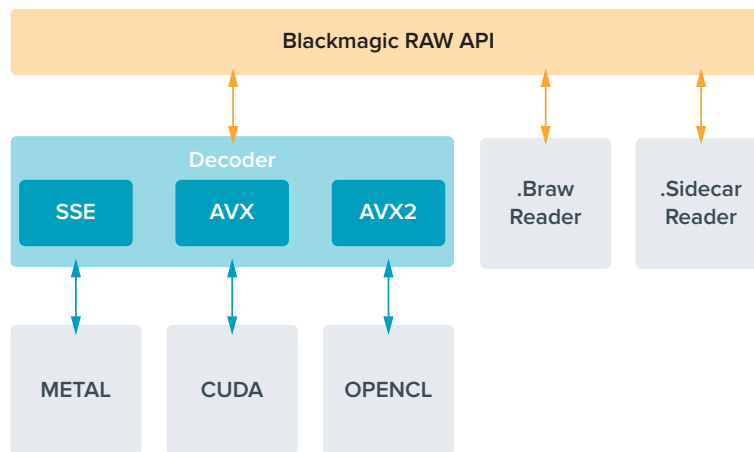
Einzelne Frames in Blackmagic RAW können zusammen mit allen Anpassungen, Metadaten, voller Auflösung und Farbinformationen über den „Camera Raw“-Tab aus DaVinci Resolve exportiert werden. So ist es ein Leichtes, ein Einzelbild oder eine Referenzdatei mit anderen zu teilen.

Wie Sie Blackmagic RAW in DaVinci Resolve im Einzelnen verwenden, erfahren Sie im Kapitel „Verwendung von DaVinci Resolve“ dieses Handbuchs.

Blackmagic RAW Software Development Kit

Das Blackmagic RAW Software Development Kit (SDK) ist eine von Blackmagic Design entwickelte Schnittstelle zur Anwendungsprogrammierung (API). Mit dem Blackmagic RAW SDK können Sie Ihre eigenen Anwendungen so programmieren, dass sie das Blackmagic-RAW-Format verwenden. Entwickler können Anwendungen mithilfe der SDK-Bibliothek um Support zum Lesen, Bearbeiten und Speichern von Blackmagic-RAW-Dateien erweitern. Im Blackmagic RAW SDK steckt die gesamte Generation 4 Color Science. Damit können Sie in allen Anwendungen, die sie unterstützen, natürliche filmische Bilder erzielen. Das Blackmagic RAW SDK unterstützt Mac, Windows und Linux. Es steht zum kostenlosen Download auf der Entwickler-Seite der Blackmagic Design Website unter www.blackmagicdesign.com/de/developer bereit.

Das nachstehende Diagramm veranschaulicht die Komponenten der Blackmagic RAW API:



Maximale Sensor-Frameraten

Maximale Sensor-Frameraten der Blackmagic Pocket Cinema Camera 6K

	RESOLUTION	Codec	Sensorfläche	Max. Framerate
6K	6144 x 3456	Blackmagic RAW	Voll	50
6K 2,4:1	6144 x 2560	Blackmagic RAW	Gecroppt	60
5,7K 17:9	5744 x 3024	Blackmagic RAW	Gecroppt	60
4K DCI	4096 x 2160	ProRes 422 HQ	Skaliert von 5,7K	60
	4096 x 2160	ProRes 422	Skaliert von 5,7K	60
	4096 x 2160	ProRes 422 LT	Skaliert von 5,7K	60
	4096 x 2160	ProRes 422 Proxy	Skaliert von 5,7K	60
Ultra HD	3840 x 2160	ProRes 422 HQ	Skaliert von voll	50
	3840 x 2160	ProRes 422	Skaliert von voll	50
	3840 x 2160	ProRes 422 LT	Skaliert von voll	50
	3840 x 2160	ProRes 422 Proxy	Skaliert von voll	50
	3840 x 2160	ProRes 422 HQ	Skaliert von 5,7K	60
	3840 x 2160	ProRes 422	Skaliert von 5,7K	60
	3840 x 2160	ProRes 422 LT	Skaliert von 5,7K	60
	3840 x 2160	ProRes 422 Proxy	Skaliert von 5,7K	60
3,7K Anamorph	3728 x 3104	Blackmagic RAW	Gecroppt	60
2,8K 17:9	2868 x 1512	Blackmagic RAW	Gecroppt	120

	RESOLUTION	Codec	Sensorfläche	Max. Framerate
HD	1920 x 1080	ProRes 422 HQ	Skaliert von voll	50
	1920 x 1080	ProRes 422	Skaliert von voll	50
	1920 x 1080	ProRes 422 LT	Skaliert von voll	50
	1920 x 1080	ProRes 422 Proxy	Skaliert von voll	50
	1920 x 1080	ProRes 422 HQ	Skaliert von 5,7K	60
	1920 x 1080	ProRes 422	Skaliert von 5,7K	60
	1920 x 1080	ProRes 422 LT	Skaliert von 5,7K	60
	1920 x 1080	ProRes 422 Proxy	Skaliert von 5,7K	60
	1920 x 1080	ProRes 422 HQ	Skaliert von 2,7K	120
	1920 x 1080	ProRes 422	Skaliert von 2,7K	120
	1920 x 1080	ProRes 422 LT	Skaliert von 2,7K	120
	1920 x 1080	ProRes 422 Proxy	Skaliert von 2,7K	120

Maximale Sensor-Frameraten der Blackmagic Pocket Cinema Camera 4K

	Auflösung	Codec	Sensorfläche	Max. Framerate
4K DCI	4096 x 2160	Blackmagic RAW	Voll	60
	4096 x 2160	ProRes 422 HQ	Voll	60
	4096 x 2160	ProRes 422	Voll	60
	4096 x 2160	ProRes 422 LT	Voll	60
	4096 x 2160	ProRes 422 Proxy	Voll	60
4K 2,4:1	4096 x 1712	Blackmagic RAW	Gecroppt	75
Ultra HD	3840 x 2160	Blackmagic RAW	Gecroppt	60
	3840 x 2160	ProRes 422 HQ	Gecroppt	60
	3840 x 2160	ProRes 422	Gecroppt	60
	3840 x 2160	ProRes 422 LT	Gecroppt	60
	3840 x 2160	ProRes 422 Proxy	Gecroppt	60
2,8K Anamorph	2880 x 2160	Blackmagic RAW	Gecroppt	80
2,6K 16:9	2688 x 1512	Blackmagic RAW	Gecroppt	120
HD	1920 x 1080	ProRes 422 HQ	Skaliert von voll	60
	1920 x 1080	ProRes 422	Skaliert von voll	60
	1920 x 1080	ProRes 422 LT	Skaliert von voll	60
	1920 x 1080	ProRes 422 Proxy	Skaliert von voll	60
	1920 x 1080	ProRes 422 HQ	Skaliert von 2,6K	120
	1920 x 1080	ProRes 422	Skaliert von 2,6K	120
	1920 x 1080	ProRes 422 LT	Skaliert von 2,6K	120
	1920 x 1080	ProRes 422 Proxy	Skaliert von 2,6K	120
	1920 x 1080	Blackmagic RAW	Gecroppt	120
	1920 x 1080	ProRes 422 HQ	Gecroppt	120
	1920 x 1080	ProRes 422	Gecroppt	120
	1920 x 1080	ProRes 422 LT	Gecroppt	120
	1920 x 1080	ProRes 422 Proxy	Gecroppt	120

HINWEIS Das Aufzeichnungsformat 2,6K 16:9 hat eine für den Einsatz mit Super-16mm-Objektiven und hohen Frameraten optimierte Sensorfläche.

Aufzeichnungsdauer

Die Tabellen geben die ungefähren Aufzeichnungsspannen in Minuten und Sekunden im Verhältnis zu Format, Projekt-Framerate und Speicherkapazität an. Es ist wichtig zu beachten, dass die verfügbaren Auflösungen und Codecs auf der Pocket Cinema Camera 6K und der Pocket Cinema Camera 4K unterschiedlich sind.

Die maximale Aufzeichnungsdauer für Ihr Speichermedium variiert je nach Kapazität Ihrer CFast- bzw. SD-Karte oder USB-C-Laufwerk sowie nach ausgewähltem Aufzeichnungsformat und Framerate. Zum Beispiel liegt die Speicherrate für Apple ProRes 422 HQ mit 3840 x 2160 bei etwa 880 Mbit/s. Bei 24 Bildern pro Sekunde können Sie ungefähr 47 Minuten Videomaterial auf eine 256 GB große CFast-2.0-Karte aufzeichnen. Mit den gleichen Einstellungen passen auf eine CFast-Karte mit 128 GB Kapazität rund 23 Minuten Video. Das entspricht ungefähr der Hälfte der Aufzeichnungsdauer einer 256 GB großen CFast-Karte.

Es ist zu beachten, dass sich die Aufzeichnungsspannen von Medien unterschiedlicher Hersteller ggf. leicht unterscheiden. Auch die Formatierung der CFast-Karte in exFAT oder Mac OS X Extended beeinflusst ggf. die Aufzeichnungsdauer von Speichermedien.

Einfache Szenen mit weniger Details erfordern weniger Speicherkapazität als kompliziertere Kompositionen. Den Werten in diesen Tabellen liegen hochkomplexe Shots zugrunde. Je nach Art Ihres Drehs kann es also sein, dass Sie etwas längere Aufzeichnungsdauern erzielen.

6K					
CFast-Karte	Framerate	Blackmagic RAW 3:1	Blackmagic RAW 5:1	Blackmagic RAW 8:1	Blackmagic RAW 12:1
256 GB		Dauer	Dauer	Dauer	Dauer
	23,98	17 Min.	28 Min.	45 Min.	67 Min.
	24	17 Min.	28 Min.	45 Min.	67 Min.
	25	16 Min.	27 Min.	43 Min.	64 Min.
	30	13 Min.	22 Min.	36 Min.	54 Min.
	50	8 Min.	13 Min.	21 Min.	32 Min.

6K 2,4:1					
CFast-Karte	Framerate	Blackmagic RAW 3:1	Blackmagic RAW 5:1	Blackmagic RAW 8:1	Blackmagic RAW 12:1
256 GB		Dauer	Dauer	Dauer	Dauer
	23,98	23 Min.	38 Min.	60 Min.	91 Min.
	24	22 Min.	38 Min.	60 Min.	91 Min.
	25	21 Min.	36 Min.	58 Min.	87 Min.
	30	18 Min.	30 Min.	48 Min.	72 Min.
	50	11 Min.	18 Min.	29 Min.	43 Min.
	60	9 Min.	15 Min.	24 Min.	36 Min.

5,7K 17:9					
CFast-Karte	Framerate	Blackmagic RAW 3:1	Blackmagic RAW 5:1	Blackmagic RAW 8:1	Blackmagic RAW 12:1
256 GB		Dauer	Dauer	Dauer	Dauer
	23,98	20 Min.	34 Min.	55 Min.	82 Min.
	24	20 Min.	34 Min.	55 Min.	82 Min.
	25	19 Min.	33 Min.	52 Min.	79 Min.
	30	16 Min.	27 Min.	44 Min.	66 Min.
	50	10 Min.	16 Min.	26 Min.	39 Min.
	60	8 Min.	13 Min.	22 Min.	33 Min.

4K DCI									
CFast-Karte	Framerate	Blackmagic RAW 3:1	Blackmagic RAW 5:1	Blackmagic RAW 8:1	Blackmagic RAW 12:1	ProRes 422 HQ	ProRes 422	ProRes 422 LT	ProRes 422 Proxy
256 GB		Dauer	Dauer	Dauer	Dauer	Dauer	Dauer	Dauer	Dauer
	23,98	39 Min.	65 Min.	104 Min.	155 Min.	44 Min.	66 Min.	95 Min.	216 Min.
	24	39 Min.	65 Min.	103 Min.	155 Min.	44 Min.	66 Min.	95 Min.	216 Min.
	25	37 Min.	62 Min.	99 Min.	149 Min.	42 Min.	64 Min.	91 Min.	207 Min.
	30	31 Min.	52 Min.	83 Min.	124 Min.	35 Min.	53 Min.	76 Min.	173 Min.
	50	18 Min.	31 Min.	49 Min.	74 Min.	21 Min.	32 Min.	45 Min.	104 Min.
	60	15 Min.	26 Min.	41 Min.	62 Min.	17 Min.	26 Min.	38 Min.	87 Min.

4K 2,4:1					
CFast-Karte	Framerate	Blackmagic RAW 3:1	Blackmagic RAW 5:1	Blackmagic RAW 8:1	Blackmagic RAW 12:1
256 GB		Dauer	Dauer	Dauer	Dauer
	23,98	50 Min.	84 Min.	134 Min.	201 Min.
	24	50 Min.	84 Min.	134 Min.	201 Min.
	25	48 Min.	81 Min.	129 Min.	193 Min.
	30	40 Min.	67 Min.	108 Min.	161 Min.
	50	24 Min.	40 Min.	65 Min.	97 Min.
	60	20 Min.	33 Min.	54 Min.	81 Min.
	80	17 Min.	28 Min.	45 Min.	68 Min.

ULTRA HD									
CFast-Karte	Framerate	Blackmagic RAW 3:1	Blackmagic RAW 5:1	Blackmagic RAW 8:1	Blackmagic RAW 12:1	ProRes 422 HQ	ProRes 422	ProRes 422 LT	ProRes 422 Proxy
256 GB		Dauer	Dauer	Dauer	Dauer	Dauer	Dauer	Dauer	Dauer
	23,98	41 Min.	68 Min.	110 Min.	164 Min.	47 Min.	71 Min.	101 Min.	230 Min.
	24	41 Min.	68 Min.	109 Min.	164 Min.	47 Min.	71 Min.	101 Min.	230 Min.
	25	39 Min.	66 Min.	105 Min.	157 Min.	45 Min.	68 Min.	97 Min.	221 Min.
	30	33 Min.	55 Min.	88 Min.	131 Min.	38 Min.	57 Min.	81 Min.	184 Min.
	50	19 Min.	33 Min.	52 Min.	79 Min.	22 Min.	34 Min.	48 Min.	111 Min.
	60	16 Min.	27 Min.	44 Min.	66 Min.	18 Min.	28 Min.	40 Min.	92 Min.

3,7K Anamorph					
CFast-Karte	Framerate	Blackmagic RAW 3:1	Blackmagic RAW 5:1	Blackmagic RAW 8:1	Blackmagic RAW 12:1
256 GB		Dauer	Dauer	Dauer	Dauer
	23,98	31 Min.	51 Min.	82 Min.	123 Min.
	24	31 Min.	51 Min.	82 Min.	123 Min.
	25	29 Min.	49 Min.	79 Min.	118 Min.
	30	24 Min.	41 Min.	65 Min.	98 Min.
	50	15 Min.	24 Min.	39 Min.	59 Min.
	60	12 Min.	20 Min.	33 Min.	49 Min.

2,8K Anamorph					
CFast-Karte	Framerate	Blackmagic RAW 3:1	Blackmagic RAW 5:1	Blackmagic RAW 8:1	Blackmagic RAW 12:1
256 GB		Dauer	Dauer	Dauer	Dauer
	23,98	57 Min.	95 Min.	151 Min.	226 Min.
	24	57 Min.	95 Min.	151 Min.	226 Min.
	25	54 Min.	91 Min.	145 Min.	217 Min.
	30	45 Min.	76 Min.	121 Min.	181 Min.
	50	27 Min.	45 Min.	73 Min.	109 Min.
	60	22 Min.	38 Min.	38 Min.	91 Min.
	80	17 Min.	28 Min.	45 Min.	68 Min.

2,8K 17:9					
CFast-Karte	Framerate	Blackmagic RAW 3:1	Blackmagic RAW 5:1	Blackmagic RAW 8:1	Blackmagic RAW 12:1
256 GB		Dauer	Dauer	Dauer	Dauer
	23,98	81 Min.	136 Min.	216 Min.	321 Min.
	24	81 Min.	135 Min.	215 Min.	320 Min.
	25	78 Min.	130 Min.	207 Min.	308 Min.
	30	65 Min.	108 Min.	173 Min.	258 Min.
	50	39 Min.	65 Min.	104 Min.	156 Min.
	60	32 Min.	54 Min.	87 Min.	130 Min.
	120	16 Min.	27 Min.	43 Min.	65 Min.

2,6K 16:9					
CFast-Karte	Framerate	Blackmagic RAW 3:1	Blackmagic RAW 5:1	Blackmagic RAW 8:1	Blackmagic RAW 12:1
256 GB		Dauer	Dauer	Dauer	Dauer
	23,98	87 Min.	144 Min.	230 Min.	342 Min.
	24	87 Min.	144 Min.	229 Min.	342 Min.
	25	83 Min.	138 Min.	220 Min.	328 Min.
	30	69 Min.	115 Min.	184 Min.	275 Min.
	50	41 Min.	69 Min.	111 Min.	166 Min.
	60	34 Min.	58 Min.	92 Min.	138 Min.
	120	17 Min.	29 Min.	46 Min.	69 Min.

HD									
CFast-Karte	Framerate	Blackmagic RAW 3:1	Blackmagic RAW 5:1	Blackmagic RAW 8:1	Blackmagic RAW 12:1	ProRes 422 HQ	ProRes 422	ProRes 422 LT	ProRes 422 Proxy
256 GB		Dauer	Dauer	Dauer	Dauer	Dauer	Dauer	Dauer	Dauer
	23,98	159 Min.	264 Min.	418 Min.	619 Min.	189 Min.	283 Min.	403 Min.	877 Min.
	24	159 Min.	264 Min.	418 Min.	618 Min.	189 Min.	283 Min.	403 Min.	877 Min.
	25	153 Min.	253 Min.	402 Min.	595 Min.	182 Min.	271 Min.	387 Min.	843 Min.
	30	127 Min.	212 Min.	336 Min.	499 Min.	152 Min.	227 Min.	324 Min.	710 Min.
	50	76 Min.	127 Min.	203 Min.	303 Min.	91 Min.	137 Min.	196 Min.	434 Min.
	60	64 Min.	106 Min.	170 Min.	254 Min.	76 Min.	114 Min.	163 Min.	363 Min.
	120	32 Min.	54 Min.	87 Min.	130 Min.	38 Min.	57 Min.	82 Min.	185 Min.

HINWEIS Blackmagic RAW unterstützt Aufzeichnungsformate mit voller und gecroppter Sensorfläche. Wählen Sie für alle skalierten Formate einen ProRes-Codec.

Die Formate 6K, 6K 2,4:1, 5,7K 17:9, 3,7K anamorph und 2,8K 17:9 sind nur auf der Blackmagic Pocket Cinema Camera 6K verfügbar und verwenden den Blackmagic-RAW-Codec. Die Pocket Cinema Camera 6K verwendet ProRes für Formate in 4K DCI, Ultra HD und HD.

Die Formate 4K 2,4:1, 2,8K anamorph und 2,6K 16:9 sind nur auf der Blackmagic Pocket Cinema Camera 4K verfügbar und verwenden den Blackmagic-RAW-Codec. Die Pocket Cinema Camera 4K verwendet Blackmagic RAW oder ProRes für Formate in 4K DCI, Ultra HD und HD.

Die „Constant Quality“-Einstellungen Q0 und Q5 zeigen variierende Spannen für die verbleibende Aufzeichnungszeit an. Die geschätzte Dauer für Q0 ist ähnlich wie für die 3:1-Komprimierung bei „Constant Bitrate“ und die für Q5 gleicht der für die 12:1-Komprimierung. Während der Aufzeichnung wird die geschätzte Aufzeichnungsdauer alle 10 Sekunden aktualisiert. Um Ihre verbleibende Aufzeichnungsdauer selbst abzuschätzen, nehmen Sie am besten 20 Sekunden lang auf und beobachten Sie die im Medienfeld des Touchscreen-Displays angezeigte Dauer.

Auswählen der Framerate

Ihre Kamera kann Videomaterial mit vielen verschiedenen Frameraten aufzeichnen. Möglicherweise fragen Sie sich, was für Sie die bestgeeignete ist.

Bei der Auswahl der Sensor-Framerate sind grundsätzlich ein paar Punkte zu berücksichtigen. Es gibt seit vielen Jahren technische Normen für die Ausstrahlung von Inhalten im Kino und im Fernsehen. Diese umfassen spezifische Frameraten, die sich von Land zu Land unterscheiden, jedoch dem gleichen Zweck dienen: der Anzeige einer effizienten Anzahl von Einzelbildern pro Sekunde, um Bewegungen angenehm und überzeugend darzustellen.

Kino verwendet bspw. standardmäßig 24 Frames pro Sekunde. Obwohl es unlängst Experimente mit schnelleren Frameraten gegeben hat, sind 24 Frames pro Sekunde für ein internationales Publikum weitestgehend der gängige Standard.

TV-Frameraten richten sich seit jeher im Allgemeinen nach den jeweiligen länderspezifischen technischen Sendestandards. TV-Inhalte hätte man bislang für die Distribution in Nordamerika zum Beispiel üblicherweise mit 29,97 fps aufgezeichnet, für Europa aber mit 25 fps.

Aufgrund des technischen Fortschritts hat man heute jedoch mehr Auswahl und die Sendestandards sind im Wandel begriffen. Inzwischen ist es üblich, sportliche Events bei höheren Frameraten aufzuzeichnen und auszustrahlen. Manche Sportveranstaltungen in Nordamerika werden bspw. mit bis zu 59,94 fps und in Europa mit 50 fps aufgezeichnet und ausgestrahlt. Schnelle Action erscheint dadurch geschmeidiger in der Bewegung und realitätsnäher.

Streaming- und Online-Broadcaster arbeiten normalerweise mit ähnlichen Frameraten wie beim Fernsehen. Sie haben allerdings mehr Experimentierfreiheit. Aufgrund nutzerspezifischer Ansichtsformate sind sie lediglich darauf beschränkt, was die Bildschirme des Publikums wiedergeben können.

Orientieren Sie sich bei der Auswahl der Framerate grundsätzlich am Ausgabeformat Ihres Projekts. Stellen Sie dafür zunächst die Projekt-Framerate Ihrer Kamera ein und danach Ihre Sensor-Framerate auf „Match“ (Angleichen). So werden Ihre Clips mit der gleichen Geschwindigkeit wiedergegeben, mit der sich das Ereignis in der Realität abgespielt hat.

Wenn Sie einen interessanten Effekt, wie bspw. Zeitlupe, anwenden möchten, können Sie Ihre Sensor-Framerate hochsetzen. Je höher die Sensor-Framerate im Vergleich zur Projekt-Framerate, umso langsamer ist die Wiedergabegeschwindigkeit.

Näheres zur Verwendung von Off-Speed-Sensor-Frameraten für kreative Effekte finden Sie im Abschnitt „Bedienung per Touchscreen“.

Trigger-Aufzeichnung

Ihre Blackmagic Pocket Cinema Camera gibt über den HDMI-Ausgang automatisch ein Trigger-Signal aus, das bei angeschlossenen Geräten die Aufzeichnung auslöst. Solche Geräte, wie bspw. ein Blackmagic Video Assist, müssen die Trigger-Aufzeichnungsfunktion unterstützen.

Sobald Sie die Aufnahmetaste Ihrer Kamera drücken, beginnt der externe Rekorder ebenfalls aufzuzeichnen. Erneutes Drücken der Kamera-Aufnahmetaste stoppt auch die Aufzeichnung auf dem Rekorder. Ihre Kamera gibt zusätzlich Timecode über den HDMI-Ausgang aus. Mit Ihrem externen Rekorder aufgezeichnete Clips weisen somit den gleichen Timecode wie die mit Ihrer Kamera aufgezeichneten Clips auf.

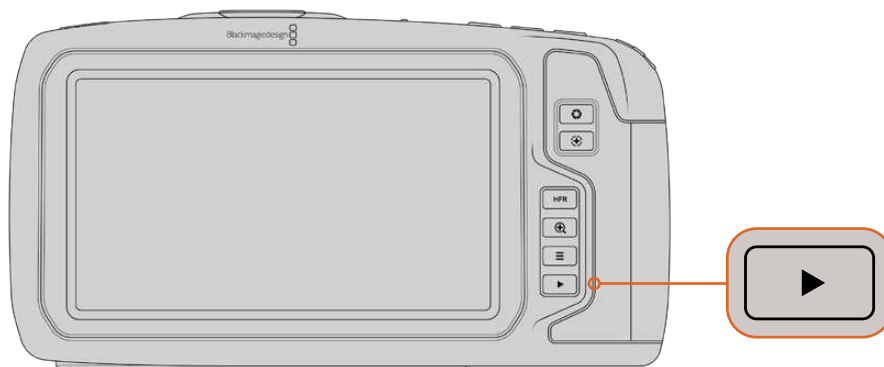
Wenn Ihr externer Rekorder die Trigger-Aufzeichnung unterstützt, müssen Sie diese Funktion aktivieren. Das erfolgt normalerweise über das Einstellungsmenü.

Wiedergabe

Wiedergabe von Clips

Nachdem Sie Ihr Video aufgezeichnet haben, können Sie es mithilfe der Transportsteuerelemente auf dem LCD-Display abspielen. Drücken Sie die Wiedergabetaste, um in den Wiedergabemodus zu wechseln. Erneutes Drücken löst die sofortige Wiedergabe des zuletzt aufgenommenen Clips auf dem LCD und allen über den HDMI-Ausgang verbundenen Monitoren aus. Halten Sie die Vor- oder Rücklauf-Buttons auf dem LCD zum schnellen Vor- oder Zurückspulen innerhalb des Clips gedrückt. Die Wiedergabe wird beendet, sobald das Ende des aktuellen Clips erreicht ist.

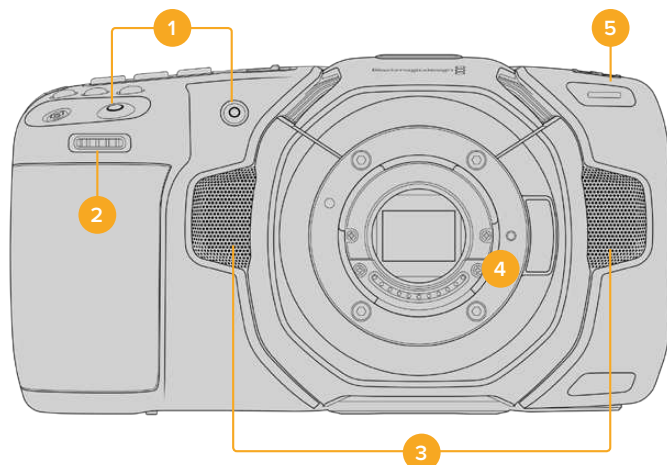
Drücken Sie den Vor- oder Rücklauf-Button, um zum Anfang oder Ende eines Clips zurückzuspringen. Um an den Anfang des aktuellen Clips zu gelangen, drücken Sie die Rücklaftaste einmal. Um zurück zum Anfang des vorherigen Clips zu springen, drücken Sie sie zweimal. Drücken Sie die Aufnahmetaste, um die Wiedergabe zu beenden und auf dem Touchscreen in die Kameraansicht zurückzukehren.



Um Ihren zuletzt aufgenommenen Clip auf dem integrierten Touchscreen zu sehen, drücken Sie unter den Transportsteuerelementen den Wiedergabe-Button

Funktionsmerkmale der Kamera

Kameravorderseite



1 **Aufnahmetasten**

Drücken Sie eine der beiden Aufnahmetasten, um die Aufnahme zu starten und stoppen. Wenn Sie sich selbst aufnehmen, können Sie die Aufnahme mit der Aufnahmetaste vorne an der Kamera bequemer starten und stoppen.

2 **Einstellrad**

Mit dem Einstellrad können Sie die Blendenöffnung kompatibler Objektive an Ihrer Kamera anpassen. Um die Blende zu öffnen, schieben Sie das Rad bei auf den Touchscreen gerichtetem Blick nach links. Um die Blende zu schließen, drehen Sie das Rad nach rechts. Das Einstellrad dient auch zum Anpassen von Weißabgleich, Verschlusswinkel und ISO-Wert. Drücken Sie oben an der Kamera die entsprechenden Tasten („WB“ für Weißabgleich, „S“ für Verschlusswinkel und „ISO“ für ISO-Empfindlichkeit). Drehen Sie zur Auswahl das Einstellrad. Drücken Sie auf das Einstellrad, um Ihre Auswahl zu bestätigen und abzukürzen.

3 **Stereomikrofone**

Es gibt vier hochwertige interne Stereomikrofone. Informationen zu Mikrofoneinstellungen finden Sie im Abschnitt AUDIO-Einstellungen.

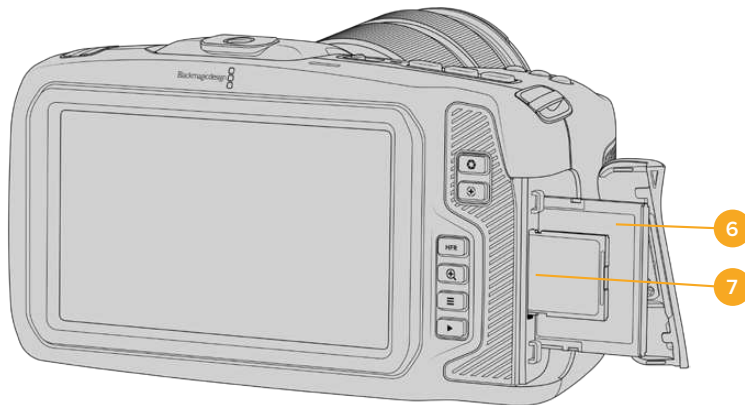
4 **Objektivanschluss**

Die Blackmagic Pocket Cinema Camera 6K ist mit einem elektronischen EF-Objektivanschluss und das 4K-Modell mit einem elektronischen Micro-Four-Thirds-Objektivanschluss ausgestattet. Sie können somit auf beiden Kameras Objektiv mit interner Bildstabilisierung sowie kompatible Objektiv mit Autofokus und Belichtungsautomatik benutzen. Um die von vielen elektronischen Objektiv gebotene Bildstabilisierung zu verwenden und die IS-Funktion zu aktivieren, setzen Sie den Stabilisatorschalter auf ON. Dies aktiviert auch die Bildstabilisierung auf Ihrer Kamera. Verfügt das Objektiv ebenfalls über einen Stabilisator-Modus-Schalter, stellen Sie diesen auf den entsprechenden Modus für Standbildaufnahmen oder Bewegung. Wenn Ihr Objektiv keinen physischen Stabilisator-Schalter hat, können Sie die Bildstabilisierung im SETUP-Menü Ihrer Kamera ausschalten.

5 **Tally / Aufnahmeindikator**

Vorne an Ihrer Kamera befindet sich eine kleine LED-Leuchte, die im Aufnahmemodus rot leuchtet. Über das SETUP-Menü können Sie den Tally-Licht-Indikator aktivieren oder deaktivieren und seine Helligkeit anpassen. Näheres finden Sie unter SETUP-Einstellungen in diesem Handbuch.

Rechte Kameraseite



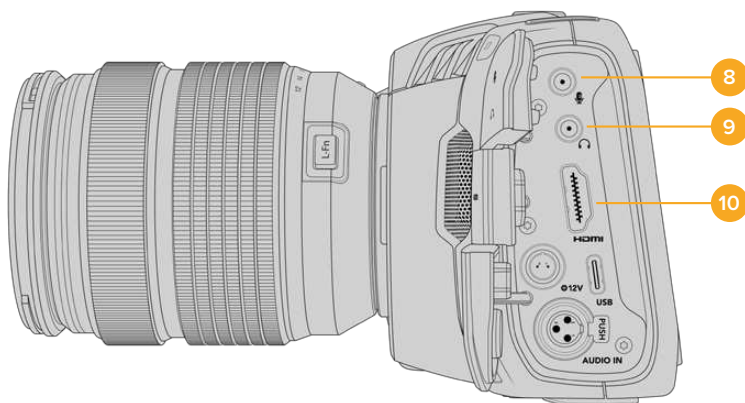
6 CFast-Kartenschacht

Setzen Sie zum Aufnehmen und zur Wiedergabe eine CFast-2.0-Karte in den Kartenschacht ein. Nähere Informationen finden Sie im Abschnitt „CFast-Karten“.

7 SD-Kartenschacht

Setzen Sie zum Aufnehmen und zur Wiedergabe eine SD-Karte in den Kartenschacht ein. Weitere Einzelheiten hierzu finden Sie im Abschnitt „SD-Karten“.

Linke Kameraseite



8 3,5mm-Mikrofoneingang

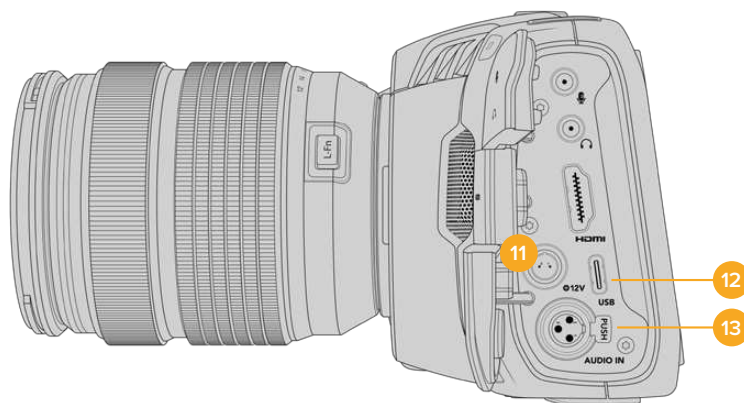
Schließen Sie über den 3,5mm-Stereoanschluss ein Mikrofon an Ihre Kamera an. Mikrofon- und Line-Pegel-Audio werden unterstützt. Mikrofonpegel-Audio ist leiser als Line-Pegel-Audio. Wenn Sie ein Mikrofon an Ihre Kamera anschließen und Line-Pegel auswählen, sind die Pegel vermutlich zu leise. Darüber hinaus akzeptiert der Mikrofoneingang auf dem linken Kanal von einer externen Quelle eingespeisten, SMPTE-kompatiblen LTC-Timecode. Gültiger Timecode wird automatisch erkannt und als Timecode-Metadaten in Ihre Videodatei eingebettet. Wir empfehlen, LTC-Timecode über die Line-Pegel-Ausgabe zu übermitteln – insbesondere wenn Sie ihn nicht als Audiospur aufzeichnen.

9 Kopfhörereingang

Überwachen Sie den Ton während der Aufnahme oder Wiedergabe von Clips, indem Sie einen Kopfhörer an den 3,5mm-Stereo-Kopfhörereingang anschließen. Wenn Kopfhörer angeschlossen sind, ist der Lautsprecher ausgang stumm geschaltet.

10 HDMI OUT

Der HDMI-Anschluss in voller Größe unterstützt 10-Bit-4:2:2-1080p-HD-Video mit Unterstützung für HDR und zwei Kanäle mit eingebettetem Audio. Benutzen Sie das Touchscreenmenü, um für die Ausgabe einen Clean-Feed oder Overlays vorzugeben.



11 Stromanschluss

Verwenden Sie den DC-Verbinder, um Ihre Kamera mit Strom und gleichzeitig den Akku langsam mit geringem Ladestrom zu versorgen. Um den Netzadapter anzuschließen, drehen Sie den Stecker so, dass er am Schlitz am oberen Ende des Anschlusses ausgerichtet ist, und stecken Sie ihn ein, bis er einrastet. Um den Stromstecker zu entfernen, ziehen Sie zuerst den Sperrmetallüberwurf zurück und dann den Stecker heraus.

Individuelle Lösungen für die Stromversorgung

Es gibt Benutzer, die sich in Eigenarbeit Geräte nach Maß für die Stromversorgung ihrer Blackmagic Pocket Cinema Camera anfertigen. Beim Basteln Ihrer eigenen Stromversorgung mit einem Akkudummy ist darauf zu achten, der Kamera keine zu hohen Spannungen zuzuführen. Dies kann dauerhafte Schäden verursachen. Ihre Pocket Cinema Camera erfordert folgende Spannungen:

- Der Akkuanschluss ist für 6,2 bis maximal 10 Volt ausgelegt
- Die DC-Strombuchse ist für 10,8 bis maximal 20 Volt ausgelegt
- Im Standby-Modus ohne Laden des Akkus benötigt die Kamera 16 Watt
- Beim Laden des Akkus vom Typ LP-E6 benötigt die Kamera 30 Watt
- Bei Versorgung Ihrer Kamera mit einer spezialangefertigten Stromquelle empfehlen wir, den LP-E6-Akku zu entfernen
- Bei der Aufzeichnung auf externe Medien unter Verwendung eines Objektivs, bei voller Bildschirmhelligkeit, Tally-Helligkeit und hohen Frameraten, aber ohne Laden des Akkus benötigt die Pocket Cinema Camera 6K 25 Watt und das 4K-Modell 22 Watt

12 USB

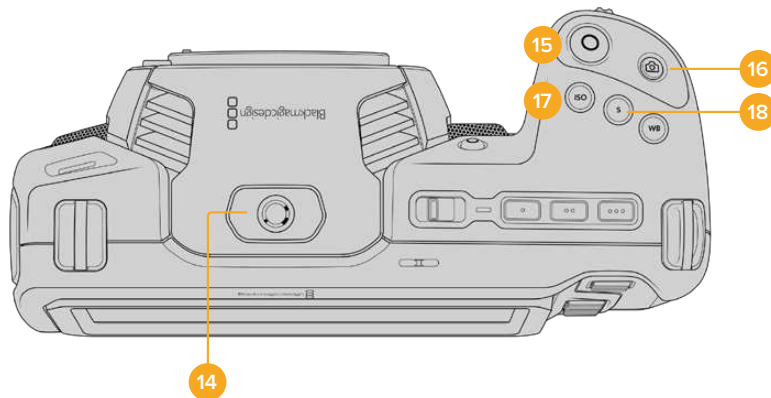
Über den USB-Port können Sie direkt auf ein angeschlossenes USB-C-Laufwerk aufzeichnen. Im ausgeschalteten Zustand können Sie den Akku Ihrer Kamera von einer externen Quelle wie einem Akkupack über den USB-C-Port aufladen. Um die Produktsoftware Ihrer Kamera zu aktualisieren, schließen Sie die Kamera über den USB-C-Port an einen Computer an und führen Sie die Aktualisierungsanwendung für die Kamera aus.

13 Mini-XLR-Mikrofonanschluss

Schließen Sie externe symmetrische Analogaudioquellen über den Mini-XLR-Eingang an. Unter Verwendung eines Mini-XLR-Adapterkabels kann ein Standard-XLR-Mikrofon an Ihre Kamera angeschlossen werden.

Professionelle Mikrofone ohne eigene Stromversorgung können über den Mini-XLR-Eingang phantomgespeist werden. Weitere Informationen zur Aktivierung der Phantomspeisung finden Sie unter AUDIO-Einstellungen in diesem Handbuch.

Kameraoberseite



14 1/4"-20-Befestigungsgewinde

Sie können das 1/4"-20-Befestigungsgewinde oben auf Ihrer Kamera verwenden, um ein externes Mikrofon oder kleineres Zubehör anzubringen.

HINWEIS Das 1/4-Zoll-Gewinde an der Oberseite der Pocket Cinema Camera sollte ausschließlich für leichtgewichtiges Zubehör wie Mikrofone benutzt werden. Belasten Sie die Kamera nicht übermäßig durch Befestigen von Zubehör am 1/4-Zoll-Gewinde, wie bspw. einem verschraubbaren Kameragriff mit einem schweren Objektiv. Dies kann das 1/4-Zoll-Gewinde beschädigen und fällt nicht unter die Garantie. Setzen Sie die Gewinde keiner übermäßigen Hebelkraft aus, wie bspw. durch Befestigen von schwerem Zubehör an einem Verlängerungsarm. Für die Anbringung schwereren Zubehörs empfehlen wir den Einsatz eines speziell für die Pocket Cinema Camera konzipierten Kamerakäfigs, der gleichzeitig an den oberen und unteren 1/4-Zoll-Gewinden befestigt wird.

15 Aufzeichnen

Drücken Sie die Aufnahmetaste (erkenntlich am roten Kreis), um direkt mit der Aufnahme zu beginnen. Drücken Sie sie erneut, um die Aufnahme zu stoppen.

16 Standbild

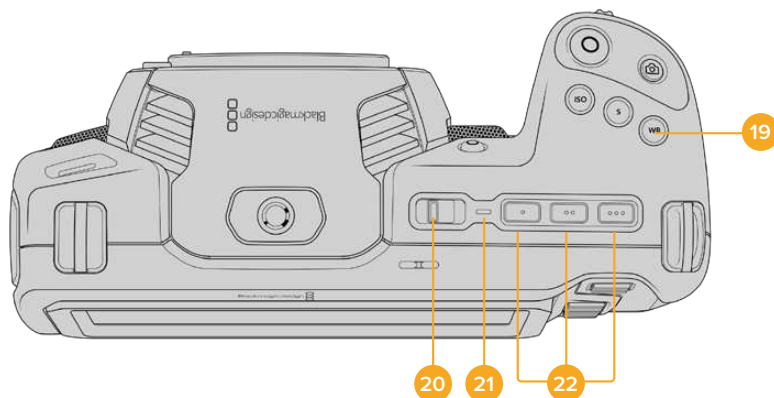
Drücken Sie die Standbildtaste (erkenntlich am Kamerasymbol), um ein Standbild als einzelnen unkomprimierten Frame in DNG zu erfassen. Das kurz in der oberen rechten Ecke des Touchscreens erscheinende Kamerasymbol teilt Ihnen mit, dass Sie erfolgreich ein Standbild aufgenommen haben. Gespeichert werden Bilddateien im Stills-Ordner im Stammverzeichnis des Mediums, auf das aktuell aufgezeichnet wird. Die Benennung erfolgt gemäß der für Videoclips üblichen Namenskonvention, wobei die letzten vier Zeichen des Dateinamens (z. B. „S001“) die Anzahl der Standbilder angeben.

17 ISO

Um die ISO-Einstellungen Ihrer Kamera anzupassen, drücken Sie die ISO-Taste und drehen Sie dann am Einstellrad. Die ISO-Empfindlichkeit kann in Drittel-Blendenstufen auf 100 bis 25.600 eingestellt werden.

18 Shutter

Um den Verschlusswinkel oder die Verschlussgeschwindigkeit zu ändern, drücken Sie die S-Taste für Shutter und drehen dann am Einstellrad. Die Touchscreen-Anzeige wird Ihnen zudem bis zu drei flimmerfreie Verschlussoptionen vorschlagen.



19 Weißabgleich

Um den Weißabgleich Ihrer Kamera anzupassen, drücken Sie die Taste WB für White Balance und drehen dann am Einstellrad. Alternativ können Sie rasch in den automatischen Weißabgleich-Modus gelangen, indem Sie die Taste WB 3 Sekunden lang gedrückt halten. Ihre Kamera wird in der Mitte des Bildes ein weißes Rechteck einblenden und in diesem Bereich einen automatischen Weißabgleich durchführen. Weitere Informationen hierzu finden Sie im Abschnitt „Bedienung per Touchscreen“.

20 ON/OFF-Schalter

Mit dem ON/OFF-Schalter schalten Sie die Kamera ein. Schieben Sie den Schalter nach rechts auf ON, um Ihre Kamera einzuschalten, und nach links auf OFF, um sie auszuschalten.

21 Status-LED

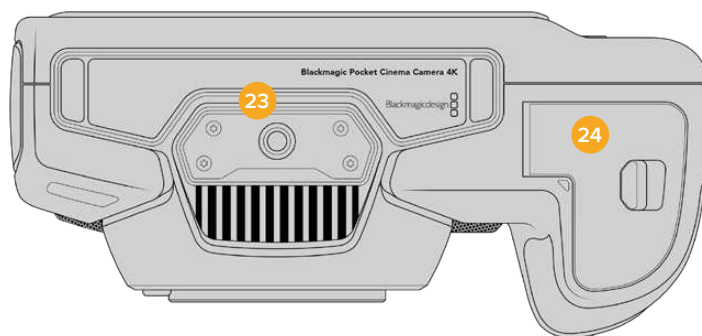
Wenn die Kamera ausgeschaltet und über den 12V-DC-Stromanschluss oder den USB-C-Port mit einer externen Stromquelle verbunden ist, zeigt der rot leuchtende Indikator an, dass der Akku geladen wird.

Die Status-LED erlischt, wenn der Akku vollständig geladen ist.

22 Funktionstasten

Diese Tasten können über das SETUP-Menü Ihrer Kamera mit verschiedenen häufig verwendeten Funktionen belegt werden. Standardmäßig ist die linke der drei an den Punkten erkennlichen Tasten auf „False Color“ (Falschfarben), die mittlere auf „Display LUT“ (Display-LUT) und die rechte auf „Frame Guides“ (Bildrandmarkierungen) voreingestellt.

Kameraunterseite



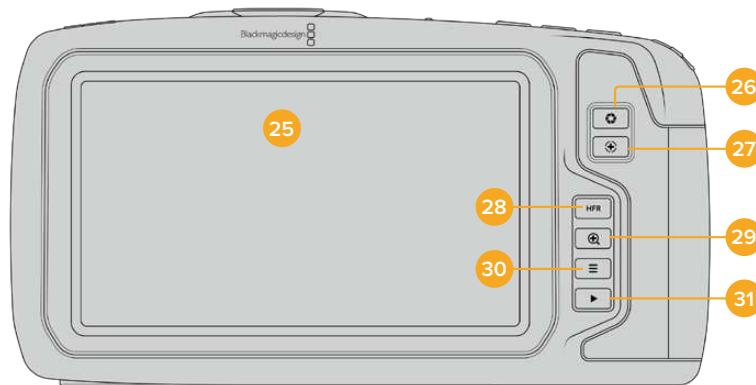
23 1/4"-20-Befestigungsgewinde

Bringen Sie am unteren 1/4"-20-Gewindepunkt Ihrer Kamera ein Stativ an.

24 Akkufach

Um das Akkufach zu öffnen, schieben Sie die Sperrvorrichtung auf der Klappe in Richtung des Objektivanschlusses. Um es zu schließen, drücken Sie die Klappe einfach herunter, bis sie einrastet.

Kamerarückseite



25 Touchscreen-Anzeige

Überwachen Sie Ihre Clips während der Aufnahme und Wiedergabe über die Touchscreen-Anzeige. Um Einstellungen anzupassen und Ihre Kamera zu steuern, führen Sie entsprechende Tipp- und Wischgesten aus.

26 Blendentaste

Durch Drücken der Blendentaste (erkenntlich am Blendensymbol) wird automatisch eine Durchschnittsbelichtung basierend auf den Highlights und Schatten in Ihrem Shot eingestellt. Sie können die Blendenöffnung Ihres Objektivs manuell anpassen, indem Sie das Einstellrad nach rechts und links drehen oder auf der Touchscreen-Anzeige auf **BLLENDE** tippen und den Schieberegler betätigen.

27 Fokustaste

Um Autofokus zu aktivieren, drücken Sie bei Verwendung eines kompatiblen Autofokus-Objektivs mit Ihrer Kamera einmal auf die Fokustaste (erkenntlich am Fadenkreuzsymbol). Im Standardmodus fokussiert das Objektiv automatisch auf die Bildmitte. Sie können jedoch einen alternativen Fokuspunkt auswählen, indem Sie den zu fokussierenden Bereich auf dem LCD-Bildschirm antippen. Um den Fokuspunkt auf die Mitte des Bildschirms zurückzusetzen, drücken Sie die Fokustaste zweimal.

HINWEIS Die meisten Objektive unterstützen elektronische Fokussierung. Manche bieten verschiedene Modi für manuelle oder automatische Fokussierung. In letzterem Fall müssen Sie bestätigen, dass Ihr Objektiv auf Autofokusmodus eingestellt ist.

28 HFR-Taste

Zum Hin- und Herschalten zwischen Bildwechselfrequenzen drücken Sie die HFR- oder „High-Frame-Rate“-Taste. Um diese Funktion zu verwenden, geben Sie im „Frameraten“-Menü einfach die gewünschte Off-Speed-Framerate ein. Nach Auswahl der Off-Speed-Framerate können Sie durch Drücken der HFR-Taste zwischen Ihrer vorgegebenen Off-Speed-Framerate und der Projekt-Framerate hin- und herwechseln. Hier sei erwähnt, dass sich diese Einstellung nur bei anhaltender Aufzeichnung anpassen lässt.

Weitere Informationen zu den Projekt- und Off-Speed-Frameraten finden Sie im Abschnitt „Bedienung per Touchscreen“.

29 Fokuszoom-Taste

Um den Fokus bei einem Pixelmaßstab von 1:1 anzupassen, drücken Sie die Fokuszoom-Taste (erkenntlich am Lupensymbol mit einem Pluszeichen). Im herangezoomten Modus können Sie mithilfe der Multitouch-Steuerung auf dem Touchscreen eine Pinch-to-Zoom-Geste ausführen, um den Zoom-Grad anzupassen. Weitere Informationen hierzu finden Sie im Abschnitt „Pinch-to-Zoom“. Im herangezoomten Modus können Sie durch Berühren und Verschieben des Bereichs auf dem Bildschirm verschiedene Bildausschnitte betrachten. Drücken Sie zum Herauszoomen erneut die Fokuszoom-Taste.

30 Menütaste

Drücken Sie die Menütaste (erkenntlich an den drei Linien), um das Dashboard aufzurufen.

31 Wiedergabetaste

Drücken Sie die Wiedergabetaste, um in den Wiedergabemodus zu wechseln. Erneutes Drücken startet die sofortige Wiedergabe des zuletzt aufgenommenen Clips auf dem LCD und allen über den HDMI-Ausgang verbundenen Monitoren.

Bedienung per Touchscreen

Funktionsmerkmale des Touchscreens

Für eine schnelle und intuitive Handhabung lässt sich der LCD-Touchscreen Ihrer Blackmagic Pocket Cinema Camera per Tipp- und Wischgesten bedienen. Wenn Sie in verschiedenen Bereichen des LCD-Touchscreens Tipp- oder Wischgesten ausführen, können Sie beim Filmen schnell auf die Kamerafunktionen zugreifen.



Die LCD-Touchscreen-Anzeige gewährt Ihnen schnellen Zugriff auf die am häufigsten verwendeten Einstellungen

LCD-Monitoroptionen

Tippen Sie auf das Monitor-Icon oben links auf dem LCD-Touchscreen, um zu den LCD-Monitoreinstellungen zu gelangen. Mithilfe dieser Einstellungen lässt sich die Darstellung der Monitoring-Funktionen Ihrer Pocket Cinema Camera umschalten und anpassen. Dazu zählen Zebra, Focus Assist, Bildrandmarkierungen, Raster, Schutzbereichlinien und Falschfarben. Wenn Sie auf die LCD-Monitoroptionen zugreifen, erscheinen die Bedienelemente für die jeweiligen Features in Form von Schaltflächen entlang des unteren Randes des LCD-Touchscreens.



Tippen Sie auf das Icon oben links auf dem LCD-Touchscreen Ihrer Kamera, um auf die LCD-Monitoroptionen zuzugreifen

Zebra

Mit der Zebra-Einstellung ändern Sie die Darstellung der Zebra-Funktion auf dem LCD-Touchscreen und stellen gleichzeitig den Zebra-Pegel für den HDMI-Ausgang ein.

Im Zebra-Modus werden auf Bildbereichen, die den voreingestellten Belichtungspegel übersteigen, diagonale Streifen eingeblendet. Wenn Sie Zebra bspw. auf 100 % einstellen, wird Ihnen angezeigt, welche Bereiche komplett überbelichtet sind. Diese Funktion ist hilfreich, um bei gleichbleibenden Lichtbedingungen einen optimalen Belichtungspegel beizubehalten.



Tippen Sie in den LCD-Monitoroptionen auf das Zebra-Icon, um auf die Zebra-Einstellungen zuzugreifen

Die Zebra-Einstellung für den LCD-Touchscreen aktivieren Sie, indem Sie unter der Zebra-Schaltfläche auf das Schalter-Icon unten links auf dem Display tippen.

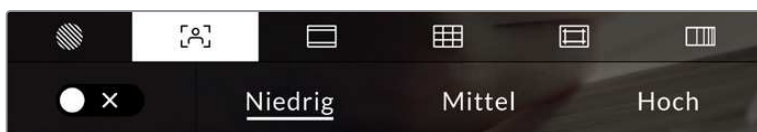
Ziehen Sie den Schieberegler nach rechts oder links oder tippen Sie auf die Pfeilsymbole, um die gewünschte Prozentzahl für den Zebra-Modus einzustellen. Die Intensität für Zebra kann in 5%-Schritten auf 75 bis 100 % eingestellt werden.

Weitere Informationen zum Aktivieren des Zebra-Modus für den HDMI-Ausgang Ihrer Kamera finden Sie im Abschnitt MONITOR-Einstellungen in diesem Handbuch.

TIPP Beim Filmen in variablen Lichtverhältnissen – bspw. im Freien an einem teils bewölkten Tag – wird Sie ein auf unter 100 eingestellter Zebra-Wert vor möglicher Überbelichtung warnen.

Focus Assist

Mit der Focus-Assist-Einstellung (erkenntlich an der gerahmten Person) passen Sie die Darstellung der Fokussierhilfe auf dem LCD-Touchscreen an. Gleichzeitig können Sie das Level der Fokussierhilfe für die HDMI-Ausgabe Ihrer Blackmagic Pocket Cinema Camera einstellen.



Tippen Sie in den LCD-Monitoroptionen auf die Focus-Assist-Schaltfläche, um auf die jeweiligen Einstellungen zuzugreifen

Um die Fokussierhilfe für den LCD-Touchscreen anzupassen, tippen Sie unter der Focus-Assist-Schaltfläche auf das Schalter-Icon links unten auf dem Display.

Das Level der Fokussierhilfe für die HDMI-Ausgabe Ihrer Kamera können Sie durch Antippen von „Niedrig“, „Mittel“ oder „Hoch“ am unteren Rand des Touchscreens festlegen.

Der optimale Grad der Fokussierhilfe richtet sich nach dem jeweiligen Shot. Wird bspw. auf Darsteller scharf gestellt, empfiehlt sich eine stärkere Fokussierhilfe, um mehr Einzelheiten an den Konturen der Gesichter festzuhalten. Bei einer Einstellung von Blatt- oder Mauerwerk würden die dabei zusätzlich erfassten Details womöglich ablenkend wirken.

Weitere Informationen zum Aktivieren des Fokussierhilfe-Modus für die HDMI-Ausgabe finden Sie im Abschnitt MONITOR-Einstellungen in diesem Handbuch.

TIPP Ihre Blackmagic Pocket Cinema Camera hat zwei Focus-Assist-Modi. Im MONITOR-Einstellungsmenü können Sie zwischen den Modi „Peaking“ und „Farbige Linien“ hin und her wechseln. Näheres finden Sie im Abschnitt MONITOR-Einstellungen in diesem Handbuch.

Bildrandmarkierungen

Die Einstellung für Bildrandmarkierungen (erkennlich am Rahmen mit zwei horizontalen Linien) passt das Erscheinungsbild von Bildrandmarkierungen auf Ihrem LCD-Touchscreen an. Außerdem haben Sie Bildrandmarkierungsoptionen für die HDMI-Ausgabe Ihrer Kamera zur Auswahl.

Unter den Optionen für Bildrandmarkierungen finden Sie u. a. Seitenverhältnisse für verschiedene Kino-, TV- oder Online-Standards.



Tippen Sie in den LCD-Monitoroptionen auf das Bildrandmarkierungs-Icon, um auf diese Einstellungen zuzugreifen

Um das Erscheinungsbild der Bildrandmarkierungen auf dem LCD-Touchscreen anzupassen, tippen Sie auf das Schalter-Icon links unten auf dem Display.

Wählen Sie die gewünschte Bildrandmarkierung aus, indem Sie den Schieberegler nach links oder rechts ziehen oder die Pfeilsymbole beiderseits des aktuell ausgewählten Bildseitenverhältnisses antippen. Außerdem können Sie Ihre eigene Bildrandmarkierung eingeben, indem Sie auf das aktuell ausgewählte Bildseitenverhältnis zwischen den beiden Pfeilsymbolen tippen.

Folgende Bildrandmarkierungen sind verfügbar:

2,35:1, 2,39:1 und 2,40:1

Zeigt das mit anamorphotischer oder kontrastarmer filmischer Breitbild-Kinodarstellung kompatible Breitbild-Seitenverhältnis an. Die drei leicht voneinander abweichenden Breitbild-Einstellungen sind auf im Laufe der Zeit wechselnde Film-Standards zurückzuführen. 2,39:1 ist einer der derzeit meistverwendeten Standards.



LCD-Touchscreen mit aktivierten 2,40:1-Bildrandmarkierungen

2:1

Zeigt ein etwas breiteres Verhältnis als 16:9 an, aber schmäler als 2,35:1.

1,85:1

Zeigt ein weiteres gängiges kontrastarmes Seitenverhältnis für Breitbildschirme an. Dieses Verhältnis ist etwas breiter als HDTV 1,78:1, aber schmäler als 2,39:1.

16:9

Zeigt ein 1,78:1 Bildseitenverhältnis an, das mit 16:9 HD TV- und Computerbildschirmen kompatibel ist. Dieses Bildseitenverhältnis wird vor allem für HD-Broadcasts und Online-Videos verwendet. Das gleiche Bildseitenverhältnis wurde auch für das Broadcasting in Ultra HD übernommen.

14:9

Zeigt ein 14:9 Bildseitenverhältnis an, das von einigen Sendeanstalten verwendet wird, um einen Kompromiss zwischen 16:9- und 4:3-Fernsehgeräten zu finden. Idealerweise bleibt sowohl 16:9- als auch 4:3-Footage gut sichtbar, wenn sie auf das 14:9-Format beschnitten wird. Sie können dieses Verhältnis als kompositorische Markierung verwenden, wenn Sie wissen, dass Ihr Projekt von einem Fernsehsender ausgestrahlt wird, der von 14:9 Gebrauch macht.

4:3

Zeigt das mit SD-Fernsehbildschirmen kompatible 4:3-Seitenverhältnis an. Das Format hilft zudem bei der Bildeinstellung, wenn zwei anamorphotische Adapter verwendet werden.

1:1

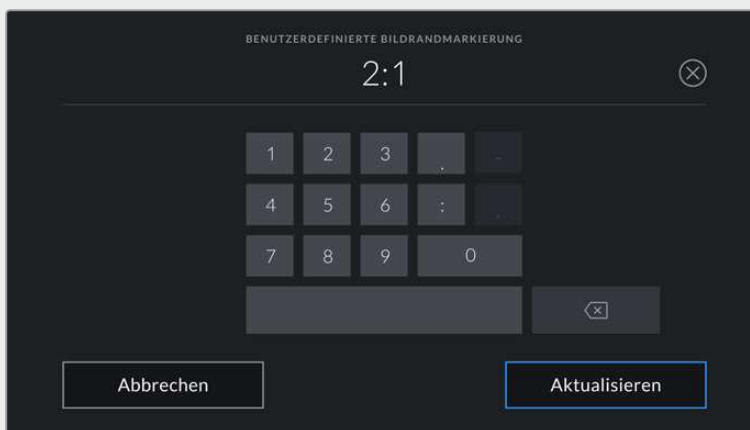
Zeigt ein 1:1-Seitenverhältnis an, das etwas schmaler ist als 4:3. Dieses quadratische Seitenverhältnis erfreut sich zunehmender Beliebtheit in den sozialen Medien.

4:5

Zeigt ein 4:5-Seitenverhältnis an. Dieses vertikale Bildseitenverhältnis eignet sich für Portraitaufnahmen und die Ansicht auf Smartphones.

Benutzerdefinierte Bildrandmarkierung

Um für eine einzigartige Darstellung Ihre eigene Bildrandmarkierung zu erstellen, tippen Sie auf den eingeblendeten Wert zwischen den beiden Pfeilsymbolen. Tippen Sie auf dem Bildschirm „Benutzerdef. Bildrandmarkierung“ auf die Rücktaste, um das aktuelle Seitenverhältnis zu löschen und geben Sie über den Ziffernblock ein neues Seitenverhältnis ein. Tippen Sie auf „Aktualisieren“, um Ihre eingegebene Bildrandmarkierung zu übernehmen und zum Aufzeichnungsmodus zurückzukehren.



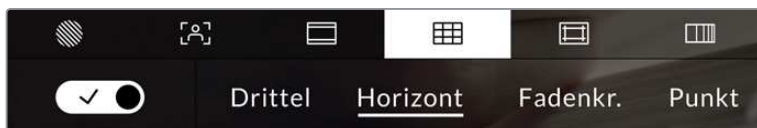
Eine neue Bildrandmarkierung wird auf dem Bildschirm „Benutzerdef. Bildrandmarkierung“ über den Ziffernblock eingegeben

TIPP Sie können die Deckkraft der eingeblendeten Bildrandmarkierungen ändern. Näheres finden Sie im Abschnitt MONITOR-Einstellungen in diesem Handbuch.

HINWEIS Weitere Informationen zum Aktivieren der Bildrandmarkierungen für die HDMI-Ausgabe Ihrer Kamera finden Sie im Abschnitt MONITOR-Einstellungen in diesem Handbuch.

Raster

Über die Raster-Einstellung wählen Sie eines der Kompositions raster zur Anzeige auf Ihrem LCD-Touchscreen aus: „Drittel“, „Horizont“, „Fadenkreuz“ oder „Punkt“. Zudem legen Sie hierüber fest, welches Overlay auf der HDMI-Ausgabe zu sehen sein wird.



Tippen Sie in den LCD-Monitoroptionen auf das Raster-Icon, um auf die Rastereinstellungen zuzugreifen

Raster- und Fadenkreuz-Overlays können bei der Bildkomposition behilflich sein. Bei aktivierter Raster-Option wird ein Overlay entsprechend der Drittel-Regel oder aber ein Horizont-Raster, Fadenkreuz oder Punkt angezeigt.

Um zwischen den Rasterdarstellungen auf dem Touchscreen Ihrer Kamera umzuschalten, tippen Sie unter der Raster-Schaltfläche auf das Schalter-Icon links unten auf dem Display.

Um das gewünschte Overlay für die Anzeige der HDMI-Ausgabe einzustellen, tippen Sie auf „Drittel“, „Horizont“, „Fadenkreuz“ oder „Punkt“. Sie können „Horizont“, „Fadenkreuz“ oder „Punkt“ jeweils gemeinsam mit dem „Drittel“-Raster auswählen. Dies ermöglicht folgende Rasterkombinationen: „Drittel“ und „Horizont“, „Drittel“ und „Fadenkreuz“ oder „Drittel“ und „Punkt“.



Das Drittel-Raster passt sich automatisch an den Maßstab jeder Bildrandmarkierung an

Drittel

Die Einstellung „Drittel“ zeigt ein Raster mit zwei vertikalen und zwei horizontalen Linien an, die das Bild in Drittel aufteilen. Mit dem Drittel-Prinzip lassen sich Einstellungen sehr effektiv komponieren. Zum Beispiel erwartet das menschliche Auge in der Regel, dass sich die Action im Schnittpunktbereich dieser Linien abspielt. Deshalb platziert man dort gerne Dinge, auf die aufmerksam gemacht werden soll. Die Augenpartie eines Schauspielers wird oftmals im oberen Drittel des Bildschirms positioniert. Bei der Platzierung hilft Ihnen hier die Markierung des horizontalen oberen Drittel des Bilds. Überdies dienen Drittel zum Erhalt einer einheitlichen Kadrierung von einer Einstellung zur nächsten.

Horizont





Das Horizont-Meter zeigt an, wenn Ihre Kamera nach links oder rechts bzw. nach vorne oder hinten geneigt bzw. gekippt ist. Es unterstützt Sie bei Freihandaufnahmen eine waagrecht verlaufende Horizontlinie zu bewahren und vertikale Kameraneigungen auf einem Gimbal zu kompensieren.

In welche Richtung Ihre Kamera geneigt ist, erkennen Sie an der Richtung, in die sich die vertikale hellgraue Linie vom mittig platzierten dunkelgrauen Fadenkreuz entfernt. Bei einem Auf- oder Abschwenk der Kamera rückt die horizontale hellgraue Linie entsprechend nach unten oder oben.

Die Entfernung zwischen den Linien und dem mittigen Fadenkreuz verhält sich proportional zum Grad der horizontalen oder vertikalen Neigung. Wenn Sie den Bewegungssensor der Kamera kalibriert haben und die Kamera korrekt auf die vertikale oder horizontale Rotationsachse ausgerichtet ist, dann erscheint die vertikale oder horizontale Linie blau.

Beachten Sie, dass das Horizont-Meter die Neigung der Kamera für Auf- und Untersichten miteinberechnet. Wenn Sie die Kamera entsprechend für eine Portraitaufnahme rotieren, rotiert auch das Horizont-Meter seine Achse um 90 Grad.

Die folgende Tabelle zeigt anhand des Horizont-Meters, ob die Kamera nach links/rechts bzw. unten/oben geneigt ist.

Horizont-Meter	Beschreibung
	Keine Neigung
	Nur nach unten geneigt
	Nur nach links geneigt
	Nach oben und rechts geneigt

Für reguläre Verwendungen kalibrieren Sie Ihr Horizont-Meter ohne Kameraneigung. Wenn Sie das Horizont-Meter zur Beibehaltung einer gleichbleibenden Neigung oder für konsistentes Ab- und Aufschwenken verwenden möchten, können Sie es bei Schräglage der Kamera kalibrieren. Informationen zur Kalibrierung des Horizont-Meters finden Sie im Abschnitt „Bewegungssensor-Kalibrierung“.

Fadenkreuz

Diese Einstellung zeigt in der Mitte des Bildes ein Fadenkreuz an. Wie das Drittel-Raster ist auch das Fadenkreuz ein sehr hilfreiches Kompositionswerkzeug. So fängt man das Objekt genau in der Bildmitte ein. Diese Option wird manchmal verwendet, wenn Szenen gedreht werden, die später in schnellen Schnittfolgen zusammengesetzt werden. Oft ist es für den Zuschauer leichter, schnellen Schnitten zu folgen, wenn sich die Augen auf die Mitte konzentrieren.

Punkt

Diese Einstellung zeigt in der Mitte des Bildes einen Punkt an. Der mittige Punkt hat denselben Zweck wie das Fadenkreuz, ist aber ein dezenteres Overlay, das weniger aufdringlich wirkt.

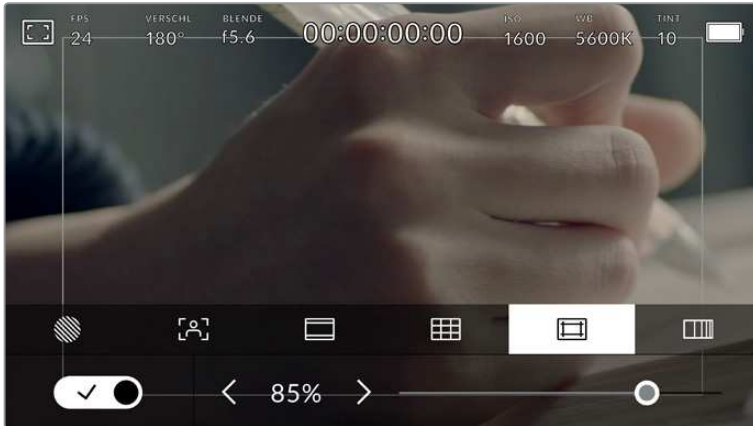
TIPP Weitere Informationen zum Aktivieren des Raster-Modus für die HDMI-Ausgabe Ihrer Kamera finden Sie im Abschnitt MONITOR-Einstellungen in diesem Handbuch.

Schutzbereichslinien

Über die Schutzbereich-Einstellung (erkenntlich am Doppelrahmen) lassen sich diese Markierungen auf dem LCD-Touchscreen ein- und ausschalten. Auch die Abmessungen des Bereichs für die HDMI-Ausgabe werden hier vorgegeben.

Schutzbereiche können in Fernsehproduktionen eingesetzt werden, damit die wichtigsten Bereiche eines Shots von den meisten Zuschauern gesehen werden können. Indem Sie die wichtigsten Objekte Ihres Shots in diesem zentrierten sendesicheren Bereich halten, verhindern Sie, dass das Bild auf einigen Fernsehgeräten abgeschnitten wird. Zudem hat die Sendeanstalt die Möglichkeit, Fliegen, Newsticker und andere Overlays am Bildschirmrand einzublenden. Für die Einreichung von Footage muss wichtiger Content wie Titel und Grafiken bei vielen Sendeanstalten innerhalb eines Schutzbereichs von 90 % liegen.

Schutzbereiche dienen auch der Kadrierung von Einstellungen, wenn Sie bspw. wissen, dass ein Shot in der Postproduktion stabilisiert werden soll. Dadurch können die Kanten des Bilds abgeschnitten werden. Des Weiteren können Schutzbereiche verwendet werden, um einen bestimmten Zuschnitt anzuzeigen. Hier ein Beispiel: Bei einer Einstellung von 50 % können Sie beim Aufzeichnen in Ultra HD 3840 x 2160 sehen, wie eine Framegröße von 1920 x 1080 aussehen würde. Schutzbereiche werden entsprechend der vorgegebenen Bildrandmarkierungen skaliert und so angepasst, dass sie die ausgewählte Prozentzahl Ihres Zielframes anzeigen.



Der Schutzbereich-Indikator ist auf 85 % eingestellt

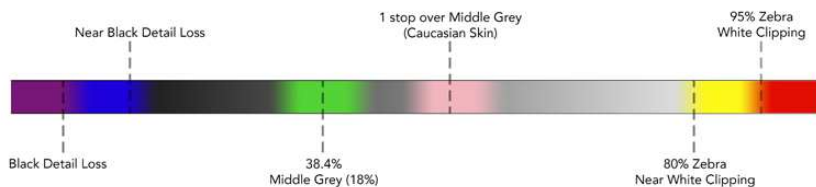
Um Schutzbereiche auf dem LCD-Touchscreen ein- oder auszuschalten, tippen Sie unter der Schutzbereich-Schaltfläche unten links auf das Schalter-Icon. Die Größe des Schutzbereichs für die HDMI-Ausgabe Ihrer Kamera stellen Sie über die Links- und Rechtspfeile seitlich der aktuellen numerischen Werte am unteren Rand des Touchscreens ein. Oder ziehen Sie den Schieberegler nach rechts oder links.

Falschfarben

Über diese Einstellung lässt sich die Darstellung der Falschfarben-Belichtungshilfe auf dem LCD-Touchscreen anpassen.

Die Falschfarben-Funktion stellt unterschiedliche Helligkeitswerte von Elementen in Ihrem Bild in Farben dar, die dem jeweiligen Wertebereich entsprechen. Pink besagt bspw. die optimale Belichtung für helle Hauttöne, während die dunklere Farbe Grün für dunklere Hauttöne steht. Wenn Sie beim Filmen von Menschen auf das Pink oder Grün der Falschfarben-Funktion achten, hilft Ihnen das beim Einstellen einer gleichförmigen Belichtung der Hauttöne.

Gleichermaßen zeigt Ihnen eine vom Gelben ins Rote wechselnde Falschfarben-Darstellung an, dass diese Bildbereiche nun überbelichtet sind.



Falschfarbentabelle

Um die Falschfarben-Funktion auf dem LCD-Touchscreen ein- oder auszuschalten, tippen Sie unter der Falschfarben-Schaltfläche unten links auf das Schalter-Icon.



Die Falschfarben-Schaltfläche für die Belichtungshilfe

Bilder pro Sekunde

Die FPS-Anzeige zeigt die derzeit ausgewählte Anzahl der Bilder pro Sekunde (Frames per Second) an.



Tippen Sie auf den FPS-Indikator, um die Bildraten-Einstellungen zu öffnen

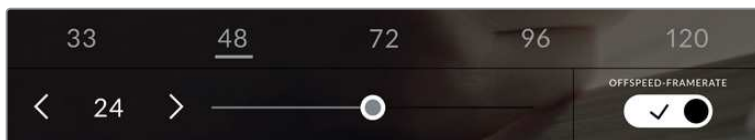
Durch Antippen des FPS-Indikators können Sie die Sensor- und Projekt-Framerate über die Schaltfläche am unteren Rand des LCD-Touchscreens ändern.

Projekt-Framerate

Die Projekt-Framerate bestimmt auch die Framerate des Aufzeichnungsformats der Kamera. Hierfür gibt es eine Auswahl von in der Film- und Fernsehbranche gebräuchlichen Frameraten. Diese Framerate stellt man in der Regel passend für die Abläufe in der Postproduktion ein.

Es sind acht verschiedene Projekt-Frameraten verfügbar: 23,98; 24; 25; 29,97; 30; 50; 59,94 und 60 fps.

Um die Projekt-Framerate Ihrer Kamera im FPS-Menü anzupassen, tippen Sie auf die Pfeilsymbole neben der aktuell ausgewählten Framerate unten links auf dem Display. Oder ziehen Sie den Schieberegler nach rechts oder links.

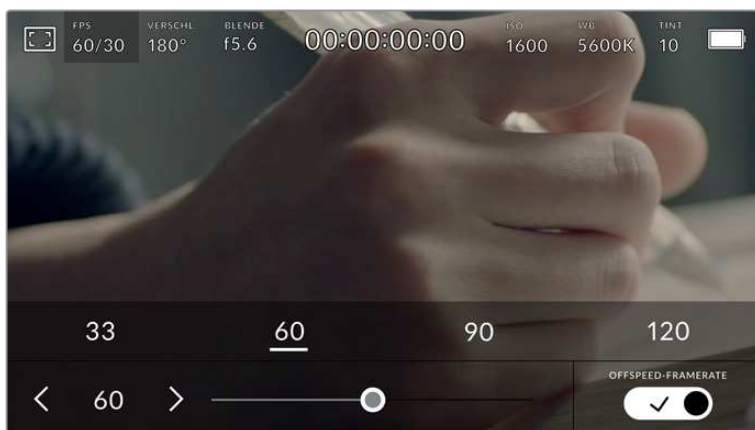


Um Anpassungen vorzunehmen, tippen Sie auf die Pfeilsymbole neben der Projekt-Framerate oder bewegen Sie den Schieberegler hin und her

TIPP Die Projekt-Framerate Ihrer Blackmagic Pocket Cinema Camera gibt auch die Framerate für die HDMI-Ausgabe vor.

Sensor-Framerate

Anhand der Sensor-Framerate wird vorgegeben, wie viele Vollbilder pro Sekunde der Sensor tatsächlich aufzeichnet. Diese Framerate wirkt sich darauf aus, wie schnell oder langsam Ihr Video bei Ihrer vorgegebenen Projekt-Framerate wiedergegeben wird.



Aktivieren Sie zunächst die Funktion OFFSPEED-FRAMERATE. Um Anpassungen vorzunehmen, tippen Sie auf die Pfeilsymbole neben der Sensor-Framerate oder bewegen Sie den Schieberegler hin und her

Standardmäßig sind die Projekt- und Sensor-Framerate auf eine natürliche Wiedergabegeschwindigkeit eingestellt. Wenn Sie jedoch auf den Schalter OFFSPEED-FRAMERATE rechts unten im FPS-Menü Ihrer Kamera tippen, können Sie die Sensor-Framerate frei wählen.

Um die Sensor-Framerate zu ändern, tippen Sie auf die Pfeile neben der Sensor-Framerate-Anzeige weiter unten links auf dem Touchscreen. Sie können den Schieberegler auch nach links oder rechts ziehen, um die Framerate zu erhöhen oder zu verringern. Sobald Sie den Schieberegler loslassen, wird die Sensor-Framerate ausgewählt. Im Feld über dem Schieberegler können Sie gängige Offspeed-Frameraten antippen. Diese beruhen auf ihrer aktuellen Projekt-Framerate.

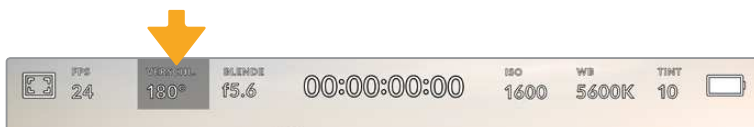
Sie können Ihre Clips mit dynamischen, interessanten Tempoeffekten versehen, indem Sie unterschiedliche Sensor-Frameraten einstellen. Ist die Sensor-Framerate auf einen höheren Wert als Ihre Projekt-Framerate eingestellt, entsteht so während der Wiedergabe ein Zeitlupeneffekt. Ein Beispiel: Beim Filmen mit einer Sensor-Framerate von 60 fps und Wiedergabe mit einer Projekt-Framerate von 24 fps wird die tatsächliche Geschwindigkeit der Action um 40 % verlangsamt. Umgekehrt gilt: Je niedriger Ihre Sensor-Framerate, desto schneller werden Ihre Clips wiedergegeben. Dieser Effekt gleicht dem Prinzip des Overcranking und Undercranking einer Filmkamera. Durch Overcranking wird die Sensor-Framerate beschleunigt, was eine Ausdehnung von Zeitspannen bei der Wiedergabe bewirkt, um Emotionen hervorzuheben. Undercranking hingegen verlangsamt die Sensor-Framerate. So können Sie das Tempo der Action in Szenen mit viel Bewegung weiter beschleunigen. Die kreativen Möglichkeiten sind unendlich und liegen völlig in Ihrer Hand.

Näheres zu den maximalen Bildwechselraten, die für die einzelnen Aufzeichnungsformate und Codecs verfügbar sind, finden Sie in der Tabelle im Kapitel „Aufzeichnen“.

HINWEIS Bei aktivierter Offspeed-Framerate sind Ton und Video nicht mehr synchronisiert. Das ist sogar der Fall, wenn Sie die gleiche Framerate für Projekt und Sensor gesetzt haben. Soll die Tonsynchronisierung gewährleistet sein, meiden Sie deshalb die Option Offspeed-Framerate.

Verschluss

Der Verschluss-Indikator zeigt den Verschlusswinkel bzw. die Verschlusszeit an. Durch Antippen dieses Indikators können Sie die Verschlusswerte Ihrer Kamera manuell ändern oder die Verschlusspriorität über Belichtungsautomatik-Modi konfigurieren. Sie können auswählen, ob Verschlusswerte als Verschlusswinkel oder Verschlusszeit angegeben werden. Näheres finden Sie im Abschnitt SETUP-Einstellungen in diesem Handbuch.



Tippen Sie auf den VERSCHL.-Indikator, um auf die Verschluss-Einstellungen zuzugreifen

Der Verschlusswinkel bzw. die Verschlusszeit bestimmt das Ausmaß der Bewegungsunschärfe in Ihrem Video und kann darüber hinaus zur Kompensierung variierender Lichtverhältnisse genutzt werden. Meist liegt der optimale Verschlusswinkel für eine angemessene Bewegungsunschärfe bei 180 Grad bzw. bei einer Verschlusszeit von 1/50 Sekunde. Wenn sich jedoch die Beleuchtungsverhältnisse verändern oder mehr Bewegungen in Ihrer Szene vorkommen, erfordert dies ggf. entsprechende Feinabstimmungen.

Zum Beispiel gilt eine 360-Grad-Einstellung, bei der die maximale Lichtmenge auf den Sensor trifft, als weit offen. Dies ist eine geeignete Einstellung für Szenen bei Low-Light-Bedingungen mit geringfügiger Bewegung. Beim Filmen von vielbewegten Objekten sorgt ein geringer Verschlusswinkel von bspw. 90 Grad für minimale Bewegungsunschärfe und ergibt schärfere, gestochenere Aufnahmen. Welche Verschlusszeit einem bestimmten Verschlusswinkel entspricht, ist abhängig von der verwendeten Framerate.

Wenn Sie bspw. bei 25 fps filmen, entsprechen 360 Grad 1/25 und 90 Grad 1/100 einer Sekunde.

Beim Drehen in Kunstlicht macht der gewählte Verschlusswert auftretendes Flimmern ggf. stärker sichtbar. Ihre Blackmagic Pocket Cinema Camera berechnet flimmerfreie Verschlusswerte anhand der aktuellen Framerate automatisch. Beim Anpassen des Verschlusses zeigt die Kamera Ihnen am unteren Rand des Touchscreens bis zu drei flimmerfreie Verschlussoptionen an. Diese Verschlusswerte hängen von der Netzfrequenz in Ihrer Region ab. Im Einrichtungsmenü Ihrer Kamera können Sie die lokale Netzfrequenz auf 50 Hz oder 60 Hz einstellen. Näheres finden Sie im Abschnitt SETUP-Einstellungen in diesem Handbuch.

Wenn Sie den VERSCHL.-Indikator antippen, werden Ihnen am unteren Rand des Touchscreens Verschlusswerte vorgeschlagen. Bei ausgeschalteter Belichtungsautomatik zeigt dieser Bildschirm den derzeit ausgewählten Verschlusswert sowie die verfügbaren flimmerfreien Verschlusswerte an. Letztere sind abhängig von der im SETUP-Menü Ihrer Kamera ausgewählten Netzfrequenz. Näheres finden Sie im Abschnitt SETUP-Einstellungen in diesem Handbuch.

HINWEIS Aufgrund der Eigenschaften individueller Lichtquellen kann es selbst mit „flimmerfreien“ Verschlusswerten zu Flimmern kommen. Wir empfehlen Ihnen daher, bei unregelmäßigem Licht einen Probedreh vorzunehmen.

Um einen flimmerfreien Verschlusswert auszuwählen, tippen Sie einfach auf einen der angezeigten Shutter-Werte. Durch die gängigsten Verschlusswerte navigieren Sie, indem Sie auf einen der Pfeile rechts und links des aktuellen Verschlusswert-Indikators tippen.



Ihre Kamera schlägt Ihnen flimmerfreie Verschlusswerte entsprechend der Netzfrequenz vor, die Sie im SETUP-Menü ausgewählt haben

Wenn Sie im Freien drehen oder flimmerfreie Lichtquellen verwenden, können Sie einen Verschlusswert auch manuell wählen, indem Sie den aktuellen Verschlusswert unten links auf dem Bildschirm zweimal kurz hintereinander antippen. Ist „Verschlusswinkel“ ausgewählt, erscheint eine kleine Tastatur, über die Sie einen beliebigen Verschlusswinkel zwischen 5 und 360 Grad einstellen können.



Geben Sie den Verschlusswinkel manuell über die kleine Tastatur ein, wenn Sie im Freien oder bei flimmerfreiem Licht drehen

Ihre Blackmagic Pocket Cinema Camera hat drei verschlussbasierte Belichtungsautomatik-Modi. Um einen davon auszuwählen, tippen Sie auf den Button BELICHTUNGSAUTOMATIK ganz rechts im Verschlussmenü.

Verschluss

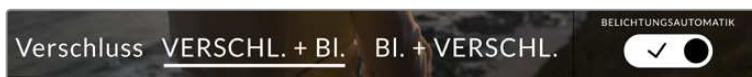
Diese Einstellung justiert den Verschlusswert automatisch, um bei konstanter Blendenöffnung eine konstante Belichtung beizubehalten. Wenn Sie eine feste Schärfentiefe beibehalten möchten, wählen Sie diese Einstellung. Denken Sie jedoch daran, dass kleinste automatische Anpassungen des Verschlusses Auswirkungen auf die Bewegungsunschärfe haben können. Beim Dreh in geschlossenen Räumen ist es zudem ratsam, auf etwaiges Flimmern zu achten, das durch unterschiedliche Beleuchtungskörper hervorgerufen werden kann. Die Blendenautomatikfunktion ist nicht verfügbar, wenn der Verschlussmodus BELICHTUNGSAUTOMATIK ausgewählt ist.

Verschluss + Blende

Behält die korrekte Belichtungsstärke bei, indem zunächst der Verschluss und anschließend die Blendenöffnung angepasst wird. Wenn der maximal oder minimal verfügbare Blendenwert erreicht ist, der Belichtungswert dabei aber nicht beibehalten werden kann, justiert die Kamera für eine konstante Belichtung den Verschlusswert.

Blende + Verschluss

Behält die korrekte Belichtungsstärke bei, indem zunächst die Blendenöffnung und anschließend der Verschlusswert angepasst werden. Wenn die maximal oder minimal verfügbare Blendenöffnung erreicht ist, der Belichtungswert dabei aber nicht beibehalten werden kann, justiert Ihre Kamera für eine konstante Belichtung den Verschlusswert.

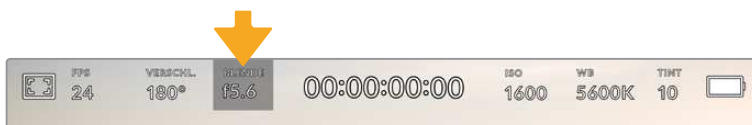


Tippen Sie im VERSCHL.-Menü auf BELICHTUNGSAUTOMATIK, um auf die verschlussbasierten Belichtungsautomatik-Modi zuzugreifen

TIPP Wenn sich der aktivierte Modus für automatische Belichtung auf den Verschluss oder die Blende auswirkt, erscheint oben auf dem LCD-Touchscreen neben dem Verschluss- oder Blendenindikator ein kleines „A“.

Blende

Der Blendenindikator zeigt die aktuell ausgewählte Blendenöffnung an. Durch Antippen dieses Indikators lässt sich die Blendenöffnung an kompatiblen Objektiven anpassen und die blendenbasierten Belichtungsautomatik-Modi konfigurieren.



Tippen Sie auf den Blendenindikator, um auf die Blendeneinstellungen zuzugreifen

HINWEIS Wenn Ihre Blackmagic Pocket Cinema Camera mit einem Objektiv versehen ist, das Änderungen der Blendenwerte über die Kamera unterstützt, lässt sich die Blende über den LCD-Touchscreen steuern.

Durch Antippen des Blendenindikators öffnet sich das Blendenmenü am unteren Rand des Touchscreens. Ihre aktuelle eingestellte Blendenöffnung wird ganz links im Menü angezeigt. Sie können die Blendeneinstellung ändern, indem Sie auf die Pfeile neben der aktuellen Blendeneinstellung tippen oder den Schieberegler nach links oder rechts ziehen.



Tippen Sie im Blendenmenü auf die Pfeile neben dem Blendenndikator oder benutzen Sie den Schieberegler, um Blendeneinstellungen anzupassen

Das Antippen des Schalter-Icons BELICHTUNGSAUTOMATIK ganz rechts im „Blenden“-Menü öffnet das Blendenautomatik-Menü.

Hier stehen Ihnen folgende Optionen zur Verfügung:

Blende

Um eine konstante Belichtung bei konstantem Verschlusswinkel zu gewährleisten, justiert diese Einstellung die Blendenöffnung automatisch. Dies wirkt sich nicht auf die Bewegungsunschärfe, ggf. jedoch auf die Schärfentiefe aus.

Blende + Verschluss

Behält die korrekte Belichtungsstärke bei, indem zunächst die Blendenöffnung und anschließend der Verschlusswert angepasst werden. Wenn die maximal oder minimal verfügbare Blendenöffnung erreicht ist, der Belichtungswert dabei aber nicht beibehalten werden kann, justiert Ihre Kamera für eine konstante Belichtung den Verschlusswert.

Verschluss + Blende

Behält die korrekte Belichtungsstärke bei, indem zunächst der Verschluss und anschließend die Blendenöffnung angepasst wird. Wenn der maximal oder minimal verfügbare Verschlusswert erreicht ist, der Belichtungswert dabei aber nicht beibehalten werden kann, justiert Ihre Kamera für eine konstante Belichtung die Blendenöffnung.



Tippen Sie im Blendenmenü auf BELICHTUNGSAUTOMATIK, um auf die blendenbasierten Belichtungsautomatik-Modi zuzugreifen

TIPP Wenn sich der aktivierte Modus für automatische Belichtung auf die Blende oder den Verschluss auswirkt, erscheint oben auf dem LCD-Touchscreen neben dem Blenden- oder Verschlussindikator ein kleines „A“.

Clipdaueranzeige

Ganz oben auf dem LCD-Touchscreen Ihrer Kamera sehen Sie die Clipdaueranzeige.



Die Clipdaueranzeige Ihrer Kamera leuchtet während der Aufzeichnung rot

Anhand der Clipdaueranzeige in Form eines Timecode-Zählers lässt sich die Dauer Ihrer Clips prüfen und der Timecode bei Aufnahme und Wiedergabe kontrollieren. Der Zähler zeigt eine Sequenz in Stunden:Minuten: Sekunden:Frames an und läuft während der Aufnahme oder Wiedergabe von Clips mit. Der Timecode wird während der Aufzeichnung in Rot angezeigt.

Die Clipdaueraufnahme beginnt bei 00:00:00:00. Die Dauer des aktuellen oder zuletzt aufgezeichneten Clips wird auf dem Touchscreen angezeigt. Der Uhrzeit-Timecode wird in die Clips eingebettet. Dies vereinfacht die Postproduktion.

Um den Timecode anzuzeigen, tippen Sie einfach auf die Clipdaueranzeige. Tippen Sie erneut darauf, um zur Clipdaueranzeige zurückzukehren.

Folgende zusätzliche Statusindikatoren erscheinen ggf. mit der Daueranzeige:

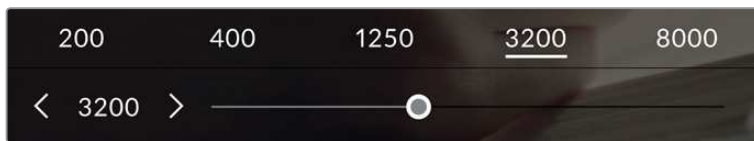
- | | |
|------------|--|
| W | Erscheint links neben der Daueranzeige, wenn Ihre Blackmagic Pocket Cinema Camera in einem gecroppten Sensormodus filmt. |
| TC | Erscheint rechts neben der Daueranzeige, wenn der Timecode angezeigt wird. |
| EXT | Erscheint rechts neben der Daueranzeige, wenn ein gültiger externer LTC-Timecode an die 3,5mm-Stereobuchse angeschlossen ist. |
| INT | Erscheint rechts neben der Daueranzeige, wenn die Kamera nach einem Jam-Sync und einer Unterbrechung einen internen Timecode abspielt. |

ISO

Der ISO-Indikator zeigt die aktuelle ISO-Einstellung bzw. Lichtempfindlichkeit an. Durch Antippen dieser Indikatoren können Sie Ihren ISO-Wert bei variierenden Lichtverhältnissen anpassen.



Tippen Sie auf den ISO-Indikator, um auf die ISO-Einstellungen zuzugreifen



Bei geöffnetem ISO-Menü erscheinen die ISO-Einstellungen Ihrer Kamera am unteren Rand des LCD-Touchscreens. Mit dem Schieberegler unter den Presets können Sie den ISO-Wert in Drittel-Blendenstufen anpassen

Je nach Situation mag eine niedrigere oder höhere ISO-Einstellung geeigneter sein. Bspw. mag ein ISO-Wert von 25.600 in Niedriglichtsituationen geeignet sein, ruft aber möglicherweise ein sichtbares Bildrauschen hervor. Bei hellen Lichtverhältnissen kann ein ISO-Wert von 100 gesättigtere Farben bewirken.

Duale native ISO-Empfindlichkeiten

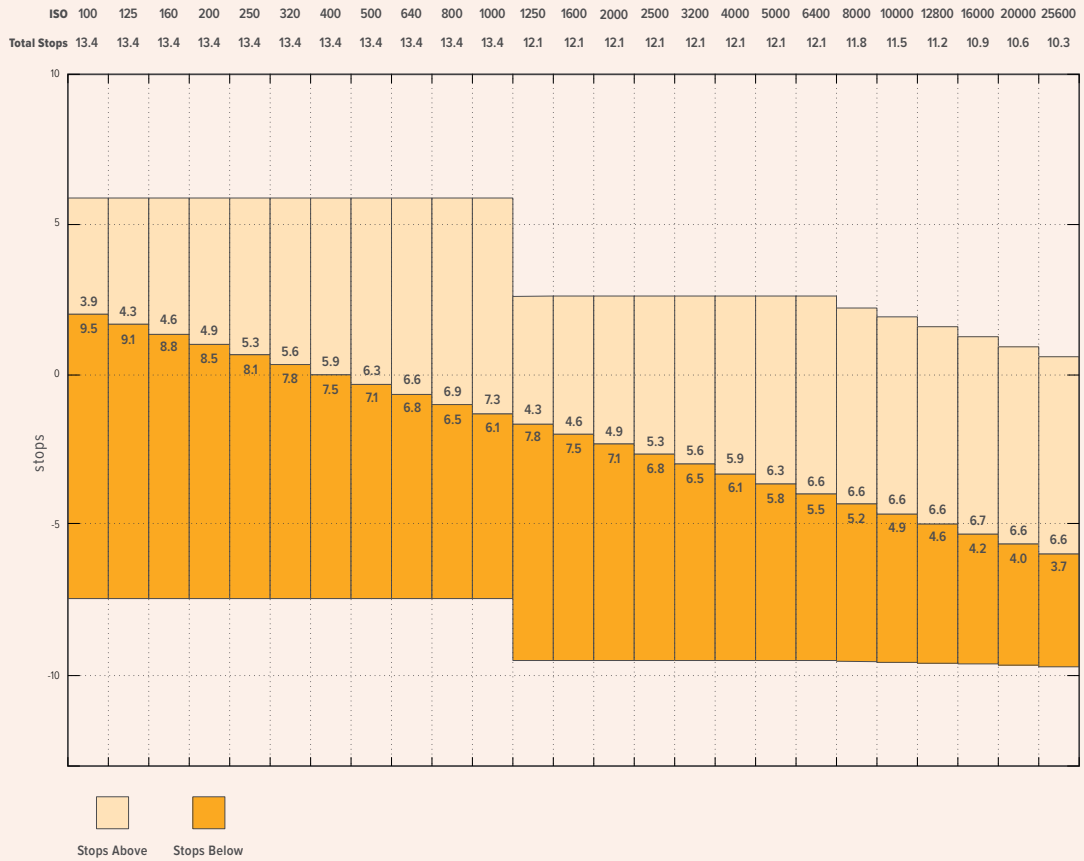
Ihre Blackmagic Pocket Cinema Camera verfügt über zwei native ISO-Empfindlichkeiten (Dual Native ISO), die bei den Referenzwerten ISO 400 und ISO 3200 liegen. Der Sensor ist demnach sowohl für Aufnahmen bei Niedriglicht als auch bei hellem Tageslicht optimiert.

Wenn Sie die ISO-Einstellung für wechselnde Lichtverhältnisse anpassen, wirkt die „Dual native ISO“-Funktion im Hintergrund und sorgt dafür, dass Ihre Footage sauber ist und bei geringen und hohen ISO-Werten ein minimales Rauschen aufweist.

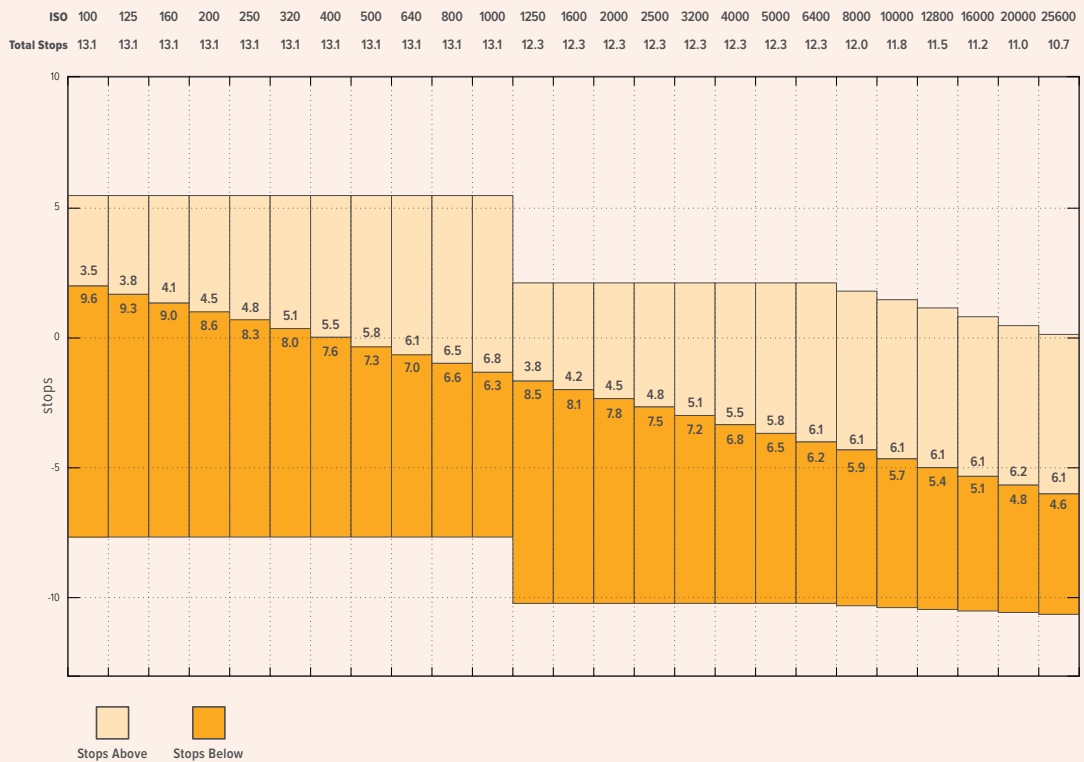
Bei ISO-Einstellungen zwischen 100 und 1.000 wird der native ISO-Empfindlichkeitswert von 400 als Referenz verwendet. Für ISO-Einstellungen zwischen 1.250 und 25.600 liegt dieser native Referenzwert bei 3.200. Bei Drehbedingungen, in denen Sie die Wahl zwischen einem ISO-Wert von 1.000 oder 1.250 haben, empfehlen wir Ihnen, die Blende Ihres Objektivs um eine Blendenstufe herunterzusetzen. Bei einem eingestellten ISO-Wert von 1.250 orientiert sich die Kamera am höheren nativen ISO-Referenzwert, was deutlich sauberere Ergebnisse liefert.

Die nachstehenden Tabellen verdeutlichen das Verhältnis zwischen ISO-Auswahl und verfügbarem Dynamikumfang.

Dynamikumfang der Blackmagic Pocket Cinema Camera 6K



Dynamikumfang der Blackmagic Pocket Cinema Camera 4K



Weißabgleich




Die Indikatoren WB und TINT zeigen den aktuellen Weißabgleich und Farbton Ihrer Kamera an. Durch Antippen dieser Indikatoren können Sie den Weißabgleich sowie den Farbton Ihrer Kamera bei variierenden Lichtverhältnissen anpassen.



Tippen Sie auf die Indikatoren WB und TINT, um auf die Einstellungen für Weißabgleich und Tönung zuzugreifen

Lichtquellen geben Licht verschiedener Färbung aus. Eine Kerze strahlt bspw. warmes Licht aus und ein bedeckter Himmel kühleres Licht. Die Weißabgleichereinstellungen dienen zum Ausbalancieren der Farben eines Bildes, damit Weißbereiche auch wirklich weiß bleiben. Dies geschieht durch das Anpassen der Orange- und Blautöne in Ihrem Bild. Beispiel: Beim Filmen unter Kunstlichtlampen, die warmes, orangefarbenes Licht abgeben, bewirkt man durch Auswahl von 3200 K, dass dem Bild zusätzliches Blau beigefügt wird. Der hiermit bewirkte farbliche Abgleich sorgt für eine akkurate Aufzeichnung von Weiß.

Ihre Blackmagic Pocket Cinema Camera bietet Weißabgleichsvoreinstellungen (Presets) für verschiedene Farbtemperaturen. Folgende Presets sind vorhanden:

	Helles Sonnenlicht	(5600 K)
	Glühlampen	(3200 K)
	Leuchtstofflampen	(4000 K)
	Gemischtes Licht	(4500 K)
	Wolken	(6500 K)

Sie können all diese Presets nach Belieben anpassen. Tippen Sie dafür auf die Pfeile links und rechts des Temperaturindikators unten links im Menü für den Weißabgleich. Durch jedes Antippen wird die Farbtemperatur um 50 K erhöht bzw. verringert. Wenn Sie die Pfeilsymbole gedrückt halten, ändern sich die Werte schneller. Alternativ können Sie auch den Schieberegler in der Mitte des Weißabgleich-Menü bewegen.

Um Ihr Bild weiter anzupassen, können Sie zudem die Tönung (Tint) anpassen. Dies verändert die Grün- und Magentaanteile in Ihrem Bild. Das Hinzufügen von Magentaanteilen kann bspw. den Grüntisch kompensieren, den Leuchtstofflampen häufig verursachen. Viele der Weißabgleichsvoreinstellungen Ihrer Blackmagic enthalten eine leichte Tönung.



Durch Antippen des WB- oder TINT-Indikators erhalten Sie Zugriff auf fünf Presets, zwei Weißabgleichindikatoren, links einen Schieberegler und rechts einen Tintindikator. Passen Sie diese an, um einen benutzerdefinierten Weißabgleich (CWB = Custom White Balance) für Ihre Lichtverhältnisse einzustellen

Im Weißabgleich-Menü wird der derzeitige Farbton der Kamera rechts unten auf dem Touchscreen angezeigt. Um den Farbton anzupassen, tippen Sie einfach kurz auf die Pfeile links und rechts des TINT-Indikators oder halten sie gedrückt. Der verfügbare Bereich liegt bei -50 bis +50 in Schritten von einer Einheit. Halten Sie die Pfeile gedrückt, um den Wert schneller zu verändern.

HINWEIS Die Vorgabe eines benutzerspezifischen Weißabgleichs oder Tönungswerts bewirkt, dass Ihr Preset auf CWB (Custom White Balance) wechselt. Benutzerspezifische Weißabgleichereinstellungen haben hohe Priorität und bleiben nach dem Ein- und Ausschalten konfiguriert. Das Gleiche gilt, wenn zu einem Preset und wieder zurück zu CWB gewechselt wird. So ist es ein Leichtes, einen benutzerspezifischen Weißabgleich mit dem zuletzt verwendeten Preset zu vergleichen.

Automatischer Weißabgleich

Ihre Blackmagic Pocket Cinema Camera kann den Weißabgleich automatisch vornehmen. Durch Antippen von AWB (Automatic White Balance) gelangen Sie ins Weißabgleich-Menü.

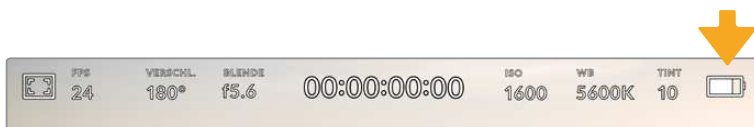
Wenn Sie den automatischen Weißabgleich einstellen, erscheint ein Quadrat-Overlay in der Mitte Ihres Bildes. Richten Sie dieses Quadrat auf eine neutrale Oberfläche wie eine weiße oder graue Karte und tippen Sie auf „WB Aktualisieren“. Ihre Kamera passt den Weißabgleich und die Tintwerte nun automatisch an, damit die durchschnittlichen Weiß- oder Grautöne innerhalb des Quadrats so neutral wie möglich aussehen. Sobald Sie den Weißabgleich aktualisiert haben, verwendet Ihre Kamera ihn als standardmäßige Einstellung. Alternativ halten Sie die WB-Taste oben auf Ihrer Kamera für drei Sekunden gedrückt, um den automatischen Weißabgleich auszuwählen und die Funktion „WB Aktualisieren“ zu aktivieren.



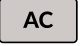

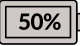
Wenn Sie im Weißabgleich-Menü auf das AWB-Icon tippen, rufen Sie den Bildschirm für den automatischen Weißabgleich auf. Verwenden Sie eine weiße oder neutral graue Oberfläche, um einen neutralen Weißabgleich automatisch einzustellen.

Strom

Die Stromquelle und der Ladezustand der Kamera werden oben rechts auf dem LCD-Bildschirm angezeigt.



Im Akkubetrieb können Sie durch Antippen des Stromindikators zwischen verschiedenen Anzeigen wechseln

	AC	Zeigt an, wenn Ihre Kamera mit Netzstrom versorgt wird.
	AC / Aufladen	Zeigt an, wenn Ihre Kamera mit Netzstrom versorgt wird und gleichzeitig den mobilen LP-E6-Akku oder bei Einsatz eines Blackmagic Pocket Camera Battery Grips die NP-F570-Akkus auflädt.
	Prozent	Wenn Ihr Akku eine prozentuale Anzeige unterstützt, wird der verbleibende Ladezustand als Akkusymbol in Prozent angezeigt. Er entleert sich in Schritten von 1 %. Bei einem verbleibenden Ladezustand von 20 % wird der Akkubalken in Rot angezeigt. Um die prozentuale Anzeige ein- und auszuschalten, tippen Sie auf das Akkusymbol.



Akkubalken

Der mit Ihrer Kamera gelieferte Akku zeigt ein Akkusymbol an, das sich in Schritten von 25 % entleert. Bei einem verbleibenden Ladezustand von 20 % wird der Akkubalken rot angezeigt.



Battery Grip Akkubalken

Bei Anschluss eines Blackmagic Pocket Camera Battery Grips an Ihre Kamera, können Sie über diese Akkubalken den Ladezustand beider Akkus getrennt überwachen.

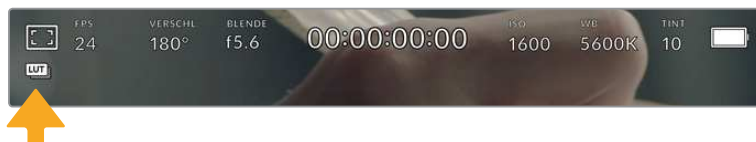


Spannung der Stromquelle

Zeigt die vom Akku oder von einem an die DC-Buchse angeschlossenen Steckernetzteil, einem D-Tap-Adapterkabel oder von einer eigenen Stromversorgungslösung gelieferte Spannung. Tippen Sie auf das Akkusymbol, um die Spannungsanzeige ein- und auszuschalten.

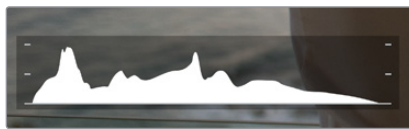
LUT-Indikator

Wenn Sie am Set eine LUT als Vorschautool einsetzen, zeigt ein LUT-Icon in der oberen linken Ecke des Bildschirms an, dass die LUT aktiv ist.



Histogramm

Unten rechts auf dem Touchscreen Ihrer Kamera sehen Sie das Histogramm. Das Histogramm stellt die Kontraste zwischen schwarzen und weißen Tonwerten anhand einer horizontalen Skala dar.



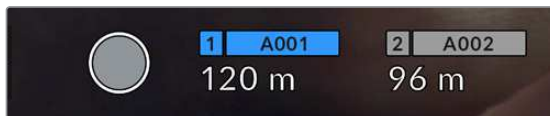
Das Histogramm verschafft Ihnen einen Überblick über die Tonwertspanne zwischen Schatten und Lichtern in Ihrem Clip. Es ist außerdem ein hilfreiches Werkzeug, um die Ausgewogenheit der Belichtung zu überprüfen und sicherzustellen, dass keine Lichter abgeschnitten werden.

Am linken Rand des Histogramms werden die Schatten bzw. Schwarzwerte und ganz rechts die Lichter bzw. Weißwerte angezeigt. Wenn Sie die Blende schließen oder öffnen, wird Ihnen auffallen, dass sich die Helligkeitsinformationen im Histogramm entsprechend nach links oder rechts verschieben. Sie können somit die Schatten und Lichter Ihrer Bilder auf Clipping überprüfen. Wenn die linke und rechte Kante Ihres Histogramms abrupt abfallen und nicht graduell auslaufen, kann es sein, dass Details in den hellen und dunklen Bereichen verloren gehen.

HINWEIS Ist unten links an Ihrem Touchscreen kein Histogramm zu sehen, sind Ihre MONITOR-Einstellungen für LCD möglicherweise auf die Anzeige von „Codec und Auflösung“ eingestellt. Näheres finden Sie im Abschnitt MONITOR-Einstellungen in diesem Handbuch.

Aufnahme-Button

Unten auf dem Touchscreen Ihrer Blackmagic Design Pocket Cinema Camera findet sich neben dem Histogramm ein runder grauer Button. Dies ist der Aufnahme-Button. Tippen Sie einmal auf den Button, um mit der Aufzeichnung zu beginnen. Ein erneutes Antippen stoppt die Aufzeichnung. Während der Aufzeichnung werden der Aufnahme-Button, der Speicher-Indikator daneben und der Timecode oben auf dem Touchscreen Ihrer Blackmagic Pocket Cinema Camera in Rot angezeigt.



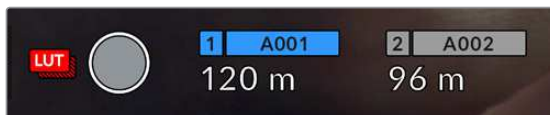
Der Aufnahme-Button befindet sich neben den Speicher-Indikatoren am unteren Rand des LCD-Touchscreens



Der Aufnahme-Button leuchtet rot, wenn aufgezeichnet wird

LUT auf Clip angewandt

Wenn Sie in den AUFNAHME-Einstellungen vorgegeben haben, eine LUT auf Ihre aufgezeichneten Clips anzuwenden, wird dies im Standby-Modus und während der Aufzeichnung auf dem Touchscreen angezeigt.



Das LUT-Symbol teilt Ihnen mit, dass die ausgewählte LUT für aufgenommene Clips mit aufgezeichnet wird



Das LUT-Symbol zeigt an, dass die ausgewählte LUT mit dem Clip aufgezeichnet wird

Indikator für ausgelassene Bilder

Der Aufnahme-Button wird mit einem blinkenden „!“ überdeckt, wenn Ihre Kamera während der Aufzeichnung Bilder auszulassen beginnt. Der Balken für die verbleibende Aufnahmedauer der betroffenen Karte bzw. Karten wird ebenfalls rot. Wenn Ihre CFast-Karte bspw. Bilder auslässt, erscheint das „!“ anstelle des Aufnahme-Buttons und die verbleibende Aufnahmedauer für die CFast-Karte wird in Rot angezeigt. Das informiert Sie darüber, ob eine bestimmte Karte zu langsam für den ausgewählten Codec oder die ausgewählte Auflösung ist. Die Anzeige für ausgelassene Bilder erscheint außerdem, wenn der vorherige Clip ausgelassene Bilder enthält. Der Indikator wird so lange angezeigt, bis ein neuer Clip aufgezeichnet oder die Kamera aus- und wieder eingeschaltet wird. Wie man vermeidet, dass Frames fallengelassen werden, wird in den Abschnitten „Auswahl einer CFast-2.0-Karte“ und „Auswahl einer SD-Karte“ erklärt.

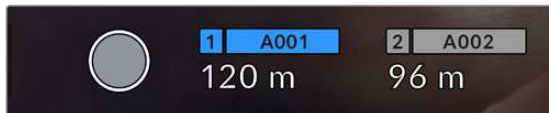


Der Indikator zeigt für die CFast-Karte ausgelassene Bilder an

HINWEIS Sie können Ihre Blackmagic Pocket Cinema Camera so einstellen, dass sie die Aufzeichnung bei Erkennung ausgelassener Bilder stoppt. Näheres finden Sie im Abschnitt AUFNAHME-Einstellungen in diesem Handbuch.

Verbleibende Aufnahmedauer

Wird eine CFast- bzw. SD-Karte eingeschoben oder ein USB-C-Laufwerk an Ihre Kamera angeschlossen, zeigen die Speicher-Indikatoren am unteren Rand des Touchscreens die verbleibende Aufnahmedauer auf der Karte oder dem USB-C-Laufwerk an. Die in Minuten angegebene Zeit variiert entsprechend Ihren gewählten Einstellungen für Bildwechselfrequenz und Codec. Bei Änderung dieser Einstellungen berechnet der Indikator den angegebenen Wert automatisch neu. Bei einer verbleibenden Restzeit von ungefähr fünf Minuten wird der Indikator rot. Bei einer verbleibenden Dauer von nur zwei Minuten beginnt er zu blinken. Erreicht ein Speichermedium seine maximale Kapazität, zeigt der Indikator dies mit VOLL an.



Der Speicher-Indikator zeigt den Namen Ihrer CFast- bzw. SD-Karte oder Ihres USB-C-Laufwerks sowie die verbleibende Aufnahmedauer in Minuten an

Zudem wird der Name des Speichermediums auf einem kleinen Balken über der verbleibenden Aufnahmedauer angezeigt. Ein blauer Balken zeigt an, auf welches Speichermedium aufgezeichnet wird. Um auf eine andere Karte oder ein anderes Laufwerk aufzuzeichnen, halten Sie die Namensanzeige des gewünschten Mediums gedrückt. Während der Aufzeichnung ist der Balken rot.

Durch Tippen auf die Speicher-Indikatoren öffnen Sie das Speicher- und Formatierungsmenü.



Tippen Sie auf die Datenträger-Indikatoren auf dem LCD-Touchscreen, um auf den Speichermanager zuzugreifen

Dieses Menü zeigt den freien Speicherplatz eines jeden CFast-, SD- oder USB-C-Mediums in Ihrer Kamera sowie den Mediennamen, die Länge des letzten Clips, die Gesamtzahl der Clips pro Medium und das Dateiformat an.

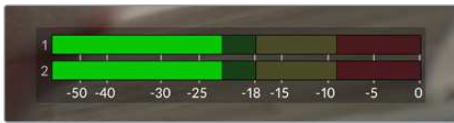
Sie können Ihr Medium über dieses Menü formatieren. Weitere Informationen finden Sie unter „Datenträger für die Aufnahme vorbereiten“ in diesem Handbuch.

TIPP Durch Antippen des Namens eines Speichermediums im Speichermenü wird dieses Medium als aktives vorgegeben. Ihre Blackmagic Pocket Cinema Camera bespielt dieses Medium dann zuerst.

Audiopegelmeter

Bei Verwendung des internen Mikrofons oder einer angeschlossenen externen Audioquelle zeigen die Audiospitzenmeter die Tonpegel der Kanäle 1 und 2 an. Die Tonpegel-Anzeige ist in dBFS kalibriert und verfügt über Peak-Indikatoren mit der Haltefunktion Peak Hold, die nach einer Übersteuerung kurzfristig sichtbar bleiben. Sie zeigen Ihnen erreichte Höchstpegel deutlich an.

Eine optimale Tonqualität wird mit Audiopegeln unter 0 dBFS gewährleistet. Hierbei handelt es sich um den Höchstpegel, den Ihre Kamera aufzeichnen kann. Diesen Wert überschreitendes Audio wird abgeschnitten, was zu Verzerrungen führt.



Die farbigen Balken des Audiopegelmeters zeigen die maximalen Audiopegel an. Die Spitzenwerte Ihres Tons sollten idealerweise am oberen Ende des grünen Bereichs liegen. Schlagen die Pegelspitzen jedoch in den gelben oder roten Bereich aus, so besteht die Gefahr einer Übersteuerung Ihres Tons.

Tippen Sie auf die Audiopegelmesser, um die Lautstärkeregler für Audioeingangskanäle 1 und 2 sowie die Kopfhörer- oder Lautsprecherlautstärke aufzurufen.



Tippen Sie auf die Audiopegelmeter auf dem LCD-Touchscreen, um bequem auf die Lautstärke-, Kopfhörer- oder Lautsprechereinstellungen zuzugreifen

Zweimaliges Tippen zum Zoomen

Durch zweimaliges Tippen auf den LCD-Touchscreen können Sie einen beliebigen Bereich des Vorschaubilds Ihrer Blackmagic Pocket Cinema Camera vergrößern. Dieser Bereich wird vergrößert. Wenn Sie mit Ihrem Finger nun über den LCD-Touchscreen streichen, können Sie im Bild herum navigieren. Besonders hilfreich ist das beim Überprüfen der Fokussierung. Um zur normalen Bildgröße zurückzukehren, tippen Sie einfach erneut zweimal kurz hintereinander auf den Touchscreen. Durch Wischen nach oben oder unten werden alle Statusindikatoren aus dem LCD-Touchscreen ausgeblendet

Pinch-to-Zoom

Mit der Multitouch-Geste „Pinch-to-Zoom“ können Sie auf dem LCD-Touchscreen den Vergrößerungsgrad anpassen. Die HDMI-Ausgabe bleibt davon unberührt.

Für eine zweifache Vergrößerung tippen Sie zweimal hintereinander auf den Touchscreen oder drücken die Fokussiertaste an der Rückseite Ihrer Kamera. Verändern Sie dann mit einer Zoomgeste den Vergrößerungsgrad. Führen Sie auf dem Touchscreen eine Wischbewegung aus, um den vergrößerten Ausschnitt zu verschieben. Um zur normalen Bildgröße zurückzukehren, tippen Sie erneut zweimal hintereinander auf den Touchscreen oder drücken die Fokussiertaste an der Kamera.

Durch zweimaliges Antippen des Touchscreens oder durch Drücken der Fokussiertaste wird zwischen der vorherigen vergrößerten Ansicht und der vollen Bildgröße hin- und hergeschaltet. Wenn Sie zum Beispiel per Pinch-to-Zoom eine achtfache Vergrößerung erzeugen und zweimal kurz hintereinander auf den Touchscreen tippen, wird herausgezoomt. Ein erneutes zweimaliges Antippen ruft wieder die achtfache Vergrößerung auf.

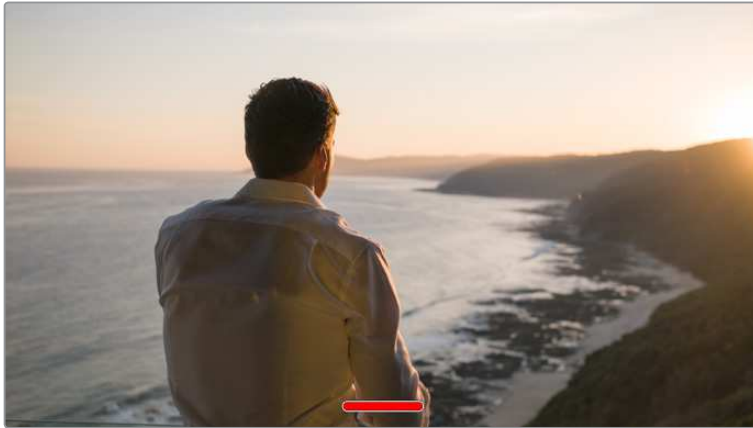
Touch to Focus

Sie können Ihr Objektiv auf einen beliebigen Bildausschnitt einstellen, indem Sie auf einen bestimmten Bereich auf dem LCD-Bildschirm tippen und diesen gedrückt halten. Drücken Sie die Fokustaste, um Ihr Objektiv auf die ausgewählte Stelle zu fokussieren. Um den Fokuspunkt auf die Mitte des Bildschirms zurückzusetzen, drücken Sie die Fokustaste zweimal.

Vollbildschirm-Modus

Bei der Einstellung oder Fokussierung eines Shots ist es manchmal hilfreich, den Statustext und die Messwerte auf dem Touchscreen vorübergehend auszublenden. Um alles zu verbergen, führen Sie auf dem LCD-Touchscreen eine Wischbewegung nach oben oder unten aus. Der Aufnahme-Indikator, Bildrandmarkierungen, Raster, Focus Assist und Zebra bleiben weiterhin sichtbar.

Wischen Sie erneut nach oben oder unten, um den Statustext und die Messwerte wieder einzublenden.



Um alle Indikatoren zu verbergen, führen Sie auf dem LCD-Touchscreen eine Wischbewegung nach oben oder unten aus

Wiedergabemenü

Drücken Sie auf die Wiedergabetaste, um auf das Wiedergabemenü zuzugreifen. Bereits aufgezeichnete Clips können Sie mit den Buttons auf dem LCD-Touchscreen Ihrer Kamera steuern.

Wenn Sie den LCD-Touchscreen benutzen, tippen Sie den Wiedergabe-Button einmal, um die Wiedergabe zu starten und erneut, um sie zu stoppen. Verwenden Sie den Vor- oder Rücklauf-Button, um zum Anfang oder Ende eines Clips zurückzuspringen. Einmaliges Antippen des Vorlauf-Buttons bringt Sie zum nächsten Clip. Um an den Anfang des aktuellen Clips zu gelangen, drücken Sie den Rücklauf-Button einmal. Um zurück zum Anfang des vorherigen Clips zu springen, drücken Sie sie zweimal. Indem Sie auf den Loop-Button tippen, können Clips zudem in Dauerschleife abgespielt werden.



Die Rücklauf-, Wiedergabe-, Vorlauf- und Loop-Buttons

Um vor oder zurück zu spulen, halten Sie die Vor- oder Rücklauf-Buttons gedrückt. Abhängig davon, welche Buttons Sie gedrückt halten, wird Ihre Footage in doppelter Geschwindigkeit vor- oder rückwärts gespielt.

Während des Vor- oder Rücklaufs können Sie die Geschwindigkeit durch erneutes Antippen der Buttons erhöhen. Mit jedem Antippen verdoppelt sich die Vor- bzw. Rücklaufgeschwindigkeit. Die maximale Geschwindigkeit liegt jedoch bei der 16-fachen der normalen Abspielgeschwindigkeit. Durch erneutes Antippen bei 16-facher Geschwindigkeit gelangen Sie zurück zur doppelten Geschwindigkeit. Mit jedem Antippen auf den entgegengesetzten Button halbiert sich die derzeitige Vor- bzw. Rücklaufgeschwindigkeit. Um zur normalen Abspielgeschwindigkeit zurückzukehren, tippen Sie auf den Wiedergabe-Button.



Der Geschwindigkeitsindikator für den Vor- oder Rücklauf zeigt die Geschwindigkeit und Laufrichtung an

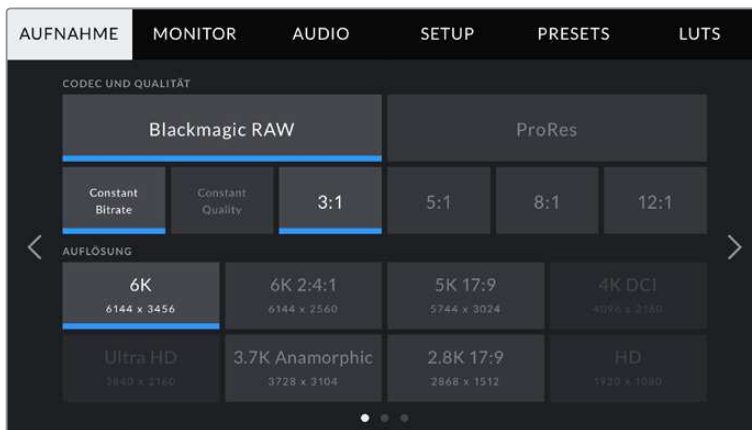
Wird im Wiedergabemodus der Aufnahme-Button gedrückt, versetzt dies Kamera zurück in den Standby-Modus und sie ist wieder aufnahmebereit.

TIPP Wischen Sie auf dem Touchscreen nach oben oder unten, um den Statustext bei der Wiedergabe von Footage zu verbergen. Öffnen Sie die Slate im Wiedergabe-Modus, um den aktuellen Clip in den Metadaten als „Guter Take“ zu markieren. Näheres finden Sie im Abschnitt „Eingeben von Metadaten“.

Einstellungen

Dashboard

Drücken Sie die Menütaste, um das Dashboard der Kamera zu öffnen. Hierbei handelt es sich um ein Menü mit Registerkarten für Einstellungen, die auf dem Touchscreen nicht standardmäßig angezeigt werden. Die Einstellungen sind nach Funktion in folgende Registerkarten unterteilt: AUFNAHME, MONITOR, AUDIO, SETUP, PRESETS und LUTS. Jede Registerkarte besteht aus mehreren Seiten, zu denen Sie jeweils über die Pfeilsymbole am Rand des Bildschirms oder durch Wischen nach links oder rechts gelangen.



Um zwischen den Dashboard-Registerkarten Ihrer Blackmagic Pocket Cinema Camera hin- und herzuwechseln, tippen Sie auf den jeweiligen Reiter

AUFNAHME-Einstellungen

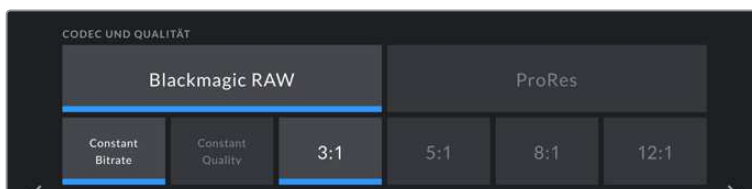
Über die AUFNAHME-Registerkarte können Sie das Videoformat, den Codec und die Auflösung sowie andere wichtige Einstellungen für die Aufzeichnung wie Dynamikumfang und Detailschärfe vorgeben.

AUFNAHME-Einstellungen Seite 1

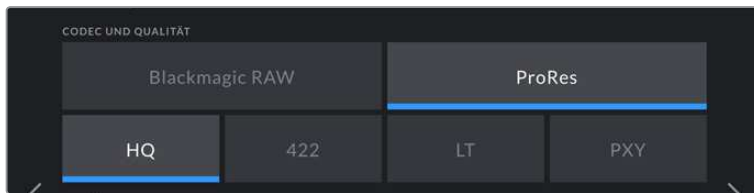
Die erste Seite der AUFNAHME-Einstellungen bietet folgende Optionen:

CODEC UND QUALITÄT

Das Menü für die Einstellungen von Codec und Qualität ist in zwei Reihen aufgeteilt. Die obere Reihe lässt Sie zwischen zwei Codec-Familien wählen – Blackmagic RAW und Apple ProRes. Die untere Reihe bietet eine Auswahl an Qualitätsoptionen innerhalb dieser Familien an. Die in der ProRes-Codecfamilie verfügbaren Qualitätsoptionen sind bspw. ProRes 422 HQ, ProRes 422, ProRes 422 LT und ProRes 422 Proxy. Die Optionen für Blackmagic RAW sind gemäß den Kompressionsmethoden in vier „Constant Bitrate“- und zwei „Constant Quality“-Einstellungen aufgeteilt.



Blackmagic-RAW-Optionen für Codec und Qualität

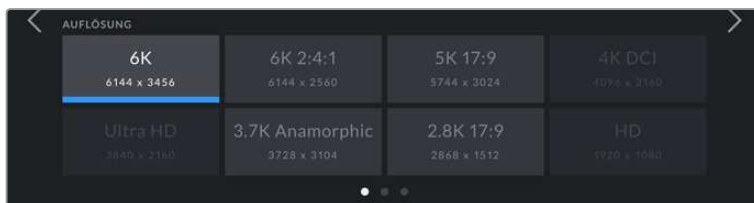


ProRes-Optionen für Codec und Qualität

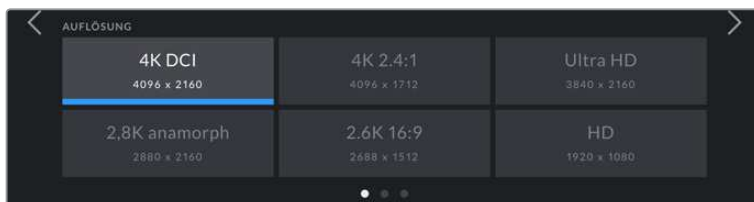
TIPP Sie können mit Ihrer Blackmagic Pocket Cinema Camera mehr Video auf Ihr Speichermedium aufzeichnen, wenn Sie einen Codec mit höherer Kompressionsrate auswählen. Näheres finden Sie in den Tabellen unter „Aufzeichnungsdauer“ im Kapitel „Aufzeichnen“.

AUFLÖSUNG

Diese Einstellung steht in Zusammenhang mit der Codec-Einstellung. Wählen Sie hier die Auflösung für das gewünschte Aufnahmeformat aus. Wenn Sie bspw. Ultra-HD-Clips in ProRes HQ aufzeichnen wollen, wählen Sie im Menü CODEC UND QUALITÄT „ProRes“ und „HQ“ aus. Wählen Sie anschließend unter AUFLÖSUNG „Ultra HD“ aus.



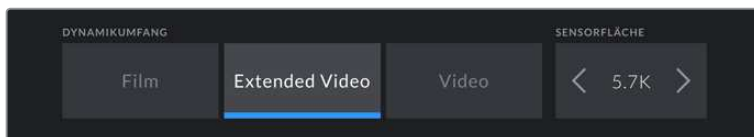
Pocket Cinema Camera 6K – Auflösungen bei Verwendung des Blackmagic-RAW-Codecs



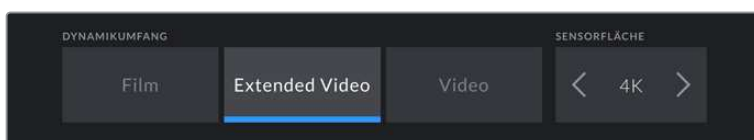
Pocket Cinema Camera 4K – Auflösungen. Für das 4K-DCI-Format heißt diese Kategorie „AUFLÖSUNG“, andernfalls „AUFLÖSUNG – SENSOR GECROPPT“.

AUFNAHME-Einstellungen Seite 2

Die zweite Seite der AUFNAHME-Einstellungen bietet folgende Optionen:



Optionen der Pocket Cinema Camera 6K für Dynamikumfang und Sensorfläche



Optionen der Pocket Cinema Camera 4K für Dynamikumfang und Sensorfläche

DYNAMIKUMFANG

Justieren Sie die Einstellungen für den Dynamikumfang, indem Sie auf die jeweilige Option unter DYNAMIKUMFANG tippen. Die Blackmagic Pocket Cinema Camera hat drei Einstellungen für den Dynamikumfang:

Film	Im „Film“-Modus wird Video unter Anwendung einer Log-Kurve aufgenommen. So können Sie den höchsten Dynamikumfang beibehalten und maximale Daten über Ihr Videosignal aufzeichnen, was Ihnen den optimalen Einsatz von Farbkorrektursoftware wie DaVinci Resolve ermöglicht.
Extended Video	Der Modus „Extended Video“ bietet ein ausgewogenes Verhältnis zwischen den Dynamikmodi „Video“ und „Film“. Er arbeitet mit einem breiteren Dynamikumfang als der „Video“-Modus und sorgt gleichzeitig für eine leichte Kontraständerung mit einem weichen Roll-Off in den Highlights. „Extended Video“ eignet sich für gängige Broadcastmonitore. Hilfreich ist dieser Modus darüber hinaus, wenn die Zeit für die Postproduktion knapp ist und Sie Ihre Clips bereits mit einem ansprechenden Look aufzeichnen wollen.
Video	Die Einstellung „Video“ ähnelt dem Rec.709-Farbstandard für Video in High Definition. Das erleichtert die Arbeit, da Sie direkt in einem komprimierten Videoformat und Farbraum aufzeichnen, die sich für die Direktausgabe eignen oder nur minimale Nachbearbeitung erfordern.

HINWEIS Im Dynamikumfang „Film“ in Blackmagic RAW oder ProRes aufgezeichnete Bilder sehen auf dem Touchscreen matt und entsättigt aus. Das liegt daran, dass die Bilddatei große noch ungedadete Datenmengen enthält, die für Standard-Displays ungeeignet sind. Bei der Aufzeichnung im Dynamikumfang „Film“ können Sie die Videoinhalte jedoch unter Anwendung einer Display-LUT auf dem Touchscreen und der HDMI-Ausgabe überwachen. Diese dient dazu, einen Standardkontrast zu simulieren. Näheres finden Sie im Abschnitt „LUTs“ in diesem Handbuch.

Sensorfläche

Die Blackmagic Pocket Cinema Camera kann so eingestellt werden, dass sie die gesamte Sensorfläche oder – für noch höhere Frameraten – bei gecropptem Sensor nur einen Bildausschnitt verwendet. In letzterem Fall wird der Bildausschnitt nicht von der Gesamtfläche des Sensors herunterskaliert, sondern es werden für das Bild ausschließlich die für das vorgegebene Videoformat benötigten Pixel verwendet. Einige Formate verwenden eine Kombination aus gecropptem und skaliertem Modus. Die Pocket Cinema Camera 6K kann in HD bspw. mit voller Sensorfläche, skaliert mit gecroppter 5,7K-Sensorfläche und skaliert mit gecroppter 2,7K-Sensorfläche arbeiten.

Da im Crop-Modus „Gecroppter Sensor“ nur die mittige Sensorfläche verwendet wird, ist das Sichtfeld mit jedem beliebigen Objektiv aufgrund des Formatfaktors enger. Wird bspw. HD-Material mit einem 20mm-Objektiv im Crop-Sensormodus gefilmt, so entspräche das Sichtfeld der Blackmagic Pocket Cinema Camera 4K dem eines 40mm-Objektivs.

Diese Einstellung ist für Aufnahmen mit Ihrer Kamera bei einer niedrigeren als der maximalen Auflösung verfügbar, bspw. für Ultra-HD- oder HD-Video in ProRes.

Bei der Pocket Cinema Camera 6K sind die schnellsten Frameraten verfügbar, wenn in 2,8K mit einem Crop-Verhältnis von 17:9 und in HD skaliert mit der gecroppten 2,7K-Sensorfläche gefilmt wird. Bei der Pocket Cinema Camera 4K ist die schnellste Framerate im HD-Crop-Modus verfügbar.

Näheres zu den vollen und gecroppten Formaten finden Sie im Abschnitt „Maximale Sensor-Frameraten“.

PROJEKT-FRAMERATE

Die Projekt-Framerate bietet eine Auswahl an Frameraten, die in der Film- und Fernsehbranche gebräuchlich sind. Beispiel: 23,98 Bilder pro Sekunde. Die Projekt-Framerate wird in der Regel passend zu der in Ihrem Postproduktions-Workflow verwendeten Wiedergabegeschwindigkeit, der Audio-Synchronisation und den Anforderungen für die Anlieferung eingestellt.

Es sind acht verschiedene Projekt-Frameraten verfügbar: 23,98; 24; 25; 29,97; 30; 50; 59,94 und 60 fps.

OFFSPEED-AUFZEICHNUNG

Standardmäßig sind die Projekt- und Sensor-Framerate auf eine natürliche Wiedergabegeschwindigkeit eingestellt. Wenn Sie jedoch auf das Schalter-Icon unter OFFSPEED-AUFZEICHNUNG tippen, können Sie Ihre Sensor-Framerate selbst wählen.

OFFSPEED-FRAMERATE

Wenn Offspeed-Aufzeichnung aktiviert ist, tippen Sie auf die Pfeile unter dem Indikator für OFFSPEED-FRAMERATE, um die Sensor-Framerate Ihrer Kamera einzustellen.

Anhand der Sensor-Framerate wird vorgegeben, wie viele Vollbilder der Sensor tatsächlich pro Sekunde aufzeichnet. Diese Framerate wirkt sich darauf aus, wie schnell oder langsam Ihr Video bei Ihrer vorgegebenen Projekt-Framerate wiedergegeben wird.

Weitere Informationen zu Offspeed-Frameraten finden Sie unter „FPS“ im Abschnitt „Funktionsmerkmale des Touchscreens“ in diesem Handbuch.

HINWEIS Näheres zu den maximalen Bildwechselraten, die für die einzelnen Aufzeichnungsformate und Codecs verfügbar sind, finden Sie unter „Maximale Sensor-Frameraten“.

FÜR AUFZEICHNUNG BEVORZUGTES MEDIUM

In dieser Einstellung können Sie wählen, welches Speichermedium Ihre Blackmagic Pocket Cinema Camera zuerst bespielen soll, wenn beide Schächte belegt sind. Die Optionen lauten „CFAST Card“, „SD Card“ und „Vollste Karte“. Ob Sie „CFAST Card“ oder „SD Card“ wählen, ist eine Frage Ihrer persönlichen Vorliebe. Wenn Sie sich jedoch konsequent für die eine oder andere Karte entscheiden, wissen Sie immer, welche Sie bei knapp werdendem Speicherplatz zuerst austauschen müssen. Die Option „Vollste Karte“ ist hilfreich zum chronologischen Gruppieren von Dateien eines mit nur einer Kamera gefilmten Projekts.

Die gewählte Einstellung wird angewandt, sobald eine CFAST- oder SD-Karte eingeschoben wird. Sie können diese Einstellung jederzeit überschreiben, indem Sie in den Storage Manager gehen und auf den Namen einer Karte tippen, um diese zu aktivieren. Wichtig: Sobald Sie eine Karte auswerfen und wieder einschieben, tritt die Einstellung für die bevorzugte Karte wieder in Kraft.

TIPP Die Einstellung „Vollste Karte“ richtet sich nach dem Füllstand Ihrer Speichermedien und nicht nach ihrer Kapazität oder der aufgewendeten Datenmenge.

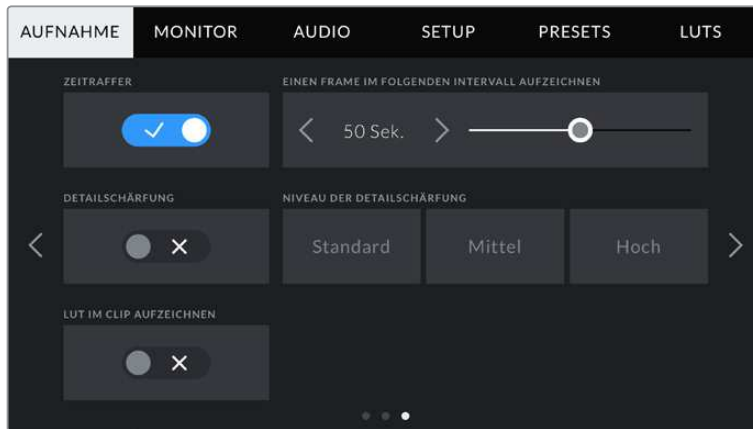
STOPP BEI AUSLASSEN VON FRAMES

Über diese Einstellung können Sie das Verhalten Ihrer Blackmagic Pocket Cinema Camera konfigurieren, wenn fallengelassene Frames erkannt werden. Ist diese Option deaktiviert, wird trotz fallengelassener Frames weiter aufgezeichnet. Ist sie aktiviert, stoppt Ihre Kamera die Aufzeichnung, wenn fallengelassene Frames erkannt werden. Dies verhindert, dass Sie kostbare Zeit mit dem Aufzeichnen unbrauchbaren Materials vergeuden, weil Sie den Indikator für ausgelassene Bilder nicht bemerkt haben.

TIPP Wie man vermeidet, dass Frames fallengelassen werden, wird im Abschnitt „Speichermedien“ erklärt.

AUFNAHME-Einstellungen Seite 3

Die dritte Seite der AUFNAHME-Einstellungen bietet folgende Optionen:



TIMELAPSE

Diese Einstellung aktiviert die Timelapse-Funktion, um automatisch Standbilder in folgenden Intervallen aufzunehmen:

Frames	2–10
Sekunden	1–10, 20, 30, 40, 50
Minuten	1–10

Sie können bspw. festlegen, dass die Kamera nach je 10 Vollbildern, alle 5 Sekunden, alle 30 Sekunden oder alle 5 Minuten ein Standbild aufnimmt.

Die Zeitraffer-Funktion bietet viele kreative Möglichkeiten. Beispiel: Wenn ein Timelapse-Intervall von zwei Frames eingestellt ist, ergibt dies bei der Wiedergabe des aufgezeichneten Videos einen stroboskopischen Effekt.

Beginnen Sie mit der Aufzeichnung, indem Sie die Aufnahmetaste drücken. Durch erneutes Drücken der Taste wird die Aufzeichnung gestoppt und die Zeitraffer-Sequenz als einzelner Clip entsprechend des auf Ihrer Kamera eingestellten Codecs und der Framerate gespeichert. Sie können die Zeitraffer-Sequenz somit genau wie jeden anderen aufgenommenen Clip in Ihrer Postproduktions-Timeline ablegen.



Das in den Aufnahme-Button eingeblendete Icon zeigt den Zeitraffermodus an

TIPP Wenn Sie bei aktiviertem Timelapse-Modus filmen, aktualisiert sich der Timecode-Zähler mit jedem aufgenommenen Videoframe.

DETAILSCHÄRFUNG

Diese Einstellung dient zur Schärfung des Bildes. Bei aktivierter Detailschärfung können Sie den Schärfungsgrad erhöhen oder verringern, indem Sie „Niedrig“, „Mittel“ oder „Hoch“ wählen.

Wenn die Schärfung aktiviert ist, wird diese auf das von der Kamera aufgezeichnete ProRes-Video und auf die HDMI-Ausgabe angewendet.

Diese Einstellung eignet sich für Live-Studioproduktionen, die live übertragen werden und keine Zeit für die Postproduktion lassen. Sollen Ihre Bilder nach der Aufzeichnung weiter bearbeitet werden, empfehlen wir, diese Einstellung auszuschalten. Wenn der Codec auf Blackmagic RAW eingestellt ist, ist die Detailschärfung deaktiviert.

LUT IM CLIP AUFZEICHNEN

Standardmäßig werden LUTs von Ihrer Blackmagic Pocket Cinema Camera weder auf aufgenommene Footage angewendet noch eingebrannt. Sie können diese Vorgänge jedoch aktivieren, indem Sie auf das Schalter-Icon unter LUT IM CLIP AUFZEICHNEN tippen.

Diese Option kann nützlich sein, wenn Sie in der Postproduktion keine Zeit für das Grading Ihrer Footage haben oder die Footage direkt an den Kunden oder Editor übergeben werden muss. Weitere Informationen hierzu finden Sie in den Abschnitten „3D-LUTs“ und „Bedienung per Touchscreen“.

LUT IN DATEI ANWENDEN

Wenn Sie mit dem Blackmagic-RAW-Codec filmen und eine LUT auf die HDMI-Ausgabe Ihrer Kamera anwenden, wird die ausgewählte LUT beim Aufzeichnen in die Blackmagic-RAW-Datei eingebettet. Die LUT wird in den Kopfdaten der Datei gespeichert und lässt sich in der Postproduktion mühelos auf den Clip anwenden. Man muss also keine separate Datei handhaben. Steht der Schalter LUT IN DATEI ANWENDEN im AUFNAHME-Menü auf EIN, wird dieser Clip beim Öffnen im Blackmagic-RAW-Player und in DaVinci Resolve mit der angewendeten LUT dargestellt. Die LUT lässt sich leicht ein- und ausschalten. Sie ist aber immer in der Blackmagic-RAW-Datei enthalten, da die entsprechenden Daten im Clip selbst gespeichert sind.

In DaVinci Resolve bietet das Menü mit den RAW-Einstellungen einen „Apply LUT“-Schalter, mit dem sich die 3D-LUT in der Blackmagic-RAW-Datei de- bzw. aktivieren lässt. Die „Apply LUT“-Einstellung in DaVinci Resolve gleicht der Einstellung in der Kamera. Dies ermöglicht Ihnen schon beim Dreh, den Coloristen anhand der in der Kamera eingestellten LUT eine Orientierungshilfe zu geben. Diese LUT kann in DaVinci Resolve aber einfach deaktiviert werden, indem man „Apply LUT“ auf OFF setzt.

Dateinamenskventionen

Je nach Ihrem ausgewählten Format werden Clips im Blackmagic-RAW- oder ProRes-QuickTime-Movie-Format auf Ihre CFast- bzw. SD-Karte oder Ihr USB-C-Laufwerk aufgezeichnet.

Die nachstehende Tabelle zeigt ein Beispiel der Namenskonvention:

A001_08151512_C001.mov	QuickTime-Movie-Dateiname
A001_08151512_C001.mov	Kamera-Index
A 001 _08151512_C001.mov	Bandnummer
A001_ 08 151512_C001.mov	Monat
A001_08 15 1512_C001.mov	Tag
A001_0815 15 12_C001.mov	Stunde
A001_081515 12 _C001.mov	Minute
A001_08151512_ C001 .mov	Clip-Nummer

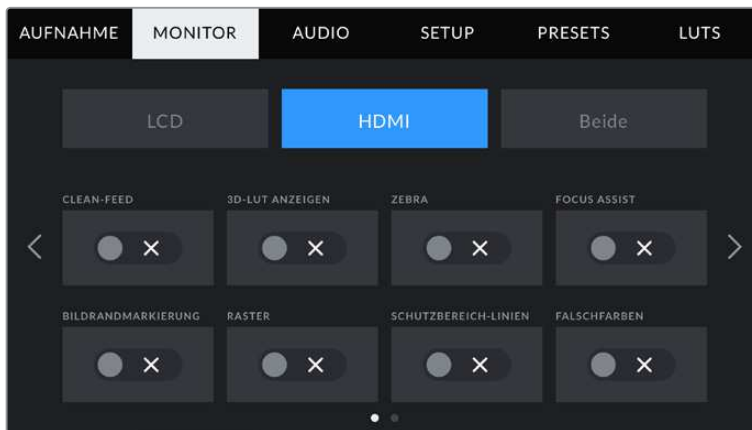
Die Benennung von Bildern, die mit der Still-Taste erfasst wurden, erfolgt gemäß der für Videoclips üblichen Namenskonvention. Die letzten vier Zeichen des Dateinamens (z. B. „S001“) geben statt der Clip-Nummer die Nummer des Standbilds an. Wie Sie den Kamera-Index ändern, wird im Abschnitt „Projektmetadaten“ näher erklärt.

MONITOR-Einstellungen

Über die MONITOR-Registerkarte können Sie Statustext, Overlays und andere Monitoring-Optionen für den LCD-Touchscreen sowie den HDMI-Ausgang Ihrer Blackmagic Pocket Cinema Camera anpassen. Die Optionen sind nach Ausgabe in „LCD“, „HDMI“ und „Beide“ unterteilt. Letzteres umfasst Monitoreinstellungen, die sich sowohl auf die LCD- als auch die HDMI-Ausgabe auswirken. Die Menüs bestehen jeweils aus zwei Seiten, zu denen Sie jeweils über die Pfeilsymbole am Rand der Kamera oder durch Wischen nach links oder rechts gelangen.

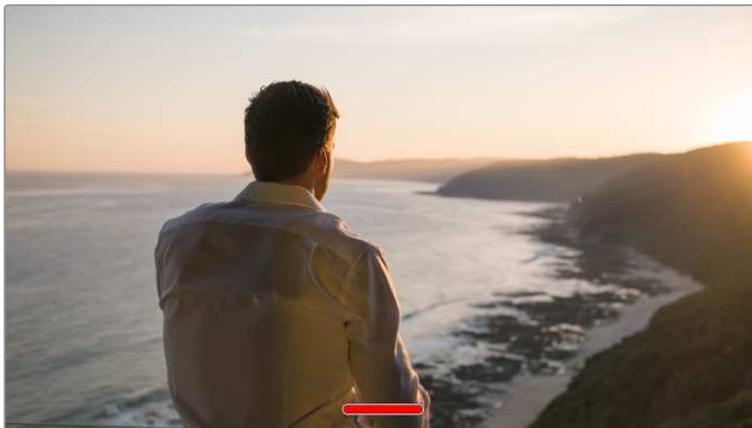
MONITOR-Einstellungen Seite 1

Die erste Seite der MONITOR-Registerkarte bietet identische Einstellungen für jede Ausgabe. Beispiel: Sie können Zebra für den LCD-Touchscreen aktivieren, aber für die HDMI-Ausgabe ausschalten.



CLEAN-FEED

Tippen Sie auf das Schalter-Icon unter CLEAN-FEED im „LCD“- oder „HDMI“-Menü, um den gesamten Statustext und alle Overlays für die jeweilige Ausgabe außer des Aufnahme-Tally-Indikators zu deaktivieren.



Selbst im Clean-Feed-Modus zeigt Ihre Kamera einen Aufnahme-Tally an

HINWEIS LUTs werden auch bei aktiviertem Clean-Feed auf die Ausgaben angewendet. LUTs lassen sich deaktivieren, indem Sie im MONITOR-Menü die Option 3D-LUT ANZEIGEN deaktivieren.

3D-LUT ANZEIGEN

Ihre Blackmagic Pocket Cinema Camera kann 3D-LUTs auf jede beliebige Ausgabe anwenden, um den Look von gegradetem Material anzupassen. Diese Option ist vor allem bei der Aufzeichnung im Dynamikumfang „Film“ hilfreich.

Ist auf Ihrer Kamera eine 3D-LUT aktiviert, verwenden Sie diese Einstellung, um die LUT auf Ihren LCD-Touchscreen oder die HDMI-Ausgabe anzuwenden.

Näheres zum Laden und zur Anwendung von 3D-LUTs finden Sie im Abschnitt „3D-LUTs“ in diesem Handbuch.

Um Monitoring-Optionen für den LCD-Touchscreen und die HDMI-Ausgabe zu aktivieren, tippen Sie auf die entsprechenden Schalter unter „LCD“ oder „HDMI“: FOCUS ASSIST, BILDRANDMARKIERUNG, RASTER, SCHUTZBEREICHLINIEN und FALSCHFARBEN.

ZEBRA

Tippen Sie auf das Schalter-Icon unter ZEBRA im „LCD“- oder „HDMI“-Menü, um die Zebra-Funktion für diese Ausgaben zu aktivieren. Weitere Informationen zur Zebra-Funktion und wie Sie deren Grad einstellen, finden Sie im Abschnitt „Funktionsmerkmale des Touchscreens“ in diesem Handbuch.

FOCUS ASSIST

Tippen Sie auf das Schalter-Icon unter FOCUS ASSIST im „LCD“- oder „HDMI“-Menü, um die Fokussierhilfe für diese Ausgaben zu aktivieren. Weitere Informationen zur Fokussierhilfe finden Sie im Abschnitt „Funktionsmerkmale des Touchscreens“ in diesem Handbuch.

BILDRANDMARKIERUNG

Tippen Sie auf das Schalter-Icon unter BILDRANDMARKIERUNG im „LCD“- oder „HDMI“-Menü, um die Bildrandmarkierungs-Funktion für diese Ausgaben zu aktivieren. Weitere Informationen zu Bildrandmarkierungen und wie Sie diese auswählen, finden Sie im Abschnitt „Funktionsmerkmale des Touchscreens“ in diesem Handbuch.

RASTER

Tippen Sie auf das Schalter-Icon unter RASTER im „LCD“- oder „HDMI“-Menü, um die Raster-Funktion für diese Ausgaben zu aktivieren. Weitere Informationen zum Raster entsprechend der Drittel-Regel finden Sie im Abschnitt „Funktionsmerkmale des Touchscreens“ in diesem Handbuch.

SCHUTZBEREICH-LINIEN

Tippen Sie auf das Schalter-Icon unter SCHUTZBEREICH-LINIEN im „LCD“- oder „HDMI“-Menü, um das Schutzbereich-Overlay für diese Ausgaben zu aktivieren. Weitere Informationen zu Schutzbereichen finden Sie im Abschnitt „Funktionsmerkmale des Touchscreens“ in diesem Handbuch.

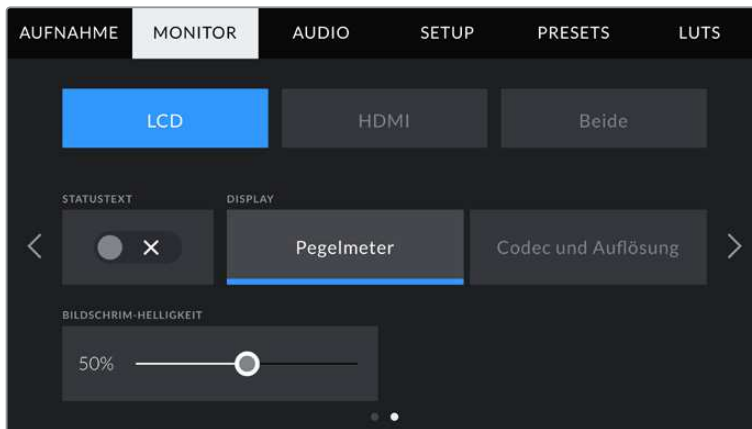
HINWEIS Bestimmen Sie die Größe des sendesicheren Bereichs über die Einstellung SCHUTZBEREICH-LINIEN % unter „Beide“ in den MONITOR-Einstellungen Ihrer Blackmagic Pocket Cinema Camera.

FALSCHFARBEN

Tippen Sie auf das Schalter-Icon unter FALSCHFARBEN im „LCD“- oder „HDMI“-Menü, um die Belichtungshilfe durch die Falschfarbendarstellung für diese Ausgaben zu aktivieren. Weitere Informationen zur Verwendung der Falschfarben-Funktion finden Sie im Abschnitt „Funktionsmerkmale des Touchscreens“ in diesem Handbuch.

MONITOR-Einstellungen „LCD“ Seite 2

Die Einstellungen auf der zweiten Seite der MONITOR-Registerkarte beziehen sich ausschließlich auf den LCD-Touchscreen.



STATUSTEXT gibt Ihnen ein klares Vorschaubild Ihrer Blackmagic Pocket Cinema Camera

STATUSTEXT

Mit dieser Einstellung können Sie den Statustext und die Pegelmeter auf Ihrem LCD-Touchscreen ausblenden. Dann werden lediglich die für die Komposition oder Regie einer Einstellung nötigen Informationen angezeigt. Um die Anzeige von Statustext und Pegelmetern auf dem LCD-Touchscreen zu ändern, tippen Sie auf das Schalter-Icon für STATUSTEXT. Falls aktiviert, bleiben Overlays wie Bildrandmarkierungen, Raster, Focus Assist und Zebra sichtbar. Alternativ wechseln Sie die Anzeigen, indem Sie auf dem LCD-Touchscreen nach oben oder unten wischen.

DISPLAY

Anstelle des Histogramms und den Audiopegelmetern zeigt Ihre Kamera in der linken und rechten unteren Ecke des LCD-Touchscreens wahlweise Codec- und Auflösungsinformationen an. Dies ist nützlich, wenn Sie lieber die Falschfarben-Darstellung als Belichtungshilfe verwenden oder Ton separat aufzeichnen möchten. Oder lassen Sie sich an der Stelle, wo normalerweise das Histogramm oder die Audiopegelmeter erscheinen, zusätzliche Informationen anzeigen.

Tippen Sie im LCD-Menü einfach auf „Pegelmeter“ oder „Codec und Auflösung“, um die bevorzugte Ansicht auszuwählen.



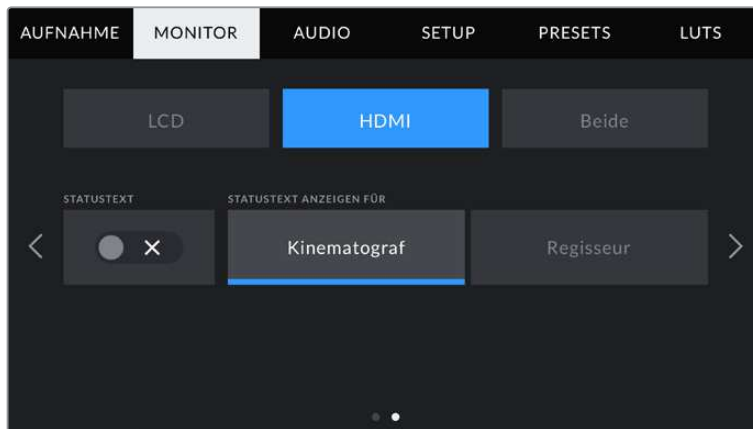
Ihre Blackmagic Pocket Cinema Camera kann anstelle von Histogramm und Audiopegelmetern Codec- und Auflösungsinformationen anzeigen

BILDSCHIRM-HELLIGKEIT

Ziehen Sie den Schieberegler unter BILDSCHIRM-HELLIGKEIT im LCD-Menü nach links oder rechts, um die Helligkeit Ihres LCD-Touchscreens anzupassen.

MONITOR-Einstellungen „HDMI“ Seite 2

Die Einstellungen auf der zweiten Seite des HDMI-Tabs beziehen sich ausschließlich auf den HDMI-Ausgang.



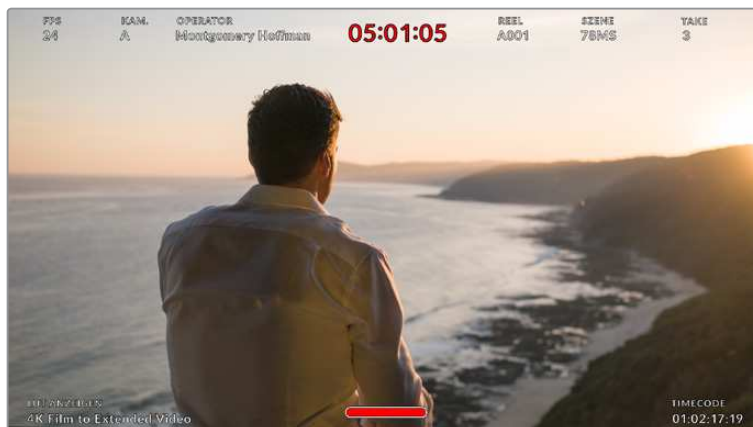
STATUSTEXT

Diese Einstellung kann nützlich sein, um den Statustext und die Pegelmesser auf Ihrer HDMI-Ausgabe zu verbergen und lediglich die für die Komposition oder Regie einer Aufnahme nötigen Informationen anzuzeigen. Tippen Sie im HDMI-Menü auf das Schalter-Icon für STATUSTEXT, um die Darstellung des Statustexts und der Pegelmeter einzustellen. Falls aktiviert, bleiben Overlays wie Bildrandmarkierungen, Raster, Focus Assist und Zebra sichtbar.

Um den Statustext und die Pegelmeter auf dem Touchscreen zu verbergen oder einzublenden, wischen Sie einfach nach oben oder unten.

STATUSTEXT ANZEIGEN FÜR Kinematograf/Regisseur

Auf dem LCD-Touchscreen werden Informationen wie ISO, Weißabgleich und Blendeneinstellungen angezeigt. Das ist sehr hilfreich für den Kameraoperator oder Kinematografen, der die Kamera für individuelle Shots einstellt. Über den HDMI-Ausgang Ihrer Kamera können jedoch zusätzlich Informationen angezeigt werden, die dem Regisseur oder Script Supervisor dienen, der mehrere Shots bzw. Kameras im Auge behalten muss.



Ihre Blackmagic Pocket Cinema Camera kann in der HDMI-Ausgabe Statustext für den Regisseur anzeigen

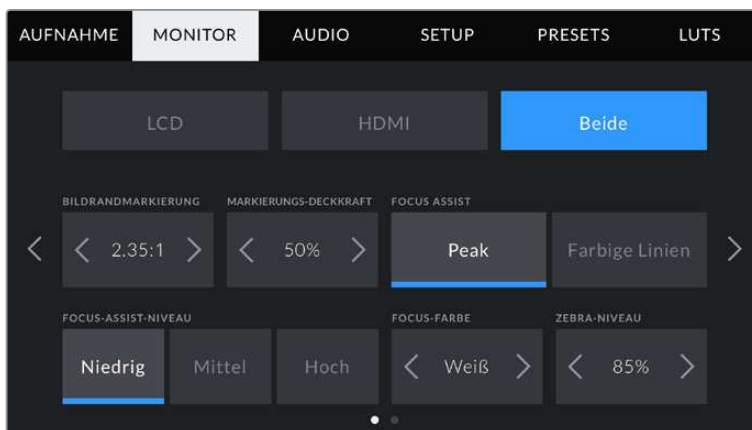
Wenn Sie in den Monitoreinstellungen für HDMI unter STATUSTEXT die Option „Regisseur“ wählen, werden die folgenden Informationen angezeigt:

- **FPS**
Zeigt die aktuell ausgewählte Framerate in Bildern pro Sekunde an. Ist OFFSPEED-FRAMERATE deaktiviert, wird nur die Projekt-Framerate angezeigt. Wird von einer Offspeed-Framerate Gebrauch gemacht, erscheint die Sensor-Framerate gefolgt von der Projekt-Framerate.
- **KAM.**
Zeigt den Kamera-Index gemäß der Slate-Einstellungen Ihrer Kamera an. Weitere Informationen hierzu finden Sie im Abschnitt „Die Slate“.
- **OPERATOR**
Identifiziert den Kamerabediener gemäß der Slate-Einstellungen Ihrer Kamera. Weitere Informationen hierzu finden Sie im Abschnitt „Die Slate“.
- **DAUERANZEIGE**
Zeigt die Dauer des aktuellen Clips während der Aufzeichnung oder des vorherigen Clips im Format Stunden:Minuten:Sekunden an.
- **REEL, SZENE, TAKE**
Zeigt das aktuelle Band, die Szene und den Take an. Weitere Informationen zu Bändern, Szenen und Takes sowie deren Kennzeichnungskonventionen finden Sie im Abschnitt „Die Slate“ in diesem Handbuch.
- **DYNAMIKUMFANG**
Links unten auf dem Touchscreen wird – sofern für die jeweilige Ausgabe aktiviert – die derzeit angewendete LUT angezeigt. Wird keine LUT angewendet, erscheint der Dynamikumfang „Film“ bzw. „Video“.
- **TIMECODE**
Rechts unten auf dem Touchscreen erscheint der Kamera-Timecode im Format Stunden:Minuten:Sekunden:Frames.

MONITOR-Einstellungen „Beide“ Seite 1

Die Monitoreinstellungen, die sowohl die LCD- als auch die HDMI-Ausgabe betreffen, sind unter dem Tab „Beide“ zusammengefasst. Setzen Sie die Option „SCHUTZBEREICH-LINIEN %“ in diesem Menü bspw. für die LCD- und HDMI-Ausgabe auf 90 %, dann wird diese Einstellung auf beide Ausgaben angewendet.

Die Monitoring-einstellungen für „Beide“ gehen über zwei Seiten und bieten folgende Einstellungen:



BILDRAND-MARKIERUNGEN

Tippen Sie unter BILDRAND-MARKIERUNGEN auf die Pfeile, um durch alle Ausgabeoptionen Ihrer Kamera zu navigieren. Die Optionen werden im Abschnitt „Funktionsmerkmale des Touchscreens“ in diesem Handbuch näher erläutert und sind zudem über das LCD-Monitoringmenü auf Ihrem LCD-Touchscreen abrufbar. Hier sei erwähnt, dass Bildrandmarkierungen für den LCD-Touchscreen und die HDMI-Ausgabe auch separat über den jeweiligen Tab im MONITOR-Menü ausgewählt werden können.

MARKIERUNGS-DECKKRAFT

Tippen Sie auf die Pfeile unter MARKIERUNGS-DECKKRAFT, um die Deckkraft der Bildrandmarkierungen für Ihren LCD-Touchscreen und die HDMI-Ausgabe festzulegen. Es gibt folgende Optionen: 25 %, 50 %, 75 % und 100 %.

FOCUS ASSIST

Ihre Kamera verfügt über die zwei Focus-Assist-Modi „Peak“ und „Farbige Linien“.

Peak	Ist der „Peak“-Modus für Focus Assist ausgewählt, werden die fokussierten Bereiche in Ihrer Einstellung auf dem LCD-Touchscreen oder über den HDMI-Ausgang extrem scharf dargestellt, jedoch nicht im aufgezeichneten Bild selbst. Auf diese Weise heben sich fokussierte Bereiche in Ihrer Einstellung vom unschärferen Hintergrund ab. Da keine weiteren Overlays verwendet werden, ist dies eine sehr intuitive Art des Fokussierens. Besonders dann, wenn sich das zu fokussierende Objekt deutlich von den anderen Elementen in der Einstellung abhebt.
Farbige Linien	Ist die Option „Farbige Linien“ ausgewählt, werden die fokussierten Bereiche im Bild mit farbigen Linien überlagert. Dies ist etwas auffälliger als die „Peak“-Option, da die Linien genau auf dem Bild erscheinen. In Einstellungen mit vielen sichtbaren Elementen ist es jedoch eine präzise Fokussierhilfe.

FOCUS-ASSIST-NIVEAU

Den Grad der Fokussierhilfe für den LCD-Touchscreen und den HDMI-Ausgang können Sie auf „Niedrig“, „Mittel“ oder „Hoch“ einstellen.

HINWEIS Das Einstellen der Stärke der Fokussierhilfe erfolgt unabhängig davon, ob Focus Assist für den LCD-Touchscreen oder für den HDMI-Ausgang Ihrer Blackmagic Pocket Cinema Camera aktiviert ist. Schalten Sie die Fokussierhilfe deshalb einzeln im jeweiligen MONITOR-Menü für die LCD- und die HDMI-Ausgabe ein.

TIPP Der optimale Grad der Fokussierhilfe variiert von Einstellung zu Einstellung. Wird bspw. auf Darsteller scharf gestellt, empfiehlt sich eine stärkere Fokussierhilfe, um mehr Einzelheiten an den Konturen der Gesichter festzuhalten. Bei einer Einstellung von Blatt- oder Mauerwerk würden die dabei zusätzlich erfassten Details womöglich ablenkend wirken.

FOCUS-FARBE

Wenn Sie unter FOCUS ASSIST die Option „Farbige Linien“ aktiviert haben, ändert sie hier die Farbe der Fokuslinien. Eine Farbänderung der Fokuslinien kann nützlich sein, um die Linien vom übrigen Bild zu unterscheiden. Die verfügbaren Optionen sind „Weiß“, „Rot“, „Grün“, „Blau“ und „Schwarz“.

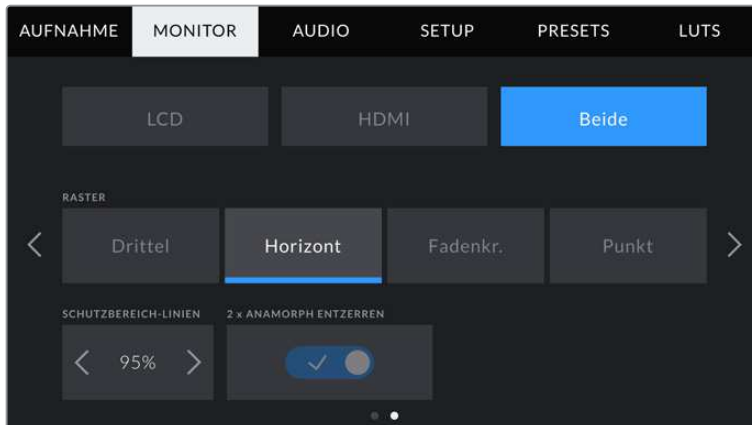
ZEBRA-NIVEAU

Tippen Sie auf die Pfeile, um die Intensität von Zebra einzustellen. Die Intensität kann in 5%-Schritten auf 75–100 % eingestellt werden.

Weitere Informationen zur Zebra-Funktion finden Sie im Abschnitt „Funktionsmerkmale des Touchscreens“ in diesem Handbuch.

MONITOR-Einstellungen „Beide“ Seite 2

Die zweite Seite der MONITOR-Einstellungen bietet unter „Beide“ folgende Optionen:



Seite 2 der Bildschirmoptionen für LCD und HDMI

RASTER

Um einzustellen, welche Kombination aus Rastern und Fadenkreuz Sie auf dem LCD-Touchscreen Ihrer Kamera sowie in der HDMI-Ausgabe anzeigen wollen, tippen Sie auf die Optionen „Drittel“, „Horizont“, „Fadenkreuz“ oder „Punkt“.

Weitere Informationen finden Sie unter „Raster“ im Abschnitt „Funktionsmerkmale des Touchscreens“.

SCHUTZBEREICH-LINIEN %

Passen Sie die Größe des Schutzbereich-Overlays auf dem LCD-Touchscreen und der HDMI-Ausgabe an, indem Sie auf die Pfeile neben der Prozentangabe tippen. Die Prozentzahl drückt die Größe des Schutzbereichs im Verhältnis zum Gesamtbild aus. Die meisten Fernsehsender verlangen einen sendesicheren Bereich von 90 %.

ANAMORPH ENTZERREN

Die Pocket Cinema Camera kann die Touchscreen- und HDMI-Ausgaben anamorph entzerren. Für 16:9- und 17:9-Formate können Sie „1,33 x ANAMORPH ENTZERREN“ aktivieren. Wenn Sie auf der Pocket Cinema Camera 6K im Format „3,7K anamorph“ oder auf der Pocket Cinema Camera 4K in „2,8K anamorph“ aufnehmen, wendet die Kamera automatisch den Vorgang „2 x ANAMORPH ENTZERREN“ an.

AUDIO-Einstellungen

Auf der AUDIO-Registerkarte lassen sich die Audioeingabe und Monitoringeneinstellungen Ihrer Kamera anpassen.

Die Audioeinstellungen Ihrer Kamera umfassen zwei Seiten, aufgeteilt in KANAL 1 und KANAL 2.

Jeder Audiokanal kann einer anderen Quelle zugewiesen werden. Ebenso lassen sich diverse Einstellungen wie „Gain“ anpassen.

AUDIO-Einstellungen Seite 1

Die erste Seite der AUDIO-Registerkarte bietet folgende Optionen:



Kanalquelle

Mit den Schaltflächen QUELLE KANAL 1 und QUELLE KANAL 2 wählen Sie Ihre Audioquelle für die einzelnen Audiokanäle aus. Nachstehend werden die einzelnen Quell-Einstellungen der Kanäle beschrieben.

- **Kamera – links / Kamera – rechts**
Nimmt mit den internen Kameramikrofonen auf.
- **Kamera – Mono**
Erstellt einen einzelnen Audiokanal aus dem linken und rechten Kanal des internen Mikrofons Ihrer Blackmagic Pocket Cinema Camera.
- **XLR – Line**
Verwendet den XLR-Eingang Ihrer Kamera, um Leitungspegel-Audio („Line“) aufzuzeichnen.
- **XLR – Mic**
Erfasst Mikrofonpegel-Audio über den XLR-Eingang Ihrer Kamera. Ist Phantomspeisung aktiviert und Ihr XLR-Eingang auf „Mic“ eingestellt, wird hier zusätzlich der +48V-Indikator eingeblendet. Stellen Sie sicher, dass der +48V-Schalter deaktiviert ist, wenn Sie Ihr phantomgespeistes Mikrofon entfernen.
- **3,5 mm links – Line**
Verwendet nur den linken Kanal des 3,5mm-Eingangs für Mikrofonpegel-Audio.
- **3,5 mm rechts – Line**
Verwendet nur den rechten Kanal des 3,5mm-Eingangs für Mikrofonpegel-Audio.
- **3,5 mm Mono – Line**
Erstellt über den 3,5mm-Eingang einen Mono-Mix aus dem linken und rechten Kanal für Mikrofonpegel-Audio.
- **3,5 mm links – Mic**
Verwendet nur den linken Kanal des 3,5mm-Eingangs für Mikrofonpegel-Audio.
- **3,5 mm rechts – Mic**
Verwendet nur den rechten Kanal des 3,5mm-Eingangs für Mikrofonpegel-Audio.
- **3,5 mm Mono – Mic**
Erstellt über den 3,5mm-Eingang einen Mono-Mix aus dem linken und rechten Kanal für Mikrofonpegel-Audio.
- **Keine**
Deaktiviert Ihren Audiokanal.

HINWEIS Bei Verwendung des 3,5mm-Eingangs als Audioquelle müssen sowohl Kanal 1 als auch Kanal 2 entweder auf Leitungs- oder Mikrofonpegel eingestellt sein. Wenn Sie „3,5 mm links – Line“ als Quelle für Kanal 1 auswählen, können Sie für Kanal 2 ebenfalls nur Leitungspegel-Audio benutzen: „3,5 mm links – Line“, „3,5 mm rechts – Line“ und „3,5 mm Mono – Line“. Die Mikrofonpegeloptionen sind in diesem Fall ausgegraut.

Pegel Kanal 1/2

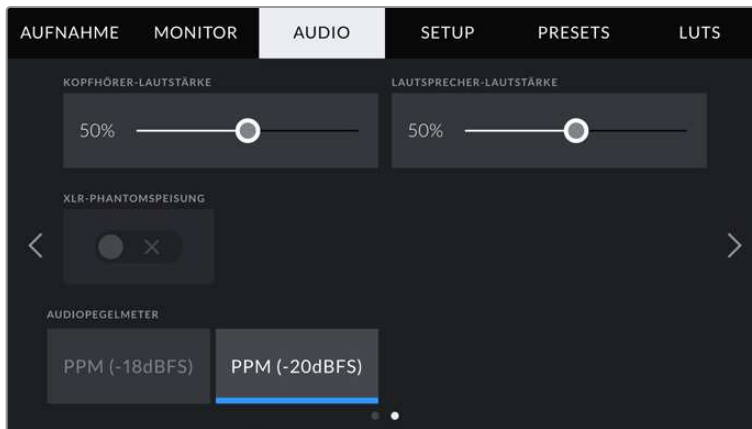
Die Pegelmeter helfen Ihnen bei der Aussteuerung des Audiopegels.

Gain Kanal 1/2

Mit diesen Schiebereglern steuern Sie die Aufzeichnungspegel für Ihre ausgewählten Kanalquellen 1 und 2 aus.

AUDIO-Einstellungen Seite 2

Die zweite Seite der AUDIO-Registerkarte bietet folgende Optionen:



KOPFHÖRER-LAUTSTÄRKE

Mit dem Schieberegler passen Sie die Ausgabepegel für Kopfhörer an, die an die 3,5mm-Buchse angeschlossen sind. Bewegen Sie den Audio-Schieberegler zum Justieren der Pegel nach links oder rechts.

LAUTSPRECHER-LAUTSTÄRKE

Dieser Schieberegler passt die Ausgabepegel der eingebauten Lautsprecher an. Bewegen Sie den Audio-Schieberegler zum Justieren der Pegel nach links oder rechts.

XLR-PHANTOMSPEISUNG

Über die XLR-Eingänge Ihrer Kamera können externe Mikrofone ohne Eigenversorgung mit 48V-Phantomstrom gespeist werden. Ist Ihre Kamera auf den XLR-Audioeingang eingestellt, tippen Sie einfach auf das Schalter-Icon unter PHANTOMSPEISUNG, um diese zu aktivieren.

AUDIOPEGELMETER

Wählen Sie einen Audiopegelstandard für die Peakmeter aus.

AudiopegelEinstellung	Standard
PPM (-20 dBFS)	SMPTE RP.0155
PPM (-18 dBFS)	EBU R.68

HINWEIS Es ist üblich, zuerst das XLR-Kabel anzuschließen und danach die Phantomspeisung einzuschalten. Schalten Sie die Phantomspeisung unbedingt auch aus, wenn kein phantomgespeistes Mikrofon mehr angeschlossen ist. Werden bei aktiver Phantomspeisung Geräte angeschlossen, die keine Phantomspeisung benötigen, beschädigt dies möglicherweise Ihr Equipment, da die Kamera in diesem Modus Strom ausgibt. Es kann zudem nach Ausschalten der Kamera eine beträchtliche Zeit für die Entladung von Phantomspannung vergehen.

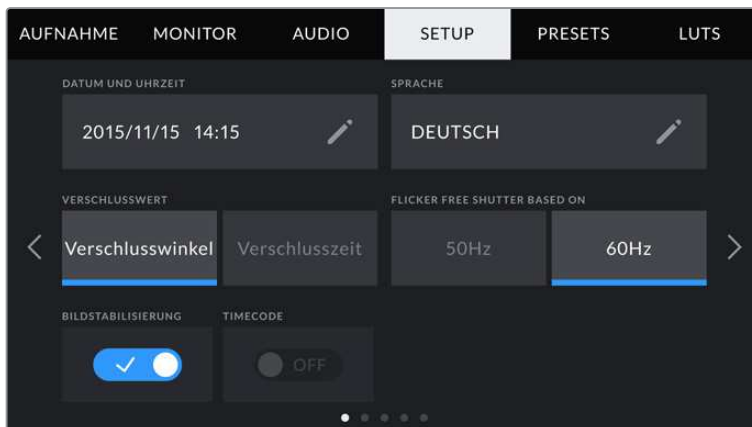
Denken Sie daran, nach Ausschalten der Phantomspeisung einige Minuten abzuwarten, bevor Sie andere Mikrofone oder XLR-Audiogeräte anschließen.

SETUP-Einstellungen

Auf der SETUP-Registerkarte finden Sie Identifikationseinstellungen, die Softwareversion, Einstellungsmöglichkeiten für die Funktionstasten und andere Kameraeinstellungen Ihrer Blackmagic Pocket Cinema Camera. Letztere stehen nicht in direktem Zusammenhang mit Aufzeichnung und Monitoring. Das Menü unter dieser Registerkarte umfasst vier Seiten, zu denen Sie jeweils über die Pfeilsymbole am Rand des LCD-Touchscreens oder durch Wischen nach links oder rechts gelangen.

SETUP-Einstellungen Seite 1

Die erste Seite der SETUP-Registerkarte Ihrer Kamera bietet folgende Einstellungen:

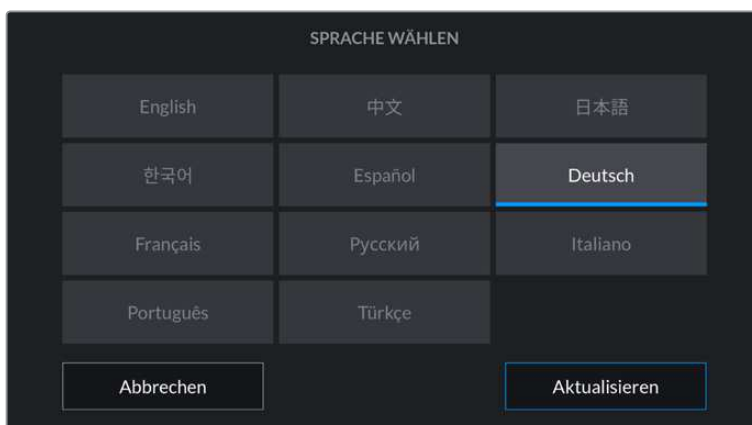


DATUM UND UHRZEIT

Tippen Sie auf DATUM UND UHRZEIT, um diese Daten auf Ihrer Kamera einzustellen. Das Datumsformat wird in Jahr/Monat/Tag angezeigt, die Uhrzeit im 24-Stunden-Format. Wenn keine externe Timecode-Quelle angeschlossen ist, werden diese Einstellungen auch für den Uhrzeit-Timecode verwendet.

SPRACHE

Die Pocket Cinema Camera unterstützt elf verbreitete Sprachen: Englisch, Deutsch, Französisch, Italienisch, Spanisch, Portugiesisch, Russisch, Türkisch, Chinesisch, Japanisch und Koreanisch.



Die Registerkarte SPRACHE wird Ihnen beim ersten Hochfahren angezeigt.

So wählen Sie Ihre Sprache:

- 1 Tippen Sie zuerst auf SPRACHE und dann auf die gewünschte Sprache.
- 2 Tippen Sie auf „Aktualisieren“, um zur Registerkarte SETUP zurückzukehren.

VERSCHLUSSWERT

Verwenden Sie diese Einstellung, um auszuwählen, ob Verschlusswerte als Verschlusswinkel oder Verschlusszeit angezeigt werden sollen.

Hier ist erwähnt, dass sich der Verschluss unter Einsatz der Verschlusswinkel-Einstellung nach der Framerate richtet. Beispiel: Eine Einstellung von 180 Grad erzeugt immer dieselbe Bewegungsunschärfe, unabhängig von Ihrer verwendeten Framerate.

Bei Verwendung der Verschlusszeit-Einstellung, wird dem Verschluss ein absoluter Wert zugewiesen, unabhängig von der Framerate. Somit ändert sich das Ergebnis, wenn Sie die Framerate ändern.

Wenn Sie bspw. mit 24 fps filmen, erzeugt eine Verschlusszeit von 1/48 Sekunde als Entsprechung zu einem Verschlusswinkel von 180 Grad eine für das Auge angenehme Bewegungsunschärfe. Sobald Sie die Framerate auf 48 fps setzen, erzeugt die Verschlusszeit-Einstellung von 1/48 Sekunde nicht länger dieselbe Bewegungsunschärfe, sondern die Entsprechung zu einem Verschlusswinkel von 360 Grad. Sobald also die Framerate auf 48 fps gesetzt ist, muss die Verschlusszeit auf 1/96 Sekunde gesetzt werden, um den gleichen Effekt zu erzielen wie bei einem Verschlusswinkel von 180 Grad.

FLICKERFREIER VERSCHLUSS BEI

Hier können Sie die von Ihrer Kamera verwendete Netzfrequenz einstellen. Auf der Basis dieser Hz-Werte berechnet die Kamera flimmerfreie Verschlusseinstellungen.

Beim Drehen in Kunstlicht macht der gewählte Verschlusswert auftretendes Flimmern ggf. stärker sichtbar. Ihre Blackmagic Pocket Cinema Camera berechnet flimmerfreie Verschlusswerte automatisch anhand der aktuellen Framerate und schlägt Ihnen bis zu drei Verschlusswerte vor. Verschlusswerte hängen von der lokalen Netzfrequenz ab, mit der die Lampen betrieben werden. In den meisten PAL-Ländern liegt die Frequenz bei 50 Hz, in NTSC-Ländern in der Regel bei 60 Hz. Tippen Sie entsprechend Ihrer Region auf „50 Hz“ oder „60 Hz“.

HINWEIS Aufgrund der Eigenschaften verschiedener Lichtquellen kann es selbst mit „flimmerfreien“ Verschlusswerten zu Flimmern kommen. Wir empfehlen Ihnen daher, bei unregelmäßigem Licht einen Probedreh vorzunehmen.

BILDSTABILISIERUNG

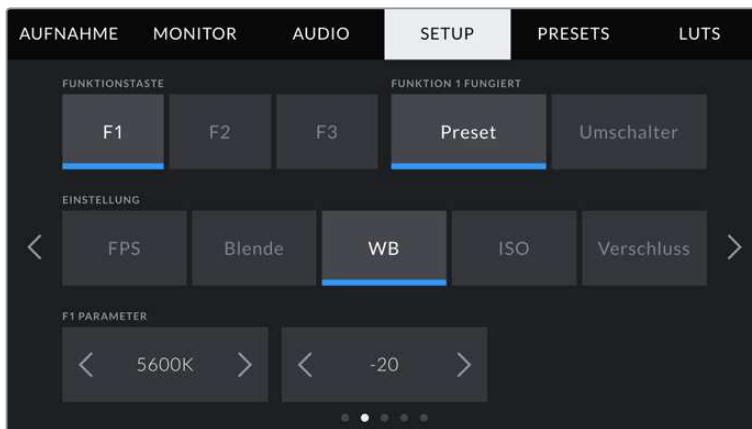
Mit der Option BILDSTABILISIERUNG aktivieren oder deaktivieren Sie die Bildstabilisierung von Objektiven ohne physischen Schalter.

TIMEC. AUSGELASSENES BILD

Aktivieren Sie TIMEC. AUSGELASSENES BILD, um bei NTSC-Projekt-Frameraten von 29,97 und 59,94 Drop-Frame-Timecode zu verwenden. Drop-Frame-Timecode überspringt in regelmäßigen Abständen eine geringe Anzahl an Einzelbildern vom Timecode. So haben Sie immer den richtigen Timecode, auch wenn bei NTSC-Frameraten nicht jede Sekunde die Gesamtzahl von Einzelbildern enthält.

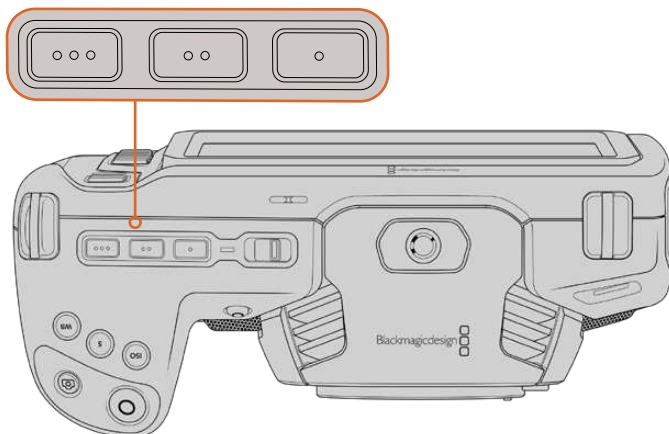
SETUP-Einstellungen Seite 2

Die zweite Seite der SETUP-Registerkarte bietet folgende Optionen:



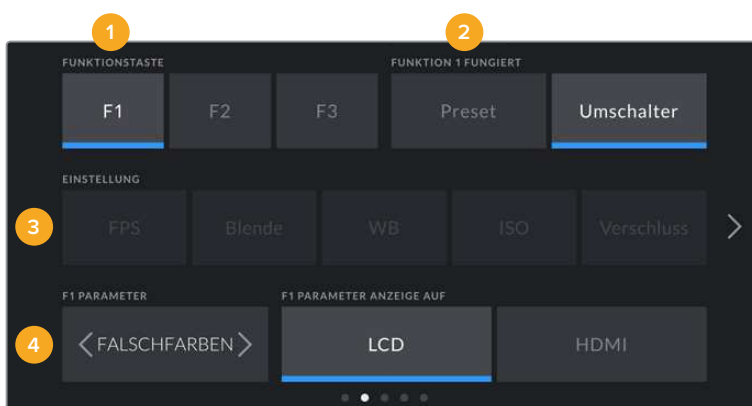
FUNKTIONSTASTE EINRICHTEN

Die Blackmagic Pocket Cinema Camera hat oben drei Funktionstasten. Die Punkte auf den Tasten stehen für Funktion 1, Funktion 2 und Funktion 3. Den Tasten können häufig verwendete Funktionen zugewiesen werden, die dann bei Einsatz Ihrer Kamera schnell abrufbar sind.



Die Funktionstasten oben auf Ihrer Kamera sind mit Punkten gekennzeichnet

Um die Tasten zu belegen, wählen Sie zunächst eine Funktionstaste und anschließend ihr Verhalten, eine Einstellung und gewünschte Parameter für diese Funktion aus.



1 Taste 2 Verhalten 3 Einstellung 4 Parameter

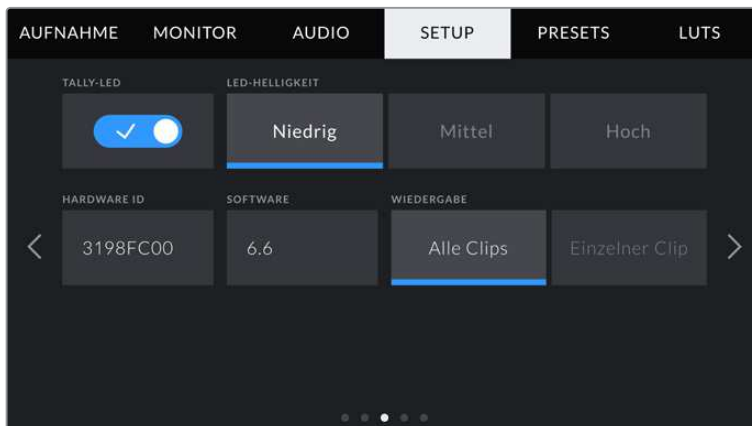
FUNKTION 1/2/3 FUNGIERT ALS

Nach Auswahl der zu belegenden Funktionstaste können Sie ihr Verhalten bestimmen. Es gibt folgende Möglichkeiten:

Preset	<p>Bei aktiviertem Voreinstellungsmodus ruft das Drücken dieser Taste eine Kombination aus einer Einstellung und einem Parameter ab.</p> <p>Um ein Preset festzulegen, wählen Sie aus dem EINSTELLUNGS-Menü eine gewünschte Einstellung und passen Sie sie mithilfe der Pfeile links und rechts des PARAMETER-Menüs an.</p> <p>Beispiel: Um Taste F1 mit einem Preset für die Blendenzahl F8 zu belegen, wählen Sie „Preset“. Tippen Sie dann auf „Blende“ und anschließend auf die Pfeile im PARAMETER-Menü, bis Sie „8.0“ angezeigt bekommen. Ein erneutes Drücken des Presets setzt Ihre Kamera auf die vorherige Einstellung zurück.</p>
Ein/Aus umschalten	<p>Wenn eine Funktionstaste auf den Umschaltmodus eingestellt ist, schaltet das Drücken der Taste eine bestimmte Einstellung ein oder aus. In diesem Modus ist das EINSTELLUNGS-Menü ausgegraut. Tippen Sie stattdessen auf die Pfeile des PARAMETER-Menüs, um die verfügbaren Optionen zu durchlaufen. Diese sind „Offspeed-Aufzeichnung“, „OIS“, „Clean-Feed“, „LUT anzeigen“, „Bildrandmarkierung“, „Focus Assist“, „Falschfarben“, „Zebra“, „Raster“ und „Schutzbereichlinien“.</p> <p>Im Umschaltmodus können Sie auswählen, auf welche Ausgabe diese Einstellung angewendet werden soll. Tippen Sie hierfür beliebig kombiniert auf „LCD“ und „HDMI“. Für Optionen wie „Off-Speed-Aufzeichnung“, die immer auf alle Ausgaben angewendet werden, ist die getrennte Auswahl für „LCD“ und „HDMI“ deaktiviert.</p>

SETUP-Einstellungen Seite 3

Die dritte Seite der SETUP-Registerkarte bietet folgende Optionen:



TALLY-LED

Ihre Blackmagic Pocket Cinema Camera hat vorne ein Tally-Licht, das im Aufnahmemodus rot leuchtet. Durch Antippen des Schalter-Icons TALLY-LED schalten Sie das Tally-Licht ein oder aus.

LED-HELLIGKEIT

Stellen Sie die Helligkeit des TALLY-LEDs ein, indem Sie auf „Niedrig“, „Mittel“ oder „Hoch“ tippen.

HARDWARE-ID

Der Indikator HARDWARE-ID zeigt einen achtstelligen Identifikationscode für Ihre Blackmagic Pocket Cinema Camera an. Dieser ist einmalig und gilt nur für Ihre Kamera. Eine längere, 32-stellige Version dieses Codes ist außerdem in den Metadaten von Blackmagic-RAW- und ProRes-Video enthalten. Man kann auf diese Weise besser nachverfolgen, welches Material von welcher Kamera stammt.

SOFTWARE

Hier wird die Versionsnummer der aktuell installierten Software angezeigt. Weitere Informationen zum Aktualisieren der Software finden Sie unter „Blackmagic Camera Setup“.

WIEDERGABE

Über diese Einstellung können Sie auswählen, ob Sie auf dem LCD-Touchscreen alle Clips oder einen einzelnen Clip von einem Speichermedium wiedergeben möchten. „Alle Clips“ spielt alle passenden Medien der Reihe nach ab. „Einzelner Clip“ hingegen spielt jeweils nur einen Clip ab. Dies gilt auch für die Loop-Funktion. Wird zusätzlich zu „Alle Clips“ die Loop-Funktion gewählt, werden alle Clips vom Speichermedium in Dauerschleife wiedergegeben. Ist „Einzelner Clip“ aktiviert, wird nur ein Clip in Dauerschleife gespielt.

SETUP-Einstellungen Seite 4

Die vierte Seite der SETUP-Registerkarte Ihrer Kamera bietet folgende Bluetooth®-Einstellungen.



Der Bluetooth-Name der Kamera setzt sich aus dem in der Slate vorgegebenen Buchstaben und der achtstelligen HARDWARE-ID Ihrer Blackmagic Pocket Cinema Camera zusammen

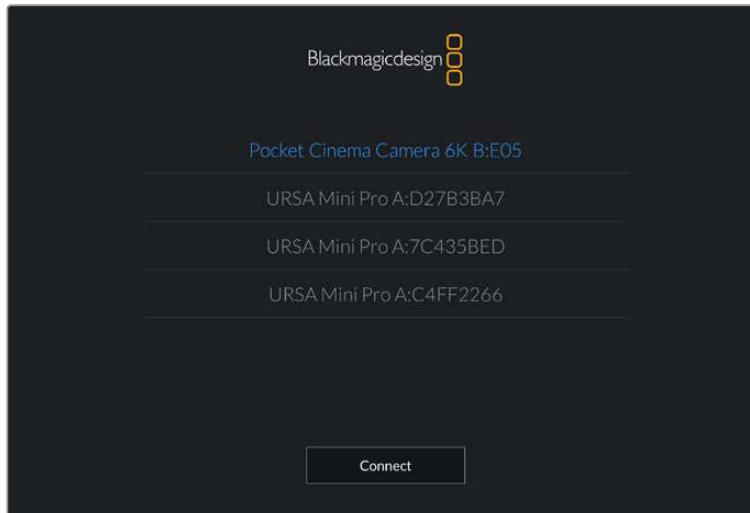
BLUETOOTH®

Mit der Bluetooth-Funktion können Sie Ihre Kamera über andere Geräten kabellos steuern. Mit der „Blackmagic Camera Control“-App ändern Sie Einstellungen, passen Metadaten an und lösen von Ihrem iPad aus der Ferne die Aufzeichnung aus. Um Bluetooth zu aktivieren oder zu deaktivieren, tippen Sie im SETUP-Menü auf das Schalter-Icon BLUETOOTH. Ist Bluetooth aktiviert, können Bluetooth-Geräte die Kamera aus bis zu 9 Metern Entfernung erkennen. Da die Kamera für die Bluetooth-Steuerung dieselben Befehle wie für das Blackmagic SDI Camera Control Protocol verwendet, können Sie Ihre eigenen Programme schreiben und so gut wie jede Kameraeinstellung fernsteuern. Zum Beispiel die Bildkontrolle, Audioeinstellungen und die kamerainterne Farbkorrektur mit DaVinci Resolve. Es kann sogar das Objektiv ferngesteuert werden.

Weitere Informationen finden Sie unter 'Blackmagic Camera Control' auf www.blackmagicdesign.com/de/developer.

So koppeln Sie Ihre Kamera erstmalig kabellos mit einem iPad:

- 1 Um Bluetooth zu aktivieren oder zu deaktivieren, tippen Sie im SETUP-Menü auf das Schalter-Icon BLUETOOTH.
- 2 Öffnen Sie die Blackmagic Camera Control App und wählen Sie die Kamera aus, mit der die Verbindung aufgebaut werden soll. Verfügbare Kameras werden mit einem Kennbuchstaben und einer einmaligen Hardware-ID aufgelistet, bspw. so: A:A0974BEA.



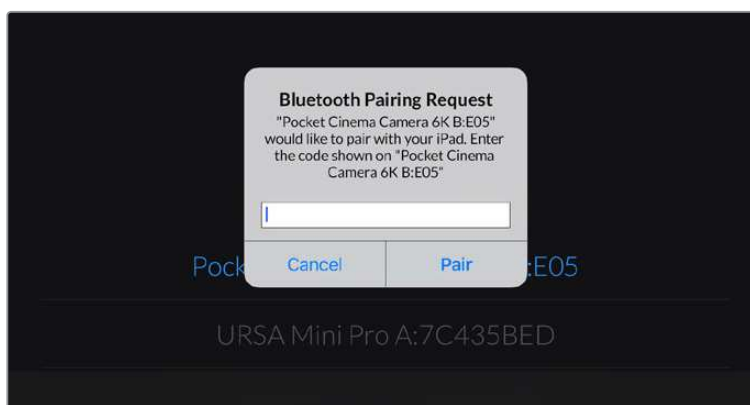
Wählen Sie die Blackmagic Pocket Cinema Camera aus, zu der die Verbindung aufgebaut werden soll

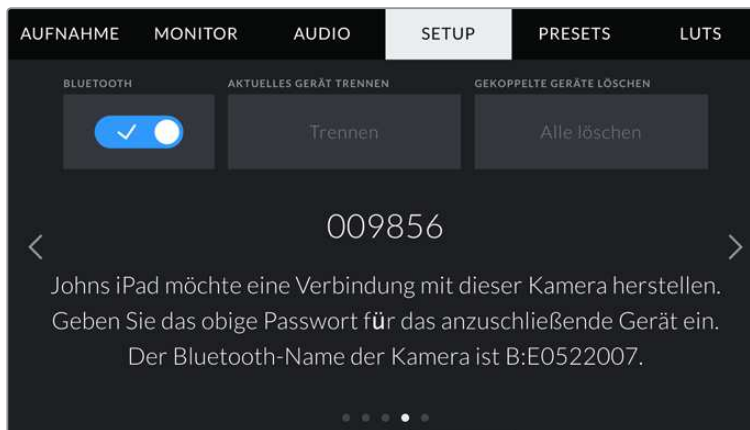
HINWEIS Nach Installation und erstmaligem Starten der Blackmagic Camera Control App werden Sie gefragt, ob Sie den Standortzugriff erlauben wollen. Wenn Sie dies für die Gebrauchsdauer der App mit „While using the app“ bejahen, werden die GPS-Koordinaten von Ihrem iPad in die Metadaten Ihrer gedrehten Dateien aufgenommen. So wird Ihre Footage mit Geotags versehen. Diese Tags können in DaVinci Resolve 15 oder neueren Versionen eingesehen werden.

Wenn Sie die Nutzung dieser Informationen nicht zulassen wollen, wählen Sie „Never“ (Nie).

Um diese Einstellungen zu ändern, gehen Sie auf Ihrem iPad unter „Einstellungen“ zu „Datenschutz“ > „Ortungsdienste“ > „Camera Control“.

- 3 Wenn Sie versuchen, erstmalig eine Drahtlosverbindung zu Ihrer Kamera herzustellen, verlangt die Blackmagic Camera Control App einen sechsstelligen Code. Dieser Code wird auf dem LCD-Bildschirm der Kamera eingeblendet. Geben Sie den Code auf dem iPad ein und klicken Sie auf „Koppeln“.

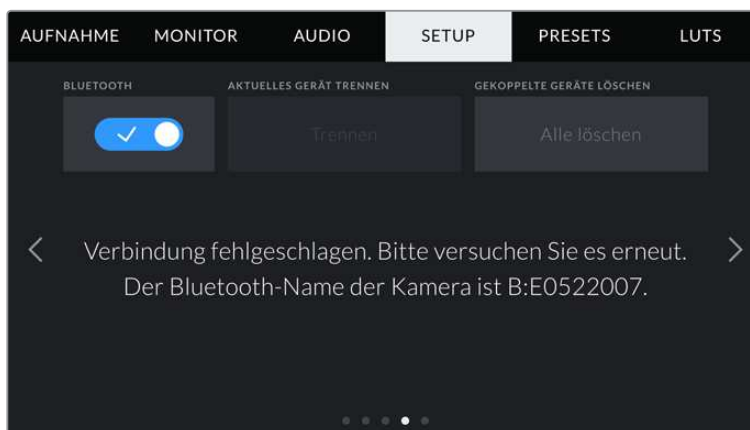




- 4 Sobald Ihre Kamera mit Ihrem iPad gekoppelt ist, wird dies bestätigt.



- 5 Scheitert das Herstellen einer Verbindung mit Ihrem iPad, zeigt die Kamera eine Fehlermeldung an. Versuchen Sie es erneut.



HINWEIS Wenn Sie Ihre Blackmagic Pocket Cinema Camera gerade nicht per Bluetooth steuern, empfehlen wir, Bluetooth aus Sicherheitsgründen auszuschalten.

AKTUELLES GERÄT TRENNEN

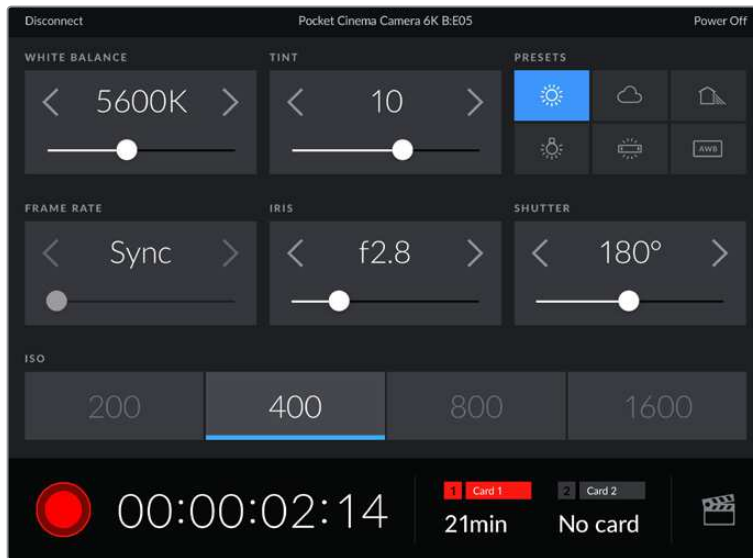
Über diese Einstellung trennen Sie die Drahtlosverbindung zwischen Ihrer Blackmagic Pocket Cinema Camera vom derzeit gekoppelten iPad.

GEKOPPELTE GERÄTE LÖSCHEN

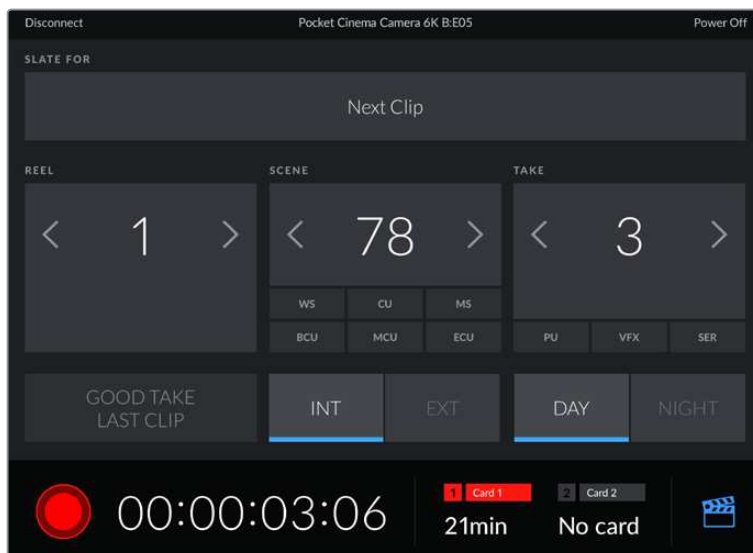
Mit dieser Einstellung löschen Sie die Liste der Geräte, mit denen Ihre Kamera gekoppelt wurde.

Steuern der Kamera mit der Blackmagic Camera Control App

Nach erfolgreicher Herstellung der Drahtlosverbindung zwischen Ihrer Blackmagic Pocket Cinema Camera und Ihrem iPad können Sie Einstellungen ändern, Metadaten anpassen und die Aufzeichnung per Trigger aktivieren.



Sind die Geräte gekoppelt, blendet die Blackmagic Camera Control App diesen Bildschirm ein, wo Sie Einstellungen ändern und die Aufnahme starten können

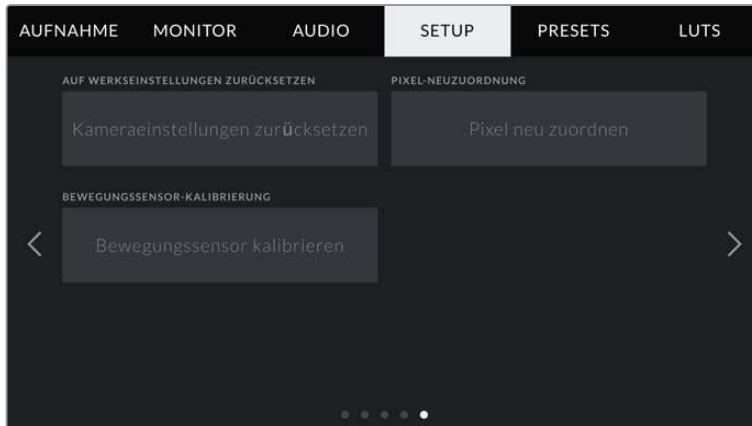


Tippen Sie auf das Filmklappen-Icon unten rechts, um auf die Slate zuzugreifen und sie zu aktualisieren

Die Blackmagic Pocket Cinema Camera nutzt Bluetooth LE für die Drahtlossteuerung von anderen Geräten aus. Dies ist derselbe Protokolltyp wie für tragbare Geräte und verbraucht nur minimalen Akkustrom.

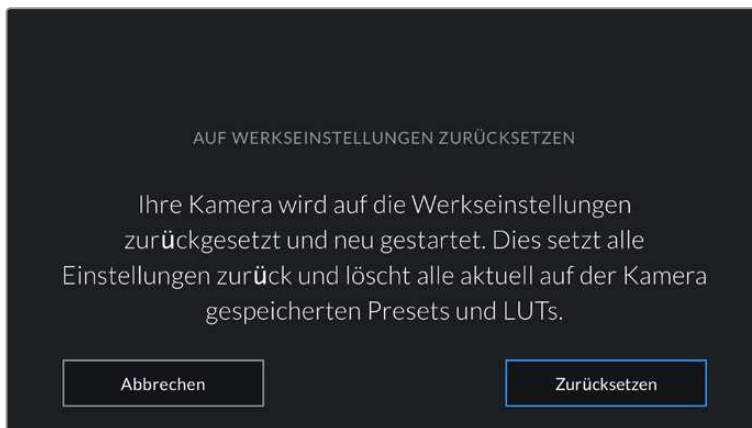
SETUP-Einstellungen Seite 5

Auf der fünften Seite der SETUP-Registerkarte befinden sich folgende Einstellungsoptionen: „Auf Werkseinstellungen zurücksetzen“, „Pixel-Neukalibrierung“ und „Bewegungssensor-Kalibrierung“.



AUF WERKSEINSTELLUNGEN ZURÜCKSETZEN

Um die Kamera auf ihre Werkseinstellungen zurückzusetzen, tippen Sie unter AUF WERKSEINSTELLUNGEN ZURÜCKSETZEN auf „Kameraeinstellungen zurücksetzen“. Tippen Sie im Bestätigungsfenster auf „Zurücksetzen“, um diese Aktion zu bestätigen. Ihre Kamera löscht jegliche LUTs und Presets und setzt alle Einstellungen zurück. Als bewährte Praxis empfiehlt es sich, von Ihren Presets auf einer Speicherkarte ein Backup anzufertigen, bevor Sie die Kamera auf ihre Werkseinstellungen zurücksetzen. So können Sie, auch nachdem Sie Ihre Kamera auf ihre Werkseinstellungen zurückgesetzt haben, Presets per Import von der Speicherkarte schnell wiederherstellen. Es wichtig zu wissen, dass mit dem Zurücksetzen auf die Werkseinstellungen auch das Horizont-Meter zurückgesetzt wird. Deshalb sollten Sie im Anschluss auch den Bewegungssensor neu kalibrieren.



Wenn Sie auf „Zurücksetzen“ tippen, werden Sie aufgefordert, Ihre Auswahl zu bestätigen

PIXEL-NEUKALIBRIERUNG

Der in Ihrer Blackmagic Pocket Cinema Camera eingesetzte CMOS-Sensor besteht aus Millionen von Pixeln, die auf Licht reagieren. Nach Kalibrierung des Sensors in der Fertigung können Pixel mit der Zeit ihre Helligkeit verändern. Sie werden somit sichtbarer und aufgrund dessen im Allgemeinen als „Hot Pixel“ bezeichnet. Alle Kamerasensoren – unabhängig vom Hersteller – entwickeln irgendwann Hot Pixel.

Um dieses Problem zu beheben, haben wir eine Kalibrierungsfunktion in die Kamera eingebaut, die Sie ausführen können, wenn Hot Pixel auf dem Bild auftreten.

Starten Sie diesen Vorgang einfach, indem Sie den Objektivdeckel aufsetzen. Führen Sie dann die Pixel-Neukalibrierung aus, indem Sie auf „Pixel-Neukalibrierung“ tippen. Dieser Prozess dauert ungefähr eine Minute.

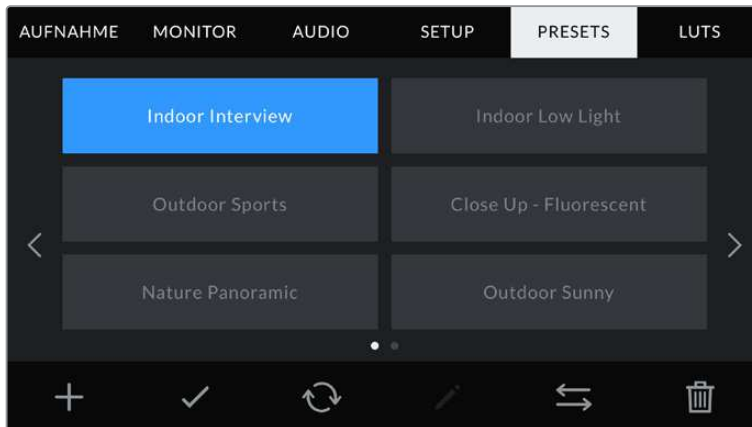
BEWEGUNGSSENSOR-KALIBRIERUNG

Um das Horizont-Meter zu kalibrieren, stellen Sie Ihre Kamera auf eine ebene Oberfläche und tippen auf „Bewegungssensor kalibrieren“. Es ist wichtig, die Kamera während der Kalibrierung stillzuhalten. Dieser Prozess dauert ungefähr fünf Sekunden.

PRESETS

Über die PRESETS-Registerkarte können Sie bis zu zwölf Voreinstellungen speichern und abrufen. Dies ist sehr nützlich, wenn Ihre Kamera für mehrere Projekte verwendet wird. Möglicherweise setzen Sie Ihre Kamera für den Dreh unterschiedlicher Filmgenres ein, z. B. Dokumentationen oder Musikvideos, die alle unterschiedlicher Kameraeinstellungen bedürfen. Die Preset-Funktion Ihrer Kamera lässt Sie das Setup eines bestimmten Projekts oder Shot-Typs abspeichern, damit Sie es bei Bedarf schnell und mühelos wieder abrufen können. Es stehen zwölf Preset-Plätze zur Verfügung.

Außerdem lassen sich Presets importieren und exportieren, was für Dreharbeiten mit mehreren Kameras praktisch ist. Stellen Sie die Blackmagic Pocket Cinema Camera einfach Ihrem Projekt entsprechend ein und exportieren Sie die Voreinstellungen für alle anderen Blackmagic Pocket Cinema Cameras am Set.



Über die PRESETS-Registerkarte können Sie schnell zwischen gespeicherten Einstellungen hin- und herwechseln

HINWEIS Der interne Speicher Ihrer Kamera fasst bis zu zwölf Presets.

Preset-Icons

Die Icons am unteren Rand des PRESETS-Menüs stehen für die nachfolgend erklärten Funktionen.

				
Hinzufügen	Laden	Aktualisieren	Verwalten	Löschen

Speichern und Laden von Presets

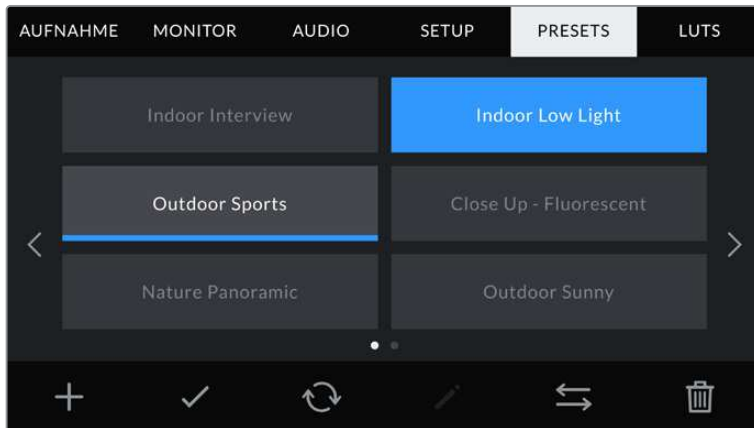
Tippen Sie zum Erstellen eines neuen Projekts auf das Hinzufügen-Icon. Es erscheint eine Tastatur auf Ihrem LCD. Geben Sie dort den Namen für Ihr Preset ein. Tippen Sie nach Eingabe des Namens auf den „Aktualisieren“-Button, um alle aktuellen Einstellungen in diesem Preset zu speichern.

Wenn in der Kamera bereits ein gleichnamiges Preset geladen ist, können Sie das vorhandene Preset überschreiben oder beide behalten.



Tippen Sie auf der PRESETS-Registerkarte auf das Hinzufügen-Icon und geben Sie mithilfe der Tastatur einen Namen ein

Wenn Sie ein gespeichertes Preset abrufen möchten, tippen Sie auf seinen Namen. Um ein Preset zu laden, tippen Sie auf das Laden-Icon.



Wählen Sie ein Preset und laden Sie es über das Laden-Icon. Ausgewählte Presets werden ganz in blau angezeigt, während aktuell geladene Presets mit einer blauen Linie am unteren Rand des Icons dargestellt sind

Sie können ein Preset aktualisieren, indem Sie auf den „Aktualisieren“-Button tippen. Es öffnet sich ein Fenster mit der Frage, ob Sie das Preset mit der derzeitigen Einstellung Ihrer Blackmagic Pocket Cinema Camera aktualisieren wollen. Tippen Sie zur Bestätigung auf den „Aktualisieren“-Button

Importieren von Presets

Um Presets zu importieren, tippen Sie auf das Verwalten-Icon am unteren Rand des PRESETS-Menüs. Tippen Sie auf „Preset importieren“ und dann auf „Importieren“, um den Vorgang zu bestätigen. Es erscheint der Import-Bildschirm für Presets. Sollte Ihr bevorzugtes Preset nicht auf dem Speichermedium zu finden sein, tippen Sie auf einen der Media-Buttons am oberen Rand des Touchscreens, um zu einem anderen Medium zu wechseln. Sie können Presets von einem USB-C-Laufwerk, einer CFast- oder SD-Karte importieren.

Ihre Kamera durchsucht daraufhin das Stammverzeichnis und den Presets-Ordner auf Ihren ausgewählten Medien und listet alle verfügbaren Presets auf. An anderer Stelle gespeicherte Presets sind so nicht auffindbar.

Tippen Sie auf ein Preset, um es auszuwählen. Tippen Sie dann auf „Importieren“, um die Auswahl zu bestätigen und an die nächstverfügbare Stelle auf Ihrer Kamera zu kopieren.

HINWEIS Sind alle zwölf Preset-Plätze Ihrer Kamera belegt, ist das Import-Menü nicht verfügbar. Um Platz zu schaffen, müssen Sie ein bestehendes Preset löschen.

Hat dieses Preset denselben Namen wie ein bereits auf Ihrer Kamera gespeichertes Preset, können Sie das bestehende Preset überschreiben oder beide behalten. Oben rechts auf dem Touchscreen sehen Sie die Anzahl der verbleibenden Preset-Plätze auf Ihrer Kamera. Sie können so viele Presets laden, wie Plätze vorhanden sind.

Exportieren von Presets

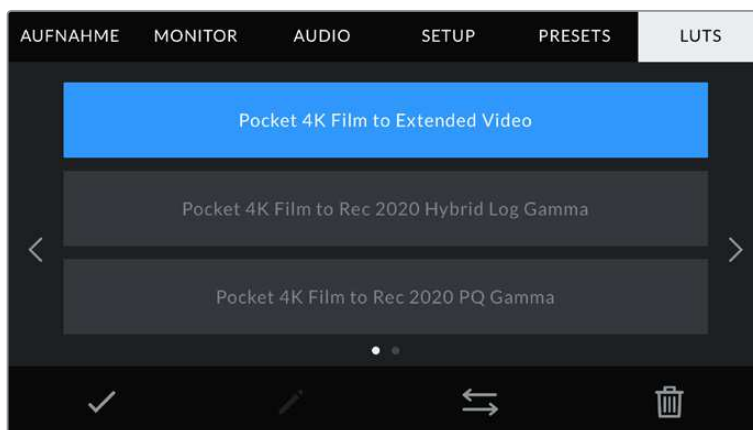
Um ein Preset auf ein Speichermedium zu exportieren, tippen Sie zunächst auf das zu exportierende Preset und dann auf das Verwalten-Icon. Tippen Sie auf „Ausgewähltes Preset exportieren“ und anschließend auf das Medium, auf das Sie das Preset exportieren wollen. Ist bereits ein Preset mit dem gleichen Namen vorhanden, geben Sie an, ob Sie es überschreiben oder beide beibehalten möchten. Die Kamera exportiert das Preset in einen Presets-Ordner.

Löschen von Presets

Zum Löschen eines Presets wählen Sie es aus und tippen Sie auf das Löschen-Icon. Sie werden aufgefordert, Ihre Auswahl zu bestätigen. Tippen Sie hierzu auf „Löschen“.

3D-LUTs

Im LUTS-Menü können Sie 3D-LUTs importieren, exportieren und auf die Ausgaben Ihrer Kamera anwenden.



Auswahl einer 3D-LUT über die LUTS-Registerkarte der Kamera

3D-LUTs vorgestellt

Sie können 3D-LUTs auf Bilder auf dem LCD-Touchscreen und der HDMI-Ausgabe anwenden. LUTs geben Ihrer Kamera vor, welche Farbe und Luminanz bei einer bestimmten Farb- und Luminanz-Eingabe auf die Ausgabe anzuwenden sind. Beispiel: Eine LUT kann Ihrer Kamera vorgeben, ein vom eingehenden Signal her relativ trübes Blau als strahlendes, sattes Blau darzustellen. Das ist besonders bei der Aufzeichnung von Blackmagic-RAW-Material nützlich oder bei Verwendung des Dynamikumfangs „Film“. Beides liefert ein gewollt ungesättigt und kontrastarm wirkendes Bild. Wenden Sie eine LUT auf Ihr Material an, bekommen Sie einen Eindruck, wie Ihre Footage nach der Farbkorrektur aussehen wird.

3D-LUTs lassen sich problemlos in DaVinci Resolve oder einer anderen Farbkorrektur-Software erstellen. Außerdem sind LUTs auch online erhältlich. Auf der Kamera können bis zu zehn 17- oder 33-Punkt-3D-LUTs mit je bis zu 1,5 Megabytes gespeichert werden. Sobald eine LUT geladen ist, können Sie sie auf das Bild auf dem LCD-Touchscreen und auf die HDMI-Ausgabe Ihrer Kamera anwenden und sichten.

Ihre Blackmagic Pocket Cinema Camera unterstützt 33-Punkt-3D-LUTs im .cube-Format von DaVinci Resolve und ins Resolve .cube-Format konvertierte 17-Punkt-3D-LUTs. Ihre Kamera verarbeitet 3D-LUTs mithilfe qualitativ hochwertiger linearer Interpolation.

TIPP Näheres finden Sie im Abschnitt MONITOR-Einstellungen in diesem Handbuch.

HINWEIS Ihre Blackmagic Pocket Cinema Camera wendet LUTs nicht standardmäßig auf aufgenommene Footage an oder brennt sie ein. Es ist jedoch möglich, die LUT in Ihre Footage einzubrennen.

Diese Option kann nützlich sein, wenn Sie in der Postproduktion keine Zeit für das Grading Ihrer Footage haben oder die Footage direkt an den Kunden oder Editor übergeben werden muss.

Bei der Verwendung von LUTs als Vorschautool am Set werden die Informationen der angewandten LUT als Metadaten zusammen mit Ihren Aufnahmen gespeichert. DaVinci Resolve zeigt diese Informationen im Metadata-Tab im Feld „LUT Used“ (Verwendete LUT) an. Dies kann für Coloristen hilfreich sein, um den Namen der am Set verwendeten LUT zu überprüfen.

Integrierte LUTs

Die Kamera verfügt über mehrere kamerainterne LUTs. Mit dem Dynamikumfang „Film“ in Blackmagic RAW aufgezeichnetes Material können Sie so im Vorschaumodus mit verschiedenen Looks ausprobieren.

Jede Kamera stellt sensorspezifische LUTs bereit:

Pocket 4K Film to Extended Video / Pocket 6K Film to Extended Video

„Pocket 4K Film to Extended Video“ bietet eine Vorschau mit einem breiteren Dynamikumfang als die LUT „Pocket 6K Film to Video“. Bei einer leichten Änderung am Kontrast liefert sie ein geschmeidiges Roll-Off in den Highlights.

Pocket 4K Film to Rec 2020 Hybrid Log Gamma / Pocket 6K Film to Rec 2020 Hybrid Log Gamma

Zeigt eine Mischform aus Rec.709 und einem Log-Bild an.

Pocket 4K Film to Rec 2020 PQ Gamma / Pocket 6K Film to Rec 2020 PQ Gamma



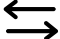

Bietet eine Vorschau mit Gammakurve, die darauf basiert, was das menschliche Auge wahrnehmen kann. Eignet sich für effizientes Encoding von HDR-Bildern.

Pocket 4K Film to Video / Pocket 6K Film to Video

Ähnlich der Rec.709-Farbnorm für High-Definition-Video mit hohen Kontrast- und Sättigungslevels. Diese Einstellung eignet sich bei Einsatz der Blackmagic Pocket Cinema Camera zusammen mit anderen Broadcastkameras, die den Rec.709-Farbraum verwenden.

LUT-Icons

Die Icons am unteren Rand des LUTS-Menüs Ihrer Kamera unterstützen folgende Funktionen:

			
Laden	Speichermedium	Verwalten	Löschen

LUTs importieren

Um eine 3D-LUT zu importieren, tippen Sie auf das Verwalten-Icon unten im LUTS-Menü. Tippen Sie auf „LUT importieren“ und dann auf „Importieren“, um den Vorgang zu bestätigen. Es erscheint der Bildschirm zum Importieren von LUTs. Sollte Ihre bevorzugte 3D-LUT nicht auf dem Speichermedium zu finden sein, tippen Sie auf einen der Media-Buttons am oberen Rand des Touchscreens, um zu einem anderen Medium zu wechseln. Sie können LUTs von einem USB-C-Laufwerk, einer CFast- oder SD-Karte importieren.

Ihre Kamera durchsucht daraufhin das Stammverzeichnis und den 3D-LUT-Ordner auf Ihren ausgewählten Medien und listet alle verfügbaren LUTs auf. An anderer Stelle gespeicherte LUTs sind so nicht auffindbar.

Tippen Sie auf eine LUT, um sie auszuwählen. Tippen Sie dann auf „Importieren“, um die Auswahl zu bestätigen und sie an die nächstverfügbare Stelle auf Ihrer Kamera zu kopieren.

HINWEIS Sind alle zehn Plätze für 3D-LUTs befüllt, können Sie erst dann weitere importieren, wenn sie durch Löschen vorhandener LUTs Platz schaffen.

Hat diese LUT denselben Namen wie eine bereits auf Ihrer Kamera gespeicherte LUT, können Sie die vorhandene LUT überschreiben oder beide beibehalten. Oben rechts auf dem Touchscreen sehen Sie die Anzahl der verbleibenden LUT-Plätze auf Ihrer Kamera. Sie können so viele LUTs laden, wie Plätze vorhanden sind.

HINWEIS Sollte beim Importieren einer LUT ein Problem auftreten, ist ihre Größe womöglich inkorrekt. Die Größe einer LUT können Sie mithilfe eines LUT-Editors wie Lattice oder mit einem beliebigen Texteditor auf Ihrem Rechner prüfen. Die neben dem Tag „LUT_3D_SIZE“ erscheinende Zahl gibt Aufschluss über die Größe der LUT. Beträgt dieser Wert weder 17 noch 33, können Sie Ihre 3D-LUT mithilfe von Lattice auf 17 Punkte reduzieren.

Anwenden einer LUT

Sobald Sie eine LUT auf Ihrer Kamera gespeichert haben, wählen Sie sie aus und tippen anschließend auf das Laden-Icon. Dies wendet die LUT auf alle Ausgaben Ihrer Kamera an. Um die für Ihre Kameraausgaben geladene LUT anzuzeigen, aktivieren Sie im MONITOR-Menü die Option LUT ANZEIGEN. Weitere Informationen finden Sie unter MONITOR-Einstellungen.

LUTs exportieren

Um eine LUT auf ein Speichermedium zu exportieren, tippen Sie zunächst auf die zu exportierende LUT und dann auf das Verwalten-Icon. Tippen Sie auf „Ausgewählte LUT exportieren“ und anschließend auf das Medium, auf das Sie die LUT exportieren wollen. Ist bereits eine gleichnamige LUT vorhanden, geben Sie an, ob Sie diese überschreiben oder beide beibehalten möchten. Die Kamera exportiert die LUT in einen 3D-LUTS-Ordner.

LUTs löschen

Wenn Sie eine LUT löschen möchten, weil Sie sie nicht mehr benötigen oder um Platz zu schaffen, wählen Sie die entsprechende LUT aus und tippen auf das Löschen-Icon. Sie werden aufgefordert, Ihre Auswahl zu bestätigen. Tippen Sie hierzu auf „Löschen“.

Eingebettete 3D-LUTs

Wird beim Filmen in Blackmagic RAW auf der Blackmagic Pocket Cinema Camera eine 3D-LUT angewendet, wird die ausgewählte LUT bei der Aufzeichnung in die Blackmagic-RAW-Datei eingebettet. Die 3D-LUT wird mit Ihren aufgezeichneten Dateien in der Kopfzeile der BRAW-Datei (.braw) gespeichert. So kann man die LUT in der Postproduktion mühelos auf die Footage anwenden, ohne eine separate Datei handhaben zu müssen.

Wenn Editoren oder Coloristen solche Dateien erhalten, können diese leicht auf die beim Filmen verwendete LUT zugreifen. Dies reduziert das Risiko, dass versehentlich eine falsche 3D-LUT auf einen Clip angewendet wird. Während des Schnitts oder Colorgradings der Footage kann die 3D-LUT wahlweise aktiviert oder jederzeit deaktiviert werden.

Ist der Schalter LUT IN DATEI ANWENDEN im Aufzeichnungsmenü aktiviert, wird dieser Clip beim Öffnen im Blackmagic RAW Player und in DaVinci Resolve mit der angewendeten 3D-LUT dargestellt.

Die 3D-LUT lässt sich leicht ein- und ausschalten. Sie ist aber immer in der Blackmagic-RAW-Datei enthalten, da die entsprechenden Daten im Clip selbst gespeichert sind. In DaVinci Resolve bietet das Menü mit den RAW-Einstellungen einen „Apply LUT“-Schalter, mit dem sich die 3D-LUT in der Blackmagic-RAW-Datei de- bzw. aktivieren lässt.

Die „Apply LUT“-Einstellung in DaVinci Resolve gleicht der Einstellung in der Kamera. Dies ermöglicht Ihnen, dem Coloristen schon beim Dreh anhand der in der Kamera angewendeten LUT eine Orientierungshilfe zu geben. Diese LUT kann in DaVinci Resolve aber einfach deaktiviert werden, indem man „Apply LUT“ auf AUS setzt.

Eingabe von Metadaten

Metadaten sind Informationen, die innerhalb eines Clips gespeichert werden. Dazu gehören Take-Nummern, Kameraeinstellungen und andere Identifikationsdaten. Metadaten sind extrem nützlich, um Footage in der Postproduktion zu sortieren und zu bearbeiten. Bspw. sind Take-, Shot- und Szenen-Nummern das A und O für die Organisation, während Objektivinformationen dazu genutzt werden können, Verzeichnungen automatisch zu entfernen oder VFX-Assets besser auf Matten abzustimmen.

Ihre Blackmagic Pocket Cinema Camera speichert Clips automatisch mit einigen Metadaten ab. Dazu gehören Kameraeinstellungen, Timecode, Datum und Uhrzeit. Sie können die Filmtafelfunktion Slate Ihrer Kamera nutzen, um viele weitere Informationen hinzuzufügen.

Slate

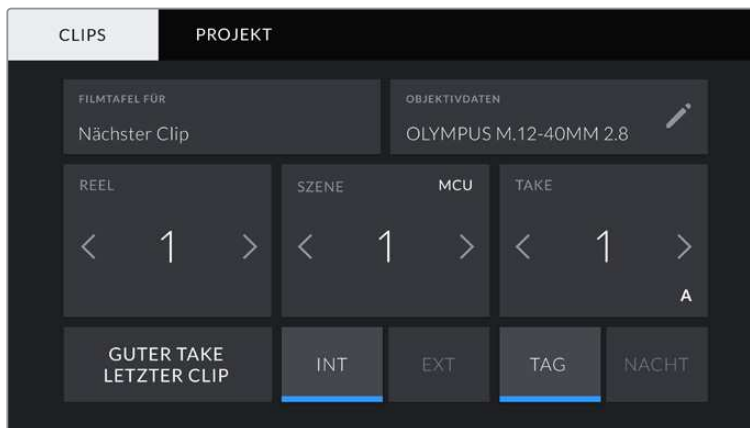
Wischen Sie auf dem Touchscreen aus der Hauptansicht Ihrer Kamera nach rechts oder links, um das Slate-Menü aufzurufen.

Das Slate-Menü ist in zwei Registerkarten unterteilt: CLIPS und PROJEKT. Auf der Registerkarte CLIPS finden Sie Informationen, die von Clip zu Clip variieren, während Sie unter PROJEKT gängige Daten wie Projektname, Regisseur sowie Kamera- und Operator-ID eingeben.

TIPP Über die Slate eingegebene Metadaten können mit der Regisseur-Einstellung in der HDMI-Ausgabe eingesehen werden. Näheres finden Sie im Abschnitt MONITOR-Einstellungen in diesem Handbuch.

CLIP-Metadaten

Änderungen an den Clip-Metadaten funktionieren im Standby-Modus anders als im Wiedergabe-Modus. Im Standby-Modus werden mit aufzeichnungsbereiter Kamera Clip-Metadaten für den nächsten Clip aufgezeichnet. Dies gilt nicht, wenn der zuletzt aufgezeichnete Clip durch Antippen des GUTER TAKE LETZTER CLIP-Buttons mit einer GUTER TAKE-Markierung versehen wurde. Im Wiedergabe-Modus wird beim Sichten bereits gedrehten Materials der GUTER TAKE-Button eingeblendet und Clip-Metadaten werden immer dem aktuell betrachteten Clip beigefügt.



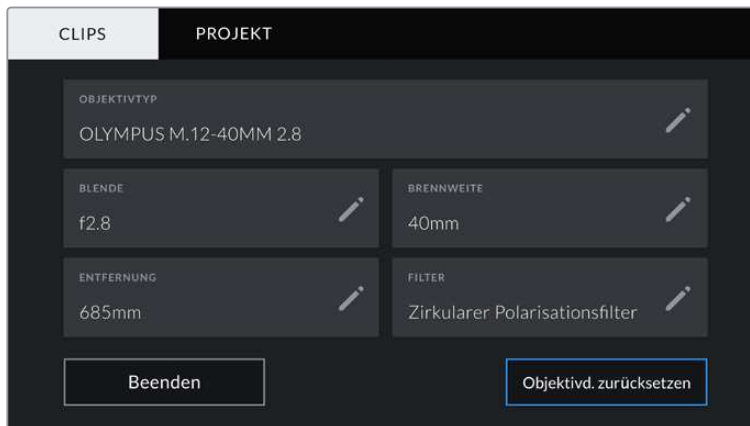
Im Wiedergabe-Modus erkennt FILMTAFEL FÜR die auf den Clip angewandete Slate und der GUTER TAKE-Button wird eingeblendet. Im Standby-Modus bezieht sich die Slate auf den nächsten Clip und der GUTER TAKE LETZTER CLIP-Button wird eingeblendet

FILMTAFEL FÜR

Diese Einstellung zeigt an, auf welchen Clip sich die derzeit angezeigten Metadaten beziehen. Im Wiedergabe-Modus ist das der aktuelle und im Standby-Modus der nächste aufgenommene Clip.

OBJEKTIVDATEN

Hier werden Informationen zum Objektiv angezeigt, das zurzeit an Ihre Kamera angebracht ist. Viele elektronische Objektive liefern automatisch Informationen zu Modell, Blende und Brennweite. Sollte Ihr Objektiv diese Informationen nicht liefern oder sollten Sie zusätzliche Informationen eingeben wollen, tippen Sie auf das Stift-Icon und geben Sie die Informationen manuell ein. Das Objektivdatenmenü enthält folgende Informationen:



Das Objektivdaten-Menü wird automatisch mit Informationen vom angebrachten Objektiv sowie mit manuell eingegebenen Filterinformationen befüllt

• OBJEKTIVTYP

Zeigt den Objektivtyp an. Wird der Typ Ihres Objektivs nicht automatisch angezeigt, können Sie auf diese Einstellung tippen und die Informationen manuell eingeben. Ihre Kamera verfügt über eine interne Datenbank mit gängigen Objektiven. Sollten Sie die Daten Ihres Objektivs manuell eingeben müssen, schlägt Ihnen die Kamera während der Eingabe Namen vor. Dies beschleunigt die Eingabe von Daten.



Geben Sie Objektivdaten mithilfe der Touch-Tastatur ein, falls diese nicht automatisch erscheinen

• BLENDE

Zeigt die Einstellung der Blende zu Beginn Ihres Clips an. Sofern automatisch mitgeliefert, wird diese Information je nach verwendetem Objektivtyp in f- oder T-Stufen angegeben. Tippen Sie auf diese Einstellung, um Metadaten manuell einzugeben.

- **BRENNWEITE**

Zeigt die Brennweitereinstellung des Objektivs zu Beginn des aufgezeichneten Clips an. Wird diese Information automatisch geliefert, erscheint sie in Millimetern. Tippen Sie auf diese Einstellung, um die Brennweite manuell einzugeben.

- **ENTFERNUNG**

Zeigt die Einstellungen für den Fokusabstand für den aufgezeichneten Clip an. Einige Objektive liefern diese Informationen automatisch in Millimetern. Sie können diese Daten zudem manuell eingeben.

- **FILTER**

Zeigt die derzeit verwendeten Objektivfilter an. Tippen Sie auf diese Einstellung, um Metadaten manuell einzugeben. Sie können mehrere Eingaben vornehmen und diese durch Kommata trennen.



Filterinformationen müssen manuell eingegeben werden

HINWEIS Objektivdaten lassen sich jederzeit löschen, indem Sie im Menü OBJEKTIVDATEN auf „Objektivd. zurücksetzen“ tippen. Sie werden aufgefordert, Ihre Auswahl zu bestätigen. Wenn Sie sie bestätigen, werden alle Objektivdaten gelöscht und automatisch die Daten des aktuell angebrachten Objektivs aufgenommen. Wurden Informationen manuell in diese Felder eingegeben, müssen Sie die Objektivdaten neu einstellen, wenn Sie ein anderes Objektiv anbringen. Andernfalls werden die manuell vorgegebenen Daten des vorherigen Objektivs verwendet.

REEL

Zeigt das aktuelle Band an.

Ihre Blackmagic Pocket Cinema Camera zählt die Bandnummer in der Regel automatisch hoch. Sie brauchen es nicht manuell zu tun. Wenn Sie für ein neues Projekt mit Reel 1 beginnen möchten, tippen Sie im PROJEKT-Tab der Slate auf „Projektd. zurücksetzen“, um Ihre Projektdaten zurückzusetzen.

SZENE

Der SZENE-Indikator zeigt die derzeitige Szenennummer an. Gleichzeitig können auch die Shot-Nummer und der Shot-Typ angezeigt werden.

Diese Zahl bezieht sich immer auf die aktuelle Szene. Mithilfe der Rechts- und Linkspfeile neben der Szenennummer können Sie diese anpassen. Oder tippen Sie auf die Szenennummer, um für eine manuelle Eingabe auf den Editor zuzugreifen.

Szenennummern reichen von 1 bis 9999.

Wenn Sie die aktuelle Einstellung (Shot) kennzeichnen möchten, fügen Sie einfach im Szenennummern-Editor einen Buchstaben hinzu. Beispiel: „23A“ steht für Szene 23 und Einstellung 1. Wenn Sie Ihrer Szenennummer einen Shot-Buchstaben hinzugefügt haben, schlägt Ihre Kamera beim Öffnen des Szenennummer-Editors jedes Mal die nächste Szenennummer und den entsprechenden Shot-Buchstaben vor. Wenn Ihre aktuelle Szenennummer bspw. 7B ist, schlägt Ihnen die Kamera „8“ und „7C“ vor.

Der Szenennummern-Indikator kann außerdem Informationen über den Shot-Typ in der oberen rechten Ecke anzeigen. Wählen Sie diese im Szenennummern-Editor rechts neben der Tastatur aus.

Folgende Shot-Typen sind verfügbar:

WS	Totale
MS	Halbnah
MCU	Nah
CU	Großaufnahme
BCU	Nahaufnahme
ECU	Detail



Bei der Eingabe von SZENE-Metadaten schlägt die Kamera Ihnen Szenennummern links und Shot-Typen rechts neben der Touch-Tastatur vor

TAKE

Der TAKE-Indikator zeigt die Take-Nummer des aktuellen Shots an. Diese können Sie entweder durch Antippen der Pfeile auf beiden Seiten der Take-Nummer oder durch Tippen auf den Indikator und Eingabe im Take-Nummern-Editor anpassen.

TIPP Beim Hochzählen der Szenennummern oder Shot-Buchstaben fängt die Take-Nummer wieder bei 1 an.

Im Takenummern-Editor lassen sich zudem Beschreibungen hinzufügen. Diese werden Ihnen rechts neben der Takenummern-Tastatur angeboten und beziehen sich auf folgende Szenarien:

P/U	Pick up: Dies bezieht sich auf den Nachdreh eines bereits erfolgten Takes, um nach bereits abgeschlossenen Dreharbeiten zusätzliches Material zu filmen.
VFX	Visual Effects: Dies bezieht sich auf einen Take oder einen Shot, der für visuelle Effekte gedacht ist.
SER	Series: Dies bezieht sich auf eine Situation, in der mehrere Takes aufgezeichnet werden, während die Kamera ununterbrochen filmt.



Bei der Eingabe von Metadaten schlägt Ihre Blackmagic Pocket Cinema Camera Ihnen rechts neben der Touch-Tastatur zusätzliche Einstellungstypen vor

GUTER TAKE

Tippen Sie auf den GUTER TAKE-Indikator, um gute Aufnahmesequenzen zum schnellen Abrufen in der Postproduktion zu markieren. Mit diesem Button markiert man einen aktuell gesichteten Clip als GUTER TAKE. Befindet sich die Kamera im Standby-Modus und ist aufnahmebereit, so versieht der Button GUTER TAKE LETZTER CLIP den zuletzt aufgenommenen Clip mit einem GUTER-TAKE-Tag.

INT / EXT

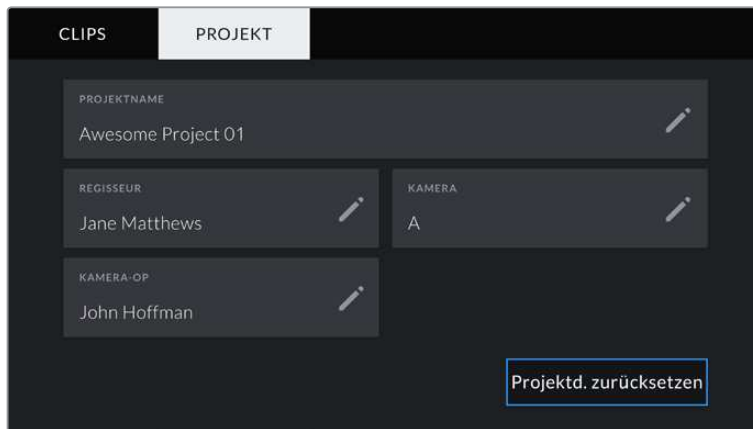
Tippen Sie auf INT oder EXT, um im Standby-Modus den nächsten, bzw. im Wiedergabemodus den aktuellen Clip mit „Interior“ (Innen) oder „Exterior“ (Außen) zu markieren.

TAG / NACHT

Tippen Sie auf TAG oder NACHT, um im Standby-Modus den nächsten, bzw. im Wiedergabemodus den aktuellen Clip mit „Tag“ oder „Nacht“ zu markieren.

PROJEKT-Metadaten

Bei Projektmetadaten ist es unerheblich, ob Sie im Standby- oder Wiedergabemodus sind. Diese Metadaten beziehen sich auf Ihr gesamtes Projekt und sind nicht mit den Clip-Nummern assoziiert.



Geben Sie unter der PROJEKT-Registerkarte die Details für Ihr Projekt ein

PROJEKTNAME

Zeigt den Namen Ihres aktuellen Projekts an. Tippen Sie auf das Stift-Icon, um den Projektnamen zu ändern.

REGISSEUR

Zeigt den Namen des Regisseurs für das aktuelle Projekt an. Tippen Sie auf das Stift-Icon, um den Namen des Regisseurs zu ändern.

KAMERA

Zeigt einen einzelnen Buchstaben als Kamera-Index an. Tippen Sie auf das Stift-Icon, um den Kamera-Index zu ändern.

KAMERA-OP

Zeigt den Namen des Kameraoperators an. Tippen Sie auf das Stift-Icon, um den Namen des Kameraoperators zu ändern.

Videoausgabe der Kamera

HD-Monitoring-Ausgang

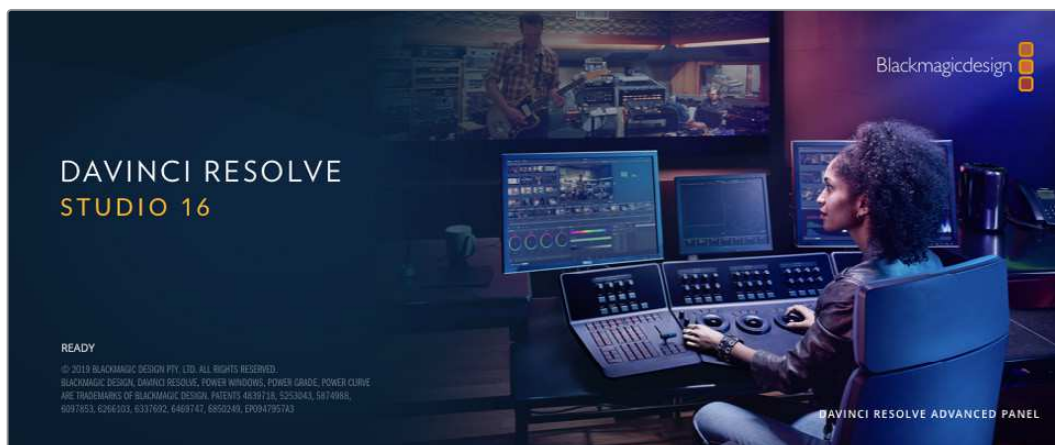
Der HDMI-Anschluss in voller Größe gibt Video in 1080 HD aus. Es ist einfach, daran einen Monitor oder sogar ein Fernsehgerät für die Vorschau Ihrer Bilder anzuschließen. Die 10-Bit-Ausgabe unterstützt zudem HDR und Onscreen-Overlays für den Kamerastatus. Das ist perfekt fürs Monitoring am Set.

Wenn das Kamera-LCD aufgrund der praktischen Umstände nicht eingesehen werden kann – bspw. mit der Kamera außer Reichweite auf einem hohen Kran oder Ausleger – bietet HDMI-Monitoring eine nützliche Alternative. Die Einstellungen der HDMI-Overlays für die Bildkontrolle über den HDMI-Ausgang werden im Menü „Display-Einstellungen“ vorgegeben. In HDMI-Overlays werden Frame-Markierungen, Aufnahmeinformationen sowie Kameraeinstellungen angezeigt. Wenn Sie lediglich Ihre Aufnahmen kontrollieren möchten, deaktivieren Sie die Overlays für eine saubere HDMI-Ausgabe mit „Aus“.

Durch den Einsatz von Konvertern wie dem Blackmagic Micro Converter HDMI to SDI können Sie Signale in SDI umwandeln. Dies ermöglicht es, SDI-Monitore, Aufzeichnungsgeräte, Broadcast-Mischer und andere SDI-Geräte anzuschließen. Sie können den Blackmagic Micro Converter HDMI to SDI sogar über den USB-Port Ihrer Blackmagic Pocket Cinema Camera mit Strom versorgen.

Verwendung von DaVinci Resolve

Das Filmen mit Ihrer Blackmagic Pocket Cinema Camera ist nur ein Teil der Erstellung von Inhalten für Kino und TV. Ebenso wichtig sind der Sicherungs- und Verwaltungsprozess von Medien sowie Schnitt, Farbkorrektur und die Kodierung finaler Masterdateien. Ihre Blackmagic Pocket Cinema Camera wird mit einer Version von DaVinci Resolve für Mac und Windows geliefert. Das gibt Ihnen eine Komplettlösung für Dreh und Postproduktion.



HINWEIS Um auf Ihrer Pocket Cinema Camera gedrehte Clips farblich präzise zu bearbeiten, empfehlen wir die neueste Version von DaVinci Resolve. Die Version 16 oder höher sorgt auf allen Blackmagic Kameras für präzise Farben und stellt die neuesten Blackmagic-RAW-Features bereit.

Nachdem Sie eine CFast- bzw. SD-Karte oder SSD an Ihren Rechner angeschlossen haben, können Sie mithilfe des Clone-Tools im Media-Arbeitsraum von DaVinci Resolve beim Dreh fortlaufend Backups erstellen. Dies empfiehlt sich, da bei jeder Art von Speichermedium das Risiko einer Beschädigung oder Störung besteht. Die Erstellung von Sicherungskopien schützt Sie vor dem Verlust Ihrer Einstellungen. Nach erfolgreichem Backup Ihrer Medien mit DaVinci Resolve können Sie Ihre Clips in den DaVinci Media Pool laden und sie dann schneiden, farblich nachbearbeiten und Ihre Produktion fertigstellen, ohne DaVinci Resolve je zu verlassen.

DaVinci Resolve wird für das Gros bedeutender Kinohits benutzt. Es bietet also viel mehr als ein simples NLE-Softwaretool, weil in dieser für Highend-Digitalfilm konzipierten Anwendung äußerst hochentwickelte Technologie steckt. Sie profitieren von dieser Technologie, wenn Sie Ihre Projekte mit DaVinci Resolve schneiden und farbkorrigieren.

In den folgenden Abschnitten werden Ihnen die ersten Schritte zum Gebrauch von DaVinci Resolve mit Ihren Kameradateien erklärt. Als hochkomplexe Software bietet DaVinci Resolve natürlich weitaus mehr Features als der erste Blick auf die Bedienoberfläche erahnen lässt. Weitere Informationen zur Verwendung von DaVinci Resolve finden Sie in der englischsprachigen Bedienungsanleitung auf der Blackmagic Website, wo auch zahlreiche Trainingskurse und Videotutorials zur Verfügung stehen.

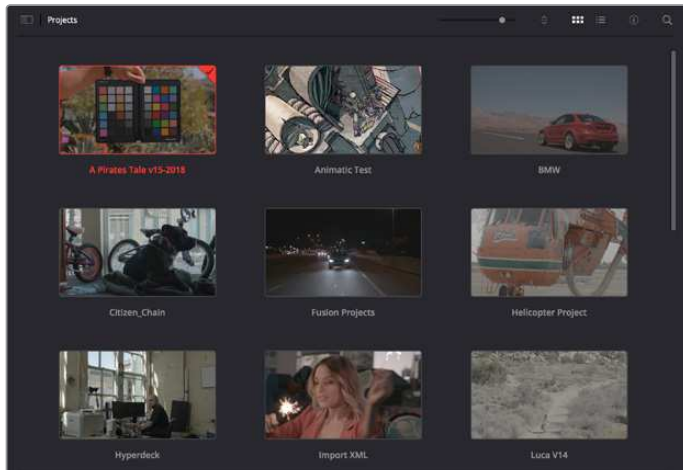
Project Manager

Bevor Sie Ihre Clips zur Bearbeitung importieren, müssen Sie Ihr Projekt im Projektmanager einrichten.

Das Projektmanager-Fenster öffnet sich beim Starten von DaVinci Resolve. Es kann auch sonst jederzeit durch Anklicken des Home-Icons unten rechts auf der Bedienoberfläche aufgerufen werden. Das ist nützlich, wenn Sie bestehende Projekte öffnen und neue erstellen möchten.

Zum Erstellen eines neuen Projekts klicken Sie am unteren Fensterrand des Projektmanagers auf „New Project“ und benennen Ihr Projekt. Klicken Sie zur Bestätigung auf „Create“.

Im Cut-Arbeitsraum können Sie Ihren Edit sofort bearbeiten.



Der Projektmanager zeigt alle vom aktuellen User verwendeten Projekte an

Weitere Informationen zum Projektmanager finden Sie unter „Project Manager“ im englischsprachigen DaVinci Resolve Handbuch, das auf den Support-Seiten der Blackmagic Design Website heruntergeladen werden kann.

Schneiden im Cut-Arbeitsraum

Der Cut-Arbeitsraum unterstützt einen schnellen, dynamischen Schnitt-Workflow, mit dem Sie Clips zügig und effizient zusammenstellen, trimmen, und bearbeiten können.

Zwei aktive Timelines lassen Sie ganze Edits sowie einzelne Abschnitte gleichzeitig bearbeiten. So können Sie Clips beliebig in einer großen Timeline platzieren und anschließend in derselben Arbeitsumgebung in einer detaillierten Timeline bearbeiten. Dieser Workflow ermöglicht das Schneiden und Arbeiten auf Laptops, ohne zu zoomen oder zu scrollen, was Ihnen viel Zeit spart.

Das Layout des Cut-Arbeitsraums

Wenn Sie den Cut-Arbeitsraum öffnen, werden der Media Pool (Medienspeicher), Viewer (Ansichtsfenster) und die Timeline eingeblendet. Diese drei primären Arbeitsbereiche geben Ihnen die volle Kontrolle über Ihren Edit.



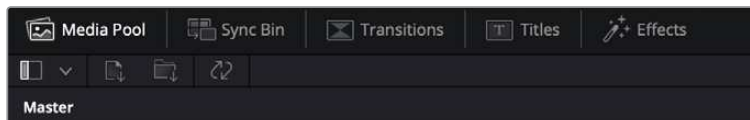
Im Cut-Arbeitsraum wird der Media Pool standardmäßig in der Icon-Ansicht dargestellt

Weitere Informationen zur Verwendung des Cut-Arbeitsraums finden Sie im Kapitel „Using the Cut Page“ des englischsprachigen DaVinci Resolve Handbuchs.

Media-Menü

Oben links auf der Bedienoberfläche befinden sich fünf Schaltflächen.

Per Klick auf diese Schaltflächen rufen Sie das Medientoolset für die Bearbeitung Ihres Edits auf. Die erste Schaltfläche ist dem Media Pool gewidmet, der bereits ausgewählt ist. Über die anderen Schaltflächen werden die Sync Bin, Übergänge, Titel und Effekte aufgerufen.



- **Media Pool:** Der Media Pool enthält alle von im Media-Arbeitsraum importierten Clips, Ordner und Dateien. Wenn Sie einen neuen Clip importieren möchten, ist der Dateimport auch direkt im Cut-Arbeitsraum möglich, ohne in den Media-Arbeitsraum zurückkehren zu müssen.
- **Sync Bin:** Diese leistungsstarke Funktion synchronisiert alle Ihre Clips automatisch nach Timecode, Datum und Uhrzeit. So können Sie in Mehrkameraprojekten aus allen Kamerawinkeln wählen.
- **Transitions:** Über die Transitions-Schaltfläche daneben gelangen Sie zu den Video- und Audioübergängen, die Sie in Ihrem Edit anwenden können. Sie umfassen gängige Übergänge wie Überblendungen und Wischblendungen.
- **Titel:** Neben den Übergängen befindet sich die Titel-Schaltfläche. Hier können Sie einen Titeltyp auswählen. Möglich sind z. B. Roll- oder Kriechtexte, Vollbildtexte oder Bauchbinden. Darüber hinaus gibt es eine Liste mit Fusion-Titelvorlagen für stärker animierte dynamische Titel, die im Fusion-Arbeitsraum von DaVinci Resolve eigens definiert werden können.
- **Effekte:** Die fünfte Schaltfläche ist den Effekten gewidmet. Hier gibt es sämtliche Filter und Effekte wie individualisierbare Weichzeichnungs-, Leucht- und Blendeneffekte, mit denen Sie Ihren Edit lebendiger gestalten können. Es stehen zahlreiche wirkungsvolle Effekte zur Auswahl, die Sie über die Suchfunktion schnell finden.

TIPP Über das Suchfeld rechts unterhalb der Registerkarten finden Sie exakt Ihr gewünschtes Element. Wenn Sie z. B. für Übergänge die Transitions-Schaltfläche geöffnet haben und „Dissolve“ in das Suchfeld eingeben, werden ausschließlich Überblendungen im Viewer angezeigt, was Ihre Suche nach Dissolve-Übergängen beschleunigt.




Viewer-Menü

In der oberen linken Ecke des Viewers finden Sie Buttons für die verschiedenen Ansichtsmodi.



Ansichtsmodus-Buttons

Diese Buttons bestimmen, welcher Viewer aktiviert werden soll. Es gibt die Optionen „Source Clip“, „Source Tape“ und „Timeline“ (Quellclip, Quellband und Timeline). Diese Ansichtsmodi geben Ihnen beträchtliche Kontrolle bei der Clipauswahl für Ihren Edit, weshalb Sie sich Ihre Funktionsweise kurz anschauen sollten.



	Source Clip	Der „Source Clip“-Viewer dient der Sichtung eines einzelnen Quellclips aus dem Media Pool. Er unterstützt das Setzen von In- und Out-Punkten entlang der gesamten Viewer-Timeline. Das bringt mehr Kontrolle. Wählen Sie einen Quellclip zur Sichtung aus. Doppelklicken Sie dafür auf einen Clip im Media Pool oder ziehen Sie ihn direkt ins Viewer-Fenster.
	Source Tape	Der „Source Tape“-Viewer dient der Ansicht aller Quellclips im Media Pool. Diese leistungsstarke Funktion ist nützlich, wenn Sie auf der Suche nach einem bestimmten Ereignis schnell alle Ihre Clips durchsehen wollen. Wenn Sie die Clips im Viewer mit dem Abspielkopf durchlaufen, werden die entsprechenden Thumbnails im Media Pool ebenfalls mit ausgewählt. Wenn Sie also Ihren zu bearbeitenden Clip gefunden haben, können Sie auf die „Source Clip“-Schaltfläche klicken, woraufhin der dazugehörige Quellclip automatisch im Viewer erscheint. Mit dem „Source Tape“-Viewer profitieren Sie voll vom nichtlinearen Schnitt und verschaffen sich die Freiheit, Edits zu bearbeiten, Shots schnell zu finden und Neues auszuprobieren, während Sie mitten im Geschehen bleiben.
	Timeline	Im Timeline-Viewer können Sie die Schnitt-Timeline betrachten, um Projekte wiederzugeben und Edits zu verfeinern.

Clips in den Media Pool importieren

Jetzt können Sie damit beginnen, Medien in Ihr Projekt zu importieren. Sie tun das im Cut-Arbeitsraum mithilfe der Import-Tools, die sich am oberen Rand des Media-Pool-Fensters befinden.



Wählen Sie eine der Importoptionen aus, um Medien zu Ihrem Projekt hinzuzufügen

	Import Media	Diese Option importiert einzelne Mediendateien von einem vorgegebenen Speicherort.
	Import Media Folder	Wählen Sie diese Option, um einen ganzen Ordner von Ihrem Medienspeicherort zu importieren. Beim Importieren von Ordnern behält DaVinci Resolve die Ordnerstruktur bei und behandelt jeden Ordner als separate Bin. So können Sie zum Auffinden von Videos und anderen Dateien durch Bins navigieren.

So importieren Sie Medien:

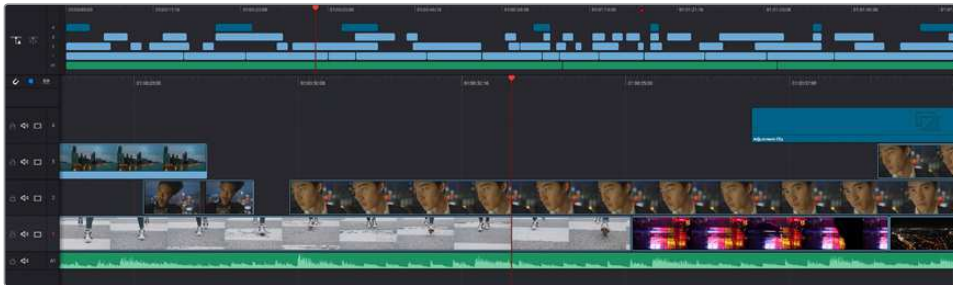
- 1 Klicken Sie auf das Icon „Import File“ oder „Import Media Folder“.
- 2 Navigieren Sie zu dem Medienspeicherort, wo sich Ihre zu importierenden Medien befinden.
- 3 Wählen Sie die Datei oder den Ordner aus und bestätigen Sie mit „Open“.

Wenn Sie Medien zu Ihrem Projekt hinzugefügt haben, empfiehlt es sich, diese Änderungen zu speichern. DaVinci Resolve hat eine automatische Speicherfunktion namens „Live Save“, die Ihr Projekt schnell und fortwährend speichert. Ist Ihr Projekt einmal gespeichert, wird mit der Live-Save-Funktion jede weitere Änderung automatisch neu gespeichert. So geht keine Arbeit verloren.

Weitere Informationen zu „Live Save“ und anderen Speicherfunktionen finden Sie im englischsprachigen DaVinci Resolve Handbuch.

Einfügen von Clips in die Timeline

Nachdem Sie die Medien-Registerkarten und Buttons für die Viewer-Modi kennengelernt haben, können Sie nun den Media Pool öffnen und Clips direkt zu Ihrer Timeline hinzufügen.



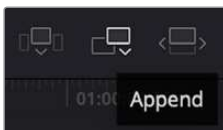
Die Timeline im Cut-Arbeitsraum mit der oberen und der herangezoomten Timeline darunter

In der Timeline stellen Sie Ihren Edit zusammen. Wie an einem Reißbrett können Sie hier Spuren mit Clips versehen, Clips verschieben und Edits trimmen. Mithilfe von Spuren lassen sich Clips in Ebenen anordnen. Das bietet mehr Flexibilität, um unterschiedliche Edits auszuprobieren und Übergänge und Effekte zu erstellen. Zum Beispiel könnten Sie in einem Edit einen Clip in eine Spur platzieren, ohne dass dieser die Clips auf den anderen Spuren darunter beeinflusst.

Clips können auf unterschiedliche Weise zur Timeline hinzugefügt werden. Es gibt „Smart Insert“, „Append“, „Place on top“ und andere Methoden.

Hinzufügen von Clips per Append

Wenn Sie Takes auswählen und einen Edit zusammenstellen, empfiehlt es sich, Shots nacheinander in die Timeline einzufügen. Das „Append“-Tool eignet sich für diesen Zweck und ermöglicht Ihnen schnelles Editieren.



Klicken Sie auf das „Append“-Icon, um Clips im Schnellverfahren nach dem letzten Clip einzufügen

So fügen Sie einen Clip per „Append“ ein:

- 1 Doppelklicken Sie auf einen Clip im Media Pool, um ihn im Viewer zu öffnen.
- 2 Setzen Sie mit dem sogenannten Scratch-Trim-Tool In- und Out-Punkte, um einen bestimmten Abschnitt in Ihrem Shot zu markieren. In- und Out-Punkte können auch mit den I- und O-Tasten auf Ihrer Tastatur gesetzt werden.

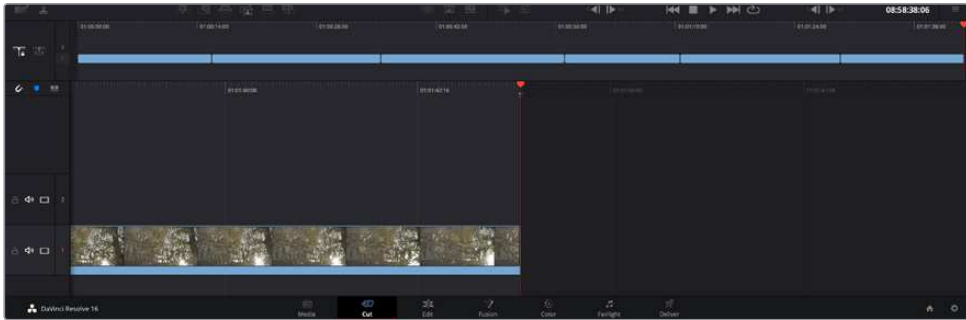


- 3 Klicken Sie nun unterhalb des Media Pools auf das „Append“-Icon.



Der erste Clip wird am Anfang der Timeline platziert.

Wiederholen Sie zum Einfügen weiterer Clips Schritte 1 bis 3. Damit in der Timeline keine Lücken entstehen, werden die Clips automatisch am Ende angehängt.



Per „Append“ werden Clips verlässlich ohne Lücken in die Timeline eingefügt

TIPP Dieser Vorgang lässt sich weiter beschleunigen, indem Sie dem „Append“-Icon einen Tastaturbefehl zuweisen. Wenn Sie beispielsweise die P-Taste zuweisen, können Sie Ihre In- und Out-Punkte mit den I- und O-Tasten vorgeben und den Clip anschließend durch Drücken der P-Taste am Ende anhängen. Weitere Informationen zur Vergabe von Tastaturkürzeln finden Sie im englischsprachigen DaVinci Resolve Handbuch.

Bearbeiten von Clips in der Timeline

Befinden sich Ihre Clips erst einmal in der Timeline, haben Sie die volle Kontrolle über sie. Sie können Sie umherbewegen und Edits trimmen.

Halten Sie zum Trimmen eines Edits die Maus über den Anfang oder das Ende eines Clips und klicken und ziehen Sie mit gedrückter Maustaste nach links oder rechts. Indem Sie bspw. das Ende eines Clips nach links oder rechts ziehen, verlängern oder verkürzen Sie ihn. Sie werden merken, dass alle Clips im Anschluss an diesen Edit in der Timeline nachrücken, um die Änderung zu ermöglichen. Dies ist nur eine Methode, mit der der Cut-Arbeitsraum Ihnen Zeit spart.

Sie können den Clip auch mit der Maus greifen und in eine neue Videospur der großen Timeline platzieren, ohne zoomen zu müssen. Das beschleunigt den Editingprozess, weil die Navigation durch lange Timelines minimiert wird.

Wenn Sie Ihre Clips im Cut-Arbeitsraum fertig bearbeitet haben, möchten Sie vielleicht noch einen Titel hinzufügen. Im nächsten Abschnitt erfahren Sie, wie das geht.

Hinzufügen von Titeln

Es geht leicht, einen Titel in Ihre Timeline einzufügen. Dazu gibt es mehrere Möglichkeiten.

Um die verschiedenen verfügbaren Titeltypen zu sehen, klicken Sie im Media-Bereich oben links auf der Bedienoberfläche auf die Registerkarte „Titles“. Im Auswahlfenster werden alle verfügbaren Titelgeneratoren wie Bauchbinden, Rolltitel und regulärer Text angezeigt. Sie können sogar beliebige Titel aus Fusion hinzufügen. Dabei handelt es sich um animierte individualisierbare Titel.

Als Beispiel eignet sich der Standardtext.

Diesen fügen Sie wie folgt hinzu:

- 1 Klicken Sie auf den „Text“-Titel und ziehen Sie ihn in die Timeline. Das ist in beiden Timelines möglich, doch für mehr Präzision empfehlen wir die detaillierte Timeline zu verwenden. Mit dieser Aktion wird automatisch eine neue Videospur erstellt und der Titel rastet am Abspielkopf ein.
- 2 Mit dem Loslassen der Maustaste erscheint der Titel in der neuen Spur. Sie können ihn nun wie jeden anderen Videoclip verschieben und seine Länge verändern.
- 3 Klicken Sie zum Bearbeiten des Titels auf den neuen Titelclip, sodass unterhalb des Clip-Viewers ein Werkzeug-Icon erscheint. Klicken Sie auf dieses Werkzeug-Icon.

Das Anklicken ruft mehrere Tools auf, mit denen Sie den Titelclip bearbeiten können. Zum Beispiel gibt es Transform, Crop und Dynamic Zoom (Transformieren, Beschneiden, Dynamischer Zoom). Für das vorliegende Beispiel klicken Sie auf das Titel-Tool.

- 4 Anschließend klicken Sie auf „Open Inspector“.

Das Inspector-Fenster wird geöffnet, in dem Sie Ihren Titeltext eingeben und Text Einstellungen wie Tracking, Zeilenabstand, Schriftart, Schriftfarbe und mehr bearbeiten können.

Es gibt zahlreiche Möglichkeiten, Ihren Titeltext exakt nach Wunsch zu individualisieren. Es empfiehlt sich mit den unterschiedlichen Einstellungen zu spielen, um zu sehen, wie sie die Erscheinung und Form Ihres Titels beeinflussen.

Mit Blackmagic-RAW-Dateien arbeiten

Blackmagic-RAW-Clips geben Ihnen in der Postproduktion maximalen Spielraum. So können Sie Änderungen an Ihren Clips – bspw. am Weißabgleich und an den ISO-Werten – vornehmen, als würden Sie die ursprünglichen Kameraeinstellungen ändern. Wenn Sie mit Blackmagic RAW arbeiten, bewahren Sie überdies mehr Tonwerte in den Schatten und Spitzlichtern. Das ist sehr praktisch, wenn es gilt, Einzelheiten wiederherzustellen, wie bspw. in einem überbelichteten Himmel oder in den dunklen Bereichen des Bildes.

Das Filmen in Blackmagic RAW zahlt sich aus, wo die bestmögliche Qualität angestrebt wird. Das Gleiche gilt für Einstellungen mit extremen Kontrasten zwischen Spitzlichtern und Schatten, da Sie diese Bereiche beim späteren Grading eventuell optimieren müssen.

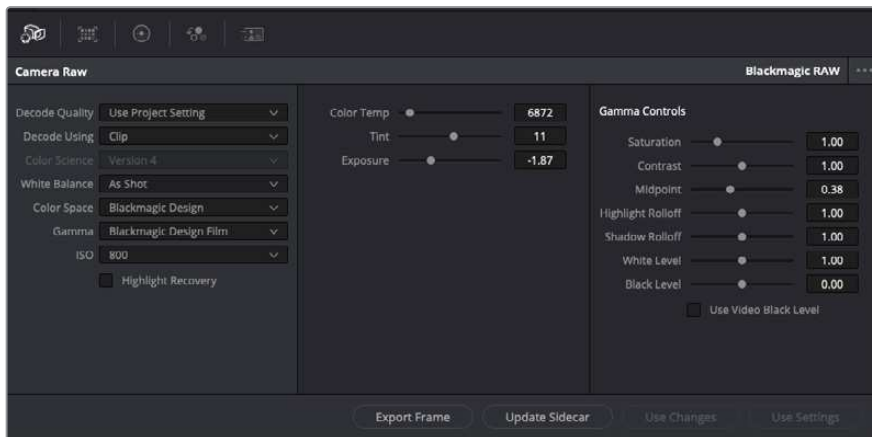
Dank der Geschwindigkeit und kleinen Dateien von Blackmagic RAW brauchen Sie keine Proxydateien mehr zu erstellen, da Blackmagic-RAW-Dateien wie reguläre Videoclips wiedergegeben werden. Dieser Abschnitt der Bedienungsanleitung befasst sich mit den Funktionsmerkmalen von Blackmagic RAW und dem Umgang mit Blackmagic-RAW-Dateien in Ihrem DaVinci Resolve Workflow.

TIPP Es ist gängige Praxis, die Blackmagic-RAW-Einstellungen für Ihre Clips im Color-Arbeitsraum anzupassen, bevor Sie mit der Farbkorrektur beginnen.

Clip-Einstellungen für Blackmagic RAW

Beim Importieren von Blackmagic-RAW-Dateien entschlüsselt DaVinci Resolve die in diesen Dateien enthaltenen Kameradaten. Die Software verwendet dann die zur Zeit der Aufzeichnung eingestellten ISO-, Weißabgleichs- und Farbtonwerte. Wenn Ihnen der mit diesen Einstellungen erzielte Look gefällt, können Sie sofort mit dem Schnitt beginnen.

Der große Vorteil des Filmens in Blackmagic RAW liegt darin, dass man nicht an diese Einstellungen gebunden ist. Die mit Blackmagic-RAW-Dateien in der Postproduktion gegebenen vielfältigen Möglichkeiten erlauben Ihnen, im Laufe der Zeit einen eigenen Arbeitsfluss zu entwickeln. Beim Experimentieren mit den „Clip“-Einstellungen einzelner Clips werden Sie im „Camera Raw“-Tab sehen, wie vielseitig und flexibel die Arbeit mit Blackmagic RAW sein kann.



Um Anpassungen an den Blackmagic-RAW-Einstellungen Ihres Clips vorzunehmen, wählen Sie im „Camera Raw“-Tab aus dem Drop-down-Menü „Decode Using“ (Dekodieren mit) die Option „Clip“ aus

Sobald Sie die Clip-Einstellungen für Blackmagic RAW in DaVinci Resolve aktiviert haben, können Sie die Clip-Einstellungen und Gamma-Bedienelemente anpassen. Durch Anpassen dieser Einstellungen können Sie Ihre Clips annähernd so gut optimieren wie mit einer vollständigen primären Farbkorrektur. Das ist besonders dann wirkungsvoll, wenn Sie mit den Scopes in DaVinci Resolve arbeiten. Vor der Anwendung eines Looks können Sie so Ihre Clips neutralisieren und abstimmen.

Nachstehend werden die Clip- und Gamma-Bedienelemente im Einzelnen beschrieben.

ISO

Das Erhöhen oder Verringern dieser Einstellung passt den ISO-Wert an. Das ist nützlich, wenn Sie einen Clip zur Optimierung insgesamt heller oder dunkler setzen möchten.

Highlight Recovery

Aktivieren Sie diese Funktion, wenn Sie Highlight-Angaben in Clipkanälen mit abgeschnittenen Videoüberpegeln mithilfe von Informationen aus nicht abgeschnittenen Kanälen wiederherstellen möchten.

Color Temp

Passen Sie die Farbtemperatur an, um das Bild wärmer oder kühler zu machen. Mithilfe dieser Einstellung neutralisieren Sie die Farbbalance eines Bildes.

Tint

Durch Anpassen der Tönung wird dem Bild Grün oder Magenta hinzugefügt, um die Farben auszugleichen.

Exposure

Diese Einstellung hebt die Helligkeit im Bild insgesamt an.

Saturation

Die Sättigungsregler reichen von -1 für die geringste Sättigung bis +4 für maximale Sättigung. Der Standardwert ist 1.

Contrast

Der Standardwert ist 1. Der geringste Kontrast liegt bei 0, der stärkste bei 2. Ziehen Sie den Regler nach links, um den Kontrast zu reduzieren bzw. nach rechts, um ihn zu erhöhen.

Midpoint

Im Modus „Blackmagic Design Film“ liegt der standardmäßige Graustufenwert bei 0,38 bzw. 38,4 %. Ziehen Sie den Regler nach links, um die Mitteltöne zu reduzieren oder nach rechts, um sie auf max. 100 % anzuheben. Wenn der Kontrast auf einen anderen als den Standardwert angepasst wird, können Sie Ihre Werte für Highlight- und Shadow-Rolloff modifizieren.

Highlight Rolloff

Sie justieren die Lichter, indem Sie den Regler nach links ziehen, um sie zu reduzieren (0 ist der niedrigste Wert) oder nach rechts, um sie hochzufahren (2 ist der höchste Wert). Der Standardwert liegt bei 1.

Shadow Rolloff

Ziehen Sie den Regler nach links, um die Schatten auf 0 zu reduzieren oder nach rechts, um sie auf 2 anzuheben.

White Level

Sie justieren den Weißpunkt in der Gammakurve, indem Sie den Regler vom Höchstwert 2 auf den Tiefstwert 0 ziehen. Der Standardwert liegt bei 1.

Black Level

Sie heben den Schwarzpunkt in der benutzerdefinierten Gammakurve an, indem Sie den Regler nach rechts ziehen. -1 ist der niedrigste Wert, 1 der höchste. Der Standardwert liegt bei 0.

Use Video Black Level

Um die Schwarzwerte auf „Video“ zu setzen, aktivieren Sie dieses Kontrollkästchen.

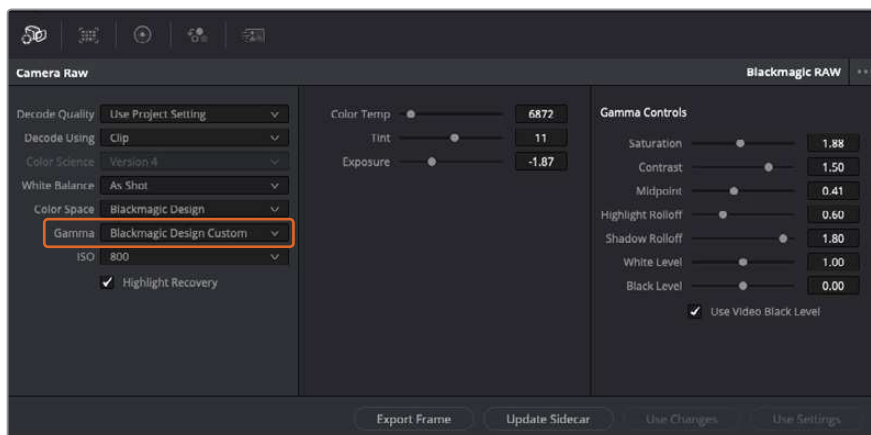
Export Frame

Durch Klicken des Buttons „Export Frame“ können Sie einen einzelnen Frame aus dem Blackmagic-RAW-Clip exportieren.

Update Sidecar

Klicken Sie diesen Button, um die Filialdatei für den aktuellen Clip zu aktualisieren.

An Ihren Blackmagic-RAW-Clips vorgenommene Änderungen sind daran erkennbar, dass Gamma zur benutzerdefinierten Einstellung „Blackmagic Design Custom“ wechselt.



Wenn Sie Ihren Clip wieder auf eine der verfügbaren Gamma-Standardoptionen zurücksetzen möchten, wählen Sie diese aus dem Gamma-Drop-down-Menü aus

TIPP Für Footage, die mit dem „Video“-Dynamikumfang gefilmt wurde, sind die Gamma-Bedienelemente deaktiviert. Ihre Blackmagic-RAW-Daten sind jedoch nicht verloren gegangen. Wählen Sie im Drop-down-Menü „Gamma“ einfach „Blackmagic Design Film“ oder „Blackmagic Design Extended Video“ aus und nehmen Sie Ihre Änderungen vor.

Änderungen an Blackmagic RAW speichern

- 1 Passen Sie die Gamma-Bedienelemente Ihres Blackmagic-RAW-Clips an.
- 2 Klicken Sie auf den Button „Update Sidecar“.

Nun wird in dem Ordner mit Ihrer BRAW-Datei eine Filialdatei, sprich Sidecar-Datei, generiert. Importieren andere Nutzer die Blackmagic-RAW-Dateien, so liest DaVinci Resolve automatisch die Sidecar-Dateien. Wenn Sie weitere Änderungen vornehmen, klicken Sie erneut auf „Update Sidecar“.

TIPP Sie können eine Sidecar-Datei entfernen, indem Sie sie aus dem Ordner auf Ihrem Medienlaufwerk löschen.

Projekteinstellungen für Blackmagic RAW

Wenn Sie für alle Clips eine gemeinsame Einstellung ändern müssen, wie z. B. eine globale Änderung für Weißabgleich oder ISO, können Sie für Ihre Clips projektbezogene „Camera Raw“-Einstellungen vorgeben und die globalen Änderungen von hier aus vornehmen.

So geben Sie Projekteinstellungen für Blackmagic RAW vor:

- 1 Öffnen Sie das Projekteinstellungsmenü, indem Sie auf „File“ und dann auf „Project Settings“ klicken.
- 2 Unter dem „Camera Raw“-Tab sehen Sie ein Drop-down-Menü. Um Blackmagic RAW aus der Liste auszuwählen, klicken Sie auf den Pfeil.
- 3 Wählen Sie im Drop-down-Menü „Decode Using“ (Dekodieren mit) die Option „Project“ (Projekt) aus.
- 4 Geben Sie für den Weißabgleich „Custom“ (Benutzerdefiniert) vor.
- 5 Wählen Sie aus dem Drop-down-Menü für „Gamma“ die Option „Blackmagic Design Custom“ aus. Wählen Sie für „Color Space“ die Farbraum-Option „Blackmagic Design“ aus. Dies bewirkt auch, dass „Gamma“ auf „Blackmagic Design Film“ eingestellt wird.
- 6 Wählen Sie im „Decode Quality“-Menü Ihre Auflösung aus. Eine geringere Auflösung gibt Ihnen auf weniger leistungsstarken Systemen eine bessere Wiedergabe. Sie haben die Flexibilität, dies später auf volle Auflösung zu ändern, um Ihr Material in der höchsten Qualität auszugeben.

Jetzt können Sie die Kameraeinstellungen wie Sättigung, Kontrast und Mitteltöne für Ihre Clips anpassen. Dies wirkt sich auf alle Clips in Ihrem Projekt aus, für die die Decodieroption „Project“ ausgewählt ist.

Farbkorrektur von Clips im Color-Arbeitsraum

Nachdem Sie Ihre Clips in die Timeline importiert und mit Titeln versehen haben, können Sie zur Farbkorrektur in den Color-Arbeitsraum übergehen. Dieser Arbeitsbereich ist überaus leistungsstark und kann den gesamten Look Ihres Films bestimmen. Für das vorliegende Beispiel empfiehlt es sich jedoch, alle Clips zu neutralisieren und sie damit einheitlich zu gestalten. Sie können jederzeit in den Cut- oder Edit-Arbeitsraum zurückkehren, um an Ihrem Edit Änderungen vorzunehmen.

Im Color-Arbeitsraum macht vor allem der Look Ihres Edits eine Veränderung durch. Die Farbkorrektur ist in vielerlei Hinsicht eine Kunstform und Sie bringen sich dabei gefühlsmäßig ein. Sie ist ein unglaublich kreativer Teil des gesamten Workflows und es ist äußerst zufriedenstellend, diese Fähigkeiten zu erlernen und Ihre Arbeit zum Leben zu erwecken. Dies ist in der Regel der erste Bearbeitungsschritt, der als primäre Farbkorrektur oder als Anpassung der Primärfarbwerte bekannt ist. Wenn die primäre Farbkorrektur steht, können Sie zur sekundären Farbkorrektur übergehen. Hier sind höchst präzise Farbanpassungen bestimmter Elemente in Ihren Bildern möglich. Dieser spaßige Teil passiert normalerweise im Anschluss an die primären Anpassungen, da dies den Arbeitsablauf effizienter macht und zu einem besseren Ergebnis führt.

Klicken Sie zunächst auf den „Color“-Tab, um den Color-Arbeitsraum zu öffnen.

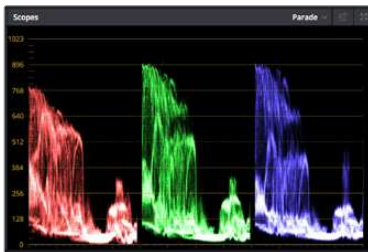
Dort finden Sie die Camera-RAW-Einstellungen, Farbräder, Kurven und generelle Farbkorrektur-Tools sowie die Fenster „Preview“ für die Vorschau und „Nodes“ für Operatoren. Lassen Sie sich von der riesigen Auswahl an Features nicht abschrecken. Mit ihnen werden Sie die großartigsten Bilder schaffen. In diesem

Abschnitt lernen Sie die ersten Schritte und Grundlagen. Ausführlichere Informationen finden Sie in den entsprechenden Abschnitten des englischsprachigen DaVinci Resolve Handbuchs. Dort erfahren Sie Schritt für Schritt, wofür die Tools da sind und wie man sie benutzt. Sie erlernen dieselben Techniken, die Profis in Highend-Farbkorrekturstudios anwenden.

Im Rahmen der primären Farbkorrektur werden in Ihren Clips in der Regel zuerst die Pegel für Schatten, Mitteltöne und Lichter optimiert. Sie justieren also die Einstellungen für „Lift“, „Gamma“ und „Gain“ (Schatten-, Mittel- und Weißtonwerte). So bringen Sie Ihre Bilder auf einen ausgewogenen Ausgangspunkt mit optimaler Leuchtstärke und Klarheit. Von hier können Sie durch farbiges Grading einen Look für Ihren Film erarbeiten. Für die Pegeloptimierung eignen sich die Scopes.

Verwenden von Scopes

Die meisten Coloristen treffen kreative Farbentscheidungen, indem Sie sich auf die Emotionen und den Look konzentrieren, den sie ihrem Programm verleihen möchten. Mithilfe des Monitors arbeiten sie dann daran, dies umzusetzen. Sehen Sie sich alltägliche Gegenstände an, und wie unterschiedliche Lichtquellen auf sie einwirken. Sie werden erfahrener und geübter darin, was sich aus Ihren Bildern machen lässt.



Optimieren Sie anhand des Parade-Scopes die Lichter, Mitteltöne und Schatten

Ein weiterer Weg der Farbkorrektur, ist der Gebrauch von eingebauten Scopes, um Ihre Aufnahmen abzugleichen. Sie können ein einzelnes Videoskop öffnen, indem Sie auf die „Scope“-Schaltfläche klicken, die sich in der Toolbar an zweiter Stelle von rechts befindet. Zur Auswahl stehen Scopes für Wellenform, Parade und Histogramm sowie ein Vektorskop. Überprüfen Sie anhand dieser Scopes die Klangbalance und die Pegel Ihres Videos, um ein Stauchen der Schwarz- und ein Clipping der Weißwerte zu verhindern. Zusätzlich können Sie Ihre Clips auf Farbstiche untersuchen.

Im Farbrad-Menü befinden sich die Steuerelemente für „Lift“, „Gamma“ und „Gain“, die Sie üblicherweise als Erstes anpassen. Wenn Sie Erfahrungen im Colorgrading mitbringen, werden Ihnen die Bedienelemente für Farb- und Kontrastanpassungen bekannt vorkommen.



Die Farbräder „Lift“, „Gamma“, „Gain“ und „Offset“ geben Ihnen die volle Kontrolle über die farbliche und tonale Balance Ihrer Clips. Ziehen Sie das Einstellrad unter den Farbrädern hin und her, um die Farben jedes einzelnen tonalen Bereichs einheitlich anzupassen

Um die Farben mit der Maus noch akkurater zu steuern, können Sie in der „Color Wheels“-Palette von den Farbrädern „Primary Wheels“ zu den Farbbalken „Primary Bars“ wechseln. Mit ihnen lassen sich jede Farbe

und jeder Luminanzkanal für Schatten, Mitten und Lichter separat einstellen. Wählen Sie hierfür im Drop-down-Menü der Farbrad-Palette „Color Wheels“ oben rechts einfach die Option „Primaries Bars“ aus.

- **Anpassen von „Lift“ (Schwarzöne):** Wählen Sie einen Clip in der Farb-Timeline aus und klicken Sie auf die „Lift“-Skala unterhalb des ersten Farbrads. Schieben Sie das Einstellrad vor und zurück und beobachten Sie die Auswirkungen auf Ihr Bild. Sie werden sehen, wie die Helligkeit der dunklen Bereiche Ihres Bildes zu- und abnimmt.

Stellen Sie sie so ein, dass die dunklen Bereiche optimal aussehen. Wenn Sie die Schwarzwerte zu sehr verringern, gehen womöglich Details im Schwarzbereich verloren. Dies lässt sich mithilfe des Parade-Scopes verhindern. Die optimale Position von Schwarzönen im Kurvenverlauf befindet sich direkt über der unteren Linie des Parade-Scopes.

- **Anpassen von „Gain“ (Weißöne):** Klicken Sie auf das Einstellrad für „Gain“ und schieben Sie es hin und her. Dies justiert die Lichter, womit die hellsten Bereiche in Ihrem Clip gemeint sind. Die Lichter werden im oberen Abschnitt des Kurvenverlaufs im Parade-Scope angezeigt. Für eine gut beleuchtete Aufnahme bringt man diese am besten direkt unter die obere Linie des Wellenform-Scopes. Wenn die Lichter über die obere Linie des Wellenform-Scopes ausschlagen, werden sie abgeschnitten und es gehen Details in den hellsten Bereichen Ihres Bildes verloren.
- **Anpassen von „Gamma“ (Mitteltöne):** Klicken Sie auf das Einstellrad für „Gamma“ unter dem Farbrad und schieben Sie es hin und her. Wenn Sie die Mitteltonwerte erhöhen, sehen Sie, wie auch die Helligkeit Ihres Bildes zunimmt. Sie werden merken, dass sich beim Anpassen der Gammawerte auch der mittlere Abschnitt der Wellenform bewegt. Er steht für die Mitteltöne Ihres Clips. Die optimale Position für Mitteltöne fällt in der Regel zwischen 50–70 % im Wellenform-Scope. Dies ist jedoch Geschmackssache und hängt vom gewünschten Look und den Lichtverhältnissen im Clip ab.

Sie können anhand der Kurven-Feature auch primäre Farbkorrekturen vornehmen. Erstellen Sie per Klick einfach Steuerpunkte auf der diagonalen Linie im Kurvendiagramm und ziehen Sie diese nach oben oder unten, um die Haupteinstellungen des RGB-Kontrasts für verschiedene Tonwertbereiche im Bild anzupassen. Optimal anpassen lassen sich auf der Kurve im unteren Drittel, in der Mitte und im oberen Drittel liegende Punkte.

Es gibt noch viele andere Möglichkeiten der primären Farbkorrektur in DaVinci Resolve.



Die „Curves“-Palette ist ein weiteres Tool für primäre Farbkorrekturen oder um bei Verwendung eines Power Windows bestimmte Bereiche in Ihrem Clip zu optimieren

Sekundäre Farbkorrektur

Wenn Sie einen bestimmten Bereich Ihres Bildes verfeinern möchten, benutzen Sie sekundäre Farbkorrekturen. Ihre bisherigen an „Lift“, „Gamma“ und „Gain“ vorgenommenen Anpassungen haben sich auf das gesamte Bild ausgewirkt. Deshalb bezeichnet man sie als primäre Farbkorrekturen.

Um spezifische Bildpartien zu verfeinern, empfehlen sich sekundäre Farbkorrekturen, bspw. wenn Sie die Farbe von Gras in einer Szene verbessern oder das Blau des Himmels vertiefen wollen. Bei der sekundären Farbkorrektur wählt man einen spezifischen Bereich aus, den man dann isoliert bearbeitet. Mithilfe von Nodes lassen sich mehrere sekundäre Korrekturen übereinanderlegen. Damit können Sie einen Bereich Ihres Bildes bis zur Perfektion bearbeiten. Sie können sogar von Windows und Tracking Gebrauch machen. So kann Ihr ausgewählter Bereich Bewegungen in Ihren Bildern folgen.

Qualifizieren einer Farbe

Sie werden häufig feststellen, dass eine bestimmte Farbe in Ihrem Clip optimiert werden kann, z. B. Gras am Straßenrand oder das Blau des Himmels. Vielleicht empfiehlt sich auch die farbliche Justierung eines bestimmten Objekts, um die Aufmerksamkeit des Publikums darauf zu lenken. Mit dem HSL-Qualifizierer-Tool ist dies problemlos möglich.



Mit der HSL-Qualifizierer-Funktion können Sie bestimmte Farben in Ihrem Bild auswählen. Das ist praktisch, um bestimmte Bereiche hervorzuheben, den Kontrast zu erhöhen oder um die Aufmerksamkeit des Publikums auf bestimmte Bildbereiche zu lenken

So qualifizieren Sie eine Farbe:

- 1 Fügen Sie einen neuen „Serial Node“ (Serieller Node) hinzu.
- 2 Öffnen Sie das Qualifizierfenster „Qualifier“ und vergewissern Sie sich, dass das Pipetten-Tool im Auswahlabschnitt „Selection Range“ ausgewählt ist.
- 3 Klicken Sie in Ihrem Clip auf die zu bearbeitende Farbe.
- 4 In der Regel werden Sie einige Anpassungen vornehmen müssen, um ausgewählte Kanten weichzuzeichnen und den Bereich ausschließlich auf die gewünschte Farbe zu begrenzen. Klicken Sie über dem Viewer auf die Schaltfläche „Highlight“, um Ihre Auswahl sichtbar hervorzuheben.
- 5 Passen Sie im Farbton-Fenster „Hue“ die Bandbreite über „Width“ an und erweitern oder verengen Sie Ihre Auswahl.

Experimentieren Sie mit den Bedienelementen „High“, „Low“ und „Softness“, um Ihre Auswahl zu verfeinern. Nun können Sie Ihre ausgewählte Farbe mithilfe von Farbrädern oder benutzerdefinierten Kurven korrigieren.

Es kann vorkommen, dass Ihre Auswahl in Bildpartien hineinreicht, die nicht einbezogen werden sollen. Sie können die unerwünschten Bereiche mühelos mit einem Power Window ausmaskieren. Erstellen Sie dazu einfach ein neues Fenster und formen Sie es entsprechend, um lediglich den gewünschten Farbbereich auszuwählen. Wenn sich die ausgewählte Farbe in der Aufnahme bewegt, können Sie Ihr Power Window mithilfe der Tracking-Feature verfolgen.

Hinzufügen eines Power Windows

Power Windows sind ein extrem effektives Tool für die sekundäre Farbkorrektur zur Isolierung bestimmter Bereiche Ihres Clips. Diese Bereiche müssen nicht statisch sein und lassen sich auch bei einem Kameraschwenk oder einer Drehung sowie der Bewegung des Bereichs selbst verfolgen.



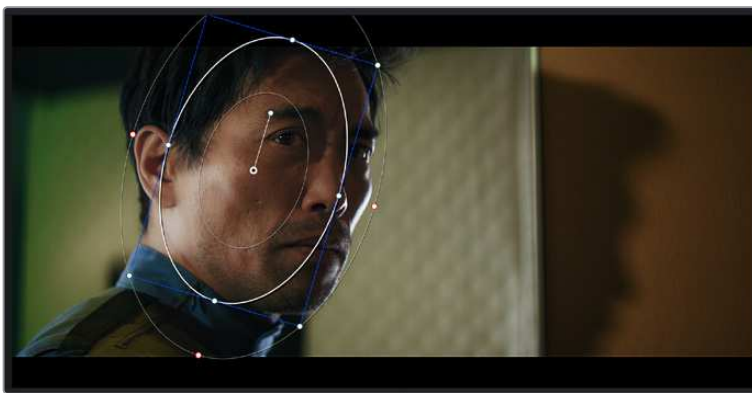
Power Windows dienen zum Ausmaskieren von Bereichen, die nicht von den sekundären HSL-Qualifizierer-Anpassungen berührt werden sollen

Mithilfe eines solchen Windows können Sie bspw. die Bewegungen einer Person verfolgen, um Farb- und Kontraständerungen ausschließlich an dieser Person vorzunehmen, ohne ihre Umgebung zu beeinflussen. Mit solchen Korrekturen können Sie die Aufmerksamkeit des Publikums auf bestimmte Bereiche lenken.

So fügen Sie Ihrem Clip ein Power Window hinzu:

- 1 Fügen Sie einen neuen „Serial Node“, einen seriellen Operator, hinzu.
- 2 Öffnen Sie die „Window“-Palette und wählen Sie eine Form für Ihr Power Window aus, indem Sie auf ein Form-Icon klicken. Das Window in der gewünschten Form erscheint nun im Node.
- 3 Passen Sie die Form an, indem Sie auf die blauen Punkte klicken und diese in Form ziehen. Entlang der roten Punkte werden die Kanten weichgezeichnet. Positionieren Sie die Form, indem Sie auf den Mittelpunkt klicken und sie auf den zu isolierenden Bereich schieben. Mit dem Punkt, der mit dem Mittelpunkt verbunden ist, lässt sich das Fenster rotieren.

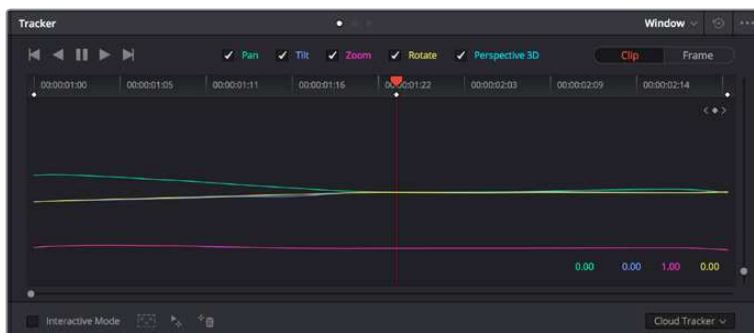
Nun können Sie Farbkorrekturen Ihres Bildes gezielt in dem Bereich vornehmen, den Sie bearbeiten möchten.



Power Windows lassen Sie in bestimmten Bereichen Ihres Bildes sekundäre Korrekturen vornehmen

Tracking mit einem Power Window

Die Kamera, das Objekt oder der Bereich in Ihrer Einstellung bewegt sich gegebenenfalls. Um sicherzustellen, dass das Power Window auf dem ausgewählten Objekt oder Bereich haften bleibt, nehmen Sie das leistungsstarke Tracking-Tool von DaVinci Resolve zu Hilfe. Der Tracker analysiert die Schwenk-, Neige-, Zoom- und Rotationsbewegung der Kamera oder des Objekts in Ihrem Clip, womit Sie Ihr Window der Bewegung anpassen. Geschieht dies nicht, erfolgt Ihre Korrektur ggf. außerhalb des vorgegebenen Zielbereichs und fällt unnötig auf, was vermutlich unerwünscht ist.



Mithilfe der Tracking-Funktion können Sie Objekte oder Bereiche in Ihrem Clip verfolgen. Power Windows folgen dann der Bewegung

So verfolgen Sie ein sich bewegendes Objekt mit einem Power Window:

- 1 Erstellen Sie einen neuen „Serial Node“ und fügen Sie diesem ein Power Window hinzu.
- 2 Gehen Sie zum Anfang Ihres Clips, positionieren Sie ein Power Window auf dem gewünschten Objekt oder Bereich und passen Sie seine Größe an.
- 3 Öffnen Sie die „Tracker“-Palette. Wählen Sie die geeigneten Schwenk-, Neige-, Zoom-, Rotations- und 3D-Einstellungen für die Bewegung in Ihrem Clip aus, indem Sie in die jeweiligen „Analyse“-Kontrollkästchen ein Häkchen setzen oder es entfernen.
- 4 Klicken Sie auf den Vorwärtspfeil links von den Dialogboxen. DaVinci Resolve wendet nun ein Cluster mit Tracking-Punkten auf Ihren Clip an und durchläuft dann die Frames, um Bewegung zu analysieren. Nach abgeschlossenem Tracking-Vorgang verfolgt Ihr Power Window die Bewegungen in Ihrem Clip.

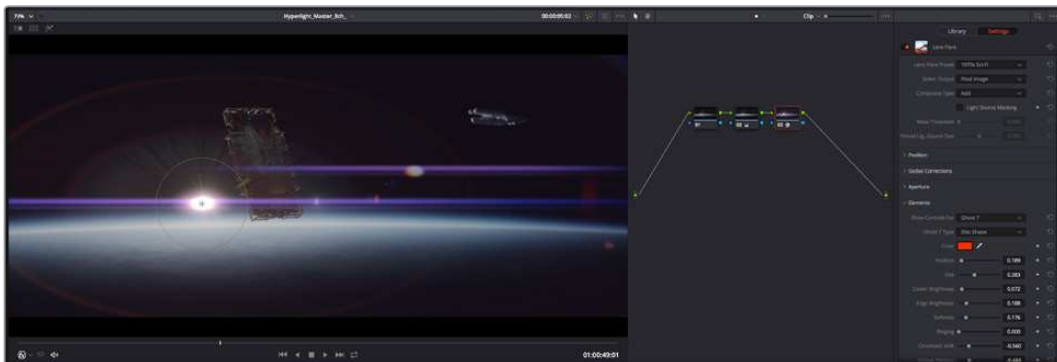
In den meisten Fällen funktioniert das automatische Tracking erfolgreich. In komplexen Szenen kann es jedoch vorkommen, dass sich ein Objekt an Ihrem ausgewählten Bereich vorbei bewegt und damit das Tracking unterbricht oder stört. Dies kann manuell mithilfe des Keyframe-Editors gelöst werden. Näheres dazu finden Sie im englischsprachigen DaVinci Resolve Handbuch.

Mit Plug-ins arbeiten

Während der sekundären Farbkorrektur können Sie außerdem ResolveFX- oder OpenFX-Plug-ins hinzufügen. Damit lassen sich im Color-Arbeitsraum schnelle, interessante Looks und Effekte oder im Edit-Arbeitsraum einfallsreiche Übergänge für Ihre Clips kreieren. ResolveFX sind bereits in DaVinci Resolve installiert. OpenFX-Plug-ins sind bei Fremdanbietern zum Download erhältlich.

Nach erfolgter Installation eines Satzes von OpenFX-Plug-ins greifen Sie auf diese OFX- oder die ResolveFX-Plug-ins über den Color-Arbeitsraum zu. Öffnen Sie hierfür den OpenFX Inspector rechts neben dem Node-Editor. Erstellen Sie zunächst einen seriellen Node. Öffnen Sie dann per Klick auf den „OpenFX“-Button die Effektbibliothek und ziehen Sie ein Plug-in per Drag-and-drop auf den Node. Verfügt das Plug-in über eigene Einstellungen, können Sie diese im angrenzenden „Settings“-Menü ändern.

Im Edit-Arbeitsraum können Sie Clips mit Plug-in-Filtern und Übergängen versehen, indem Sie das „OpenFX“-Menü in der „Effects Library“ öffnen und das gewünschte Plug-in auf die Videospur Ihres Clips in der Timeline ziehen.



OFX-Plug-ins bieten eine schnelle und einfache Möglichkeit, einfallsreiche und interessante Looks zu kreieren

Mixen von Ton

Tonmischen im Edit-Arbeitsraum

Sobald Sie Ihr Projekt geschnitten und farblich bearbeitet haben, können Sie mit dem Mischen von Ton beginnen. DaVinci Resolve bietet direkt im Edit-Arbeitsraum eine praktische Auswahl an Features zum Schneiden, Mixen und Mastern von Audio. Werden für Ihr Projekt noch ausgeklügeltere Audiotools benötigt, haben Sie im Fairlight-Arbeitsraum Zugriff auf eine komplette Postproduktionsumgebung für Ton. Wenn Sie bereits mit dem Edit-Arbeitsraum vertraut sind und direkt mit Fairlight weitermachen wollen, überspringen Sie diesen Abschnitt.

Hinzufügen von Audiospuren

Wenn Sie im Edit-Arbeitsraum arbeiten und einen elementaren Tonschnitt mit vielen Toneffekten und Musik mischen wollen, können Sie bei Bedarf mühelos weitere Audiospuren hinzufügen. Das kann praktisch sein, wenn Sie Ihren Sound bauen und Ihre Audioelemente für einen Soundmix auf unterschiedliche Spuren verteilen möchten, wie bspw. Gesang, Toneffekte und Musik.

Hinzufügen einer Audiospur im Edit-Arbeitsraum

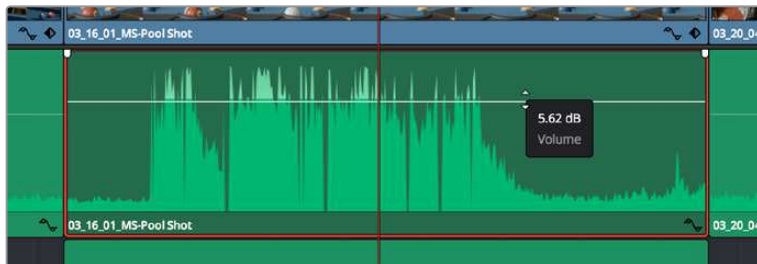
Führen Sie neben dem Namen einer Audiospur in Ihrer Timeline einen Rechtsklick aus und wählen Sie „Add Track“ sowie eine der Optionen „Mono“, „Stereo“ oder „5.1“. Dies fügt unten in der Track-Liste eine Spur hinzu. Wählen Sie alternativ „Add Track“ und anschließend die Position, an der eine oder mehrere neue Spuren eingefügt werden sollen.

Ihre neue Audiospur erscheint nun in der Timeline.

TIPP Wenn Sie einen Spurtyp im Nachhinein ändern möchten, wählen Sie neben dem Spurnamen per Rechtsklick den Befehl „Change track type to“ und dann aus den Optionen „Stereo“, „Mono“ und „5.1“ Ihre bevorzugte Option.

Anpassen von Audiopegeln in der Timeline

Jeder Audioclip hat in der Timeline sein eigenes Lautstärke-Overlay, über das Sie die Lautstärke des Clips einstellen können. Ziehen Sie den Zeiger dafür lediglich hoch oder runter. Das Overlay korreliert mit dem Lautstärkeparameter im Inspector.

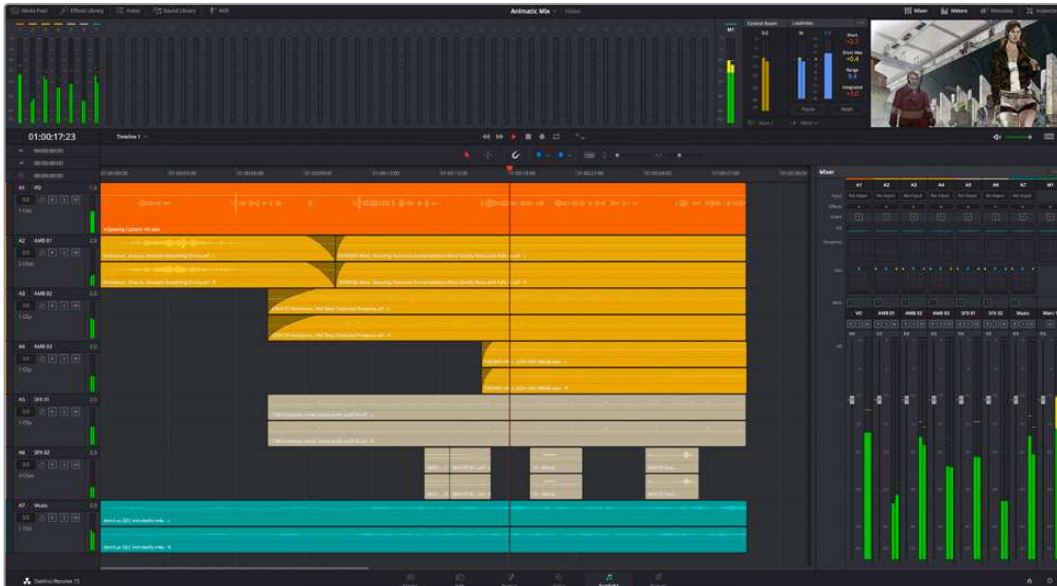


Bewegen Sie den Zeiger im Lautstärke-Overlay, um den Lautstärkepegel des Clips anzupassen.

Sollten Sie für Ihr Projekt noch ausgeklügeltere Audiotools benötigen, haben Sie im Fairlight-Arbeitsraum Zugriff auf eine komplette Postproduktionsumgebung für Ton.

Der Fairlight-Arbeitsraum

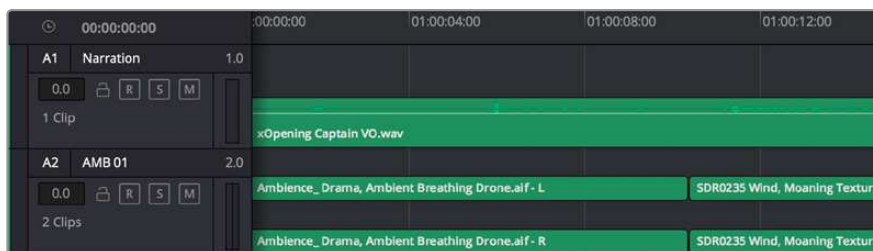
Im Fairlight-Arbeitsraum in DaVinci Resolve bearbeiten Sie den Ton Ihres Projekts. Im Einzelmonitor-Modus bietet Ihnen dieser Arbeitsraum eine optimierte Übersicht über die Audiospuren Ihres Projekts. Ein erweiterter Mixer und spezielle Monitoring-Elemente vereinfachen die Evaluierung und Anpassung von Pegeln, um einen gleichmäßigen und harmonischen Mix zu kreieren. Lassen Sie sich von der riesigen Auswahl an Features nicht abschrecken. Mit ihnen werden Sie die bestmögliche Tonqualität für Ihr Projekt erreichen.



Diese Anleitung gibt Ihnen einen grundlegenden Überblick über die Funktionen im Fairlight-Arbeitsraum. Wenn Sie mehr zu den einzelnen Details einer jeden Funktion erfahren möchten, ziehen Sie das englischsprachige DaVinci Resolve Handbuch zu Rate. Es erklärt den Zweck der einzelnen Tools und beschreibt in leicht verständlichen Schritten, wie Sie sie einsetzen.

Die Audio-Timeline

- **Spur-Header:** Links neben jeder Spur befindet sich ein Spur-Header, der die Spurnummer, den Spurnamen, die Spurfarbe, Audiokanäle, Fader-Werte und Audiopegelmesser anzeigt. Der Spur-Header enthält darüber hinaus einen Button zum Sperren und Entsperrn von Spuren sowie Solo- und Stummschalt-Buttons. Diese Elemente helfen Ihnen dabei, Spuren zu organisieren und ermöglichen die Vorschau einzelner Spuren.
- **Spuren:** Jede Spur im Fairlight-Arbeitsraum ist in Unterspuren aufgeteilt. Jede dieser Unterspuren reflektiert einen individuellen Kanal des Cliptons zum Schneiden und Mixen. Der Edit-Arbeitsraum verbirgt die individuellen Audiokanäle und zeigt stattdessen nur einen einzelnen Clip in der Timeline an. Das macht es einfacher, Mehrkanalquellen zu schneiden, ohne eine große Anzahl an Spuren verwalten zu müssen.



Der Spur-Header von Spur A1 verweist auf eine Monospur mit einer einzelnen Unterspur für Monoton. Bei Spur A2 hingegen handelt es sich um eine Stereospur für Stereoton

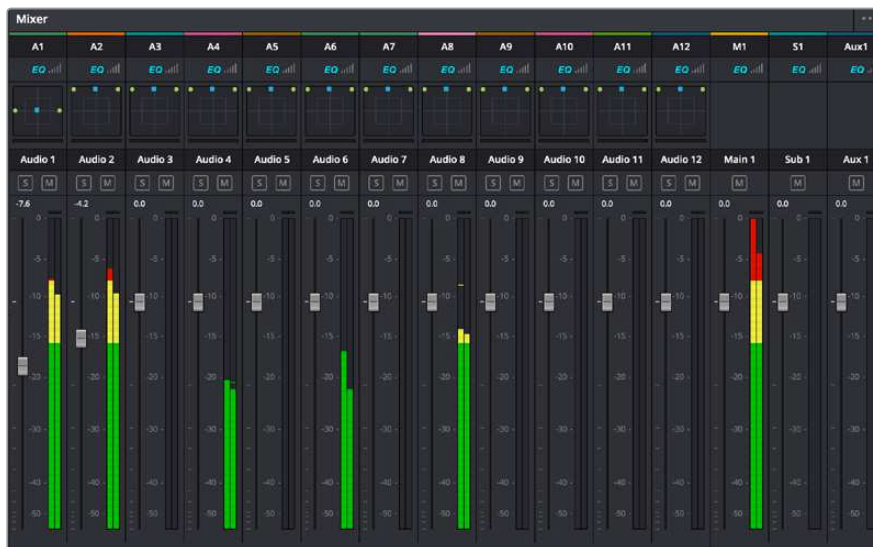
Was ist ein Bus?

Ein Bus ist im Grunde genommen ein Zielkanal, zu dem man mehrere Audiospuren aus der Timeline routen kann. Auf diese Weise werden die Spuren zu einem einzelnen Signal zusammengemischt, das dann auch über einen einzelnen Kanalzug steuerbar ist.

- **Main Bus:** „Main Busses“ bzw. Hauptbusse sind in der Regel die primäre Ausgabe eines Programms. Jedes neu erstellte Projekt verfügt anfangs über einen einzelnen Main-Bus, an den standardmäßig alle Spuren geroutet werden. Der Main-Bus kombiniert alle Spuren in der Timeline zu einem einzigen Signal. So können Sie den allgemeinen Pegel des Audiomixes anpassen, sobald Sie die Pegel der einzelnen Spuren eingestellt haben.
- **Sub Bus:** „Sub Busses“ erlauben ein Zusammenfügen mehrerer Audiospuren der gleichen Kategorie wie Dialoge, Musik oder Effekte. Auf diese Weise können alle Elemente derselben Kategorie als einzelnes Audiosignal gemixt werden. Beispiel: Wenn Sie fünf Dialogspuren haben, können Sie die Ausgabe aller fünf Dialogspuren zu einem Submix-Bus zusammenfügen. Die Pegel aller Dialogspuren lassen sich so mit einem einzelnen Satz von Steuerelementen anpassen. Dieser Submix kann dann separat gerendert oder zum Rendern an den Main-Bus gesendet werden.

Der Mixer

Jede Audiospur in der Timeline entspricht einem individuellen Kanalzug im Mixer. Standardmäßig befindet sich rechts neben dem Main-Bus ein einzelner Kanalzug mit der Beschriftung „M1“. Zusätzliche Kanalzüge erscheinen auf der rechten Seite und verfügen über Steuerelemente für jeden weiteren Main- oder Submix-Bus, den Sie erstellen. Mit einem Satz grafischer Steuerelemente können Sie Ausgabekanaln Spurkanäle zuweisen, EQ und Dynamik anpassen, Pegel und Aufnahmeautomatisierung einstellen, Stereo- und Surround-Ton positionieren sowie Spuren auf Solo oder stummschalten.



Audiomixer mit den zu den Spuren in der Timeline gehörigen Kanalzügen

Audio mit dem Equalizer verfeinern

Sobald die Tonpegel Ihrer Audioclips angepasst sind, stellen Sie vielleicht fest, dass der Ton weiteren Verfeinerungen bedarf. Es kann vorkommen, dass Dialoge, Musik und Soundeffekte um dieselben Frequenzen im Klangspektrum konkurrieren. Das kann dazu führen, dass der Sound aufdringlich oder unklar herüberkommt. Hier kann der Equalizer (EQ) Abhilfe schaffen, da Sie darüber jene Bereiche des Klangspektrums bestimmen können, den jede Spur für sich beansprucht. Mit einem Equalizer können Sie darüber hinaus unerwünschte Elemente aus Ihrem Audio entfernen. Das geschieht, indem Pegel in bestimmten Frequenzen, die ein Dröhnen, Surren, Zischen oder auch Windgeräusche enthalten, isoliert oder reduziert werden. Auch die allgemeine Klangqualität lässt sich damit verbessern.

DaVinci Resolve stellt EQ-Filter bereit, die auf Clipsebene für individuelle Clips oder auf Spurebene für individuelle Spuren angewendet werden können. Jeder Audioclip in der Timeline verfügt über einen 4-Band-Equalizer im Inspector-Fenster. Im Mixer-Fenster steht für jede Spur ein parametrischer 6-Band-Equalizer bereit. Mit den grafischen und numerischen Steuerelementen zum Verstärken oder Dämpfen von Frequenzbereichen sowie unterschiedlichen Filterarten lässt sich die Form der EQ-Kurve definieren.



Der 4-Band-Equalizer kann auf jeden Clip in der Timeline angewendet werden

Über die äußeren Bänder lassen sich Bandfilter mithilfe von Hi-Shelf-, Lo-Shelf-, Hi-Pass- und Lo-Pass-Filtern anpassen. Ein Pass-Filter wirkt sich auf alle Frequenzen über oder unter einem bestimmten Frequenzwert aus, da diese Frequenzen komplett aus dem Signal entfernt werden. Beispiel: Ein Hochpassfilter lässt die hohen Frequenzen passieren und stoppt die niedrigen Frequenzen. Sämtliche außerhalb der Grenzfrequenz liegenden Frequenzen werden in einer graduell abfallenden Kurve herausgeschnitten.

Ein Shelf-Filter ist weniger aggressiv und dann hilfreich, wenn Sie die oberen und unteren Frequenzbereiche eines Signals allgemein formen wollen, ohne diese Frequenzen komplett außen vor zu lassen. Der Shelf-Filter verstärkt oder dämpft die Zielfrequenz sowie alle darüber bzw. darunter liegenden Frequenzen, je nachdem, ob Sie einen High- oder einen Low-Shelf-Filter verwenden.

Mit den Steuerelementen der mittleren Bänder können Sie eine große Vielfalt an Equalizer-Anpassungen vornehmen und zwischen Low-Shelf-, Bell-, Notch- und High-Shelf-Filteroptionen hin und her schalten.

- **Bell:** Bell-Filter verstärken oder dämpfen Frequenzen rund um den vorgegebenen Mittelpunkt einer Glockenkurve. Wie der Name schon sagt, handelt es sich dabei um eine glockenförmige Kurve.
- **Notch:** Mit Notch-Filtern lassen sich sehr schmale Frequenzbandbreiten bearbeiten. Beispielsweise lässt sich Netzbrummen bei 50 oder 60 Hz entfernen.
- **Lo-Shelf:** Low-Shelf-Filter verstärken oder kappen die Zielfrequenz am unteren Ende sowie alle Frequenzen, die darunter liegen.
- **Hi-Shelf:** High-Shelf-Filter verstärken oder kappen die Zielfrequenz am oberen Ende sowie alle Frequenzen, die darüber liegen.

So versehen Sie einen einzelnen Clip mit einem EQ:

- 1 Wählen Sie den Clip, auf den Sie EQ-Filter anwenden wollen, in der Timeline aus.
- 2 Klicken Sie dann in den Inspector und anschließend auf den Aktivierungs-Button „Clip Equalizer“.

So versehen Sie eine Spur mit einem EQ:

- 1 Doppelklicken Sie im Mixer in das EQ-Feld einer Ihrer Spuren, um den Equalizer für diese Spur zu öffnen.
- 2 Wählen Sie im Drop-down-Menü für das anzupassende Band den Bandfilter aus.



Der EQ-Bereich im Mixer-Fenster zeigt an, dass eine EQ-Kurve zu Spur 1 hinzugefügt wurde



Parametrischer 6-Band-Equalizer, der auf jeden Clip angewendet werden kann

Sobald Sie Ihren Clip oder Ihre Spur mit einem EQ versehen haben, können Sie den EQ für jedes Band anpassen. Beachten Sie, dass sich die Steuerelemente je nach ausgewählter Filterart unterscheiden.

So passen Sie den EQ für einen Bandfilter an:

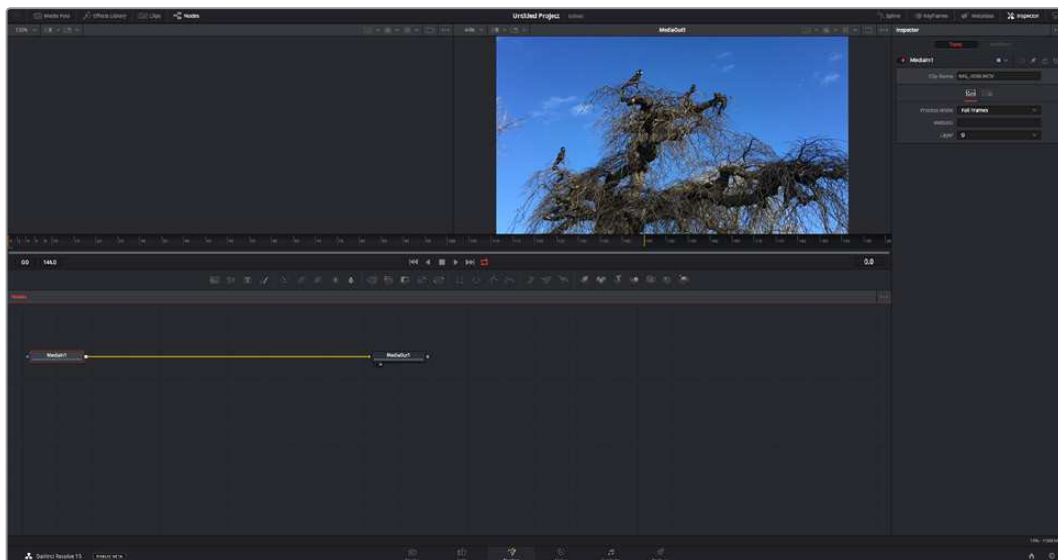
- 1 Wählen Sie im Drop-down-Menü für das anzupassende Band den Bandfilter aus.
- 2 Passen Sie den Frequenzwert „Frequency“ an, um die Mittenfrequenz für den EQ festzulegen.
- 3 Passen Sie den „Gain“-Wert an, um die von den Bändern gesteuerten Frequenzen zu verstärken oder zu dämpfen.
- 4 Geben Sie über den „Q Factor“-Wert die Bandbreite der betroffenen Frequenzen vor.

Setzen Sie mit dem Zurücksetzen-Button alle Steuerelemente im EQ-Fenster auf ihre Standardwerte zurück.

Fairlight bietet vielzählige Steuerelemente, mit denen Sie das Beste aus jeder Audiospur herausholen können. Fügen Sie Spuren hinzu, verwalten und organisieren Sie Busse und fügen Sie Effekte wie Laufzeitverzögerungen oder Hall hinzu. Oder polieren Sie Ihren Audiomix ganz allgemein auf.

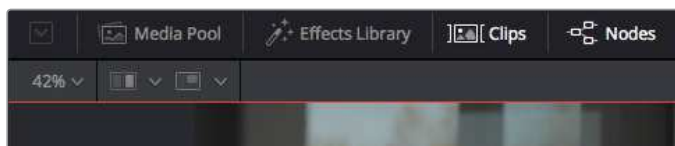
Hinzufügen von VFX und Compositing im Fusion-Arbeitsraum

Nach abgeschlossenem Schnitt können Sie den Fusion-Arbeitsraum öffnen und direkt in DaVinci Resolve visuelle Effekte und Bewegtbilder in 2D oder 3D hinzufügen. Im Gegensatz zu ebenenbasierten Compositing-Softwares verwendet Fusion sogenannte Nodes, anhand derer Sie Bilddaten in beliebige Richtungen lenken können und so die Freiheit haben, komplexe Effekte zu bauen. Das Node-Fenster zeigt auf einen Blick alle im Laufe dieses Prozesses verwendeten Tools. Wenn Sie den Node-Workflow im Color-Arbeitsraum genutzt haben, werden Sie sich hier wie zu Hause fühlen.

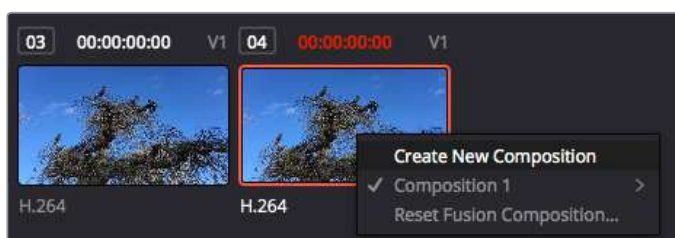


Der Fusion-Arbeitsraum

Der Fusion-Arbeitsraum bietet im oberen Bereich zwei Ansichtsfenster (Viewer) mit Transportsteuerelementen zum Sichten Ihrer Medien. Rechts daneben ist das Inspector-Fenster für den Zugriff auf Tool-Einstellungen. Im „Nodes“-Fenster, dem sogenannten Node-Editor, im unteren Bereich erstellen Sie Ihre Kompositionen, fachsprachlich Compositings genannt. Die Viewer und Transportsteuerelemente werden immer angezeigt. Per Klick auf die Icons der Bedienoberflächen-Toolbar können Sie jedoch die Fenster „Nodes“ und „Inspector“ oder zusätzliche Fenster einschließlich der „Effects Library“ (Effektbibliothek) und Spline- und Keyframe-Editoren wahlweise aufrufen oder verbergen.



- **Media Pool:** Der Media Pool funktioniert hier genauso wie im Edit-Arbeitsraum. Ziehen Sie einfach zusätzliche Medien aus Ihren Bins direkt in Ihr Compositing.
- **Effects Library:** In der Effektbibliothek finden Sie Fusion Tools und Vorlagen, die in Kategorien wie Partikel, Tracking, Filter und Generatoren sortiert sind. Sie können Tools anklicken oder in den Node-Editor ziehen, um sie Ihrem Compositing hinzuzufügen. Der Media Pool und die Effektbibliothek sind im gleichen Bildschirmbereich verortet und man wechselt zwischen beiden hin und her. So werden die Viewer möglichst groß angezeigt.
- **Clips:** Per Klick auf den „Clips“-Tab werden die Thumbnails für die Clips in Ihrer Timeline aufgerufen oder verborgen. Die Thumbnails sind unterhalb des Node-Editors verortet, wo Sie unmittelbar zu anderen Clips navigieren können.



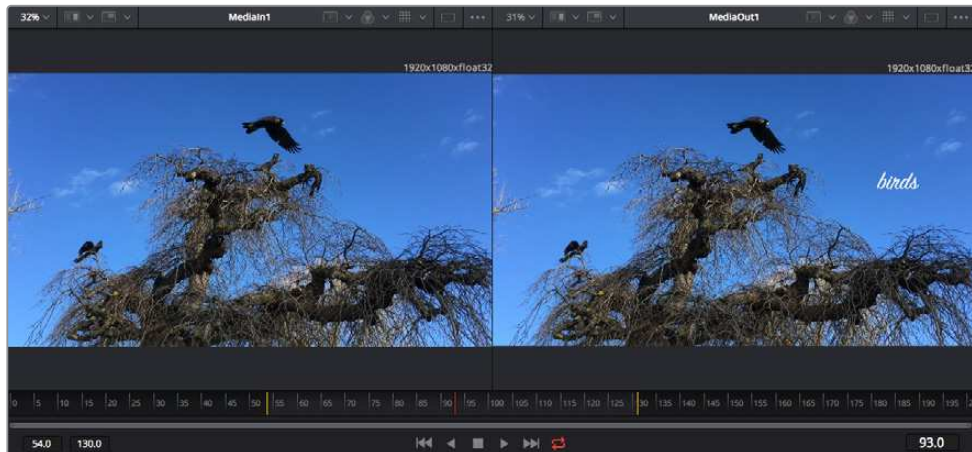
Erstellen Sie eine neue Version Ihres Compositings, indem Sie einen Rechtsklick auf einen Thumbnail ausführen und „Create New Composition“ auswählen

- **Viewer:** Die Ansichtsfenster sind immer eingeblendet und zeigen Ihnen verschiedene Darstellungen Ihres Compositings an, bspw. an einem 3D-Merge-Node vorgenommene Änderungen, die Kameraausgabe oder Ihre finale Renderversion. In den Viewern können Sie auch sehen, wie Ihre Änderungen sich auf ein spezifisches Element auswirken.

Sie können die Node-Ansichten in den Viewern bestimmen, indem Sie auf einen Node klicken und „1“ für den linken und „2“ für den rechten Viewer eingeben. Der neben dem Node erscheinende weiße Punkt zeigt an, welchem der beiden Ansichtsfenster er zugewiesen ist. Bei Verwendung eines externen Videomonitors erscheint ein dritter Button, über den Sie Ihre Medien Ihrem externen Monitor zuführen können.

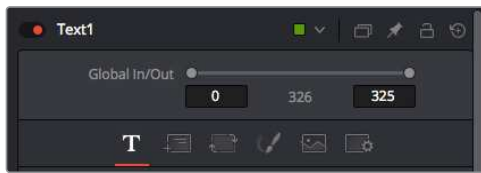
TIPP Alternativ können Sie einen Node einem Viewer zuweisen, indem Sie den Node direkt in den Viewer ziehen.

Mithilfe der unter den Ansichtsfenstern angezeigten Transportbedienelemente können Sie zum Anfang oder Ende eines Clips springen, ihn vor- oder rückwärts abspielen oder seine Wiedergabe anhalten. Das Zeitlineal zeigt den gesamten Clipbereich an, wobei die In- und Out-Punkte mit gelben Markern versehen sind.



Die gelben Marker auf dem Zeitlineal zeigen die In- und Out-Punkte Ihres Clips in der Timeline an. Wenn Sie einen Fusion Clip oder Compound Clip verwenden, sehen Sie auf dem Zeitlineal nur die Dauer des Clips, wie er in der Timeline erscheint, d. h. ohne Handles.

- **Nodes:** Das „Nodes“-Fenster, der sogenannte Node-Editor, ist das Herz des Fusion-Arbeitsraums. Dort bauen Sie Ihren Node-Baum, indem Sie Tools und den Ausgang eines Nodes mit dem Eingang eines anderen verknüpfen. Die Größe dieses Bereichs variiert je nachdem, welche Editoren geöffnet sind, bspw. der Spline- oder Keyframe-Editor. Die Toolbar direkt über dem Node-Editor bietet schnellen Zugriff auf häufig benutzte Tools.
- **Spline:** Der geöffnete Spline-Editor wird rechts vom Node-Editor eingeblendet. Mit diesem Editor können Sie präzise Anpassungen an einzelnen Nodes vornehmen, bspw. um die Animation zwischen zwei Keyframes mithilfe von Bézier-Kurven zu glätten.
- **Keyframes:** Anhand des Keyframe-Editors kann man jedes Tool mit Keyframes versehen, diese entfernen oder modifizieren. Auch dieser Editor wird rechts vom „Nodes“-Fenster eingeblendet.
- **Metadaten:** Im Metadatenfenster werden Ihnen die für einen aktiven Clip verfügbaren Metadaten wie Codec, Framerate und Timecode angezeigt.
- **Inspector:** Der „Inspector“ oben rechts auf der Bedienoberfläche zeigt alle für einen oder mehrere aktive Nodes verfügbaren Einstellungen und Modifier an. Dort werden auch zusätzliche, nach Kategorie sortierte Tab-Optionen für schnellen Zugriff eingeblendet.



Der Text-Inspector bietet zusätzliche Tabs für Text, Layout, Transform, Shading, Bild und Einstellungen

Erste Schritte mit Fusion

Um mit Fusion loszulegen, platzieren Sie den Abspielkopf auf irgendeinen Clip in Ihrer Timeline. Öffnen Sie dann den Fusion-Arbeitsraum per Klick auf den „Fusion“-Tab.

Im Fusion-Arbeitsraum ist Ihr Clip dann in Form eines als „MediaIn“ gekennzeichneten Medieneingabe-Nodes sofort verfügbar. Jedes Compositing beginnt mit einem „MediaIn“- und einem „MediaOut“-Node. Dieser „MediaIn“-Node stellt den obersten Clip in Ihrer Timeline dar und ignoriert alle darunter liegenden Clips. Sämtliche im Edit-Arbeitsraum am Clip vorgenommenen Änderungen werden einbezogen, bspw. an Transform-Tools oder ausgewählten Bildausschnitten.



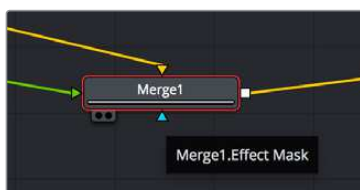
Der als „MediaOut“ gekennzeichnete Medienausgabe-Node sendet die Ausgabe zurück in die Timeline des Edit-Arbeitsraums von DaVinci Resolve

TIPP ResolveFX- oder OFX-Plug-ins, mit denen Clips im Edit-Arbeitsraum versehen wurden, werden im Fusion-Arbeitsraum nicht angewendet. Das ist so, weil Fusion Effekte vor der Farbkorrektur und vor der OFX-/ResolveFX-Verarbeitung kommen. Wenn Sie OFX in der Verarbeitungskette vor Fusion Effekten anwenden wollen, klicken Sie im Edit-Arbeitsraum auf den Clip und wählen Sie „New Fusion Clip“ aus. Klicken Sie erst dann auf den Tab für den Fusion-Arbeitsraum.

Nodes verstehen

Man kann sich einen Node als visuelles Icon vorstellen, das ein einzelnes Tool oder einen Effekt darstellt. Nodes werden mit anderen Nodes verknüpft und so wird durch Hinzufügen von Elementen eine Gesamtkomposition gebaut. Es ist wichtig, die Ein- und Ausgänge der einzelnen Nodes zu verstehen. Das hilft Ihnen bei der Gestaltung von detaillierten visuellen Effekten, den Fluss Ihres Compositings zu navigieren.

Manche Tools verfügen über mehrere Ein- und Ausgänge, die sich mit anderen Nodes verknüpfen lassen. So können Sie einen Merge-Node bspw. mit einem Vordergrundeingang, einem Hintergrundeingang und einem Maskeneingang für Matten und Keys koppeln.



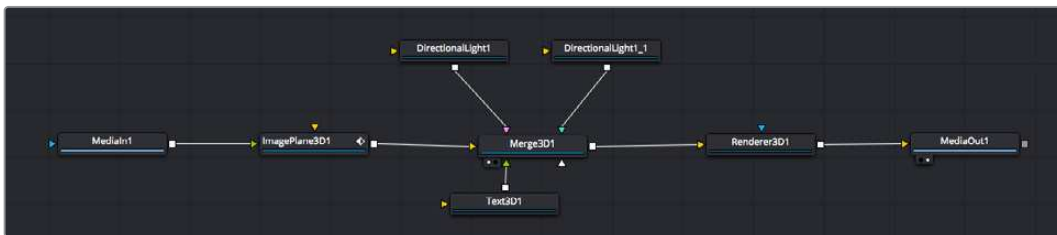
- ▶ Vordergrundeingang
- ▶ Hintergrundeingang
- ▶ Maskeneingang für Effekte
- Ausgang

Demnach kann ein einzelner Node über mehrere Ausgänge an mehrere verschiedene Nodes in Ihrem Compositing geknüpft werden. Anders als mit einer ebenenbasierten Software brauchen Sie diese Clips nicht zu duplizieren. Die Verbindungslinien zwischen Nodes sind mit Pfeilen versehen, die die Richtung des Bilddatenflusses illustrieren.

Hinzufügen von Nodes in den Node-Editor

Effekte kann man ganz einfach hinzufügen, indem man Nodes auf die Verbindungslinie zwischen die „MediaIn“- und „MediaOut“-Nodes setzt.

Dafür gibt es mehrere Methoden. Sie können einen Node mit gedrückter Shift-Taste zwischen zwei Nodes einsetzen. Alternativ klicken Sie auf den Node, an den Sie einen Effekt anknüpfen möchten, und wählen Sie das gewünschte Tool aus. Der neue Node wird automatisch mit dem ausgewählten Tool verbunden. Sie können einen Node auch irgendwo im Node-Editor hinzufügen und die Nodes manuell verknüpfen, indem Sie den Ausgang des einen Nodes zum Eingang des anderen ziehen.



Der 2D- oder 3D-Merge-Node ist das am häufigsten verwendete Tool. Dieser Node fungiert als Drehscheibe, die Tools im Node-Editor in einen einzelnen Ausgang zusammenführt.

Der Merge-Node verfügt über Bedienelemente für die Handhabung der Eingänge, einschließlich von Attributen wie Größe, Position und Mix. Auf all diese Einstellungen greift man bei Auswahl des Merge-Node im Fenster „Inspector“ zu.

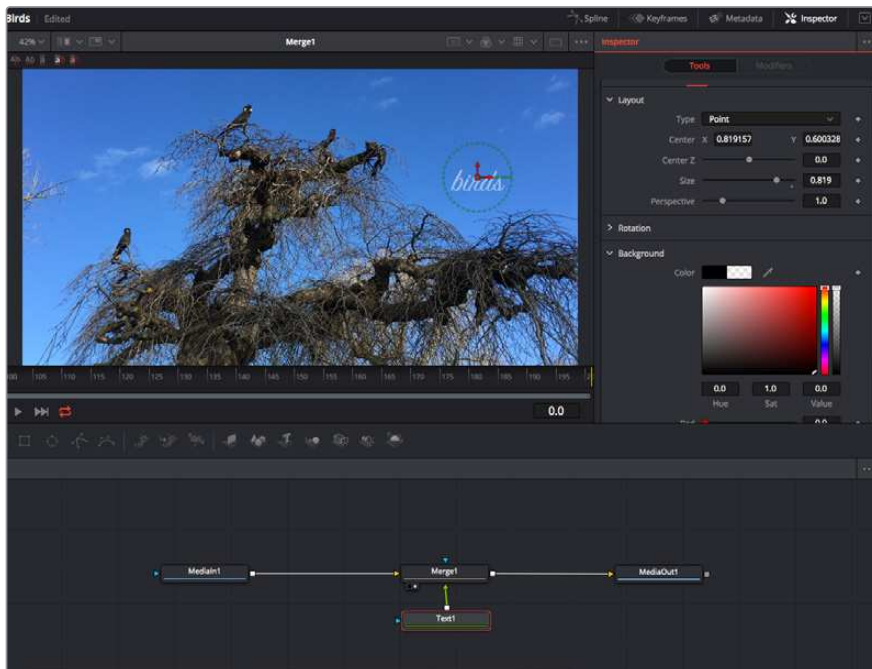
Die gebräuchlichsten Tools sind als Icons in der Toolbar aufgereiht. Um einem Node ein Tool hinzuzufügen, klicken Sie auf sein Icon oder ziehen Sie es in den Node-Editor. Um sich alle verfügbaren Tools anzeigen zu lassen, klicken Sie oben links auf „Effects Library“ und erweitern Sie die Option „Tools“. Dort finden Sie alle Tools nach Kategorie sortiert sowie einen Satz vorgefertigter „Templates“. Diese Vorlagen können Sie bspw. als Blendeneffekte, Shader und Hintergründe verwenden.

TIPP Sobald Ihnen die Werkzeugnamen vertraut sind, können Sie das Auswahlmü „Select Tools“ aufrufen, indem Sie bei gedrückter Shift-Taste die Leertaste Ihrer Tastatur drücken. Beim Eintippen des Werkzeugnamens wird Ihnen das relevante Tool aus dem Menü vorgeschlagen. So wählt man das gewünschte Tool sehr schnell aus.

Anpassen von Nodes mit dem Inspector

Passen Sie Ihre Node-Einstellungen im „Inspector“-Fenster an. Klicken Sie einfach den zu modifizierenden Node an, damit sich das Fenster aktualisiert und es die Einstellungen und Bedienelemente des Nodes anzeigt.

Mit Fusion brauchen Sie sich den aktuell bearbeiteten Node nicht anzeigen zu lassen, da Sie einen Node modifizieren können, während in Ihrem Compositing ein anderer Node eingeblendet wird. Beispiel: Sie können die Größe und die mittige Platzierung eines „Text“-Nodes ändern, während der Merge-Node im Viewer angezeigt wird. Dies zeigt Ihnen den Text im Verhältnis zum Hintergrund an.



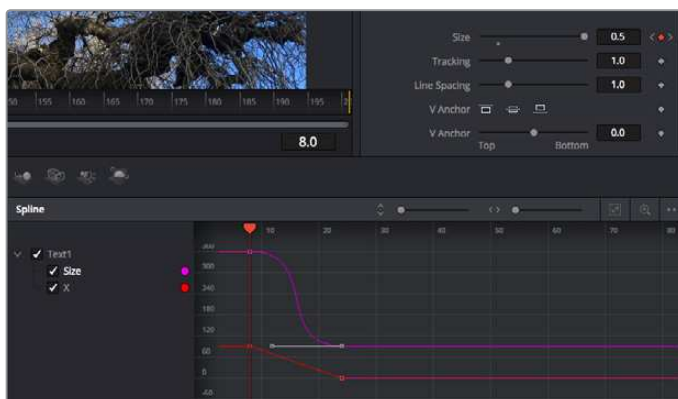
Ausgewählte Nodes sind rot umrandet. Der Inspector zeigt unter „Layout“ die Tabs mit den Bedienelementen für den Text-Node an

Die unterschiedlichen Parameter und Einstellungen können Sie für jeden Node je nach Aufgabe anpassen. Sei dies die Größenvorgabe, das Zentrieren der Position oder eine Änderung an der Anzahl von Partikeln eines Emitter-Nodes. Durch die Vorgabe von Keyframes und Einstellungen, die sich über einen Zeitverlauf ändern, wird der Effekt animiert.

Arbeiten mit Keyframes

Setzen Sie vom „Inspector“-Fenster aus einen Keyframe, indem Sie einen Rechtsklick auf einer Einstellung ausführen und im Kontextmenü „Animate“ auswählen. Das Keyframe-Icon rechts neben der Einstellung erscheint nun in Rot. Dies besagt, dass der Keyframe jetzt aktiviert ist und jede von Ihnen vorgenommene Änderung nur auf den aktuellen Frame angewendet wird. Werden zwei oder mehr Keyframes erstellt, indem die Einstellungsparameter eines anderen Frames geändert werden, wird dazwischen ein Übergang interpoliert. Anhand der Pfeile rechts und links vom Keyframe-Icon können Sie den Abspielkopf auf der Timeline genau an diese Positionen bewegen.

Die Freiformkurve im „Spline“-Fenster gibt Ihnen noch mehr Kontrolle über Ihre Keyframe-Animation. Wählen Sie damit Keyframes aus, bspw. den ersten und letzten, und glätten Sie die Animation dazwischen anhand einer Bézierkurve. Drücken Sie hierfür Shift und die S-Taste oder rechtsklicken Sie auf einen Keyframe und geben Sie „Smooth“ vor.



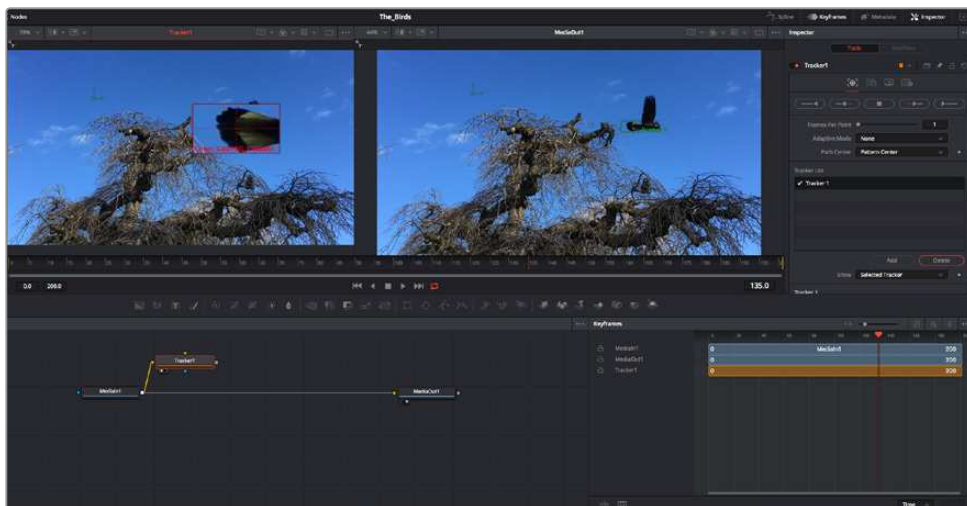
Hier wurde die Keyframe-Animation „Size“ mit einer Bézierkurve geglättet. Um die Kurve zu kürzen oder zu verlängern, klicken Sie die Bézier-Ziehpunkte an. Um die Keyframe-Platzierung zu ändern, klicken Sie die rechteckigen Keyframe-Icons an

Mit dem Motion Tracker arbeiten und Text hinzufügen

Die folgenden Beispiele sollen Ihnen den Einsatz von Fusion besser verständlich machen. Sie veranschaulichen, wie Sie anhand des Tracker-Werkzeugs ein Element in einem Clip verfolgen und wie Sie dieses Element unter Verwendung der Trackingdaten mit Text versehen.

Der Tracker verfolgt die Pixel entlang der X- und Y-Achsen. Anhand der so generierten Daten können Sie an ein Element weitere anknüpfen. Das ist ideal, wenn Sie die Position von Text an die Bewegung eines Objekts anpassen wollen, bspw. an ein fahrendes Auto oder an einen durch das Bild fliegenden Vogel.

- 1 Wählen Sie in der „Effects Library“ das „Tracking“-Tool aus und ziehen Sie es auf die Linie zwischen die „MediaIn“- und die „MediaOut“-Nodes. Klicken Sie jetzt auf den Tracker-Node, um seine Eigenschaften im Inspector zu öffnen.
- 2 Tippen Sie auf Ihrer Tastatur die „1“, um den Tracker-Node im linken Viewer zu sichten. Nun erscheint der Clip mit dem Tracker an seiner standardmäßigen Position im Viewer. Bewegen Sie den Mauszeiger über den Tracker bis der Tracker-Ziehpunkt erscheint. Klicken Sie oben links auf den Tracker-Ziehpunkt und ziehen Sie den Tracker auf den zu verfolgenden Bereich in Ihrem Clip. Kontrastreiche Bereiche lassen sich gut verfolgen, bspw. die Kühlerfigur eines Autos. Für extra Präzision vergrößert der Tracker den betroffenen Bildbereich.
- 3 Klicken Sie im Inspector auf den „Track Forward“-Button, um mit dem Verfolgen zu beginnen. Nach abgeschlossenem Tracking erscheint ein Hinweisfenster. Klicken Sie auf „OK“.

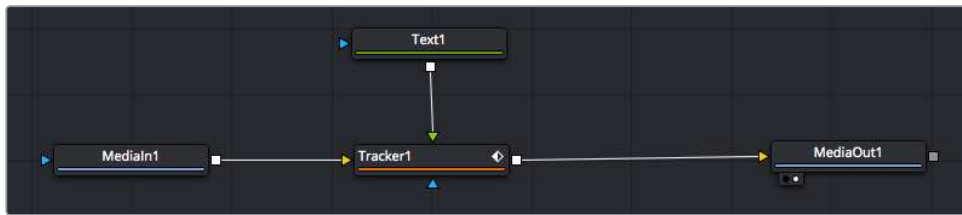


Die im Inspector verfügbaren Tracking-Möglichkeiten umfassen u. a. das Rückwärts-Tracking vom letzten oder vom aktuellen Frame oder das Anhalten am bzw. Vorwärts-Tracking vom aktuellen Frame oder vom ersten Frame

TIPP Das Rückwärts- oder Vorwärts-Tracking vom aktuellen Frame aus bietet sich für Situationen an, in denen der betroffene Bereich mitten im Renderabschnitt verschwindet, bspw. wenn sich ein Auto oder ein Vogel aus dem Bild herausbewegt. Dies gestattet es, nur die relevante Footage zu verfolgen.

Nun können Sie die Trackingdaten des Bewegungspfads auf ein Text-Tool anwenden.

- 4 Klicken Sie in der Toolbar mit den gängigen Nodes auf den „Text“-Node und ziehen Sie diesen in das „Nodes“-Fenster in die Nähe des Tracker-Nodes. Verbinden Sie das kleine Ausgabebereich „Text“ mit dem grünen Vordergrundeingang am „Tracker“-Node.



- 5 Klicken Sie auf den „Tracker“-Node und tippen Sie „1“, um das Merge-Ergebnis im linken Ansichtsfenster zu betrachten. Klicken Sie im Inspector im Feld „Tracker“ auf den „Operations“-Tab. Um den Tab-Namen einzublenden, bewegen Sie den Mauszeiger über den Tab. Wählen Sie im Drop-down-Menü für „Operation“ die Option „Match Move“.
- 6 Klicken Sie auf den „Text“-Node, um seine Eigenschaften im Inspector zu öffnen. Tippen Sie Ihren Text in das Textfeld und ändern Sie entsprechend Ihres Compositings die Art, Farbe und Größe der Schrift.

Auf diese Weise werden die Trackingpositionsdaten Ihres Trackers auf den Text angewendet. Um per Offset eine versetzte Platzierung des Textes zu bewirken, klicken Sie im Inspector auf den „Trackers“-Tab. Modifizieren Sie die Platzierung dort mithilfe der X- und Y-Scrollräder.



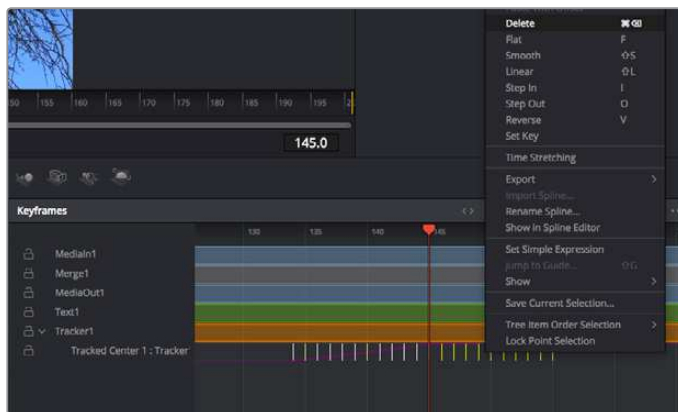
Die Scrollräder unten im Tracker-Fenster des Inspectors dienen zum Anpassen der Offset-Platzierung von Text

Wird das Compositing jetzt wiedergegeben, sehen Sie, wie der Text an Ihrem getrackten Objekt haftet.



Das grüne Quadrat zeigt die aktuelle Tracker-Position entlang des grünen Pfads an, und die rote gestrichelte Linie steht für die zur Textanimation benutzte Offset-Position

Bei manchen Shots werden Sie nach abgeschlossenem Tracking vermutlich die Tracking-Punkte entfernen wollen, bspw. wenn Ihr verfolgtes Objekt vom Bildschirm verschwindet. Mit dem Keyframe-Editor ist das ein einfacher Vorgang.



- 7 Öffnen Sie den Keyframe-Editor, indem Sie über dem Inspector auf den „Keyframes“-Tab klicken. Man erkennt Nodes, die einen Keyframe enthalten, an einem kleinen Pfeil neben dem Node-Label. In der Liste unten erscheinen nur die Parameter mit hinzugefügten Keyframes. Klicken Sie auf das Vergrößerungssymbol und ziehen Sie ein Kästchen um den zu bearbeitenden Bereich. Dies zoomt in den Bereich hinein und lässt Sie die Keyframes besser erkennen.
- 8 Bewegen Sie den Abspielkopf an den Ort des letzten gewünschten Keyframes. Wählen Sie jetzt die zu entfernenden Keyframes aus, indem Sie mit Ihrer Maus ein Rechteck um diese herum ziehen. Die Keyframes werden nun gelb markiert. Führen Sie einen Rechtsklick aus und wählen Sie zum Löschen im Menü „Delete“ aus.

TIPP Wenn Ihre Effekte das System stark belasten, können Sie im Bereich der Transportsteuerung per Rechtsklick die Viewer-Optionen einblenden. Dort gibt es bspw. die Proxy-Wiedergabe, mit der Sie beim Erstellen von Compositings das Beste aus Ihrem System herausholen. Weitere Einzelheiten zu allen Wiedergabeoptionen finden Sie im englischsprachigen DaVinci Resolve Handbuch.

Ihr erstes Compositing mit animiertem Text, das einer Bewegung in Ihrer Footage folgt, ist nun vollbracht!

Um einen Bereich in Ihrem Bild mit einer planen Fläche zu verfolgen, die Sie verbessern oder ersetzen möchten, steht der Planar-Tracker zur Verfügung. Die 2D-Flächenverfolgung ist praktisch, um in einem bewegten Bild bewegte Beschriftungen und Schilder zu ändern. Man kann damit sogar ein Bild auf einen in Ihrer Footage erscheinenden Monitor oder TV-Bildschirm setzen.

Einzelheiten zum Planar-Tracker und zu den vielen leistungsstarken Werkzeugen in DaVinci Resolves Fusion-Arbeitsraum finden Sie im englischsprachigen DaVinci Resolve Handbuch.

TIPP Beim Erstellen Ihrer visuellen Effekte im Fusion-Arbeitsraum sollten Sie klären, ob es sich um 2D- oder 3D-Effekte handelt, um zu entscheiden welches Merge-Tool verwendet wird. Es kann gut sein, dass Sie in einem Compositing häufig sowohl 2D- als auch 3D-Effekte kombinieren. Bedenken Sie dabei, dass jeder visuelle Effekt, der den 3D-Raum verwendet, erst als 2D-Bild gerendert werden muss, bevor er in ein 2D-Compositing eingefügt werden kann.

Wir wünschen Ihnen viel Vergnügen beim Erkunden von Fusion und der visuellen Effekte zusammen mit der geballten Power von DaVinci Resolves Edit-, Color- und Fairlight-Arbeitsräumen. Mit so vielen leistungsstarken Tools in greifbarer Nähe kennt die Umsetzung Ihrer Ideen in DaVinci Resolve keine Grenzen mehr.

Mastern Ihres Schnitts

Jetzt da Sie Ihren Edit bearbeitet, visuelle Effekte hinzugefügt und Ihren Ton gemischt haben, möchten Sie ihn bestimmt mit anderen teilen. Per „Quick Export“ über den entsprechenden Button oder die Menüauswahl können Sie Ihren Timeline-Content als eigenständige Datei oder in einer Vielzahl von Formaten ausgeben, oder weitere im Deliver-Arbeitsraum verfügbare Features verwenden.



Der Export Ihres Schnitts erfolgt im Deliver-Arbeitsraum. Sie haben die Wahl zwischen vielen verschiedenen Videoformaten und Codecs

Quick Export

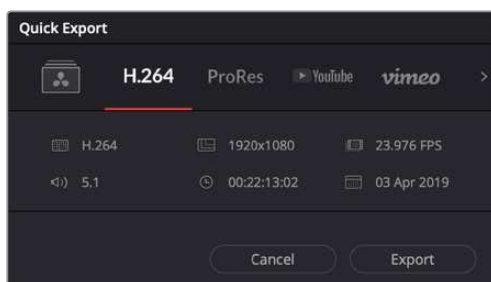
Per „File“ > „Quick Export“ können Sie Ihr Programm schnell von jedem Arbeitsraum in DaVinci Resolve ausgeben. Verwenden Sie dazu eines von diversen Export-Presets. Die Option „Quick Export“ ermöglicht auch das Exportieren und Hochladen Ihres Programms an einen unterstützten Video-Sharing-Dienst wie YouTube, Vimeo und Frame.io.

So verwenden Sie Quick Export:

- 1 Setzen Sie wahlweise im Edit-, Fusion- oder Color-Arbeitsraum In- und Out-Punkte in der Timeline, um in Ihrem aktuellen Programm eine Sequenz für die Ausgabe zu bestimmen. Werden keine In- und Out-Punkte vorgegeben, dann wird die gesamte Timeline exportiert.

Wählen Sie in der Menüleiste „File“ > „Quick Export“.

- 2 Wählen Sie im Fenster „Quick Export“ aus der oben verlaufenden Symbolleiste ein Preset und klicken Sie auf „Export“.
- 3 Wählen Sie einen Verzeichnisort aus, geben Sie im Export-Fenster einen Dateinamen ein und klicken Sie auf „Save“. Ein Fenster mit Fortschrittsbalken erscheint, um die Exportdauer anzuzeigen.



Das Dialogfenster „Quick Export“

Der Deliver-Arbeitsraum

In diesem Arbeitsraum wählen Sie die zu exportierenden Clips aus. Zusätzlich können Format, Codec und die gewünschte Auflösung eingestellt werden. Sie können in diversen Formaten wie QuickTime, AVI, MXF und DPX exportieren und zwar unter Verwendung der folgenden Codecs: 8 Bit oder 10 Bit unkomprimiertes RGB/YUV, ProRes, DNxHD, H.264 und mehr.

So exportieren Sie einen einzelnen Clip Ihres Schnitts:

- 1 Klicken Sie auf den Tab „Deliver“, um den Deliver-Arbeitsraum zu öffnen und Ihr finales Projekt zu exportieren.
- 2 Gehen Sie links oben im Arbeitsraum zum Render-Einstellungen-Fenster „Render Settings“. Für den Export haben Sie eine Reihe von Presets zur Auswahl, bspw. Presets für YouTube, Vimeo und Ton. Oder erstellen Sie eigene Export-Einstellungen, indem Sie diese auf dem standardmäßigen Preset „Custom“ belassen und Ihre Parameter eingeben. Hier ein Beispiel: Wählen Sie YouTube, klicken Sie auf den Pfeil neben dem Preset und anschließend auf das Videoformat 1080p.

Die Framerate wird durch die in den Projekteinstellungen angegebene Framerate bestimmt.

- 3 Unterhalb der Presets sehen Sie den Timeline-Dateinamen und den Zielstandort Ihres exportierten Videos. Klicken Sie auf den „Browse“-Button und geben Sie den Zielort zum Speichern Ihrer exportierten Datei vor. Wählen Sie in den Render-Optionen „Single Clip“ (einzelne Datei) aus.
- 4 Im Optionsfeld unmittelbar über der Timeline ist „Entire Timeline“ vorgegeben. Dies bedeutet, dass die gesamte Timeline exportiert wird. Bei Bedarf können Sie jedoch auch einen begrenzten Timeline-Abschnitt bestimmen. Wählen Sie „In/Out Range“ und bestimmen Sie mithilfe der I- und O-Tasten die In- und Out-Points in Ihrer Timeline.
- 5 Klicken Sie unten in den Render-Einstellungen „Render Settings“ auf die Schaltfläche „Add to Render Queue“.

Ihre Render-Einstellungen werden dann der Render-Warteschleife rechts im Arbeitsraum hinzugefügt. Klicken Sie jetzt lediglich auf „Start Render“ und verfolgen Sie den Fortschritt in der Warteschleife.

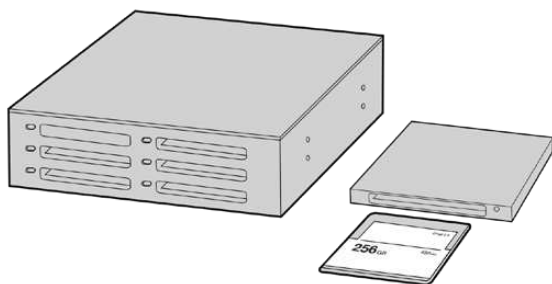
Nach abgeschlossenem Rendern können Sie den ausgewählten Ordner öffnen, auf Ihren Clip klicken und Ihren fertiggestellten Schnitt ansehen.

Sie verfügen nun über Grundkenntnisse zu Schnitt, Farbe, Vertonung und visuellen Effekten. Wir empfehlen Ihnen, mit DaVinci Resolve zu experimentieren, um diese Fähigkeiten zu vertiefen. Weitere Informationen zu Einzelheiten und wie Sie mit Funktionen das Beste aus Ihrem Projekt herausholen, finden Sie im DaVinci Resolve Handbuch.

Arbeiten mit Fremdhersteller-Software

Um Clips mit Ihrer bevorzugten Schnittsoftware wie DaVinci Resolve zu bearbeiten, können Sie die Clips von Ihrer Kamera auf ein externes Laufwerk oder einen RAID kopieren und die Clips anschließend in die Software importieren. Alternativ können Sie Ihre Clips direkt von Ihrem Speicherträger importieren. Dies erfolgt über ein Dock bzw. einen Adapter für Ihre CFast- oder SD-Karte bzw. über den USB-C-Port für ein USB-C-Laufwerk.

Arbeiten mit Dateien auf CFast-2.0- und SD-Karten



Schneiden Sie direkt von Ihrer CFast- oder SD-Karte, indem Sie sie aus Ihrer Kamera entnehmen und über ein CFast-2.0-Lese-/Schreibgerät oder CFast-Laufwerk an Ihren Computer anschließen

So importieren Sie Ihre Clips von einer CFast-2.0- oder SD-Karte:

- 1 Entfernen Sie die CFast- oder SD-Karte aus Ihrer Blackmagic Pocket Cinema Camera.
Schließen Sie die CFast- oder SD-Karte über ein CFast-2.0- bzw. SD-Kartenlesegerät oder ein CFast-Laufwerk an Ihren Mac oder Windows Computer an.
- 2 Doppelklicken Sie auf die CFast- oder SD-Karte, um sie zu öffnen. So werden Ihnen die entsprechenden Ordner angezeigt, die Ihre Blackmagic-RAW-Dateien oder eine Liste mit QuickTime-Movie-Dateien enthalten. Je nach ausgewähltem Aufnahmeformat liegt Ihnen möglicherweise eine Mischung aus verschiedenen Dateien vor, deren Namenskonvention jedoch identisch sein sollte.
- 3 Ziehen Sie die gewünschten Dateien einfach per Drag-and-drop von der CFast- oder SD-Karte auf Ihren Desktop oder ein anderes Laufwerk oder greifen Sie über Ihre Schnittsoftware direkt auf die Dateien auf der CFast- oder SD-Karte zu.
- 4 Bevor Sie die CFast- oder SD-Karte aus Ihrem Computer entnehmen, ist es wichtig, diese zunächst unter Mac oder Windows auf sichere Weise auszuwerfen. Wenn Ihr Speicherträger nicht sicher ausgeworfen wird, besteht das Risiko einer Beschädigung Ihrer Footage.

Arbeiten mit Dateien von USB-C-Laufwerken

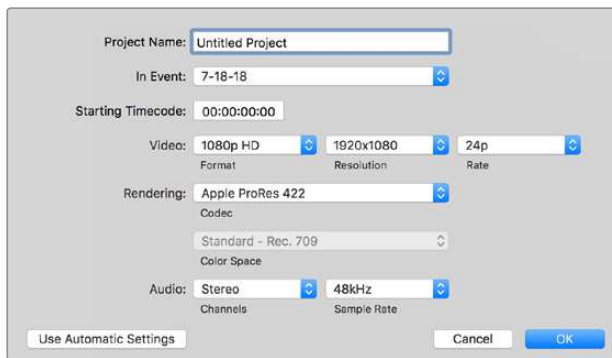
So importieren Sie Clips von einem USB-C-Laufwerk:

- 1 Trennen Sie das USB-C-Laufwerk von Ihrer Kamera.
- 2 Schließen Sie das USB-C-Laufwerk über einen USB-C-Port an Ihren Mac oder Windows Computer an. Verwenden Sie vorzugsweise USB 3.0, da USB 2.0 für den Videoschnitt in Echtzeit nicht schnell genug ist.
- 3 Doppelklicken Sie auf das USB-C-Laufwerk, um es zu öffnen. Sie erhalten eine Liste mit QuickTime-Movie-Dateien oder -Ordern, die Ihre Blackmagic-RAW-Dateien enthalten. Je nach ausgewähltem Aufnahmeformat liegt Ihnen möglicherweise eine Mischung aus verschiedenen Dateien vor, deren Namenskonvention jedoch identisch sein sollte.
- 4 Ziehen Sie jetzt einfach per Drag-and-drop die gewünschten Dateien vom USB-C-Laufwerk auf Ihren Desktop oder auf ein anderes Laufwerk. Sie können auch direkt über Ihre NLE-Software auf die Dateien auf dem USB-C-Laufwerk zugreifen.

- Es ist wichtig, dass Sie das USB-C-Laufwerk zunächst sicher auswerfen, bevor Sie es von Ihrem Computer trennen.

Verwendung von Final Cut Pro X

Um Ihre Clips in Final Cut Pro X zu bearbeiten, müssen Sie ein neues Projekt erstellen, das dem Videoformat und der Framerate Ihrer Clips entspricht. In diesem Beispiel wird ProRes 422 HQ 1080p/24 verwendet.



Projekteinstellungen in Final Cut Pro X

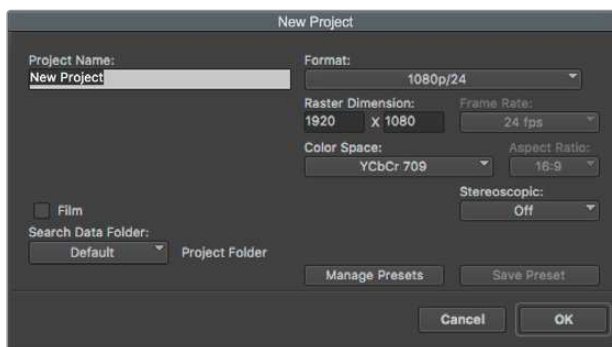
- Starten Sie Final Cut Pro X, gehen Sie auf die Menüleiste und wählen Sie „File“ > „New Project“ (Datei > Neues Projekt) aus. Es öffnet sich ein Fenster mit den Projekteinstellungen.
- Benennen Sie Ihr Projekt, und aktivieren Sie das Kontrollkästchen „Custom“ (Benutzerdefiniert).
- Stellen Sie die Videoeigenschaften auf 1080p HD, 1920x1080 und 24p ein.
- Stellen Sie Ihre „Audio and render properties“ (Audio- und Render-Eigenschaften) auf Stereo, 48 kHz, und Apple ProRes 422 HQ ein.
- Klicken Sie auf „OK“.

Gehen Sie zum Importieren von Clips in Ihr Projekt auf die Menüleiste und wählen Sie „File“ > „Import“ > „Media“ (Datei > Importieren > Medien) aus. Wählen Sie die Clips von Ihrer CFast-Karte aus.

Ihre Clips lassen sich jetzt zur Bearbeitung auf die Timeline ziehen.

Verwendung von Avid Media Composer 2018

Um Ihre Clips mit Avid Media Composer 2018 zu bearbeiten, erstellen Sie ein neues Projekt, das dem Videoformat und der Framerate Ihres Clips entspricht. In diesem Beispiel sind die Clips auf 1080p/24 eingestellt.



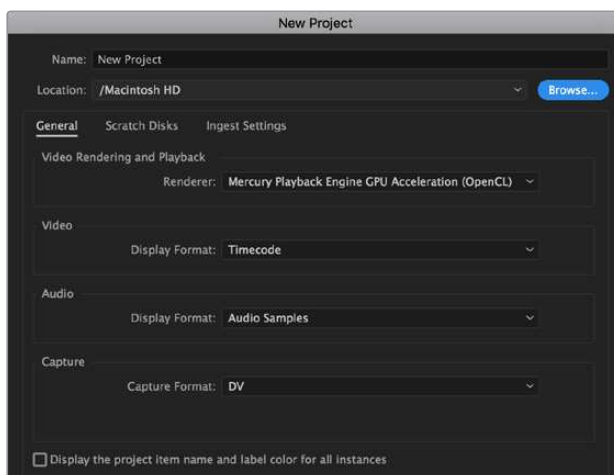
Eingabe des Projektnamens und der Projektoptionen in Avid Media Composer 2018

- 1 Starten Sie Avid Media Composer 2018. Das „Select Project“-Fenster (Projekt auswählen) erscheint.
- 2 Klicken Sie auf den Button „New Project“ (Neues Projekt) und benennen Sie Ihr neues Projekt im Fenster „New Project“.
- 3 Geben Sie im Drop-down-Menü „Format“ „HD 1080“ > „1080p/24“ aus und klicken Sie auf „OK“, um das Projekt zu erstellen.
- 4 Um das Projekt zu öffnen, doppelklicken Sie es im „Select Project“-Fenster.
- 5 Wählen Sie „File“ > „Input“ > „Source Browser“ (Datei > Eingabe > Quellbrowser) aus und navigieren Sie zu den zu importierenden Dateien.
- 6 Wählen Sie im Drop-down-Menü Ihre „Target Bin“ (Ziel-Bin) aus und klicken Sie „Import“ (Importieren).

Sobald die Clips in der Medien-Bin erscheinen, können Sie sie in die Timeline ziehen und mit der Bearbeitung beginnen.

Verwendung von Adobe Premiere Pro CC

Um Ihre in Apple ProRes 422 HQ erstellten Clips mit Adobe Premiere Pro CC zu schneiden, müssen Sie ein neues Projekt erstellen und ein passendes Videoformat sowie eine geeignete Framerate einstellen. In diesem Beispiel sind die Clips auf ProRes 422 HQ 1080p/25 eingestellt.



Eingabe des Projektnamens und der Projektoptionen in Adobe Premiere Pro CC

- 1 Starten Sie Adobe Premiere Pro CC. Wählen Sie im Willkommensfenster „New Project“ (Neues Projekt) aus. Es öffnet sich ein Fenster mit den Projekteinstellungen.
- 2 Benennen Sie Ihr Projekt. Wählen Sie den Speicherort für Ihr Projekt per Klick auf die Schaltfläche „Browse“ und geben Sie den gewünschten Ordner vor. Klicken Sie nach Auswahl Ihres Speicherort-Ordners Fenster „New Project“ auf „OK“.
- 3 Wählen Sie auf der Adobe Premiere Pro CC Menüleiste per „File“ > „Import“ (Datei > Importieren) die zu bearbeitenden Clips aus. Ihre Clips erscheinen im Projektfenster.
- 4 Ziehen Sie den ersten zu bearbeitenden Clip unten rechts im Projektfenster auf das Icon „New item“ (Neues Objekt). Daraufhin wird eine neue Sequenz erstellt, die mit Ihren Clip-Einstellungen übereinstimmt.

Sie können Ihre Clips jetzt zur Bearbeitung in die Sequenz-Timeline ziehen.

Blackmagic Camera Setup Utility (Dienstprogramm)

Aktualisierung der Kamerasoftware auf Mac

Laden Sie die Blackmagic Camera Setup Utility Software herunter, entpacken Sie die heruntergeladene Datei und klicken Sie auf das Disk-Image, um sich die Installationsanwendung Blackmagic Camera Setup Installer anzeigen zu lassen.

Starten Sie die Installationsanwendung und folgen Sie den Anweisungen auf dem Bildschirm. Gehen Sie nach abgeschlossener Installation zu Ihrem Programme-Ordner und öffnen Sie den Ordner „Blackmagic Cameras“. Dieser enthält diese Bedienungsanleitung, das Dienstprogramm Blackmagic Camera Setup sowie einen Dokumente-Ordner mit Readme-Dateien und Informationen. Sie finden dort auch ein Deinstallationsprogramm, das Sie für Updates mit neueren Versionen des Dienstprogramms Blackmagic Camera Setup benötigen werden.



Aktualisierung der Kamerasoftware auf Windows

Nachdem Sie das Dienstprogramm Blackmagic Camera Setup Utility heruntergeladen und die Datei entpackt haben, ist ein Ordner namens Blackmagic Camera Setup zu sehen, der eine PDF-Version dieser Bedienungsanleitung und das Programm Blackmagic Camera Setup Installer enthält. Doppelklicken Sie auf das Installationsprogramm und folgen Sie den auf dem Bildschirm angezeigten Anweisungen zur Fertigstellung der Installation.

Auf Windows 10: Klicken Sie auf den „Start“-Button und wählen Sie „All Apps“ (Alle Programme) aus. Scrollen Sie zum Blackmagic Design Ordner. Starten Sie von dort die Anwendung Blackmagic Camera Setup.

Klicken Sie auf Windows 8.1 auf dem Startbildschirm auf das Pfeilsymbol nach unten und scrollen Sie zum Blackmagic Design Ordner. Starten Sie von dort die Anwendung Blackmagic Camera Setup.

Interne Aktualisierung der Kamerasoftware

Schließen Sie Ihren Computer nach erfolgter Installation des aktuellsten Blackmagic Camera Setup Dienstprogramms über ein USB-C-Kabel an Ihre Kamera an.

Der USB-Port befindet sich an der linken Kameraseite. Öffnen Sie einfach die Gummiabdeckung, um an den Port zu gelangen.

Starten Sie das Dienstprogramm Blackmagic Camera Setup und folgen Sie den auf dem Bildschirm angezeigten Aufforderungen zur Aktualisierung der Kamerasoftware.

Empfohlene Speichermedien

CFast-2.0-Karten

Empfohlene Speichermedien für die Blackmagic Pocket Cinema Camera 6K

Für 6K-Aufzeichnungen in Blackmagic RAW 5:1 mit bis 50 fps empfehlen wir für die Pocket Cinema Camera 6K folgende CFast-2.0-Karten:

Marke	Kartenname	Speicherkapazität
Angelbird	AV PRO CF XT	512 GB
CinediskPro	510MB/s CFast 2.0	256 GB
Hagiwara Solutions	DC-SMAN64GA CFast 2.0	64 GB
Hagiwara Solutions	DC-SMANA1GA CFast 2.0	128 GB
KomputerBay	3400x CFast 2.0	64 GB
KomputerBay	3400x CFast 2.0	128 GB
Lexar	Professional 3400X CFast 2.0	128 GB
Lexar	Professional 3500X CFast 2.0	128 GB
ProGrade Digital	510MB/s CFast 2.0	128 GB
ProGrade Digital	550MB/s CFast 2.0	256 GB
ProGrade Digital	550MB/s CFast 2.0	512 GB
Transcend	CFX650 CFast 2.0 TS128GCFX650	128 GB
SanDisk	Extreme Pro CFast 2.0 SDCFSP-64G-x46D	64 GB
SanDisk	Extreme Pro CFast 2.0 SDCFSP-128G-x46D	128 GB
SanDisk	Extreme Pro CFast 2.0 SDCFSP-256G-x46D	256 GB
SanDisk	Extreme Pro CFast 2.0 SDCFSP-512G-x46D	512 GB
Silicon Power	CFX310 CFast 2.0	512 GB
Sony	CFast 2.0 G Series CAT-G64	64 GB
Sony	CFast 2.0 G Series CAT-G128	128 GB
Wise	CFA-2560 3400x CFast 2.0	256 GB
Wise	CFA-5120 3500x CFast 2.0	512 GB
Wise	CFA-10240 3500X CFast 2.0	1 TB

Für 6K-2,4:1-Aufzeichnungen in Blackmagic RAW 5:1 mit bis zu 60 fps empfehlen wir für die Pocket Cinema Camera 6K folgende CFast-2.0-Karten:

Marke	Kartenname	Speicherkapazität
Angelbird	AV PRO CF XT	512 GB
CinediskPro	510MB/s CFast 2.0	256 GB
Hagiwara Solutions	DC-SMAN64GA CFast 2.0	64 GB
Hagiwara Solutions	DC-SMANA1GA CFast 2.0	128 GB

Marke	Kartenname	Speicherkapazität
KomputerBay	3400x CFast 2.0	64 GB
KomputerBay	3400x CFast 2.0	128 GB
Lexar	Professional 3400X CFast 2.0	128 GB
Lexar	Professional 3500X CFast 2.0	128 GB
ProGrade Digital	510MB/s CFast 2.0	128 GB
ProGrade Digital	550MB/s CFast 2.0	256 GB
ProGrade Digital	550MB/s CFast 2.0	512 GB
Transcend	CFX650 CFast 2.0 TS128GCFX650	128 GB
SanDisk	Extreme Pro CFast 2.0 SDCFSP-64G-x46D	64 GB
SanDisk	Extreme Pro CFast 2.0 SDCFSP-128G-x46D	128 GB
SanDisk	Extreme Pro CFast 2.0 SDCFSP-256G-x46D	256 GB
SanDisk	Extreme Pro CFast 2.0 SDCFSP-512G-x46D	512 GB
Silicon Power	CFX310 CFast 2.0	256 GB
Silicon Power	CFX310 CFast 2.0	512 GB
Sony	CFast 2.0 G Series CAT-G64	64 GB
Sony	CFast 2.0 G Series CAT-G128	128 GB
Wise	CFA-1280 3400x CFast 2.0	128 GB
Wise	CFA-2560 3400x CFast 2.0	256 GB
Wise	CFA-5120 3500x CFast 2.0	512 GB
Wise	CFA-10240 3500X CFast 2.0	1 TB

Für 2,8K-17:9-Aufzeichnungen in Blackmagic RAW 3:1 mit bis zu 120 fps empfehlen wir für die Pocket Cinema Camera 6K folgende CFast-2.0-Karten:

Marke	Kartenname	Speicherkapazität
Angelbird	AV PRO CF XT	512 GB
CinediskPro	510MB/s CFast 2.0	256 GB
Hagiwara Solutions	DC-SMAN64GA CFast 2.0	64 GB
Hagiwara Solutions	DC-SMANA1GA CFast 2.0	128 GB
KomputerBay	3400x CFast 2.0	64 GB
KomputerBay	3400x CFast 2.0	128 GB
Lexar	Professional 3400X CFast 2.0	128 GB
Lexar	Professional 3500X CFast 2.0	128 GB
Lexar	Professional 3400X CFast 2.0	256 GB
ProGrade Digital	510MB/s CFast 2.0	128 GB
ProGrade Digital	550MB/s CFast 2.0	256 GB
ProGrade Digital	550MB/s CFast 2.0	512 GB
Transcend	CFX650 CFast 2.0 TS128GCFX650	128 GB

Marke	Kartenname	Speicherkapazität
SanDisk	Extreme Pro CFast 2.0 SDCFSP-64G-x46D	64 GB
SanDisk	Extreme Pro CFast 2.0 SDCFSP-128G-x46D	128 GB
SanDisk	Extreme Pro CFast 2.0 SDCFSP-256G-x46D	256 GB
SanDisk	Extreme Pro CFast 2.0 SDCFSP-512G-x46D	512 GB
Silicon Power	CFX310 CFast 2.0	256 GB
Silicon Power	CFX310 CFast 2.0	512 GB
Sony	CFast 2.0 G Series CAT-G64	64 GB
Sony	CFast 2.0 G Series CAT-G128	128 GB
Wise	CFA-1280 3400x CFast 2.0	128 GB
Wise	CFA-2560 3400x CFast 2.0	256 GB
Wise	CFA-5120 3500x CFast 2.0	512 GB
Wise	CFA-10240 3500X CFast 2.0	1 TB

Für 4K-DCI-Aufzeichnungen in ProRes HQ mit bis zu 60 fps empfehlen wir für die Pocket Cinema Camera 6K folgende CFast-2.0-Karten:

Marke	Kartenname	Speicherkapazität
Angelbird	AV PRO CF XT	512 GB
CinediskPro	510MB/s CFast 2.0	256 GB
Hagiwara Solutions	DC-SMAN64GA CFast 2.0	64 GB
Hagiwara Solutions	DC-SMANA1GA CFast 2.0	128 GB
KomputerBay	3400x CFast 2.0	64 GB
KomputerBay	3400x CFast 2.0	128 GB
Lexar	Professional 3400X CFast 2.0	128 GB
Lexar	Professional 3500X CFast 2.0	128 GB
Lexar	Professional 3400X CFast 2.0	256 GB
ProGrade Digital	510MB/s CFast 2.0	128 GB
ProGrade Digital	550MB/s CFast 2.0	256 GB
ProGrade Digital	550MB/s CFast 2.0	512 GB
Transcend	CFX650 CFast 2.0 TS128GCFX650	128 GB
SanDisk	Extreme Pro CFast 2.0 SDCFSP-64G-x46D	64 GB
SanDisk	Extreme Pro CFast 2.0 SDCFSP-128G-x46D	128 GB
SanDisk	Extreme Pro CFast 2.0 SDCFSP-256G-x46D	256 GB
SanDisk	Extreme Pro CFast 2.0 SDCFSP-512G-x46D	512 GB
Silicon Power	CFX310 CFast 2.0	256 GB
Silicon Power	CFX310 CFast 2.0	512 GB
Sony	CFast 2.0 G Series CAT-G64	64 GB
Sony	CFast 2.0 G Series CAT-G128	128 GB

Marke	Kartenname	Speicherkapazität
Wise	CFA-1280 3400x CFast 2.0	128GB
Wise	CFA-2560 3400x CFast 2.0	256GB
Wise	CFA-5120 3500x CFast 2.0	512GB
Wise	CFA-10240 3500X CFast 2.0	1 TB

Für 1080-Aufzeichnungen in ProRes 422 HQ mit bis zu 120 fps empfehlen wir für die Pocket Cinema Camera 6K folgende CFast-2.0-Karten:

Marke	Kartenname	Speicherkapazität
Angelbird	AV PRO CF XT	512 GB
CinediskPro	510MB/s CFast 2.0	256 GB
Hagiwara Solutions	DC-SMAN64GA CFast 2.0	64 GB
Hagiwara Solutions	DC-SMANA1GA CFast 2.0	128 GB
KomputerBay	3400x CFast 2.0	64 GB
KomputerBay	3400x CFast 2.0	128 GB
Lexar	Professional 3400X CFast 2.0	128 GB
Lexar	Professional 3500X CFast 2.0	128 GB
Lexar	Professional 3400X CFast 2.0	256 GB
ProGrade Digital	510MB/s CFast 2.0	128 GB
ProGrade Digital	550MB/s CFast 2.0	256 GB
ProGrade Digital	550MB/s CFast 2.0	512 GB
Transcend	CFX650 CFast 2.0 TS128GCFX650	128 GB
SanDisk	Extreme Pro CFast 2.0 SDCFSP-64G-x46D	64 GB
SanDisk	Extreme Pro CFast 2.0 SDCFSP-128G-x46D	128 GB
SanDisk	Extreme Pro CFast 2.0 SDCFSP-256G-x46D	256 GB
SanDisk	Extreme Pro CFast 2.0 SDCFSP-512G-x46D	512 GB
Silicon Power	CFX310 CFast 2.0	256 GB
Silicon Power	CFX310 CFast 2.0	512 GB
Sony	CFast 2.0 G Series CAT-G64	64 GB
Sony	CFast 2.0 G Series CAT-G128	128 GB
Wise	CFA-1280 3400x CFast 2.0	128 GB
Wise	CFA-2560 3400x CFast 2.0	256 GB
Wise	CFA-5120 3500x CFast 2.0	512 GB
Wise	CFA-10240 3500X CFast 2.0	1 TB

Empfohlene Speichermedien für die Blackmagic Pocket Cinema Camera 4K

Für 4K-DCI-Aufzeichnungen in Blackmagic RAW 3:1 mit bis zu 60 fps empfehlen wir für die Pocket Cinema Camera 4K folgende CFast-2.0-Karten:

Marke	Kartenname	Speicherkapazität
Angelbird	AV PRO CF	512 GB
Angelbird	AV PRO CF	1 TB
CinediskPro	510MB/s CFast 2.0	256 GB
Hagiwara Solutions	DC-SMAN64GA CFast 2.0	64 GB
Hagiwara Solutions	DC-SMANA1GA CFast 2.0	128 GB
KomputerBay	3400x CFast 2.0	64 GB
KomputerBay	3400x CFast 2.0	128 GB
KomputerBay	3700x CFast 2.0	256 GB
Lexar	Professional 3400x CFast 2.0	128 GB
Lexar	Professional 3500x CFast 2.0	256 GB
ProGrade Digital	550MB/s CFast 2.0	128 GB
ProGrade Digital	550MB/s CFast 2.0	256 GB
ProGrade Digital	550MB/s CFast 2.0	512 GB
SanDisk	Extreme Pro CFast 2.0 SDCFSP-256G-x46D	512 GB
Wise	CFA-1280 3400x CFast 2.0	128 GB
Wise	CFA-2560 3400x CFast 2.0	256 GB
Wise	CFA-5120 3500x CFast 2.0	512 GB
Wise	CFA-10240 3500x CFast 2.0	1 TB

Für 4K-DCI-Aufzeichnungen in ProRes HQ mit bis zu 60 fps empfehlen wir für die Pocket Cinema Camera 4K folgende CFast-2.0-Karten:

Marke	Kartenname	Speicherkapazität
Angelbird	AV PRO CF	128 GB
Angelbird	AV PRO CF	256 GB
Angelbird	AV PRO CF	512 GB
CinediskPro	510MB/s CFast 2.0	256 GB
Hagiwara Solutions	DC-SMAN64GA CFast 2.0	64 GB
Hagiwara Solutions	DC-SMANA1GA CFast 2.0	128 GB
KomputerBay	3400x CFast 2.0	128 GB
KomputerBay	3700x CFast 2.0	256 GB
ProGrade Digital	550MB/s CFast 2.0	256 GB
ProGrade Digital	550MB/s CFast 2.0	512 GB
SanDisk	Extreme Pro CFast 2.0 SDCFSP-64G-x46D	64 GB
SanDisk	Extreme Pro CFast 2.0 SDCFSP-128G-x46D	128 GB

Marke	Kartenname	Speicherkapazität
SanDisk	Extreme Pro CFast 2.0 SDCFSP-256G-x46D	256 GB
Sony	CFast 2.0 G Series CAT-G64	64 GB
Sony	CFast 2.0 G Series CAT-G128	128 GB
Wise	CFA-1280 3400x CFast 2.0	128 GB
Wise	CFA-2560 3400x CFast 2.0	256 GB
Wise	CFA-5120 3500x CFast 2.0	512 GB
Wise	CFA-10240 3500x CFast 2.0	1 TB

Für verlustfreie RAW-Aufzeichnungen in 4K DCI mit bis zu 30 fps empfehlen wir für die Blackmagic Pocket Cinema Camera 4K folgende CFast-2.0-Karten:

Marke	Kartenname	Speicherkapazität
Angelbird	AV PRO CF	128 GB
Angelbird	AV PRO CF	256 GB
Angelbird	AV PRO CF	512 GB
CinediskPro	510MB/s CFast 2.0	256 GB
KomputerBay	3400x CFast 2.0	128 GB
ProGrade Digital	550MB/s CFast 2.0	256 GB
ProGrade Digital	550MB/s CFast 2.0	512 GB
SanDisk	Extreme Pro CFast 2.0 SDCFSP-64G-x46D	64 GB
SanDisk	Extreme Pro CFast 2.0 SDCFSP-128G-x46D	128 GB
SanDisk	Extreme Pro CFast 2.0 SDCFSP-256G-x46D	256 GB
Sony	CFast 2.0 G Series CAT-G64	64 GB
Sony	CFast 2.0 G Series CAT-G128	128 GB
Wise	CFA-1280 3400x CFast 2.0	128 GB
Wise	CFA-2560 3400x CFast 2.0	256 GB
Wise	CFA-5120 3500x CFast 2.0	512 GB

Für 4K-DCI-Aufzeichnungen in RAW 3:1 mit bis zu 60 fps empfehlen wir für die Pocket Cinema Camera 4K folgende CFast-2.0-Karten:

Marke	Kartenname	Speicherkapazität
Angelbird	AV PRO CF	128 GB
Angelbird	AV PRO CF	256 GB
Angelbird	AV PRO CF	512 GB
CinediskPro	510MB/s CFast 2.0	256 GB
KomputerBay	3400x CFast 2.0	128 GB
ProGrade Digital	550MB/s CFast 2.0	256 GB

Marke	Kartenname	Speicherkapazität
ProGrade Digital	550MB/s CFast 2.0	512 GB
SanDisk	Extreme Pro CFast 2.0 SDCFSP-64G-x46D	64 GB
SanDisk	Extreme Pro CFast 2.0 SDCFSP-128G-x46D	128 GB
SanDisk	Extreme Pro CFast 2.0 SDCFSP-256G-x46D	256 GB
Sony	CFast 2.0 G Series CAT-G64	64 GB
Sony	CFast 2.0 G Series CAT-G128	128 GB
Wise	CFA-1280 3400x CFast 2.0	128 GB
Wise	CFA-2560 3400x CFast 2.0	256 GB
Wise	CFA-5120 3500x CFast 2.0	512 GB

SD-Karten

Empfohlene Speichermedien für die Blackmagic Pocket Cinema Camera 6K

Für 6K-16:9-Aufzeichnungen in Blackmagic RAW 5:1 mit bis zu 30 fps empfehlen wir für die Pocket Cinema Camera 6K folgende SD-Karten:

Marke	Kartenname	Speicherkapazität
Angelbird	AV PRO SD V90	64 GB
Sony	Tough SF-G32T	32 GB
Sony	Tough SF-G64T	64 GB
Sony	Tough SF-G128T	128 GB
Toshiba	Exceria Pro UHS-II 270MB/s SDXC	64 GB
Wise	SD2-128U3 SDXC UHS-II	128 GB

Für 6K-16:9-Aufzeichnungen in Blackmagic RAW 8:1 mit bis zu 30 fps empfehlen wir für die Pocket Cinema Camera 6K folgende SD-Karten:

Marke	Kartenname	Speicherkapazität
Angelbird	AV PRO SD V90	64 GB
Sony	Tough SF-G32T	32 GB
Sony	Tough SF-G64T	64 GB
Sony	Tough SF-G128T	128 GB
Toshiba	Exceria Pro UHS-II 270MB/s SDXC	64 GB
Toshiba	Exceria Pro UHS-II 270MB/s SDXC	128 GB
Toshiba	Exceria Pro UHS-II N502 SDXC	128 GB
Wise	SD2-128U3 SDXC UHS-II	128 GB

Für 6K-2,4:1-Aufzeichnungen in Blackmagic RAW 12:1 mit bis zu 60 fps empfehlen wir für die Pocket Cinema Camera 6K folgende SD-Karten:

Marke	Kartenname	Speicherkapazität
Angelbird	AV PRO SD V90	64 GB
Sony	Tough SF-G32T	32 GB
Sony	Tough SF-G64T	64 GB
Sony	Tough SF-G128T	128 GB
Toshiba	Exceria Pro UHS-II 270MB/s SDXC	64 GB
Toshiba	Exceria Pro UHS-II 270MB/s SDXC	128 GB
Toshiba	Exceria Pro UHS-II N502 SDXC	128 GB

Für 4K-DCI-Aufzeichnungen in ProRes HQ mit bis zu 60 fps empfehlen wir für die Pocket Cinema Camera 6K folgende SD-Karten:

Marke	Kartenname	Speicherkapazität
Angelbird	AV PRO SD V90	64 GB
Delkin Devices	Power SDXC USH-II	64 GB
Delkin Devices	Prime SDXC USH-II	128 GB
ProGrade Digital	V90 UHS-II 250MB/s SDXC	128 GB
ProGrade Digital	V90 UHS-II 250MB/s SDXC	256 GB
Sony	Tough SF-G32T	32 GB
Sony	Tough SF-G64T	64 GB
Sony	Tough SF-G128T	128 GB
Wise	SD2-64U3 SDXC UHS-II	64 GB
Wise	SD2-128U3 SDXC UHS-II	128 GB
Toshiba	Exceria Pro UHS-II N502 SDXC	128 GB

Für 1080-Aufzeichnungen in ProRes 422 HQ mit bis zu 120 fps empfehlen wir für die Pocket Cinema Camera 6K folgende SD-Karten:

Marke	Kartenname	Speicherkapazität
Angelbird	AV PRO SD V90	64 GB
Delkin Devices	Power SDXC USH-II	64 GB
Delkin Devices	Prime SDXC USH-II	128 GB
Lexar	Professional 2000x UHS-II 300MB/s SDXC	64 GB
Lexar	Professional 2000x UHS-II 300MB/s SDXC	128 GB
ProGrade Digital	V90 UHS-II 250MB/s SDXC	256 GB
Sony	Tough SF-G32T	32 GB
Sony	Tough SF-G64T	64 GB

Marke	Kartenname	Speicherkapazität
Sony	Tough SF-G128T	128 GB
Toshiba	Exceria Pro UHS-II 270MB/s SDXC	64 GB
Toshiba	Exceria Pro UHS-II 270MB/s SDXC	128 GB
Toshiba	Exceria Pro UHS-II N502 SDXC	128 GB
Toshiba	Exceria Pro UHS-II N502 SDXC	256 GB
Wise	SD2-64U3 SDXC UHS-II	64 GB
Wise	SD2-128U3 SDXC UHS-II	128 GB

Empfohlene Speichermedien für die Blackmagic Pocket Cinema Camera 4K

Für 4K-DCI-Aufzeichnungen in Blackmagic RAW 12:1 mit bis zu 30 fps empfehlen wir für die Pocket Cinema Camera 4K folgende SD-Karten:

Marke	Kartenname	Speicherkapazität
Angelbird	AV PRO SD V90	64 GB
Delkin Devices	Power UHS-II SDXC	64 GB
Delkin Devices	Power UHS-II SDXC	128 GB
Lexar	Professional 2000x UHS-II 300MB/s SDXC	64 GB
ProGrade Digital	V90 UHS-II 250MB/s SDXC	256 GB
SanDisk	Extreme Pro UHS-I 95MB/s SDXC	512 GB
Sony	Tough SF-G64T	64 GB
Sony	Tough SF-G128T	128 GB
Sony	SF-G64 300MB/s UHS-II SDXC	64 GB
Toshiba	Exceria Pro UHS-II N502 SDHC	32 GB
Toshiba	Exceria Pro UHS-II 270MB/s SDXC	64 GB
Wise	SD2-64U3 SDXC UHS-II	64 GB
Wise	SD2-128U3 SDXC UHS-II	128 GB
Wise	SD2-128U3 SDXC UHS-II	128 GB

Für 4K-DCI-Aufzeichnungen in ProRes HQ mit bis zu 60 fps empfehlen wir für die Pocket Cinema Camera 4K folgende SD-Karten:

Marke	Kartenname	Speicherkapazität
Wise	SD2-64U3 SDXC UHS-II	64 GB
Wise	SD2-128U3 SDXC UHS-II	128 GB
Sony	Tough SF-G64T	64 GB
Sony	Tough SF-G128T	128 GB

Für 4K-DCI-Aufzeichnungen in RAW 4:1 mit bis zu 60 fps empfehlen wir für die Pocket Cinema Camera 4K folgende SD-Karten:

Marke	Kartenname	Speicherkapazität
Sony	Tough SF-G64T	64 GB
Sony	Tough SF-G128T	128 GB
Toshiba	Exceria Pro UHS-II N502 SDXC	32 GB

Für verlustfreie RAW-Aufzeichnungen in 4K DCI mit bis zu 24 fps empfehlen wir für die Pocket Cinema Camera 4K folgende SD-Karten:

Marke	Kartenname	Speicherkapazität
Wise	SD2-64U3 SDXC UHS-II	64 GB
Wise	SD2-128U3 SDXC UHS-II	128 GB
Toshiba	Exceria Pro UHS-II N502 SDXC	32 GB
Sony	Tough SF-G64T	64 GB
Sony	Tough SF-G128T	128 GB

Für verlustfreie RAW-Aufzeichnungen in 1080p mit bis zu 60 fps empfehlen wir für die Pocket Cinema Camera 4K folgende SD-Karten:

Marke	Kartenname	Speicherkapazität
Wise	SD2-64U3 SDXC UHS-II	64 GB
Wise	SD2-128U3 SDXC UHS-II	128 GB
Sony	Tough SF-G64T	64 GB
Sony	Tough SF-G128T	128 GB
Toshiba	Exceria Pro UHS-II N502 SDXC	32 GB
Toshiba	Exceria Pro UHS-II N502 SDXC	64 GB
Toshiba	Exceria Pro UHS-II N502 SDXC	128 GB
Toshiba	Exceria Pro UHS-II N502 SDXC	256 GB
Sony	Tough SF-G128T	128 GB

USB-C-SSDs

Empfohlene Speichermedien für die Blackmagic Pocket Cinema Camera 6K

Für 6K-Aufzeichnungen in Blackmagic RAW 5:1 mit bis zu 50 fps empfehlen wir für die Pocket Cinema Camera 6K folgende USB-C-Laufwerke:

Marke	Kartenname	Speicherkapazität
Wise	PTS-1024 Portable SSD	1 TB

Für 6K-2,4:1-Aufzeichnungen in Blackmagic RAW 5:1 mit bis zu 60 fps empfehlen wir für die Pocket Cinema Camera 6K folgende USB-C-Laufwerke:

Marke	Kartename	Speicherkapazität
Samsung	Portable SSD T5	250 GB
Samsung	Portable SSD T5	2 TB
Wise	PTS-1024 Portable SSD	1 TB

Für 2,8K-17:9-Aufzeichnungen in Blackmagic RAW 3:1 mit bis zu 120 fps empfehlen wir für die Pocket Cinema Camera 6K folgende USB-C-Laufwerke:

Marke	Kartename	Speicherkapazität
Samsung	Portable SSD T5	250 GB
Samsung	Portable SSD T5	2 TB
Wise	PTS-512 Portable SSD	512 GB
Wise	PTS-1024 Portable SSD	1 TB

Für 4K-DCI-Aufzeichnungen in ProRes HQ mit bis zu 60 fps empfehlen wir für die Pocket Cinema Camera 6K folgende USB-C-Laufwerke:

Marke	Kartename	Speicherkapazität
Samsung	Portable SSD T5	250 GB
Samsung	Portable SSD T5	1 TB
Samsung	Portable SSD T5	2 TB
SanDisk	Extreme Portable SSD	1 TB
Wise	PTS-512 Portable SSD	512 GB
Wise	PTS-1024 Portable SSD	1 TB
Wise	PTS-1024 Portable SSD	1 TB

Für 1080-Aufzeichnungen in ProRes 422 HQ mit bis zu 120 fps empfehlen wir für die Pocket Cinema Camera 6K folgende USB-C-Laufwerke:

Marke	Kartename	Speicherkapazität
Samsung	Portable SSD T5	250 GB
Samsung	Portable SSD T5	1 TB
Samsung	Portable SSD T5	2 TB
SanDisk	Extreme Portable SSD	1 TB
Wise	PTS-512 Portable SSD	512 GB
Wise	PTS-1024 Portable SSD	1 TB
Wise	PTS-1024 Portable SSD	1 TB

Empfohlene Speichermedien für die Blackmagic Pocket Cinema Camera 4K

Für 4K-DCI-Aufzeichnungen in Blackmagic RAW 3:1 mit bis zu 60 fps empfehlen wir für die Pocket Cinema Camera 4K folgende USB-C-Laufwerke:

Marke	Kartenname	Speicherkapazität
Angelbird	SSD2GO PKT	512 GB
Angelbird	SSD2GO PKT	2 TB
G-Technology	G-DRIVE Mobile SSD	1 TB
Samsung	Portable SSD T5	2 TB
Wise	PTS-512 Portable SSD	512 GB

Für 4K-DCI-Aufzeichnungen in ProRes HQ mit bis zu 60 fps empfehlen wir für die Pocket Cinema Camera 4K folgende USB-C-Laufwerke:

Marke	Kartenname	Speicherkapazität
Angelbird	SSD2GO PKT	512 GB
Angelbird	SSD2GO PKT	2 TB
Glyph	Atom	500 GB
Lacie	Portable SSD	500 GB
Samsung	Portable SSD T5	500 GB
Samsung	Portable SSD T5	1 TB
SanDisk	Extreme Portable SSD	1 TB
Seagate	Fast SSD	250 GB
Wise	PTS-256 Portable SSD	256 GB
Wise	PTS-512 Portable SSD	512 GB
Wise	PTS-1024 Portable SSD	1 TB

Für verlustfreie RAW-Aufzeichnungen in 4K DCI mit bis zu 30 fps empfehlen wir für die Pocket Cinema Camera 4K folgende USB-C-Laufwerke:

Marke	Kartenname	Speicherkapazität
Angelbird	SSD2GO PKT	512 GB
Angelbird	SSD2GO PKT	2 TB
Samsung	Portable SSD T5	1 TB
Wise	PTS-256 Portable SSD	256 GB
Wise	PTS-512 Portable SSD	512 GB
Wise	PTS-1024 Portable SSD	1 TB

Für 4K-DCI-Aufzeichnungen in RAW 3:1 mit bis zu 60 fps empfehlen wir für die Pocket Cinema Camera 4K folgende USB-C-Laufwerke:

Marke	Kartenname	Speicherkapazität
Angelbird	SSD2GO PKT	512 GB
Angelbird	SSD2GO PKT	2 TB
Samsung	Portable SSD T5	500 GB
Samsung	Portable SSD T5	1 TB
Wise	PTS-256 Portable SSD	256 GB
Wise	PTS-512 Portable SSD	512 GB
Wise	PTS-1024 Portable SSD	1 TB

Hilfe

Am schnellsten erhalten Sie Hilfe über die Online-Support-Seiten auf der Blackmagic Design-Website. Sehen Sie dort nach der aktuellsten Support-Dokumentation für Ihre Kamera.

Blackmagic Design Online Support Seiten

Die aktuellsten Versionen der Bedienungsanleitung, Produktsoftware und Support-Hinweise finden Sie im Blackmagic Support Center unter www.blackmagicdesign.com/de/support.

Kontaktaufnahme mit dem Blackmagic Design Support

Keine Antwort in unserem Support-Material gefunden? Dann gehen Sie bitte auf unsere Support-Seite. Klicken Sie dort auf „Senden Sie uns eine E-Mail“ und schicken Sie uns Ihre Support-Anfrage. Oder klicken Sie auf „Finden Sie Ihr lokales Support-Team“ und rufen Sie Ihre nächstgelegene Blackmagic Design Support Stelle an.

Überprüfen der aktuell installierten Softwareversion

Um zu überprüfen, welche Version von Blackmagic Camera Setup auf Ihrem Computer installiert ist, öffnen Sie das Fenster „About Blackmagic Camera Setup“.

- Öffnen Sie Blackmagic Camera Setup auf Mac über den Ordner „Programme“. Wählen Sie im Anwendungsmenü „About Blackmagic Camera Setup“ aus, um die Versionsnummer nachzusehen.
- Öffnen Sie Blackmagic Camera Setup auf Windows über das Startmenü oder den Startbildschirm. Klicken Sie auf das Menü „Hilfe“ und wählen Sie „About Blackmagic Camera Setup“ aus, um die Versionsnummer nachzusehen.

So erhalten Sie die aktuellsten Softwareaktualisierungen

Prüfen Sie zunächst, welche Version des Dienstprogramms Blackmagic Camera Utility auf Ihrem Computer installiert ist. Sehen Sie dann im Blackmagic Support Center www.blackmagicdesign.com/de/support nach neueren Aktualisierungen. In der Regel empfiehlt es sich, die neuesten Updates zu laden. Vermeiden Sie jedoch Software-Updates mitten in einem wichtigen Projekt.

Gesetzliche Vorschriften

Entsorgung von elektrischen und elektronischen Geräten innerhalb der Europäischen Union



Das auf dem Produkt abgebildete Symbol weist darauf hin, dass dieses Gerät nicht zusammen mit anderen Abfallstoffen entsorgt werden darf. Altgeräte müssen daher zur Wiederverwertung an eine dafür vorgesehene Sammelstelle übergeben werden. Mülltrennung und Wiederverwertung von Altgeräten tragen zum nachhaltigen Umgang mit natürlichen Ressourcen bei. Gleichzeitig wird sichergestellt, dass die Wiederverwertung nicht zulasten der menschlichen Gesundheit und der Umwelt geht. Weitere Informationen zur Entsorgung von Altgeräten sowie zu den Standorten der zuständigen Sammelstellen erhalten Sie von Ihren örtlichen Müllentsorgungsbetrieben sowie vom Händler, bei dem Sie dieses Produkt erworben haben.

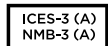


Dieses Gerät wurde geprüft und entspricht den Grenzwerten für Digitalgeräte der Klasse A gemäß Abschnitt 15 der FCC-Bestimmungen für Funkstörung. Diese Grenzwerte dienen dem angemessenen Schutz gegen schädliche Störungen bei Betrieb des Geräts in einer kommerziellen Einrichtung. Geräte dieser Art erzeugen und verwenden Hochfrequenzen und können diese auch ausstrahlen. Bei Nichteinhaltung der Installations- und Gebrauchsvorschriften können sie zu Störungen beim Rundfunkempfang führen. Der Betrieb solcher Geräte im Wohnbereich führt mit großer Wahrscheinlichkeit zu Funkstörungen. In diesem Fall kann vom Betreiber verlangt werden, selbst für die Beseitigung solcher Störungen aufzukommen.

Der Betrieb unterliegt den folgenden zwei Bedingungen:

- 1 Dieses Gerät darf keine schädigenden Störungen hervorrufen.
- 2 Dieses Gerät muss allen Störungen standhalten, einschließlich Störungen, die einen unerwünschten Betrieb zur Folge haben

ISED-Zertifizierung für den kanadischen Markt



Dieses Gerät erfüllt die kanadischen Vorschriften für digitale Geräte der Klasse A.

Jedwede an diesem Produkt vorgenommene Änderung oder unsachgemäße Verwendung kann die Konformitätserklärung zum Erlöschen bringen.

Verbindungen zu HDMI-Schnittstellen müssen über abgeschirmte HDMI-Kabel hergestellt werden.

Die Ausstattung wurde unter Einhaltung der beabsichtigten Nutzung in einer gewerblichen Umgebung getestet. Sollte die Ausstattung in einer häuslichen Umgebung eingesetzt werden, kann es zu Funkstörungen kommen.

BLUETOOTH®

Das Produkt ist ein für Bluetooth-Drahtlostechnologie befähigtes Produkt.

Ausgestattet mit Sendermodul FCC ID: QOQBGM113

Das vorliegende Gerät erfüllt die Grenzwertbestimmungen der FCC für die Strahlenbelastung in unkontrollierten Umgebungen.

Ausgestattet mit Sendermodul IC: 5123A-BGM113

Dieses Gerät erfüllt die von Industry Canada vorgegebenen lizenzfreien RSS-Normen und ist gemäß RSS-102 Ausgabe 5 von den routinemäßigen SAR-Bewertungsgrenzen ausgenommen.

Zertifiziert für Japan unter Zertifikatnummer: 209-J00204. Dieses Gerät enthält spezifiziertes Funkequipment, das unter den Richtlinien für die Zertifizierung technischer Konformität gemäß des japanischen Funkgesetzes zertifiziert ist.

Dieses Modul ist in Südkorea zertifiziert, KC-Zertifizierungsnummer: MSIP-CRM-BGT-BGM113

Hiermit erklärt Blackmagic Design, dass die vom Produkt verwendeten Breitband-Übertragungssysteme für den Einsatz im 2,4 GHz ISM-Band die Vorschriften der EU-Richtlinie 2014/53/EU erfüllen.

Die Volltextversion der EU-Konformitätserklärung ist per Anfrage an compliance@blackmagicdesign.com erhältlich.

Sicherheitshinweise

Die Blackmagic Pocket Cinema Camera eignet sich für den Einsatz in tropischen Gebieten bei Umgebungstemperaturen bis zu 40 °C.

Es befinden sich keine durch den Anwender zu wartenden Teile im Inneren des Produkts. Wenden Sie sich für die Wartung an ein Blackmagic Design Service-Center in Ihrer Nähe.

Sorgen Sie bei sonnigen Verhältnissen für Schatten, um zu vermeiden, dass Ihre Kamera und der Lithium-Akku für längere Zeit direkter Sonneneinstrahlung ausgesetzt sind. Halten Sie Lithium-Akkus von sämtlichen Hitzequellen fern.



Bei Verwendung des mitgelieferten Netzadapters nicht in Höhen von über 2000 m über dem Meeresspiegel einsetzen.

California Proposition 65

Plastikteile dieses Produkts können Spuren von polybromierten Biphenylen enthalten. Im US-amerikanischen Bundesstaat Kalifornien werden diese Chemikalien mit Krebs, Geburtsfehlern und anderen Schäden der Fortpflanzungsfähigkeit in Verbindung gebracht.

Weitere Informationen finden Sie unter www.P65Warnings.ca.gov.

Garantie

Eingeschränkte Garantie

Für dieses Produkt gewährt die Firma Blackmagic Design eine Garantie auf Material- und Verarbeitungsfehler von 12 Monaten ab Kaufdatum. Sollte sich ein Produkt innerhalb dieser Garantiezeit als fehlerhaft erweisen, wird die Firma Blackmagic Design nach ihrem Ermessen das defekte Produkt entweder ohne Kostenerhebung für Teile und Arbeitszeit reparieren oder Ihnen das defekte Produkt ersetzen.

Zur Inanspruchnahme der Garantieleistungen müssen Sie als Kunde Blackmagic Design über den Defekt innerhalb der Garantiezeit in Kenntnis setzen und die entsprechenden Vorkehrungen für die Leistungserbringung treffen. Es obliegt dem Kunden, für die Verpackung und den bezahlten Versand des defekten Produkts an ein spezielles von Blackmagic Design benanntes Service Center zu sorgen und hierfür aufzukommen. Sämtliche Versandkosten, Versicherungen, Zölle, Steuern und sonstige Abgaben im Zusammenhang mit der Rücksendung von Waren an uns, ungeachtet des Grundes, sind vom Kunden zu tragen.

Diese Garantie gilt nicht für Mängel, Fehler oder Schäden, die durch unsachgemäße Handhabung oder unsachgemäße oder unzureichende Wartung und Pflege verursacht wurden. Blackmagic Design ist im Rahmen dieser Garantie nicht verpflichtet, die folgenden Serviceleistungen zu erbringen: a) Behebung von Schäden infolge von Versuchen Dritter, die Installation, Reparatur oder Wartung des Produkts vorzunehmen, b) Behebung von Schäden aufgrund von unsachgemäßer Handhabung oder Anschluss an nicht kompatible Geräte, c) Behebung von Schäden oder Störungen, die durch die Verwendung von nicht Blackmagic Design Ersatzteilen oder -Verbrauchsmaterialien entstanden sind, d) Service für ein Produkt, das verändert oder in andere Produkte integriert wurde, sofern eine solche Änderung oder Integration zu einer Erhöhung des Zeitaufwands oder zu Schwierigkeiten bei der Wartung des Produkts führt.

ÜBER DIE IN DIESER GARANTIEERKLÄRUNG AUSDRÜCKLICH AUFGEFÜHRTEN ANSPRÜCHE HINAUS ÜBERNIMMT BLACKMAGIC DESIGN KEINE WEITEREN GARANTIEN, WEDER AUSDRÜCKLICH NOCH STILLSCHWEIGEND. DIE FIRMA BLACKMAGIC DESIGN UND IHRE HÄNDLER LEHNEN JEDLICHE STILLSCHWEIGENDEN GARANTIEN IN BEZUG AUF AUSSAGEN ZUR MARKTGÄNGIGKEIT UND GEBRAUCHSTAUGLICHKEIT FÜR EINEN BESTIMMTEN ZWECK AB. DIE VERANTWORTUNG VON BLACKMAGIC DESIGN, FEHLERHAFTER PRODUKTE ZU REPARIEREN ODER ZU ERSETZEN, IST DIE EINZIGE UND AUSSCHLIESSLICHE ABHILFE, DIE GEGENÜBER DEM KUNDEN FÜR ALLE INDIREKTEN, SPEZIELLEN, NEBEN- ODER FOLGESCHÄDEN ZUR VERFÜGUNG GESTELLT WIRD, UNABHÄNGIG DAVON, OB BLACKMAGIC DESIGN ODER DER HÄNDLER VON DER MÖGLICHKEIT SOLCHER SCHÄDEN ZUVOR IN KENNTNIS GESETZT WURDE. BLACKMAGIC DESIGN IST NICHT HAFTBAR FÜR JEDLICHE WIDERRECHTLICHE VERWENDUNG DER GERÄTE DURCH DEN KUNDEN. BLACKMAGIC HAFTET NICHT FÜR SCHÄDEN, DIE SICH AUS DER VERWENDUNG DES PRODUKTS ERGEBEN. NUTZUNG DES PRODUKTS AUF EIGENE GEFAHR.

© Copyright 2019 Blackmagic Design. Alle Rechte vorbehalten. „Blackmagic Design“, „URSA“, „DeckLink“, „HDLINK“, „Workgroup Videohub“, „Multibridge Pro“, „Multibridge Extreme“, „Intensity“ und „Leading the creative video revolution“ sind eingetragene Warenzeichen in den USA und in anderen Ländern. Alle anderen Unternehmens- und Produktnamen sind möglicherweise Warenzeichen der jeweiligen Firmen, mit denen sie verbunden sind.

Die „Bluetooth“-Wortmarke, -Marke und -Logos sind eingetragene Warenzeichen von Bluetooth SIG, Inc. und werden von Blackmagic Design im Rahmen einer erteilten Lizenz verwendet. Andere ausgewiesene Markennamen und Handelsmarken gehören ihren jeweiligen Eigentümern.



Manual de instalación y funcionamiento

Blackmagic Pocket Cinema Camera

Blackmagic Pocket Cinema Camera 6K

Blackmagic Pocket Cinema Camera 4K

Noviembre 2019

Español



Bienvenido

Gracias por haber adquirido este producto.

En 2013 lanzamos el modelo Blackmagic Pocket Cinema Camera original. Nos emocionaba haber diseñado una cámara compacta y portátil con un rango dinámico amplio y una calidad de imagen sin igual. Dado los comentarios positivos que recibimos, y considerando que nuestros usuarios querían una versión 4K, decidimos desarrollar el modelo Blackmagic Pocket Cinema Camera 4K en 2018. Ahora, estamos orgullosos de presentar la versión Blackmagic Pocket Cinema Camera 6K.

Este modelo presenta un sensor Super 35 y una montura para objetivos EF. Por su parte, la versión 4K incluye la misma montura Micro Cuatro Tercios que la cámara original, lo cual te brinda la posibilidad de emplear los objetivos que ya tienes. Asimismo, permite grabar a una frecuencia máxima de 60 f/s en 4K o 120 f/s en HD, empleando tarjetas CFast o UHS-II como soporte de almacenamiento. El modelo Blackmagic Pocket Cinema Camera 6K brinda opciones adicionales y la posibilidad de filmar a 120 f/s en 2.8K y a 60 f/s en 6K. Asimismo, el puerto USB-C facilita el uso de unidades externas que pueden conectarse directamente a cualquier equipo informático.

Gracias al rango dinámico de 13 pasos y a los dos valores ISO nativos, la cámara ofrece la oportunidad de obtener imágenes cinematográficas nítidas en distintas condiciones de iluminación. A su vez, la pantalla de cristal líquido de 5 pulgadas permite ver detalles y comprobar el enfoque con facilidad, incluso a plena luz del día, mientras que los cuatro micrófonos integrados graban el sonido con una gran calidad.

Los modelos Blackmagic Pocket Cinema Camera están fabricados a partir de un compuesto reforzado de fibra de carbono. Este no solo proporciona solidez a las unidades, sino que además hace que sean muy livianas y fáciles de transportar. Además, pueden alimentarse mediante una batería LP-E6 convencional, un adaptador de corriente alterna o una fuente externa de 12 V. Asimismo, incluyen nuestro códec Blackmagic RAW, que brinda la flexibilidad de dicho formato, procesando el material en un solo archivo, y mejoras de rendimiento al reducir el tamaño del mismo.

Nos gustaría ver la creatividad que eres capaz de lograr con estos modelos y esperamos recibir tus sugerencias con respecto a nuevas prestaciones que deberíamos incluir.

Grant Petty

Director ejecutivo de Blackmagic Design

Índice

Blackmagic Pocket Cinema Camera

Uso de un modelo específico	583	Ajustes de audio	648
Primeros pasos	584	Preferencias	651
Montaje del objetivo	584	Ajustes	660
Encendido de la cámara	585	Tablas de conversión tridimensionales	662
Instalación de la empuñadura		Metadatos	665
Blackmagic Pocket Camera Battery Grip	585	Claqueta virtual	665
Alimentación de la cámara		Salida de video de la cámara	670
mediante el cable incluido	587	DaVinci Resolve	671
Soportes de grabación	588	Organizador de proyectos	671
Tarjetas CFast	588	Edición con el módulo Montaje	672
Tarjetas SD	589	Agregar clips a la línea de tiempo	675
Unidades USB-C	591	Editar clips en la línea de tiempo	676
Preparación de soportes de grabación	593	Agregar títulos	676
Preparación de soportes de		Archivos Blackmagic RAW	677
grabación en los modelos		Etalonar los clips en el módulo Color	680
Blackmagic Pocket Cinema Camera	593	Creación de Power Windows	683
Preparación de soportes de		Complementos	685
grabación en equipos Mac	595	Mezcla de audio	686
Preparación de soportes de		Agregar efectos	
grabación en equipos Windows	596	visuales (VFX) y	
Grabación	597	composiciones desde el módulo Fusion	690
Grabación de material audiovisual	597	Masterización	699
Blackmagic RAW	598	Exportación rápida	699
Grabación en Blackmagic RAW	599	Módulo Entrega	700
Frecuencias de imagen		Otros programas de edición	701
máximas para el sensor	601	Acceso a archivos en tarjetas	
Tiempo de grabación	603	SD y CFast 2.0	701
Reproducción	608	Acceso a archivos en unidades USB-C	701
Características de la cámara	609	Final Cut Pro X	702
Parte frontal	609	Media Composer	702
Lateral derecho	610	Premiere Pro CC	703
Lateral izquierdo	610	Programa utilitario de la cámara	704
Panel superior	612	Soportes de grabación recomendados	705
Parte inferior	613	Tarjetas CFast 2.0	705
Parte trasera	614	Tarjetas SD	711
Controles de la pantalla táctil	615	Unidades SSD USB-C	714
Ajustes	636	Ayuda	718
Panel de opciones	636	Normativas	719
Ajustes de grabación	636	Seguridad	720
Convención para la		Garantía	721
nomenclatura de archivos	641		
Ajustes de monitorización	642		

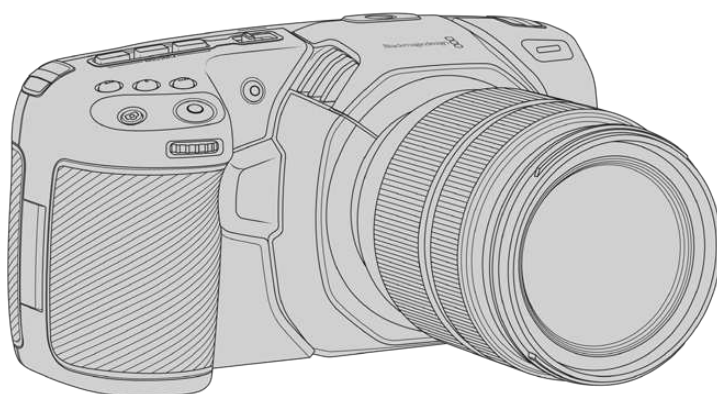
Uso de un modelo específico

Las cámaras Blackmagic Pocket Cinema Camera 6K y Blackmagic Pocket Cinema Camera 4K tienen una apariencia similar. Ambos modelos cuentan con el mismo armazón y permiten capturar imágenes excepcionales con un amplio rango dinámico. Los botones de control y los menús en pantalla tienen la misma distribución, y el funcionamiento de las cámaras es básicamente el mismo.

El modelo Blackmagic Pocket Cinema Camera 6K presenta un sensor Super 35 y una montura para objetivos EF, mientras que la Blackmagic Pocket Cinema Camera 4K incluye un sensor y una montura Micro Cuatro Tercios.



Blackmagic Pocket Cinema Camera 6K



Blackmagic Pocket Cinema Camera 4K

Primeros pasos

Estas cámaras cinematográficas digitales compactas y portátiles permiten grabar imágenes de alta calidad en tarjetas CFast 2.0, UHS-I y UHS-II, o en unidades SSD mediante el puerto USB-C. Asimismo, brindan la posibilidad de emplear formatos profesionales desarrollados para procesos de posproducción, tales como ProRes y Blackmagic RAW.

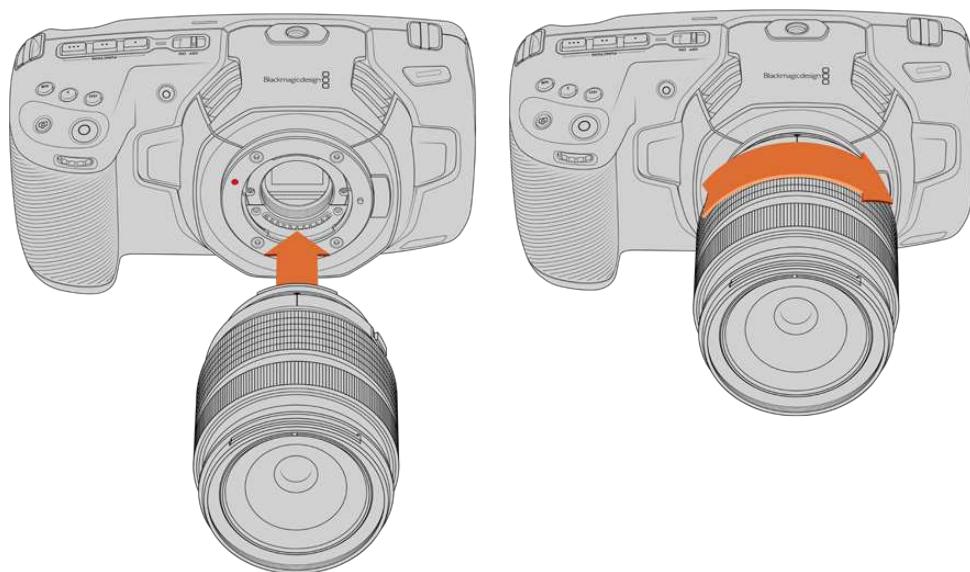
Para comenzar a utilizar uno de estos modelos, basta con colocar un objetivo y encenderlo.

Montaje del objetivo

El modelo Blackmagic Pocket Cinema Camera 6K utiliza objetivos EF, y la versión Blackmagic Pocket Cinema Camera 4K, Micro Cuatro Tercios. Existe una enorme variedad de estos, y además son muy populares y económicos. La instalación del objetivo es igual en ambas cámaras. El primer paso siempre consiste en quitar la tapa protectora. Mantenga presionado el botón de bloqueo y gire la tapa protectora de la montura hacia la izquierda para aflojarla y quitarla.

Para colocar una montura EF o Micro Cuatro Tercios:

- 1 El punto en el objetivo debe estar alineado con el de la montura de la cámara. Muchos modelos tienen un indicador visual, por ejemplo, un punto rojo, azul o blanco.
- 2 Inserte el objetivo en la montura y gírelo hacia la derecha hasta que calce en su lugar.
- 3 Para quitar el objetivo, mantenga presionado el botón de bloqueo, gírelo hacia la izquierda hasta aflojarlo y retírelo con cuidado.



Colocación de un objetivo Micro Cuatro Tercios en el modelo Blackmagic Pocket Cinema Camera 4K

NOTA: Cuando no hay ningún objetivo colocado en la cámara, el filtro de vidrio que cubre el sensor queda expuesto al polvo y la suciedad, por lo cual se recomienda cubrirlo con la tapa protectora, de ser posible.

Encendido de la cámara

Una vez colocado el objetivo en la cámara, es necesario suministrar corriente eléctrica a la unidad. Los modelos Blackmagic Pocket Cinema Camera pueden alimentarse mediante una batería LP-E6, las dos baterías NP-F570 de la empuñadura Blackmagic Pocket Camera Battery Grip, o conectándolos directamente a una toma de corriente mediante el adaptador incluido.

Colocación de la batería y encendido de la cámara

Las cámaras funcionan con baterías LP-E6 extraíbles. Se incluye una con la cámara, pero en caso de necesitar otras, es posible adquirirlas en todos los distribuidores de productos Blackmagic Design o en cualquier tienda especializada en video o fotografía.

- 1 Presione el seguro en la parte inferior de la cámara a fin de abrir la tapa del compartimiento para la batería.
- 2 Inserte la batería LP-E6 con los contactos orientados hacia la cámara y empújela hasta que calce en su lugar.

SUGERENCIA: Para extraer la batería, deslice el seguro hacia la parte frontal de la cámara.

- 3 Cierre la tapa del compartimiento para la batería y presiónela hasta que calce en su lugar.
- 4 Mueva el interruptor en la parte superior de la cámara a la posición **ON** para encenderla. Para apagarla, muévelo a la posición **OFF**.

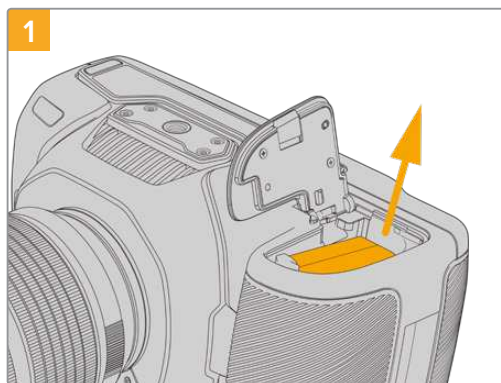
Instalación de la empuñadura Blackmagic Pocket Camera Battery Grip

Si cuenta con una empuñadura Blackmagic Pocket Camera Battery Grip, es recomendable instalarla en este momento, antes de continuar. Este accesorio ha sido diseñado tanto para la versión Blackmagic Pocket Camera 4K como para el modelo Blackmagic Pocket Camera 6K.

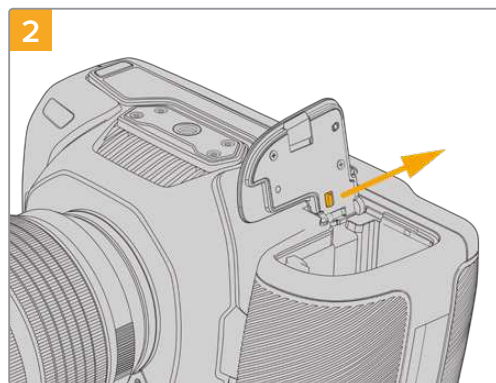
La empuñadura consiste en una manija horizontal que permite agarrar la cámara y cuenta con espacio para dos baterías NP-F570 serie L, por lo que es posible grabar de manera continua durante más de dos horas. Asimismo, dispone de una conexión de 12 V para corriente continua a fin de recargar las baterías y alimentar la cámara al mismo tiempo. Asimismo, es posible emplear el puerto USB-C para tal fin cuando la cámara está apagada.

Para instalar la empuñadura:

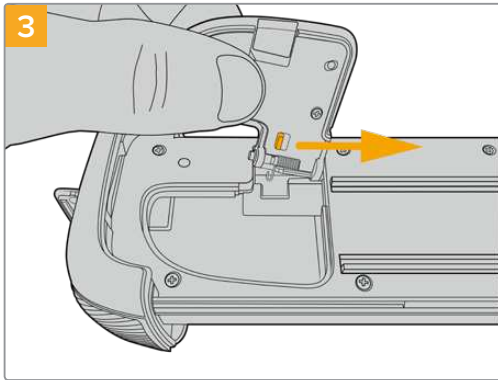
Antes de instalar la empuñadura, apague la cámara y desconecte cualquier otra fuente de alimentación externa.



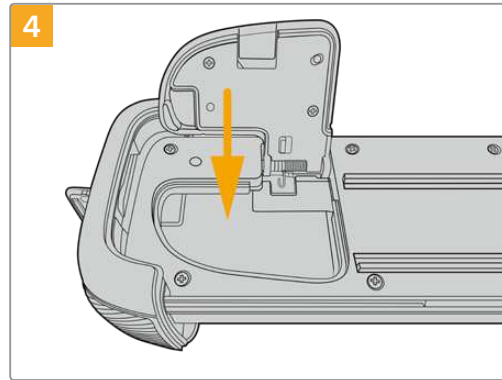
1 Abra el compartimiento para la batería de la cámara y retire la batería LP-E6.



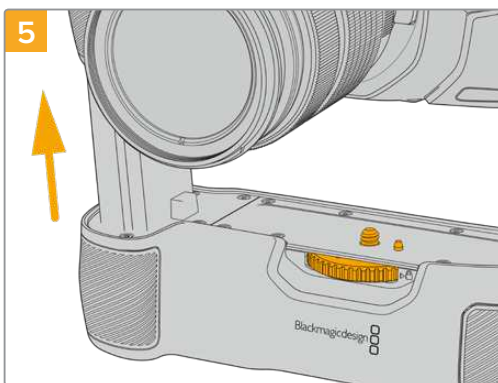
2 Deslice la pestaña que se encuentra cerca de la bisagra de la tapa y quite la tapa.



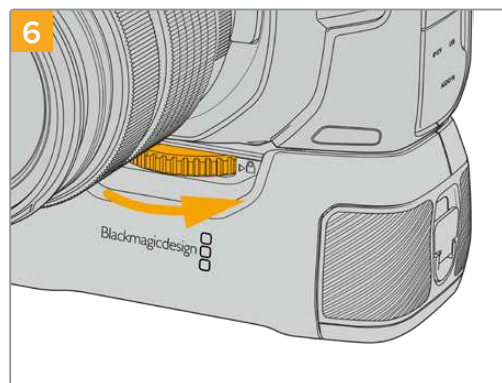
Para guardar la tapa en un lugar seguro, sujétela al hueco situado en la parte inferior de la empuñadura.



Cierre la tapa del compartimento, de forma que quede nivelada con la parte inferior de la empuñadura.

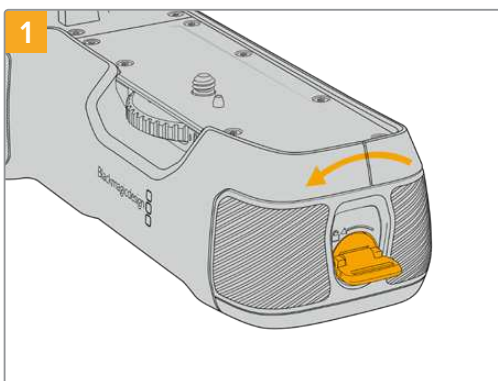


Inserte la parte de la empuñadura cuya forma se asemeja a la batería en el compartimento correspondiente en la cámara. El tornillo de 0.25 pulgadas en la parte superior de la empuñadura debe estar alineado con el orificio roscado en la base de la cámara. Asimismo, un taco al lado del tornillo ayuda a mantenerlo en su lugar.

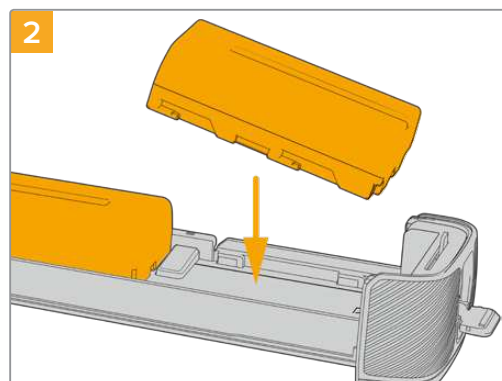


Gire la rueda en la parte frontal de la empuñadura hacia la derecha a fin de apretar el tornillo y sujetarla a la cámara.

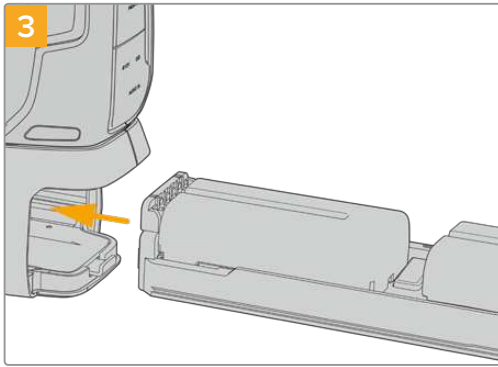
Para insertar baterías en la empuñadura:



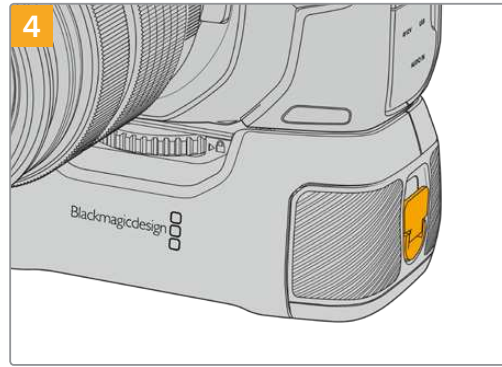
Gire la pestaña de bloqueo en el extremo de la empuñadura hacia la izquierda para acceder a la base para baterías y retírela. Este paso se puede realizar tanto antes como después de haber instalado la empuñadura en la cámara.



Coloque dos baterías NP-F570 en la base, asegurándose de que se encuentren orientadas correctamente, y deslícelas en sentido opuesto. La pestaña situada entre ambas se alzará para mantenerlas en su lugar. Para extraer las baterías, presione dicha pestaña y deslice una hacia la otra.



Inserte la base en la empuñadura y gire la pestaña de bloqueo hacia la derecha. Cabe destacar que, si la cámara está conectada a una fuente de alimentación externa, la grabación no se detendrá en el momento de cambiar las baterías en la empuñadura.



Gire la pestaña en el extremo de la empuñadura hacia la derecha para sujetar la base de las baterías.

SUGERENCIA: Cuando la empuñadura Blackmagic Pocket Camera Battery Grip está instalada y tiene dos baterías insertadas, el indicador en la esquina superior derecha de la pantalla de la cámara mostrará dos íconos que permiten ver el nivel de carga de cada una. Consulte el apartado *Alimentación* para obtener más información al respecto.

Alimentación de la cámara mediante el cable incluido

El adaptador de 100-240 V incluido con la cámara permite suministrar corriente a la unidad y cargar al mismo tiempo tanto la batería LP-E6 como las dos NP-F570, en caso de tener instalada una empuñadura Blackmagic Pocket Camera Battery Grip. Por su parte, el conector cuenta con un mecanismo de bloqueo que impide que el cable se desconecte accidentalmente.

Para conectar una fuente de alimentación externa:

- 1 Enchufe el adaptador de 12 V en una toma de corriente.
- 2 Abra el protector de goma en el lateral izquierdo de la cámara y gire el conector del cable a fin de que coincida con la pequeña hendidura en la parte superior de la conexión para fuentes de alimentación. Empuje el conector suavemente hasta que calce en su lugar.
- 3 Para desconectarlo, retraiga la cubierta de goma que lo rodea y tire del mismo.

Si la cámara tiene una batería y a su vez se encuentra conectada a una fuente de alimentación externa, funcionará con la corriente suministrada por esta última. Al desconectarla, seguirá funcionando con la batería.

La batería LP-E6 puede cargarse a través del puerto USB si la cámara está apagada. Esto brinda la posibilidad de utilizar cargadores portátiles cuando la unidad no está en uso. Los modelos Blackmagic Pocket Cinema Camera admiten cargadores USB de 10 W, así como aquellos compatibles con la tecnología USB-PD. Estos últimos disponen de una conexión USB-C y proporcionan un voltaje de 20 V, por lo cual el tiempo de carga es menor. Cabe destacar además que la batería puede cargarse a través de la entrada para fuentes de alimentación externas cuando la cámara está encendida o apagada.

SUGERENCIA: Si la batería está caliente debido al uso, la velocidad de carga se reduce hasta que la temperatura disminuye a 45 °C. Recomendamos dejarla enfriar durante 15 minutos antes de cargarla.

Ya está todo listo para insertar un soporte de almacenamiento y comenzar a grabar.

Soportes de grabación

Los modelos Blackmagic Pocket Cinema Camera graban imágenes en tarjetas SD, UHS-II o CFast 2.0.

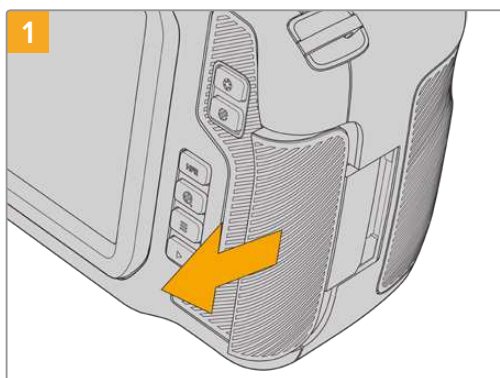
Asimismo, es posible conectar discos USB-C externos mediante el puerto de expansión para aumentar la capacidad de almacenamiento.

Tarjetas CFast

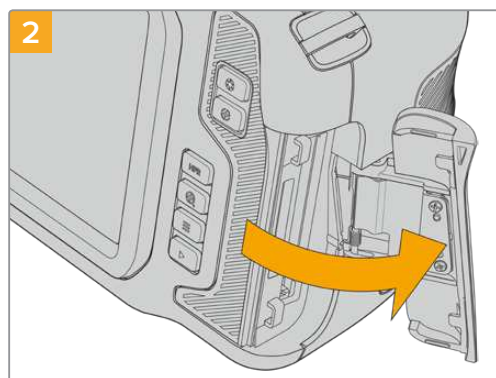
Estas unidades son capaces de procesar datos a gran velocidad, de modo que son ideales para grabar contenidos con una alta frecuencia de imagen. Consulte el apartado *Grabación* para obtener más información sobre las frecuencias máximas para cada formato.

NOTA: Aunque por lo general las tarjetas CFast 2.0 son rápidas, en algunas unidades la velocidad de escritura es menor a la de lectura. Asimismo, la velocidad de transferencia de datos máxima puede variar de un modelo a otro. Por consiguiente, aconsejamos emplear solo las tarjetas recomendadas en este manual para garantizar la calidad de la grabación con la frecuencia de imagen seleccionada.

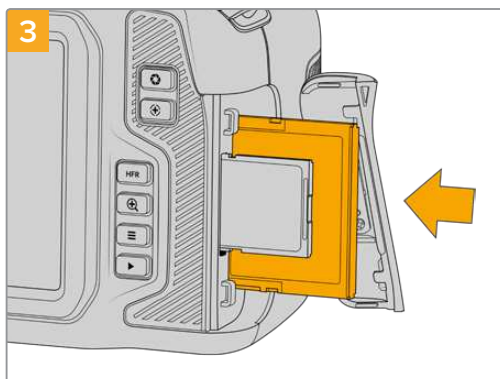
Para insertar una tarjeta CFast:



Para acceder a las ranuras de las unidades de almacenamiento, deslice la tapa del compartimento en el lateral derecho hacia la parte posterior de la cámara.



La tapa se abrirá, brindando acceso a las ranuras para tarjetas CFast y SD.

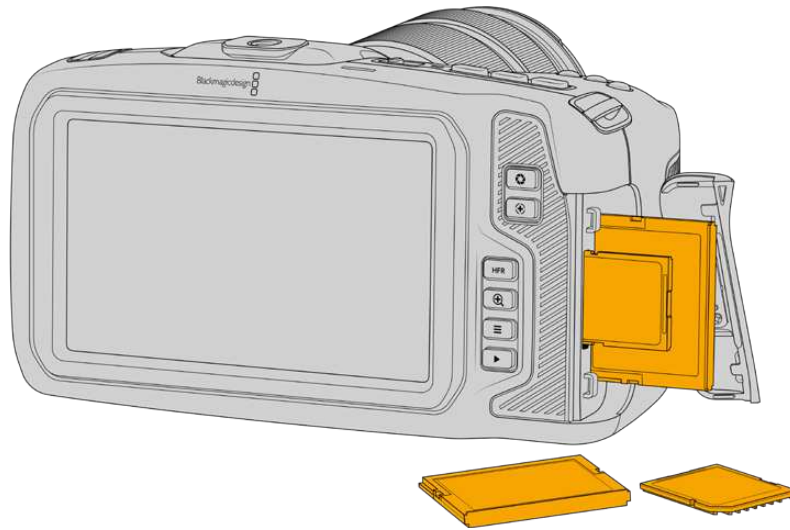


Inserte la tarjeta en la ranura correspondiente y empújela hasta que calce en su lugar. Para ello, no debería ser necesario ejercer demasiada fuerza. Si desea extraer una tarjeta SD de la cámara, empújela ligeramente y luego suéltela.



En la parte inferior de la pantalla táctil se indica el nombre de las tarjetas CFast detectadas y el tiempo de grabación restante.

Las tarjetas SD y CFast se insertan del mismo modo. Consulte el apartado *Cómo insertar una tarjeta SD* para obtener más información al respecto.



Elección de una tarjeta CFast 2.0 adecuada

Al trabajar con imágenes que requieren transferir datos con una gran rapidez, es importante verificar cuidadosamente la tarjeta CFast empleada, ya que estas unidades de almacenamiento ofrecen distintas velocidades de lectura y escritura.

Consulte el apartado *Soportes de grabación recomendados* para acceder a una lista de tarjetas CFast 2.0 recomendadas por Blackmagic Design para los modelos Pocket Cinema Camera.

Visite nuestra página de soporte técnico para obtener información adicional sobre las tarjetas CFast compatibles.

Tarjetas SD

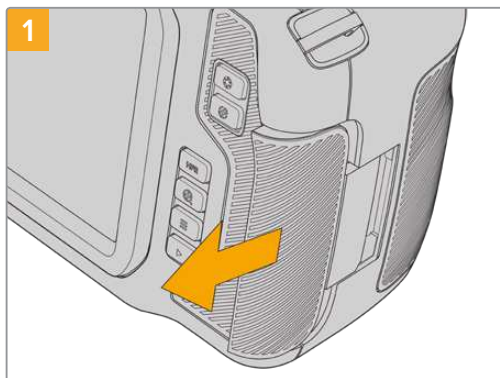
La cámara también admite tarjetas UHS-I y UHS-II de alta velocidad. Las primeras resultan más económicas al grabar en formatos comprimidos con alta definición, mientras que las segundas ofrecen mayor velocidad y permiten captar imágenes Blackmagic RAW y UHD en ProRes.

Con las tarjetas SD, es posible emplear soportes de almacenamiento más económicos al grabar en formatos comprimidos con alta definición.

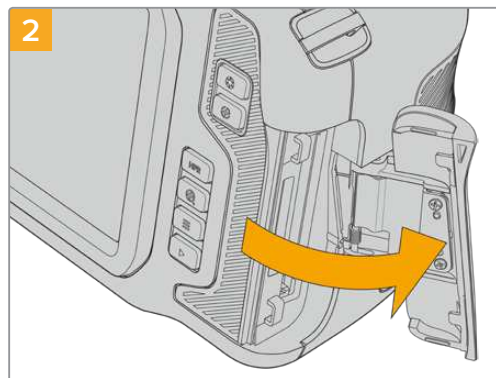
Las versiones SDXC y SDHC se utilizan habitualmente en cámaras fotográficas y videocámaras comunes. Si ha empleado con anterioridad una cámara DSLR o los modelos Blackmagic Micro Cinema Camera y Pocket Cinema Camera, o el dispositivo Blackmagic Video Assist, probablemente ya disponga de tarjetas SD compatibles.

En proyectos que no requieren archivos de alta resolución, o cuando es necesario grabar durante períodos prolongados, este tipo de tarjetas resulta más económico. Asimismo, es posible emplear unidades de menor velocidad y capacidad para almacenar tablas de conversión (LUT) y ajustes predeterminados.

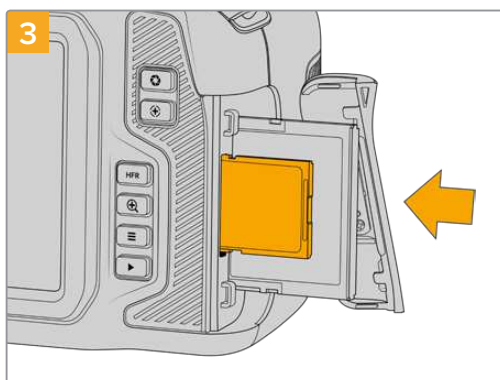
Para insertar una tarjeta SD:



Para acceder a las ranuras de las unidades de almacenamiento, deslice la tapa del compartimiento en el lateral derecho hacia la parte trasera de la cámara.



La tapa se abrirá, brindando acceso a las ranuras para las unidades de almacenamiento.



Inserte la tarjeta con la etiqueta orientada hacia la pantalla táctil y empújela hasta que calce en su lugar. Para ello, no debería ser necesario ejercer demasiada fuerza. Si desea extraer una tarjeta SD de la cámara, empújela ligeramente y luego suéltela.



En la parte inferior de la pantalla táctil aparecerá el nombre de la tarjeta SD detectada y el tiempo de grabación restante.

Elección de una tarjeta SD adecuada

Para filmar en definición UHD, DCI 4K o 6K, aconsejamos utilizar tarjetas UHS-II de mayor velocidad. Cabe destacar que es importante emplear este tipo de unidades al grabar en HD, UHD, DCI 4K o 6K. Las tarjetas UHS-I son adecuadas para almacenar contenidos en HD. Estas permiten procesar datos rápidamente y ofrecen más capacidad. Generalmente, los soportes de almacenamiento más veloces brindan un mejor desempeño.

Antes de usar una tarjeta, es necesario formatearla mediante el sistema HFS+ o exFAT. Este procedimiento es sencillo y puede realizarse en la cámara. Consulte el apartado *Ajustes* para obtener más información al respecto.

Por otro lado, es posible formatear la tarjeta en equipos Mac o Windows. En el primer caso, recomendamos utilizar el formato HFS+ (o Mac OS Extended), propio de este sistema operativo. El formato exFAT es más adecuado para Windows, aunque es compatible con ambos sistemas.

Consulte el apartado *Soportes de grabación recomendados* para acceder a una lista de tarjetas SD recomendadas para los modelos Pocket Cinema Camera.

Visite nuestra página de soporte técnico para obtener información adicional sobre las tarjetas SD compatibles.

NOTA: Recomendamos emplear tarjetas CFast 2.0 para grabar con alta resolución y frecuencia de imagen, ya que son más rápidas y ofrecen un mejor rendimiento.

Bloqueo y desbloqueo de tarjetas SD

Es posible bloquear las tarjetas SD para evitar que se modifique su contenido. Antes de insertar la unidad en la cámara, compruebe que no se encuentre protegida. Para desbloquearla, mueva el pequeño interruptor en el lateral izquierdo hacia la posición más cercana a los conectores. Una vez finalizada la grabación, la tarjeta puede bloquearse nuevamente.



Mueva el interruptor hacia arriba o abajo para bloquear o desbloquear la tarjeta SD.

Si aparece la palabra **Protegida** en lugar del tiempo de grabación disponible y un candado junto al nombre de tarjeta SD en el menú de almacenamiento, esto significa que la unidad está bloqueada. En este caso, es preciso desbloquearla antes de grabar imágenes, tomar fotografías o exportar tablas de conversión y ajustes predeterminados.

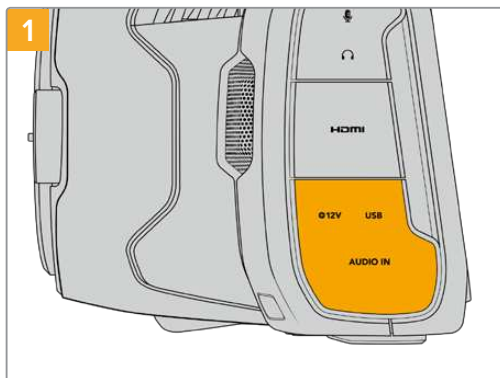


Unidades USB-C

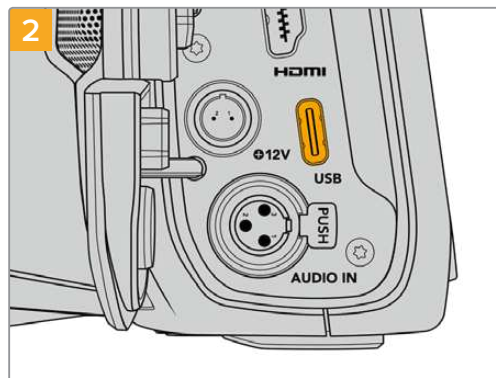
Las cámaras incluyen un puerto de expansión que permite conectar discos USB-C externos. Estas unidades de gran capacidad son rápidas y brindan la posibilidad de grabar durante períodos más prolongados, lo cual es importante al filmar eventos extensos.

Una vez finalizada la grabación, la unidad puede conectarse directamente a un equipo informático para editar el material sin necesidad de copiarlo.

Para conectar una unidad USB-C:



Abra la tapa protectora de goma en el lateral izquierdo de la cámara y conecte el otro extremo del cable al puerto USB-C.



Conecte el extremo de un cable USB-C a la unidad.

NOTA: Al conectar una unidad USB-C a la cámara, esta se utiliza como soporte de almacenamiento principal, de modo que la ranura para tarjetas SD no estará disponible.

Para usar una tarjeta SD, desconecte la unidad USB-C de la cámara.

Elección de una unidad USB-C adecuada

Estas unidades han sido diseñadas para ofrecer mayor velocidad y capacidad de almacenamiento. Además de ser compatibles con una amplia variedad de dispositivos, pueden adquirirse fácilmente en cualquier tienda especializada en productos electrónicos. Sin embargo, conviene mencionar que la cinematografía es solo uno de los fines con los que se emplean, de modo que es fundamental escoger el modelo adecuado, a efectos de contar con la velocidad suficiente para grabar imágenes en resolución 6K, 4K o UHD.

Muchas de estas unidades han sido diseñadas para equipos informáticos domésticos y no son lo suficientemente rápidas como para almacenar imágenes en dichas definiciones.

Consulte el apartado *Soportes de grabación recomendados* para acceder a una lista de unidades USB-C recomendadas por Blackmagic Design para los modelos Pocket Cinema Camera.

Visite nuestra página de soporte técnico para ver una lista actualizada de modelos recomendados.

Nota importante sobre la velocidad de las unidades USB-C

Algunas unidades USB-C no son capaces de grabar imágenes a la velocidad estipulada por el fabricante. Esto se debe a que se comprimen los datos ocultos para lograr una mayor velocidad de escritura, pero esta técnica solo brinda la posibilidad de alcanzar dicha velocidad al almacenar archivos simples. Sin embargo, la información de una imagen incluye otros parámetros, tales como el nivel de ruido y datos relativos a los píxeles, que son más aleatorios, y por lo tanto, comprimirlos no ayuda demasiado.

La velocidad de escritura de algunas unidades USB-C puede ser hasta un 50 % menor que la indicada por el fabricante. Por consiguiente, aunque según sus especificaciones son capaces de almacenar material audiovisual, en realidad carecen de la velocidad necesaria para grabar imágenes en tiempo real.

El programa Blackmagic Disk Speed Test permite determinar con precisión si la unidad

USB-C es adecuada para grabar y reproducir archivos audiovisuales a una alta velocidad. Esta aplicación simula el almacenamiento de datos, por lo que los resultados son similares a los que se obtendrían al grabar imágenes. Según las pruebas realizadas, podemos afirmar que los modelos más nuevos y de mayor capacidad son, por lo general, más rápidos.

Esta aplicación puede descargarse desde el App Store, y además existen versiones para Windows y macOS incluidas en el programa Blackmagic Desktop Video, que está disponible en la categoría *Captura y reproducción* de nuestra página de soporte técnico.

Preparación de soportes de grabación

Tanto las tarjetas CFast o SD como las unidades USB-C pueden formatearse utilizando la función correspondiente en el panel de opciones de la cámara, o mediante un equipo Mac o Windows. Recomendamos la primera opción para lograr un mejor rendimiento de la unidad.

El formato HFS+, también conocido como Mac OS X Extended, es el más recomendado, ya que permite registrar la transferencia de los datos a la unidad a medida que esta se lleva a cabo, lo que a su vez facilita su recuperación si el soporte de almacenamiento se daña. El sistema exFAT puede emplearse en sistemas operativos macOS y Windows sin necesidad de adquirir programas adicionales, pero no brinda la posibilidad de registrar la transferencia de datos.

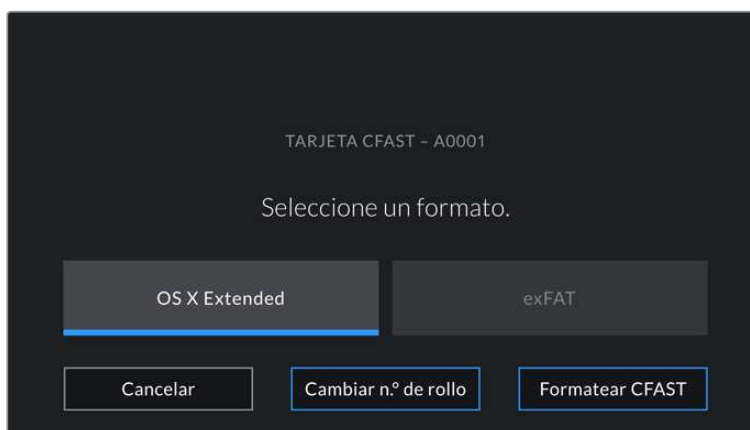
Preparación de soportes de grabación en los modelos Blackmagic Pocket Cinema Camera

- 1 Pulse el indicador correspondiente al soporte de grabación en la parte inferior de la pantalla a fin de acceder a las opciones para dicha unidad.
- 2 Pulse **Formatear CFAST** o **Formatear SD**. Si hay una unidad USB-C conectada a la cámara, la opción **Formatear unidad** estará disponible.



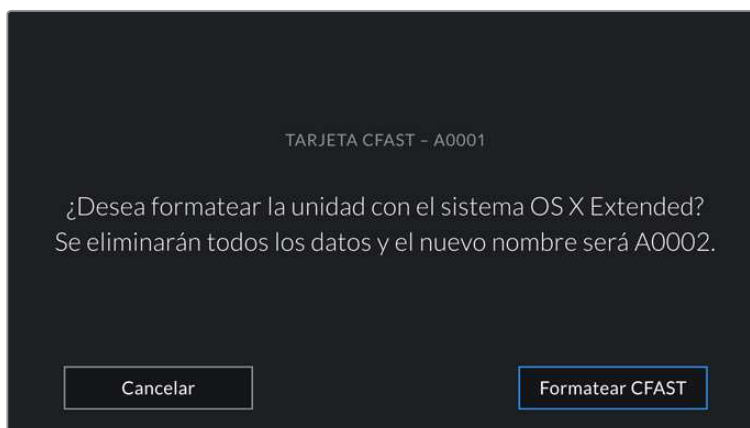
Si hay una unidad USB-C conectada a la cámara, la opción **Formatear unidad** estará disponible en lugar de **Formatear SD**.

- 3 Pulse la opción **Cambiar n.º de rollo** para modificar el número de rollo en forma manual. Utilice el teclado para introducir un número nuevo y pulse **Aceptar** para confirmar.
- 4 Seleccione el formato **OS X Extended** o **exFAT** y, en este caso, pulse la opción **Formatear CFAST**.



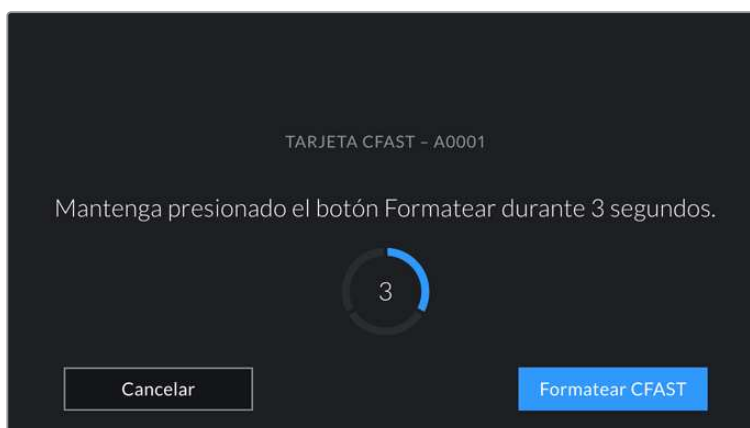
Pulse la opción **Cambiar n.º de rollo** para modificar el número de rollo en forma manual.

- 5 Un mensaje de confirmación permite verificar el soporte y el formato seleccionados, así como el número de rollo. Pulse el botón **Formatear CFast** para confirmar. De lo contrario, pulse **Cancelar**.



Antes de formatear la tarjeta, compruebe que la unidad seleccionada sea la correcta.

- 6 Mantenga presionado el botón tres segundos para comenzar el proceso.



- 7 La cámara le notificará cuando el procedimiento haya finalizado y el soporte está listo para usarse, o si el formateo ha fallado.
- 8 Pulse **Aceptar** para volver a la pantalla anterior.
- 9 Pulse **Salir** para salir.

Al formatear soportes de almacenamiento en la cámara, la identificación generada a partir de la claqueta virtual y el número de rollo se utiliza para nombrar los archivos. Cada vez que este proceso se lleva a cabo, dicho número se ajusta automáticamente. Para introducir una cifra específica, pulse la opción **Cambiar n.º de rollo**.

Pulse la opción **Restablecer datos** en la pestaña **PROYECTO** de la claqueta virtual si desea restablecer la numeración al comenzar un nuevo proyecto.



El tipo de soporte de grabación utilizado se indica en la pantalla de la cámara.

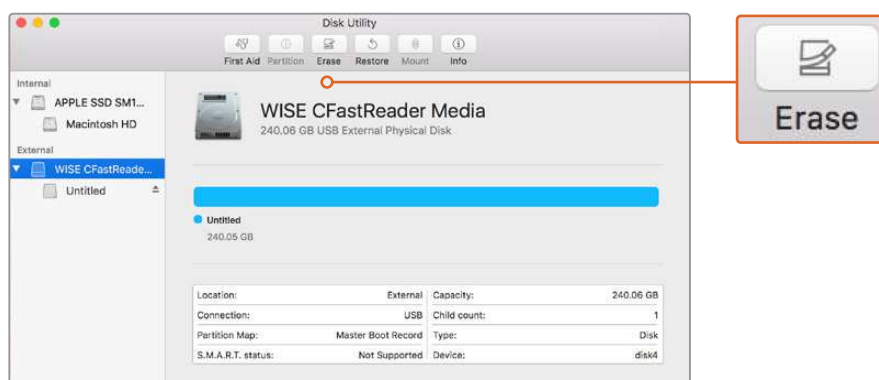
SUGERENCIA: Si aparece la palabra **Protegida** en lugar del tiempo de grabación disponible y un candado junto al nombre de tarjeta SD en el menú de almacenamiento, esto significa que la unidad está bloqueada. Basta con desbloquearla para poder continuar y comenzar a grabar. Consulte el apartado *Ajustes* para obtener más información al respecto.

NOTA: Si se lee **Unidad externa** en el espacio correspondiente a la ranura 2, esto significa que hay una unidad USB-C externa conectada a la cámara.

Preparación de soportes de grabación en equipos Mac

Utilice el programa utilitario para discos incluido en el sistema operativo macOS para formatear discos USB-C o tarjetas CFast y SD empleando el sistema HFS+ o exFAT. Asegúrese de respaldar cualquier información importante que contenga la unidad, ya que al iniciar el proceso, se borrarán todos los datos.

- 1 Inserte el soporte de grabación en el equipo informático o utilice un dispositivo de lectura y/o escritura externo. Ignore cualquier mensaje sobre el uso de la unidad para realizar respaldos mediante la función **Time Machine**.
- 2 Haga clic en **Aplicaciones**, luego en **Utilidades** y a continuación ejecute el programa **Utilidad de Discos**.
- 3 Haga clic en el ícono de la unidad y luego en la pestaña **Borrar**.
- 4 Seleccione la opción **Mac OS Extended (con registro)** o **exFAT**.
- 5 Escriba un nombre para la unidad y luego haga clic en **Borrar**. Se dará formato a la unidad rápidamente y quedará lista para usarla en la cámara.

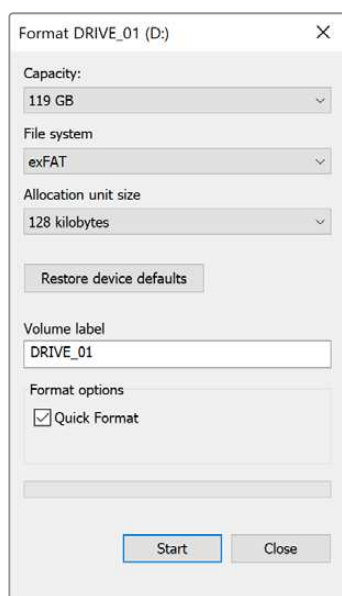


El programa **Utilidad de Discos** en macOS permite borrar el contenido de una unidad mediante el sistema Mac OS Extended (con registro) o exFAT.

Preparación de soportes de grabación en equipos Windows

El cuadro de diálogo **Formato** en el sistema operativo Windows permite formatear soportes de grabación mediante el sistema exFAT. Asegúrese de respaldar cualquier información importante que contenga la unidad, ya que al iniciar el proceso, se borrarán todos los datos.

- 1 Conecte el soporte de grabación al equipo informático mediante un adaptador, un lector externo o un cable USB-C.
- 2 Abra el menú **Inicio** o la **Pantalla de Inicio** y seleccione la opción **PC**. Haga clic con el botón derecho en la unidad de almacenamiento.
- 3 En el menú contextual, seleccione la opción **Formato**.
- 4 Elija la opción **exFAT** para el sistema de archivos y **128 kilobytes** para el tamaño de la unidad de asignación.
- 5 Introduzca un nombre para la unidad, marque la casilla **Formato rápido** y haga clic en **Iniciar**.
- 6 Se dará formato a la unidad rápidamente y quedará lista para usarla en la cámara.



Utilice el cuadro de diálogo **Formato** en Windows para dar formato exFAT al soporte de grabación.

NOTA: Si se omiten fotogramas durante la grabación, compruebe que el modelo de la unidad sea uno de los recomendados según la resolución y el formato seleccionados. En caso de que la transferencia de datos no se realice a una velocidad adecuada, intente reducir la resolución o la frecuencia de imagen, o seleccione un formato con compresión, por ejemplo, ProRes. Visite nuestro sitio web para obtener más información al respecto.

NOTA: Aunque es posible emplear unidades con varias particiones, la cámara solo reconocerá la primera de ellas a efectos de la grabación y la reproducción de contenidos.

Sin embargo, cabe mencionar que al formatear el soporte de almacenamiento en la cámara, se borrará el contenido de todas las particiones, y no solo de la primera. Por esta razón, recomendamos utilizar unidades sin particiones.

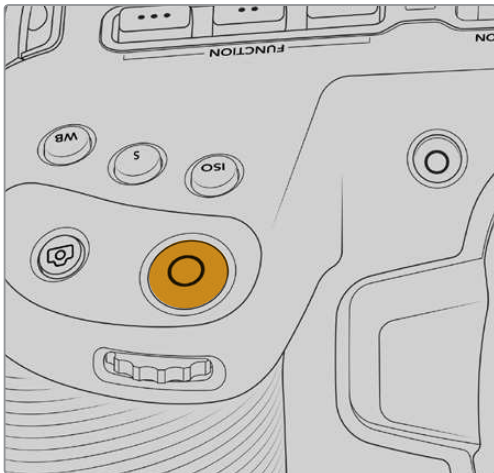
Grabación

Grabación de material audiovisual

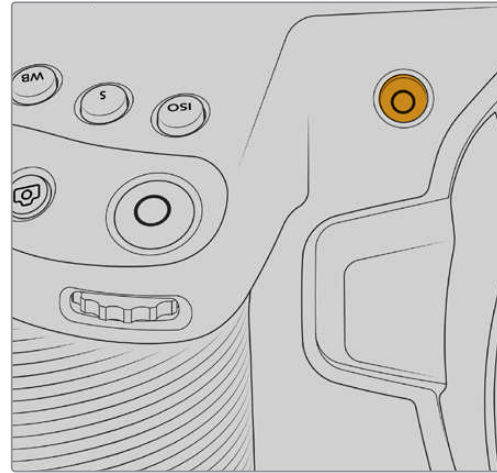
Los modelos Blackmagic Pocket Cinema Camera incluyen dos botones de grabación. El primero se encuentra en la parte superior de la empuñadura, lo cual permite presionarlo con el dedo índice al sostener la cámara con la mano derecha.

El segundo botón se encuentra en la parte frontal de la cámara, a fin de poder filmarse uno mismo mientras se sostiene la unidad con una mano. Esto resulta ideal al grabar videoblogs.

Presione uno de estos botones para comenzar a grabar de inmediato. Presiónelo nuevamente para detener la grabación.



Botón de grabación en la parte superior



Botón de grabación en la parte frontal

Antes de comenzar a grabar, mantenga pulsado el nombre de la unidad que aparece en la parte inferior de la pantalla para seleccionarla. La barra encima del soporte seleccionado se enciende de color azul para indicar que la grabación se llevará a cabo en dicha unidad. Para grabar en una distinta, basta con seleccionarla de la manera descrita. Durante la grabación, la barra se enciende de color rojo.

Selección del formato de grabación

También es posible emplear códecs ProRes, incluidos ProRes 422 HQ, ProRes 422, ProRes 422 LT y ProRes 422 Proxy. Estos últimos permiten grabar una mayor cantidad de secuencias en el soporte de almacenamiento. El formato ProRes 422 HQ brinda la mejor calidad con el menor grado de compresión. Alternativamente, el formato ProRes 422 Proxy ofrece la posibilidad de grabar durante períodos más extensos con una mayor compresión. Por otro lado, es compatible con el códec Blackmagic RAW. Recomendamos probar diferentes formatos para ver cuál se ajusta mejor a los requerimientos de cada proyecto.

Cabe destacar que los modelos Blackmagic Pocket Cinema Camera son compatibles con el códec Blackmagic RAW tanto con el tamaño del sensor completo, como reducido. Para formatos con redimensionamiento debe emplearse ProRes.

Consulte el apartado *Frecuencias de imagen máximas para el sensor* para obtener más información al respecto.

Blackmagic RAW

Los modelos Blackmagic Pocket Cinema Camera son compatibles con el formato Blackmagic RAW. Este brinda una calidad de imagen superior, un rango dinámico amplio y una gran variedad de opciones de compresión. Además, conserva todas las ventajas de la grabación en dicho formato con un procesamiento más rápido, gracias a que parte del mismo se realiza en la cámara, dinamizado mediante el soporte físico. Esto significa que los archivos Blackmagic RAW se reproducen a una velocidad normal en la mayoría de los equipos, sin necesidad de emplear la memoria caché previamente o una resolución inferior.

Blackmagic RAW también admite el uso de metadatos avanzados, de manera que el programa empleado para procesar los archivos tendrá acceso a los ajustes de la cámara. Por ejemplo, al seleccionar el modo Video durante el rodaje porque es preciso editar con rapidez y no hay tiempo para el etalonaje, esta función permite mostrar las imágenes con los ajustes cromáticos correspondientes a dicho modo al abrirlas en el programa de edición. Sin embargo, en realidad el archivo presenta la colorimetría del modo Film, y los metadatos son los que indican a la aplicación que se deben aplicar los ajustes correspondientes al modo Video.

En otras palabras, si en algún momento es necesario etalonar las imágenes, el archivo original aún conserva todo el rango dinámico. Por ello, el material grabado no pierde información en las luces ni en las sombras, de modo que se mantienen todos los detalles, y es posible realizar los ajustes cromáticos pertinentes a fin de que tenga un aspecto cinematográfico. No obstante, en caso de no tener tiempo para el etalonaje, las imágenes se verán de manera adecuada al aplicar el modo Video. Esto brinda mayor flexibilidad durante la posproducción.

Los archivos Blackmagic RAW se procesan con rapidez y han sido optimizados para aprovechar la GPU y la CPU del equipo informático, lo que permite reproducirlos sin interrupción y prescindir del uso de placas de decodificación, que de particular relevancia al usar equipos portátiles. Por otro lado, los programas compatibles con este formato también brindan la posibilidad de emplear plataformas tales como Metal, CUDA y OpenCL.

De este modo, los archivos Blackmagic RAW se reproducen a una velocidad normal en la mayoría de los equipos, sin necesidad de emplear la memoria caché o una resolución inferior.

Cabe destacar que la información de los objetivos también se registra en los metadatos correspondientes a cada fotograma. Por ejemplo, al utilizar modelos compatibles, cualquier cambio en el enfoque o la distancia focal quedará registrado en los metadatos.

Grabación en Blackmagic RAW

El formato Blackmagic RAW brinda la posibilidad de elegir entre una velocidad constante al transferir datos o una calidad invariable.

En el primer caso, la velocidad de transferencia se mantiene constante sin que sea demasiado elevada. De este modo, las imágenes complejas que incluyen una mayor cantidad de datos se comprimen más para que quepan en el espacio asignado.

Sin embargo, al grabar en formato RAW, es preferible que la calidad sea consistente. ¿Qué sucede si las imágenes incluyen más datos pero estas se comprimen a fin de que quepan en el espacio asignado? Probablemente haya una pérdida de calidad, aunque no es posible saberlo hasta reproducir el material.

Con el propósito de solucionar este problema, Blackmagic RAW ofrece una alternativa que brinda una calidad constante. Técnicamente, la velocidad de transferencia en esta opción es variable, pero en realidad genera un archivo de mayor tamaño si las imágenes lo requieren, sin que haya un límite específico a la hora de codificar el material conservando su calidad.

Es por esto que la opción de calidad constante del formato Blackmagic RAW permite que el tamaño del archivo varíe según los requerimientos de la codificación o el tipo de material grabado .

Asimismo, merece la pena destacar que el nombre de los archivos no es incomprensible, sino que contiene información significativa derivada de los aspectos técnicos. Por ejemplo, al seleccionar el modo de velocidad constante, las opciones disponibles son **3:1**, **5:1**, **8:1** y **12:1**. Estos números representan la relación entre el tamaño del archivo RAW sin compresión y su versión comprimida. De este modo, la opción **3:1** brinda una mejor calidad en un archivo de mayor tamaño, mientras que al seleccionar **12:1** se obtiene un archivo más pequeño con la menor calidad. No obstante, muchos usuarios afirman que esta última opción es perfectamente aceptable y que no han encontrado limitaciones en términos de calidad, aunque recomendamos probar distintos ajustes.

El modo de calidad constante incluye dos opciones: **Q0** y **Q5**. Estas representan los parámetros de compresión transmitidos y determinan el grado de compresión aplicado. La diferencia se debe a que el códec funciona de forma distinta al seleccionar una velocidad o una calidad constante. Al elegir esta última opción, no es posible saber con certeza el tamaño de los archivos resultantes, ya que dependerá del material grabado.

Velocidad constante

Las opciones **3:1**, **5:1**, **8:1** y **12:1** representan el grado de compresión. Por ejemplo, el tamaño del archivo generado mediante la opción **12:1** es aproximadamente 12 veces inferior al del formato RAW sin compresión.

Calidad constante

Las opciones **Q0** y **Q5** representan distintos niveles de cuantización. Este es mayor en la segunda opción, aunque mejora la velocidad al transferir datos. Como se ha mencionado, dichos ajustes generan archivos de tamaño variable, según el material grabado. Si el tamaño del archivo sobrepasa la capacidad de la unidad de almacenamiento, es posible que se omitan fotogramas. Sin embargo, la ventaja es que, si esto sucede, se notará inmediatamente, lo cual brinda la oportunidad de cambiar los ajustes sobre la marcha.

Reproductor Blackmagic RAW

El reproductor Blackmagic RAW, incluido en el instalador del programa utilitario de la cámara, es una aplicación optimizada que permite ver los clips grabados en dicho formato. Basta con hacer doble clic en el archivo correspondiente para reproducir, avanzar o retroceder las imágenes.

Al decodificar fotogramas, la función de aceleración por CPU, incluida en las herramientas de desarrollo, es compatible con las principales arquitecturas y admite el uso de la GPU con plataformas tales como Metal, CUDA y OpenCL. Además, es posible emplear una unidad Blackmagic eGPU, a fin de lograr un mejor desempeño. El reproductor Blackmagic RAW está disponible para Mac, Windows y Linux.

Archivos Sidecar

Los archivos .sidecar del formato Blackmagic RAW permiten anular metadatos integrados en el archivo original sin eliminarlos. Estos incluyen tanto ajustes RAW como información relativa al diafragma, el enfoque, la distancia focal, el balance de blancos, el tinte, el espacio cromático, el nombre del proyecto y el número de toma, entre otros parámetros, y están codificados por fotograma, lo cual resulta importante al modificar los valores del objetivo durante el rodaje. Es posible añadir o editar estos metadatos con DaVinci Resolve o incluso un editor de textos.

Los archivos .sidecar permiten aplicar automáticamente distintos ajustes RAW a un clip añadiéndolos a la carpeta que contiene el material grabado. Al mover el archivo .sidecar fuera de la carpeta y reproducir nuevamente el clip Blackmagic RAW, vemos el original tal como fue grabado. Asimismo, es posible acceder a estos ajustes desde cualquier programa compatible con las herramientas de desarrollo para Blackmagic RAW. Los cambios realizados se guardan en el archivo .sidecar, y las imágenes modificadas pueden verse en el reproductor Blackmagic RAW Player o en cualquier otra aplicación compatible con este formato.

Al grabar en modo **Video**, el archivo original conserva las características del modo **Film**, pero los metadatos permitirán que el material grabado se muestre con la apariencia del modo **Video**. Este último es ideal cuando no es preciso etalonar el material grabado y los plazos son limitados. Sin embargo, si se desea ajustar las partes más oscuras o brillantes de la imagen, se conservan todos los detalles sin perder información, en caso de que sea necesario acceder a ellos posteriormente.

Blackmagic RAW en DaVinci Resolve

El panel **Ajustes RAW** en DaVinci Resolve permite modificar la apariencia del material grabado en un archivo Blackmagic RAW y guardar dichos ajustes en un nuevo archivo .sidecar, a fin de lograr efectos creativos o mejorar su visualización. También es posible copiarlos y enviárselos a otros usuarios del programa para que puedan acceder a ellos al importarlos. Por otro lado, DaVinci Resolve no solo es capaz de leer los metadatos de los archivos generados por la cámara, sino que además reconoce automáticamente el rango dinámico seleccionado al reproducir los clips.

Luego, es posible personalizar dichos ajustes modificando la saturación, el contraste y los tonos intermedios, así como la atenuación de las luces y las sombras. A su vez, al guardar estos cambios en un archivo .sidecar, cualquier otra persona que trabaje con el mismo material durante la posproducción tendrá acceso a ellos. También es sencillo restaurar los metadatos originales de la cámara, de ser necesario.

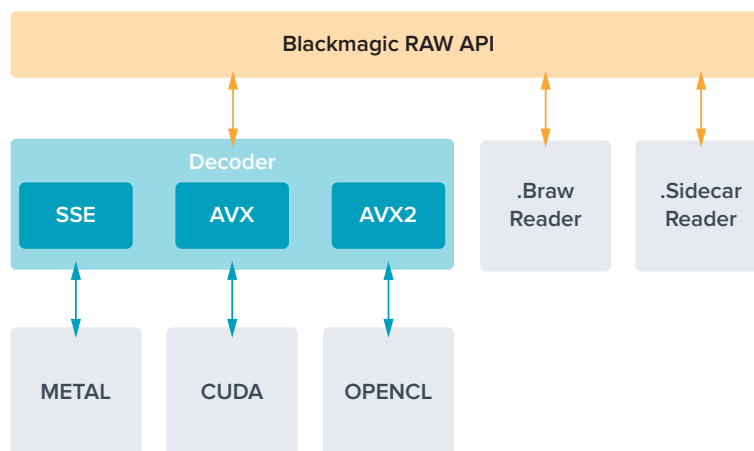
Por otra parte, el panel **Ajustes RAW** en DaVinci Resolve permite exportar un fotograma con todos los ajustes, los metadatos, la resolución y la información cromática, lo que brinda la posibilidad de compartir capturas o archivos de referencia.

Consulte el apartado *DaVinci Resolve* para obtener más información al respecto.

Herramientas de desarrollo Blackmagic RAW

Estas herramientas constituyen una interfaz de programación desarrollada por Blackmagic Design con el propósito de que los usuarios puedan crear sus propias aplicaciones compatibles con el formato Blackmagic RAW. Pueden ser empleadas por cualquier desarrollador para leer, modificar y guardar este tipo de archivos, e incluyen la nueva colorimetría de cuarta generación, que permite obtener imágenes con un aspecto natural y cinematográfico en cualquier programa compatible, ya sea en sistemas operativos Mac, Windows o Linux. Estas herramientas pueden descargarse de forma gratuita en la página www.blackmagicdesign.com/es/developer.

El siguiente diagrama muestra los componentes de la interfaz de programación para el formato Blackmagic RAW.



Frecuencias de imagen máximas para el sensor

Blackmagic Pocket Cinema Camera 6K

	Resolución	Códec	Área del sensor	Frecuencia máxima
6K	6144 x 3456	Blackmagic RAW	Completa	50
6K (2.4:1)	6144 x 2560	Blackmagic RAW	Reducida	60
5.7K (17:9)	5744 x 3024	Blackmagic RAW	Reducida	60
DCI 4K	4096 x 2160	ProRes 422 HQ	Reducida a partir de 5.7K	60
	4096 x 2160	ProRes 422	Reducida a partir de 5.7K	60
	4096 x 2160	ProRes 422 LT	Reducida a partir de 5.7K	60
	4096 x 2160	ProRes 422 Proxy	Reducida a partir de 5.7K	60
UHD	3840 x 2160	ProRes 422 HQ	Reducida a partir del área completa	50
	3840 x 2160	ProRes 422	Reducida a partir del área completa	50
	3840 x 2160	ProRes 422 LT	Reducida a partir del área completa	50
	3840 x 2160	ProRes 422 Proxy	Reducida a partir del área completa	50
	3840 x 2160	ProRes 422 HQ	Reducida a partir de 5.7K	60
	3840 x 2160	ProRes 422	Reducida a partir de 5.7K	60
	3840 x 2160	ProRes 422 LT	Reducida a partir de 5.7K	60
	3840 x 2160	ProRes 422 Proxy	Reducida a partir de 5.7K	60
3.7K (anamórfico)	3728 x 3104	Blackmagic RAW	Reducida	60
2.8K (17:9)	2868 x 1512	Blackmagic RAW	Reducida	120

	Resolución	Códec	Área del sensor	Frecuencia máxima
HD	1920 x 1080	ProRes 422 HQ	Reducida a partir del área completa	50
	1920 x 1080	ProRes 422	Reducida a partir del área completa	50
	1920 x 1080	ProRes 422 LT	Reducida a partir del área completa	50
	1920 x 1080	ProRes 422 Proxy	Reducida a partir del área completa	50
	1920 x 1080	ProRes 422 HQ	Reducida a partir de 5.7K	60
	1920 x 1080	ProRes 422	Reducida a partir de 5.7K	60
	1920 x 1080	ProRes 422 LT	Reducida a partir de 5.7K	60
	1920 x 1080	ProRes 422 Proxy	Reducida a partir de 5.7K	60
	1920 x 1080	ProRes 422 HQ	Reducida a partir de 2.7K	120
	1920 x 1080	ProRes 422	Reducida a partir de 2.7K	120
	1920 x 1080	ProRes 422 LT	Reducida a partir de 2.7K	120
	1920 x 1080	ProRes 422 Proxy	Reducida a partir de 2.7K	120

Blackmagic Pocket Cinema Camera 4K

	Resolución	Códec	Área del sensor	Frecuencia máxima
DCI 4K	4096 x 2160	Blackmagic RAW	Completa	60
	4096 x 2160	ProRes 422 HQ	Completa	60
	4096 x 2160	ProRes 422	Completa	60
	4096 x 2160	ProRes 422 LT	Completa	60
	4096 x 2160	ProRes 422 Proxy	Completa	60
4K (2.4:1)	4096 x 1712	Blackmagic RAW	Reducida	75
UHD	3840 x 2160	Blackmagic RAW	Reducida	60
	3840 x 2160	ProRes 422 HQ	Reducida	60
	3840 x 2160	ProRes 422	Reducida	60
	3840 x 2160	ProRes 422 LT	Reducida	60
	3840 x 2160	ProRes 422 Proxy	Reducida	60
2.8K (anamórfico)	2880 x 2160	Blackmagic RAW	Reducida	80
2.6K (16:9)	2688 x 1512	Blackmagic RAW	Reducida	120
HD	1920 x 1080	ProRes 422 HQ	Reducida a partir del área completa	60
	1920 x 1080	ProRes 422	Reducida a partir del área completa	60
	1920 x 1080	ProRes 422 LT	Reducida a partir del área completa	60
	1920 x 1080	ProRes 422 Proxy	Reducida a partir del área completa	60
	1920 x 1080	ProRes 422 HQ	Reducida a partir de 2.6K	120
	1920 x 1080	ProRes 422	Reducida a partir de 2.6K	120
	1920 x 1080	ProRes 422 LT	Reducida a partir de 2.6K	120
	1920 x 1080	ProRes 422 Proxy	Reducida a partir de 2.6K	120
	1920 x 1080	Blackmagic RAW	Reducida	120
	1920 x 1080	ProRes 422 HQ	Reducida	120
	1920 x 1080	ProRes 422	Reducida	120
	1920 x 1080	ProRes 422 LT	Reducida	120
1920 x 1080	ProRes 422 Proxy	Reducida	120	

NOTA: El formato de grabación 2.6K 16:9 optimiza el área del sensor para objetivos Super 16 mm y frecuencias de imagen altas.

Tiempo de grabación

Las siguientes tablas muestran el tiempo de grabación aproximado en minutos y segundos según el formato, la resolución y el soporte de almacenamiento. Cabe destacar que las resoluciones y los códecs disponibles son distintos para los modelos Pocket Cinema Camera 4K y Pocket Cinema Camera 6K.

La duración máxima depende de la capacidad de la unidad, la frecuencia de imagen y el formato seleccionado. Por ejemplo, la velocidad de transferencia para el formato ProRes 422 HQ a una resolución de 3840 x 2160 es de aproximadamente 880 Mb/s. A una frecuencia de 24 f/s, una tarjeta CFast 2.0 de 256 GB permite grabar durante unos 47 minutos. Con estos mismos ajustes, es posible grabar aproximadamente 23 minutos en una tarjeta CFast 2.0 de 128 GB, o sea, casi la mitad que con una tarjeta CFast de 256 GB.

Cabe destacar que el tiempo de grabación disponible en el soporte de almacenamiento puede variar ligeramente, dependiendo del fabricante o el sistema empleado para formatearlo (exFat o Mac OS X Extended).

Las composiciones complejas requieren una mayor transferencia de datos que las escenas simples con menos detalles. Dado que los valores en las siguientes tablas contemplan tomas de gran complejidad, el tiempo de grabación podría ser mayor según la naturaleza del rodaje.

6K					
Tarjeta CFast	Frecuencia de imagen	Blackmagic RAW 3:1	Blackmagic RAW 5:1	Blackmagic RAW 8:1	Blackmagic RAW 12:1
256 GB		Duración	Duración	Duración	Duración
	23.98	17 min	28 min	45 min	67 min
	24	17 min	28 min	45 min	67 min
	25	16 min	27 min	43 min	64 min
	30	13 min	22 min	36 min	54 min
	50	8 min	13 min	21 min	32 min

6K 2.4:1					
Tarjeta CFast	Frecuencia de imagen	Blackmagic RAW 3:1	Blackmagic RAW 5:1	Blackmagic RAW 8:1	Blackmagic RAW 12:1
256 GB		Duración	Duración	Duración	Duración
	23.98	23 min	38 min	60 min	91 min
	24	22 min	38 min	60 min	91 min
	25	21 min	36 min	58 min	87 min
	30	18 min	30 min	48 min	72 min
	50	11 min	18 min	29 min	43 min
60	9 min	15 min	24 min	36 min	

5.7K 17:9					
Tarjeta CFast	Frecuencia de imagen	Blackmagic RAW 3:1	Blackmagic RAW 5:1	Blackmagic RAW 8:1	Blackmagic RAW 12:1
256 GB		Duración	Duración	Duración	Duración
	23.98	20 min	34 min	55 min	82 min
	24	20 min	34 min	55 min	82 min
	25	19 min	33 min	52 min	79 min
	30	16 min	27 min	44 min	66 min
	50	10 min	16 min	26 min	39 min
	60	8 min	13 min	22 min	33 min

DCI 4K									
Tarjeta CFast	Frecuencia de imagen	Blackmagic RAW 3:1	Blackmagic RAW 5:1	Blackmagic RAW 8:1	Blackmagic RAW 12:1	ProRes 422 HQ	ProRes 422	ProRes 422 LT	ProRes 422 Proxy
256 GB		Duración	Duración	Duración	Duración	Duración	Duración	Duración	Duración
	23.98	39 min	65 min	104 min	155 min	44 min	66 min	95 min	216 min
	24	39 min	65 min	103 min	155 min	44 min	66 min	95 min	216 min
	25	37 min	62 min	99 min	149 min	42 min	64 min	91 min	207 min
	30	31 min	52 min	83 min	124 min	35 min	53 min	76 min	173 min
	50	18 min	31 min	49 min	74 min	21 min	32 min	45 min	104 min
	60	15 min	26 min	41 min	62 min	17 min	26 min	38 min	87 min

4K 2.4:1					
Tarjeta CFast	Frecuencia de imagen	Blackmagic RAW 3:1	Blackmagic RAW 5:1	Blackmagic RAW 8:1	Blackmagic RAW 12:1
256 GB		Duración	Duración	Duración	Duración
	23.98	50 min	84 min	134 min	201 min
	24	50 min	84 min	134 min	201 min
	25	48 min	81 min	129 min	193 min
	30	40 min	67 min	108 min	161 min
	50	24 min	40 min	65 min	97 min
	60	20 min	33 min	54 min	81 min
	80	17 min	28 min	45 min	68 min

UHD									
Tarjeta CFast	Frecuencia de imagen	Blackmagic RAW 3:1	Blackmagic RAW 5:1	Blackmagic RAW 8:1	Blackmagic RAW 12:1	ProRes 422 HQ	ProRes 422	ProRes 422 LT	ProRes 422 Proxy
256 GB		Duración	Duración	Duración	Duración	Duración	Duración	Duración	Duración
	23.98	41 min	68 min	110 min	164 min	47 min	71 min	101 min	230 min
	24	41 min	68 min	109 min	164 min	47 min	71 min	101 min	230 min
	25	39 min	66 min	105 min	157 min	45 min	68 min	97 min	221 min
	30	33 min	55 min	88 min	131 min	38 min	57 min	81 min	184 min
	50	19 min	33 min	52 min	79 min	22 min	34 min	48 min	111 min
	60	16 min	27 min	44 min	66 min	18 min	28 min	40 min	92 min

3.7K anamórfico					
Tarjeta CFast	Frecuencia de imagen	Blackmagic RAW 3:1	Blackmagic RAW 5:1	Blackmagic RAW 8:1	Blackmagic RAW 12:1
256 GB		Duración	Duración	Duración	Duración
	23.98	31 min	51 min	82 min	123 min
	24	31 min	51 min	82 min	123 min
	25	29 min	49 min	79 min	118 min
	30	24 min	41 min	65 min	98 min
	50	15 min	24 min	39 min	59 min
	60	12 min	20 min	33 min	49 min

2.8K anamórfico					
Tarjeta CFast	Frecuencia de imagen	Blackmagic RAW 3:1	Blackmagic RAW 5:1	Blackmagic RAW 8:1	Blackmagic RAW 12:1
256 GB		Duración	Duración	Duración	Duración
	23.98	57 min	95 min	151 min	226 min
	24	57 min	95 min	151 min	226 min
	25	54 min	91 min	145 min	217 min
	30	45 min	76 min	121 min	181 min
	50	27 min	45 min	73 min	109 min
	60	22 min	38 min	61 min	91 min
	80	17 min	28 min	45 min	68 min

2.8K 17:9					
Tarjeta CFast	Frecuencia de imagen	Blackmagic RAW 3:1	Blackmagic RAW 5:1	Blackmagic RAW 8:1	Blackmagic RAW 12:1
256 GB		Duración	Duración	Duración	Duración
	23.98	81 min	136 min	216 min	321 min
	24	81 min	135 min	215 min	320 min
	25	78 min	130 min	207 min	308 min
	30	65 min	108 min	173 min	258 min
	50	39 min	65 min	104 min	156 min
	60	32 min	54 min	87 min	130 min
	120	16 min	27 min	43 min	65 min

2.6K 16:9					
Tarjeta CFast	Frecuencia de imagen	Blackmagic RAW 3:1	Blackmagic RAW 5:1	Blackmagic RAW 8:1	Blackmagic RAW 12:1
256 GB		Duración	Duración	Duración	Duración
	23.98	87 min	144 min	230 min	342 min
	24	87 min	144 min	229 min	342 min
	25	83 min	138 min	220 min	328 min
	30	69 min	115 min	184 min	275 min
	50	41 min	69 min	111 min	166 min
	60	34 min	58 min	92 min	138 min
	120	17 min	29 min	46 min	69 min

HD									
Tarjeta CFast	Frecuencia de imagen	Blackmagic RAW 3:1	Blackmagic RAW 5:1	Blackmagic RAW 8:1	Blackmagic RAW 12:1	ProRes 422 HQ	ProRes 422	ProRes 422 LT	ProRes 422 Proxy
256 GB		Duración	Duración	Duración	Duración	Duración	Duración	Duración	Duración
	23.98	159 min	264 min	418 min	619 min	189 min	283 min	403 min	877 min
	24	159 min	264 min	418 min	618 min	189 min	283 min	403 min	877 min
	25	153 min	253 min	402 min	595 min	182 min	271 min	387 min	843 min
	30	127 min	212 min	336 min	499 min	152 min	227 min	324 min	710 min
	50	76 min	127 min	203 min	303 min	91 min	137 min	196 min	434 min
	60	64 min	106 min	170 min	254 min	76 min	114 min	163 min	363 min
	120	32 min	54 min	87 min	130 min	38 min	57 min	82 min	185 min

NOTA: Cabe destacar que el códec Blackmagic RAW es compatible con formatos que emplean el área del sensor completa o reducida. Para formatos redimensionados, es preciso seleccionar la opción ProRes.

Los formatos 6K, 6K 2.4:1, 5.7K 17:9, 3.7K anamórfico y 2.8K 17:9 solo están disponibles en la opción Blackmagic RAW del modelo Blackmagic Pocket Cinema Camera 6K. La cámara emplea formatos ProRes para resoluciones DCI 4K, UHD y HD.

Los formatos 4K 2.4:1, 2.8K anamórfico y 2.6K 16:9 solo están disponibles en la opción Blackmagic RAW del modelo Blackmagic Pocket Cinema Camera 6K. La cámara emplea formatos tanto Blackmagic RAW como ProRes para resoluciones DCI 4K, UHD y HD.

El modo de calidad constante para las opciones Q0 y Q5 mostrará distintos tiempos de grabación. En el primer caso, la duración estimada es similar a la de la opción 3:1 (velocidad constante), mientras que al seleccionar Q5, será parecida a la de la opción 12:1. Sin embargo, la duración se actualiza cada diez segundos durante la grabación, por lo que la mejor manera de verificar el tiempo disponible es filmando 20 segundos y comprobando la duración en el indicador de la pantalla táctil.

Selección de la frecuencia de imagen

La cámara permite grabar a distintas frecuencias de imagen, y a veces es difícil saber cuál es la más adecuada.

Generalmente, al seleccionar una frecuencia de imagen, es necesario considerar varios factores. Desde hace varios años, existen distintos formatos de presentación para el cine y la televisión. A pesar de que las frecuencias de imagen de cada uno son distintas según el país, todos cumplen el mismo propósito: mostrar una cantidad determinada de fotogramas o cuadros por segundo para que la imagen fluya de manera agradable y convincente.

Por ejemplo, en el cine se emplea una frecuencia de 24 f/s, y aunque recientemente se han realizado pruebas con otras más rápidas, esta es la más aceptada en todo el mundo.

Con respecto a la televisión, las frecuencias de imagen generalmente cumplen con las normas técnicas de teledifusión en cada país. Por ejemplo, los contenidos televisivos se graban a 29.97 f/s para su distribución en América del Norte, y a 25 f/s para Europa.

No obstante, con el avance de la tecnología, en la actualidad existe una gama más amplia de opciones, y dichos formatos han ido evolucionando. Ahora es común que los eventos deportivos se graben y se transmitan a frecuencias de imagen más altas, por ejemplo, hasta 59.94 f/s en América del Norte, y 50 f/s en Europa. Esto permite que las imágenes fluyan con mayor facilidad y parezcan más auténticas.

Por otra parte, al transmitir por Internet, normalmente se emplean frecuencias similares a las de la televisión, aunque en este caso existe una mayor flexibilidad debido a que los usuarios pueden elegir diferentes formatos de visualización, según las especificaciones de las distintas pantallas.

Normalmente, a la hora de escoger una frecuencia de imagen para un proyecto, el formato de entrega constituye un factor decisivo. Además, dicho valor debe coincidir con el del sensor de la cámara, a fin de que las imágenes se reproduzcan a la misma velocidad a la que se desarrolló el evento.

Si el objetivo es crear un efecto interesante, por ejemplo, de cámara lenta, es posible elegir una frecuencia de imagen más alta para el sensor. Cuanto mayor sea esta en comparación con la frecuencia de imagen del proyecto, menor será la velocidad de reproducción.

Consulte el apartado *Controles de la pantalla táctil* en este manual para obtener más información al respecto.

Grabación automática

Los modelos Blackmagic Pocket Cinema Camera transmiten una señal automáticamente desde la salida HDMI que permite iniciar la grabación al conectar un dispositivo compatible con dicha función, por ejemplo, un monitor Blackmagic Video Assist.

De este modo, al presionar el botón de grabación en la cámara, la unidad externa inicia la captura de imágenes. Al volver a presionarlo, este proceso se detiene en ambos dispositivos. Asimismo, este modelo brinda la posibilidad de transmitir información sobre el código de tiempo a través de la salida HDMI, de forma que este valor coincida en los clips grabados con la cámara y con el dispositivo externo.

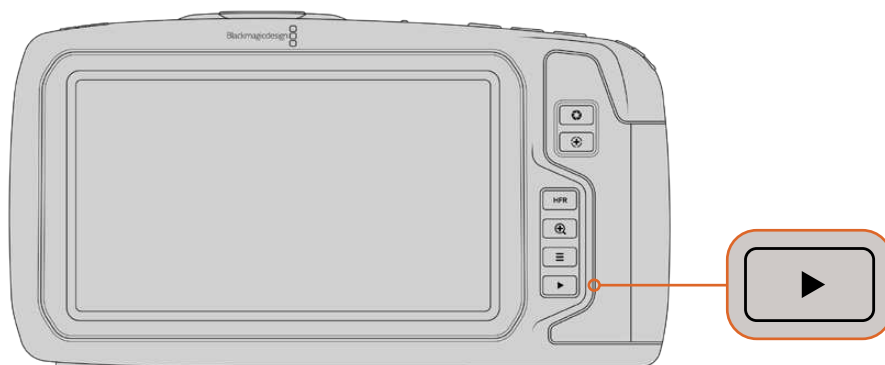
Si el grabador externo es compatible con esta función, es necesario activarla previamente desde el menú de configuración.

Reproducción

Reproducción de material audiovisual

Después de realizar la grabación, es posible utilizar los controles de reproducción para ver las imágenes en la pantalla de la cámara. Presione este botón para acceder al modo de visualización, y luego una vez más con el propósito de ver el material grabado en la pantalla de la cámara o en cualquier otro dispositivo conectado a la salida HDMI. Mantenga presionados los botones de avance o retroceso para avanzar o retroceder la secuencia. La reproducción finalizará cuando el clip llegue a su fin.

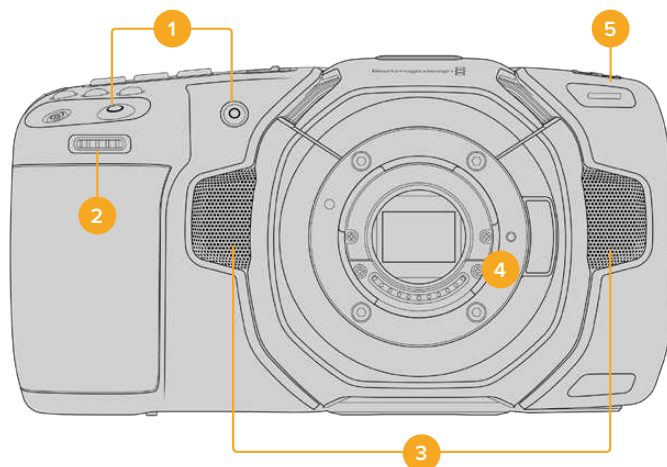
Presione los botones de avance o retroceso para ir al comienzo o el final de una secuencia. Oprima el botón de retroceso una vez para reproducir el clip actual desde el inicio, o dos veces para retroceder hasta el comienzo del clip anterior. Presione el botón de grabación para salir del modo de reproducción.



Presione el botón de reproducción para ver las imágenes captadas por la cámara.

Características de la cámara

Parte frontal



1 Botones de grabación

Presione cualquiera de estos botones para comenzar o detener la grabación. El botón frontal permite que el usuario se filme a sí mismo.

2 Rueda de ajustes

Permite ajustar la apertura del diafragma en objetivos compatibles. Mirando la pantalla, gire la rueda hacia la izquierda para abrir el diafragma, o a la derecha para cerrarlo. Asimismo, este control brinda la posibilidad de modificar el balance de blancos, el ángulo de obturación y el valor ISO. Para ello, presione los botones correspondientes en la parte frontal de la cámara y gire la rueda para seleccionar la opción deseada. Al finalizar, oprima la rueda para salir.

3 Micrófonos estéreo

La cámara incluye cuatro micrófonos estéreo de gran calidad. Consulte el apartado *Ajustes de audio* para obtener más información al respecto.

4 Montura del objetivo

El modelo Blackmagic Pocket Cinema Camera 6K cuenta con una montura para objetivos EF y la versión 4K presenta una para lentes Micro Cuatro Tercios. Esto significa que es posible emplear objetivos compatibles que ofrecen funciones de estabilización, así como de exposición y enfoque automáticos. A fin de tener la posibilidad de usar el estabilizador de imágenes integrado en muchos objetivos, posicione el interruptor correspondiente en **ON** para activar dicha función en la cámara. Si el objetivo incluye un interruptor para esta prestación, seleccione el modo adecuado para imágenes fijas o en movimiento. En caso contrario, puede activar o desactivar la función de estabilización desde el menú de la cámara.

5 Luz piloto / indicador de grabación

La cámara dispone de un led pequeño en la parte frontal que se enciende de color rojo para indicar que se está grabando. Es posible activar o desactivar este indicador y ajustar su brillo desde el menú de configuración. Consulte el apartado *Ajustes generales* para obtener más información al respecto.

Lateral derecho



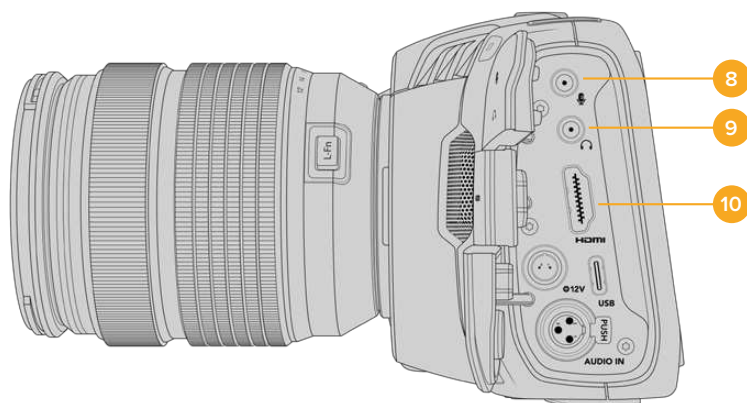
6 Ranura para tarjetas CFast

Inserte tarjetas CFast 2.0 en esta ranura para grabar y reproducir contenidos. Consulte el apartado *Tarjetas CFast* para obtener más información al respecto.

7 Ranura para tarjetas SD

Inserte tarjetas SD en esta ranura para grabar y reproducir contenidos. Consulte el apartado *Tarjetas SD* para obtener más información al respecto.

Lateral izquierdo



8 Entrada para micrófonos

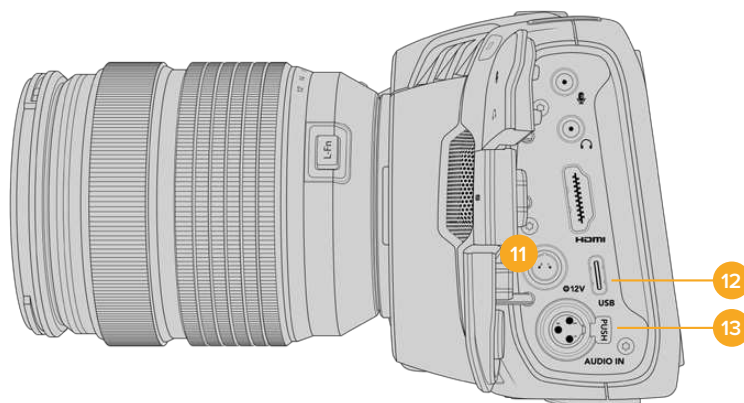
Conecte un micrófono a la entrada de 3.5 mm. La cámara es compatible con señales a nivel de línea o micrófono. La intensidad de estas últimas es menor que la de las primeras, por lo cual, si se selecciona la opción a nivel de línea al conectar un micrófono a la unidad, el audio será demasiado bajo. Cabe destacar que esta entrada también admite código de tiempo longitudinal (LTC) de fuentes externas en el canal izquierdo, siempre que cumpla con los estándares SMPTE. Este se detecta automáticamente y se integra en el material grabado como metadatos. Recomendamos transmitir el código de tiempo longitudinal mediante una señal a nivel de línea, en especial si no se graba como una pista de audio.

9 Entrada para auriculares

Al conectar auriculares a la entrada estéreo de 3.5 mm, es posible supervisar el audio durante la grabación o la reproducción. En este caso, la salida para altavoces permanece desactivada.

10 Salida HDMI

La salida HDMI permite transmitir imágenes en formato 4:2:2 1080p de 10 bits con alto rango dinámico y 2 canales de audio integrado. Utilice el menú en la pantalla táctil para seleccionar señales limpias o con información superpuesta.



11 Alimentación

Esta conexión sirve para alimentar la cámara y cargar la batería al mismo tiempo. Para conectar el adaptador, gire el conector de manera que quede alineado con la pestaña en la parte superior de la conexión y luego insértelo hasta que calce en su lugar. Para desconectarlo, retraiga la cubierta de goma que lo rodea y tire del mismo.

Soluciones de alimentación personalizadas

Algunos usuarios han desarrollado sus propios dispositivos para alimentar los modelos Blackmagic Pocket Cinema Camera. Si este es su caso, tenga la cautela de no suministrar demasiado voltaje a la cámara, dado que esto ocasionará daños irreparables. Los requisitos de voltaje para ambos modelos son los siguientes:

- La conexión para la batería admite entre 6.2 y 10 V (máximo).
- La entrada para corriente continua admite entre 10.8 y 20 V (máximo).
- La cámara requiere una alimentación de 16 W cuando se encuentra en modo de espera y no está cargando la batería.
- La cámara requiere una alimentación de 30 W cuando se está cargando la batería LP-E6.
- Al alimentar la cámara mediante una fuente personalizada, recomendamos extraer la batería LP-E6.
- Al grabar en un soporte externo con un objetivo activo, con el brillo de la pantalla y de la luz indicadora al máximo y en frecuencias de imagen altas, sin estar cargando la batería, el modelo Blackmagic Pocket Cinema Camera 6K requiere una alimentación de 25 W, o 22 W en el caso de la versión 4K.

12 USB

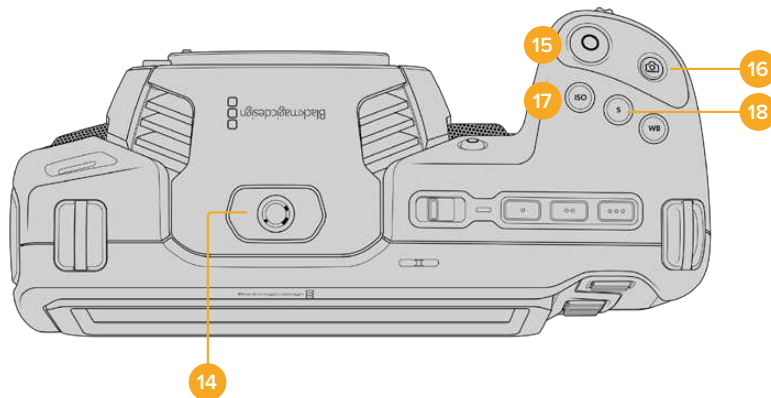
El puerto USB-C permite grabar directamente en discos externos. Cuando la cámara está apagada, esta conexión también brinda la posibilidad de cargar la batería. Para actualizar el sistema operativo interno de la unidad, conéctela a un equipo informático y ejecute la aplicación correspondiente.

13 Entrada mini-XLR para micrófonos

Permite conectar equipos de audio analógico balanceado o micrófonos XLR convencionales mediante un cable adaptador.

Asimismo, esta entrada brinda la posibilidad de suministrar corriente a micrófonos profesionales mediante el modo de alimentación fantasma. Consulte el apartado *Ajustes de audio* para obtener más información al respecto.

Panel superior



14 Orificio roscado 1/4-20

Permite sujetar micrófonos externos y otros accesorios pequeños.

NOTA: El orificio roscado en la parte superior solo debe utilizarse con accesorios livianos, tales como micrófonos pequeños. No intente emplearlo para soportar el peso de la cámara, por ejemplo, mediante un tornillo en la manija, junto con un objetivo pesado. Esto podría dañar dicho orificio y no está cubierto por la garantía. Tampoco debe someterlo a una fuerza excesiva provocada por accesorios pesados o un brazo extensor. A efectos de colocar este tipo de accesorios, recomendamos la carcasa diseñada para los modelos Blackmagic Pocket Cinema Camera, que se sujeta simultáneamente a los dos orificios en la parte superior e inferior de la cámara.

15 Grabación

Presione este botón para comenzar a grabar de inmediato. Oprímalo nuevamente para detener la grabación.

16 Fotos

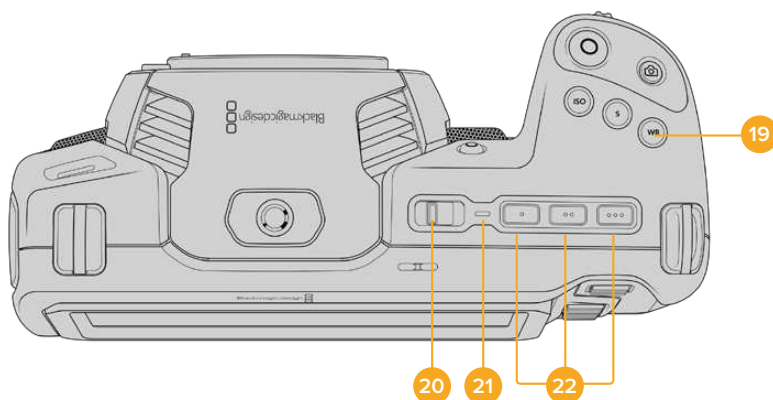
Presione este botón para grabar un fotograma en formato DNG sin compresión. En la parte superior derecha de la pantalla, aparecerá brevemente el ícono de una cámara para indicar que se ha tomado una fotografía. Las imágenes se guardan en la carpeta **Stills**, ubicada en el directorio raíz del soporte de grabación. Los archivos se nombran según la nomenclatura empleada para los clips, añadiéndose **S001** al final para indicar el número de imagen.

17 ISO

Presione este botón y gire la rueda de ajustes para modificar la sensibilidad de la cámara. Es posible realizar incrementos de 1/3 de paso entre 100 y 25 600.

18 Obturador

Presione este botón y gire la rueda de ajustes para modificar el ángulo o la velocidad de obturación. Asimismo, la cámara ofrecerá hasta tres valores distintos para evitar el parpadeo.



19 Balance de blancos

Presione este botón y gire la rueda de ajustes para modificar el balance de blancos. Manténgalo presionado durante 3 segundos a fin de acceder rápidamente al modo automático. La pantalla mostrará un cuadrado blanco en el centro de la imagen que se utiliza con el propósito de realizar un ajuste automático. Consulte el apartado *Controles de la pantalla táctil* para obtener más información al respecto.

20 Interruptor de encendido

Interruptor utilizado para encender y apagar la cámara. Muévelo hacia la derecha para encenderla, y hacia la izquierda para apagarla.

21 Indicador

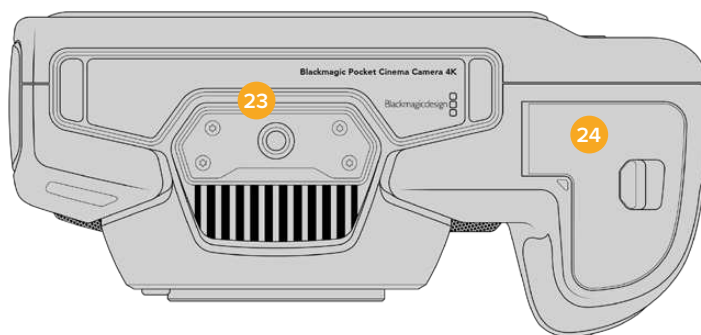
Este led se enciende de color rojo para indicar que la batería se está cargando cuando la cámara está apagada y conectada a una fuente de alimentación externa mediante la conexión de 12 V o el puerto USB-C.

Una vez finalizada la carga, la luz se apagará.

22 Botones programables

Es posible asignar diversas funciones a estos botones desde el menú de configuración de la cámara. De forma predeterminada, el primer botón corresponde a la función de falso color, el segundo permite ver tablas de conversión (LUT), y el tercero se emplea para mostrar las guías de encuadre.

Parte inferior



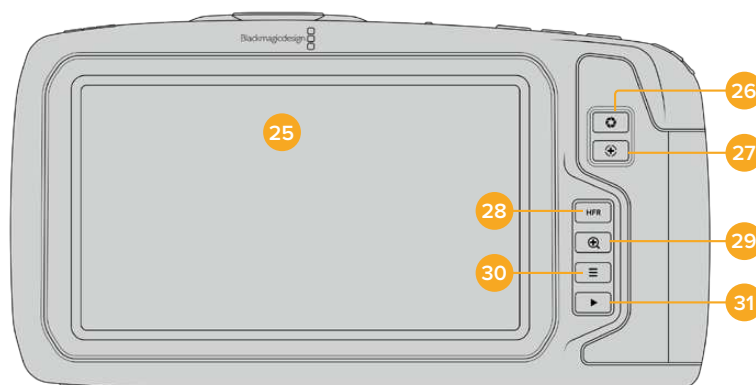
23 Orificio roscado 1/4-20

Permite colocar la cámara sobre un trípode.

24 Compartimiento para la batería

Empuje el seguro hacia el objetivo a fin de abrir la tapa del compartimiento. Al cerrarla, presiónela hasta que quede trabada.

Parte trasera



25 Pantalla táctil

Permite ver los clips durante la grabación o la reproducción. Toque la pantalla y deslice el dedo sobre la misma para cambiar ajustes y controlar la cámara.

26 Diafragma

Permite ajustar automáticamente el valor de exposición promedio según las partes más claras y oscuras de la imagen. También es posible modificar la apertura del diafragma girando la rueda de ajustes hacia la izquierda o la derecha, o pulsando la opción Iris en la pantalla y moviendo el control correspondiente.

27 Enfoque

Presione este botón para realizar un enfoque automático al emplear objetivos compatibles. Por defecto, el objetivo se enfoca en el centro de la imagen. Sin embargo, es posible cambiar el punto de enfoque tocando la zona en la cual se desea enfocar. Presione dos veces dicho botón para regresar al modo predeterminado.

NOTA: Aunque muchos objetivos brindan la posibilidad de ajustar el enfoque electrónicamente, algunos también disponen de un modo manual. En este caso, es necesario comprobar que el objetivo se encuentre en modo automático.

28 HFR

Utilice este botón para alternar entre distintas frecuencias de imagen. Para ello, seleccione la frecuencia de grabación en el menú correspondiente de la cámara. Luego, al presionar este botón, se alterna entre la frecuencia de grabación y la del proyecto. Cabe destacar que este ajuste solo puede modificarse cuando se detiene la grabación.

Consulte el apartado *Controles de la pantalla táctil* para obtener más información al respecto.

29 Zoom

Presione este botón a fin de ampliar la imagen a una escala 1:1 para ajustar el enfoque. Es posible deslizar los dedos sobre la pantalla a fin de ajustar el nivel de aumento. Consulte el apartado correspondiente para obtener más información al respecto. Nótese que es posible ver distintas partes de la imagen arrastrándola con el dedo. Para salir, presione este botón nuevamente.

30 Menú

Presione este botón para acceder al panel de opciones.

31 Reproducción

Presione este botón para acceder al modo de visualización, y luego una vez más con el propósito de ver el material grabado en la pantalla de la cámara o en cualquier otro dispositivo conectado a la salida HDMI.

Controles de la pantalla táctil

Características

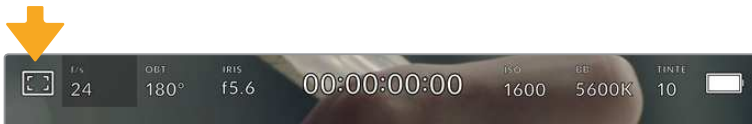
La pantalla táctil de los modelos Blackmagic Pocket Cinema Camera ofrece una interfaz rápida e intuitiva que responde a simples toques o desplazamientos del dedo para facilitar el uso de la cámara. Además, permite acceder con rapidez a las funciones que se utilizan con mayor frecuencia durante el rodaje.



La pantalla táctil de la cámara brinda diversos datos y facilita el acceso a las funciones utilizadas con mayor frecuencia.

Monitorización

Pulse el ícono situado en la parte superior izquierda de la pantalla para acceder a las opciones de monitorización. Estas permiten personalizar la apariencia de diversas herramientas que incluyen la función Cebra, la cuadrícula, el indicador de enfoque, las guías de encuadre y el falso color. Al acceder a cada una de las opciones, los controles correspondientes aparecen en pestañas situadas en la parte inferior de la pantalla.



Pulse el ícono situado en la parte superior izquierda de la pantalla para acceder a las opciones de monitorización.

Cebra

Esta opción permite activar o desactivar la función Cebra y ajustar su intensidad en la imagen transmitida mediante la salida HDMI.

Esta función muestra líneas diagonales sobre las zonas de la imagen que superan el límite de exposición preestablecido. Por ejemplo, al seleccionar 100 %, se indicarán las áreas completamente sobrepuestas. Esto resulta de suma utilidad para lograr un nivel de exposición adecuado en condiciones de iluminación estables.



Pulse el ícono de la función Cebra en la parte inferior de la pantalla para acceder a los ajustes correspondientes.

Para activar o desactivar esta función, pulse el interruptor situado en la esquina inferior izquierda de la pantalla.

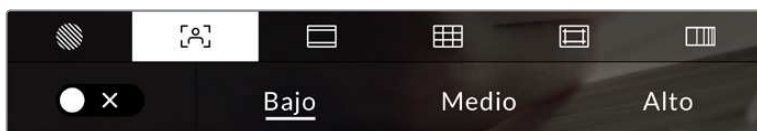
Mueva el control deslizante hacia la izquierda o la derecha para modificar la intensidad de las líneas. De manera alternativa, pulse una de las flechas situadas a ambos lados del porcentaje. Este puede ajustarse en incrementos de 5 puntos porcentuales, y es posible escoger cualquier valor entre 75 % y 100 %.

Consulte el apartado *Ajustes de monitorización* para obtener más información al respecto.

SUGERENCIA: Al grabar en condiciones de luz variable, por ejemplo al aire libre durante un día parcialmente nublado, la cámara podría advertirle sobre una posible sobreexposición cuando se selecciona un valor inferior a 100 para la función Cebra.

Asistente de enfoque

Esta opción permite activar o desactivar el indicador de enfoque y ajustar su transparencia en la imagen.



Pulse el ícono del indicador de enfoque en la parte inferior de la pantalla para acceder a los ajustes correspondientes.

Para activar o desactivar esta función, pulse el interruptor situado en la esquina inferior izquierda de la pantalla.

Para establecer la intensidad del indicador, seleccione una de las opciones que aparecen en la parte inferior de la pantalla.

La intensidad óptima para el indicador de enfoque varía según la toma. Por ejemplo, al enfocar a actores o actrices, un mayor nivel puede ayudar a mejorar los detalles en los rostros. Por el contrario, si la intensidad es demasiado alta al filmar vegetación o una pared de ladrillos, es posible que se dificulte la visualización de otros detalles en la imagen.

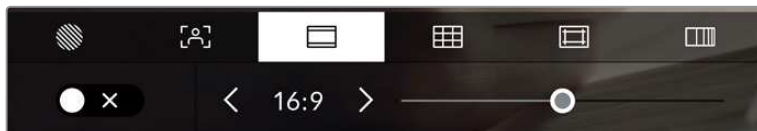
Consulte el apartado *Ajustes de monitorización* para obtener más información al respecto.

SUGERENCIA: Los modelos Blackmagic Pocket Cinema Camera ofrecen dos modos para el indicador de enfoque. En tal sentido, es posible alternar entre las opciones **Indicador** y **Líneas de color** en la pestaña **MONITOR**. Consulte el apartado *Ajustes de monitorización* en este manual para obtener más información al respecto.

Guías de encuadre

Esta opción permite ver las guías de encuadre en la pantalla u ocultarlas. También es posible seleccionarla para la salida HDMI de la cámara.

Las guías de encuadre incluyen relaciones de aspecto para el cine, la televisión e Internet.



Pulse el icono de las guías de encuadre en la parte inferior de la pantalla para acceder a los ajustes correspondientes.

Para ver u ocultar las guías de encuadre, pulse el interruptor situado en la esquina inferior izquierda de la pantalla.

Mueva el control deslizante hacia la izquierda o la derecha para seleccionar el tipo de guía. De manera alternativa, pulse una de las flechas situadas a ambos lados de la relación de aspecto seleccionada. Asimismo, es posible introducir una relación de aspecto personalizada pulsando sobre la opción entre las flechas.

Las opciones disponibles son las siguientes:

2.35:1, 2.39:1 y 2.40:1

Muestran una relación de aspecto compatible con la presentación anamórfica o de pantalla ancha que se utiliza en el cine. Las tres opciones varían ligeramente según los cambios que se han producido en los estándares cinematográficos con el transcurso del tiempo. El estándar 2.39:1 es uno de los más usados en la actualidad.



Pantalla con la opción **2.40:1** activada

2:1

Muestra una relación de aspecto levemente mayor que 16:9, aunque no alcanza la medida del formato 2.35:1.

1.85:1

Muestra otra relación de aspecto para pantalla ancha muy común en la industria del cine. El ancho es levemente mayor que en los televisores HD con una relación de 1.78:1, aunque no alcanza la medida del formato 2.39:1.

16:9

Muestra una relación de aspecto de 1.78:1 compatible con televisores HD y pantallas de equipos informáticos cuya relación es de 16:9. Este formato se utiliza generalmente para transmitir contenidos en alta definición a través de Internet y la televisión. Dicha relación de aspecto también se ha adoptado a efectos de la teledifusión en UHD.

14:9

Muestra una relación de aspecto de 14:9 utilizada por algunos canales de televisión como término medio entre los formatos 16:9 y 4:3, lo cual brinda una mayor compatibilidad con ambos. Esta opción resulta adecuada si las imágenes van a ser televisadas por una emisora que utilice dicha relación.

4:3

Muestra una relación de aspecto de 4:3 compatible con televisores SD y que además facilita el encuadre al utilizar adaptadores anamórficos 2x.

1:1

Muestra una relación de aspecto un poco más estrecha que 4:3. Esta proporción cuadrada es la más común en redes sociales.

4:5

Muestra una relación de aspecto de 4:5 (vertical), ideal para retratos o contenidos en teléfonos inteligentes.

Guías personalizadas

A fin de crear guías de encuadre personalizadas para lograr un estilo único, pulse el valor de la relación de aspecto entre las flechas. En la pantalla **GUÍAS PERSONALIZADAS**, borre el valor actual mediante el botón de retroceso e introduzca uno nuevo mediante el teclado numérico. Pulse **Aceptar** a fin de aplicar los cambios y continuar grabando.



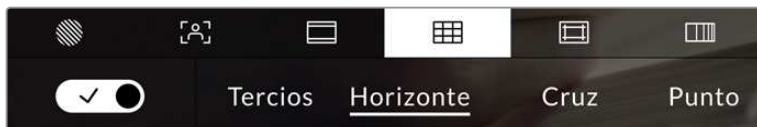
Utilice el teclado numérico para introducir una relación de aspecto distinta.

SUGERENCIA: Es posible cambiar la opacidad de las guías de encuadre. Consulte el apartado *Ajustes de monitorización* para obtener más información al respecto.

NOTA: Consulte el apartado *Ajustes de monitorización* para obtener más información sobre las guías de encuadre.

Cuadrícula

Esta opción permite ver una cuadrícula de 3x3 (regla de los tercios), una cruz filar, un horizonte virtual o un punto central sobre la imagen visualizada en la pantalla táctil o en los monitores conectados a la cámara.



Pulse el ícono de la cuadrícula en la parte inferior de la pantalla para acceder a los ajustes correspondientes.

Estas guías facilitan la composición de imágenes. Cuando se habilita esta opción, es posible ver una cuadrícula, una cruz filar o un punto central en la pantalla.

Para ver u ocultar la cuadrícula, pulse el interruptor situado en la esquina inferior izquierda de la pantalla.

Seleccione una de las opciones disponibles: **Tercios**, **Horizonte**, **Cruz** o **Punto**. Al seleccionar **Tercios**, es posible escoger también entre una de las otras tres opciones, logrando de este modo una combinación de ajustes.



La cuadrícula correspondiente a la regla de los tercios se ajusta automáticamente a las guías de encuadre visualizadas en la pantalla.

Tercios

Esta opción muestra dos líneas verticales y dos líneas horizontales superpuestas en cada tercio de la imagen, y es una herramienta sumamente conveniente para componer planos. Por ejemplo, el ojo humano usualmente detecta el movimiento cerca de los puntos donde se intersectan las líneas, y por ello resulta de gran utilidad para situar centros de interés en estas zonas. Por lo general, el horizonte de visión del actor se ubica en el tercio superior de la pantalla, de manera que es posible utilizar esta parte como guía para el encuadre. A su vez, la cuadrícula permite mantener la consistencia entre las distintas tomas.

Horizonte





Esta opción ayuda a mantener la cámara nivelada al sostenerla con la mano y a calibrar su inclinación al colocarla en un estabilizador.

La dirección en la cual la línea vertical se distancia de la cruz en el centro indica la inclinación de la cámara. Cuando la cámara está inclinada hacia arriba o abajo, dicha línea horizontal se desplaza en sentido opuesto.

La distancia que separa la línea de la cruz filar es proporcional a la inclinación. Una vez calibrado el sensor de movimiento de la cámara, la línea vertical se destacará en azul cuando la cámara está alineada con el eje Z, y lo mismo sucede con la línea horizontal, a fin de indicar su alineación con el eje X.

Cabe destacar que si la cámara se encuentra enfocando hacia arriba o abajo para filmar una toma desde un ángulo elevado, el indicador del horizonte virtual tendrá esto en cuenta. Si se gira la cámara 90 grados para grabar en modo retrato, el indicador también rotará.

La siguiente tabla muestra ejemplos del horizonte virtual con distintas inclinaciones de la cámara.

Indicador	Descripción
	Nivelada
	Inclinada hacia abajo y nivelada
	Girada hacia la izquierda y nivelada
	Inclinado hacia arriba y girado a la derecha

Para un uso normal de la cámara, calibre el indicador de manera que quede derecho y nivelado. Si desea utilizar el indicador para mantener un plano holandés o una inclinación consistente, a fin de realizar tomas con un ángulo determinado, es posible calibrarlo con un valor específico. Consulte el apartado *Calibración del sensor de movimiento* para obtener más información al respecto.

Cruz filar

Esta opción permite ver una cruz filar en el centro de la imagen. Al igual que la cuadrícula, es una herramienta muy útil para componer planos y centrar objetos de interés. Se utiliza a menudo al filmar escenas en las que se implementarán cortes rápidos. Esto hace posible que el espectador mantenga su atención en el centro de la imagen cuando el material editado contiene transiciones rápidas entre distintos planos.

Punto

Esta opción permite ver un punto en el centro de la imagen. Funciona de la misma forma que la cruz filar, aunque al ser más pequeño, resulta menos invasivo.

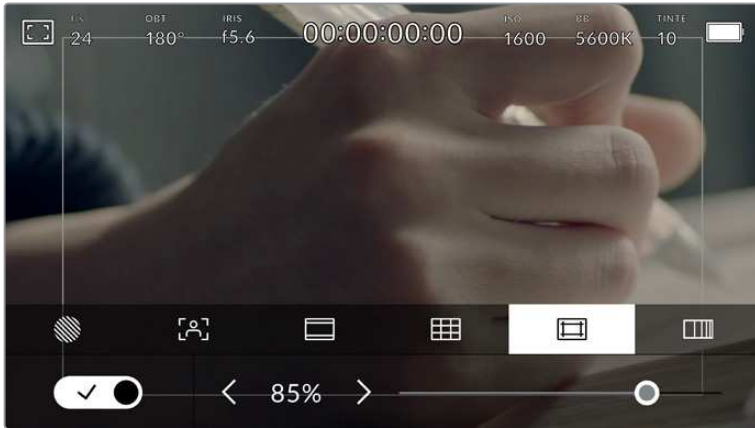
SUGERENCIA: Consulte el apartado *Ajustes de monitorización* para obtener más información sobre la cuadrícula.

Área de seguridad

Esta opción permite mostrar u ocultar el área de seguridad en la pantalla táctil, así como ajustar su tamaño en las imágenes transmitidas a través de la salida HDMI.

El área de seguridad se utiliza durante las producciones para garantizar que las partes más importantes de un plano puedan ser vistas por los espectadores. Manteniendo los elementos más destacados dentro de la misma, es posible evitar que se pierdan partes de la imagen en televisores de mayor antigüedad, y además se proporciona un espacio adicional para que las teledifusoras puedan agregar logos, textos móviles u otro tipo de información en la pantalla. Muchas emisoras exigen que los contenidos importantes en el material grabado, tales como títulos y gráficos, estén dentro del área de seguridad.

Esta opción también puede ser útil para ayudar a encuadrar las imágenes si se tiene la certeza de que se van a estabilizar durante la posproducción, ya que durante este proceso es posible que sus bordes se recorten. Asimismo, sirve para indicar un tipo de recorte específico. Por ejemplo, si se ajusta a 50 % al grabar en UHD (3840 x 2160), es posible ver cómo quedaría la imagen con una resolución de 1920 x 1080. Cabe destacar además que el área de seguridad se ajusta según la opción seleccionada para las guías de encuadre.



El valor para este indicador es de 85 %.

Para activar o desactivar esta función, pulse el interruptor situado en la esquina inferior izquierda de la pantalla. Pulse las flechas situadas a ambos lados del porcentaje en la parte inferior de la pantalla para cambiar la intensidad del área de seguridad en las imágenes transmitidas a través la salida HDMI. De manera alternativa, mueva el control deslizante hacia la izquierda o la derecha.

Falso color

Esta opción permite ver en la pantalla táctil un diagrama que facilita la exposición por medio de colores falsos.

Esta herramienta superpone diferentes colores en la imagen para representar los valores de exposición correspondientes a diversos elementos. Por ejemplo, el rosa representa un nivel de exposición ideal para tonos de piel caucásicos, mientras que el verde es adecuado para matices más oscuros. Al observar dichos colores cuando se filma el rostro de una persona, es posible mantener un rango de luminancia y brillo constante en este elemento específico.

De manera similar, es posible identificar las áreas sobrepuestas de la imagen cuando el color cambia de amarillo a rojo.

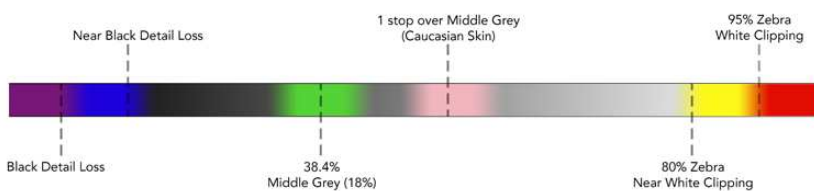


Diagrama de colores falsos

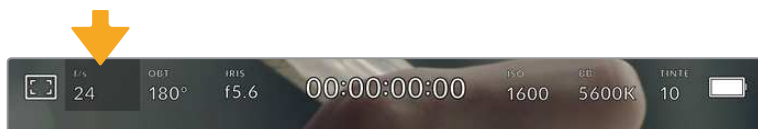
Para activar o desactivar esta función, pulse el interruptor situado en la esquina inferior izquierda de la pantalla.



Interruptor para activar o desactivar la función de falso color

Fotogramas por segundo

El indicador f/s muestra la frecuencia de imagen seleccionada en fotogramas por segundo.



Pulse el ícono de frecuencia de imagen para acceder al ajuste correspondiente.

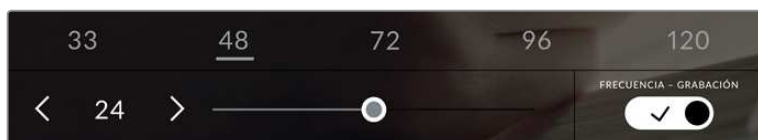
Al pulsar el indicador f/s, es posible modificar los valores para el sensor de la cámara y la frecuencia de imagen del proyecto mediante las opciones en la parte inferior de la pantalla.

Frecuencia de imagen del proyecto

Se trata de la frecuencia de imagen del formato de grabación seleccionado en la cámara para el proyecto y permite elegir entre diferentes velocidades comúnmente utilizadas en la industria del cine y la televisión. Normalmente, este valor se ajusta de manera que coincida con el que se empleará durante la posproducción.

Las ocho opciones disponibles para este ajuste son: 23.98, 24, 25, 29.97, 30, 50, 59.94 y 60 f/s.

Para ajustar este parámetro, pulse una de las flechas situadas a ambos lados del valor correspondiente a la frecuencia de imagen en la parte inferior de la pantalla. De manera alternativa, mueva el control deslizante hacia la izquierda o la derecha.

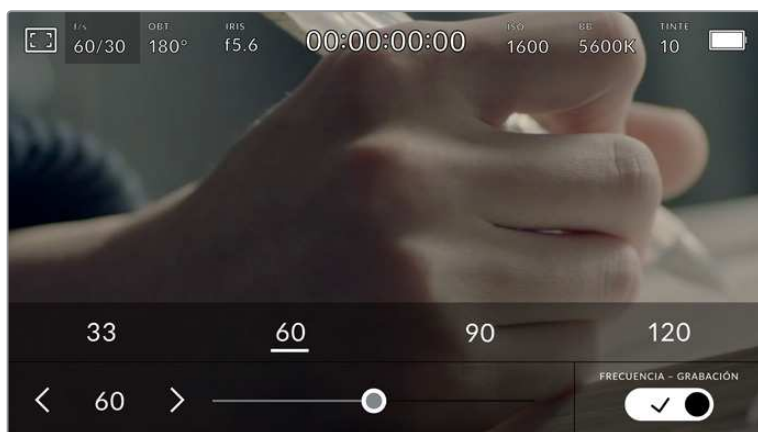


Para realizar ajustes, mueva el control o pulse las flechas situadas a ambos lados del valor correspondiente a la frecuencia de imagen.

SUGERENCIA: La frecuencia de imagen seleccionada para la grabación determina la de las imágenes transmitidas mediante la salida HDMI.

Frecuencia de imagen del sensor

Este ajuste determina la cantidad de fotogramas que capta el sensor cada segundo, lo cual incide en la velocidad de reproducción de las imágenes según la frecuencia seleccionada para el proyecto.



Si la opción **FRECUENCIA - GRABACIÓN** está activada, pulse un ajuste o las flechas situadas a ambos lados del valor correspondiente a la frecuencia de imagen o mueva el control deslizante para realizar ajustes.

Por defecto, la frecuencia de imagen del sensor y del proyecto coinciden, a fin de que el material grabado se reproduzca a una velocidad normal. Sin embargo, al activar la opción **FRECUENCIA - GRABACIÓN** en el menú *f/s*, se pueden determinar valores diferentes para estos parámetros.

Para cambiar la frecuencia de imagen del sensor, pulse las flechas situadas a ambos lados del indicador en la parte inferior de la pantalla. También es posible mover el control deslizante hacia la izquierda o la derecha para aumentar o disminuir dicho valor. Al quitar el dedo de la pantalla, la frecuencia de imagen para el sensor quedará seleccionada. Por otro lado, arriba del control deslizante se brindan distintas opciones comunes basadas en la frecuencia de imagen del proyecto.

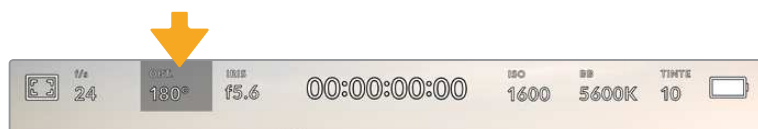
Es posible crear efectos dinámicos e interesantes cambiando la frecuencia de imagen del sensor. Si este valor es mayor para la grabación que para la reproducción, se generará un efecto de cámara lenta. Por ejemplo, al elegir una frecuencia de 60 *f/s* para el sensor y de 24 *f/s* para el proyecto, las imágenes se reproducirán un 40 % más lento que la velocidad real de la acción. Por el contrario, cuanto menor sea la frecuencia de imagen seleccionada para el sensor, mayor será la velocidad de reproducción del material grabado. Este principio se asemeja a la operación mecánica de modificar la velocidad de giro de la cinta en una cámara cinematográfica antigua. Mover la manivela más rápido aumenta la cantidad de fotogramas que capta el sensor, de manera que es posible prolongar determinadas escenas durante la reproducción, a fin de realzar su carga emotiva. Reduciendo el ritmo de giro, se disminuye la velocidad con el propósito de destacar la acción en secuencias con movimientos rápidos. Las posibilidades creativas son infinitas y dependen completamente de cada usuario.

Consulte la tabla en el apartado *Grabación* para obtener más información sobre las frecuencias de imagen.

NOTA: Al seleccionar la opción **FRECUENCIA - GRABACIÓN**, el audio y la imagen no estarán sincronizados. Esto sucede incluso al configurar la misma frecuencia de imagen para el sensor y el proyecto. Por tal motivo, evite seleccionar esta función si desea mantener dicha sincronización.

Obturador

El indicador **OBT.** muestra el ángulo o la velocidad de obturación. Al pulsarlo, es posible modificar dicho valor o seleccionar uno de los modos disponibles para la exposición automática. Por su parte, la opción **Valor de obturación** permite escoger cuál de estos parámetros muestra el indicador. Consulte el apartado *Ajustes generales* para obtener más información al respecto.



Pulse el indicador **OBT.** para acceder a los ajustes correspondientes.

El ángulo o la velocidad de obturación define el rastro que dejan los objetos en movimiento y puede utilizarse para compensar los cambios en las condiciones de iluminación. El valor más adecuado en la mayoría de los casos es de 180 grados, mientras que el equivalente para la velocidad de obturación es de 1/50 s. Sin embargo, puede resultar necesario ajustarlo si dichas condiciones cambian.

Por ejemplo, a un valor de 360 grados, el obturador está completamente abierto y permite que el sensor capte una mayor cantidad de luz. Esto resulta adecuado en escenas con escaso movimiento y poca iluminación. De manera alternativa, al filmar escenas con una gran cantidad de movimiento,

un ángulo de obturación menor de 90 grados brinda la posibilidad de eliminar el rastro que dejan los objetos y conseguir imágenes mucho más nítidas. La velocidad de obturación correspondiente al ángulo de obturación depende de la frecuencia de imagen empleada.

Por ejemplo, al grabar a 25 f/s, 360 grados equivalen a 1/25 s, y 90 grados a 1/100 s.

NOTA: Al grabar con luz artificial, el ángulo de obturación puede afectar la visibilidad del parpadeo. La cámara calcula automáticamente los valores de obturación sin parpadeo para la frecuencia de imagen seleccionada y muestra hasta tres opciones en la parte inferior de la pantalla. Estas dependerán de la frecuencia eléctrica utilizada en cada región. En este sentido, el menú de configuración de la cámara permite seleccionar las opciones **50 Hz** o **60 Hz**. Consulte el apartado *Ajustes generales* para obtener más información al respecto.

Al pulsar el indicador **OBT.**, aparecen diversos valores de obturación sugeridos en la parte inferior de la pantalla. Si la función de exposición automática está desactivada, se mostrará la velocidad utilizada junto con los valores que permiten eliminar el parpadeo en la imagen, según la frecuencia eléctrica seleccionada en el menú de configuración de la cámara. Consulte el apartado *Ajustes generales* para obtener más información al respecto.

NOTA: Las características de ciertas fuentes de luz pueden ocasionar parpadeo, incluso al utilizar ángulos de obturación que permiten evitar este artefacto. Si no se utilizan luces continuas, recomendamos realizar primero una grabación de prueba.

Para seleccionar una velocidad de obturación sin parpadeo, pulse unos de los valores que se muestran en la pantalla. Las flechas situadas a ambos lados del indicador permiten alternar entre algunos de los ajustes más utilizados.



La cámara recomendará ciertos valores basados en la frecuencia eléctrica seleccionada en el menú de configuración.

Al filmar en exteriores o con luces que no causan este problema, el valor de obturación puede determinarse pulsando dos veces el indicador situado en la parte inferior izquierda de la pantalla. Aparecerá un teclado numérico que permite ingresar cualquier número entre 5 y 360 grados.



Utilice el teclado numérico para determinar el ángulo de obturación al filmar en exteriores o con luces que no causan parpadeo en la imagen.

Los modelos Blackmagic Pocket Cinema Camera ofrecen tres modos de exposición automática. Para seleccionar uno de ellos, pulse el interruptor **EXPOSICIÓN AUTOMÁTICA** en la esquina inferior derecha de la pantalla.

Obturador

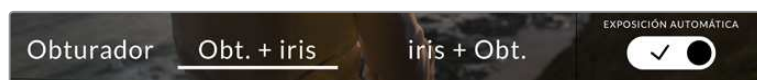
Esta opción permite ajustar automáticamente el valor de obturación para mantener la exposición sin modificar la apertura del diafragma. Esta resulta adecuada cuando es necesario conservar la profundidad de campo. Cabe destacar que cualquier ajuste sutil del obturador puede afectar el desenfoque dinámico. Asimismo, al rodar en interiores, es importante verificar que las fuentes de luz no generen parpadeo en la imagen. Nótese que la opción de ajuste automático del diafragma no está disponible al seleccionar este modo.

Obturador y diafragma

La opción **Obt. + iris** permite mantener una exposición adecuada ajustando primero el valor de obturación y luego la apertura del diafragma. Cuando, a pesar de haber alcanzado el nivel máximo o mínimo de obturación, no es posible mantener la exposición, la cámara intentará ajustar la apertura del diafragma para lograr dicho objetivo.

Diafragma y obturador

La opción **Iris + obt.** permite mantener una exposición adecuada ajustando primero la apertura del diafragma y luego el valor de obturación. Cuando, a pesar de haber alcanzado el nivel máximo o mínimo de apertura, no es posible mantener la exposición, la cámara intentará ajustar el valor de obturación para lograr dicho objetivo.

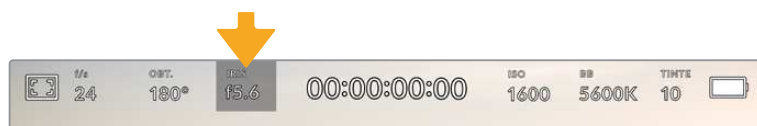


En el menú **OBTURADOR**, pulse la opción **EXPOSICIÓN AUTOMÁTICA** para acceder a los distintos modos de obturación.

SUGERENCIA: Al activar el modo de exposición automática, que afecta tanto al obturador como al diafragma, aparecerá la letra A junto al indicador correspondiente en la parte superior de la pantalla.

Diafragma

El indicador **IRIS** muestra la apertura del diafragma. Al pulsarlo, es posible modificar este valor en objetivos compatibles y seleccionar distintos modos de exposición automática.



Pulse el indicador **IRIS** para acceder a los ajustes correspondientes.

NOTA: Para ajustar la apertura del diafragma desde la pantalla táctil, es preciso utilizar un objetivo compatible con esta función.

Al pulsar el indicador **IRIS**, aparecen diversas opciones para la apertura del diafragma en la parte inferior de la pantalla. A la izquierda, se muestra el valor actual. Para modificarlo, pulse las flechas situadas a ambos lados del mismo o mueva el control deslizante.



Utilice las flechas situadas a ambos lados del valor de apertura o el control deslizante para modificarlo.

Al pulsar el interruptor **EXPOSICIÓN AUTOMÁTICA** situado en la parte inferior derecha de la pantalla, es posible acceder a las siguientes opciones de exposición automática.

Diafragma

La opción **IRIS** permite ajustar automáticamente la apertura del diafragma para mantener la exposición sin modificar el valor de obturación. Esto brinda la posibilidad de conservar un desenfoque dinámico constante, pero podría afectar la profundidad de campo.

Diafragma y obturador

La opción **Iris + obt.** permite mantener una exposición adecuada ajustando primero la apertura del diafragma y luego el valor de obturación. Cuando, a pesar de haber alcanzado el nivel máximo o mínimo de apertura, no es posible mantener la exposición, la cámara intentará ajustar el valor de obturación para lograr dicho objetivo.

Obturador y diafragma

La opción **Obt. + iris** permite mantener una exposición adecuada ajustando primero el valor de obturación y luego la apertura del diafragma. Cuando, a pesar de haber alcanzado el nivel máximo o mínimo de obturación, no es posible mantener la exposición, la cámara intentará ajustar la apertura del diafragma para lograr dicho objetivo.



En el menú **IRIS**, pulse la opción **EXPOSICIÓN AUTOMÁTICA** para acceder a los distintos modos de exposición automática.

SUGERENCIA: Al activar el modo de exposición automática que afecta tanto al obturador como al diafragma, aparecerá una letra A junto al indicador correspondiente en la parte superior de la pantalla.

Duración

Este indicador se encuentra en la parte superior de la pantalla.



Se enciende de color rojo cuando la cámara está grabando.

El indicador permite verificar la duración de los clips y controlar el código de tiempo durante la grabación o la reproducción. La secuencia temporal se expresa en horas, minutos, segundos y fotogramas, y este valor cambia al grabar o reproducir clips. Cabe señalar que el código de tiempo se muestra en rojo durante la grabación.

Este valor comienza en 00:00:00:00 e indica la duración del clip actual o del último que se haya grabado. Además, se incluye la hora en los metadatos, a fin de simplificar la etapa de posproducción.

Pulse el indicador para ver el código de tiempo. Púlselo nuevamente para regresar a la duración de la grabación.

Los siguientes indicadores pueden aparecer junto a la duración:

W

Aparece a la izquierda de la duración al reducir el área aprovechable del sensor.

TC

Aparece a la derecha de la duración cuando se muestra el código de tiempo.

EXT

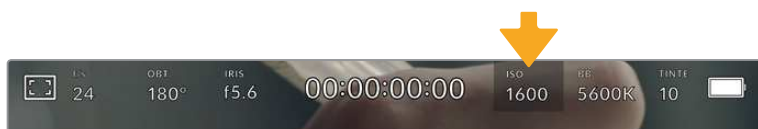
Aparece a la derecha de la duración al detectarse un código de tiempo longitudinal válido conectado a la entrada de 3.5 mm.

INT

Aparece a la derecha de la duración cuando la cámara funciona con un código de tiempo interno, luego de sincronizarla y desconectarla.

ISO

El indicador **ISO** muestra la sensibilidad fotométrica. Al pulsarlo, es posible modificar este valor según las condiciones de iluminación.



Pulse el indicador **ISO** para acceder a los ajustes correspondientes.



Las opciones disponibles para el valor ISO aparecen en la parte inferior de la pantalla. El control deslizante debajo de las opciones predeterminadas permite ajustar el valor ISO en incrementos de 1/3.

En función de las circunstancias, es posible seleccionar distintos valores. Por ejemplo, un índice de 25 600 podría resultar apropiado en condiciones de luz escasa, pero a su vez es posible que genere algo de ruido en la imagen. Al filmar con buena iluminación, se recomienda elegir un valor ISO de 100 para obtener colores más intensos.

ISO nativo dual

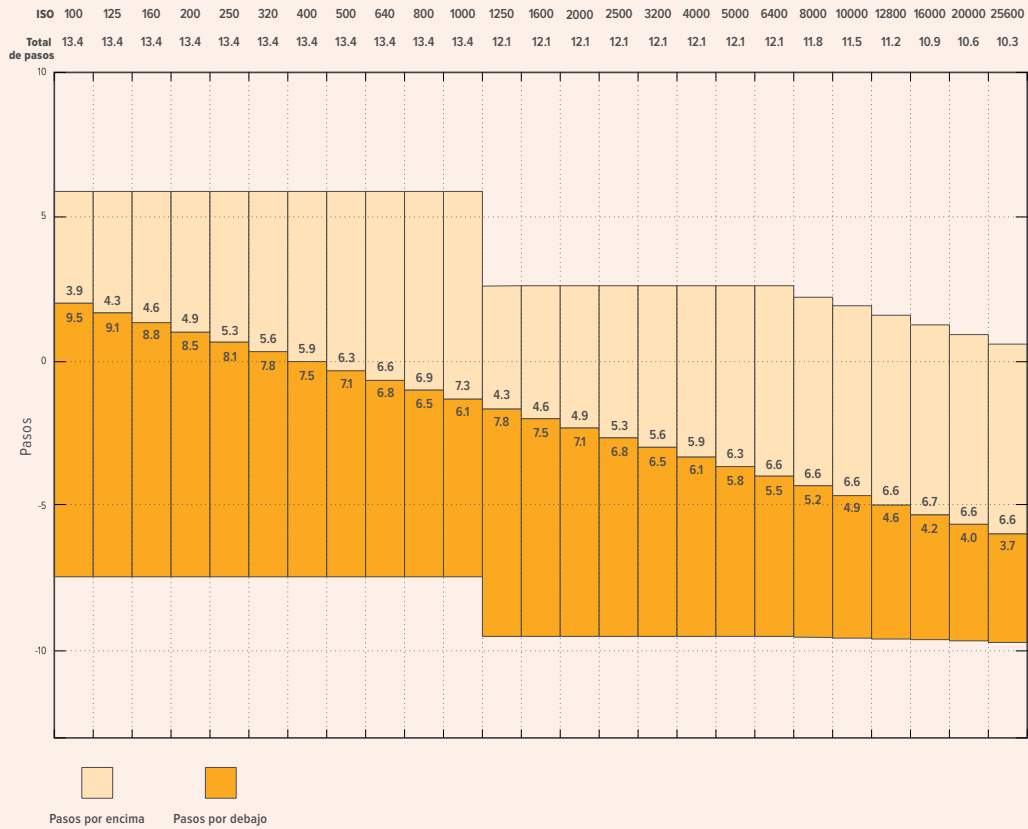
Los modelos Blackmagic Pocket Cinema Camera ofrecen un valor ISO nativo dual de 400 y 3200. Por consiguiente, el sensor ha sido optimizado para grabar tanto a plena luz del día como en condiciones de escasa iluminación.

Al ajustar la sensibilidad ISO según las condiciones de iluminación, esta función se activa automáticamente para garantizar que el material grabado sea nítido y presente la menor cantidad de ruido posible.

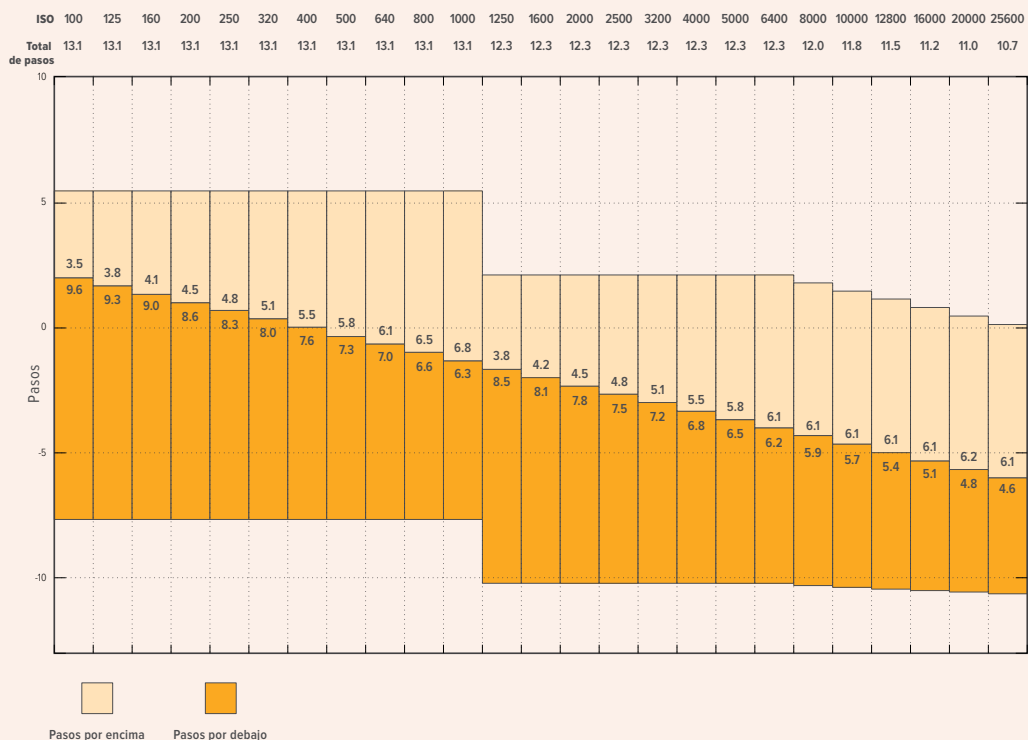
Al configurar la sensibilidad entre 100 y 1000, la cámara utiliza un ISO nativo de 400 como punto de referencia, mientras que, para el intervalo de 1250 a 25 600, se emplea un valor de 3200. Si las condiciones del rodaje permiten elegir tanto un valor de 1000 como de 1250, recomendamos seleccionar este último y cerrar la apertura del diafragma un paso. Esto hará que la cámara utilice un ISO nativo de 3200, logrando así mejores resultados.

Las siguientes gráficas muestran la relación entre la sensibilidad ISO y la asignación del rango dinámico.

Blackmagic Pocket Cinema Camera 6K: Rango dinámico

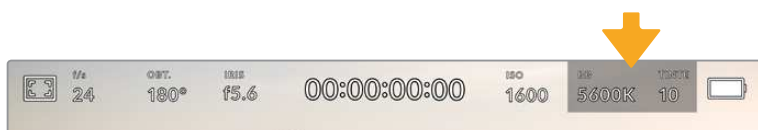


Blackmagic Pocket Cinema Camera 4K: Rango dinámico



Balance de blancos

Los indicadores **BB** y **TINTE** muestran los valores para el balance de blancos y el matiz, respectivamente. Al pulsarlos, es posible realizar ajustes según las condiciones de iluminación.



Pulse los indicadores **BB** y **TINTE** para acceder a los ajustes de balance de blancos y tinte correspondientes.

Cada fuente de luz emite un color. A modo de ejemplo, la luz de una vela emite un color cálido, mientras que un cielo cubierto por nubes emite un color frío. El balance de blancos se utiliza para ajustar los colores y evitar así que el blanco adopte otras tonalidades. Esto se consigue modificando la mezcla de azul y naranja en la imagen. Por ejemplo, al filmar bajo lámparas de tungsteno que emiten una luz cálida anaranjada, un valor de 3200 K permite obtener una imagen más azulada. Esto permite equilibrar el balance cromático de manera que el blanco se registre con precisión.

Los modelos Blackmagic Pocket Cinema Camera incluyen valores predeterminados para diferentes temperaturas de color, según se indica a continuación:

	Luz solar brillante	(5600 K)
	Bombillas incandescentes	(3200 K)
	Bombillas fluorescentes	(4000 K)
	Mezcla	(4500 K)
	Nubes	(6500 K)

Para personalizar cualquiera de estas opciones, pulse o mantenga presionadas las flechas situadas a ambos lados del valor correspondiente a la temperatura cromática en la parte inferior izquierda de la pantalla. Al pulsar una de las flechas, este aumenta o disminuye 50 K. Al mantenerlas presionadas, dicho valor cambia más rápido. De manera alternativa, este parámetro se puede modificar moviendo el control deslizante.

También es posible modificar el matiz para realizar ajustes con mayor precisión. Esto brinda la posibilidad de cambiar la proporción de verde y magenta presentes en la imagen. Por ejemplo, al añadir más magenta, se compensa la tonalidad verdosa de las luces fluorescentes. La mayoría de las configuraciones predeterminadas para el balance de blancos que ofrece la cámara presentan un cierto matiz.



Al pulsar los indicadores **BB** y **TINTE**, es posible acceder a cinco configuraciones predeterminadas o modificar estos parámetros en forma individual. Realice los ajustes necesarios según las condiciones de iluminación.

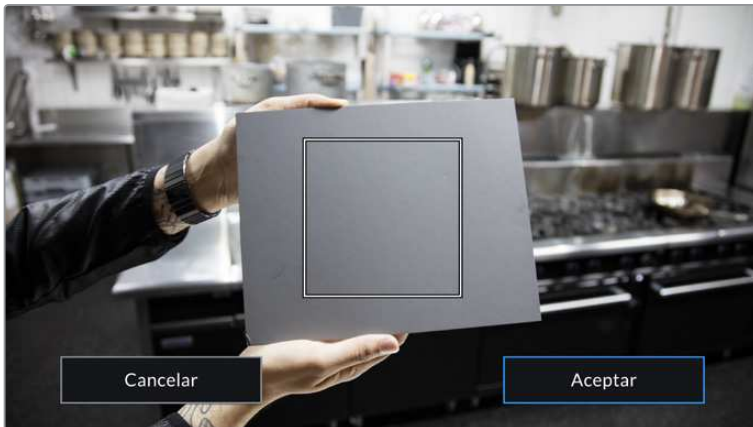
El matiz se muestra en la parte inferior derecha de la pantalla. Para ajustarlo, pulse o mantenga presionada una de las flechas situadas a ambos lados del valor. El rango disponible va de -50 a +50 en incrementos de una unidad. Al mantener una flecha presionada, dicho valor cambia más rápido.

NOTA: Al modificar el matiz o el balance de blancos, la configuración predeterminada cambia a **CWB**, o balance de blancos personalizado. Estos ajustes no se verán afectados si se reinicia el dispositivo o se elige otra opción, lo cual facilita la comparación entre distintos valores.

Balance de blancos automático

Los modelos Blackmagic Pocket Cinema Camera pueden ajustar el balance de blancos de forma automática. Al pulsar la opción **AWB**, se accede a las opciones disponibles para este parámetro.

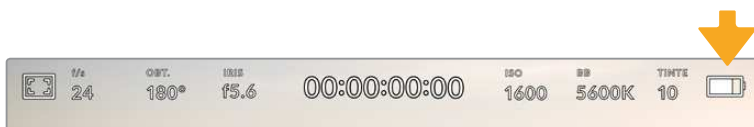
Cuando el balance de blancos se determina automáticamente, verá un cuadrado en el centro de la imagen. Hágalo coincidir con una superficie neutral de color blanco o gris y luego pulse el botón **Aceptar**. La cámara ajustará el balance de blancos y el matiz automáticamente para garantizar que la predominancia de dichos colores dentro del cuadrado sea lo más neutral posible. Una vez finalizado el proceso, estos valores se utilizarán en forma predeterminada al grabar. También es posible activar esta opción manteniendo presionado el botón **BB** en la parte superior de la cámara durante tres segundos.



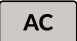

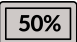
Al pulsar la opción **AWB**, se accede a las opciones disponibles para el balance de blancos automático. Utilice una superficie gris o blanca para establecer un valor neutro.

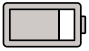
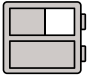
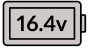
Alimentación

La fuente de alimentación y el estado de la batería se indican en la esquina superior derecha de la pantalla.



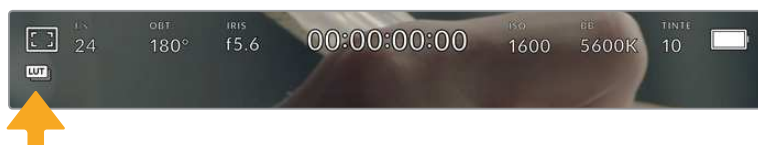
Si se utiliza una batería, al pulsar el indicador se muestra el voltaje y la carga restante.

	Corriente alterna	Indica que la cámara está conectada a la red de suministro eléctrico.
	Corriente alterna / cargando	Indica que la cámara está conectada a la red de suministro eléctrico y cargando la batería LP-E6 extraíble o las versiones NP-F570 en la empuñadura Blackmagic Pocket Camera Battery Grip.
	Porcentaje	El ícono mostrará el porcentaje de carga restante si la batería lo permite. Cuando este valor disminuye a 20 %, el indicador se enciende de color rojo. Para ver u ocultar este indicador, pulse el ícono de la batería.

	Barras	Cada barra en el ícono de la batería corresponde a un 25 % de su carga. Cuando este valor disminuye a 20 %, el indicador se enciende de color rojo.
	Barras de la empuñadura para baterías	En caso de estar empleando una empuñadura Blackmagic Pocket Camera Battery Grip, las barras indicarán el estado de ambas baterías de manera independiente.
	Voltaje de la fuente de alimentación	Este valor indica el voltaje suministrado por la batería o un adaptador de corriente continua, un cable adaptador conectado a la salida D-Tap u otro accesorio personalizado. Para activar o desactivar este indicador, pulse el ícono de la batería.

Indicador LUT

Al emplear una tabla de conversión (LUT), la cámara mostrará un ícono en la esquina superior izquierda de la pantalla.



Histograma

El histograma de la señal puede apreciarse en la parte inferior de la pantalla. Este permite ver el contraste entre las luces y las sombras a lo largo de una línea horizontal.



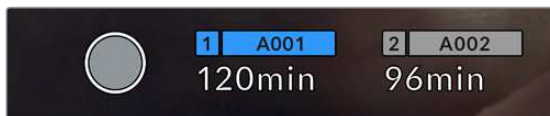
El histograma proporciona una indicación del rango de tonalidad entre las zonas más claras y oscuras de la imagen. Además, es una herramienta muy útil para verificar el balance de la exposición y evitar que se pierdan detalles en las partes más luminosas.

El extremo izquierdo corresponde a las partes más oscuras de la imagen, mientras que el derecho representa las zonas más claras. Al modificar la apertura del diafragma, es posible ver cómo los valores se desplazan hacia la izquierda o la derecha, según corresponda. Esto brinda la posibilidad de verificar que no se pierden detalles en las partes más brillantes y oscuras de la imagen. Si los extremos de la gráfica se cortan abruptamente en lugar de disminuir en forma gradual, es probable que haya una pérdida de información.

NOTA: Si no se ve el histograma en la parte inferior izquierda de la pantalla, es posible que la opción **Códec y resolución** esté activada en los ajustes de monitorización. Consulte el apartado *Ajustes de monitorización* para obtener más información al respecto.

Botón de grabación

El botón gris situado junto al histograma en la parte inferior de la pantalla permite grabar imágenes. Púselo una vez para comenzar la grabación. Para detenerla, púselo nuevamente. Al grabar, el botón y el código de tiempo en la parte superior de la pantalla se ven de color rojo.



Botón de grabación, junto a los indicadores de los soportes de almacenamiento en la parte inferior de la pantalla.



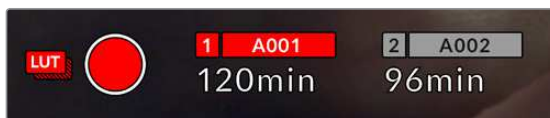
El botón se enciende de color rojo al grabar.

LUT aplicada

La pantalla indica si se ha aplicado una tabla de conversión (LUT) al material grabado.



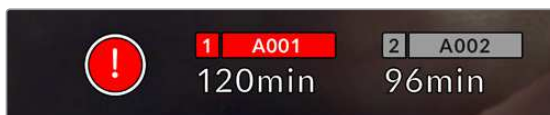
El ícono LUT indica que se ha aplicará una tabla de conversión al material grabado.



El ícono LUT indica que se está aplicando una tabla de conversión al material grabado.

Fotogramas omitidos

Si se detectan fotogramas omitidos al filmar, aparecerá un signo de exclamación en forma intermitente sobre el botón de grabación. El indicador del tiempo restante correspondiente a la unidad afectada también se encenderá de color rojo. Por ejemplo, si se omiten fotogramas al grabar en la tarjeta CFast, el signo de exclamación aparecerá sobre el botón de grabación, y el indicador de la tarjeta se encenderá de rojo. Esto permite saber si una determinada unidad de almacenamiento es demasiado lenta para el formato y la resolución que se han seleccionado. El indicador también aparece si se detectan fotogramas omitidos en el material grabado. Este permanecerá en la pantalla hasta que se grabe otro clip o se apague la cámara. Consulte los apartados referentes a la elección de soportes de grabación para obtener más información al respecto.

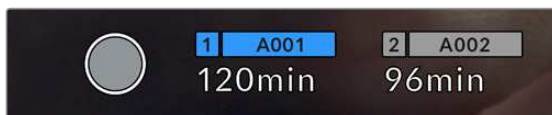


Indicador de fotogramas omitidos en la tarjeta CFast

NOTA: Es posible configurar la cámara para que deje de grabar si se detectan fotogramas omitidos, a fin de evitar que el soporte de almacenamiento se llene con material inutilizable. Consulte el apartado *Ajustes de grabación* para obtener más información al respecto.

Tiempo de grabación restante

Al insertar una tarjeta SD o CFast en la cámara o conectar una unidad USB-C, la pantalla muestra el tiempo de grabación restante. Dicho valor se indica en minutos y varía según la frecuencia de imagen y el formato seleccionado. Asimismo, el tiempo restante se calcula automáticamente al cambiar cualquiera de estos parámetros. El indicador se enciende de color rojo cuando quedan aproximadamente 5 minutos y parpadea cuando el tiempo de grabación restante es menos de 2 minutos. Si la unidad no tiene más capacidad, la pantalla muestra el siguiente mensaje: **LLENA**.



La pantalla de la cámara indica el nombre de las unidades de almacenamiento y el tiempo de grabación restante en minutos.

El nombre de la unidad de almacenamiento aparece en una barra pequeña sobre el tiempo de grabación restante. Esta se enciende de color azul cuando la cámara está lista para grabar en dicho soporte. Para grabar en una unidad diferente, mantenga presionado el nombre de la misma. Durante la grabación, la barra se enciende de color rojo.

Al pulsar el indicador de la unidad, es posible acceder a las opciones de almacenamiento y al menú para formatearla.



Pulse el indicador correspondiente al soporte de grabación en la parte inferior de la pantalla a fin de acceder a las opciones para dicha unidad.

Este menú muestra el espacio disponible en cada unidad, su nombre, la duración del último clip grabado, la cantidad de clips almacenados y el sistema utilizado para darle formato.

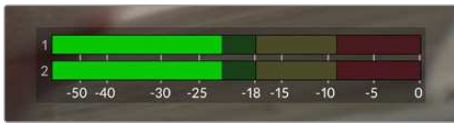
Asimismo, es posible formatear los soportes de grabación mediante dicho menú. Consulte el apartado *Preparación de soportes de grabación* para obtener más información al respecto.

SUGERENCIA: Pulse el nombre de la unidad en el menú de almacenamiento para activarla. La cámara grabará primero en dicho soporte.

Vúmetros

Los vúmetros muestran la intensidad del audio para los canales 1 y 2 al utilizar el micrófono de la cámara o conectar fuentes externas. Este parámetro se mide en dBFS (decibelios a escala completa) y, al alcanzar su nivel máximo, se enciende un indicador que permanece iluminado brevemente.

Mantenga la intensidad del volumen por debajo de los 0 dBFS para obtener una mejor calidad de audio. Este valor corresponde al nivel máximo al cual la cámara puede registrar el sonido, y si se excede, podría ocurrir una distorsión.



Las barras de color del vúmetro representan la intensidad del audio. De ser posible, el volumen máximo no debe exceder la zona verde superior. Si los picos de la señal alcanzan la zona amarilla o roja, podría ocurrir una distorsión.

Al pulsar el vúmetro, es posible acceder a los controles para los canales 1 y 2, el altavoz o los auriculares.



Pulse los vúmetros en la pantalla, a fin de acceder a las opciones para el volumen, el altavoz y los auriculares.

Pulsar dos veces para ampliar la imagen

Es posible ampliar cualquier parte de la imagen visualizada pulsando dos veces la pantalla. Deslice el dedo sobre la misma para desplazar la imagen. Esto es de suma utilidad al comprobar el enfoque. Para volver al tamaño original, pulse la pantalla nuevamente dos veces.

Pellizcar para ampliar la imagen

Es posible ajustar el nivel de ampliación de la imagen mediante la pantalla táctil usando distintos gestos. Esto no afecta a la señal transmitida por la salida HDMI.

Para aumentar la imagen al doble, pulse dos veces la pantalla o presione el botón **ZOOM** en el panel trasero de la cámara. A continuación, con dos dedos «pellizque» la pantalla a fin de ajustar el nivel de ampliación. Es posible arrastrar los dedos sobre la misma para ver distintas partes aumentadas de la imagen. Para volver al tamaño original, pulse la pantalla nuevamente dos veces o presione el botón **ZOOM**.

Al pulsar dos veces la pantalla o presionar el botón **ZOOM**, se alterna entre el nivel de ampliación anterior y el tamaño original de la imagen. Por ejemplo, si se «pellizca» la pantalla para aumentar la imagen ocho veces, al pulsarla otras dos se mostrará la imagen original, y al hacerlo nuevamente, la versión aumentada.

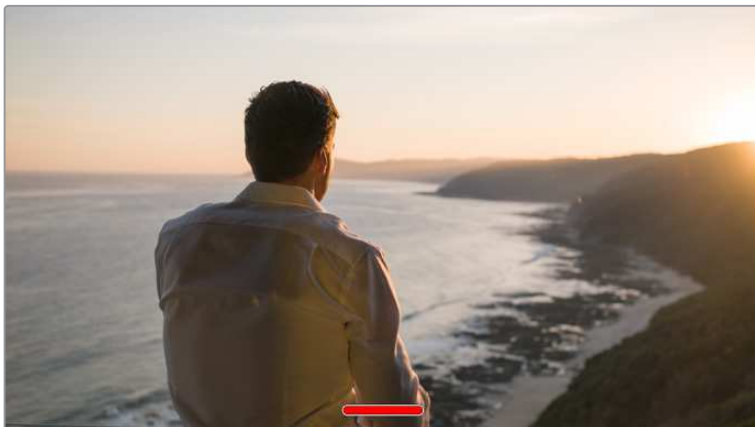
Pulsar para enfocar

Es posible cambiar el punto de enfoque tocando y manteniendo presionada la parte de la imagen en la pantalla sobre la cual se desea enfocar. Presione el botón de enfoque para enfocar el objetivo en el elemento deseado. Presione dos veces dicho botón para regresar al modo predeterminado.

Modo de pantalla completa

Al enfocar o encuadrar un plano, puede resultar útil ocultar provisoriamente el texto y los indicadores que aparecen en la pantalla. Para ello, deslice el dedo hacia arriba o abajo sobre la misma. Nótese que los indicadores de grabación y enfoque, las guías de encuadre y las rayas diagonales de la función Cebra permanecerán visibles.

Para volver a ver dichos elementos, deslice nuevamente el dedo hacia arriba o abajo sobre la pantalla.



Deslice el dedo hacia arriba o abajo sobre la pantalla para ocultar las opciones.

Reproducción

Presione el botón de reproducción para acceder al menú correspondiente. La reproducción de las imágenes grabadas con anterioridad puede controlarse mediante los botones de la cámara o la pantalla táctil.

En este último caso, pulse el botón de reproducción para ver el clip grabado, y nuevamente para detenerlo. Utilice los botones de avance o retroceso para ir al comienzo o el final de una secuencia. Pulse el botón de avance una vez para ir al comienzo del clip siguiente. Oprima el botón de retroceso una vez para reproducir el clip actual desde el inicio, o dos veces para retroceder hasta el comienzo del clip anterior. Cabe señalar que también es posible reproducir las secuencias de forma continua pulsando el botón con la flecha circular.



Íconos de retroceso, reproducción, avance rápido y reproducción continua

Para avanzar o retroceder la reproducción, mantenga presionados los botones correspondientes. Esto permite reproducir el material grabado hacia adelante o atrás al doble de la velocidad normal.

Cada vez que se pulsa el botón de avance o retroceso en este modo, la velocidad de reproducción aumenta al doble. Nótese que la velocidad máxima es de x16. Al pulsar el botón nuevamente, el clip volverá a reproducirse al doble de la velocidad normal (x2). Pulse el botón de retroceso una vez para reducir la velocidad de reproducción a la mitad. Para regresar a la velocidad normal, pulse el botón de reproducción.



Este indicador muestra la velocidad y la dirección en la que se reproduce el material grabado.

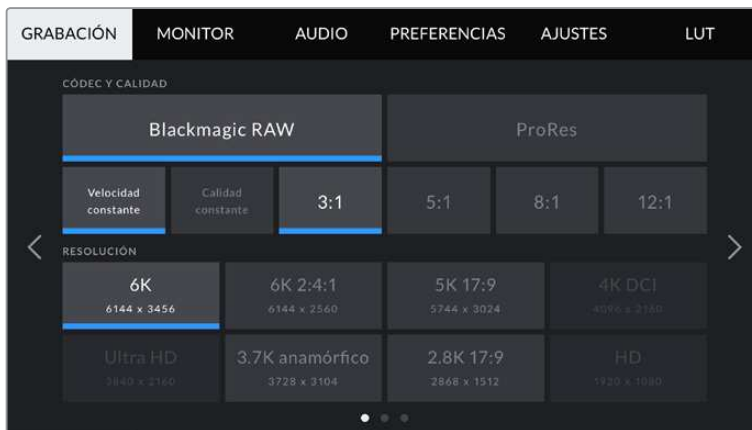
Al presionar el botón de grabación durante la reproducción, la cámara permanecerá en modo de espera.

SUGERENCIA: Deslice el dedo hacia arriba o abajo sobre la pantalla táctil para ocultar el texto durante la reproducción. Acceda a la claqueta virtual en el modo de reproducción para indicar que el clip es bueno mediante la opción **TOMA BUENA** en los metadatos. Consulte el apartado *Metadatos* para obtener más información al respecto.

Ajustes

Panel de opciones

Presione el botón **MENU** para acceder al panel de opciones. Este incluye varias opciones a las que no es posible acceder desde la pantalla táctil. Los ajustes están organizados en distintas pestañas según la función que cumplen. Para acceder a las opciones de cada pestaña, pulse las flechas situadas a ambos lados de la pantalla o deslice el dedo hacia la izquierda o la derecha.



Pulse una de las pestañas para acceder a las opciones correspondientes.

Ajustes de grabación

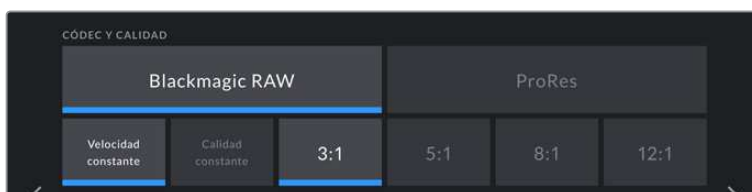
La pestaña **GRABACIÓN** permite seleccionar el formato, el códec, la resolución y otros parámetros importantes del material grabado, tales como el rango dinámico y la nitidez de los detalles.

Ajustes de grabación 1

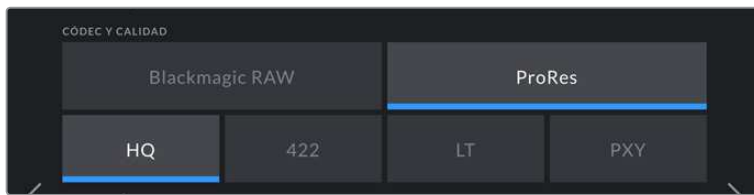
El primer grupo de ajustes de la pestaña **GRABACIÓN** incluye las siguientes opciones:

Códec y calidad

Este menú está dividido en dos filas. La fila superior permite seleccionar dos tipos de códecs: Blackmagic RAW y ProRes. Por su parte, la inferior brinda distintas opciones de calidad para cada uno de ellos. Por ejemplo, las opciones disponibles para el códec ProRes incluyen **422 HQ**, **422**, **422 LT** y **422 Proxy**. En el menú **Blackmagic RAW**, las opciones están divididas en cuatro para **Velocidad constante** y en dos para **Calidad constante**.



Opciones **CÓDEC Y CALIDAD** para Blackmagic RAW



Opciones **CÓDEC Y CALIDAD** para ProRes

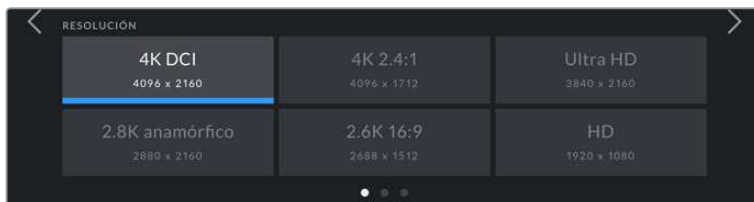
SUGERENCIA: El tiempo de grabación disponible en una unidad de almacenamiento aumenta al elegir formatos con un mayor grado de compresión. Consulte las tablas respectivas en el apartado *Grabación* para obtener más información al respecto.

Resolución

Esta opción está vinculada al códec escogido. Elija la resolución según el formato de grabación. Por ejemplo, para grabar contenidos UHD en formato ProRes HQ, seleccione **ProRes** y **HQ** en el menú **CÓDEC Y CALIDAD**. A continuación, elija **UHD** en el menú **RESOLUCIÓN**.



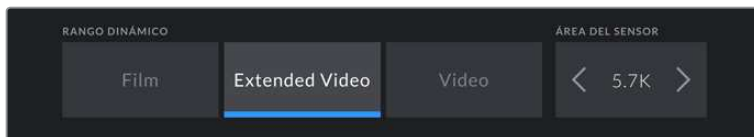
Opciones **RESOLUCIÓN** al grabar en Blackmagic RAW en el modelo Blackmagic Pocket Cinema Camera 6K



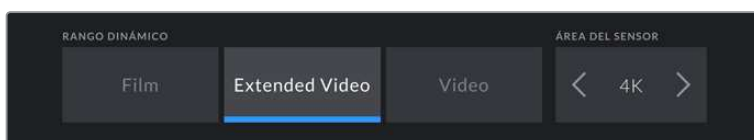
Opciones **RESOLUCIÓN** en el modelo Blackmagic Pocket Cinema Camera 4K. Cabe destacar que, en el formato DCI 4K, la categoría se denomina **RESOLUCIÓN**, mientras que en los otros es **RESOLUCIÓN - ÁREA DEL SENSOR REDUCIDA**.

Ajustes de grabación 2

El segundo grupo de ajustes de la pestaña **GRABACIÓN** incluye las siguientes opciones:



Opciones **RANGO DINÁMICO** y **ÁREA DEL SENSOR** en el modelo Blackmagic Cinema Camera 6K



Opciones **RANGO DINÁMICO** y **ÁREA DEL SENSOR** en el modelo Blackmagic Cinema Camera 4K

Rango dinámico

Seleccione el rango dinámico pulsando la opción deseada. Los modelos Blackmagic Pocket Cinema Camera ofrecen tres modos:

Film	Este modo brinda la posibilidad de filmar empleando una curva logarítmica que permite mantener la amplitud del rango dinámico y aprovecha al máximo la información incluida en la señal para sacar partido de las ventajas que ofrecen los programas de etalonaje, tales como DaVinci Resolve.
Extended Video	Este modo es una opción intermedia entre los modos Video y Film . Ofrece un rango dinámico más amplio que el primero, al mismo tiempo que realiza cambios sutiles en el contraste atenuando las zonas más luminosas. Esta opción resulta más adecuada al emplear monitores profesionales y es de gran ayuda cuando el tiempo de posproducción es limitado y se desea grabar las imágenes con un aspecto agradable.
Video	Este modo utiliza el estándar Rec. 709 para imágenes en alta definición y permite trabajar con mayor rapidez al emplear formatos comprimidos y un espacio cromático adecuado para entregar el material directamente o editarlo sin realizar grandes cambios.

NOTA: Al grabar en formato Blackmagic RAW o ProRes con el modo **Film**, la imagen en la pantalla de la cámara lucirá apagada y con poco contraste. Esto se debe a que el archivo contiene abundante información que aún no ha sido optimizada para su visualización en un monitor. No obstante, cuando se emplea dicho modo, es posible aplicar una tabla de conversión (LUT) al supervisar el material grabado en la pantalla de la cámara o en un dispositivo conectado a la salida HDMI, a fin de simular el contraste adecuado. Consulte el apartado *Tablas de conversión* para obtener más información al respecto.

Área del sensor

Los modelos Blackmagic Pocket Cinema Camera pueden configurarse para que utilicen todo el sensor o solo una parte del mismo, a fin de lograr una mayor frecuencia de imagen. En este último caso, solo se emplea la cantidad de píxeles necesaria para un formato determinado, en vez de ajustar el tamaño de la imagen captada por la totalidad del sensor. Algunos formatos combinan ambas configuraciones. Por ejemplo, en el modelo Pocket Cinema Camera 6K, es posible grabar en HD con el área del sensor completa o reducida a partir de una resolución 5.7K o 2.7K.

Dado que en el modo reducido se usa solo el centro del sensor, el campo de visión de cualquier objetivo parecerá más angosto debido al factor de recorte que se produce. Por ejemplo, al utilizar un objetivo de 20 mm para grabar en alta definición reduciendo el área aprovechable del sensor, el campo de la cámara será equivalente al de una lente de 40 mm.

La opción para reducir el área que utiliza el sensor solo se encuentra disponible al filmar con una resolución menor que la máxima admitida por la cámara, por ejemplo, UHD o ProRes HD.

Al grabar imágenes en formato 2.8K 17:9 reduciendo el área aprovechable del sensor o en HD reduciendo la definición a partir de una resolución 2.7K, es posible lograr mayores frecuencias de imagen en el modelo Blackmagic Pocket Cinema Camera 6K. En la versión Blackmagic Pocket Cinema Camera 4K, dichas frecuencias se consiguen al grabar imágenes en formato 2.8K 17:9 reduciendo el área aprovechable del sensor o en HD ajustando la definición a partir de una resolución 2.7K.

Consulte el apartado *Frecuencias de imagen máximas para el sensor* a fin de obtener más información al respecto.

Frecuencia de imagen del proyecto

La frecuencia de imagen del proyecto permite elegir entre diferentes velocidades comúnmente utilizadas en la industria del cine y la televisión, por ejemplo, 23.98 f/s. Normalmente, este valor se ajusta de manera que coincida con la velocidad de reproducción empleada durante el proceso de posproducción, o según los requisitos para la entrega del material grabado.

Las ocho opciones disponibles para este ajuste son: 23.98, 24, 25, 29.97, 30, 50, 59.94 y 60 f/s.

Velocidad de grabación distinta

Por defecto, la frecuencia de imagen del sensor y del proyecto coinciden, a fin de que el material grabado se reproduzca a una velocidad normal. Sin embargo, al activar la opción **FREC. INDEPENDIENTE**, se pueden determinar valores diferentes para estos parámetros de manera independiente.

Frecuencia de imagen distinta

Una vez activada la opción **FREC. INDEPENDIENTE**, pulse las flechas situadas a ambos lados del indicador para modificar este parámetro.

Este ajuste determina la cantidad de fotogramas que el sensor capta cada segundo, lo cual incide en la velocidad de reproducción de las imágenes según la frecuencia seleccionada para el proyecto.

Consulte el apartado *Fotogramas por segundo* para obtener más información al respecto.

NOTA: Consulte la tabla en el apartado *Grabación* a fin de obtener más información sobre las frecuencias de imagen disponibles para cada formato y códec.

Tarjeta preferida para la grabación

Esta opción permite determinar qué soporte de almacenamiento se utiliza para la grabación cuando hay más de una unidad en la cámara. Las opciones disponibles son **Tarjeta CFast**, **Tarjeta SD** y **Tarjeta más llena**. El hecho de emplear una u otra tarjeta es una elección meramente personal. Sin embargo, recomendamos utilizar siempre la misma unidad para saber cuál será necesario cambiar una vez que no haya más espacio para grabar. La opción **Tarjeta más llena** brinda la posibilidad de agrupar archivos cronológicamente al filmar con una sola cámara.

Al insertar una tarjeta, se aplica la opción seleccionada. Para cambiar la configuración, acceda al menú de almacenamiento y pulse el nombre de la unidad que desea utilizar. Conviene subrayar que, al quitar una unidad e insertar otra, se restablecerá la opción seleccionada en el menú **TARJETA PREFERIDA PARA LA GRABACIÓN**.

SUGERENCIA: La opción **Tarjeta más llena** se basa en el porcentaje de espacio ocupado en la unidad y no en su tamaño o capacidad.

Detener al omitir fotogramas

Esta opción permite configurar el comportamiento de la cámara cuando se detectan fotogramas omitidos. Al desactivarla, la grabación continuará de todas maneras. Si se encuentra activada, la grabación se detendrá. Esto permite evitar perder tiempo captando imágenes que posteriormente no se utilizarán.

SUGERENCIA: Consulte el apartado *Soportes de grabación* para obtener más información al respecto.

Ajustes de grabación 3

El tercer grupo de ajustes de la pestaña **GRABACIÓN** incluye las siguientes opciones:



Intervalos

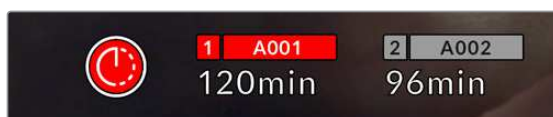
Esta opción permite grabar automáticamente un fotograma en función de los siguientes intervalos:

Fotogramas	2 - 10
Segundos	1 - 10, 20, 30, 40, 50
Minutos	1 - 10

Por ejemplo, la cámara puede ajustarse para grabar un cuadro cada 10 fotogramas, 5 segundos, 30 segundos, 5 minutos, etc.

Esta función brinda diferentes opciones creativas. Por ejemplo, si se establecen intervalos de 2 fotogramas, se logra un efecto de cámara rápida al reproducir el clip.

Presione el botón de grabación para comenzar. Al presionarlo nuevamente, la secuencia se guarda como un clip individual, según el códec y la frecuencia de imagen que se hayan seleccionado en la cámara. Esto permite exportarla directamente a una línea de tiempo como cualquier otro clip.



Un ícono junto al botón de grabación aparecerá para indicar que el modo por intervalos está activado.

SUGERENCIA: Al utilizar la función **INTERVALOS**, el contador del código de tiempo cambia cada vez que se graba un fotograma.

Ajuste de detalles

Este ajuste permite dar mayor nitidez a las imágenes. Cuando se encuentra activada, es posible escoger entre tres niveles distintos.

Al activar esta función, el nivel de nitidez elegido se aplicará tanto a las imágenes grabadas en formato ProRes como a aquellas transmitidas mediante la salida HDMI de la cámara.

Esta opción es útil al transmitir en directo desde un estudio, cuando las imágenes se emiten al aire sin modificaciones. Recomendamos desactivarla si el material grabado se editará luego en la etapa de posproducción. Cabe mencionar que esta función no está disponible al seleccionar el códec Blackmagic RAW.

Aplicar LUT al grabar

Por defecto, la cámara no aplica tablas de conversión al grabar, aunque es posible hacerlo pulsando el interruptor **APLICAR LUT AL GRABAR**.

Esto puede resultar útil en situaciones en las que no hay tiempo de etalonar el material grabado durante la posproducción, o si es preciso entregarlo directamente a un cliente o al editor. Consulte los apartados *Tablas de conversión tridimensionales* y *Controles de la pantalla táctil* para obtener más información al respecto.

Aplicar una LUT a un archivo

Al usar el códec Blackmagic RAW y aplicar una LUT a cualquiera de las imágenes transmitidas desde la cámara, dicha tabla se integra al archivo Blackmagic RAW grabado. Esto significa que se almacena en el encabezado del archivo, por lo que resulta muy sencillo aplicarla al clip en la etapa de posproducción y, al mismo tiempo, se evita tener que depender de un archivo adicional. Cuando se activa la opción **INTEGRAR LUT EN ARCHIVO** en el menú **GRABACIÓN** de la cámara, el clip se abre en el reproductor Blackmagic RAW o en el programa DaVinci Resolve con la tabla ya aplicada a la imagen. Por otro lado, es muy fácil activarla o desactivarla, aunque siempre estará integrada en el archivo Blackmagic RAW.

DaVinci Resolve también ofrece la opción **Aplicar LUT** en el panel **Ajustes RAW** del módulo Color, a fin de activar o desactivar una tabla de conversión tridimensional en el archivo Blackmagic RAW. Este botón funciona igual que en la cámara. De este modo, durante el rodaje, es posible indicar al colorista qué tabla de conversión emplear en la cámara, pero luego se puede cancelar en DaVinci Resolve desactivando la opción **Aplicar LUT**.

Convención para la nomenclatura de archivos

El material grabado se guarda en unidades CFast, SD o USB-C en formato Blackmagic RAW o ProRes QuickTime, según la opción seleccionada.

La siguiente tabla muestra un ejemplo del sistema utilizado para nombrar los archivos:

A001_08151512_C001.mov	Nombre del archivo QuickTime
A001_08151512_C001.mov	Índice de la cámara
A001_08151512_C001.mov	Número de rollo
A001_08151512_C001.mov	Mes
A001_08151512_C001.mov	Día
A001_08151512_C001.mov	Hora
A001_08151512_C001.mov	Minuto
A001_08151512_C001.mov	Número de clip

Las fotos se nombran según la nomenclatura empleada para los clips, añadiéndose **S001** al final para indicar el número de imagen en lugar del número de clip. Consulte el apartado *Metadatos del proyecto* para obtener más información al respecto.

Ajustes de monitorización

La pestaña **MONITOR** permite modificar el texto de los datos, la información en pantalla y otras opciones para supervisar imágenes mediante el visor de la cámara o cualquier monitor conectado a la salida HDMI de la misma. Los distintos ajustes están organizados en categorías denominadas **LCD**, **HDMI** y **LCD/HDMI**, según correspondan a la pantalla de la cámara, el monitor conectado a la salida HDMI o ambos. Cada uno de los menús está compuesto por dos secciones a las que es posible acceder pulsando las flechas situadas a ambos lados de la pantalla táctil o deslizando el dedo hacia la izquierda o la derecha.

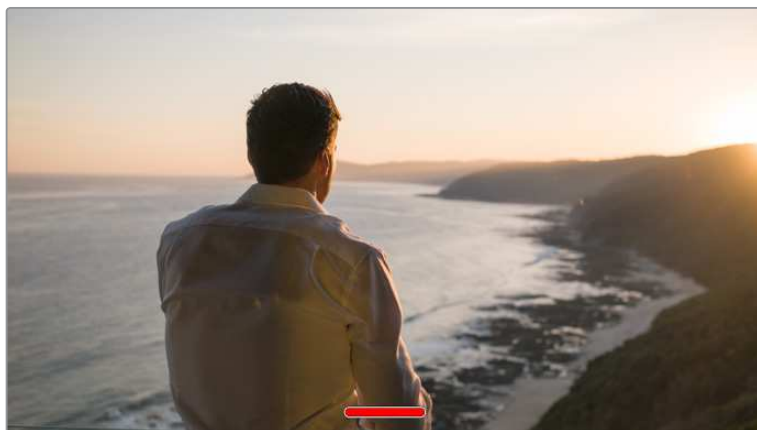
Ajustes de monitorización 1

El primer grupo de ajustes de cada pestaña incluye las mismas opciones para cada salida. Por ejemplo, es posible activar la función Cebra para la pantalla táctil y desactivarla en la señal transmitida a través de la salida HDMI.



Señal limpia

Esta opción permite ocultar toda la información que se muestra en la pantalla o en la imagen transmitida a través de la salida HDMI, excepto el indicador de grabación.



En el modo **SEÑAL LIMPIA**, la pantalla de la cámara muestra solamente el indicador de grabación.

NOTA: Si la función **SEÑAL LIMPIA** está activada, las tablas de conversión (LUT) se aplicarán igualmente a las imágenes. Para desactivarlas, desactive el interruptor **MOSTRAR LUT 3D** en la pestaña **MONITOR**.

Mostrar LUT 3D

Esta opción permite aplicar tablas de conversión tridimensionales a cualquier señal para simular la apariencia del material etalonado. Esto resulta de gran utilidad al grabar en modo **Film**.

Si hay una LUT 3D activa en la cámara, esta opción brinda la posibilidad de aplicarla independientemente a la señal visualizada en la pantalla táctil o en el monitor conectado a la salida HDMI.

Consulte el apartado *Tablas de conversión tridimensionales* para obtener más información al respecto.

Los interruptores en los ajustes de las opciones **LCD** y **HDMI** permiten activar y desactivar diferentes funciones, tales como el indicador de enfoque, las guías de encuadre, la cuadrícula o el falso color.

Cebra

Pulse este interruptor en las opciones **LCD** o **HDMI** para activar o desactivar esta función. Consulte el apartado *Características de la pantalla táctil* para obtener más información al respecto.

Asistente de enfoque

Pulse el interruptor en las opciones **LCD** o **HDMI** para ver u ocultar el indicador de enfoque. Consulte el apartado *Características de la pantalla táctil* para obtener más información al respecto.

Guías de encuadre

Pulse el interruptor en las opciones **LCD** o **HDMI** para ver u ocultar las guías de encuadre. Consulte el apartado *Características de la pantalla táctil* para obtener más información al respecto.

Cuadrícula

Pulse el interruptor en las opciones **LCD** o **HDMI** para ver u ocultar la cuadrícula. Consulte el apartado *Características de la pantalla táctil* para obtener más información al respecto.

Área de seguridad

Pulse el interruptor en las opciones **LCD** o **HDMI** para ver u ocultar el área de seguridad. Consulte el apartado *Características de la pantalla táctil* para obtener más información al respecto.

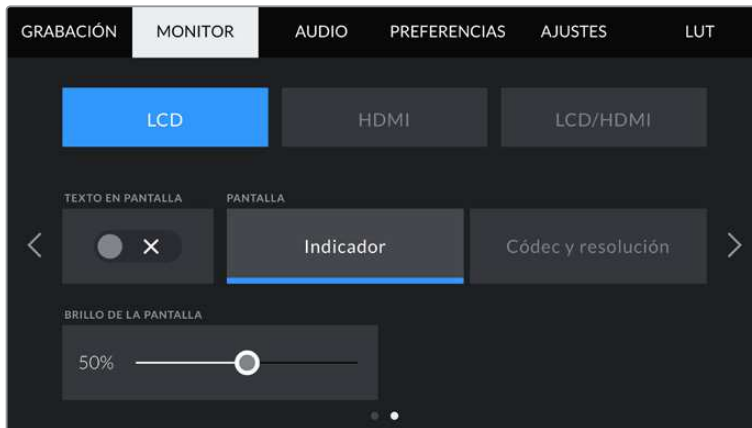
NOTA: Utilice el ajuste **ÁREA DE SEGURIDAD** en la opción **LCD/HDMI** de la pestaña **MONITOR** para configurar el tamaño del área de seguridad.

Falso color

Pulse el interruptor en las opciones **LCD** o **HDMI** para activar o desactivar esta función. Consulte el apartado *Características de la pantalla táctil* para obtener más información al respecto.

Ajustes de monitorización 2 (LCD)

El segundo grupo de ajustes de la opción LCD corresponde a la imagen visualizada únicamente en la pantalla de la cámara.



El interruptor **TEXTO EN PANTALLA** permite ver u ocultar el texto y los indicadores superpuestos a la imagen.

Texto en pantalla

En ocasiones puede resultar útil ocultar los indicadores y demás datos en la imagen, a fin de ver solo la información necesaria para realizar la composición del plano. Para ello, pulse el interruptor **TEXTO EN PANTALLA**. Cabe destacar que otras funciones, tales como las guías de encuadre, la cuadrícula y el indicador de enfoque, permanecerán en pantalla si están activadas. También es posible deslizar el dedo sobre la pantalla hacia arriba o abajo para ver u ocultar el texto y los indicadores.

Pantalla

Esta opción permite ver el códec y la resolución en la parte inferior izquierda y derecha de la pantalla, en vez del histograma y los vúmetros. Esto puede resultar útil al utilizar la función de falso color para ajustar la exposición, o si es necesario visualizar información adicional en el espacio normalmente destinado al histograma y a los vúmetros cuando el audio se graba aparte.

Simplemente pulse **Indicadores** o **Código y resolución** en la pantalla para seleccionar la opción deseada.



En los modelos Blackmagic Pocket Cinema Camera, es posible ver el códec y la resolución en lugar del histograma y los vúmetros.

Brillo de la pantalla

Mueva el control deslizante hacia la izquierda o la derecha para ajustar el brillo de la pantalla táctil.

Ajustes de monitorización 2 (HDMI)

El segundo grupo de ajustes de la opción **HDMI** corresponde únicamente a la imagen transmitida mediante la salida HDMI.



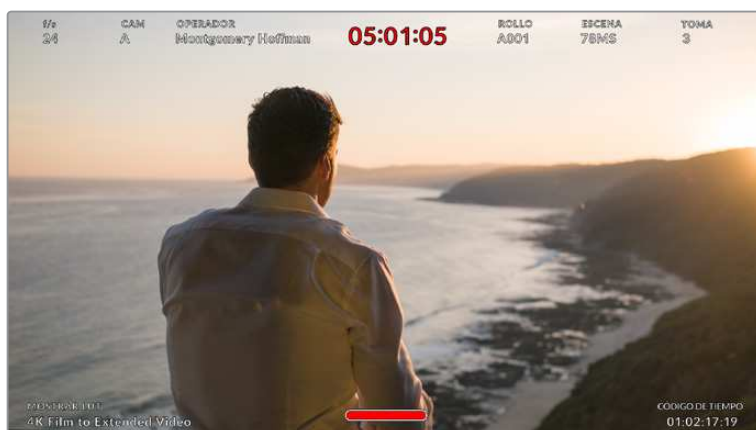
Texto en pantalla

En ocasiones puede resultar útil ocultar los indicadores y demás datos en la imagen, a fin de ver solo la información necesaria para realizar la composición del plano. Pulse el interruptor **TEXTO EN PANTALLA** en la opción **HDMI** para ver u ocultar el texto y los indicadores. Cabe destacar que otras funciones, tales como las guías de encuadre, la cuadrícula y el indicador de enfoque, permanecerán en pantalla si están activadas.

También es posible deslizar el dedo sobre la pantalla hacia arriba o abajo para ver u ocultar el texto y los indicadores.

Mostrar texto en pantalla para el responsable de fotografía o el director

La pantalla de la cámara permite ver ciertos datos, tales como la sensibilidad ISO, el balance de blancos y la apertura del diafragma, que resultan útiles para el cineasta o el responsable de fotografía que compone los planos. Sin embargo, también es posible mostrar dicha información en la imagen transmitida mediante la salida HDMI, lo cual resulta útil para el director o el continuista que supervisa varias tomas o cámaras.



Los modelos Blackmagic Pocket Cinema Camera permiten ver datos útiles para el director en la imagen transmitida mediante la salida HDMI.

Al seleccionar la opción **Director/a**, se mostrará la siguiente información:

- **Frecuencia de imagen**
El indicador **f/s** muestra la frecuencia seleccionada en fotogramas por segundo. Cuando la opción **FREC. INDEPENDIENTE** está desactivada, este valor hace referencia a la frecuencia de imagen seleccionada para el proyecto. Si dicha opción se encuentra activada, se indicarán ambos valores en forma alternada.
- **Cámara**
El indicador **CAM** identifica la cámara especificada en la claqueta virtual. Consulte el apartado *Claqueta virtual* para obtener más información al respecto.
- **Operador/a**
Este indicador identifica a la persona especificada en la claqueta virtual en este campo. Consulte el apartado *Claqueta virtual* para obtener más información al respecto.
- **Duración**
Este indicador muestra la duración de la grabación o del último clip grabado en horas, minutos y segundos.
- **Rollo, escena, toma**
Estos indicadores brindan información sobre el rollo, la escena y la toma que se está grabando. Consulte el apartado *Claqueta virtual* para obtener información adicional al respecto.
- **Rango dinámico**
La tabla de conversión (LUT) aplicada a la imagen se indica en la esquina inferior izquierda de la pantalla. De no aplicarse tabla alguna, se indica el rango dinámico utilizado.
- **Código de tiempo**
El código de tiempo se indica en la esquina inferior derecha de la pantalla y se expresa en horas, minutos, segundos y fotogramas.

Ajustes de monitorización 1 (LCD/HDMI)

Los ajustes de la opción **LCD/HDMI** afectan tanto a la imagen visualizada en la pantalla de la cámara como en el monitor conectado a la salida HDMI. Por ejemplo, al seleccionar un valor de 90 % para el área de seguridad, este se verá reflejado tanto en la pantalla de la cámara como en la señal transmitida mediante dicha salida.

Esta pestaña incluye dos grupos de ajustes que se describen a continuación.



Guías de encuadre

Pulse cualquiera de las flechas a ambos lados de la opción **GUÍAS DE ENCUADRE** para ver los ajustes disponibles. Consulte el apartado *Características de la pantalla táctil* para obtener más información sobre cada uno de ellos. Conviene mencionar que también es posible activar o desactivar las guías de encuadre de forma individual para la imagen visualizada en la pantalla o en el monitor conectado a la salida HDMI desde la pestaña **MONITOR**.

Opacidad de las guías

Pulse cualquiera de las flechas situadas a ambos lados de la opción **OPACIDAD DE GUÍAS** para determinar la opacidad de las partes de la imagen situadas fuera del área delimitada por las guías. Los valores disponibles son 25 %, 50 %, 75 % y 100 %.

Asistente de enfoque

La cámara ofrece dos modos para el indicador de enfoque: **Indicador** y **Líneas de color**.

Indicador	Al seleccionar esta opción se resaltan con mayor nitidez las zonas de la imagen correctamente enfocadas. Nótese que este efecto no es visible en el material grabado. De este modo, dichas áreas se destacan sobre el resto de la imagen. Dado que no hay otros elementos superpuestos, esta herramienta constituye una forma sumamente efectiva de comprobar el enfoque, especialmente cuando el objeto enfocado está separado de los demás que componen la toma.
Líneas de color	Al seleccionar esta opción se ve una línea de color alrededor de las partes de la imagen correctamente enfocadas. Este modo puede interferir más en la imagen, pero es de gran utilidad para lograr un enfoque preciso, particularmente en planos con varios elementos visibles.

Nivel del indicador

Este ajuste permite determinar la intensidad del indicador de enfoque en la imagen. Las opciones disponibles son **Bajo**, **Medio** y **Alto**.

NOTA: Al seleccionar el nivel del indicador de enfoque, no se activa ni se desactiva dicha función en la imagen visualizada en la pantalla de la cámara o en el monitor conectado a la salida HDMI. Para ello, utilice el interruptor correspondiente en las opciones **LCD** y **HDMI** de la pestaña **MONITOR**.

SUGERENCIA: La intensidad óptima para el indicador de enfoque varía según la toma. Por ejemplo, al enfocar a actores, un nivel más alto facilita la atenuación de los bordes alrededor del rostro. Por el contrario, si la intensidad es demasiado alta al filmar vegetación o una pared de ladrillos, es posible que se dificulte la visualización de otros detalles en la imagen.

Color de borde

Esta opción permite elegir el color de las líneas al seleccionar el modo **Líneas de color**. Esto brinda la posibilidad de distinguirlas con mayor facilidad de otros elementos en la imagen. Los colores disponibles son blanco, rojo, verde, azul y negro.

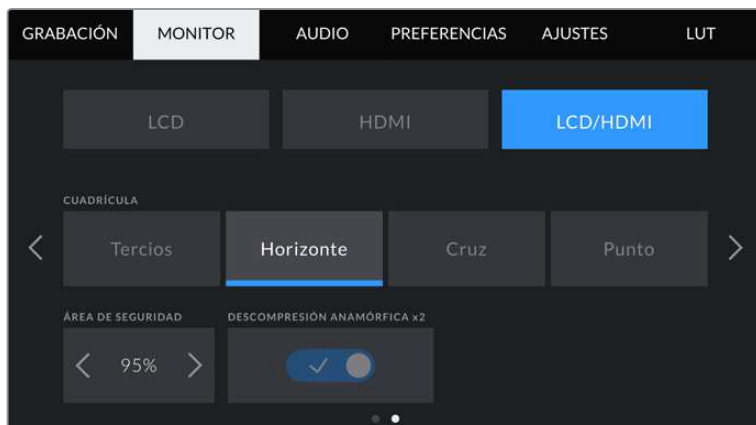
Cebra - Intensidad

Las flechas situadas a ambos lados de esta opción permiten seleccionar el nivel de exposición al cual esta herramienta se torna visible en la imagen. Este puede ajustarse en incrementos de 5 puntos porcentuales, y es posible escoger cualquier valor entre 75 % y 100 %.

Consulte el apartado *Características de la pantalla táctil* para obtener más información al respecto.

Ajustes de monitorización 2 (LCD/HDMI)

El segundo grupo de ajustes en la opción **LCD/HDMI** incluye las siguientes funciones:



Segundo grupo de ajustes en la opción **LCD/HDMI**

Cuadrícula

Esta opción permite seleccionar el tipo de cuadrícula visualizado en la imagen. Las opciones son: **Tercios**, **Horizonte**, **Cruz** y **Punto**.

Consulte el apartado *Características de la pantalla táctil* para obtener más información al respecto.

Área de seguridad

Las flechas situadas a ambos lados de esta opción permiten ajustar el tamaño del área de seguridad, expresado como un porcentaje con relación a la imagen. El valor requerido por la mayoría de las televisoras es de 90 %.

Descompresión anamórfica

Los modelos Blackmagic Pocket Cinema Camera permiten aplicar una descompresión anamórfica a la imagen visualizada en la pantalla de la cámara o transmitida mediante la salida HDMI. Es posible activar la opción **DESCOMPRESIÓN ANAMÓRFICA X1.33** cuando se está grabando en formato 16:9 o 17:9. Al seleccionar el formato **3.7K anamórfico** en el modelo Pocket Cinema Camera 6K, o la opción **2.8K anamórfico** en la versión Pocket Cinema Camera 4K, la cámara aplica automáticamente una descompresión anamórfica de x2.

Ajustes de audio

La pestaña **AUDIO** permite modificar diversos ajustes relativos a las fuentes de audio y su monitorización.

Existen dos grupos de ajustes de audio y estos se encuentran organizados por canal.

Es posible asignar cada canal a una fuente distinta, así como ajustar diversos parámetros.

Ajustes de audio 1

El primer grupo de ajustes de la pestaña **AUDIO** incluye las siguientes opciones:



Fuentes

Las opciones **CANAL 1 - FUENTE** y **CANAL 2 - FUENTE** permiten seleccionar fuentes de audio para cada canal. A continuación se describen los distintos ajustes.

- **Cámara - Canal izquierdo y Cámara - Canal derecho**
Estas opciones permiten grabar mediante los micrófonos de la cámara.
- **Cámara - Mono**
Esta opción permite grabar un solo canal de audio mediante los micrófonos de la cámara.
- **XLR - Línea**
Esta opción permite grabar audio a nivel de línea mediante la entrada XLR de la cámara.
- **XLR - Micrófono**
Esta opción permite grabar audio a nivel de micrófono mediante la entrada XLR de la cámara. Al activar el modo de alimentación fantasma y seleccionar esta opción, verá un interruptor denominado **+48V**. Es importante asegurarse de que este se encuentra desactivado al desconectar el micrófono.
- **3.5 mm canal izquierdo - Línea**
Esta opción emplea solamente el canal izquierdo de la entrada de 3.5 mm a nivel de línea.
- **3.5 mm canal derecho - Línea**
Esta opción emplea solamente el canal derecho de la entrada de 3.5 mm a nivel de línea.
- **3.5 mm mono - Línea**
Esta opción permite generar una mezcla monoaural de ambos canales de la entrada de 3.5 mm a nivel de línea.
- **3.5 mm canal izquierdo - Micrófono**
Esta opción emplea solamente el canal izquierdo de la entrada de 3.5 mm a nivel de micrófono.
- **3.5 mm canal derecho - Micrófono**
Esta opción emplea solamente el canal derecho de la entrada de 3.5 mm a nivel de micrófono.
- **3.5 mm mono - Micrófono**
Esta opción permite generar una mezcla monoaural de ambos canales de la entrada de 3.5 mm a nivel de micrófono.
- **Ninguna**
Esta opción permite desactivar las fuentes de audio.

NOTA: Al seleccionar la entrada de 3.5 mm como fuente de audio, los canales 1 y 2 deben estar a nivel de línea o micrófono. Es decir, si se elige la opción **3.5 mm canal izquierdo - Línea** como fuente del canal 1, las opciones disponibles para la entrada del canal 2 siempre serán **3.5 mm canal izquierdo - Línea**, **3.5 mm canal derecho - Línea** y **3.5 mm mono - Línea**. Las opciones correspondientes al micrófono no estarán disponibles.

Volumen

Las opciones **CANAL 1 - NIVEL** y **CANAL 2 - NIVEL** permiten ajustar el volumen del audio.

Ganancia

Los controles **CANAL 1 - GANANCIA** y **CANAL 2 - GANANCIA** permiten ajustar el volumen de grabación de las fuentes correspondientes a los canales 1 y 2.

Ajustes de audio 2

El segundo grupo de ajustes de la pestaña **AUDIO** incluye las siguientes opciones:



Volumen de auriculares

Este control permite ajustar el volumen de los auriculares conectados a la cámara. Deslice el control hacia la izquierda o la derecha para modificarlo.

Volumen de altavoz

Este control permite modificar el volumen de salida para el altavoz integrado de la cámara. Deslice el control hacia la izquierda o la derecha para modificarlo.

Alimentación fantasma XLR

La entrada XLR brinda la posibilidad de suministrar una corriente de 48 V a micrófonos a través del modo de alimentación fantasma. Al seleccionar la entrada **XLR**, pulse el interruptor **ALIMENTACIÓN FANTASMA XLR** para activarlo o desactivarlo.

Indicador de volumen

Seleccione una opción para el picómetro.

Opciones	Estándar
PPM (-20 dBFS)	SMPTE RP.0155
PPM (-18 dBFS)	EBU R.68

NOTA: En general, siempre se conecta el cable XLR antes de activar el modo de alimentación fantasma. Conviene mencionar además que es importante desactivarlo cuando no haya un micrófono conectado. De lo contrario, los dispositivos que no requieren este modo de alimentación podrían resultar dañados al conectarlos. Asimismo, tenga en cuenta que la cámara puede tardar unos momentos en descargarse una vez desactivado este modo.

Recomendamos esperar unos minutos antes de volver a conectar otros micrófonos o equipos con conexiones XLR.

Preferencias

La pestaña **PREFERENCIAS** incluye opciones para identificar la cámara y configurar los botones personalizables, además de otros ajustes que no están directamente vinculados a la grabación o supervisión de imágenes. Para acceder a las distintas opciones, pulse las flechas situadas a ambos lados de la pantalla o deslice el dedo hacia la izquierda o la derecha.

Ajustes generales 1

El primer grupo de ajustes en la pestaña **PREFERENCIAS** incluye las siguientes opciones:

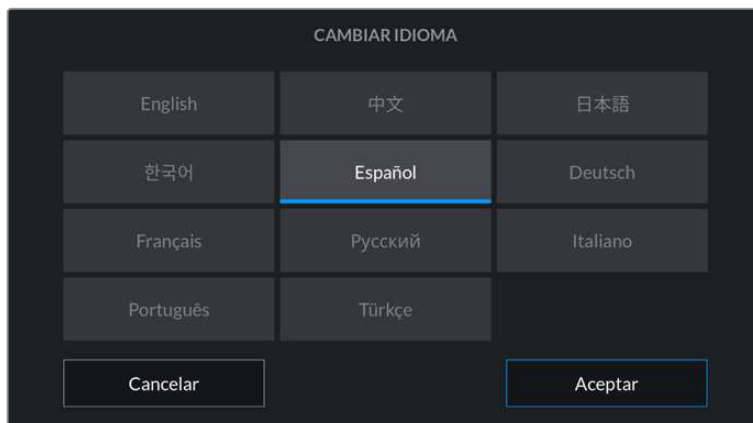


Fecha y hora

Esta opción permite establecer la fecha y la hora en la cámara. El formato de la fecha es año, mes y día, y se utiliza el sistema de 24 horas. Esta información se emplea además para determinar el código de tiempo según la hora del día, si no se conecta una fuente externa.

Idioma

La interfaz de los modelos Pocket Cinema Camera está disponible en 11 idiomas: español, inglés, alemán, francés, italiano, chino, japonés, coreano, ruso, turco y portugués.



El idioma puede seleccionarse durante la configuración inicial.

Para seleccionar el idioma:

- 1 Pulse **IDIOMA** y elija una de las opciones disponibles.
- 2 Pulse **Aceptar** para regresar al menú de configuración.

Valor de obturación

Esta opción permite seleccionar entre los valores **ÁNGULO** y **VELOCIDAD**, según si este se expresa en función del ángulo o la velocidad, respectivamente.

Conviene mencionar que el ángulo de obturación se ajusta según la frecuencia de imagen. Por ejemplo, un ángulo de 180 grados genera la misma cantidad de desenfoque dinámico, independientemente de la frecuencia seleccionada.

Sin embargo, al medir este parámetro en función de la velocidad, el valor absoluto del obturador se determina sin importar la frecuencia de imagen, de modo que, al modificarla, los resultados obtenidos serán diferentes.

Por ejemplo, al grabar a 24 f/s, una velocidad de obturación de 1/48 s creará un desenfoque dinámico agradable, equivalente a un ángulo de 180 grados. Si cambiamos la frecuencia de imagen a 48 f/s y mantenemos la velocidad de obturación, ya no se logrará el mismo desenfoque, sino que será equivalente a un ángulo de 360 grados. En este caso, al aumentar la frecuencia, es necesario ajustar la velocidad de obturación a 1/96 s para obtener el mismo efecto que con un ángulo de 180 grados.

Frecuencia (Obturación sin parpadeo)

Este ajuste permite seleccionar la frecuencia de la red de suministro eléctrico utilizada para calcular los valores de obturación sin parpadeo.

Al grabar con luz artificial, el ángulo de obturación puede afectar la visibilidad del parpadeo. La cámara calcula automáticamente los valores de obturación sin parpadeo para la frecuencia de imagen seleccionada y sugerirá tres opciones. Estos valores se ven afectados por la frecuencia de la red utilizada para suministrar corriente eléctrica a las luces. En la mayoría de los países en los que predomina el estándar PAL, la frecuencia es de 50 Hz, mientras que en aquellos que emplean la norma NTSC, este parámetro es de 60 Hz. Seleccione la opción **50Hz** o **60Hz** según la frecuencia utilizada en su región.

NOTA: Las características de algunas fuentes lumínicas pueden ocasionar parpadeo, incluso al emplear valores que eviten este artefacto. Si no se utilizan luces continuas, recomendamos realizar primero una grabación de prueba.

Estabilización de imagen

Esta opción en el modelo Blackmagic Pocket Cinema Camera 4K permite activar o desactivar esta función en objetivos que no cuentan con un interruptor para ello.

C/T (Fotogramas omitidos)

Esta opción permite emplear este código de tiempo al utilizar frecuencias para el proyecto de 29.97 y 59.94 en NTSC. En este caso, se ignora una cierta cantidad de fotogramas, teniendo en cuenta intervalos determinados. Este procedimiento respeta la precisión del código de tiempo del proyecto, a pesar de que cada segundo no contiene un número entero de fotogramas en frecuencias NTSC.

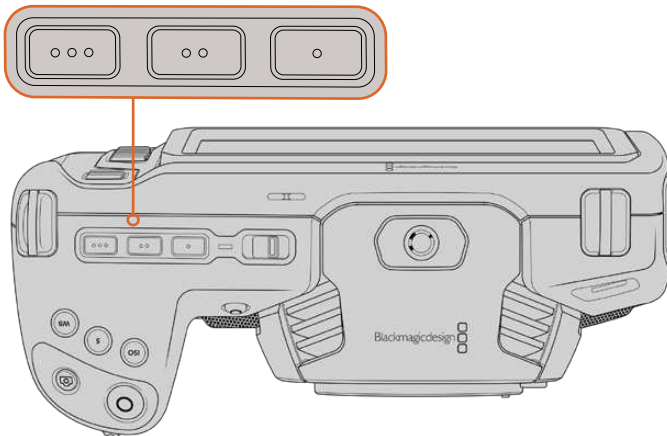
Ajustes generales 2

El segundo grupo de ajustes de la pestaña **PREFERENCIAS** incluye las siguientes opciones:



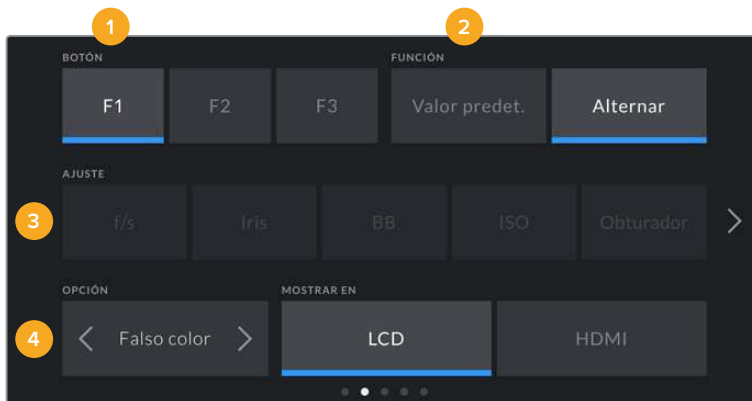
Botones programables

En la parte superior de los modelos Blackmagic Pocket Cinema Camera, hay tres botones programables con uno, dos y tres puntos, que corresponden a las opciones F1, F2 y F3 en la interfaz, respectivamente. Es posible asignarles las funciones más utilizadas y acceder a ellos con facilidad al emplear la cámara.



Los botones programables se encuentran en la parte superior de la cámara.

Para configurar estos botones, seleccione uno de ellos, luego la función y a continuación los ajustes y parámetros deseados.



1 Botón 2 Función 3 Ajuste 4 Opción

Función

Una vez que se selecciona el botón deseado, es posible determinar su función. Las opciones disponibles son las siguientes:

Valor predeterminado	<p>Al seleccionar esta opción, cuando se presiona el botón indicado, se muestra una combinación de un ajuste y una opción.</p> <p>Para configurar dicha combinación, elija una de las opciones en el menú AJUSTE y luego seleccione el parámetro correspondiente pulsando las flechas situadas a ambos lados del menú FUNCIÓN.</p> <p>Por ejemplo, para que la apertura del diafragma cambie a f8 al presionar el botón F1, seleccione la opción Valor predet., luego Iris y a continuación busque la opción f8 utilizando las flechas situadas a ambos lados del menú OPCIÓN. Al pulsar Valor predet. nuevamente, se restablece la configuración anterior de la cámara.</p>
Alternar	<p>Al seleccionar esta opción, se activa o desactiva una determinada función. En este caso, el menú AJUSTE no está disponible. Por consiguiente, utilice las flechas situadas a ambos lados del menú OPCIÓN para seleccionar una de las siguientes: Frec. independ., OIS, Señal limpia, Mostrar LUT, Guías de encuadre, Asist. de enfoque, Falso color, Cebra, Cuadrícula y Área de seguridad.</p> <p>Utilice la opción Alternar para elegir la imagen a la que se aplican dichos ajustes, es decir, aquella visualizada en la pantalla de la cámara o en el monitor conectado a la salida HDMI. Si no es posible seleccionar las opciones LCD o HDMI, estas permanecerán desactivadas.</p>

Ajustes generales 3

El tercer grupo de ajustes de la pestaña **PREFERENCIAS** incluye las siguientes opciones:



Luz piloto

Los modelos Blackmagic Pocket Cinema Camera disponen de un led pequeño en la parte frontal que se enciende de color rojo cuando la cámara está grabando. Pulse el interruptor **LUZ PILOTO** para activarlo o desactivarlo.

Brillo

Esta opción permite seleccionar la intensidad del led indicador. Las opciones son: **Bajo**, **Medio** y **Alto**.

Identificación

Los ocho caracteres en este campo permiten identificar la cámara. Esta identificación es diferente para cada unidad. Por otra parte, en archivos Blackmagic RAW y ProRes, los metadatos incluyen una versión más larga, compuesta por 32 caracteres. Esto puede ser útil para reconocer el material grabado con una determinada cámara.

Software

Este campo muestra la versión del sistema operativo interno de la cámara. Consulte el apartado *Programa utilitario de la cámara* para obtener más información al respecto.

Reproducción

Este ajuste permite reproducir uno o todos los clips almacenados en el soporte de grabación. Al seleccionar la opción **Todos los clips** o **Un clip**, se reproducen todas las secuencias en orden o una por vez, respectivamente. Al activar la función de reproducción continua, sucede lo mismo. Se reproducen todos los clips almacenados en la tarjeta o solo uno en particular, sin interrupciones.

Ajustes generales 4

El cuarto grupo de ajustes de la pestaña **PREFERENCIAS** incluye opciones relativas a la conexión Bluetooth®.



El nombre de la cámara está compuesto por la letra seleccionada en la claqueta virtual, seguida de un identificador de 8 caracteres.

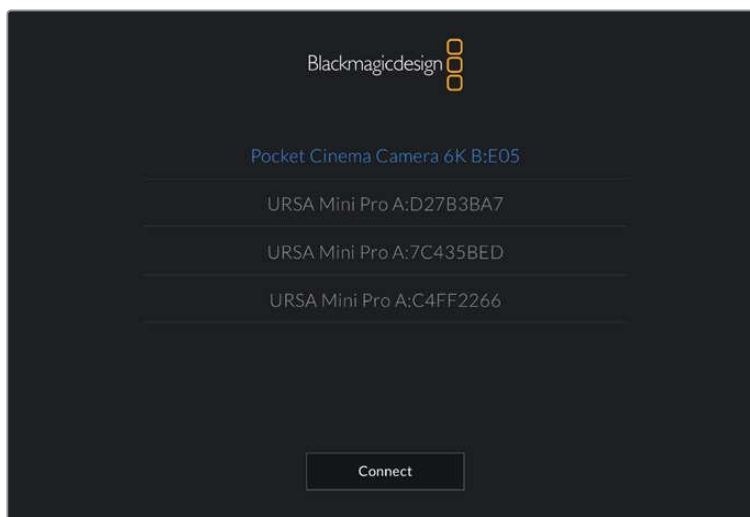
Bluetooth

Esta opción permite controlar la cámara a través de un dispositivo portátil. Mediante la aplicación Blackmagic Camera Control, es posible encender o apagar la unidad, modificar ajustes, cambiar los metadatos o iniciar la grabación de forma remota desde un iPad. Para activar o desactivar esta función, pulse el interruptor **BLUETOOTH** en la pestaña **PREFERENCIAS**. Cuando está activada, la cámara puede ser detectada por otros dispositivos situados a una distancia máxima de 9 metros. Dado que la cámara emplea los mismos comandos tanto para la conexión Bluetooth como para el protocolo de control integrado de Blackmagic, es posible desarrollar aplicaciones para controlar prácticamente todos los parámetros de la cámara. Por ejemplo, desde opciones para supervisar imágenes y ajustar audio, hasta herramientas de corrección cromática en DaVinci Resolve o incluso para controlar el objetivo.

Para obtener más información al respecto, consulte el documento *Control de cámaras Blackmagic*, disponible en nuestra página para desarrolladores.

Para vincular la cámara a un iPad por primera vez:

- 1 Pulse el interruptor **BLUETOOTH** en la pestaña **PREFERENCIAS** para activar la conexión.
- 2 Abra la aplicación Blackmagic Camera Control y seleccione la cámara que desea vincular al dispositivo. Las unidades disponibles aparecen ordenadas según su identificador, por ejemplo, A:A0974BEA.



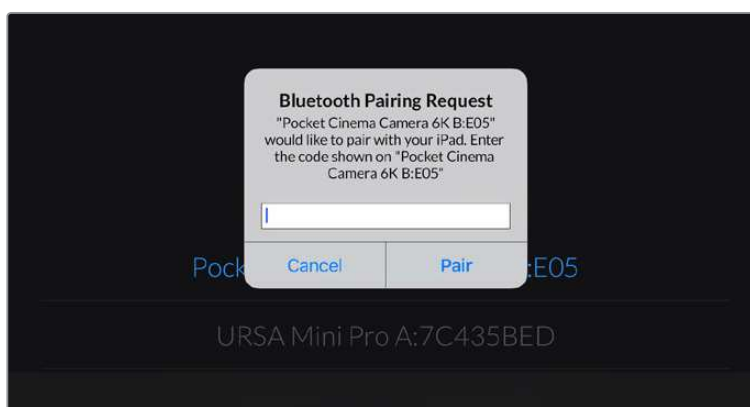
Seleccione la cámara que desea vincular al dispositivo.

NOTA: Después de instalar y ejecutar la aplicación por primera vez, aparecerá el siguiente mensaje: **Allow location access**. Al seleccionar la opción **While using the app**, la información generada por el GPS del iPad se incluirá en los metadatos de los archivos grabados, lo cual permite saber dónde se filmaron. También es posible acceder a dicha información desde el programa DaVinci Resolve.

Seleccione la opción **Never** si no desea utilizar estos datos.

Para modificar los ajustes en el iPad, seleccione la opción **Settings**, luego **Privacy**, a continuación **Location services**, y por último **Camera control**.

- 3 Al intentar establecer la conexión por primera vez, la aplicación le solicitará un código de seis dígitos para vincular el dispositivo a la cámara, que aparece en la pantalla de esta última. Ingrese el código en el dispositivo y pulse el botón **Pair**.





- 4 Una vez establecida la conexión, aparecerá un mensaje de confirmación.



- 5 Si no es posible vincular los dispositivos, aparecerá un mensaje de error. Inténtelo nuevamente.



NOTA: Por motivos de seguridad, recomendamos desactivar la conexión Bluetooth cuando no se utiliza para controlar la cámara.

Desconectar dispositivo

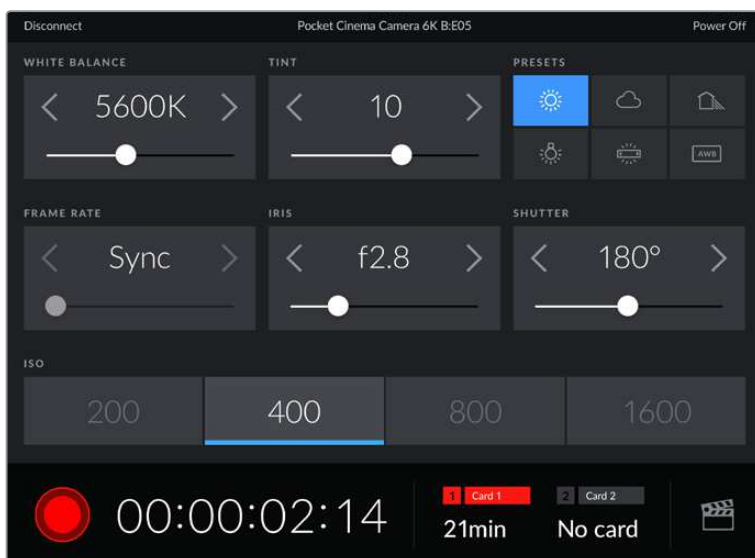
Esta opción permite desvincular la cámara y el dispositivo.

Borrar dispositivos vinculados

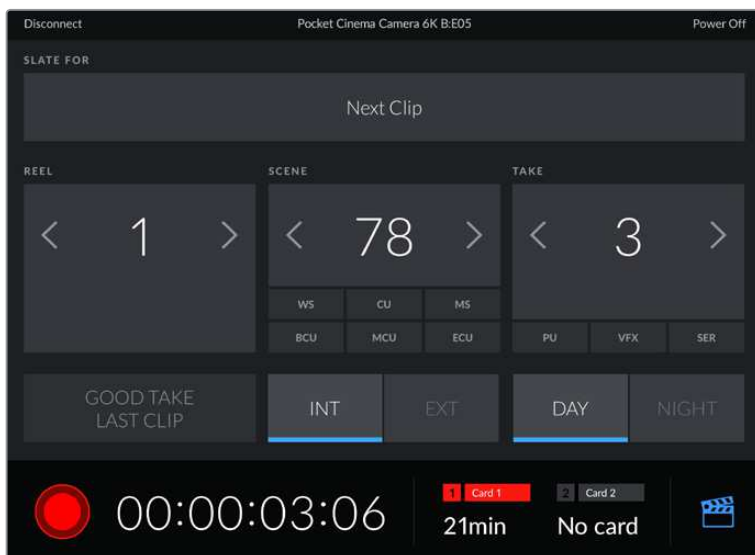
Esta opción permite borrar la lista de dispositivos a los que la cámara se ha vinculado.

Control de la cámara con la aplicación Blackmagic Camera Control

Esta aplicación permite encender o apagar la cámara, modificar su configuración, cambiar metadatos o iniciar la grabación de forma remota una vez vinculada a un iPad.



Una vez vinculada, la aplicación Blackmagic Camera Control mostrará esta pantalla que permite modificar ajustes y comenzar la grabación.



Pulse la claqueta en la esquina inferior derecha de la pantalla para acceder a la información que contiene.

La cámara hace uso de la tecnología Bluetooth LE para comunicarse con otros dispositivos de manera inalámbrica. Este es el mismo protocolo empleado en equipos portátiles y utiliza una cantidad mínima de batería.

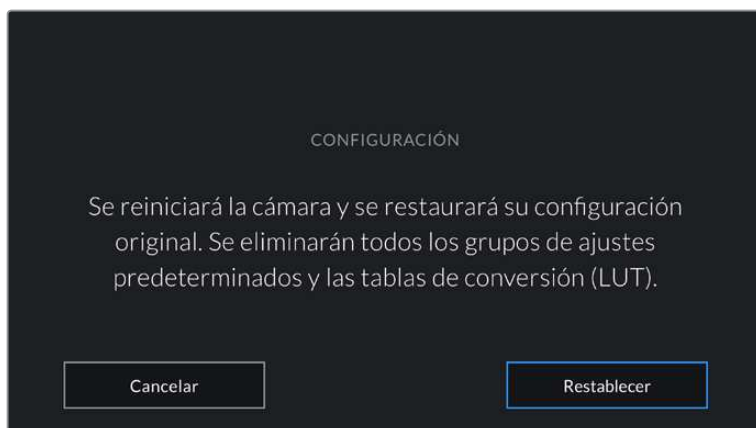
Ajustes generales 5

El quinto grupo de ajustes de la pestaña **PREFERENCIAS** incluye opciones para restablecer la configuración de fábrica, reasignar píxeles y calibrar el horizonte virtual.



Configuración

Esta opción permite restablecer la configuración original de la cámara. Al pulsar **Restablecer ajustes de la cámara**, aparecerá un mensaje de confirmación. Presione **Restablecer** para continuar. Se eliminarán todas las tablas de conversión y los ajustes predeterminados, y se restablecerá la configuración original. Recomendamos exportar los ajustes personalizados a una tarjeta de memoria a fin de respaldarlos antes de restablecer la configuración. Una vez finalizado dicho procedimiento, es posible importarlos a la cámara nuevamente. Cabe destacar que esta opción restablece asimismo el horizonte virtual, de manera que es aconsejable recalibrar el sensor de movimiento a fin de mantener su precisión.



Al seleccionar la opción **Restablecer ajustes de la cámara**, deberá confirmar si desea llevar a cabo dicho procedimiento.

Reasignación de píxeles

El sensor CMOS está formado por millones de píxeles que responden a la luz. Algunos pueden cambiar su brillo con el transcurso del tiempo una vez que se calibra el sensor en la fábrica. En consecuencia, se vuelven más visibles y se los conoce como «píxeles calientes». Independientemente del fabricante, todos los sensores desarrollan este tipo de defecto.

Para solucionar este problema, es posible emplear la función de calibración integrada a fin de corregir los píxeles defectuosos.

Para comenzar el proceso, basta con colocar la tapa protectora del objetivo y pulsar el botón **Reasignar píxeles** a efectos de reasignar los píxeles. Esto debería tardar un minuto aproximadamente.

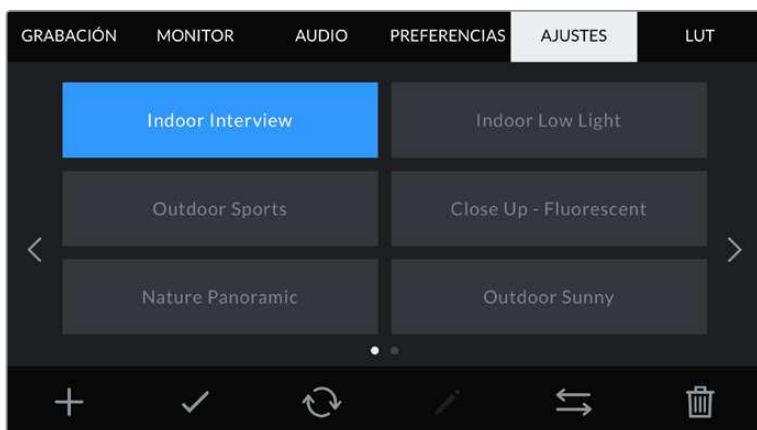
Sensor de movimiento

Para calibrar el horizonte virtual, coloque la cámara sobre una superficie nivelada y seleccione la opción **Calibrar sensor de movimiento**. Es imprescindible que la cámara se mantenga estable durante todo el proceso. Esto debería tardar cinco segundos aproximadamente.

Ajustes

Esta pestaña brinda la posibilidad de guardar y volver a utilizar hasta 12 grupos de ajustes predeterminados. Esto puede resultar muy útil cuando se emplea la cámara en diversos proyectos. Por ejemplo, es posible que la unidad se utilice en rodajes que requieren distintos ajustes, tales como documentales o videoclips. Esta función permite guardar una configuración determinada para un proyecto específico, a fin de usar nuevamente estos ajustes cuando sea necesario. La cámara ofrece espacio para almacenar un máximo de 12 configuraciones.

Asimismo, es posible importar y exportar estas configuraciones, lo cual resulta conveniente en rodajes con varias cámaras. Basta con modificar los ajustes según el tipo de proyecto y luego exportar la configuración de una unidad a las demás utilizadas en el estudio de grabación.



La pestaña **AJUSTES** permite alternar rápidamente entre distintas configuraciones almacenadas en la cámara.

NOTA: La cámara permite almacenar hasta 12 configuraciones en su memoria interna.

Botones

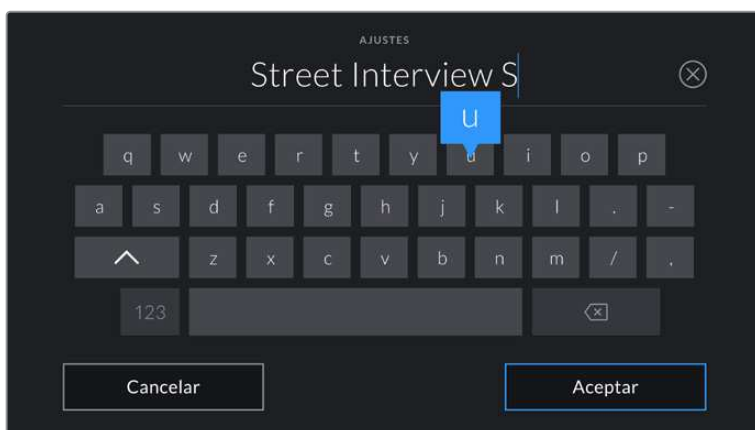
Los íconos en la parte inferior de la pantalla corresponden a las siguientes funciones:

				
Agregar	Cargar	Actualizar	Organizar	Eliminar

Guardar y cargar configuraciones

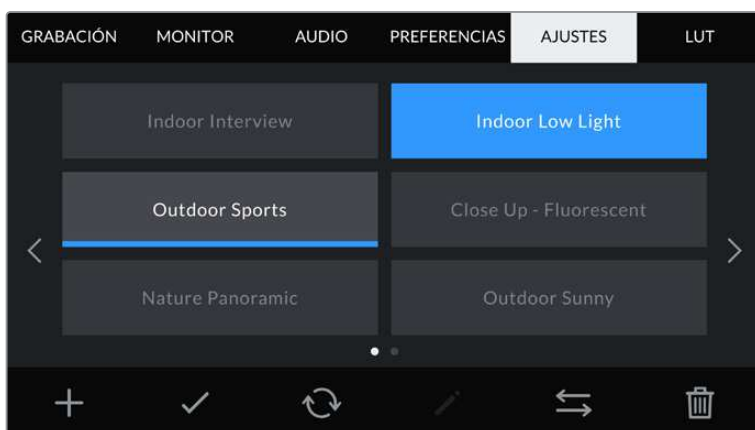
Pulse el ícono **Agregar** para crear una configuración predeterminada. Aparecerá un teclado en pantalla mediante el cual se puede asignar un nombre para la misma. Escriba el nombre y pulse **Aceptar** para guardar la configuración de la cámara.

Si ya existe una configuración con el mismo nombre, es posible sustituirla o mantener ambas.



Escriba un nombre mediante el teclado que aparece al pulsar el botón **Agregar** en la pestaña **AJUSTES**.

Una vez guardada la configuración, pulse su nombre para seleccionarla. Para cargarla, pulse el ícono **Cargar** en la parte inferior de la pantalla.



Elija una configuración predeterminada y pulse el ícono **Cargar** en la parte inferior de la pantalla para cargarla. Al seleccionar una configuración, el rectángulo con su nombre se destaca de color azul. Al cargarla, aparece una línea de dicho color en la parte inferior del mismo.

Es posible actualizar una configuración pulsando el ícono **Actualizar** en la parte inferior de la pantalla. Aparecerá un mensaje preguntándole si desea actualizar los ajustes de la cámara. Para continuar, pulse el botón **Aceptar**.

Importar configuraciones

Para importar una configuración, pulse el ícono **Organizar** en la parte inferior de la pantalla. Pulse la opción **Importar ajustes** y luego **Importar** para confirmar. Aparecerá una ventana para importar la configuración. Si el archivo con la configuración no está en la unidad de almacenamiento activa, seleccione otra pulsando el botón correspondiente en la parte superior de la pantalla. Es posible importar tablas desde tarjetas SD y CFast o unidades USB-C.

La cámara buscará el directorio raíz y la carpeta **Presets** en la unidad seleccionada y mostrará las configuraciones disponibles. Nótese que aquellas guardadas en otras ubicaciones no serán visibles.

Seleccione una configuración y pulse **Importar** para confirmar. Esta se guardará en uno de los espacios disponibles en la cámara.

NOTA: Si no hay espacio en la cámara para importar una configuración, el menú respectivo no estará disponible. Deberá eliminar alguna de las almacenadas antes de importar otra.

Si ya existe una configuración con el mismo nombre en la cámara, es posible reemplazarla o mantener ambas. En la parte superior derecha de la pantalla se muestra la cantidad de espacios libres para guardar configuraciones.

Exportar configuraciones

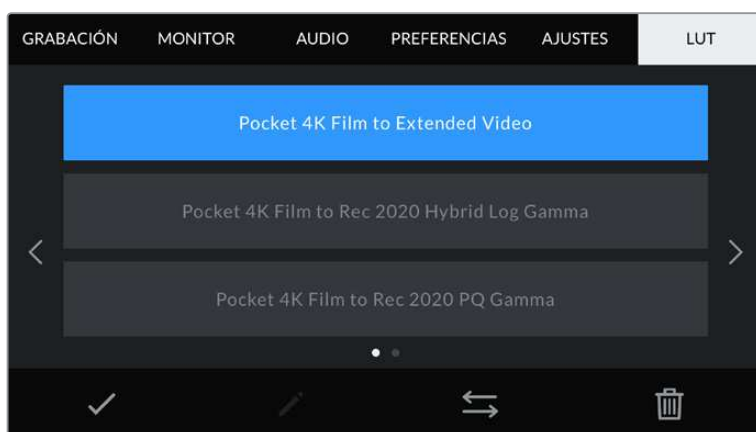
Seleccione una configuración y pulse el ícono **Organizar** para exportarla a una tarjeta o unidad USB-C. A continuación, pulse la opción **Exportar ajustes seleccionados** y elija la unidad donde desea guardar la configuración. Si ya existe una configuración con el mismo nombre, es posible sustituirla o mantener ambas. La cámara guardará los ajustes en una carpeta denominada **Presets**.

Eliminar configuraciones

Seleccione una configuración y pulse el ícono **Eliminar** para borrarla. Cuando aparezca el mensaje de confirmación, seleccione **Eliminar**.

Tablas de conversión tridimensionales

La pestaña **LUT** brinda la posibilidad de importar, exportar y aplicar tablas de conversión tridimensionales a la señal transmitida por la cámara.



Seleccione una LUT 3D desde la pestaña **LUT**.

Descripción general

Las tablas de conversión tridimensionales pueden aplicarse a la imagen visualizada en la pantalla de la cámara o transmitida mediante la salida HDMI. Estas indican qué valores cromáticos y de luminancia se aplican a una fuente determinada. Por ejemplo, es posible lograr que la cámara muestre un azul relativamente opaco con una tonalidad más saturada e intensa, cuando capta dicho color de manera apagada. Esto resulta útil al filmar en formato Blackmagic RAW o con rango dinámico Film, ya que en estos casos el material grabado presenta un contraste bajo. Al aplicar una LUT, es posible tener una idea de cómo lucirán las imágenes una vez etalonadas.

Es muy sencillo generar este tipo de tablas con DaVinci Resolve u otro programa de etalonaje. Además, también están disponibles en Internet. La cámara permite almacenar un máximo de 10 LUT tridimensionales de 17 o 33 puntos (1.5 MB máx. cada una). Luego es posible aplicarla a las imágenes visualizadas.

Los modelos Blackmagic Pocket Cinema Camera admiten LUT tridimensionales de 33 puntos en formato .cube creadas en DaVinci Resolve, y de 17 puntos convertidas a dicho formato con otros programas. La cámara procesa este tipo de tablas mediante una interpolación tetrahédrica de gran calidad.

SUGERENCIA: Consulte el apartado *Ajustes de monitorización* para obtener más información al respecto.

NOTA: Por defecto, la cámara no aplica tablas de conversión al grabar, aunque es posible hacerlo.

Esto puede resultar útil en situaciones en las que no hay tiempo de etalonar el material grabado durante la posproducción, o si es preciso entregarlo directamente a un cliente o al editor.

Al utilizar una LUT durante el rodaje, la información de la tabla se guarda en forma de metadatos junto con el material grabado. DaVinci Resolve muestra esta información en el campo **LUT utilizada** del panel **Metadatos**, lo cual permite al colorista verificar el nombre de la tabla empleada.

Tablas de conversión integradas

Distintas LUT integradas permiten aplicar diferentes estilos al grabar en modo Film o en formato Blackmagic RAW.

Cada cámara incluye LUT específicas según el tipo de sensor:

Pocket 4K Film to Extended Video / Pocket 6K Film to Extended Video

Ofrece un rango dinámico más amplio que la tabla de conversión **Pocket 4K Film to Video** o **Pocket 6K Film to Video** y aplica un contraste medio con una atenuación en las luces.

Pocket 4K Film to Rec 2020 Hybrid Log Gamma / Pocket 6K Film to Rec 2020 Hybrid Log Gamma

Brinda una apariencia combinada entre el espacio cromático Rec. 709 y una imagen logarítmica.

Pocket 4K Film to Rec 2020 PQ Gamma / Pocket 6K Film to Rec 2020 PQ Gamma

Muestra una curva de respuesta tonal basada en lo que percibe el ojo humano. Se recomienda esta opción para la codificación eficiente de imágenes HDR.

Pocket 4K Film to Video / Pocket 6K Film to Video

Esta tabla es similar al espacio cromático Rec. 709 para HD y además presenta un alto nivel de contraste y saturación. Resulta muy útil al emplear la cámara junto a otros modelos profesionales usando el espacio cromático Rec. 709.

Botones

Los íconos en la parte inferior de la pantalla corresponden a las siguientes funciones:

			
Cargar	Multimedia	Organizar	Eliminar

Importar tablas de conversión

Para importar una LUT, pulse el ícono **Organizar** en la parte inferior de la pantalla. Pulse la opción **Importar LUT** y luego **Importar** para confirmar. Aparecerá una ventana para importar la tabla. Si el archivo que contiene la tabla no está en la unidad de almacenamiento activa, seleccione otra pulsando el botón correspondiente en la parte superior de la pantalla. Es posible importar tablas desde tarjetas SD y CFast o unidades USB-C.

La cámara buscará el directorio raíz y la carpeta **3DLUTs** en la unidad seleccionada y mostrará las tablas disponibles. Nótese que aquellas guardadas en otras ubicaciones no serán visibles.

Seleccione una LUT y pulse **Import** para confirmar. Esta se guardará en uno de los espacios disponibles en la cámara.

NOTA: Si no hay espacio disponible en la cámara, será necesario eliminar una LUT antes de importar otra.

Si ya existe una LUT con el mismo nombre en la cámara, es posible reemplazarla o mantener ambas. En la parte superior derecha de la pantalla se muestra la cantidad de espacios libres para guardar tablas de conversión.

NOTA: Si no puede importar una LUT, es posible que no sea del tamaño adecuado. Utilice un editor de tablas (por ejemplo, Lattice) para verificar dicho valor, o abra el archivo mediante un editor de texto en el equipo informático. El tamaño se indica junto a la etiqueta **LUT_3D_SIZE**. Si este número no es 17 o 33, puede emplear Lattice para cambiar el tamaño de la tabla a 17 puntos.

Aplicar tablas de conversión

Una vez que la tabla se ha guardado en la cámara, selecciónela en la pestaña **LUT** y pulse el ícono **Cargar**. De esta forma, se aplicará a la imagen visualizada. Para aplicarla a la señal transmitida mediante la salida HDMI, pulse el interruptor **Mostrar LUT** en la pestaña **MONITOR**. Consulte el apartado *Ajustes de monitorización* para obtener más información al respecto.

Exportar tablas de conversión

Seleccione una LUT y pulse el ícono **Organizar** para exportarla a una tarjeta o unidad USB-C. A continuación, pulse la opción **Exportar LUT seleccionada** y elija la unidad donde desea guardar el archivo. Si ya existe una LUT con el mismo nombre, es posible reemplazarla o mantener ambas. La cámara exportará la tabla a una carpeta denominada **3DLUTs**.

Eliminar tablas de conversión

Para eliminar tablas que ya no están en uso o liberar espacio, seleccione una determinada y pulse el ícono **Eliminar** en la parte inferior de la pantalla. Cuando aparezca el mensaje de confirmación, seleccione **Eliminar**.

Tablas de conversión tridimensionales integradas

Al emplear una LUT 3D cuando se graba en formato Blackmagic RAW en los modelos Blackmagic Pocket Cinema Camera, dicha tabla se añade al archivo .braw generado. Esto significa que se almacena en el encabezado del archivo, por lo que resulta muy sencillo aplicarla al clip en la etapa de posproducción y, al mismo tiempo, se evita tener que depender de un archivo adicional.

Por lo tanto, al entregar archivos Blackmagic RAW a un editor o colorista, dichos profesionales podrán acceder fácilmente a la tabla utilizada durante el rodaje, lo que reduce significativamente el riesgo de usar una incorrecta. Esta se puede aplicar ya sea durante la etapa de edición o etalonaje, o directamente desactivarla en cualquier momento.

Cuando se activa la opción **Integrar LUT en archivo** en el menú **GRABACIÓN** de la cámara, el clip se abre en el reproductor Blackmagic RAW y en el programa DaVinci Resolve con la tabla de conversión ya aplicada a las imágenes.

Por otro lado, es muy fácil activarla o desactivarla, aunque siempre estará integrada en el archivo Blackmagic RAW. DaVinci Resolve también incluye la opción **Aplicar LUT** en el panel **Ajustes RAW** del módulo Color, a fin de activar o desactivar la tabla de conversión tridimensional en el archivo Blackmagic RAW.

Este botón funciona igual que en la cámara. Es decir, durante el rodaje, es posible indicar al colorista qué tabla de conversión emplear en la cámara, pero luego se puede cancelar en DaVinci Resolve desactivando la opción **Aplicar LUT**.

Metadatos

Los metadatos se guardan junto con el clip e incluyen información tal como el número de toma, la configuración de la cámara y su identificación. Resultan muy útiles para gestionar y procesar el material grabado durante la posproducción. Por ejemplo, los números de toma, plano y escena son fundamentales en la organización de los clips, mientras que la información del objetivo puede emplearse para eliminar la distorsión automáticamente o mejorar la integración de los efectos especiales en la imagen.

Los modelos Blackmagic Pocket Cinema Camera guardan algunos metadatos de forma automática, por ejemplo la configuración de la cámara, el código de tiempo, la fecha y la hora. Asimismo, es posible utilizar la claqueta virtual para añadir más información.

Claqueta virtual

Al deslizar el dedo hacia la izquierda o la derecha sobre la pantalla táctil, se accede a la claqueta virtual.

Esta se divide en dos pestañas: **CLIPS** y **PROYECTO**. La primera incluye información relativa a cada clip, mientras que la segunda permite introducir datos comunes a varios clips, tales como el nombre del proyecto, el director, el camarógrafo y la identificación de la cámara.

SUGERENCIA: Los metadatos de la claqueta virtual pueden verse en la imagen transmitida mediante la salida HDMI al seleccionar la opción **Director/a** en el ajuste **MOSTRAR TEXTO EN PANTALLA PARA**. Consulte el apartado *Ajustes de monitorización* para obtener más información al respecto.

Metadatos del clip

La modificación de metadatos es distinta en el modo de espera y en el de reproducción. En el primer caso, los metadatos se guardarán con el siguiente clip grabado, a excepción de la opción **TOMA BUENA - ÚLTIMO CLIP**, que indica que la secuencia anterior es buena. En el segundo caso, al revisar el material grabado, se muestra el botón **TOMA BUENA**, y los metadatos se refieren al clip visualizado.



Cuando la cámara está en modo de reproducción, la opción **CLAQUETA VIRTUAL** indica el clip al cual la claqueta hace referencia. En el modo de espera, los datos de la claqueta se aplicarán a la siguiente secuencia que se grabe.

Claqueta virtual

Este campo indica a qué clip corresponden los metadatos que se muestran en la pantalla. En el modo de reproducción, se refieren a la secuencia visualizada, mientras que en el modo de espera pertenecen al siguiente clip que se grabe.

Datos del objetivo

Este campo muestra información del objetivo montado en la cámara. Muchos modelos electrónicos proporcionan estos datos automáticamente, por ejemplo, el modelo, la apertura y la longitud focal. Pulse el ícono del lápiz si el objetivo no es compatible con esta función y desea agregar información adicional. Aparecerá un panel con las opciones ilustradas a continuación:



Panel de configuración de datos del objetivo. El panel tiene una pestaña 'CLIPS' y una pestaña 'PROYECTO'. Muestra los siguientes campos de configuración:

TIPO DE OBJETIVO	IRIS	DISTANCIA FOCAL	DISTANCIA	FILTRO
OLYMPUS M.12-40MM 2.8	f2.8	40mm	685mm	Circular Polariser

En la parte inferior del panel hay dos botones: 'Salir' y 'Restablecer datos'.

Panel con información obtenida automáticamente de un objetivo montado en la cámara y los datos del filtro introducidos de forma manual.

• Tipo de objetivo

Esta opción permite indicar el modelo del objetivo. Si no aparece automáticamente, pulse el ícono del lápiz para modificar este campo. La cámara incluye una base de datos con los nombres de los objetivos más utilizados y los sugiere automáticamente a medida que se escribe. De esta forma, es posible introducir información con mayor rapidez.



Panel de entrada de texto para el tipo de objetivo. Muestra un teclado virtual con las siguientes características:

- Encabezado: 'TIPO DE OBJETIVO' con un ícono de lápiz y un ícono de cerrar (X).
- Texto ingresado: 'OLYMP'.
- Teclado virtual con botones de letras, números y símbolos.
- Botones 'Cancelar' y 'Aceptar' en la parte inferior.

Utilice el teclado virtual para escribir los datos del objetivo.

• Iris

Esta opción muestra la apertura inicial del diafragma, expresada en pasos o números f según el tipo de objetivo. Pulse el ícono del lápiz para modificar esta información.

- **Distancia focal**

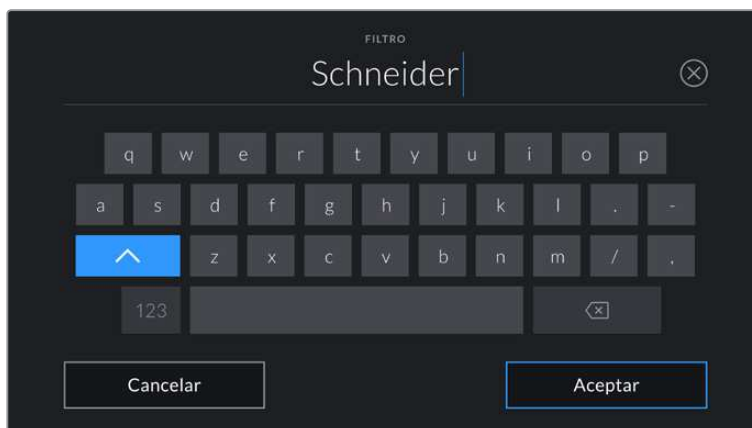
Esta opción muestra la distancia focal inicial del objetivo, expresada en milímetros. Pulse el ícono del lápiz para modificar esta información.

- **Distancia**

Esta opción indica la distancia del objetivo para la secuencia grabada, expresada en milímetros. Pulse el ícono del lápiz para modificar esta información.

- **Filtro**

Esta opción muestra los filtros utilizados. Pulse el ícono del lápiz para modificar esta información. Nótese que es posible agregar varios datos, separados por comas.



Es necesario introducir la información relativa al filtro, ya que no se proporciona automáticamente.

NOTA: Es posible eliminar la información del objetivo en cualquier momento pulsando la opción **Restablecer datos**. Aparecerá un mensaje de confirmación. Al aceptar, se borran todos los datos y se reemplazan con los proporcionados automáticamente por el objetivo montado en la cámara. Si los campos se han modificado, es necesario restablecer la información del objetivo al colocar uno nuevo. De lo contrario, se mantienen los datos introducidos anteriormente.

Rollo

Esta opción indica el número de rollo.

En los modelos Blackmagic Pocket Cinema Camera, este se incrementa de forma automática. Al comenzar un proyecto nuevo, pulse la opción **Restablecer datos** para restablecer dicho valor.

Escena

Esta opción muestra el número de escena, y además puede indicar también el número de toma y su tipo.

Este valor siempre se refiere a la escena visualizada. Para modificarlo, pulse el indicador o utilice las flechas situadas a ambos lados del mismo.

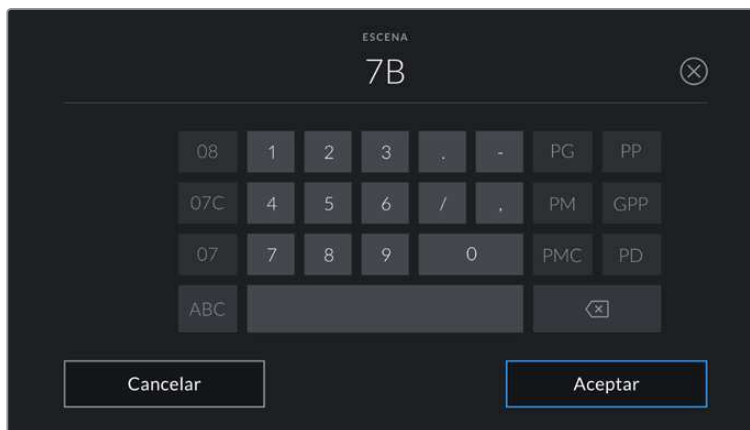
El rango para este parámetro es de 1 a 9999.

Al añadir una letra a dicho número, es posible indicar la toma actual. Por ejemplo, 23A representa la toma 1 de la escena 23. En este caso, la cámara sugerirá el número y la letra siguientes al intentar modificar este valor. Por ejemplo, si el número de escena es 7B, se brindan las opciones 8 y 7C.

Este indicador ofrece además información sobre el tipo de plano en la esquina superior derecha. Las opciones disponibles se encuentran a la derecha del teclado numérico

y son las siguientes:

PG	Plano general
PM	Plano medio
PMC	Plano medio corto
PP	Primer plano
GPP	Gran primer plano
PD	Plano detallado



Al ingresar datos de la escena, la cámara sugiere números a la izquierda del teclado y tipos de plano a la derecha.

Toma

Esta opción muestra el número de toma para la escena actual. Para modificarlo, pulse el indicador o utilice las flechas situadas a ambos lados del mismo.

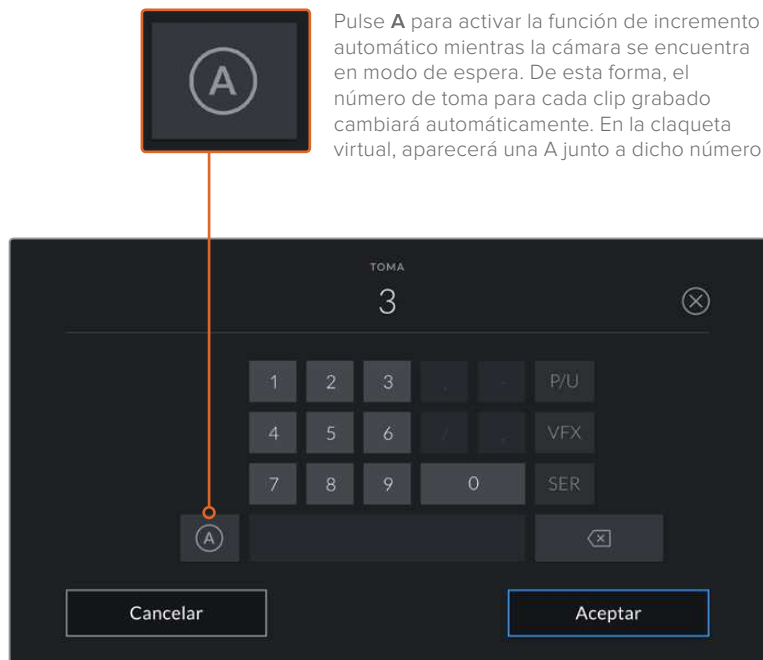
SUGERENCIA: Cuando el número de escena se incrementa, el número de toma regresa automáticamente a 1.

También es posible añadir descripciones a la toma. Las opciones disponibles se encuentran a la derecha del teclado numérico y son las siguientes:

P/U	Retomar: Se refiere a una nueva grabación de una toma previa para añadir material después de haber concluido la fotografía principal.
------------	---

VFX	Efectos visuales: Se refiere a una toma que se utiliza en efectos visuales.
------------	---

SER	Serie: Se refiere a una situación en la que se graban varias tomas mientras la cámara sigue rodando.
------------	--



Al ingresar datos de la toma, la cámara sugiere números a la izquierda del teclado y tipos de toma a la derecha.

Toma buena

Pulse esta opción para identificar tomas buenas, a fin de acceder a ellas con mayor facilidad durante la posproducción. Esta calificación hace referencia al clip visualizado cuando la cámara se encuentra en modo de reproducción. Si la unidad está en modo de espera, se aplicará al siguiente clip que se grabe.

Interior / Exterior

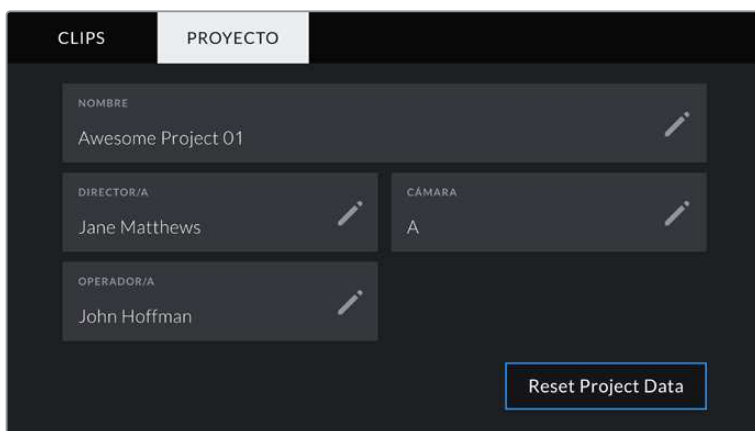
Pulse la opción **INT.** o **EXT.** para indicar si el clip se ha grabado en un estudio o en exteriores.

Día /Noche

Pulse la opción **DÍA** o **NOCHE** para indicar si el clip se ha grabado durante el día o la noche.

Metadatos del proyecto

Los metadatos del proyecto funcionan de la misma manera, tanto en modo de espera como en modo de reproducción. Siempre hacen referencia a todo el proyecto sin importar el número de clips.



The screenshot shows a dark-themed interface with a 'PROYECTO' tab selected. It contains three input fields with pencil icons for editing: 'NOMBRE' (Awesome Project 01), 'DIRECTOR/A' (Jane Matthews), and 'CÁMARA' (A). A 'Reset Project Data' button is located at the bottom right.

Introduzca la información del proyecto desde la pestaña **PROYECTO** dentro de la claqueta.

Nombre del proyecto

La opción **NOMBRE** muestra el nombre del proyecto en curso. Pulse el ícono del lápiz para modificarlo.

Director/a

La opción **DIRECTOR/A** muestra el nombre del director o la directora del proyecto. Pulse el ícono del lápiz para modificarlo.

Cámara

La opción **CÁMARA** muestra una sola letra correspondiente a la cámara. Pulse el ícono del lápiz para modificarla.

Operador/a

La opción **OPERADOR/A** muestra el nombre del camarógrafo o la camarógrafa. Pulse el ícono del lápiz para modificarlo.

Salida de video de la cámara

Salida para supervisar señales HD

La salida HDMI de la cámara transmite señales HD 1080p, de modo que permite conectar monitores o televisores comunes para ver las imágenes grabadas. Además de ofrecer una calidad de 10 bits, admite contenidos con alto rango dinámico (HDR) e información superpuesta, por lo cual resulta ideal para supervisar el material grabado.

La salida HDMI puede ser muy útil, especialmente cuando la cámara se coloca en un lugar que impide ver la pantalla. Para mostrar información superpuesta en las imágenes transmitidas mediante esta salida, acceda a las opciones de monitorización en el menú correspondiente de la cámara. Asimismo, es posible ver las guías de encuadre, los datos de la grabación y la configuración de la unidad. Desactive el interruptor para ocultar esta información y ver una imagen limpia.

Cabe destacar que el uso de un convertor, tal como el modelo Blackmagic Micro Converter HDMI to SDI, permite conectar monitores, dispositivos de captura, mezcladores y otros equipos SDI. Además, el convertor puede alimentarse mediante el puerto USB de la cámara.

DaVinci Resolve

La grabación es solo una parte del proceso para crear contenidos televisivos o cinematográficos. El respaldo y la organización del material capturado, la edición, el etalonaje y la codificación de los archivos finales también son etapas de vital importancia. Los modelos Blackmagic Pocket Cinema Camera incluyen una versión de DaVinci Resolve para equipos Mac y Windows, brindando de este modo una solución integral para el rodaje y la posproducción.



NOTA: Recomendamos utilizar la última versión del programa para lograr un tratamiento cromático preciso del material grabado con la cámara. La versión 16 (o posterior) permite lograr colores precisos y usar el formato Blackmagic RAW.

Después de insertar una tarjeta SD o CFast o una unidad SSD en el equipo informático, es posible emplear la herramienta de clonación que ofrece DaVinci Resolve en el módulo Medios con el propósito de crear respaldos del material grabado. Esto resulta de suma utilidad, ya que los archivos digitales son susceptibles de sufrir daños o presentar fallas. Sin embargo, al contar con copias de seguridad, se previene la pérdida de las imágenes. Una vez finalizado este procedimiento, es posible agregar los clips al panel multimedia del programa para editarlos, etalonarlos y aplicar los retoques finales sin salir de la aplicación.

DaVinci Resolve se utiliza en la mayoría de los grandes éxitos cinematográficos y ofrece mucho más que un simple sistema de edición no lineal, dado que cuenta con tecnología de vanguardia que permite obtener imágenes con una calidad extraordinaria. El usuario puede sacar provecho de esta funcionalidad para editar y etalonar toda clase de proyectos.

A continuación se proporciona información sobre cómo utilizar DaVinci Resolve para procesar los archivos grabados con las cámaras. El programa es revolucionario y contiene muchas más funciones de las que se aprecian en la interfaz a primera vista. Para obtener más información sobre su uso, consulte el manual de instrucciones, disponible en nuestro sitio web, donde también encontrará tutoriales y guías de capacitación.

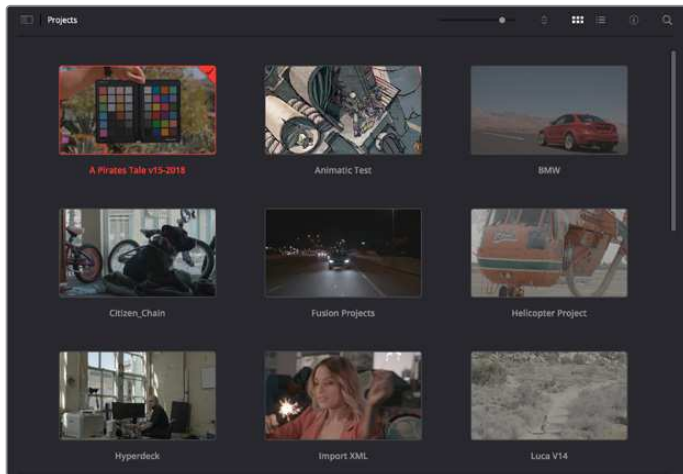
Organizador de proyectos

Antes de importar los clips y comenzar a editar, es necesario configurar el proyecto mediante el organizador de proyectos.

Este aparece inmediatamente al abrir DaVinci Resolve. Sin embargo, se puede acceder a él en cualquier momento haciendo clic en el ícono correspondiente, situado en la esquina inferior derecha de la interfaz, para abrir proyectos o crear otros nuevos.

Para crear un nuevo proyecto, haga clic en la opción **Crear proyecto**, en la parte inferior de la interfaz, y escriba el nombre del mismo. Haga clic en **Crear**.

Con el módulo Montaje, es posible comenzar a editar el proyecto inmediatamente.



El Organizador de proyectos permite ver todos los proyectos del usuario.

Consulte el manual de DaVinci Resolve, disponible en nuestro sitio web, para obtener más información al respecto.

Edición con el módulo Montaje

El módulo Montaje ofrece una dinámica de trabajo ágil que ofrece la oportunidad de editar, cortar y montar clips de manera rápida y eficiente.

Dos líneas de tiempo activas permiten trabajar simultáneamente tanto en toda la edición como en un área en particular. Esto brinda la posibilidad de colocar clips en cualquier lugar en la línea de tiempo y, a continuación, realizar cambios específicos en el mismo espacio de trabajo. Gracias a esta dinámica de trabajo, podrá editar en un equipo informático portátil sin que sea necesario acercar, alejar o mover la línea de tiempo a medida que avanza, lo que supondrá un ahorro de tiempo significativo.

Módulo Montaje

Al abrir el módulo Montaje, se visualizan el panel multimedia, el visor y la línea de tiempo, lo que



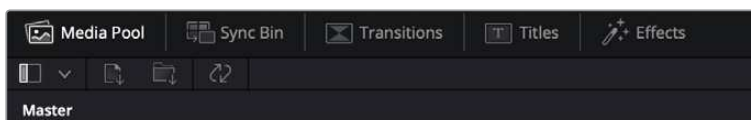
Distribución predeterminada del módulo Montaje, con los archivos del panel multimedia en el modo de vista en miniatura

Consulte el apartado correspondiente en el manual de DaVinci Resolve para obtener más información al respecto.

Organización de archivos multimedia

En la esquina superior izquierda de la interfaz hay cinco pestañas.

Haga clic en ellas para acceder a las herramientas que necesitará a fin de editar. Por ejemplo, la primera pestaña es el **Panel multimedia**. El resto son opciones para sincronizar las bandejas y organizar transiciones, títulos y efectos, respectivamente.



- **Panel multimedia:** Aquí se encuentran todos los clips, las carpetas y los archivos importados mediante el módulo Medios. Asimismo, es posible importar los archivos directamente desde el módulo Montaje, a fin de evitar tener que alternar entre ambos.
- **Bandeja de sincronización:** Esta opción sincroniza automáticamente todos los clips de acuerdo con el código de tiempo, la fecha y la hora, lo que permite seleccionar ángulos de todas las cámaras en un proyecto multicámara.
- **Transiciones:** Esta pestaña permite acceder a todas las transiciones audiovisuales que es posible utilizar en el proceso de edición. Estas incluyen opciones comunes, tales como fundidos encadenados y cortinillas.
- **Títulos:** Esta opción permite seleccionar el tipo de título, por ejemplo, un texto estándar con desplazamiento o situado en el tercio inferior de la imagen. Asimismo, se ofrecen distintas plantillas de efectos Fusion, a fin de emplear títulos animados y dinámicos, que a su vez pueden personalizarse desde el módulo Fusion en DaVinci Resolve.
- **Efectos:** Esta opción brinda acceso a distintos filtros y efectos, con el propósito de añadir dinamismo a la edición, por ejemplo, mediante efectos personalizables de desenfoco o brillo. Es posible escoger entre una gran variedad de efectos extraordinarios, y es muy sencillo encontrarlos gracias a la herramienta de búsqueda.

SUGERENCIA: Utilice la herramienta de búsqueda, situada cerca de los íconos de organización de archivos, a fin de encontrar lo que necesita. Por ejemplo, con la pestaña de transiciones seleccionada, escriba «disolvencia» en la barra para ver únicamente este tipo de transiciones y facilitar su búsqueda.




Modos de vista

En la esquina superior izquierda del visor hay botones para los distintos modos de vista.



Botones para modos de vista

Estos botones permiten seleccionar el modo de vista. Las opciones disponibles son: **Clip original**, **Modo de cinta** y **Línea de tiempo**. Estas ofrecen un control absoluto al elegir clips para editarlos, por lo que recomendamos tomarse un momento para aprender sobre ellas.



	Clip original	Este modo permite ver un solo clip del panel multimedia y marcar puntos de entrada y salida a lo largo de toda la línea de tiempo. Esto ofrece un mayor control. Para seleccionar un clip, basta con hacer doble clic sobre él en el panel multimedia o arrastrarlo al visor.
	Modo de cinta	Esta opción permite ver todos los clips del panel multimedia, por lo que resulta muy útil cuando es preciso buscar rápidamente un evento en particular entre todos los archivos. Al desplazar el cabezal de reproducción sobre los clips, las miniaturas correspondientes se seleccionan automáticamente en el panel multimedia. Es decir, al encontrar el clip que se desea editar, es posible cambiar al modo Clip original para que se muestre en el visor automáticamente. El modo de cinta ofrece las ventajas del proceso de edición no lineal, permitiendo al usuario realizar cambios, encontrar tomas de manera rápida y probar nuevas ideas sin perder el hilo de la historia.
	Línea de tiempo	Esta opción permite ver la línea de tiempo en la que se está editando, lo cual brinda la posibilidad de reproducir el proyecto y optimizar los cambios.

Importar clips al panel multimedia

A continuación, es posible comenzar a importar archivos al proyecto desde el panel multimedia en el módulo Montaje mediante las herramientas situadas en la parte superior de la interfaz.



Seleccione una de las opciones para agregar archivos al proyecto.

	Importar archivos multimedia	Esta opción permite importar archivos individuales desde la ubicación en la que se encuentran almacenados.
	Importar carpetas	Esta opción permite importar carpetas desde la unidad en la que se encuentran almacenadas. Al hacerlo, DaVinci Resolve mantendrá la estructura de los archivos y tratará cada carpeta como una bandeja individual, brindando así la posibilidad de alternar entre ellas para encontrar las imágenes y los archivos deseados.

Para importar archivos:

- 1 Haga clic sobre el ícono para importar archivos o carpetas.
- 2 Acceda a la unidad de almacenamiento en la que se encuentra el material que desea importar.
- 3 Seleccione el archivo o la carpeta y haga clic en **Abrir**.

Una vez añadido el material, es un buen momento para guardar los cambios efectuados en el proyecto. En este sentido, DaVinci Resolve ofrece una opción de guardado automático que se activa después de haber guardado los cambios de forma manual por primera vez. Esto disminuye el riesgo de perder el trabajo realizado.

Consulte el apartado correspondiente en el manual de DaVinci Resolve para obtener más información al respecto.

Agregar clips a la línea de tiempo

Ahora que ya está familiarizado con las opciones de organización de archivos multimedia y los modos de visualización, puede abrir el panel multimedia para comenzar a agregar rápidamente clips a la línea de tiempo.



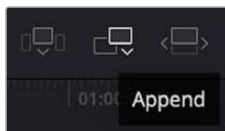
Líneas de tiempo del módulo Montaje

La línea de tiempo es el área de trabajo en la que se pueden agregar clips a distintas pistas, cambiarlos de lugar y recortarlos. Las pistas brindan la posibilidad de colocar los clips en diferentes capas, lo que ofrece una mayor flexibilidad para probar distintos cambios y crear transiciones y efectos. Por ejemplo, es posible editar un clip en una capa sin que los cambios realizados en este afecten a los situados en las capas inferiores.

Existen distintos modos de agregar clips a la línea de tiempo, por ejemplo, mediante las funciones **Inserción inteligente**, **Agregar clips** o **Superponer**.

Agregar clips

Al seleccionar tomas y realizar el montaje, es probable que estas se agreguen a la línea de tiempo sucesivamente. La herramienta **Agregar clips** es ideal para esto, ya que facilita el proceso de edición.



Haga clic en el ícono correspondiente para agregar otros clips al final del último.

Para agregar clips:

- 1 Haga doble clic en cualquier clip del panel multimedia para abrirlo en el visor.
- 2 Con la herramienta de recorte, arrastre los puntos de entrada y salida para seleccionar la duración precisa de la toma. Asimismo, es posible presionar las teclas **I** (entrada) y **O** (salida) para marcar dichos puntos.

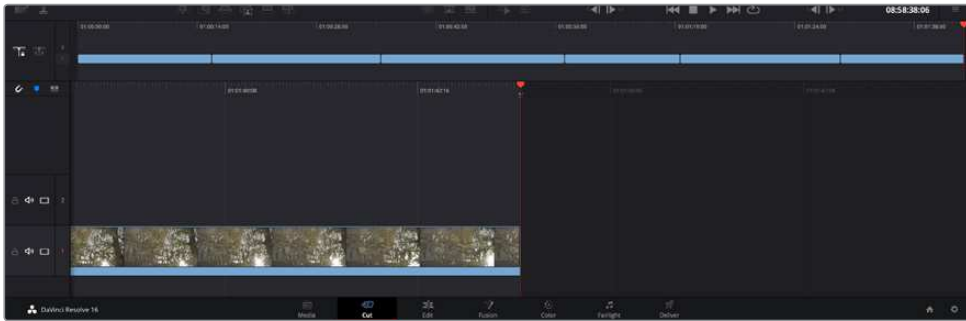


- 3 A continuación, haga clic en el ícono **Agregar clips**, situado debajo del panel multimedia.



El primer clip se situará al principio de la línea de tiempo.

Repita los pasos 1 a 3 para continuar agregando clips automáticamente sin dejar espacios vacíos en la línea de tiempo.



La función **Agregar clips** permite asegurarse de que no hay espacios vacíos en la línea de tiempo.

SUGERENCIA: Cabe la posibilidad de agilizar aún más este proceso asignando una combinación de teclas a la función **Agregar clips**. Por ejemplo, asignarle la letra **P** es ideal para marcar puntos de entrada y salida, y agregar clips mediante el teclado. Consulte el manual de DaVinci Resolve para obtener más información al respecto.

Editar clips en la línea de tiempo

Una vez agregados los clips a la línea de tiempo, es posible cambiarlos de lugar o recortarlos.

Para recortar un clip, sitúe el mouse al principio o final del mismo. Luego, haga clic y arrástrelo hacia la derecha o la izquierda, por ejemplo, para aumentar o disminuir su duración. Notará que, una vez realizado el recorte, los clips en la línea de tiempo se desplazarán según los ajustes llevados a cabo. De esta forma, el módulo Montaje permite ahorrar tiempo.

Incluso es posible seleccionar el clip y moverlo a una nueva pista en la línea de tiempo, sin necesidad de ampliarla o reducirla. Esto ayuda a agilizar el proceso de edición porque no es necesario desplazarse por toda la línea de tiempo.

Después de editar los clips en el módulo Montaje, es posible agregar un título. A continuación se explica cómo hacerlo.

Agregar títulos

Hay distintas posibilidades para agregar un título a la línea de tiempo, todas ellas muy sencillas.

Para ver los distintos tipos de títulos que se pueden emplear, haga clic en la pestaña **Títulos**, situada en la esquina superior izquierda de la interfaz. En la ventana de selección se mostrarán todos los generadores de títulos que se pueden emplear, desde tercios inferiores hasta opciones con movimiento u otras más tradicionales. Incluso es posible agregar títulos en Fusion con efectos animados personalizables.

A continuación se explica cómo hacerlo.

Para añadir un título común:

- 1 Haga clic en la opción **Texto** y arrástrela a la línea de tiempo. No importa a cuál de ellas, aunque se recomienda hacerlo a la línea de tiempo detallada para lograr una mayor precisión. Se creará automáticamente una nueva pista para el título, y el cabezal se desplazará al principio de la misma.
- 2 Suelte el botón del mouse para que el título aparezca en la nueva pista. Ahora es posible cambiarlo de lugar o modificar su duración como si fuera un clip.
- 3 Para editar el título, haga clic en el nuevo clip y, a continuación, en el ícono de herramientas que aparecerá debajo del visor.
Aparecerá una lista de herramientas que se pueden utilizar a fin de modificar el clip, por ejemplo, para transformarlo, recortarlo o usar el zoom dinámico. En esta ocasión, haga clic en **Título**.
- 4 A continuación, abra el inspector.

En el inspector, escriba el título deseado y modifique sus ajustes, por ejemplo, el interletrado, el interlineado, el tipo de fuente o el color.

Se ofrecen una gran variedad de opciones que permiten personalizar cualquier título. Recomendamos probarlas todas, a fin de ver cómo los distintos ajustes cambian su apariencia.

Archivos Blackmagic RAW

Los clips en formato Blackmagic RAW brindan una gran flexibilidad en la etapa de posproducción. Esto brinda la posibilidad de ajustar el balance de blancos y la sensibilidad ISO con posterioridad a la grabación, como si se estuvieran cambiando los valores originales de la cámara. Asimismo, este códec conserva más información sobre las diferentes tonalidades en las luces y sombras, lo cual resulta útil cuando es necesario recuperar detalles, por ejemplo, en un cielo sobrepuesto o en áreas oscuras de la imagen.

Es recomendable grabar en formato Blackmagic RAW si se desea lograr la mejor calidad posible, o en tomas que presentan cambios abruptos entre las luces y las sombras, cuando es necesario ajustar el color de dichas regiones en la mayor medida posible.

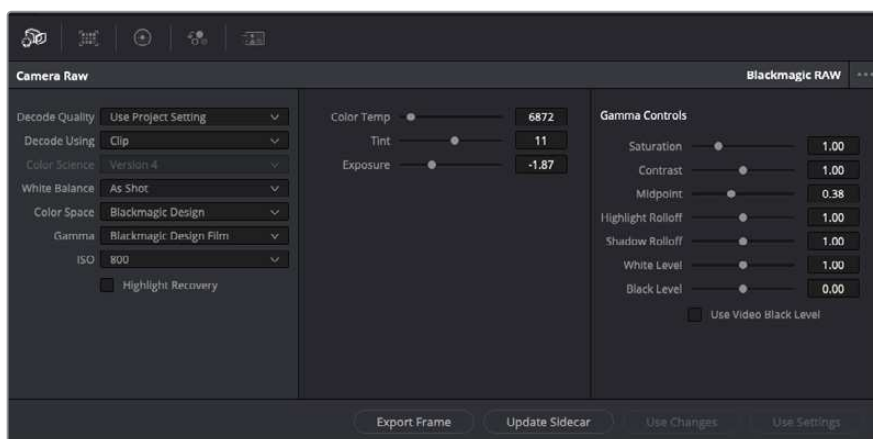
Gracias a la velocidad y el tamaño de los archivos Blackmagic RAW, no es necesario crear otros proxy, y la reproducción se realizará como con un clip de video estándar. Este apartado incluye información acerca de la dinámica de trabajo en DaVinci Resolve con Blackmagic RAW.

SUGERENCIA: Es recomendable modificar los ajustes Blackmagic RAW de los clips en el módulo Color antes de comenzar a etalonarlos.

Ajustes del clip para el formato Blackmagic RAW

Cuando se importan archivos Blackmagic RAW por primera vez, DaVinci Resolve decodifica la información de la cámara incluida en estos utilizando los ajustes para el valor ISO, el balance de blancos y el tinte empleados durante la grabación. Una vez satisfecho con la apariencia, es posible comenzar inmediatamente con la edición.

Una de las grandes ventajas del formato Blackmagic RAW es que no depende de dichos ajustes. Gracias a la variedad de opciones disponibles en esta etapa, con el transcurso del tiempo se puede desarrollar una dinámica de trabajo propia. Al experimentar con los ajustes de los clips, se tiene una idea de lo extraordinario y flexible que resulta este códec.



En el panel **Ajustes RAW**, seleccione la opción **Clip** en el menú desplegable **Modo** para modificar los ajustes de clips Blackmagic RAW.

Una vez que se ha seleccionado la opción de clip en el modo de decodificación para el formato Blackmagic RAW, es posible modificar todos los ajustes que estaban desactivados previamente. Esto permite lograr una apariencia más similar a un etalonaje inicial. Asimismo, es un método particularmente excepcional al combinarlo con el uso de las representaciones gráficas, las cuales ayudan a neutralizar y balancear los clips, a fin de aplicarles una estética determinada.

A continuación, se brinda información sobre el clip y los controles para la curva de respuesta tonal:

ISO

Es posible aumentar o disminuir el valor **ISO** para mejorar el material grabado desde un punto de partida más claro u oscuro.

Recuperación de luces

Marque esta casilla para recuperar los detalles de las luces en los canales con pérdida de información empleando otros completos.

Temperatura del color

Esta opción permite añadir más calidez o frialdad a la imagen para neutralizar su balance cromático.

Tinte

Al ajustar esta opción, se añaden tonos verdes o magentas a la imagen, a fin de lograr un mejor balance cromático.

Exposición

Permite ajustar el brillo general de la imagen.

Saturación

Su valor predeterminado es 1 y se puede ajustar entre -1 y 4.

Contraste

Su valor predeterminado es 1.0. Mueva el control hacia la izquierda para disminuirlo (mínimo 0) o a la derecha para aumentarlo (máximo 2).

Tonos intermedios

En el modo **Film**, el valor predeterminado para los tonos grises intermedios es de 0.38 o 38.4 %. Mueva el control hacia la izquierda para disminuirlo o hacia la derecha para aumentarlo a 100. Una vez ajustado el contraste, es posible modificar la atenuación de las luces y las sombras.

Reducción de luces

Mueva el control hacia la izquierda a fin de disminuir el valor a 0, o hacia la derecha para incrementarlo a 2. El valor predeterminado es 1.

Reducción de sombras

Mueva el control hacia la izquierda a fin de disminuir el valor a 0, o hacia la derecha para incrementarlo a 2.

Nivel de blancos

Ajuste el punto blanco de la curva de respuesta tonal moviendo el control desde el valor más alto (2) hasta el más bajo (0). El valor predeterminado es 1.

Nivel de negros

Eleve el punto negro de la curva de respuesta tonal personalizada moviendo el control hacia la derecha desde el valor más bajo (-1) hasta el máximo (1). El valor predeterminado es 0.

Usar nivel de negro en modo Video

Marque la casilla para ajustar este parámetro.

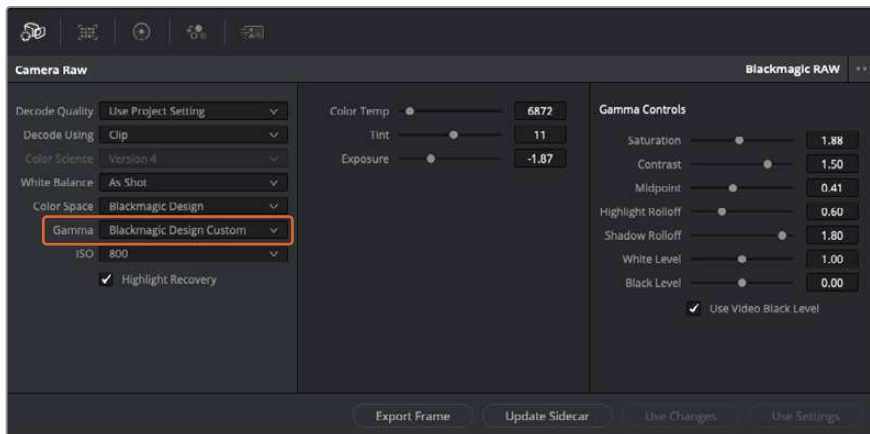
Exportar fotograma

Al seleccionar esta opción, es posible exportar un fotograma de un clip en formato Blackmagic RAW.

Actualizar Sidecar

Haga clic en este botón a fin de actualizar el archivo .sidecar para el clip seleccionado.

Cualquier modificación realizada en los clips Blackmagic RAW se reflejará en los ajustes **Gamma**, cuyo nombre cambiará a **Blackmagic Design Custom**.



Si desea regresar a una de las opciones disponibles por defecto, basta con seleccionarla en el menú desplegable.

SUGERENCIA: Los controles **Gamma** se encuentran desactivados para material grabado en modo **Video**, aunque no se pierden datos del formato Blackmagic RAW. Basta con seleccionar la opción **Blackmagic Design Film** o **Blackmagic Design Extended Video** en el menú desplegable a fin de realizar ajustes.

Guardar cambios en Blackmagic RAW

- 1 Ajuste los controles de los tonos intermedios en el clip Blackmagic RAW.
- 2 Haga clic en el botón **Actualizar .sidecar**.

Se creará un archivo .sidecar en la misma carpeta del archivo .braw. Cuando otro usuario importe el material en formato Blackmagic RAW, DaVinci Resolve reconocerá automáticamente los archivos .sidecar. Si se realizan ajustes adicionales, haga clic en este botón nuevamente.

SUGERENCIA: Para eliminar el archivo .sidecar, basta con borrarlo de la carpeta en la unidad de almacenamiento.

Ajustes del proyecto para el formato Blackmagic RAW

Cuando es preciso cambiar valores que afectan a todos los clips, tal como el balance de blancos o la sensibilidad ISO, es posible configurar el programa para que estos utilicen los ajustes RAW del proyecto y luego realizar las modificaciones necesarias a dichos parámetros.

Para configurar los ajustes Blackmagic RAW del proyecto:

- 1 Abra el menú **Archivo** y seleccione **Configuración del proyecto**.
- 2 En el panel **Ajustes RAW**, hay un menú desplegable junto a la opción **Perfil RAW**. Haga clic en la flecha y seleccione **Blackmagic RAW** en la lista.
- 3 Seleccione la opción **Proyecto** en el menú desplegable **Modo**.
- 4 Seleccione la opción **Personalizado** para el ajuste **Balance de blancos**.
- 5 Seleccione la opción **Blackmagic Design Custom** en el menú desplegable **Gamma**. Seleccione **Blackmagic Design** para el espacio cromático. La opción **Blackmagic Design Film** en el menú **Gamma** se selecciona automáticamente.
- 6 Seleccione la resolución correspondiente en el menú **Decodificación**. Una menor resolución facilitará la reproducción en sistemas con recursos limitados. Asimismo, es posible aumentar este valor nuevamente antes de la entrega para obtener una mejor calidad.

A continuación, se pueden configurar los ajustes de la cámara para los clips, por ejemplo, la saturación, el contraste y los tonos intermedios. Esto afectará a todos los clips del proyecto para los cuales se haya activado la opción **Proyecto** en el menú **Modo**.

Etalonar los clips en el módulo Color

Una vez que los clips se encuentran en la línea de tiempo y se han agregado los títulos, es posible etalonarlos mediante el módulo Color, cuyas herramientas avanzadas permiten definir el estilo general del proyecto. Para este ejemplo, un buen punto de partida es neutralizar los clips a fin de luzcan consistentes. Por otro lado, es posible regresar a los módulos Montaje o Edición en cualquier momento, en caso de que sea necesario hacer cambios.

El módulo Color brinda la posibilidad de ajustar el estilo del material grabado y, de alguna manera, el etalonaje es un arte en sí, puesto que la corrección cromática añade emoción a las imágenes. Es una etapa realmente creativa de la dinámica de trabajo y muy satisfactoria cuando se tienen las habilidades para poder dar vida a los proyectos. Este es normalmente el primer paso y se denomina «correcciones primarias» o «ajustes primarios». Una vez hecho esto, es el turno de las correcciones secundarias, mediante las que se pueden realizar ajustes extremadamente precisos de objetos específicos en las imágenes. Esta parte es muy divertida, y la razón por la que en general se realiza en un segundo paso es porque de este modo el proceso es más eficiente, obteniendo así mejores resultados.

Para comenzar, haga clic en el módulo Color a fin de acceder a las opciones de etalonaje.

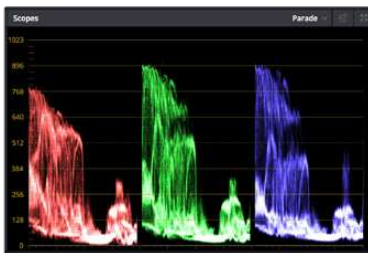
Podrá ver los ajustes RAW de la cámara, los círculos cromáticos, el panel de curvas y las herramientas para correcciones generales, así como los paneles de nodos y vista previa. No se sienta abrumado por la enorme cantidad de funciones que aparecen en la interfaz. Estas han sido diseñadas para ayudarle a lograr que las imágenes tengan una apariencia extraordinaria. Esta sección introductoria brinda información básica, pero para obtener pasos más detallados, consulte los apartados correspondientes. El manual de DaVinci Resolve incluye una descripción de las

distintas herramientas y muestra cómo utilizarlas de manera sencilla. Aprenderá las mismas técnicas que los profesionales emplean en los mejores estudios de posproducción.

En general, el primer paso en una corrección primaria es optimizar los niveles de las sombras, los tonos intermedios y las zonas luminosas en los clips. Esto se logra ajustando los parámetros **Lift**, **Gamma** y **Gain**. De este modo, se obtienen imágenes excepcionalmente nítidas y balanceadas que sirven como punto de partida para comenzar a crear la apariencia de la película. Asimismo, resulta muy útil guiarse por las representaciones gráficas.

Representaciones gráficas

La mayoría de los coloristas toman decisiones creativas sobre el color con base en la apariencia y la carga emotiva que desean transmitir, y luego emplean un monitor para lograr el resultado deseado. Observar objetos de uso cotidiano y analizar la interacción entre diferentes tipos de luz puede servir de inspiración para sacarle mayor provecho a las imágenes.



La gráfica de componentes cromáticos permite ajustar con precisión las luces, los tonos intermedios y las sombras.

De manera alternativa, es posible recurrir a las representaciones gráficas que ofrece DaVinci Resolve para etalonar el material grabado. Para acceder a las mismas, haga clic en el penúltimo botón de la barra de herramientas del panel. Es posible seleccionar entre cuatro tipos de representaciones: forma de onda, gráfica de componentes cromáticos, vectorscopio o histograma. Estos indicadores permiten monitorizar el balance tonal y comprobar los niveles de contraste para evitar oscurecer demasiado las sombras o perder detalles en las zonas más claras de la imagen. Asimismo, brindan la posibilidad de detectar cualquier dominante cromática.

En forma predeterminada, el panel de círculos cromáticos muestra los controles **Lift**, **Gamma** y **Gain** como barras. Estos generalmente se emplean en las correcciones primarias y se asemejan a los controles que ofrecen otras aplicaciones para realizar ajustes cromáticos y de contraste.



Los círculos cromáticos permiten controlar con precisión el balance de colores y los tonos en los distintos clips. Para ajustar cada área tonal en forma similar, deslice el dial situado debajo de los círculos cromáticos hacia la izquierda o la derecha.

A fin de lograr un control más preciso de cada color al utilizar el mouse, es posible reemplazar los círculos cromáticos por barras que permiten realizar ajustes en cada canal independientemente para

las luces, los tonos intermedios y las sombras. Para ello, basta con seleccionar la opción **Barras de ajustes primarios** en el menú desplegable que aparece cerca de la esquina superior derecha del panel.

- **Ajuste de sombras** Una vez seleccionado un clip en la línea de tiempo, haga clic en el dial situado debajo del primer círculo cromático. Muévalo hacia la derecha o la izquierda y preste atención a los cambios en la imagen. Podrá observar cómo aumenta y disminuye el brillo en las zonas oscuras.
Ajuste este parámetro según el tono que mejor se adapte a los requerimientos del proyecto. Si disminuye demasiado este valor, perderá detalles en las sombras. En cualquier caso, puede utilizar la gráfica de componentes cromáticos para evitar este inconveniente. La posición ideal para las sombras en la representación de la señal es justo por encima de la línea inferior de dicha gráfica.
- **Ajuste de luces** Haga clic en el dial situado debajo del segundo círculo cromático y muévalo hacia la izquierda o la derecha. Esto permite ajustar las zonas más claras de la imagen que se muestran en la parte superior de la gráfica de componentes cromáticos. Para lograr un mayor brillo, las luces deben situarse justo por debajo de la línea superior de la gráfica. Si superan este límite, se perderán detalles.
- **Ajuste de tonos intermedios** Haga clic en el dial situado debajo del tercer círculo cromático y muévalo hacia la izquierda o la derecha. A medida que aumenta la intensidad, notará que el brillo de la imagen se incrementa. Asimismo, podrá ver que la parte central de la onda cambia al realizar los ajustes. Esta franja representa los tonos intermedios del clip y su posición óptima generalmente se encuentra entre el 50 y 70 % en la representación gráfica correspondiente a la onda de la señal. No obstante, este valor puede ser subjetivo según la apariencia deseada y las condiciones de iluminación al grabar el clip.

El panel de curvas también permite realizar correcciones primarias. Basta con hacer clic en los puntos de control de las líneas diagonales en las gráficas y moverlos hacia arriba o abajo para modificar el contraste general de los canales cromáticos en diferentes áreas tonales de la imagen. Es importante ajustar los puntos situados en el tercio superior, medio e inferior de la curva.

Consulte el manual de DaVinci Resolve para obtener más información al respecto.



El panel **Curvas** permite realizar correcciones primarias o realizar áreas específicas de la imagen mediante Power Windows.

Correcciones secundarias

Para modificar una parte específica de una imagen, es preciso aplicar correcciones secundarias. Los ajustes realizados hasta el momento mediante los círculos cromáticos y sus respectivos controles afectan a la totalidad de la imagen y se denominan correcciones primarias.

Sin embargo, las correcciones secundarias son ideales para llevar a cabo cambios en zonas específicas, por ejemplo, a fin de realzar el color del césped o del cielo en una escena. Estas brindan la posibilidad de seleccionar una parte de la imagen y modificarla sin afectar al resto. A su vez, la estructura nodal facilita el agrupamiento de varias correcciones con el objetivo de continuar ajustando zonas específicas hasta lograr el resultado deseado. Incluso es posible emplear tanto Power Windows como la función de seguimiento para aplicar cambios a objetos en movimiento.

Ajuste de colores específicos

Con frecuencia, es preciso realzar un elemento en particular dentro de la imagen, por ejemplo, el césped al borde de una carretera o el color azul del cielo, o podría ser necesario modificar la tonalidad de un objeto específico para captar la atención del espectador. La herramienta **Colores específicos** permite cumplir con este cometido de manera sencilla.



La herramienta **Colores específicos** facilita el realce de ciertas zonas de la imagen y permite intensificar el contraste o dirigir la atención del espectador hacia determinados elementos.

Para ajustar un color específico:

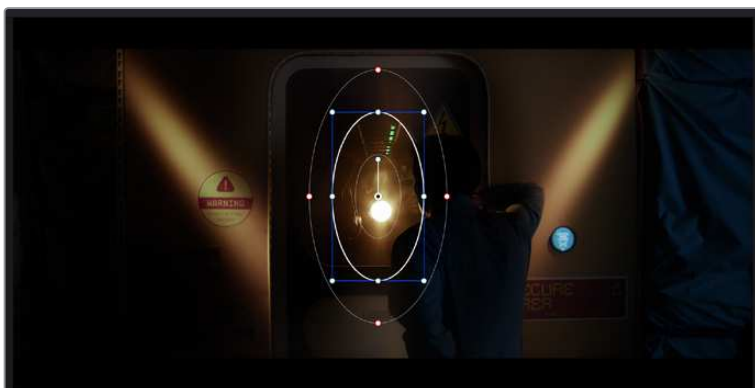
- 1 Añada un nodo en serie.
- 2 Abra el panel **Colores específicos** y compruebe que el selector esté activado.
- 3 Haga clic sobre el color que desea modificar.
- 4 Por lo general, deberá realizar algunos ajustes para atenuar los bordes del área seleccionada y limitarla únicamente al color deseado. Haga clic en la opción **Destacar** situada arriba del visor para ver la sección demarcada.
- 5 Mueva el control **Ancho** de los matices para ampliar o reducir el área seleccionada.

Ajuste los controles **Mínimo**, **Máximo** y **Atenuar** para ver las distintas maneras en las que es posible mejorar el área seleccionada. A continuación, es posible modificar el color elegido mediante los círculos cromáticos o el panel de curvas.

En algunos casos, los cambios podrían extenderse a ciertas zonas de la imagen que no se desean afectar. Para solucionar este inconveniente, se crea una Power Window a fin de aislar dichas partes. Basta con indicar sus dimensiones de manera que solo incluya el área cromática requerida. Si la región seleccionada se mueve en la imagen, es posible utilizar la función de seguimiento del programa para que los cambios se mantengan sin importar su posición.

Creación de Power Windows

Esta es una herramienta de etalonaje sumamente útil que permite aislar zonas específicas de la imagen. Dichas regiones pueden ser móviles o estáticas, ya que también es posible seguir el movimiento de la cámara y los objetos.



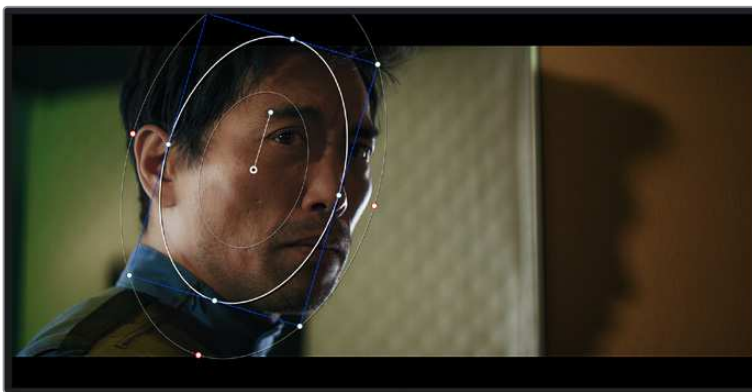
Utilice Power Windows para aislar las áreas de la imagen que no deben verse afectadas por los ajustes secundarios realizados mediante la función **Colores específicos (HSL)**

Por ejemplo, es posible trazar un contorno alrededor de una persona para realizar cambios en el color y el contraste solamente en dicha parte de la imagen, sin afectar las zonas adyacentes. Este tipo de ajustes pueden servir para dirigir la atención del espectador hacia regiones específicas.

Para agregar una Power Window:

- 1 Añada un nodo en serie.
- 2 Abra el panel **Power Windows** y seleccione una de las formas disponibles. Esta se verá en el nodo.
- 3 Para ajustar el tamaño, haga clic sobre los puntos azules y arrástrelos según sea necesario. Los puntos rojos permiten atenuar los bordes. Para ajustar la posición de la ventana, haga clic en el punto central y muévala hacia la parte de la imagen que desea aislar. También es posible girarla mediante el punto unido al centro.

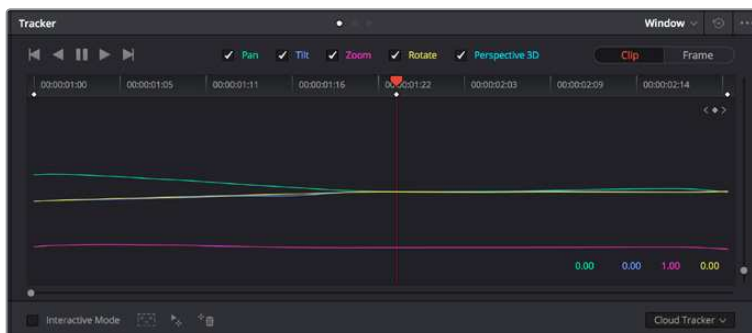
Ahora puede ajustar el color únicamente en el área seleccionada.



La herramienta Power Windows permite llevar a cabo correcciones secundarias en partes específicas de una imagen.

Seguimiento de Power Windows

Es posible que la cámara, el objeto o el área seleccionada dentro de una imagen esté en movimiento. Por consiguiente, es preciso utilizar la función de seguimiento que ofrece DaVinci Resolve para garantizar que la viñeta permanezca vinculada al elemento delimitado. Esta herramienta analiza la inclinación y el desplazamiento horizontal o vertical de la cámara o del objeto en la imagen para sincronizar la viñeta con el movimiento. Si no se activa esta función, cabe la posibilidad de que las correcciones realizadas se separen del elemento al que se aplicaron, distrayendo al espectador.



Es posible seguir ciertos objetos o partes de la imagen para las correcciones realizadas permanezcan vinculadas a estos.

Para realizar el seguimiento de una Power Window:

- 1 Añada un nodo en serie y luego, una Power Window.
- 2 Al comienzo del clip, ajuste la posición y el tamaño de la viñeta para destacar únicamente el objeto deseado o una zona particular de la imagen.
- 3 Abra el panel **Seguimiento**. Marque las casillas **Eje X**, **Eje Y**, **Zoom**, **Rotación** o **3D** según el patrón de movimiento.
- 4 Haga clic en la flecha de avance situada a la izquierda de las casillas de verificación. A continuación, aparecerán una serie de puntos en la imagen, y el programa reproducirá los fotogramas restantes para analizar el movimiento. Una vez configurada esta función, la viñeta seguirá la trayectoria del movimiento.

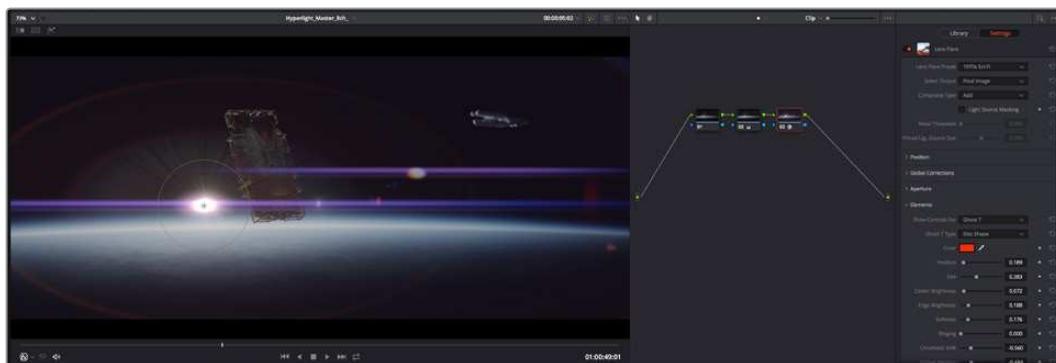
En la mayoría de los casos, el seguimiento automático ofrece buenos resultados. Sin embargo, en escenas complejas, es posible que algún objeto se atraviese en el área seleccionada e interrumpa o afecte su funcionamiento. Este inconveniente puede resolverse mediante el editor de fotogramas clave. Consulte el manual de DaVinci Resolve para obtener más información al respecto.

Complementos

Al realizar correcciones secundarias, también es posible agregar complementos OpenFX o ResolveFX para crear apariencias interesantes en el módulo Color o efectos y transiciones innovadoras en el módulo Edición. Los complementos ResolveFX están integrados en el programa, mientras que los complementos OpenFX pueden adquirirse o descargarse a través de distribuidores externos.

Una vez instalado un conjunto de complementos, es posible acceder a ellos desde el módulo Color, abriendo el panel **OpenFX** a la derecha del editor de nodos. Basta con crear un nodo en serie y luego arrastrar el complemento hacia el mismo. Modifique los parámetros en el panel adyacente si el complemento brinda esta posibilidad.

En el módulo Edición, es posible agregar transiciones, filtros y generadores de complementos a los clips abriendo el panel **OpenFX** en la biblioteca de efectos y arrastrando el elemento seleccionado al clip en la línea de tiempo, según los requisitos del complemento.



Los complementos OFX son una herramienta rápida y sencilla para crear apariencias interesantes e innovadoras.

Mezcla de audio

Mezcla de audio en el módulo Edición

Una vez editado y etalonado el proyecto, es posible comenzar a mezclar el sonido. En este sentido, DaVinci Resolve cuenta con un excelente conjunto de funciones para editar, mezclar y masterizar el audio de un proyecto directamente desde el módulo Edición. Conviene subrayar que el módulo Fairlight ofrece un entorno completo de posproducción de audio para proyectos que requieren herramientas más avanzadas. Consulte el siguiente apartado si ya está familiarizado con el módulo Edición y desea saber más sobre dichas prestaciones.

Agregar pistas de audio

Desde el módulo Edición, es posible agregar fácilmente pistas de audio para crear una mezcla compleja con música y efectos sonoros. Esto puede resultar útil cuando es necesario separar los elementos del audio en pistas individuales para crear una mezcla de sonido, por ejemplo, voz, efectos sonoros y música.

Para añadir una pista de audio en el módulo Edición

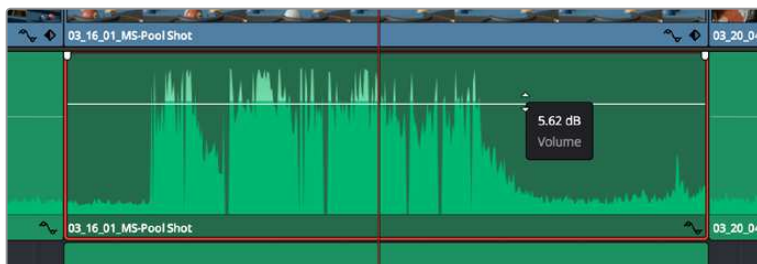
Haga clic con el botón derecho junto al nombre de cualquier pista de audio en la línea de tiempo, seleccione **Agregar pista** y elija una de las opciones disponibles. De esta forma, se añadirá una pista al final de la lista. Asimismo, es posible agregar pistas en un punto específico. Para ello, elija la opción **Agregar pista** y seleccione el lugar deseado.

La nueva pista de audio aparecerá en la línea de tiempo.

SUGERENCIA: Para cambiar el tipo de pista una vez creada, haga clic con el botón derecho junto a su nombre, seleccione **Cambiar tipo de pista** y elija una de las opciones disponibles, por ejemplo, estéreo, mono o 5.1.

Ajuste del volumen en la línea de tiempo

Cada clip de audio en la línea de tiempo incluye un control de volumen superpuesto que permite ajustar su intensidad arrastrando el puntero hacia arriba o abajo. Este corresponde al parámetro **Volumen** del inspector.

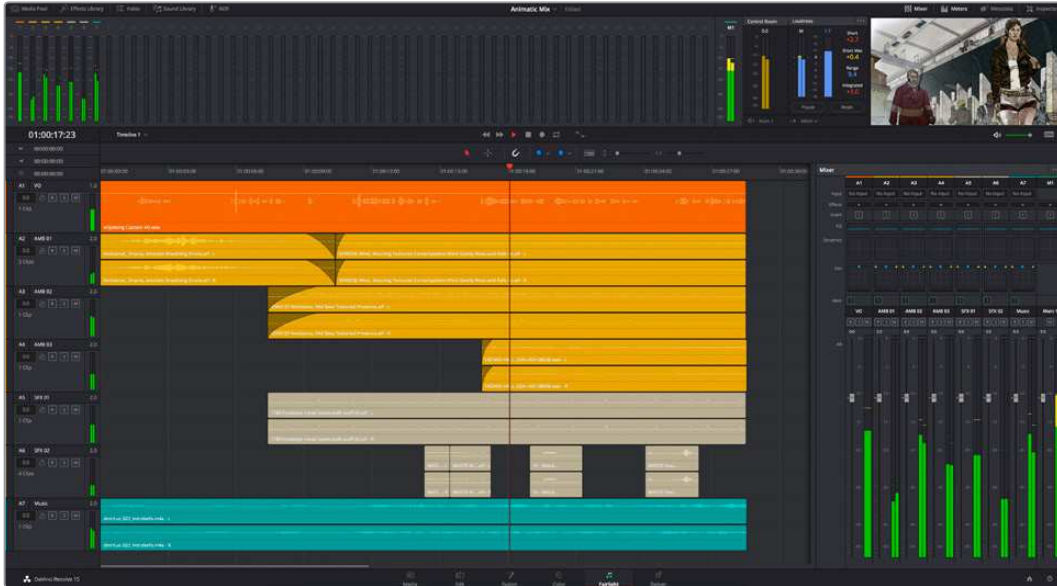


Arrastre el control para ajustar el volumen del clip.

Conviene subrayar que el módulo Fairlight ofrece un entorno completo de posproducción de audio para proyectos que requieren herramientas más avanzadas.

El módulo Fairlight

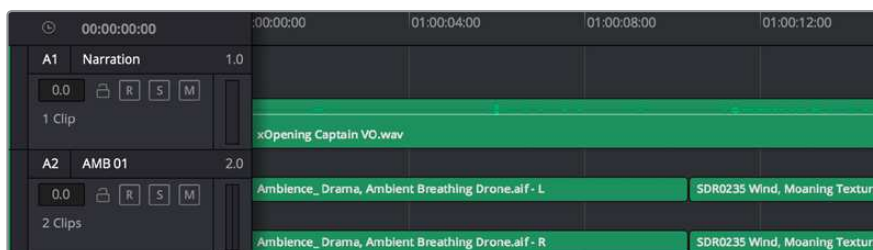
Este módulo de DaVinci Resolve brinda la posibilidad de ajustar el audio. En una sola pantalla, ofrece una vista optimizada de las pistas de audio y los controles de monitorización personalizados que permiten evaluar y ajustar la intensidad del audio con el objetivo de crear una mezcla armoniosa. No se sienta abrumado por la enorme cantidad de funciones que aparecen en la interfaz. Estas han sido diseñadas para ayudarle a lograr que la calidad del audio sea extraordinaria.



Esta guía solo proporciona un resumen básico de las funciones. Consulte el manual de DaVinci Resolve para obtener más información al respecto, ya que es más específico y proporciona detalles sobre cada una de ellas. Además, describe cómo hacer uso de estas herramientas en simples pasos.

Línea de tiempo del audio

- **Encabezado de la pista** En la parte izquierda de cada pista hay un encabezado que muestra su número, nombre y color, así como los canales de audio y los valores para el atenuador y los vúmetros. Además, presenta distintos controles para bloquear y desbloquear pistas, aislarlas o silenciarlas. Estos facilitan la organización de las pistas y su visualización individual.
- **Pistas** En el módulo Fairlight, cada pista está dividida en bandas para cada canal individual que permiten editarlos y mezclarlos. Por el contrario, en el módulo Edición se muestra un solo clip en la línea de tiempo. Esto brinda la posibilidad de editar archivos de audio con múltiples canales de manera más fácil, sin tener que gestionar una gran cantidad de pistas.



En el encabezado de la pista A1, se puede apreciar que es monoaural, mientras que las dos bandas de la pista A2 indican que es estereofónica.

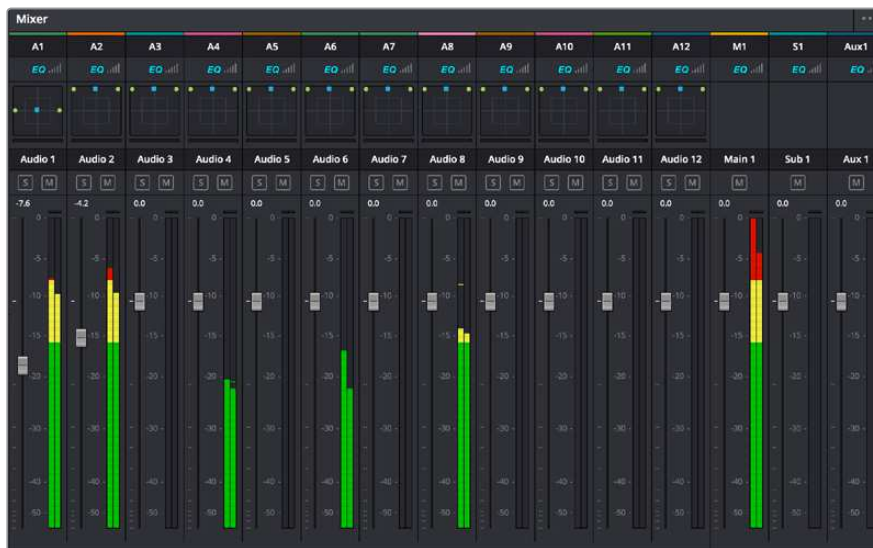
¿Qué es un bus?

Básicamente, un bus es un canal al que se pueden asignar diversas pistas de audio desde la línea de tiempo, con el objetivo de mezclarlas en una sola señal y controlarlas de forma colectiva.

- **Bus maestro** Cada proyecto nuevo incluye un bus principal que constituye la salida primaria y al cual se asignan todas las pistas de audio en forma predeterminada. Este las combina en una sola señal, a fin de poder modificar el volumen general de la mezcla luego de ajustar cada pista individualmente.
- **Submezcla** Los buses secundarios permiten combinar varias pistas de una misma categoría, por ejemplo, diálogo, música o efectos, con el objetivo de obtener una sola señal. A modo ilustrativo, si tenemos cinco pistas de diálogo, es posible asignarlas a un mismo bus para ajustar el volumen general de la voz mediante un solo conjunto de controles. Esta mezcla puede renderizarse individualmente o añadirse al bus maestro.

Herramientas de mezcla

Cada una de las pistas en la línea de tiempo corresponden a un canal individual en la interfaz del programa. Por defecto, en la parte derecha aparece un solo canal, denominado M1, que representa el bus maestro. Asimismo, se muestran canales adicionales con diversos mandos para cada uno de los buses creados. Los controles gráficos permiten asignar pistas a los canales de salida y ajustar el ecualizador, la dinámica o el volumen, así como grabar procesos automáticos, distribuir el sonido envolvente o aislar y silenciar pistas.



Interfaz para la mezcla de audio con los canales correspondientes a las pistas en la línea de tiempo

Uso del ecualizador para mejorar el audio

Una vez modificada la intensidad del volumen en los clips del proyecto, es posible que aún sea necesario realizar ajustes más sutiles. Por ejemplo, el diálogo, la música y los efectos podrían tener la misma frecuencia dentro del espectro sonoro, provocando que el audio resulte ruidoso y poco claro. En estos casos, el ecualizador será de gran ayuda, dado que permite determinar qué partes del espectro ocupa cada pista. Por otra parte, brinda la posibilidad de eliminar elementos no deseados aislando o reduciendo el volumen en ciertas frecuencias que contienen murmullos, zumbidos o ruidos de fondo, o simplemente mejorar la calidad general del audio para que resulte más agradable al oído.

DaVinci Resolve ofrece filtros de ecualización que pueden aplicarse a cada clip individualmente o a todas las pistas. Para cada clip, hay un ecualizador de cuatro bandas en el inspector, mientras que para las pistas se brinda un ecualizador paramétrico de seis bandas. Los controles gráficos y numéricos para aumentar o disminuir diferentes rangos de frecuencias y los distintos tipos de filtros permiten definir la forma de la curva de ecualización.



El ecualizador de cuatro bandas puede aplicarse a cualquier clip en la línea de tiempo.

Por su parte, las bandas externas permiten realizar ajustes para el realce de graves o agudos y utilizar filtros de paso alto o bajo. Un filtro de paso afecta a todas las frecuencias superiores o inferiores a una frecuencia determinada, eliminándolas por completo de la señal. Por ejemplo, un filtro de paso alto elimina las frecuencias bajas y mantiene las altas. Cualquier sonido por debajo de la frecuencia de corte se atenuará de forma gradual.

Un filtro de realce es menos drástico y permite modificar el rango superior o inferior de la señal en general sin eliminar por completo dichas frecuencias. Este aumenta o disminuye la frecuencia de corte, así como aquellas superiores o inferiores, de manera uniforme, según el tipo de filtro empleado.

Los controles intermedios brindan la posibilidad de realizar una amplia variedad de ajustes en la ecualización y ofrecen diversos tipos de filtros.

- **Filtros resonantes** Estos filtros realzan o eliminan las frecuencias alrededor de un punto central de una curva de ecualización en forma de campana.
- **Filtros de rechazo** Estos filtros afectan a un rango de frecuencias muy específico, por lo que resultan muy útiles, por ejemplo, para eliminar el zumbido provocado por la red de suministro eléctrico a 50 o 60 Hz.
- **Filtros de realce de graves** Estos filtros realzan o atenúan todas las frecuencias inferiores a la frecuencia de corte.
- **Filtros de realce de agudos** Estos filtros realzan o atenúan todas las frecuencias superiores a la frecuencia de corte.

Para añadir un ecualizador a un clip:

- 1 Seleccione el clip en la línea de tiempo.
- 2 Haga clic en el inspector y luego en el botón **Ecualizador de clip**.

Para añadir un ecualizador a una pista:

- 1 Haga doble clic sobre el área de ecualización de una de las pistas para abrir el ecualizador respectivo.
- 2 Seleccione el filtro en el menú desplegable para la banda que desea ajustar.



El panel indica que el ecualizador se ha aplicado a la pista 1.



Ecualizador paramétrico de 6 bandas que puede aplicarse a cada pista

Una vez añadidos los ecualizadores, es posible ajustar cada banda. Nótese que los controles varían según el filtro escogido.

Para ajustar el ecualizador de un filtro de banda:

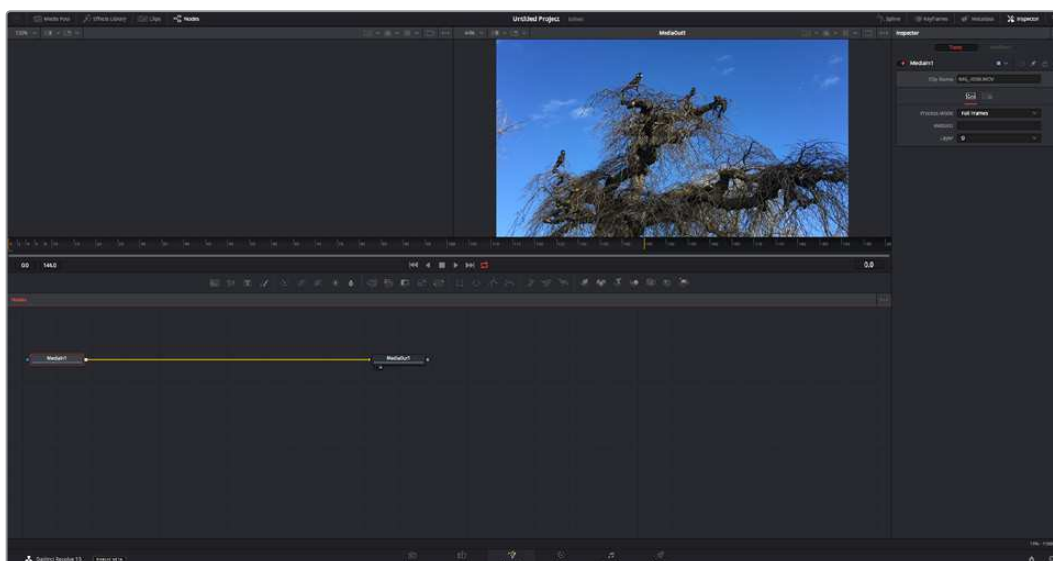
- 1 Seleccione el filtro en el menú desplegable para la banda que desea ajustar.
- 2 Ajuste la frecuencia para determinar el punto correspondiente en la curva de ecualización.
- 3 Ajuste la ganancia para realzar o atenuar las frecuencias que predominan en dicha banda.
- 4 Ajuste el factor Q para modificar el intervalo de las frecuencias afectadas.

El botón para restablecer ajustes permite restaurar los valores predeterminados.

El módulo Fairlight cuenta con una gran variedad de controles que brindan la posibilidad de mejorar la calidad de cada pista. Asimismo, permite añadir otras adicionales, organizar buses, agregar efectos y optimizar el audio en general.

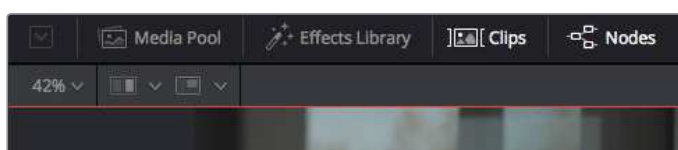
Agregar efectos visuales (VFX) y composiciones desde el módulo Fusion

Una vez finalizada la edición, es posible acceder al módulo Fusion de DaVinci Resolve para añadir efectos visuales y animaciones gráficas. A diferencia de otros programas de composición digital que utilizan capas, Fusion ofrece una dinámica de trabajo basada en nodos, lo cual brinda una mayor flexibilidad para crear efectos complejos y modificar los datos de la imagen. A su vez, dicha estructura nodal muestra claramente las herramientas empleadas durante el proceso y funciona de manera similar a la del módulo Color.

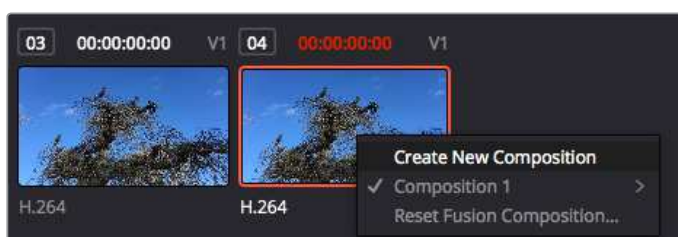


El módulo Fusion

Este módulo incluye dos visores en la parte superior con controles de reproducción que permiten ver contenidos. A la derecha, se encuentra el inspector, con diversas herramientas, y en la parte inferior, el editor de nodos, donde se crean las composiciones. Aunque los visores y los controles de reproducción permanecen siempre visibles, los íconos de la barra de herramientas en la parte superior de la interfaz brindan la posibilidad de ocultar el inspector y el editor de nodos o acceder a la biblioteca de efectos y el editor de fotogramas clave.



- **Panel multimedia** Funciona de la misma manera que en el módulo Edición. Basta con arrastrar los archivos directamente de las carpetas a la composición.
- **Biblioteca de efectos** Aquí es donde se encuentran las distintas plantillas y herramientas organizadas por categorías, incluidos filtros, generadores de partículas y funciones de seguimiento. Haga clic en cualquiera de ellas o arrástrela a la estructura nodal para añadirla a la composición. Cabe mencionar que el panel multimedia y la biblioteca de efectos ocupan el mismo espacio de la interfaz, de manera que es posible alternar entre ambos para maximizar el tamaño de los visores.
- **Clips** Al hacer clic en esta pestaña, se muestra una serie de miniaturas que corresponden a los clips en la línea de tiempo. Estas se encuentran debajo del editor de nodos y permiten acceder inmediatamente a cualquier secuencia.



Para crear una nueva versión de la composición, haga clic con el botón derecho en una miniatura y seleccione la opción **Crear composición**.

- **Visores** Los visores permanecen siempre visibles y muestran los distintos modos de la composición, por ejemplo, una perspectiva general en 3D, la señal de la cámara o la renderización final. Asimismo, brindan la posibilidad de ver la forma en que los cambios realizados afectan a un elemento específico.

Es posible elegir el nodo que se desea ver haciendo clic sobre este y presionando 1 para el visor izquierdo o 2 para el derecho. Aparecerá un botón con un punto blanco debajo del nodo que indica el visor asignado. También es posible asignar un monitor externo.

SUGERENCIA: También es posible asignar un nodo a un visor arrastrándolo al mismo.

Los controles de reproducción situados debajo de los visores permiten ir al principio o el final de una secuencia, reproducirla o detener la reproducción. La escala de tiempo muestra el intervalo de un clip, con marcas amarillas que representan los puntos de entrada y salida.



Las marcas amarillas en la escala de tiempo representan los puntos de entrada y salida en un clip. Al emplear un clip Fusion o compuesto, la escala solo muestra su duración como en la línea de tiempo, sin tener en cuenta los márgenes de edición.

- **Nodos** El editor de nodos es el elemento principal del módulo Fusion, ya que permite conectarlos entre sí para crear la estructura nodal. Su tamaño depende de los editores abiertos, por ejemplo, el de curvas paramétricas o el de fotogramas clave. A su vez, la barra de herramientas en la parte superior ofrece un rápido acceso a las funciones más utilizadas.
- **Curvas paramétricas** El editor de curvas paramétricas se abre a la derecha del editor de nodos y permite realizar ajustes con mayor precisión, por ejemplo, atenuar una animación entre dos fotogramas clave mediante una curva de Bézier.
- **Fotogramas clave** Este editor permite añadir, eliminar o modificar fotogramas clave en cada herramienta y se encuentra a la derecha del editor de nodos.
- **Metadatos** El panel de metadatos muestra información del clip seleccionado, incluidos el códec, la frecuencia de imagen y el código de tiempo.
- **Inspector** Este panel se encuentra en la esquina superior derecha de la interfaz e incluye todos los ajustes disponibles para los nodos seleccionados. Cada pestaña ofrece un rápido acceso a parámetros adicionales ordenados por categorías.

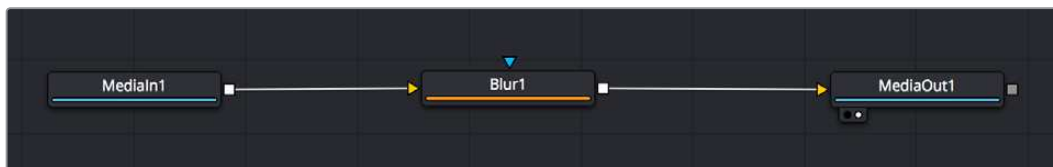


El nodo de texto brinda ajustes adicionales en el inspector.

Primeros pasos en Fusion

Para comenzar, simplemente sitúe el cabezal de reproducción sobre cualquier clip en la línea de tiempo y haga clic en el módulo Fusion.

Dicho clip aparecerá representado por un nodo denominado *MediaIn*. Cada una de las composiciones comenzará con este nodo y finalizará con otro llamado *MediaOut*. El primero representa el clip ubicado en la posición del cabezal sobre la pista superior de la línea de tiempo, sin considerar los que haya debajo. Además, incluye los ajustes realizados al mismo en el módulo Edición.



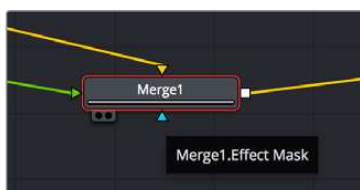
El contenido del nodo *MediaOut* se transfiere a la línea de tiempo del módulo Edición.

SUGERENCIA: En el módulo Fusion no se muestran los complementos OpenFX o ResolveFX aplicados a los clips en el módulo Edición. Esto se debe a que los efectos visuales se crean antes del etalonaje y el procesamiento posterior del material. Para que los complementos OpenFX se apliquen de manera previa a los efectos, haga clic con el botón derecho en el módulo Edición y seleccione **Crear clip Fusion** antes de acceder al módulo Fusion.

¿Cómo funcionan los nodos?

Puede resultar útil pensar en los nodos como íconos que representan una herramienta o efecto determinado. Estos se conectan entre sí para crear la composición general, al igual que los ingredientes de una receta. Asimismo, es importante entender el funcionamiento de la entrada y la salida de cada nodo, a fin de facilitar la dinámica de la composición al generar efectos visuales detallados.

Algunos nodos cuentan con múltiples entradas y salidas que pueden conectarse a otros. Por ejemplo, el nodo de combinación incluye una entrada para la imagen en primer plano, otra para el fondo y una tercera para máscaras.



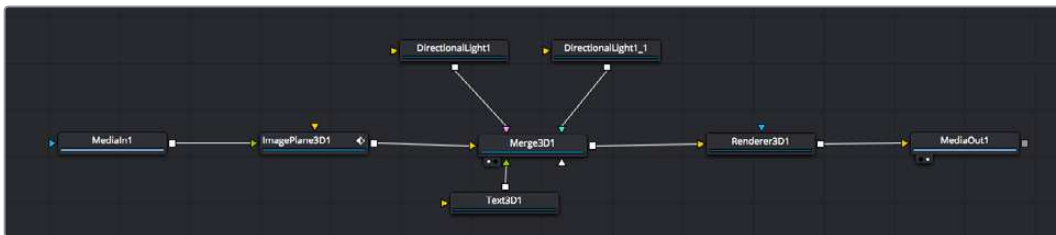
- ▶ Entrada para la imagen en primer plano
- ▶ Entrada para el fondo
- ▶ Entrada para máscaras
- ◻ Salida

Un nodo con múltiples salidas brinda la posibilidad de conectarlo a varios nodos, de manera que no hay necesidad de duplicar clips como en los programas de composición digital basados en capas. Las flechas en las líneas que conectan los nodos son un indicador visual muy útil con respecto a la dirección del flujo de datos.

Agregar nodos al editor

Agregar efectos es tan simple como colocarlos entre los nodos *MediaIn* y *MediaOut*.

Existen distintas maneras de hacerlo. Por ejemplo, es posible mantener presionada la tecla **Shift**, arrastrar el nodo y soltarlo entre otros dos, o hacer clic donde se desea agregar un efecto y seleccionar una herramienta en particular. El nuevo nodo se conectará automáticamente a la herramienta elegida. Asimismo, se pueden añadir nodos en cualquier lugar del editor y conectarlos arrastrando la salida de uno hacia la entrada de otro.



La herramienta empleada con mayor frecuencia es el nodo de combinación 2D o 3D. Este combina diversas herramientas del editor en una sola salida.

El nodo de combinación permite organizar las entradas ajustando su tamaño, posición o la manera en la que se combinan. Asimismo, es posible acceder a estos parámetros desde el inspector al seleccionar dicho nodo.

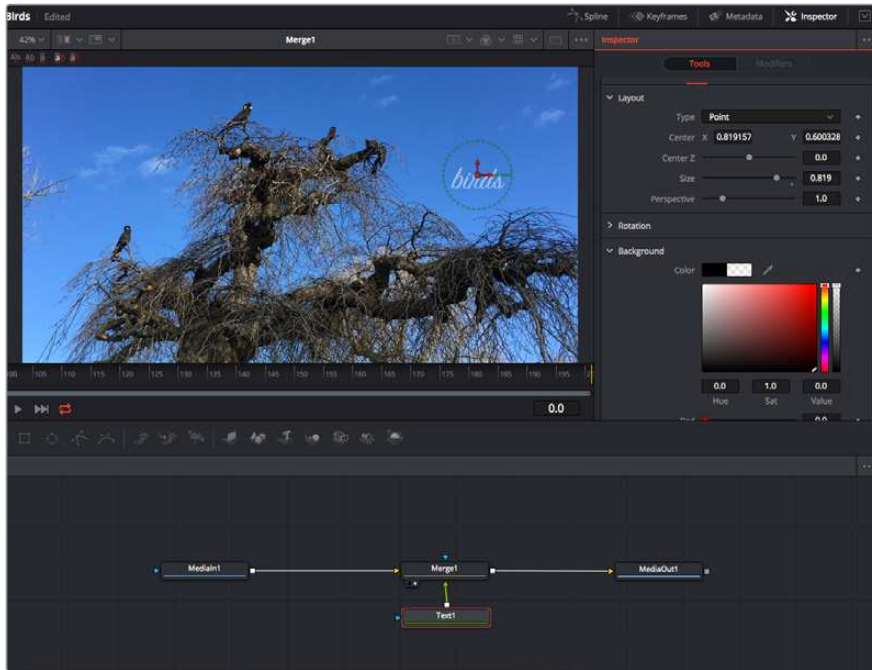
La barra de herramientas en la parte superior del editor contiene íconos que representan las funciones empleadas con mayor frecuencia. Para agregarlas a un nodo, basta con hacer clic en uno de ellos o arrastrarlo al panel. Si desea ver todas las herramientas disponibles, acceda a la **Biblioteca de efectos** en la esquina superior izquierda de la interfaz y haga clic en la opción **Tools**. Estas se encuentran agrupadas por categorías e incluyen plantillas de efectos para añadir destellos, sombras y fondos.

SUGERENCIA: Una vez que se familiarice con el nombre de las herramientas, mantenga presionada la tecla **Shift** y luego oprima la barra espaciadora para abrir el menú de selección. Al escribir el nombre de la herramienta, el programa sugerirá la opción más relevante. Esta es una manera muy rápida de elegir la herramienta deseada.

Ajustar nodos con el inspector

Es posible ajustar nodos mediante el panel **Inspector**. Para ello, haga clic en el nodo que desea modificar y se mostrarán las opciones y controles correspondientes.

Fusion brinda la posibilidad de ver un nodo mientras se modifica otro. Por ejemplo, es posible cambiar el tamaño y la posición del centro de un nodo *Text+* mientras se ve el contenido del nodo *Merge* en el visor, lo cual permite apreciar el texto con relación al fondo.



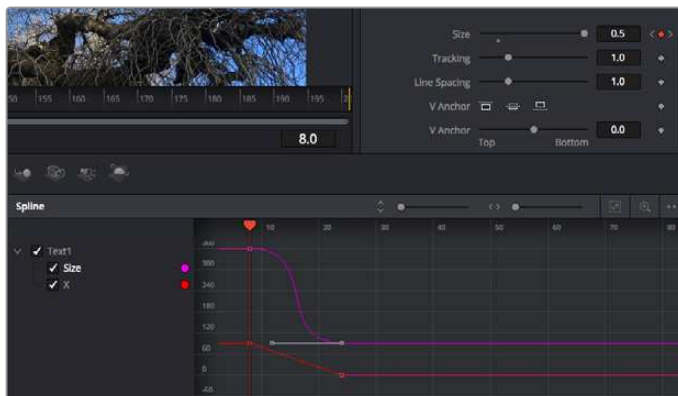
Los nodos seleccionados se indican con un borde rojo. En esta imagen, el panel **Inspector** muestra las opciones para el nodo de texto.

Existen varios parámetros y ajustes para cada nodo según la función que cumple, y estos incluyen desde el tamaño y la posición del centro hasta la cantidad de partículas de un nodo emisor. Asimismo, es posible animar un efecto marcando fotogramas clave y modificando los ajustes en función del tiempo.

Uso de fotogramas clave

Para añadir un fotograma clave desde el inspector, haga clic con el botón derecho en uno de los ajustes y seleccione la opción **Animate** en el menú contextual. El ícono con forma de rombo a la derecha se destaca en rojo, indicando de este modo que cualquier cambio que se realice se aplicará únicamente al fotograma seleccionado. Cuando se crean dos o más fotogramas clave ajustando los parámetros en otro distinto, se realiza una interpolación entre ambos. Las flechas situadas a ambos lados del ícono permiten mover el cabezal a la posición exacta en la línea de tiempo.

Por su parte, el panel de curvas paramétricas brinda un mayor control sobre la animación. En tal sentido, permite seleccionar fotogramas clave y atenuar la animación entre ellos mediante una curva de Bézier. Para ello, presione **Shift+S** o haga clic con el botón derecho en uno de los fotogramas y seleccione la opción **Smooth**.



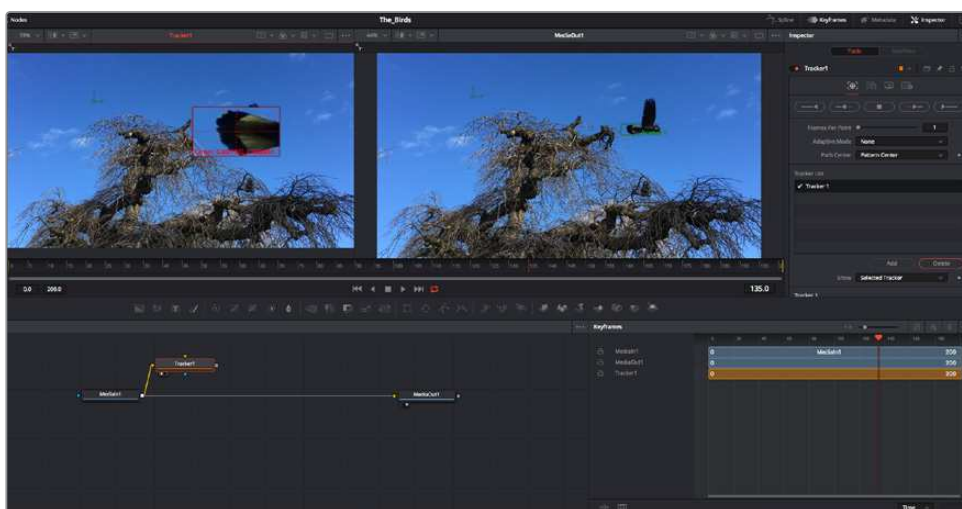
Animación atenuada mediante una curva de Bézier. Es posible hacer clic en los puntos de control para acortarla o alargarla, o en los íconos cuadrados a fin de cambiar su ubicación.

Usar la función de seguimiento y agregar texto

Con el propósito de tener una mejor idea acerca de cómo emplear Fusion, hemos incluido los siguientes ejemplos que muestran el uso de la herramienta de seguimiento a efectos de rastrear un elemento, añadir texto y vincularlo a dicho objeto.

La herramienta de seguimiento rastrea el movimiento de los píxeles en función del tiempo, representando su posición con respecto a los ejes X e Y y generando información que puede asignarse a otros elementos. Esto resulta de gran utilidad cuando es necesario que la posición del texto coincida con un objeto en movimiento, como un coche desplazándose por una carretera o pájaros volando.

- 1 En la biblioteca de efectos, seleccione la opción **Tracker** dentro de la categoría **Tracking** y arrástrela a la línea que conecta los nodos *MediaIn* y *MediaOut*. A continuación, haga clic en el nodo de seguimiento para ver sus parámetros en el inspector.
- 2 Presione **1** en el teclado para ver el contenido del nodo en el visor izquierdo. Se mostrará el clip con la herramienta de seguimiento en la posición predeterminada. Coloque el puntero sobre esta para ver los marcadores. Haga clic en el punto de control situado en la esquina superior izquierda y arrastre la herramienta hasta el área deseada en la imagen. Se logran mejores resultados en zonas de alto contraste, como la insignia en el capó de un automóvil. La imagen se ampliará a fin de lograr una mayor precisión.
- 3 En el inspector, haga clic en el penúltimo botón para comenzar el seguimiento. Aparecerá una notificación cuando el procedimiento haya finalizado. Haga clic en **OK**.

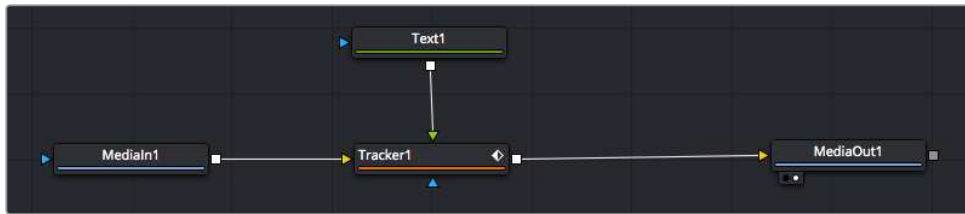


Las opciones en el inspector incluyen la posibilidad de realizar un seguimiento desde el último fotograma (o el fotograma seleccionado) hacia atrás, a partir del primer fotograma (o el fotograma seleccionado) hacia adelante, o detener el proceso.

SUGERENCIA: Las opciones para realizar un seguimiento desde el fotograma seleccionado hacia adelante o atrás son ideales en situaciones en las que el rango de renderización no comprende el área de interés en la imagen, por ejemplo, cuando un automóvil o un pájaro se desplaza fuera de plano. Esto brinda la posibilidad de rastrear solamente el material relevante.

A continuación, es posible utilizar los datos del seguimiento y aplicar la trayectoria a un nodo de texto.

- Haga clic en el ícono correspondiente al nodo **Text1** en la barra de herramientas y arrástrelo al editor, cerca del nodo **Tracker1**. Conecte la salida del primero a la entrada verde del segundo.



- Para ver el resultado de esta combinación en el visor izquierdo, haga clic en el nodo de seguimiento o presione 1. En el panel **Inspector** correspondiente al nodo **Tracker1**, haga clic en la pestaña **Operation**. Es posible ver el nombre de las pestañas moviendo el puntero del mouse sobre las mismas. En el menú desplegable junto a la opción **Operation**, seleccione **Match Move**.
- Haga clic en el nodo de texto para ver sus parámetros en el inspector. Escriba el texto en el recuadro y cambie el tipo de fuente, su color y su tamaño según la composición. Los datos generados por la herramienta de seguimiento se aplicarán a la posición del texto. Para modificar la posición del texto, haga clic en la pestaña **Trackers** del inspector y ajuste el control **X Offset 1** o **Y Offset 1**.



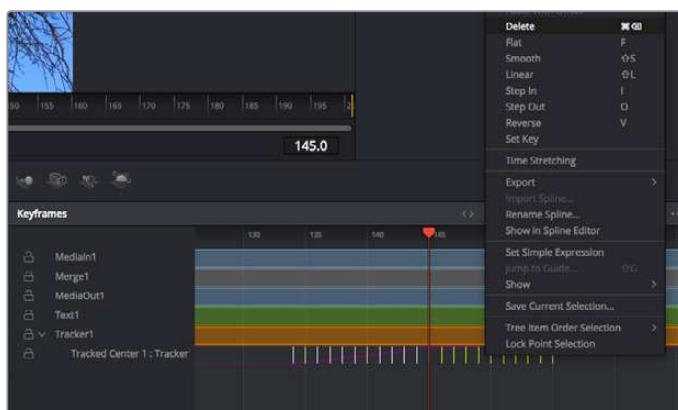
Los controles en la parte inferior del inspector permiten ajustar la posición del texto.

A continuación, observe la composición para notar cómo el texto se vincula al objeto al que se aplicó la función de seguimiento.



El rectángulo verde representa la posición actual del rastreador con respecto a la trayectoria, mientras que la línea roja punteada es la posición empleada para animar el texto.

En algunas tomas, es necesario eliminar los puntos de seguimiento una vez finalizado este procedimiento, por ejemplo, cuando el objeto desaparece del plano. Sin embargo, el editor de fotogramas clave permite hacerlo de manera sencilla.



- 7 Haga clic en la pestaña de fotogramas clave sobre el inspector para abrir el editor. Los nodos que incluyen fotogramas clave se indican con una pequeña flecha junto a su nombre, y en la lista solo aparecerán sus parámetros. Haga clic en la lupa y dibuje un recuadro alrededor del área que desea modificar. Esto permitirá ampliar dicha zona para facilitar la visualización de los fotogramas clave.
- 8 Mueva el cabezal de reproducción hasta el último fotograma que desea utilizar. A continuación, seleccione los fotogramas clave que quiera eliminar trazando un recuadro a su alrededor. Estos se destacarán de color amarillo. Haga clic con el botón derecho y seleccione la opción Delete en el menú emergente.

SUGERENCIA: Si los efectos consumen una gran cantidad de recursos del equipo informático, haga clic con el botón derecho sobre los controles de reproducción para acceder a opciones adicionales, como la posibilidad de reproducir las imágenes a una menor resolución, lo cual facilitará el uso del sistema mientras se crea la composición. Consulte el manual de DaVinci Resolve para obtener más información al respecto.

Ya ha completado su primera composición, animando el texto para que coincida con la trayectoria de un objeto en el material grabado.

La herramienta de seguimiento planar permite rastrear una zona de la imagen que contiene una superficie plana que se desea destacar o sustituir. En el caso de los planos bidimensionales, esto puede resultar útil para cambiar carteles y señales en una imagen en movimiento, o incluso añadir una imagen a un monitor o un televisor en el plano.

Consulte el manual de DaVinci Resolve para obtener más información al respecto.

SUGERENCIA: Al crear efectos visuales en el módulo Fusion, las herramientas de combinación serán distintas según se trate de efectos bidimensionales o tridimensionales. No obstante, a menudo se combinan ambos tipos en la misma composición. En este caso, merece la pena recordar que cualquier efecto visual generado en un espacio 3D deberá renderizarse como una imagen 2D antes de poder emplearlo en la composición bidimensional.

Esperamos que disfrute explorando los distintos efectos visuales que ofrece Fusion, junto con las extraordinarias prestaciones de los módulos Edición, Color y Fairlight. Gracias a la amplia variedad de herramientas que brinda DaVinci Resolve, su creatividad no tendrá límites.

Masterización

Ahora que el proyecto ya está editado y etalonado, y se han añadido los efectos visuales y la mezcla de audio, es el momento de compartirlo con otras personas. A tal fin, es posible usar la opción para exportarlo rápidamente o el menú de selección a fin de entregar el contenido de la línea de tiempo en un único archivo multimedia, escogiendo su formato de entre varias posibilidades, o usando las funciones adicionales del módulo Entrega.



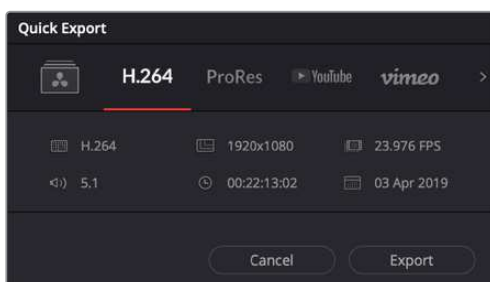
El material editado se puede exportar mediante el módulo Entrega, donde es posible seleccionar diferentes códecs y formatos.

Exportación rápida

En el menú **Archivo**, seleccione la opción **Exportación rápida** a fin de emplear una de las opciones predeterminadas para exportar el proyecto desde cualquier módulo de DaVinci Resolve. Asimismo, es posible utilizar esta función para publicar el material directamente en una de las plataformas compatibles, como YouTube, Vimeo o Frame.io.

Para utilizar la función de exportación rápida:

- 1 Opcionalmente, en los módulos Edición, Fusion o Color, marque puntos de entrada y salida en la línea de tiempo para seleccionar el intervalo que se desea exportar. En caso contrario, se exportará la línea de tiempo completa.
Seleccione la opción **Archivo** y a continuación **Exportación rápida**.
- 2 Seleccione una de las opciones predeterminadas situadas en la fila superior de la ventana de diálogo y haga clic en **Exportar**.
- 3 Seleccione la ubicación en el directorio, escriba el nombre del archivo en la ventana de diálogo y haga clic en **Guardar**. Aparecerá una barra que indica cuánto demorará el proceso de exportación.



Opciones de exportación rápida

Módulo Entrega

Este módulo brinda la oportunidad de seleccionar los clips que desean exportar, así como el formato, el códec y la resolución. DaVinci Resolve permite utilizar diversos formatos, por ejemplo, QuickTime, AVI, MXF y DPX, empleando códecs tales como RGB/YUV sin compresión de 8 o 10 bits, ProRes, DNxHD y H.264, entre otros.

Para exportar un clip:

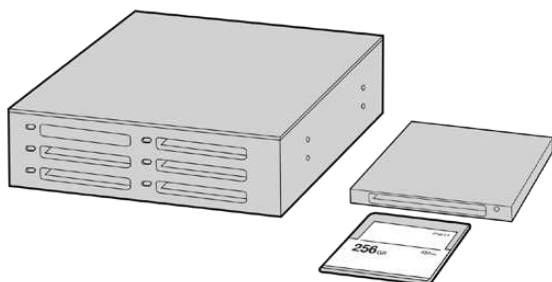
- 1 Haga clic en el módulo **Entrega**.
- 2 Acceda al panel **Ajustes de renderización**, situado en la parte superior izquierda. A continuación, podrá escoger una de las configuraciones predeterminadas, tales como YouTube o Vimeo, o elegir sus propios ajustes mediante la opción **Personalizado**. Por ejemplo, seleccione **YouTube**, luego haga clic sobre la flecha que aparece al costado y finalmente elija la opción **1080p** para el formato.
La frecuencia de imagen coincidirá con la del proyecto.
- 3 Debajo de las opciones predeterminadas, verá el nombre del archivo final y su ubicación. Haga clic en **Buscar** y seleccione una carpeta para guardar el archivo exportado. A continuación, seleccione la opción **Un clip** en los ajustes de renderización.
- 4 Sobre la línea de tiempo, verá un menú desplegable con la opción **Toda la línea de tiempo** seleccionada. Esto significa que se renderizará todo su contenido. Sin embargo, también es posible seleccionar solo una parte de la secuencia. Para ello, basta con elegir la opción **Intervalo** y luego marcar los puntos de entrada y salida mediante las teclas **I** y **O**.
- 5 En la parte inferior del panel, haga clic en el botón **Agregar a la cola de procesamiento**. El material se agregará a la cola de procesamiento en la parte derecha del módulo. A continuación, haga clic en el botón **Renderizar** y supervise el progreso de la renderización en la lista de trabajos pendientes.
Una vez finalizado el procedimiento, abra el archivo generado para ver el producto final.

Ahora que ya cuenta con un conocimiento básico sobre cómo editar, etalonar, mezclar el audio y agregar efectos visuales, le recomendamos que pruebe distintas opciones en DaVinci Resolve. Consulte el manual del programa para obtener más información acerca de cada una de sus funciones.

Otros programas de edición

Para editar clips utilizando su programa preferido, puede copiarlos a una unidad externa o RAID y luego importarlos desde la aplicación. De manera alternativa, utilice el puerto USB-C o un adaptador para el soporte de almacenamiento a fin de acceder a los archivos directamente.

Acceso a archivos en tarjetas SD y CFast 2.0



Para editar el material audiovisual directamente desde la tarjeta SD o CFast, retírela de la cámara y conéctela a un equipo informático mediante un dispositivo de lectura y/o escritura para este tipo de unidades.

Para importar clips desde una tarjeta SD o CFast 2.0:

- 1** Retire la tarjeta de la cámara.
Conéctela a un equipo Mac o Windows mediante un dispositivo de lectura y/o escritura para este tipo de unidades.
- 2** Haga doble clic en el ícono de la tarjeta para acceder a las carpetas que contienen los archivos Blackmagic RAW o QuickTime. Es posible que haya una mezcla de archivos según el formato seleccionado para la grabación, pero en todos se emplea la misma nomenclatura.
- 3** Arrastre los archivos desde la tarjeta al escritorio o a otro dispositivo de almacenamiento, o acceda directamente a ellos desde el programa de edición.
- 4** Antes de retirar la tarjeta del equipo informático, es importante expulsarla desde el sistema operativo. De lo contrario, el material grabado podría sufrir daños.

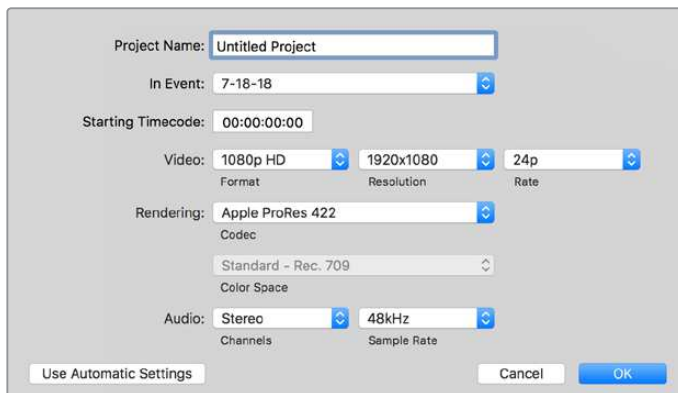
Acceso a archivos en unidades USB-C

Para importar clips desde una unidad USB-C:

- 1** Desconecte la unidad de la cámara.
- 2** Conecte la unidad a un equipo informático Mac o Windows mediante el puerto USB-C. Las conexiones USB 3.0 son preferibles a las 2.0, ya que estas últimas no son lo suficientemente rápidas como para permitir la edición de imágenes en tiempo real.
- 3** Haga doble clic en la unidad USB-C para acceder a la lista de carpetas o archivos QuickTime que contienen las imágenes en formato Blackmagic RAW. Es posible que haya una mezcla de archivos según el formato seleccionado para la grabación, pero en todos se emplea la misma nomenclatura.
- 4** Arrastre los archivos desde la unidad al escritorio o a otro dispositivo de almacenamiento, o acceda directamente a ellos desde el programa de edición.
- 5** Antes de desconectar la unidad USB-C, recomendamos expulsarla en forma segura mediante la función correspondiente.

Final Cut Pro X

Para editar en Final Cut Pro X, es necesario crear un proyecto nuevo y seleccionar la frecuencia de imagen y el formato requeridos. En este ejemplo, se utiliza el formato ProRes 422 HQ a 1080p24.



Ajustes del proyecto en Final Cut Pro X

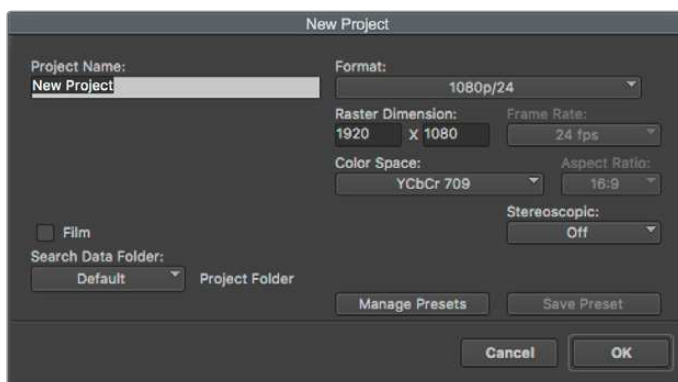
- 1 Ejecute Final Cut Pro X. A continuación, en la barra de menús, haga clic en **File** y luego seleccione la opción **New Project**. Se abrirá una ventana que muestra los ajustes del proyecto.
- 2 Escriba un nombre para el proyecto y marque la casilla **Custom**.
- 3 Seleccione las opciones **1080p HD**, **1920x1080** y **24p**.
- 4 En la opción **Audio and Render Properties**, seleccione **Stereo**, **48 kHz**, y **Apple ProRes 422 HQ**.
- 5 Haga clic en **OK**.

Para importar los clips, haga clic en la opción **File** situada en la barra superior. A continuación, seleccione **Import** y luego **Media**. Elija los archivos en la tarjeta de memoria.

Arrástrelos a la línea de tiempo para editarlos.

Media Composer

Para editar en Media Composer, es necesario crear un proyecto nuevo y seleccionar la frecuencia de imagen y el formato requeridos. En este ejemplo, se utiliza el formato 1080p24.



Nombre y opciones del proyecto en Media Composer

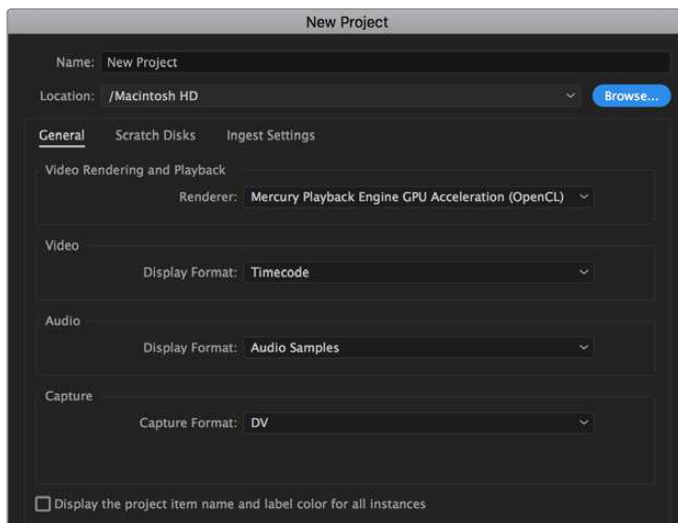
- 1 Ejecute el programa para acceder a la ventana de selección de proyectos.
- 2 Haga clic en el botón **New project** y escriba un nombre en la ventana correspondiente.

- 3 En el menú de selección del formato, elija la opción **HD 1080** y luego **1080p/24**. A continuación, haga clic en **OK** para crear el proyecto.
- 4 Haga doble clic sobre el nombre del proyecto en la ventana **Select project** para abrirlo.
- 5 Seleccione la opción **File**, luego **Input** y a continuación **Source browser** para buscar los archivos que desea importar.
- 6 Seleccione la carpeta de destino en el menú desplegable y haga clic en **Import**.

Una vez que los clips aparecen en la carpeta, es posible arrastrarlos a la línea de tiempo y comenzar a editarlos.

Premiere Pro CC

Para editar clips en formato ProRes 422 (HQ) con Premiere Pro CC, es necesario crear un proyecto nuevo y seleccionar la frecuencia de imagen y el formato requeridos. En este ejemplo, se utiliza el formato ProRes 422 (HQ) a 1080p25.



Nombre y opciones del proyecto en Premiere Pro CC

- 1 Ejecute Premiere Pro CC. En la ventana de bienvenida, seleccione la opción **New Project**. Se abrirá una ventana que muestra los parámetros del proyecto.
- 2 Escriba el nombre del proyecto. Haga clic en **Browse** y seleccione la carpeta donde desea guardarlo. A continuación, haga clic en **OK** en la ventana de bienvenida.
- 3 En la barra de menús, seleccione la opción **File** y luego **Import**. Elija los clips que desea editar. Estos aparecerán en la ventana del proyecto.
- 4 Arrastre el primer clip hacia el ícono **New Item** en la parte inferior derecha de la ventana. Se creará una nueva secuencia con los mismos ajustes del clip.

Arrastre los clips a la línea de tiempo para editarlos.

Programa utilitario de la cámara

Actualización del programa en equipos Mac

Después de descargar el programa Blackmagic Camera Setup y descomprimir el archivo, haga clic en la imagen de disco para ver los contenidos.

Ejecute el instalador y siga las instrucciones que aparecen en la pantalla. Una vez finalizada la instalación, seleccione la opción **Aplicaciones** y haga clic en la carpeta **Blackmagic Cameras**, que contiene este manual, el programa utilitario y otros archivos con información adicional. Asimismo, se incluye una aplicación para desinstalar versiones anteriores del programa cuando sea necesario actualizarlo.



Actualización del programa en equipos Windows

Después de descargar el programa utilitario de la cámara y descomprimir el archivo correspondiente, verá una carpeta denominada **Blackmagic Camera Setup** que contiene este manual y el instalador. Haga doble clic en el instalador de la aplicación y siga las instrucciones que aparecen en la pantalla para completar el procedimiento.

En Windows 10, haga clic en el botón de inicio y seleccione la opción **Todas las aplicaciones**. Busque la carpeta **Blackmagic Design** en la lista. Desde allí podrá ejecutar el programa.

En Windows 8.1, haga clic en la flecha hacia abajo que aparece en la pantalla de inicio para ver la carpeta **Blackmagic Design**. Desde allí podrá ejecutar el programa.

Actualización del sistema operativo interno de la cámara

Después de instalar la última versión del programa utilitario en el equipo informático, conéctelo a la cámara mediante el puerto USB-C.

Este se encuentra en el panel izquierdo de la unidad. Basta con retirar la cubierta de goma para acceder a la conexión.

Ejecute el programa utilitario y siga las instrucciones que aparecen en la pantalla para actualizar el software interno de la cámara.

Soportes de grabación recomendados

Tarjetas CFast 2.0

Para el modelo Pocket Cinema Camera 6K

Recomendamos los siguientes modelos para grabar en formato 6K Blackmagic RAW 5:1 a una velocidad máxima de 50 f/s.

Marca	Modelo	Capacidad
Angelbird	AV PRO CF XT	512 GB
CinediskPro	510MB/s CFast 2.0	256 GB
Hagiwara Solutions	DC-SMAN64GA CFast 2.0	64 GB
Hagiwara Solutions	DC-SMANA1GA CFast 2.0	128 GB
KomputerBay	3400x CFast 2.0	64 GB
KomputerBay	3400x CFast 2.0	128 GB
Lexar	Professional 3400X CFast 2.0	128 GB
Lexar	Professional 3500X CFast 2.0	128 GB
ProGrade Digital	510MB/s CFast 2.0	128 GB
ProGrade Digital	550MB/s CFast 2.0	256 GB
ProGrade Digital	550MB/s CFast 2.0	512 GB
Transcend	CFX650 CFast 2.0 TS128GCFX650	128 GB
SanDisk	Extreme Pro CFast 2.0 SDCFSP-64G-x46D	64 GB
SanDisk	Extreme Pro CFast 2.0 SDCFSP-128G-x46D	128 GB
SanDisk	Extreme Pro CFast 2.0 SDCFSP-256G-x46D	256 GB
SanDisk	Extreme Pro CFast 2.0 SDCFSP-512G-x46D	512 GB
Silicon Power	CFX310 CFast 2.0	512 GB
Sony	CFast 2.0 G Series CAT-G64	64 GB
Sony	CFast 2.0 G Series CAT-G128	128 GB
Wise	CFA-2560 3400x CFast 2.0	256 GB
Wise	CFA-5120 3500x CFast 2.0	512 GB
Wise	CFA-10240 3500X CFast 2.0	1 TB

Recomendamos los siguientes modelos para grabar en formato 6K Blackmagic RAW 2.4:1 a una velocidad máxima de 60 f/s.

Marca	Modelo	Capacidad
Angelbird	AV PRO CF XT	512 GB
CinediskPro	510MB/s CFast 2.0	256 GB
Hagiwara Solutions	DC-SMAN64GA CFast 2.0	64 GB
Hagiwara Solutions	DC-SMANA1GA CFast 2.0	128 GB

Marca	Modelo	Capacidad
KomputerBay	3400x CFast 2.0	64 GB
KomputerBay	3400x CFast 2.0	128 GB
Lexar	Professional 3400X CFast 2.0	128 GB
Lexar	Professional 3500X CFast 2.0	128 GB
ProGrade Digital	510MB/s CFast 2.0	128 GB
ProGrade Digital	550MB/s CFast 2.0	256 GB
ProGrade Digital	550MB/s CFast 2.0	512 GB
Transcend	CFX650 CFast 2.0 TS128GCFX650	128 GB
SanDisk	Extreme Pro CFast 2.0 SDCFSP-64G-x46D	64 GB
SanDisk	Extreme Pro CFast 2.0 SDCFSP-128G-x46D	128 GB
SanDisk	Extreme Pro CFast 2.0 SDCFSP-256G-x46D	256 GB
SanDisk	Extreme Pro CFast 2.0 SDCFSP-512G-x46D	512 GB
Silicon Power	CFX310 CFast 2.0	256 GB
Silicon Power	CFX310 CFast 2.0	512 GB
Sony	CFast 2.0 G Series CAT-G64	64 GB
Sony	CFast 2.0 G Series CAT-G128	128 GB
Wise	CFA-1280 3400x CFast 2.0	128 GB
Wise	CFA-2560 3400x CFast 2.0	256 GB
Wise	CFA-5120 3500x CFast 2.0	512 GB
Wise	CFA-10240 3500X CFast 2.0	1 TB

Recomendamos los siguientes modelos para grabar en formato Blackmagic RAW 2.8K 17:9 3:1 a una velocidad máxima de 120 f/s.

Marca	Modelo	Capacidad
Angelbird	AV PRO CF XT	512 GB
CinediskPro	510MB/s CFast 2.0	256 GB
Hagiwara Solutions	DC-SMAN64GA CFast 2.0	64 GB
Hagiwara Solutions	DC-SMANA1GA CFast 2.0	128 GB
KomputerBay	3400x CFast 2.0	64 GB
KomputerBay	3400x CFast 2.0	128 GB
Lexar	Professional 3400X CFast 2.0	128 GB
Lexar	Professional 3500X CFast 2.0	128 GB
Lexar	Professional 3400X CFast 2.0	256 GB
ProGrade Digital	510MB/s CFast 2.0	128 GB
ProGrade Digital	550MB/s CFast 2.0	256 GB
ProGrade Digital	550MB/s CFast 2.0	512 GB
Transcend	CFX650 CFast 2.0 TS128GCFX650	128 GB

Marca	Modelo	Capacidad
SanDisk	Extreme Pro CFast 2.0 SDCFSP-64G-x46D	64 GB
SanDisk	Extreme Pro CFast 2.0 SDCFSP-128G-x46D	128 GB
SanDisk	Extreme Pro CFast 2.0 SDCFSP-256G-x46D	256 GB
SanDisk	Extreme Pro CFast 2.0 SDCFSP-512G-x46D	512 GB
Silicon Power	CFX310 CFast 2.0	256 GB
Silicon Power	CFX310 CFast 2.0	512 GB
Sony	CFast 2.0 G Series CAT-G64	64 GB
Sony	CFast 2.0 G Series CAT-G128	128 GB
Wise	CFA-1280 3400x CFast 2.0	128 GB
Wise	CFA-2560 3400x CFast 2.0	256 GB
Wise	CFA-5120 3500x CFast 2.0	512 GB
Wise	CFA-10240 3500X CFast 2.0	1 TB

Recomendamos los siguientes modelos para grabar en formato ProRes HQ DCI 4K a una velocidad máxima de 60 f/s.

Marca	Modelo	Capacidad
Angelbird	AV PRO CF XT	512 GB
CinediskPro	510MB/s CFast 2.0	256 GB
Hagiwara Solutions	DC-SMAN64GA CFast 2.0	64 GB
Hagiwara Solutions	DC-SMANA1GA CFast 2.0	128 GB
KomputerBay	3400x CFast 2.0	64 GB
KomputerBay	3400x CFast 2.0	128 GB
Lexar	Professional 3400X CFast 2.0	128 GB
Lexar	Professional 3500X CFast 2.0	128 GB
Lexar	Professional 3400X CFast 2.0	256 GB
ProGrade Digital	510MB/s CFast 2.0	128 GB
ProGrade Digital	550MB/s CFast 2.0	256 GB
ProGrade Digital	550MB/s CFast 2.0	512 GB
Transcend	CFX650 CFast 2.0 TS128GCFX650	128 GB
SanDisk	Extreme Pro CFast 2.0 SDCFSP-64G-x46D	64 GB
SanDisk	Extreme Pro CFast 2.0 SDCFSP-128G-x46D	128 GB
SanDisk	Extreme Pro CFast 2.0 SDCFSP-256G-x46D	256 GB
SanDisk	Extreme Pro CFast 2.0 SDCFSP-512G-x46D	512 GB
Silicon Power	CFX310 CFast 2.0	256 GB
Silicon Power	CFX310 CFast 2.0	512 GB
Sony	CFast 2.0 G Series CAT-G64	64 GB
Sony	CFast 2.0 G Series CAT-G128	128 GB

Marca	Modelo	Capacidad
Wise	CFA-1280 3400x CFast 2.0	128 GB
Wise	CFA-2560 3400x CFast 2.0	256 GB
Wise	CFA-5120 3500x CFast 2.0	512 GB
Wise	CFA-10240 3500X CFast 2.0	1 TB

Recomendamos los siguientes modelos para grabar en formato ProRes 422 HQ 1080 a una velocidad máxima de 120 f/s.

Marca	Modelo	Capacidad
Angelbird	AV PRO CF XT	512 GB
CinediskPro	510MB/s CFast 2.0	256 GB
Hagiwara Solutions	DC-SMAN64GA CFast 2.0	64 GB
Hagiwara Solutions	DC-SMANA1GA CFast 2.0	128 GB
KomputerBay	3400x CFast 2.0	64 GB
KomputerBay	3400x CFast 2.0	128 GB
Lexar	Professional 3400X CFast 2.0	128 GB
Lexar	Professional 3500X CFast 2.0	128 GB
Lexar	Professional 3400X CFast 2.0	256 GB
ProGrade Digital	510MB/s CFast 2.0	128 GB
ProGrade Digital	550MB/s CFast 2.0	256 GB
ProGrade Digital	550MB/s CFast 2.0	512 GB
Transcend	CFX650 CFast 2.0 TS128GCFX650	128 GB
SanDisk	Extreme Pro CFast 2.0 SDCFSP-64G-x46D	64 GB
SanDisk	Extreme Pro CFast 2.0 SDCFSP-128G-x46D	128 GB
SanDisk	Extreme Pro CFast 2.0 SDCFSP-256G-x46D	256 GB
SanDisk	Extreme Pro CFast 2.0 SDCFSP-512G-x46D	512 GB
Silicon Power	CFX310 CFast 2.0	256 GB
Silicon Power	CFX310 CFast 2.0	512 GB
Sony	CFast 2.0 G Series CAT-G64	64 GB
Sony	CFast 2.0 G Series CAT-G128	128 GB
Wise	CFA-1280 3400x CFast 2.0	128 GB
Wise	CFA-2560 3400x CFast 2.0	256 GB
Wise	CFA-5120 3500x CFast 2.0	512 GB
Wise	CFA-10240 3500X CFast 2.0	1 TB

Para el modelo Pocket Cinema Camera 4K

Recomendamos los siguientes modelos para grabar en formato Blackmagic RAW DCI 4K 3:1 a una velocidad máxima de 60 f/s.

Marca	Modelo	Capacidad
Angelbird	AV PRO CF	512 GB
Angelbird	AV PRO CF	1 TB
CinediskPro	510MB/s CFast 2.0	256 GB
Hagiwara Solutions	DC-SMAN64GA CFast 2.0	64 GB
Hagiwara Solutions	DC-SMANA1GA CFast 2.0	128 GB
KomputerBay	3400x CFast 2.0	64 GB
KomputerBay	3400x CFast 2.0	128 GB
KomputerBay	3700x CFast 2.0	256 GB
Lexar	Professional 3400x CFast 2.0	128 GB
Lexar	Professional 3500x CFast 2.0	256 GB
ProGrade Digital	550MB/s CFast 2.0	128 GB
ProGrade Digital	550MB/s CFast 2.0	256 GB
ProGrade Digital	550MB/s CFast 2.0	512 GB
SanDisk	Extreme Pro CFast 2.0 SDCFSP-256G-x46D	512 GB
Wise	CFA-1280 3400x CFast 2.0	128 GB
Wise	CFA-2560 3400x CFast 2.0	256 GB
Wise	CFA-5120 3500x CFast 2.0	512 GB
Wise	CFA-10240 3500x CFast 2.0	1 TB

Recomendamos los siguientes modelos para grabar en formato ProRes HQ DCI 4K a una velocidad máxima de 60 f/s.

Marca	Modelo	Capacidad
Angelbird	AV PRO CF	128 GB
Angelbird	AV PRO CF	256 GB
Angelbird	AV PRO CF	512 GB
CinediskPro	510MB/s CFast 2.0	256 GB
Hagiwara Solutions	DC-SMAN64GA CFast 2.0	64 GB
Hagiwara Solutions	DC-SMANA1GA CFast 2.0	128 GB
KomputerBay	3400x CFast 2.0	128 GB
KomputerBay	3700x CFast 2.0	256 GB
ProGrade Digital	550MB/s CFast 2.0	256 GB
ProGrade Digital	550MB/s CFast 2.0	512 GB

Marca	Modelo	Capacidad
SanDisk	Extreme Pro CFast 2.0 SDCFSP-64G-x46D	64 GB
SanDisk	Extreme Pro CFast 2.0 SDCFSP-128G-x46D	128 GB
SanDisk	Extreme Pro CFast 2.0 SDCFSP-256G-x46D	256 GB
Sony	CFast 2.0 G Series CAT-G64	64 GB
Sony	CFast 2.0 G Series CAT-G128	128 GB
Wise	CFA-1280 3400x CFast 2.0	128 GB
Wise	CFA-2560 3400x CFast 2.0	256 GB
Wise	CFA-5120 3500x CFast 2.0	512 GB
Wise	CFA-10240 3500x CFast 2.0	1 TB

Recomendamos los siguientes modelos para grabar en formato RAW DCI 4K sin pérdida de información a una velocidad máxima de 30 f/s.

Marca	Modelo	Capacidad
Angelbird	AV PRO CF	128 GB
Angelbird	AV PRO CF	256 GB
Angelbird	AV PRO CF	512 GB
CinediskPro	510MB/s CFast 2.0	256 GB
KomputerBay	3400x CFast 2.0	128 GB
ProGrade Digital	550MB/s CFast 2.0	256 GB
ProGrade Digital	550MB/s CFast 2.0	512 GB
SanDisk	Extreme Pro CFast 2.0 SDCFSP-64G-x46D	64 GB
SanDisk	Extreme Pro CFast 2.0 SDCFSP-128G-x46D	128 GB
SanDisk	Extreme Pro CFast 2.0 SDCFSP-256G-x46D	256 GB
Sony	CFast 2.0 G Series CAT-G64	64 GB
Sony	CFast 2.0 G Series CAT-G128	128 GB
Wise	CFA-1280 3400x CFast 2.0	128 GB
Wise	CFA-2560 3400x CFast 2.0	256 GB
Wise	CFA-5120 3500x CFast 2.0	512 GB

Recomendamos los siguientes modelos para grabar en formato RAW DCI 4K 3:1 a una velocidad máxima de 60 f/s.

Marca	Modelo	Capacidad
Angelbird	AV PRO CF	128 GB
Angelbird	AV PRO CF	256 GB
Angelbird	AV PRO CF	512 GB
CinediskPro	510MB/s CFast 2.0	256 GB

Marca	Modelo	Capacidad
KomputerBay	3400x CFast 2.0	128 GB
ProGrade Digital	550MB/s CFast 2.0	256 GB
ProGrade Digital	550MB/s CFast 2.0	512 GB
SanDisk	Extreme Pro CFast 2.0 SDCFSP-64G-x46D	64 GB
SanDisk	Extreme Pro CFast 2.0 SDCFSP-128G-x46D	128 GB
SanDisk	Extreme Pro CFast 2.0 SDCFSP-256G-x46D	256 GB
Sony	CFast 2.0 G Series CAT-G64	64 GB
Sony	CFast 2.0 G Series CAT-G128	128 GB
Wise	CFA-1280 3400x CFast 2.0	128 GB
Wise	CFA-2560 3400x CFast 2.0	256 GB
Wise	CFA-5120 3500x CFast 2.0	512 GB

Tarjetas SD

Para el modelo Pocket Cinema Camera 6K

Recomendamos los siguientes modelos SD para grabar en formato Blackmagic RAW 5:1 6K 16:9 a una velocidad máxima de 30 f/s.

Marca	Modelo	Capacidad
Angelbird	AV PRO SD V90	64 GB
Sony	Tough SF-G32T	32 GB
Sony	Tough SF-G64T	64 GB
Sony	Tough SF-G128T	128 GB
Toshiba	Exceria Pro UHS-II 270MB/s SDXC	64 GB
Wise	SD2-128U3 SDXC UHS-II	128 GB

Recomendamos los siguientes modelos SD para grabar en formato Blackmagic RAW 8:1 6K 16:9 a una velocidad máxima de 30 f/s.

Marca	Modelo	Capacidad
Angelbird	AV PRO SD V90	64 GB
Sony	Tough SF-G32T	32 GB
Sony	Tough SF-G64T	64 GB
Sony	Tough SF-G128T	128 GB
Toshiba	Exceria Pro UHS-II 270MB/s SDXC	64 GB
Toshiba	Exceria Pro UHS-II 270MB/s SDXC	128 GB
Toshiba	Exceria Pro UHS-II N502 SDXC	128 GB
Wise	SD2-128U3 SDXC UHS-II	128 GB

Recomendamos los siguientes modelos SD para grabar en formato Blackmagic RAW 12:1 6K 2.4:1 a una velocidad máxima de 60 f/s.

Marca	Modelo	Capacidad
Angelbird	AV PRO SD V90	64 GB
Sony	Tough SF-G32T	32 GB
Sony	Tough SF-G64T	64 GB
Sony	Tough SF-G128T	128 GB
Toshiba	Exceria Pro UHS-II 270MB/s SDXC	64 GB
Toshiba	Exceria Pro UHS-II 270MB/s SDXC	128 GB
Toshiba	Exceria Pro UHS-II N502 SDXC	128 GB

Recomendamos los siguientes modelos SD para grabar en formato ProRes HQ DCI 4K a una velocidad máxima de 60 f/s.

Marca	Modelo	Capacidad
Angelbird	AV PRO SD V90	64 GB
Delkin Devices	Power SDXC USH-II	64 GB
Delkin Devices	Prime SDXC USH-II	128 GB
ProGrade Digital	V90 UHS-II 250MB/s SDXC	128 GB
ProGrade Digital	V90 UHS-II 250MB/s SDXC	256 GB
Sony	Tough SF-G32T	32 GB
Sony	Tough SF-G64T	64 GB
Sony	Tough SF-G128T	128 GB
Wise	SD2-64U3 SDXC UHS-II	64 GB
Wise	SD2-128U3 SDXC UHS-II	128 GB
Toshiba	Exceria Pro UHS-II N502 SDXC	128 GB

Recomendamos los siguientes modelos SD para grabar en formato ProRes 422 HQ 1080 a una velocidad máxima de 120 f/s.

Marca	Modelo	Capacidad
Angelbird	AV PRO SD V90	64 GB
Delkin Devices	Power SDXC USH-II	64 GB
Delkin Devices	Prime SDXC USH-II	128 GB
Lexar	Professional 2000x UHS-II 300MB/s SDXC	64 GB
Lexar	Professional 2000x UHS-II 300MB/s SDXC	128 GB
ProGrade Digital	V90 UHS-II 250MB/s SDXC	256 GB
Sony	Tough SF-G32T	32 GB
Sony	Tough SF-G64T	64 GB

Marca	Modelo	Capacidad
Sony	Tough SF-G128T	128 GB
Toshiba	Exceria Pro UHS-II 270MB/s SDXC	64 GB
Toshiba	Exceria Pro UHS-II 270MB/s SDXC	128 GB
Toshiba	Exceria Pro UHS-II N502 SDXC	128 GB
Toshiba	Exceria Pro UHS-II N502 SDXC	256 GB
Wise	SD2-64U3 SDXC UHS-II	64 GB
Wise	SD2-128U3 SDXC UHS-II	128 GB

Para el modelo Pocket Cinema Camera 4K

Recomendamos los siguientes modelos SD para grabar en formato Blackmagic RAW 12:1 DCI 4K a una velocidad máxima de 30 f/s.

Marca	Modelo	Capacidad
Angelbird	AV PRO SD V90	64 GB
Delkin Devices	Power UHS-II SDXC	64 GB
Delkin Devices	Power UHS-II SDXC	128 GB
Lexar	Professional 2000x UHS-II 300MB/s SDXC	64 GB
ProGrade Digital	V90 UHS-II 250MB/s SDXC	256 GB
SanDisk	Extreme Pro UHS-I 95MB/s SDXC	512 GB
Sony	Tough SF-G64T	64 GB
Sony	Tough SF-G128T	128 GB
Sony	SF-G64 300MB/s UHS-II SDXC	64 GB
Toshiba	Exceria Pro UHS-II N502 SDHC	32 GB
Toshiba	Exceria Pro UHS-II 270MB/s SDXC	64 GB
Wise	SD2-64U3 SDXC UHS-II	64 GB
Wise	SD2-128U3 SDXC UHS-II	128 GB
Wise	SD2-128U3 SDXC UHS-II	128 GB

Recomendamos los siguientes modelos SD para grabar en formato ProRes HQ DCI 4K a una velocidad máxima de 60 f/s.

Marca	Modelo	Capacidad
Wise	SD2-64U3 SDXC UHS-II	64 GB
Wise	SD2-128U3 SDXC UHS-II	128 GB
Sony	Tough SF-G64T	64 GB
Sony	Tough SF-G128T	128 GB

Recomendamos los siguientes modelos SD para grabar en formato RAW DCI 4K 4:1 a una velocidad máxima de 60 f/s en la versión.

Marca	Modelo	Capacidad
Sony	Tough SF-G64T	64 GB
Sony	Tough SF-G128T	128 GB
Toshiba	Exceria Pro UHS-II N502 SDXC	32 GB

Recomendamos los siguientes modelos SD para grabar en formato RAW DCI 4K sin pérdida de información a una velocidad máxima de 24 f/s.

Marca	Modelo	Capacidad
Wise	SD2-64U3 SDXC UHS-II	64 GB
Wise	SD2-128U3 SDXC UHS-II	128 GB
Toshiba	Exceria Pro UHS-II N502 SDXC	32 GB
Sony	Tough SF-G64T	64 GB
Sony	Tough SF-G128T	128 GB

Recomendamos los siguientes modelos para grabar en formato RAW sin pérdida de información a una resolución máxima de 1080p60.

Marca	Modelo	Capacidad
Wise	SD2-64U3 SDXC UHS-II	64 GB
Wise	SD2-128U3 SDXC UHS-II	128 GB
Sony	Tough SF-G64T	64 GB
Sony	Tough SF-G128T	128 GB
Toshiba	Exceria Pro UHS-II N502 SDXC	32 GB
Toshiba	Exceria Pro UHS-II N502 SDXC	64 GB
Toshiba	Exceria Pro UHS-II N502 SDXC	128 GB
Toshiba	Exceria Pro UHS-II N502 SDXC	256 GB
Sony	Tough SF-G128T	128 GB

Unidades SSD USB-C

Para el modelo Pocket Cinema Camera 6K

Recomendamos los siguientes modelos para grabar en formato Blackmagic RAW 5:1 6K a una velocidad máxima de 50 f/s.

Marca	Modelo	Capacidad
Wise	PTS-1024 Portable SSD	1 TB

Recomendamos los siguientes modelos para grabar en formato Blackmagic RAW 5:1 6K 2.4:1 a una velocidad máxima de 60 f/s.

Marca	Modelo	Capacidad
Samsung	Portable SSD T5	250 GB
Samsung	Portable SSD T5	2 TB
Wise	PTS-1024 Portable SSD	1 TB

Recomendamos los siguientes modelos para grabar en formato Blackmagic RAW 3:1 2.8K 17:9 a una velocidad máxima de 120 f/s.

Marca	Modelo	Capacidad
Samsung	Portable SSD T5	250 GB
Samsung	Portable SSD T5	2 TB
Wise	PTS-512 Portable SSD	512 GB
Wise	PTS-1024 Portable SSD	1 TB

Recomendamos los siguientes discos USB-C para grabar en formato ProRes HQ DCI 4K a una velocidad máxima de 60 f/s.

Marca	Modelo	Capacidad
Samsung	Portable SSD T5	250 GB
Samsung	Portable SSD T5	1 TB
Samsung	Portable SSD T5	2 TB
SanDisk	Extreme Portable SSD	1 TB
Wise	PTS-512 Portable SSD	512 GB
Wise	PTS-1024 Portable SSD	1 TB
Wise	PTS-1024 Portable SSD	1 TB

Recomendamos los siguientes discos USB-C para grabar en formato ProRes 422 HQ 1080 a una velocidad máxima de 120 f/s.

Marca	Modelo	Capacidad
Samsung	Portable SSD T5	250 GB
Samsung	Portable SSD T5	1 TB
Samsung	Portable SSD T5	2 TB
SanDisk	Extreme Portable SSD	1 TB
Wise	PTS-512 Portable SSD	512 GB
Wise	PTS-1024 Portable SSD	1 TB
Wise	PTS-1024 Portable SSD	1 TB

Para el modelo Pocket Cinema Camera 4K

Recomendamos los siguientes discos USB-C para grabar en formato Blackmagic RAW 3:1 DCI 4K a una velocidad máxima de 60 f/s.

Marca	Modelo	Capacidad
Angelbird	SSD2GO PKT	512 GB
Angelbird	SSD2GO PKT	2 TB
G-Technology	G-DRIVE Mobile SSD	1 TB
Samsung	Portable SSD T5	2 TB
Wise	PTS-512 Portable SSD	512 GB

Recomendamos los siguientes discos USB-C para grabar en formato ProRes HQ DCI 4K a una velocidad máxima de 60 f/s.

Marca	Modelo	Capacidad
Angelbird	SSD2GO PKT	512 GB
Angelbird	SSD2GO PKT	2 TB
Glyph	Atom	500 GB
Lacie	Portable SSD	500 GB
Samsung	Portable SSD T5	500 GB
Samsung	Portable SSD T5	1 TB
SanDisk	Extreme Portable SSD	1 TB
Seagate	Fast SSD	250 GB
Wise	PTS-256 Portable SSD	256 GB
Wise	PTS-512 Portable SSD	512 GB
Wise	PTS-1024 Portable SSD	1 TB

Recomendamos los siguientes discos USB-C para grabar en formato RAW DCI 4K sin pérdida de información a una velocidad máxima de 30 f/s.

Marca	Modelo	Capacidad
Angelbird	SSD2GO PKT	512 GB
Angelbird	SSD2GO PKT	2 TB
Samsung	Portable SSD T5	1 TB
Wise	PTS-256 Portable SSD	256 GB
Wise	PTS-512 Portable SSD	512 GB
Wise	PTS-1024 Portable SSD	1 TB

Recomendamos los siguientes discos USB-C para grabar en formato RAW 3:1 DCI 4K a una velocidad máxima de 60 f/s.

Marca	Modelo	Capacidad
Angelbird	SSD2GO PKT	512 GB
Angelbird	SSD2GO PKT	2 TB
Samsung	Portable SSD T5	500 GB
Samsung	Portable SSD T5	1 TB
Wise	PTS-256 Portable SSD	256 GB
Wise	PTS-512 Portable SSD	512 GB
Wise	PTS-1024 Portable SSD	1 TB

Ayuda

Visite nuestra página de soporte técnico a fin de obtener ayuda rápidamente y acceder al material de apoyo más reciente para los productos descritos en este manual.

Página de soporte técnico

Las versiones más recientes de este manual, los distintos programas mencionados y el material de apoyo se encuentran disponibles en nuestra página de soporte técnico.

Cómo ponerse en contacto con Blackmagic Design

Si no encuentra la ayuda que necesita, solicite asistencia mediante el botón **Enviar correo electrónico**, situado en la parte inferior de nuestra página de soporte técnico. De manera alternativa, haga clic en el botón **Soporte técnico local** para acceder al número telefónico del centro de atención más cercano.

Cómo comprobar la versión del software instalado

Para comprobar la versión del programa utilitario instalada en el equipo informático, seleccione la opción **About Blackmagic Camera Setup**.

- En macOS, ejecute el programa desde la carpeta de aplicaciones. Seleccione el menú **About Blackmagic Camera Setup** en la barra superior de la ventana para ver el número de la versión.
- En Windows, ejecute el programa Blackmagic Camera Setup haciendo clic en el ícono situado en el menú **Inicio**. Acceda al menú **Ayuda** y seleccione la opción **About Blackmagic Camera Setup** para ver el número de versión.

Cómo obtener las actualizaciones más recientes

Después de verificar la versión del programa instalado, visite el centro de soporte técnico de Blackmagic Design para comprobar si hay actualizaciones disponibles. Aunque generalmente es recomendable instalar las versiones más recientes, evite realizar modificaciones al sistema operativo interno de la cámara si se encuentra en medio de un proyecto importante.

Normativas

Desecho de equipos eléctricos y electrónicos en la Unión Europea:



Este símbolo indica que el dispositivo no debe desecharse junto con otros residuos domésticos. A tales efectos, es preciso llevarlo a un centro de recolección para su posterior reciclaje. Esto ayuda a preservar los recursos naturales y garantiza que dicho procedimiento se realice protegiendo la salud y el medioambiente. Para obtener más información al respecto, comuníquese con el distribuidor o el centro de reciclaje más cercano.

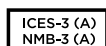


Según las pruebas realizadas, este equipo cumple con los límites indicados para dispositivos digitales Clase A, en conformidad con la sección 15 de las normas establecidas por la Comisión Federal de Comunicaciones. Esto permite proporcionar una protección razonable contra interferencias nocivas al operar el dispositivo en un entorno comercial. Este equipo usa, genera y puede irradiar energía de radiofrecuencia, y si no se instala o utiliza de acuerdo con el manual de instrucciones, podría ocasionar interferencias nocivas para las comunicaciones radiales. El funcionamiento de este equipo en una zona residencial podría ocasionar interferencias nocivas, en cuyo caso el usuario deberá solucionar dicho inconveniente por cuenta propia.

El funcionamiento de este equipo está sujeto a las siguientes condiciones:

- 1 El dispositivo no debe causar interferencias nocivas.
- 2 El dispositivo debe admitir cualquier interferencia recibida, incluidas aquellas que pudieran provocar un funcionamiento incorrecto del mismo.

Declaración ISED (Canadá)



Esta cámara cumple con los estándares canadienses para dispositivos digitales Clase A.

Cualquier modificación o uso indebido del mismo podría acarrear un incumplimiento de dichas normas.

Las conexiones a interfaces HDMI deberán realizarse mediante cables blindados.

Este equipo cumple con las normas descritas anteriormente al emplearse en entornos comerciales. Nótese que podría causar interferencia radial si se utiliza en el ámbito doméstico.

Bluetooth

Este dispositivo dispone de tecnología Bluetooth.

Incluye módulo transmisor. Identificación FCC: QOQBGM113

Este dispositivo cumple con los límites de exposición a la radiación establecidos para un entorno no controlado.

Incluye módulo transmisor. Identificación IC: 5123A-BGM113

Este dispositivo cumple con los límites de exposición a las ondas electromagnéticas establecidos por el gobierno de Canadá. Como tal, no requiere una licencia y está exento de las evaluaciones habituales llevadas a cabo para determinar la absorción específica de tales ondas, según lo dispuesto en la versión 5 de las especificaciones RSS-102.

Certificado en Japón. Número de certificación: 209-J00204. Este dispositivo contiene componentes radioeléctricos certificados según las normas técnicas establecidas en la Ley de Radiocomunicación.

Este módulo ha sido certificado en Corea del Sur. Número de certificación:
MSIP-CRM-BGT-BGM113

Blackmagic Design declara por este medio que el uso de la banda ISM 2.4 GHz para la transmisión de señales mediante este modelo cumple con las normas de la Directiva 2014/53/EU.

Envíe un correo electrónico a compliance@blackmagicdesign.com para solicitar el texto completo de la declaración de conformidad.

Seguridad

Los modelos Blackmagic Pocket Cinema Camera pueden utilizarse en climas tropicales a una temperatura máxima de 40 °C.

La reparación de los componentes internos del equipo no debe ser llevada a cabo por el usuario. Comuníquese con nuestro centro de atención más cercano para obtener información al respecto.

Aconsejamos resguardar la cámara a la sombra en exteriores para prevenir la exposición del equipo o la batería de litio a la luz solar durante períodos prolongados. Mantenga las baterías de litio alejadas de cualquier fuente de calor.



Evite utilizar el adaptador incluido a una altura mayor de 2000 metros.

Declaración del Estado de California

Las partes plásticas de este producto pueden contener trazas de compuestos químicos, tales como polibromobifenilos (PBB), que el Estado de California reconoce como causantes de cáncer, anomalías congénitas o daños reproductivos.

Consulte el sitio www.P65Warnings.ca.gov para obtener más información al respecto.

Garantía

Garantía limitada

Blackmagic Design garantiza que el producto adquirido no presentará defectos en los materiales o en su fabricación por un período de 12 meses a partir de la fecha de compra. Si el producto resulta defectuoso durante el período de validez de la garantía, Blackmagic Design podrá optar por reemplazarlo o repararlo sin cargo alguno por concepto de piezas y/o mano de obra.

Para acceder al servicio proporcionado de acuerdo con los términos de esta garantía, el Cliente deberá dar aviso del defecto a Blackmagic Design antes del vencimiento del período de garantía y encargarse de los arreglos necesarios para la prestación del mismo. El Cliente será responsable del empaque y el envío del producto defectuoso al centro de servicio técnico designado por Blackmagic Design y deberá abonar las tarifas postales por adelantado. El Cliente será responsable de todos los gastos de envío, seguros, aranceles, impuestos y cualquier otro importe que surja con relación a la devolución de productos por cualquier motivo.

Esta garantía carecerá de validez ante defectos o daños causados por un uso indebido del producto, o por falta de cuidado y mantenimiento. Según los términos estipulados, Blackmagic Design no tendrá obligación alguna de (a) reparar daños provocados por intentos de personal ajeno a Blackmagic Design de instalar el producto, repararlo o realizar un mantenimiento del mismo; (b) reparar daños resultantes del uso de equipos incompatibles o conexiones a los mismos; (c) reparar cualquier daño o mal funcionamiento provocado por el uso de piezas o repuestos no suministrados por Blackmagic Design; o (d) brindar servicio técnico a un producto que haya sido modificado o integrado con otros productos, cuando dicha modificación o integración tenga como resultado un aumento de la dificultad o el tiempo necesario para reparar el producto.

ESTA GARANTÍA OFRECIDA POR BLACKMAGIC DESIGN REEMPLAZA CUALQUIER OTRA GARANTÍA, EXPRESA O IMPLÍCITA. POR MEDIO DE LA PRESENTE, BLACKMAGIC DESIGN Y SUS DISTRIBUIDORES RECHAZAN CUALQUIER GARANTÍA IMPLÍCITA DE COMERCIALIZACIÓN O IDONEIDAD PARA UN PROPÓSITO PARTICULAR. LA RESPONSABILIDAD DE BLACKMAGIC DESIGN EN CUANTO A LA REPARACIÓN O SUSTITUCIÓN DE PRODUCTOS DEFECTUOSOS CONSTITUYE UNA COMPENSACIÓN COMPLETA Y EXCLUSIVA PROPORCIONADA AL CLIENTE POR CUALQUIER DAÑO INDIRECTO, ESPECIAL, FORTUITO O EMERGENTE, AL MARGEN DE QUE BLACKMAGIC DESIGN O SUS DISTRIBUIDORES HAYAN SIDO ADVERTIDOS CON ANTERIORIDAD SOBRE LA POSIBILIDAD DE TALES DAÑOS. BLACKMAGIC DESIGN NO SE HACE RESPONSABLE POR EL USO ILEGAL DE EQUIPOS POR PARTE DEL CLIENTE. BLACKMAGIC DESIGN NO SE HACE RESPONSABLE POR DAÑOS CAUSADOS POR EL USO DE ESTE PRODUCTO. EL USUARIO UTILIZA EL PRODUCTO BAJO SU PROPIA RESPONSABILIDAD.

© Copyright 2019 Blackmagic Design. Todos los derechos reservados. «Blackmagic Design», «URSA», «DeckLink», «HDLink», «Workgroup Videohub», «Multibrige Pro», «Multibrige Extreme», «Intensity» y «Leading the creative video revolution» son marcas registradas en EE. UU. y otros países. Todos los demás nombres de compañías y productos pueden ser marcas comerciales de las respectivas empresas a las que estén asociados.

El término «Bluetooth» y el logotipo correspondiente son propiedad de Bluetooth SIG, Inc. Blackmagic Design cuenta con autorización para hacer uso de los mismos. Otros nombres comerciales y marcas registradas pertenecen a sus respectivos propietarios.



安装操作手册

Blackmagic Pocket Cinema Camera

包含Blackmagic Pocket Cinema Camera 6K
和Blackmagic Pocket Cinema Camera 4K

2019年11月

中文



欢迎辞

感谢您购买新品Blackmagic Pocket Cinema Camera!

2013年时, 我们推出了原版Blackmagic Pocket Cinema Camera。这款摄影机有着令我们引以为豪的小巧设计、高动态范围和突破性的画质。但是我们并未止步于此, 而是认真聆听用户的反馈, 终于在2018年推出了Blackmagic Pocket Cinema Camera 4K版。如今, 我们再接再厉, 推出Blackmagic Pocket Cinema Camera 6K!

Blackmagic Pocket Cinema Camera 6K搭载Super 35mm传感器和EF镜头卡口。Blackmagic Pocket Cinema Camera 4K则搭载与原版Pocket Cinema Camera相同的MFT镜头卡口, 可使用任何一款MFT镜头。Blackmagic Pocket Cinema Camera 4K可在CFast卡或UHS-II型SD卡上记录高达每秒60帧的4K视频影像, 以及高达每秒120帧的HD视频影像。Blackmagic Pocket Cinema Camera 6K在此性能基础上进一步拓展, 能记录每秒120帧的2.8K视频影像, 以及高达每秒60帧的6K视频影像! 您可以利用摄影机上的USB-C端口在外接硬盘上记录, 然后只要将硬盘从摄影机上拔出, 直接插入计算机就能立即开始文件制作流程。

摄影机拥有13挡动态范围和双原生ISO设计, 不论何种照明条件下都能记录获得优美纯净的电影画质。它自带5英寸LCD触摸屏, 可快速查看对焦和画面细节, 明亮日光下也可清楚查看各项信息。同时, 它的四个内置麦克风还能直接在摄影机内部记录高品质音频!

Blackmagic Pocket Cinema Camera机身由碳纤维强化复合材料打造而成, 坚固耐久并兼顾轻质便携的优点, 可随身携带。摄影机可通过标准LP-E6电池、AC电源适配器或外部12V DC电源运行。同时, 摄影机还支持我们的Blackmagic RAW编解码格式, 让您在一个文件里就能获得灵活的RAW处理功能, 降低文件大小的同时大幅提升表现。

期待能一睹您使用新款Blackmagic Pocket Cinema Camera摄影机完成的创意佳作。同时, 也欢迎您就摄影机有待添加的各项新功能向我们提出宝贵意见!

A stylized, handwritten signature in black ink that reads "Grant Petty".

Grant Petty

Blackmagic Design首席执行官

目录

Blackmagic Pocket Cinema Camera

您使用的是哪款摄影机?	725	设置	793
入门	726	预设	802
安装镜头	726	3D LUT	804
启动摄影机	727	录入元数据	807
使用Blackmagic Pocket Camera Battery Grip	727	场记板	807
使用内附的电源线为摄影机供电	729	摄影机视频输出	812
存储介质	730	使用DaVinci Resolve	813
CFast卡	730	项目管理器	813
SD卡	731	使用快编页面剪辑	814
USB-C硬盘	733	将片段添加到时间线	817
存储介质在记录前的准备事项	735	在时间线上编辑片段	818
在Blackmagic Pocket Cinema Camera上格式化存储介质	735	添加标题	818
在Mac计算机上格式化存储介质	737	使用Blackmagic RAW文件	819
在Windows计算机上格式化存储介质	738	使用调色页面为片段调色	822
记录	739	添加Power Window	825
记录片段	739	使用插件	827
Blackmagic RAW	740	混合音频	828
以Blackmagic RAW记录	741	在Fusion页面添加视觉特效和合成效果	832
最高传感器帧率	743	制作母版剪辑	841
记录时长	745	快速导出	841
播放	750	交付页面	842
摄影机功能	751	使用第三方软件	843
摄影机正面	751	处理CFast 2.0卡和SD卡上的文件	843
右侧	752	处理USB-C硬盘上的文件	843
左侧	752	使用Final Cut Pro X	844
顶板	754	使用Avid Media Composer 2018	844
摄影机底部	755	使用Adobe Premiere Pro CC	845
摄影机背面	756	Blackmagic Camera Setup Utility	
触摸屏控制	757	实用软件	846
设置	778	建议使用的记录存储介质	847
主菜单	778	CFast 2.0卡	847
记录设置	778	SD卡	853
文件命名格式	783	USB-C SSD	856
监看设置	784	帮助	860
音频设置	790	监管告知	861
		安全信息	862
		保修	863

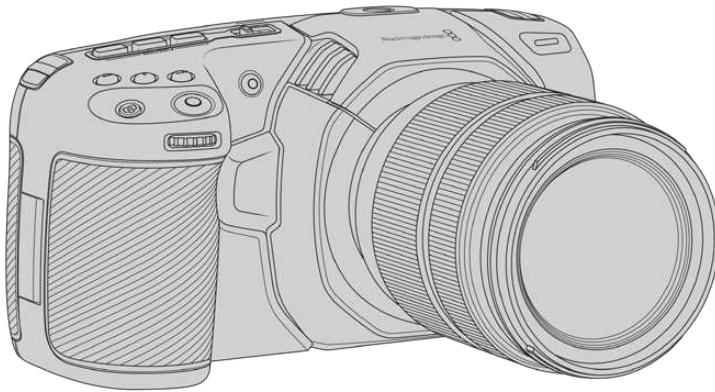
您使用的是哪款摄影机？

Blackmagic Pocket Cinema Camera 6K和Blackmagic Pocket Cinema Camera 4K机型有着相似的外观。两款摄影机都能拍摄出拥有超宽动态范围的影像，并且都采用相同的机身设计。此外，控制按钮和软件菜单布局，以及摄影机的操控也基本一致。

Blackmagic Pocket Cinema Camera 6K搭载Super 35mm尺寸传感器和EF镜头卡口，并且卡口上方标有“6K”字样图标。Blackmagic Pocket Cinema Camera 4K搭载MFT尺寸传感器和MFT镜头卡口。



Blackmagic Pocket Cinema Camera 6K



Blackmagic Pocket Cinema Camera 4K

入门

Blackmagic Pocket Cinema Camera是一款小巧便携的数字电影摄影机，它能在CFast 2.0卡、UHS-I和UHS-II型SD卡以及SSD硬盘（通过USB-C端口连接）记录获得高品质影像。Pocket Cinema Camera能以Blackmagic RAW和ProRes等专为后期制作而设计的专业级编解码格式记录素材片段。

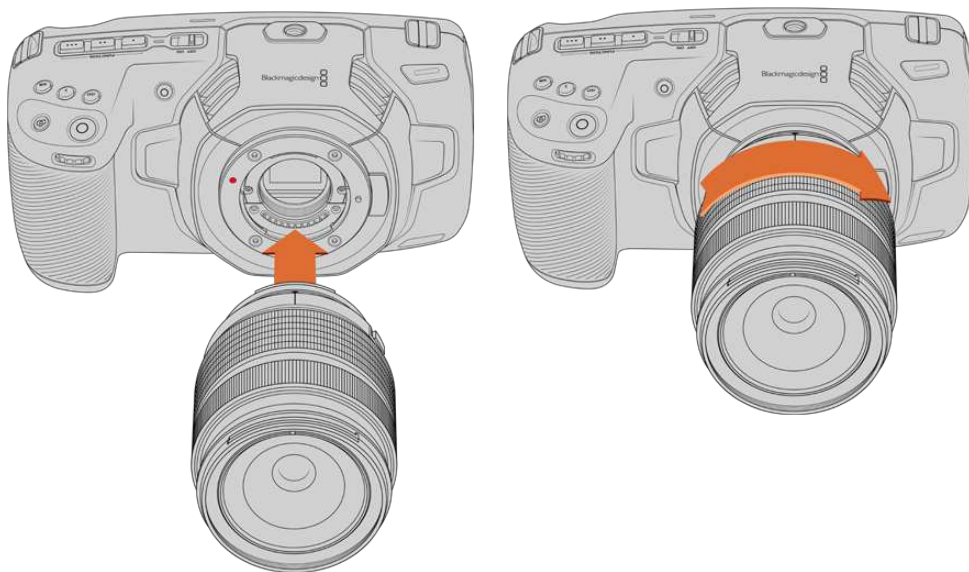
为Blackmagic Pocket Cinema Camera安装镜头并开启摄影机即可开始使用。

安装镜头

Blackmagic Pocket Cinema Camera 6K使用EF镜头，Blackmagic Pocket Cinema Camera 4K使用MFT镜头。这两类镜头都十分常见，且价格低廉，种类繁多。为Blackmagic Pocket Cinema Camera 6K和Pocket Cinema Camera 4K机型安装镜头的步骤是一样的。第一步是取下镜头防尘盖。先按住锁定按钮，同时逆时针转动防尘盖，待其松开后即可取下。

安装主动式EF或MFT镜头卡口步骤如下：

- 1 将镜头的标志点与机身的镜头卡口标志点对齐。很多镜头都带标志点，可以是蓝色、红色或白色。
- 2 将镜头卡口按在摄影机卡口上，顺时针扭动镜头直到锁定到位。
- 3 取下镜头时，先按住锁定按钮，再逆时针旋转镜头直至其标志点对准摄影机顶部10点钟方向（MFT镜头）或12点钟方向（EF镜头），将镜头从卡口小心取下。



为Blackmagic Pocket Cinema Camera 4K安装MFT镜头

备注 没有安装镜头时，请盖上镜头卡口防尘盖，以防止摄影机传感器上的滤光片暴露在灰尘中。

启动摄影机

完成镜头安装后, 接下来要做的是为摄影机连接电源。Blackmagic Pocket Cinema Camera可通过以下几种方法获得电源: 为摄影机安装LP-E6电池, 使用Blackmagic Pocket Camera Battery Grip电池手柄内的两块NP-F570电池, 或者将内附的电源适配器连接到电源输入接口。

安装电池并开启摄影机

摄影机使用标准LP-E6型可更换电池。摄影机自带一块电池, 但是如果您需要添加电池, 请从Blackmagic Design经销商处, 或者大多数视听照相器材店购买这款电池。

- 1 找到位于摄影机底部的电池仓, 轻轻推按槽盖将其打开。
- 2 将LP-E6型电池的接触点朝向电池仓内部并轻轻推入, 直至电池扣入锁梢到位。

提示 取出电池时, 将锁梢朝向摄影机正面方向轻推, 电池便可弹出。

- 3 关闭电池仓盖, 轻推直至关闭到位。
- 4 将摄影机顶部的电源开关拨至“ON”的位置。将开关拨至“OFF”的位置可关闭摄影机。

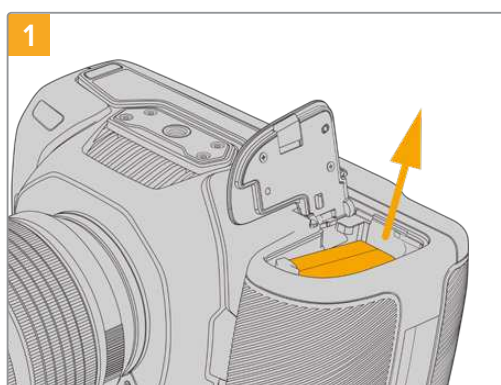
使用Blackmagic Pocket Camera Battery Grip

如果您购买了Blackmagic Pocket Camera Battery Grip, 不妨先安装这款电池手柄, 然后再继续接下来的操作。Blackmagic Pocket Camera Battery Grip的设计贴合Pocket Cinema Camera 6K和Pocket Cinema Camera 4K机型。

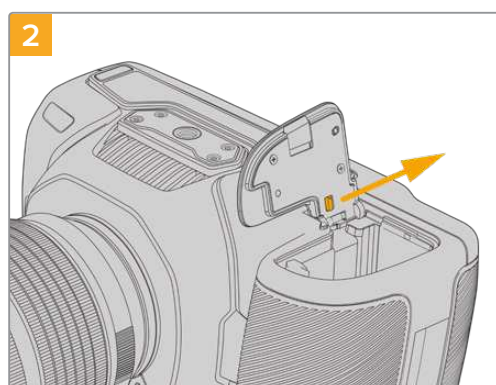
这款配件能为摄影机添加一个横向手柄, 并含有两块NP-F570 L系列电池, 可实现长达两小时以上的不间断拍摄。12V DC输入接口可为手柄中的电池充电, 也可在您更换电池时为摄影机提供不间断电源。摄影机关机时, 您可以使用USB-C端口为手柄中的电池充电。

Blackmagic Pocket Camera Battery Grip安装步骤:

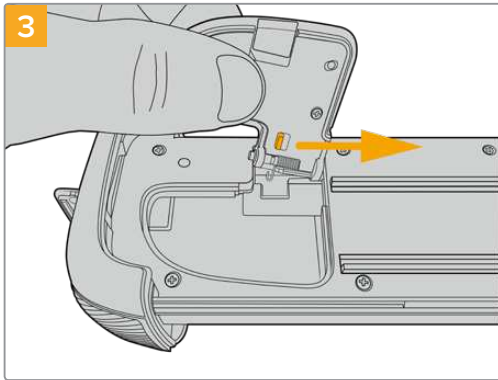
安装Blackmagic Pocket Camera Battery Grip前, 请先关闭您的Pocket Cinema Camera, 并断开任何外接电源。



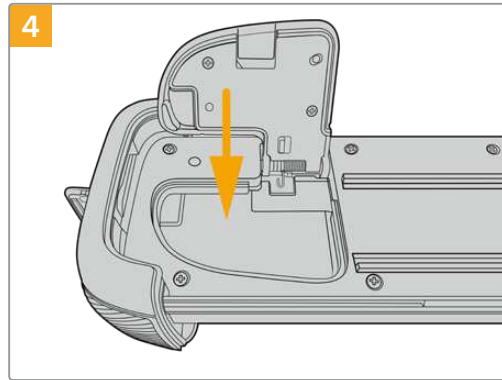
1 打开摄影机电池槽保护盖, 取出里面的LP-E6电池。



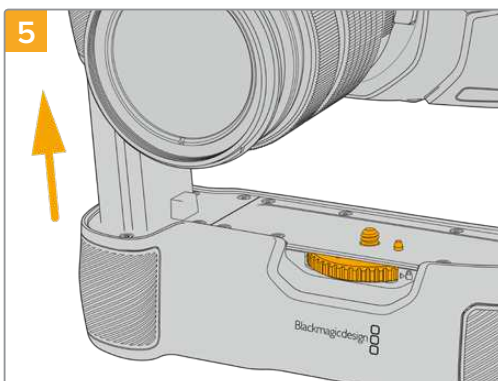
2 沿着电池槽保护盖与机身的连接处位置滑动, 从摄影机上取下保护盖。



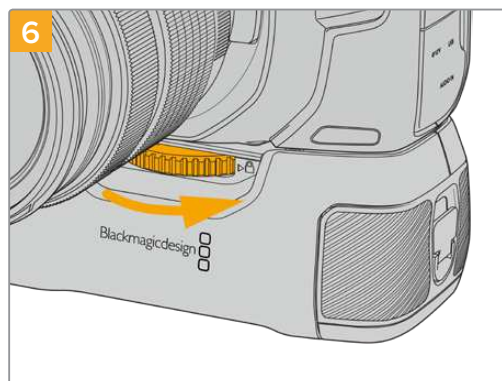
为了防止电池槽保护盖遗失, 请将其扣入电池手柄槽内部设计的凹槽。



关闭电池槽保护盖, 使其平整卡入并固定在电池手柄槽内部设计的凹槽。

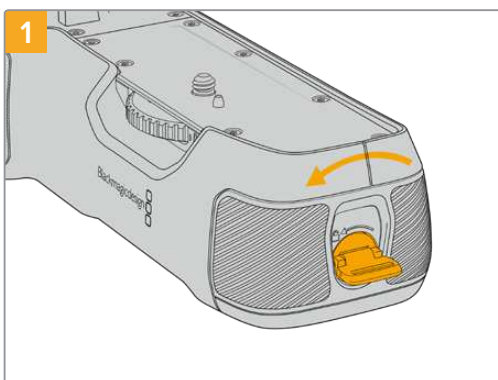


将手柄电池形状的部分插入摄影机的电池槽内。电池手柄顶部的1/4英寸螺丝应与摄影机底部的1/4-20安装孔对齐。1/4英寸螺丝一侧的小型定位销可有助于保持准确对齐。

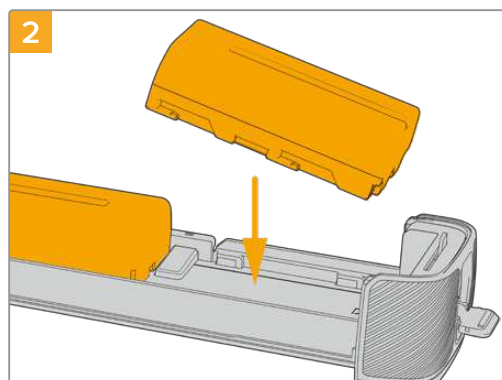


向右侧拨动电池手柄正面的旋钮旋紧螺丝, 将电池手柄牢固固定在摄影机上。

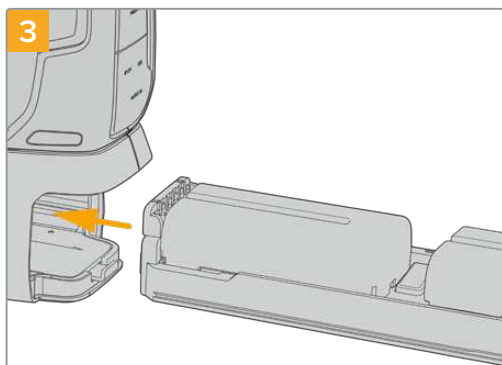
Blackmagic Pocket Camera Battery Grip 电池安装步骤:



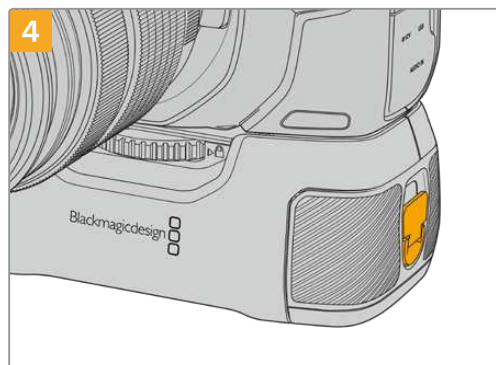
逆时针旋转电池手柄尾部的锁定开关, 打开电池槽。将电池槽滑出。将Blackmagic Pocket Battery Grip安装到摄影机前后都可执行这一操作。



将两块NP-F570电池放入电池槽, 安装时请注意电池朝向, 然后将两块电池逆向滑入电池槽。电池之间的锁定扣向上弹起后, 表示电池锁定到位。移除电池时, 按下锁定扣, 将两块电池相向滑动即可取出。



将电池槽滑入电池手柄，顺时针旋转电池手柄尾部的锁定开关。请注意，如果摄影机的DC电源输入口连接了外部电源，您可以在更换手柄内部电池的时候继续拍摄。



顺时针旋转电池手柄尾部的锁定开关，锁定电池槽。

提示 当您连接了Blackmagic Pocket Camera Battery Grip电池手柄并安装了两块电池时，摄影机LCD触摸屏右上角的电池电量提示会显示两个电池图标，供您单独监控每块电池的充电情况。更多相关信息，请查阅“电源”部分的介绍。

使用内附的电源线为摄影机供电

内附的100–240V适配器可用于为摄影机提供电源，并同时为摄影机的LP-E6电池或Blackmagic Pocket Camera Battery Grip手柄（如有连接）的两块NP-F570电池充电。DC电源接口可锁紧固定到摄影机上，以防意外断开。

连接外部电源步骤如下：

- 1 将AC到12V DC适配器插入到您的主电源插座中。
- 2 打开摄影机左侧的橡胶保护盖，旋转DC电源接头的锁定环，使其和12伏DC电源输入接口上方的缺口对齐。将接头轻轻推向输入口，直至插入到位。
- 3 拔出接头时，只需取下护套并将接头从输入口移除即可断开连接。

同时连接外部电源和电池电源时，摄影机只使用外部电源。如果您在连接了已充电电池的情况下断开外部电源，摄影机会直接切换到电池电源，不会中断运行。

关机时，摄影机的LP-E6电池可通过USB接口充电。这一设计十分便捷，因为您可以在摄影机未使用时，通过便携式充电宝为摄影机充电。Blackmagic Pocket Cinema Camera支持通过标准10W USB插墙式充电器进行充电，也可以使用支持USB PD协议的充电器。USB PD充电器一般都具有一个USB-C类接口，支持最高20V输出，因此可实现快速充电。当摄影机开启或关闭时，用户可通过12V DC电源输入为LP-E6电池充电。

提示 如果在使用后立即为发热状态的电池充电，充电速度会下降，直至电池温度降至摄氏45度（华氏113度）以下。建议您先等待15分钟左右，待电池冷却后再行充电。

现在，您只要安装存储介质就可以开始记录了！

存储介质

Blackmagic Pocket Cinema Camera使用标准SD卡、更快的UHS-II卡或CFast 2.0卡记录视频。

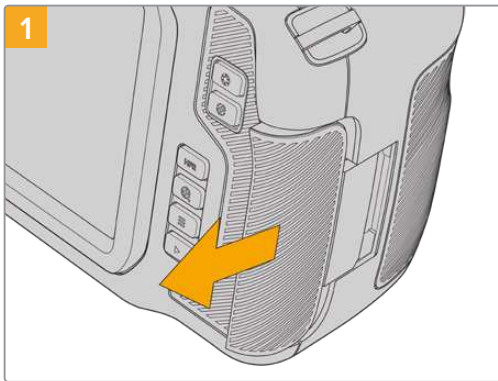
您还可以使用USB-C扩展端口连接大容量USB-C硬盘，实现更长的记录时间。

CFast卡

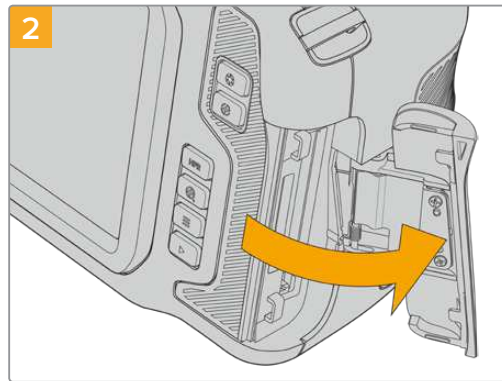
CFast 2.0卡足以支持非常高的数据速率，可记录高帧率6K、4K和HD视频。具体每个格式可记录的最高帧率请到“记录”章节中的时长表中查询。

备注 CFast 2.0卡的速度普遍较快，但是有些卡的写入速度可能会低于其读取速度，因此不同型号的最大数据速率也会有所不同。如果要使用您选择的帧率获得可靠的记录品质，请使用Blackmagic Design推荐的存储卡。

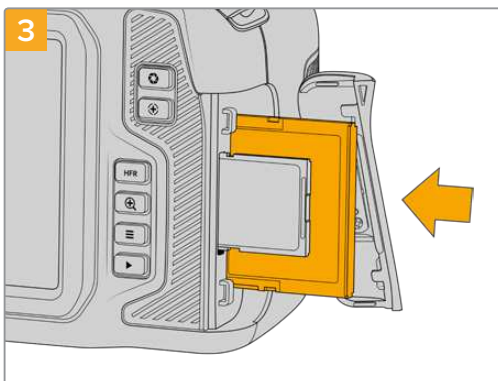
插入CFast卡步骤：



要找到存储卡槽，首先滑动摄影机背面右侧的存储卡槽保护盖。



弹簧门会顺势打开，露出CFast和SD存储卡槽。

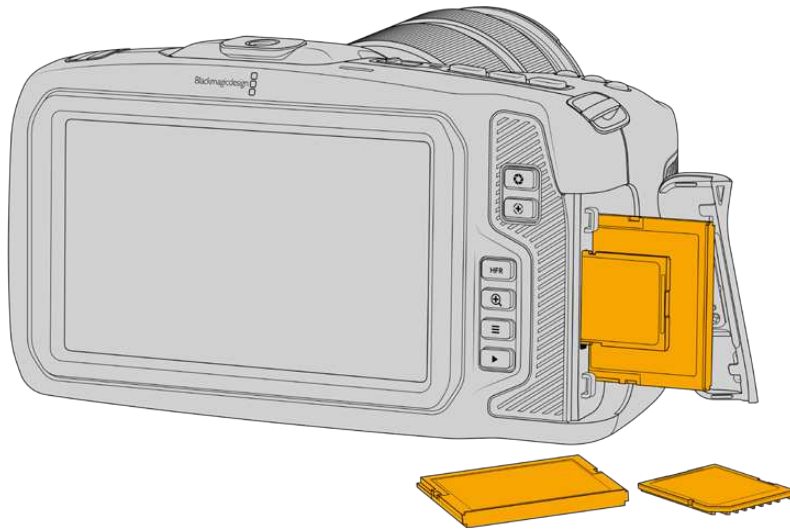


将CFast卡插入卡槽，直至锁定到位。无需过多外力即可插入存储卡。移除CFast卡时，只需向内轻推CFast卡即可将其释放并弹出。



LCD触摸屏底部的存储信息将显示检测到的CFast卡的名称和剩余记录时间。

SD卡的插入步骤和CFast卡类似。详情请参阅“插入SD卡步骤”部分的内容。



选择CFast 2.0卡

如果您的摄制工作涉及到数据速率较高的视频，请谨慎挑选您要使用的CFast卡。这是因为CFast 2.0卡具备不同的读写速度。

获得经Blackmagic Design测试并建议在Pocket Cinema Camera上使用的具体CFast 2.0存储卡清单，请查阅“建议使用的记录存储介质”部分的内容。

关于Blackmagic Pocket Cinema Camera摄影机支持使用的CFast卡的最新信息，请访问Blackmagic Design支持中心www.blackmagicdesign.com/cn/support。

SD卡

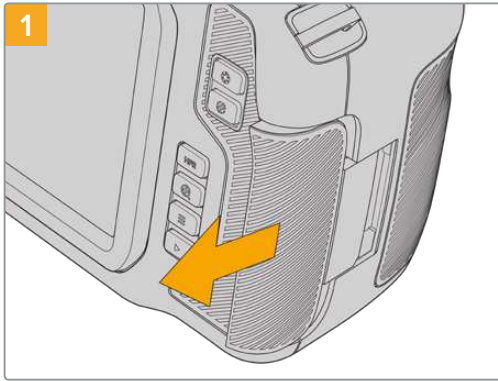
除了CFast 2.0卡之外，摄影机还可以在UHS-I和UHS-II型高速SD卡上记录。UHS-I SD卡是记录HD压缩视频格式所使用的经济型存储介质；UHS-II型卡速度更快，是记录Blackmagic RAW和ProRes格式Ultra HD内容的理想选择。

使用SD卡时，您可以在拍摄HD压缩视频格式时获得经济型存储方案。

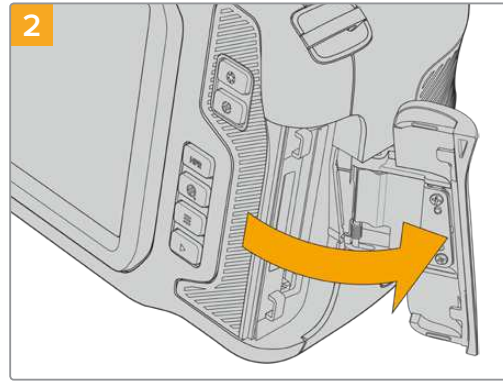
SDXC和SDHC都是消费级相机或视频摄像机非常常用的媒体文件存储格式。如果您使用数码单反拍摄视频，或使用Blackmagic Micro Cinema Camera、Pocket Cinema Camera或Blackmagic Video Assist进行拍摄，可能您手头已经有兼容的SD卡可以直接使用了。

如果项目不要求使用最高分辨率文件进行拍摄，或项目需要进行长时间记录，您可以使用SD卡来降低成本。容量较小、速度较慢的SD卡还可以用来存储和加载LUT和预设。

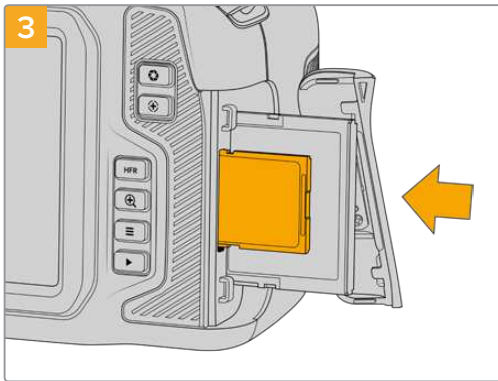
插入SD卡步骤:



要找到存储卡槽，首先滑动摄影机背面右侧的存储卡槽保护盖。



弹簧门会顺势打开，露出存储介质卡槽。



将SD卡的标签朝向触摸屏插入SD卡槽，直至锁定到位。无需过多外力即可插入存储卡。

移除SD卡时，只需向内轻推SD卡即可将其释放并弹出。



LCD触摸屏底部的存储信息将显示检测到的SD卡名称和剩余记录时间。

挑选SD卡

如果需要记录6K、4K DCI或Ultra HD影像，我们建议您使用目前最高速的UHS-II型SD卡。请务必使用高速UHS-II型SD卡从事6K、4K DCI、Ultra HD和HD影像记录，或者使用UHS-I型SD卡从事HD影像记录。因为这些卡有着快速的数据处理速度和较大的存储容量。通常来讲，卡的速度越快越好。

使用您的存储卡前，请先将其格式化为HFS+或exFAT格式。通过摄影机的“存储”设置即可格式化存储介质。关于存储设置的详情请参阅“设置”部分的内容。

您也可以使用Mac或Windows计算机来格式化您的存储卡。如果您在macOS系统上处理媒体文件，可使用HFS+格式，这是Mac计算机所使用的磁盘格式，也叫“OS X扩展格式”。如果您使用Windows系统，请选择exFAT格式，即Windows的磁盘格式，该格式在Mac计算机上也可读取。

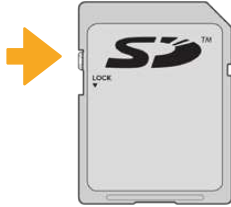
获得经Blackmagic Design测试并建议在Pocket Cinema Camera上使用的具体SD存储卡清单，请查阅“建议使用的记录存储介质”部分的内容。

关于Blackmagic Pocket Cinema Camera摄影机支持使用的SD卡的最新信息，请访问Blackmagic Design支持中心www.blackmagicdesign.com/cn/support。

备注 如果要从事高分辨率、高帧率记录，我们建议使用CFast 2.0或外部USB-C硬盘作为存储介质，因为此类存储介质速度更快，容量更大。

锁定和解锁SD卡

SD卡可进行写保护设置，即“锁定”，以防数据被覆盖。插入SD卡之前，请先确保该卡没有设写保护。如果要禁用写保护功能，滑动位于存储卡左侧的塑料开关，将其移动到最靠近触点的位置即可。记录后，您可随时将存储卡设为写保护锁定。



上下移动锁定开关可锁定或解锁SD卡

插入了启用写保护的SD卡时，Blackmagic Pocket Cinema Camera会检测到，并会在LCD触摸屏上原本显示记录时长的位置显示“锁定”字样，同时，存储菜单的存储卡名称一侧也会出现一个锁定图标。如果存储卡处于锁定状态，您将无法记录视频、采集静帧或导出LUT和预设，除非解除锁定。

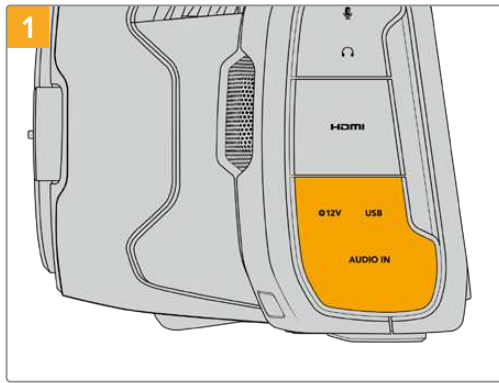


USB-C硬盘

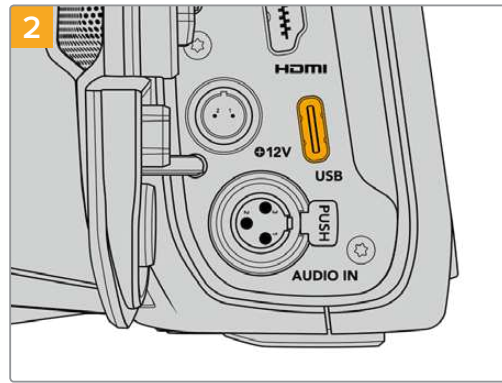
Blackmagic Pocket Cinema Camera搭载高速USB-C扩展端口，可直接将视频记录到USB-C硬盘上。这类存储盘速度快，容量大，可进行长时间视频记录，因此是电影类长片拍摄工作的理想之选。

完成记录后，您可以直接将存储盘连接到计算机上，无需复制媒体即可开始剪辑和后期制作。

连接USB-C硬盘步骤如下:



打开摄影机左侧的橡胶保护盖, 将线缆的另一端连接到USB-C端口。



将USB-C类线缆的一端连接到您的USB-C硬盘上。

备注 将USB-C硬盘连接到摄影机上时, 它会占用摄影机操作系统中的SD卡位置。也就是说, 当您连接了兼容的USB-C硬盘时, 摄影机的SD卡槽是不可用的。

如果要使用SD卡槽而不是USB-C硬盘, 请将USB-C硬盘从摄影机上断开。

选择高速USB-C硬盘

USB-C硬盘采用高速经济的存储设计方案, 适用于多种设备, 各类消费级电子产品商店均有销售。请务必注意, 电影制作只是USB-C硬盘市场的一小部分, 因此只有选择正确的存储盘才能确保足够的速度来记录6K和4K影像。

许多USB-C硬盘只为家用电脑设计, 并不足以记录6K和4K视频。

获得经Blackmagic Design测试并建议在Pocket Cinema Camera上使用的具体USB-C硬盘清单, 请查阅“建议使用的记录存储介质”部分的内容。

获取最新的USB-C硬盘推荐列表, 请访问网址www.blackmagicdesign.com/cn/support。

USB-C硬盘速度注意事项

部分型号的USB-C硬盘并不能以生产厂家给出的速度保存视频数据。因为这些存储盘采用隐藏数据压缩技术来实现更高的录入速度。只有当存储空白数据或简单文件时, 这种数据压缩才能以生产商声称的速度来保存数据。视频数据中包含不规则性更高的视频噪点和像素等, 所以压缩无法起效, 从而揭露了磁盘的真实速度。

有些USB-C硬盘的写入速度最多可以比生产商声称的速度低50%。所以, 尽管存储盘规格中声称该USB-C硬盘速度足够处理视频, 但真正进行实时视频拍摄时, 这类存储盘的速度往往不够快。

通过Blackmagic Disk Speed Test测速软件来准确衡量您的USB-C硬盘是否足以应对高数据速率视频的采集和播放。该测速软件通过数据来模拟视频的储存情况, 因此获得的数据与往硬盘采集视频的结果相类似。在Blackmagic测试中, 我们发现型号较新、容量较大的USB-C硬盘和容量更大的USB-C硬盘通常具备更快的读写速度。

Blackmagic Disk Speed Test可从Mac的App Store下载。Blackmagic Desktop Video提供Windows和macOS版本, 您可前往Blackmagic Design网站支持中心的“采集和播放”部分进行下载, 网址: www.blackmagicdesign.com/cn/support。

存储介质在记录前的准备事项

您可以使用摄影机的存储和格式化菜单下的“格式化存储卡”功能来对CFast卡、SD卡和USB-C硬盘进行格式化操作，也可以通过Mac或Windows计算机实现格式化操作。为获得最佳性能，我们建议您使用摄影机来格式化存储介质。

HFS+也被称为OS X扩展格式，因为它支持“日志功能”，所以被广为推荐。一旦发生存储介质损坏的情况，具有日志功能的存储介质更易恢复数据。HFS+受macOS系统的原生支持。exFAT则受macOS和Windows系统的支持，无需使用额外软件，但不支持日志功能。

在Blackmagic Pocket Cinema Camera上格式化存储介质

- 1 点按LCD触摸屏底部的任何一个存储卡提示，进入存储管理器。
- 2 点按“格式化CFast卡”或“格式化SD卡”。如果您将USB-C硬盘连接到摄影机上，则会显示“格式化硬盘”，而不是“格式化SD卡”。



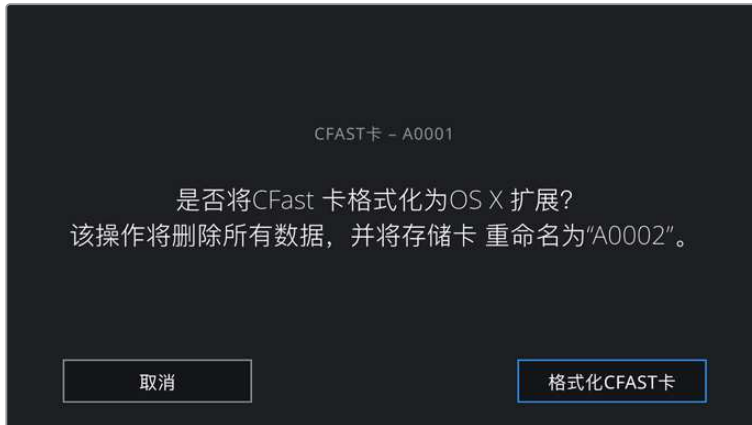
如果您在摄影机上连接了USB-C硬盘，屏幕上就会显示“格式化外部硬盘”，而不是“格式化SD卡”

- 3 点按“编辑卷号”手动更改卷号。通过键盘输入一个新的卷号，并按“更新”以确认选项。
- 4 选择“OS X扩展”或“exFAT”格式，并按格式化按钮。



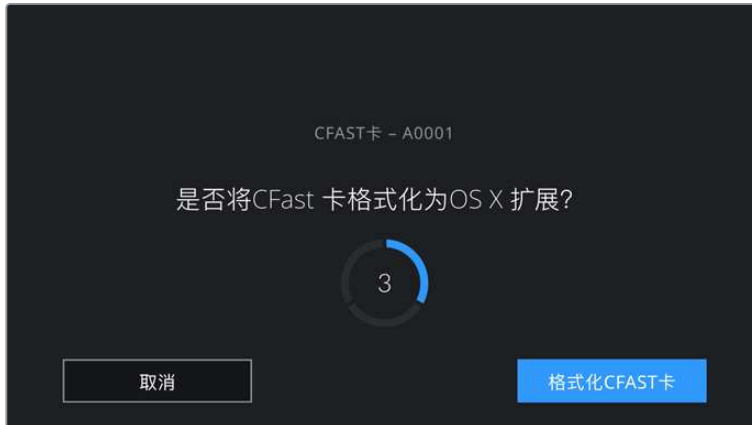
点按“编辑卷号”可手动更改卷号

- 5 在弹出的窗口中确认您想要格式化的卡、所选格式以及卷号。点按“格式化CFAST卡”按钮以确认您的选择。点按“取消”可取消格式化。



确认格式化之前, 请先检查是否选择了正确的存储介质。

- 6 按住格式化按钮三秒, 开始格式化存储介质。



- 7 摄影机会提示您存储介质格式化完毕已可使用, 或者格式化失败。
- 8 点按“确认”可返回存储管理器。
- 9 点按“退出”可离开存储管理器界面。

使用摄影机格式化CFast卡、SD卡或USB-C硬盘时,会使用根据场记板和卷号生成的摄影机ID来为媒体文件命名。每次格式化时,摄影机会自动递增卷号。如果您需要手动输入特定的卷号,可以点击“编辑卷号”然后输入存储卡被格式化后的编号。

开始新项目时,如果您希望文件编号重置为1,可以点击场记板上“项目”选项卡中“重置项目数据”。



摄影机上的存储管理器将告知您当前使用存储介质的是CFast、SD卡还是USB-C硬盘。

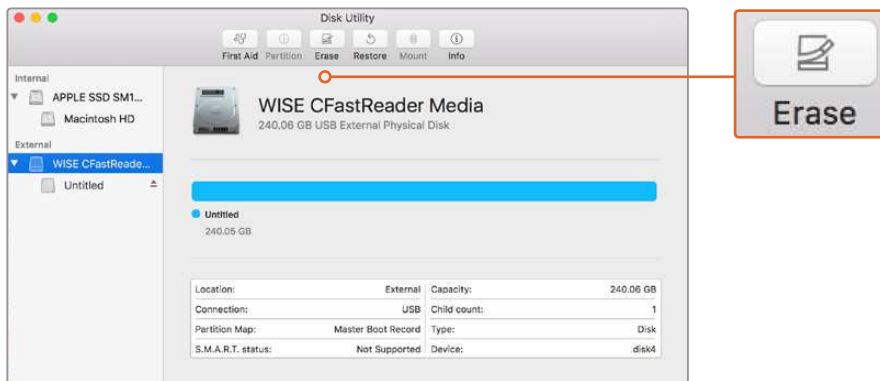
提示 如果SD卡启用了写保护,摄影机会检测到,并会在LCD触摸屏上原本显示记录时长的位置显示“锁定”字样,同时,存储菜单也会出现一个锁定图标。解锁该卡就可以进行格式化和记录。详情请参阅本手册“SD卡”部分的内容。

备注 如果您连接了USB-C硬盘,存储卡槽2上方就会显示“外部硬盘”字样。

在Mac计算机上格式化存储介质

您可以使用macOS计算机自带的“磁盘工具”应用程序,将CFast、SD卡或USB-C硬盘格式化为HFS+或exFAT。由于格式化后存储介质上的所有数据都被清除,因此请务必在格式化存储介质前备份存储介质上的所有重要文件。

- 1 将存储介质连接到您的计算机,忽略任何关于使用您的存储介质作为Time Machine备份选择的信息。
- 2 进入“应用程序/实用工具”界面,运行“磁盘工具”程序。
- 3 点击表示摄影机存储介质的硬盘图标,再点击“抹掉”按钮。
- 4 将格式设置为“Mac OS扩展(日志式)”或“exFAT”。
- 5 输入新增分区的名字,并点击“抹掉”。摄影机的存储介质或会迅速格式化,以备使用。

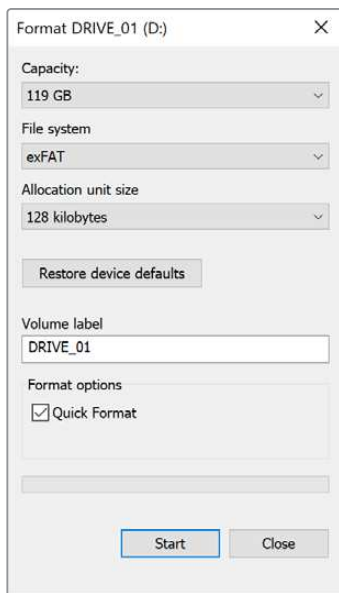


在macOS计算机上使用“磁盘工具”可将您摄影机的存储介质格式化为Mac OS扩展（日志式）或exFAT格式。

在Windows计算机上格式化存储介质

使用Windows PC的“格式化”对话框可将您摄影机的存储介质格式化为exFAT。由于格式化后存储介质上的所有数据都被清除，因此请务必在格式化存储介质前备份存储介质上的所有重要文件。

- 1 使用外部读写设备、USB-C线缆或转换器将摄影机的存储介质连接到您的计算机。
- 2 打开“开始菜单”或“开始画面”，选择“我的电脑”。右键点击摄影机的存储介质。
- 3 从上下文菜单中选择“格式化”。
- 4 将文件系统设置为“exFAT”，并将分配单元大小设置成128kb。
- 5 输入卷标，选择“快速格式化”，点击“开始”。
- 6 您的存储介质会迅速格式化，以备使用。



在Windows计算机上可使用“格式化”对话框将您摄影机的存储介质格式化为exFAT格式。

备注 如果记录的影像出现丢帧现象, 请检查您的存储卡或硬盘是否在适用于您所用编解码格式和帧大小尺寸的推荐存储媒介列表上。如果要求低数据速率, 可尝试降低您的帧率和分辨率, 或尝试ProRes等压缩编解码格式。请登录Blackmagic Design网站获取最新信息, 网址:
www.blackmagicdesign.com/cn

备注 您可以在Blackmagic Pocket Cinema Camera上使用经过分区的存储介质, 但摄影机只会将存储介质的第一个分区用于记录和播放。

需要指出的是, 如果您使用存储和格式化菜单来格式化存储介质, 除了用于记录和播放的第一个分区之外, 存储盘的所有分区都会被一并抹去。因此, 我们强烈建议您使用只有一个分区的存储介质。

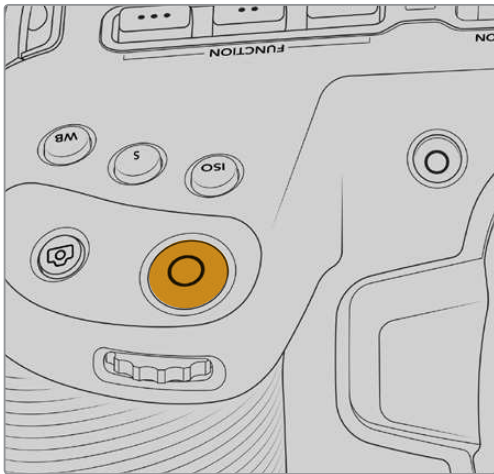
记录

记录片段

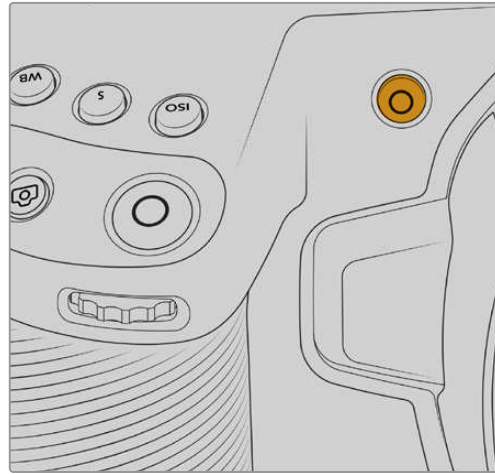
Blackmagic Pocket Cinema Camera配有两个记录按钮。第一个记录按钮位于把手顶部, 方便您在右手握住摄影机把手时使用食指触发记录。

第二个记录按钮位于摄影机正面, 方便您单手拿住摄影机自拍时触发记录。这个按钮设计在易于触及的位置, 十分适合录制自拍视频用于博客。

按摄影机上的其中一个记录按钮即可开始记录。再次按下记录按钮可停止记录。



位于摄影机顶部的记录按钮



位于摄影机正面的记录按钮

开始记录之前，按住位于触摸屏下方的存储介质名称可选择使用记忆卡或USB-C硬盘。被选中的存储介质类型上方的信息条会变成蓝色，表示摄影机将使用该存储介质进行记录。如果要在其他存储卡或存储盘上进行记录，按住存储介质名称进行更换即可。记录时，信息条将会变成红色。

选择记录格式

Blackmagic Pocket Cinema Camera可以使用如ProRes 422 HQ、ProRes 422、ProRes 422 LT和ProRes 422 Proxy等Apple ProRes编解码进行记录。ProRes编解码格式能在SD卡、CFast卡或USB-C硬盘上存储更多视频。以ProRes 422 HQ格式记录的视频质量最高，所做的压缩处理最少，而ProRes 422 Proxy格式可对视频进行优质压缩，记录更多视频。此外，摄影机还能以Blackmagic RAW格式记录。您可根据工作流程需要尝试并选择最适合的格式。

请务必注意，Blackmagic Pocket Cinema Camera可使用Blackmagic RAW格式以全部传感器模式和裁切传感器模式进行记录，并且必须使用ProRes格式记录经过缩放调整的格式。

更多关于裁切模式和缩放格式的详细信息，请查阅“最大传感器帧率”部分的介绍。

Blackmagic RAW

Blackmagic Pocket Cinema Camera支持Blackmagic RAW文件格式。

格式有着高画质、宽动态范围的特点，并提供多种压缩比选择。Blackmagic RAW保留了RAW记录的所有使用优点，但文件速度非常快，因为大部分处理是在摄影机里通过硬件加速完成的。也就是说，Blackmagic RAW在大部分电脑上能以正常速度播放，不需要先缓存或者降低分辨率。

Blackmagic RAW还包含强大的元数据支持，所以读取这一文件的软件就能明白摄影机的设置。如果您因为需要快速完成剪辑并且没有时间调色而使用视频Gamma拍摄，有了这一元数据功能，您可以选择视频Gamma模式，以视频Gamma拍摄，当您在软件里打开文件时，文件将会显示应用了视频Gamma的效果。但文件实际上还是电影Gamma模式，只不过是文件里的元数据让软件应用了视频Gamma模式。

也就是说，如果您在某个阶段希望为画面调色，所有电影动态范围都会保存在文件里。图像的亮部和暗部都不会被生硬地切掉，因此细节得以保留，从而通过调色赋予画面电影品质。如果您没时间调色也没有关系，因为图像会被应用视频Gamma，看起来就像正常的视频摄影机图像。画面并非一锤定音，到了后期制作您依然可以改变主意。

Blackmagic RAW文件速度非常快，这一编解码格式针对电脑的CPU和GPU做了优化。也就是说，播放又快又流畅，无需硬件解码板，这对于笔记本电脑来说非常重要。能读取Blackmagic RAW的软件也能获得通过Apple Metal、Nvidia CUDA和OpenCL处理的优势。

也就是说，Blackmagic RAW能像视频文件一样在大部分电脑上以正常速度播放，不需要先缓存或者降低分辨率。

另外值得一提的一点是，镜头信息会逐帧记录在元数据里。例如，使用兼容的镜头时，片段长度内所有变焦或对焦调整都会被逐帧保存在Blackmagic RAW文件的元数据里。

以Blackmagic RAW记录

Blackmagic RAW有两种不同的工作方式。您可以选择使用固定比特率编解码格式，或者固定质量编解码格式。

固定比特率编解码格式与大多数编解码格式的工作方式类似。它会试图将数据速率保持在恒定的程度，不会让数据速率升得太高。就是说，即使您拍摄复杂的图像，需要更多的数据来存储画面，固定比特率编解码格式也只会对图像进行进一步压缩，从而确保画面不会超出分配的空间。

这对视频编解码格式而言没有问题，但用Blackmagic RAW拍摄时，画质必须具有可预见性。如果您拍摄的图像需要更多数据，但编解码格式只是加大压缩程度来达到特定的数据速率，这时的结果就是，您可能会损失画质，但只有拍完回来才会发现。

为了解决这个问题，Blackmagic RAW还有另一个名为“固定质量”的编解码格式供您选择。该编解码格式技术上称为“可变比特率编解码格式”，当图像需要额外数据时，它会允许文件尺寸变大。如果您需要编码图像，同时保持画质，文件大小将没有上限。

设置为固定质量的Blackmagic RAW会让文件尺寸无限变大，直到满足编码图像的需要。但文件同时也会根据拍摄情况变大或变小。估计如果您忘了摘镜头盖，那也不会浪费存储介质的资源！

值得注意的是，Blackmagic RAW的画质设置选项名称并非晦涩难懂，而是能直观反映出各自的技术特点。比如，当您选择固定比特率编解码格式，会看到画质设置为3:1、5:1、8:1和12:1选项。这些是无压缩RAW文件尺寸与使用Blackmagic RAW拍摄的文件尺寸之间的比例。3:1的画质更好，因为文件更大，而12:1的文件尺寸最小，但画质也最低。许多Blackmagic RAW的用户认为12:1已经完全够用，没有发现任何画质局限。但您最好尝试不同设置，找到最适合自己的数值。

在固定质量设置下使用Blackmagic RAW时，您会看到设置为Q0和Q5选项。这些是传输给编解码格式的压缩参数，它们能以更技术性的方式设置所应用的压缩程度。这个设置不一样，因为固定比特率和固定质量编解码格式的运作方式不同。固定质量设置下，无法预测文件尺寸比率，因为该比率会根据具体拍摄情况发生很大的变化。所以在这种情况下设置是不一样的，并且文件会以它所需的大小记录到存储介质中。

固定比特率设置

3:1、5:1、8:1和12:1代表压缩比。比如，12:1压缩生成的文件大约比无压缩RAW小12倍。

固定质量设置

Q0和Q5表示不同程度的量化。Q5的量化级别更高，数据速率也更高。如上所述，固定质量设置下文件尺寸会根据拍摄情况显著增大或缩小。也就是说，在拍摄时有可能出现文件尺寸提高到超出存储卡负荷的情况。这样一来就可能会发生丢帧。但您可以立即看到拍摄中是否出现这样的问题，然后查看设置和画质。

Blackmagic RAW Player

Blackmagic Camera软件安装程序中包含的Blackmagic RAW Player播放器是一款用于查看片段的应用程序。只需双击打开Blackmagic RAW文件, 就能以全分辨率和位深快速播放及浏览文件。

解码帧时, SDK库里的CPU加速支持所有主要架构, 也可通过Apple Metal、Nvidia CUDA和OpenCL支持GPU加速。另外, 它还兼容Blackmagic eGPU, 可实现更高的性能。Blackmagic RAW Player支持Mac、Windows和Linux三大平台。

Sidecar文件

Blackmagic RAW Sidecar文件不会重写文件的内嵌元数据, 只是将新的元数据优先于原始数据之上。元数据中包含Blackmagic RAW设置, 以及光圈、对焦、焦距、白平衡、色调、色彩空间、项目名称、镜头编号等信息。元数据在片段全程被逐帧编码, 这对镜头数据来说很重要, 因为镜头可能在拍摄过程中发生调整。由于是可读格式, 您可以用DaVinci Resolve, 甚至文本编辑器添加或编辑Sidecar文件中的元数据。

Sidecar文件可以在播放时自动添加新的Blackmagic RAW设置, 只需把Sidecar文件与相对应的Blackmagic RAW文件移动到同一个文件夹即可。如果您将Sidecar文件移出文件夹, 并重新打开Blackmagic RAW文件, 更改后设置就不会被应用, 您所看到的文件是原始拍摄时的状态。任何使用Blackmagic RAW SDK的软件都能访问这些设置。做出的修改将保存在Sidecar文件里, 可以通过Blackmagic RAW Player播放器或其他任何能够阅读Blackmagic RAW文件的软件看到。

当拍摄视频Gamma模式时, 文件仍然处于电影Gamma, 元数据会告诉Blackmagic RAW的处理机能以视频Gamma显示。如果您不想为画面调色, 希望快速交付视频内容, 视频Gamma是个很好的选择。但如果您希望提升暗部或者降低亮部时, 所有细节还是依然都在的。视频不会被裁切, 所有细节都在, 您可以随时获取。

Blackmagic RAW与DaVinci Resolve

设置可以根据每个Blackmagic RAW文件进行调整, 然后用DaVinci Resolve的“Camera RAW”选项卡保存为新的Sidecar文件, 用于创建特效或优化查看。您可以将自己的媒体文件复制给另一位DaVinci Resolve用户, 他们在导入文件时就能自动获取您修改过的Gamma设置。除了摄影机文件中包含的其他元数据以外, DaVinci Resolve还能读取您选择的动态范围, 您的片段将自动以“Film”、“Extended Video”或“Video”动态范围在DaVinci Resolve中显示。

然后您可以通过调整饱和度、对比度和中点, 以及高光和阴影过渡, 对这些设置进行自定义。所有调整都可以保存为Sidecar文件, 后期处理文件的其他人员也能看到这些修改。您随时都可以回到摄影机的原始元数据。

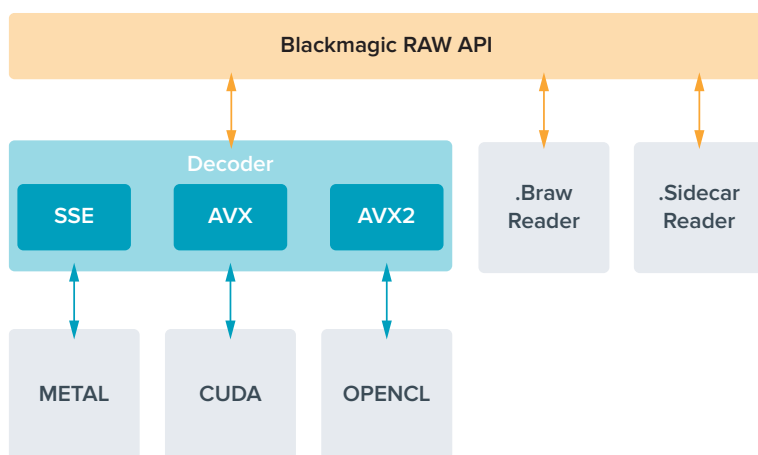
您还可以通过DaVinci Resolve的“Camera RAW”选项卡导出单一的Blackmagic RAW帧, 其中包含所有调整、元数据、全分辨率和色彩信息, 方便与他人分享单帧或参考文件。

获取更多关于如何在DaVinci Resolve中使用Blackmagic RAW的信息, 请参阅本手册“使用DaVinci Resolve”部分内容。

Blackmagic RAW软件开发工具包

Blackmagic RAW软件开发工具包是由Blackmagic Design开发的API。您可以用Blackmagic RAW SDK编写自己的应用程序来使用Blackmagic RAW格式。任何开发人员都能用SDK库添加读取、编辑和保存Blackmagic RAW文件的支持。Blackmagic RAW SDK包含第四代色彩科学，您可以在所有支持它的应用上实现电影般的自然画面。Blackmagic RAW SDK支持Mac、Windows和Linux，可在Blackmagic官网的开发者页面免费下载www.blackmagicdesign.com/cn/developer。

以下图表显示了Blackmagic RAW API的各个组成部分：



最高传感器帧率

Blackmagic Pocket Cinema Camera 6K最高传感器帧率

	分辨率	编解码	传感器范围	最高帧率
6K	6144 x 3456	Blackmagic RAW	全部	50
6K 2.4:1	6144 x 2560	Blackmagic RAW	裁切	60
5.7K 17:9	5744 x 3024	Blackmagic RAW	裁切	60
4K DCI	4096 x 2160	ProRes 422 HQ	在5.7K基础上进行缩放调整	60
	4096 x 2160	ProRes 422	在5.7K基础上进行缩放调整	60
	4096 x 2160	ProRes 422 LT	在5.7K基础上进行缩放调整	60
	4096 x 2160	ProRes 422 Proxy	在5.7K基础上进行缩放调整	60
Ultra HD	3840 x 2160	ProRes 422 HQ	在全分辨率基础上进行缩放调整	50
	3840 x 2160	ProRes 422	在全分辨率基础上进行缩放调整	50
	3840 x 2160	ProRes 422 LT	在全分辨率基础上进行缩放调整	50
	3840 x 2160	ProRes 422 Proxy	在全分辨率基础上进行缩放调整	50
	3840 x 2160	ProRes 422 HQ	在5.7K基础上进行缩放调整	60
	3840 x 2160	ProRes 422	在5.7K基础上进行缩放调整	60
	3840 x 2160	ProRes 422 LT	在5.7K基础上进行缩放调整	60
	3840 x 2160	ProRes 422 Proxy	在5.7K基础上进行缩放调整	60
3.7K变形	3728 x 3104	Blackmagic RAW	裁切	60
2.8K 17:9	2868 x 1512	Blackmagic RAW	裁切	120

	分辨率	编解码	传感器范围	最高帧率
HD	1920 x 1080	ProRes 422 HQ	在全分辨率基础上进行缩放调整	50
	1920 x 1080	ProRes 422	在全分辨率基础上进行缩放调整	50
	1920 x 1080	ProRes 422 LT	在全分辨率基础上进行缩放调整	50
	1920 x 1080	ProRes 422 Proxy	在全分辨率基础上进行缩放调整	50
	1920 x 1080	ProRes 422 HQ	在5.7K基础上进行缩放调整	60
	1920 x 1080	ProRes 422	在5.7K基础上进行缩放调整	60
	1920 x 1080	ProRes 422 LT	在5.7K基础上进行缩放调整	60
	1920 x 1080	ProRes 422 Proxy	在5.7K基础上进行缩放调整	60
	1920 x 1080	ProRes 422 HQ	在2.7K基础上进行缩放调整	120
	1920 x 1080	ProRes 422	在2.7K基础上进行缩放调整	120
	1920 x 1080	ProRes 422 LT	在2.7K基础上进行缩放调整	120
	1920 x 1080	ProRes 422 Proxy	在2.7K基础上进行缩放调整	120

Blackmagic Pocket Cinema Camera 4K最高传感器帧率

	分辨率	编解码	传感器范围	最高帧率
4K DCI	4096 x 2160	Blackmagic RAW	全部	60
	4096 x 2160	ProRes 422 HQ	全部	60
	4096 x 2160	ProRes 422	全部	60
	4096 x 2160	ProRes 422 LT	全部	60
	4096 x 2160	ProRes 422 Proxy	全部	60
4K 2.4:1	4096 x 1712	Blackmagic RAW	裁切	75
Ultra HD	3840 x 2160	Blackmagic RAW	裁切	60
	3840 x 2160	ProRes 422 HQ	裁切	60
	3840 x 2160	ProRes 422	裁切	60
	3840 x 2160	ProRes 422 LT	裁切	60
	3840 x 2160	ProRes 422 Proxy	裁切	60
2.8K变形	2880 x 2160	Blackmagic RAW	裁切	80
2.6K 16:9	2688 x 1512	Blackmagic RAW	裁切	120
HD	1920 x 1080	ProRes 422 HQ	在全分辨率基础上进行缩放调整	60
	1920 x 1080	ProRes 422	在全分辨率基础上进行缩放调整	60
	1920 x 1080	ProRes 422 LT	在全分辨率基础上进行缩放调整	60
	1920 x 1080	ProRes 422 Proxy	在全分辨率基础上进行缩放调整	60
	1920 x 1080	ProRes 422 HQ	在2.6K基础上进行缩放调整	120
	1920 x 1080	ProRes 422	在2.6K基础上进行缩放调整	120
	1920 x 1080	ProRes 422 LT	在2.6K基础上进行缩放调整	120
	1920 x 1080	ProRes 422 Proxy	在2.6K基础上进行缩放调整	120
	1920 x 1080	Blackmagic RAW	裁切	120
	1920 x 1080	ProRes 422 HQ	裁切	120
	1920 x 1080	ProRes 422	裁切	120
	1920 x 1080	ProRes 422 LT	裁切	120
1920 x 1080	ProRes 422 Proxy	裁切	120	

备注 2.6K 16:9拍摄格式具备为Super 16mm镜头和高帧率所优化的传感器区域。

记录时长

下面这些表格以分和秒的格式列出了不同格式、项目帧率和媒体文件大小下可以记录的大致时长。请注意，可用的分辨率和编解码会因Pocket Cinema Camera 6K和Pocket Cinema Camera 4K型号而有所不同。

存储介质的最长记录时间取决于CFast卡、SD卡或USB-C硬盘的数据容量，以及您所选择的记录格式和帧率。例如3840 x 2160的Apple ProRes 422 HQ格式，其存储速率大约为880Mbps。采用每秒24帧的记录速度，您可以在一张容量为256GB的CFast 2.0卡上记录大约47分钟的视频。在同样的设置下，您可以在一张容量为128GB的CFast卡上记录大约23分钟的视频，这大约是容量256GB的CFast卡一半的记录时长。

需要注意的是，不同厂商生产的存储介质，其记录时长也略有不同。存储介质被格式化为exFAT或Mac OS X扩展格式时，记录时长也会有所不同。

含有少量信息的简单场景要比信息密集的合成场景需要的数据更少。以下表格中的数值都是以高度复杂的镜头来评估的，因此您所获得的记录时间可能会稍长些，具体取决于您所拍摄影像的类型。

6K					
CFast 卡	帧 率	Blackmagic RAW 3:1	Blackmagic RAW 5:1	Blackmagic RAW 8:1	Blackmagic RAW 12:1
		时长	时长	时长	时长
256GB	23.98	17分钟	28分钟	45分钟	67分钟
	24	17分钟	28分钟	45分钟	67分钟
	25	16分钟	27分钟	43分钟	64分钟
	30	13分钟	22分钟	36分钟	54分钟
	50	8分钟	13分钟	21分钟	32分钟

6K 2.4:1					
CFast 卡	帧 率	Blackmagic RAW 3:1	Blackmagic RAW 5:1	Blackmagic RAW 8:1	Blackmagic RAW 12:1
		时长	时长	时长	时长
256GB	23.98	23分钟	38分钟	60分钟	91分钟
	24	22分钟	38分钟	60分钟	91分钟
	25	21分钟	36分钟	58分钟	87分钟
	30	18分钟	30分钟	48分钟	72分钟
	50	11分钟	18分钟	29分钟	43分钟
	60	9分钟	15分钟	24分钟	36分钟

5.7K 17:9					
CFast 卡	帧率	Blackmagic RAW 3:1	Blackmagic RAW 5:1	Blackmagic RAW 8:1	Blackmagic RAW 12:1
256GB		时长	时长	时长	时长
	23.98	20分钟	34分钟	55分钟	82分钟
	24	20分钟	34分钟	55分钟	82分钟
	25	19分钟	33分钟	52分钟	79分钟
	30	16分钟	27分钟	44分钟	66分钟
	50	10分钟	16分钟	26分钟	39分钟
	60	8分钟	13分钟	22分钟	33分钟

4K DCI									
CFast 卡	帧率	Blackmagic RAW 3:1	Blackmagic RAW 5:1	Blackmagic RAW 8:1	Blackmagic RAW 12:1	ProRes 422 HQ	ProRes 422	ProRes 422 LT	ProRes 422 Proxy
256GB		时长	时长	时长	时长	时长	时长	时长	时长
	23.98	39分钟	65分钟	104分钟	155分钟	44分钟	66分钟	95分钟	216分钟
	24	39分钟	65分钟	103分钟	155分钟	44分钟	66分钟	95分钟	216分钟
	25	37分钟	62分钟	99分钟	149分钟	42分钟	64分钟	91分钟	207分钟
	30	31分钟	52分钟	83分钟	124分钟	35分钟	53分钟	76分钟	173分钟
	50	18分钟	31分钟	49分钟	74分钟	21分钟	32分钟	45分钟	104分钟
	60	15分钟	26分钟	41分钟	62分钟	17分钟	26分钟	38分钟	87分钟

4K 2.4:1					
CFast 卡	帧率	Blackmagic RAW 3:1	Blackmagic RAW 5:1	Blackmagic RAW 8:1	Blackmagic RAW 12:1
256GB		时长	时长	时长	时长
	23.98	50分钟	84分钟	134分钟	201分钟
	24	50分钟	84分钟	134分钟	201分钟
	25	48分钟	81分钟	129分钟	193分钟
	30	40分钟	67分钟	108分钟	161分钟
	50	24分钟	40分钟	65分钟	97分钟
	60	20分钟	33分钟	54分钟	81分钟
	75	16分钟	27分钟	43分钟	65分钟
	80	17分钟	28分钟	45分钟	68分钟

ULTRA HD									
CFast 卡	帧率	Blackmagic RAW 3:1	Blackmagic RAW 5:1	Blackmagic RAW 8:1	Blackmagic RAW 12:1	ProRes 422 HQ	ProRes 422	ProRes 422 LT	ProRes 422 Proxy
256GB		时长	时长	时长	时长	时长	时长	时长	时长
	23.98	41分钟	68分钟	110分钟	164分钟	47分钟	71分钟	101分钟	230分钟
	24	41分钟	68分钟	109分钟	164分钟	47分钟	71分钟	101分钟	230分钟
	25	39分钟	66分钟	105分钟	157分钟	45分钟	68分钟	97分钟	221分钟
	30	33分钟	55分钟	88分钟	131分钟	38分钟	57分钟	81分钟	184分钟
	50	19分钟	33分钟	52分钟	79分钟	22分钟	34分钟	48分钟	111分钟
	60	16分钟	27分钟	44分钟	66分钟	18分钟	28分钟	40分钟	92分钟

3.7K变形					
CFast 卡	帧率	Blackmagic RAW 3:1	Blackmagic RAW 5:1	Blackmagic RAW 8:1	Blackmagic RAW 12:1
256GB		时长	时长	时长	时长
	23.98	31分钟	51分钟	82分钟	123分钟
	24	31分钟	51分钟	82分钟	123分钟
	25	29分钟	49分钟	79分钟	118分钟
	30	24分钟	41分钟	65分钟	98分钟
	50	15分钟	24分钟	39分钟	59分钟
	60	12分钟	20分钟	33分钟	49分钟

2.8K变形					
CFast 卡	帧率	Blackmagic RAW 3:1	Blackmagic RAW 5:1	Blackmagic RAW 8:1	Blackmagic RAW 12:1
256GB		时长	时长	时长	时长
	23.98	57分钟	95分钟	151分钟	226分钟
	24	57分钟	95分钟	151分钟	226分钟
	25	54分钟	91分钟	145分钟	217分钟
	30	45分钟	76分钟	121分钟	181分钟
	50	27分钟	45分钟	73分钟	109分钟
	60	22分钟	38分钟	61分钟	91分钟
	80	17分钟	28分钟	45分钟	68分钟

2.8K 17:9					
CFast 卡	帧率	Blackmagic RAW 3:1	Blackmagic RAW 5:1	Blackmagic RAW 8:1	Blackmagic RAW 12:1
256GB		时长	时长	时长	时长
	23.98	81分钟	136分钟	216分钟	321分钟
	24	81分钟	135分钟	215分钟	320分钟
	25	78分钟	130分钟	207分钟	308分钟
	30	65分钟	108分钟	173分钟	258分钟
	50	39分钟	65分钟	104分钟	156分钟
	60	32分钟	54分钟	87分钟	130分钟
	120	16分钟	27分钟	43分钟	65分钟

2.6K 16:9					
CFast 卡	帧率	Blackmagic RAW 3:1	Blackmagic RAW 5:1	Blackmagic RAW 8:1	Blackmagic RAW 12:1
256GB		时长	时长	时长	时长
	23.98	87分钟	144分钟	230分钟	342分钟
	24	87分钟	144分钟	229分钟	342分钟
	25	83分钟	138分钟	220分钟	328分钟
	30	69分钟	115分钟	184分钟	275分钟
	50	41分钟	69分钟	111分钟	166分钟
	60	34分钟	58分钟	92分钟	138分钟
	120	17分钟	29分钟	46分钟	69分钟

HD									
CFast 卡	帧率	Blackmagic RAW 3:1	Blackmagic RAW 5:1	Blackmagic RAW 8:1	Blackmagic RAW 12:1	ProRes 422 HQ	ProRes 422	ProRes 422 LT	ProRes 422 Proxy
256GB		时长	时长	时长	时长	时长	时长	时长	时长
	23.98	159分钟	264分钟	418分钟	619分钟	189分钟	283分钟	403分钟	877分钟
	24	159分钟	264分钟	418分钟	618分钟	189分钟	283分钟	403分钟	877分钟
	25	153分钟	253分钟	402分钟	595分钟	182分钟	271分钟	387分钟	843分钟
	30	127分钟	212分钟	336分钟	499分钟	152分钟	227分钟	324分钟	710分钟
	50	76分钟	127分钟	203分钟	303分钟	91分钟	137分钟	196分钟	434分钟
	60	64分钟	106分钟	170分钟	254分钟	76分钟	114分钟	163分钟	363分钟
	120	32分钟	54分钟	87分钟	130分钟	38分钟	57分钟	82分钟	185分钟

备注 请注意, Blackmagic RAW可用于拍摄使用全部或裁切传感器模式的格式。要记录所有经过缩放调整的格式, 请选择ProRes编解码。

6K、6K 2.4:1、5.7K 17:9、3.7K变形以及2.8K 17:9格式仅在Pocket Cinema Camera 6K机型上提供, 并且使用Blackmagic RAW编解码。Pocket Cinema Camera 6K使用ProRes记录4K DCI、Ultra HD和HD格式。

4K 2.4:1、2.8K变形以及2.6K 16:9格式仅在Pocket Cinema Camera 4K机型上提供, 并且使用Blackmagic RAW编解码。Pocket Cinema Camera 4K使用Blackmagic RAW或ProRes记录4K DCI、Ultra HD和HD格式。

Q0和Q5的固定质量设置将显示不同的记录剩余时间时长。Q0的预计时长与固定比特率3:1类似, Q5的时长与12:1类似, 但由于记录过程中预计时长每10秒钟更新一次, 所以衡量记录时间最好的方法是记录20秒钟, 然后在触摸屏显示器的存储介质区域监测时长。

选择帧率

摄影机可以使用不同的帧率拍摄视频, 您可以根据需要进行选择。

一般来说, 选择传感器帧率时, 会有一些常见的方面需要考虑。数年来, 影视行业一直都有相应的标准。不同的标准会有不同的帧率要求, 但其目的只有一个, 就是在每一秒内显示有效的帧数来呈现悦目而真实的动态画面。

比如, 影院使用的是每秒24帧的标准, 虽然近年来业内已经开始尝试使用更高的帧率, 但每秒24帧依然是全球广泛接受的标准。

电视行业的帧率则通常要符合每个国家的播出技术标准。比如, 在制作电视内容时, 北美地区一般都会使用每秒29.97的帧率进行记录, 而欧洲地区则会使用每秒25的帧率进行记录。

但是, 随着技术的不断发展, 如今的制作有了更多的选择, 并且播出标准也在一直变化。现在, 体育类节目通常会以更高的帧率记录和播出。比如在北美地区, 有些体育节目会以高达每秒59.94帧的速度记录和播出, 欧洲地区则会采用每秒50帧的速度。这样能使这类快节奏画面更加流畅和真实。

此外, 流媒体和网络播出一般会使用和电视节目类似的帧率, 但用户可以选择不同的观看格式, 而且唯一的限制就是用户的屏幕可以显示的内容, 所以灵活性更大一些。

一般来说, 为一个项目选择帧率时, 可以根据交付的格式进行选择。摄影机的项目帧率应该使用这一设置, 而传感器帧率应该被设置为匹配。这样您的片段就能以和肉眼所见的实际画面相同的速度进行播放。

如果您想要创造出有趣的效果, 比如慢动作, 就可以使用高一些的传感器帧率设置。传感器帧率比项目帧率越高, 播放速度就越慢。

更多关于使用不同传感器帧率来达到创意效果的信息, 请参考“触摸屏控制”部分的介绍。

触发记录

Blackmagic Pocket Cinema Camera可通过HDMI输出口自动发送一路信号,以便在连接如Blackmagic Video Assist等支持触发记录功能的设备时触发记录。

这样一来,当您按下摄影机上的记录按钮时,您所连接的外部记录设备也会开始记录,并可当您停止摄影机记录的同时也停止记录。您的摄影机还可以通过HDMI输出时间码,也就是说,外部记录设备和摄影机内部记录的片段会使用相同的时间码。

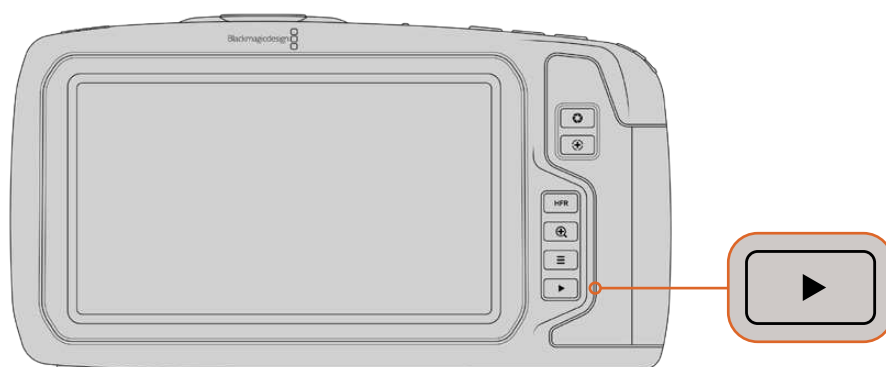
如果外部记录设备支持触发记录功能,您需要通过设置菜单将其启用。

播放

播放片段

视频记录完毕后,您可使用摄影机上的播放控制按钮播放素材片段并在LCD屏幕上监看。按下播放按钮可切换到播放模式。再次按播放按钮可立即在LCD屏幕或者通过HDMI输出口连接的显示器上播放最后记录的片段。按住LCD屏幕上的前进或倒退按钮可以快进或倒退片段。当前片段到头时,播放会结束。

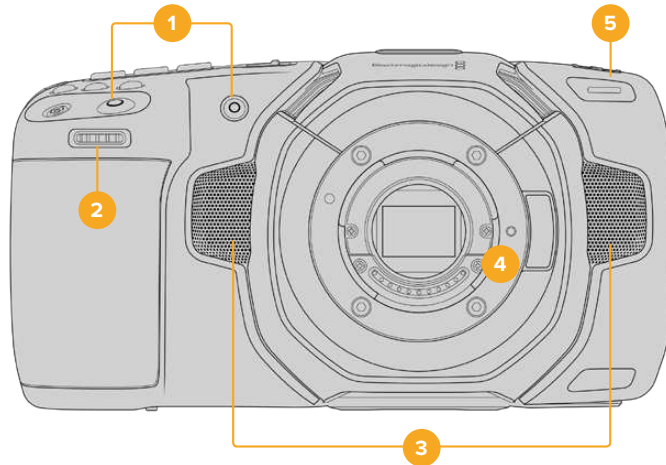
按前进或倒退按钮可跳到片段的开始或结束处。按后退按钮一次会跳转到当前素材片段的起始位置,按两次则跳转到上一个片段的起始位置。按记录按钮可退出播放,触摸屏会回到摄影机画面。



按播放控制区域的播放按钮即可在内置触摸屏上查看最近记录的片段。

摄影机功能

摄影机正面



1 记录按钮

按任何一个记录按钮均可开始和停止记录。摄影机正面设有一个记录按钮，便于在自拍时开始或停止记录。

2 设置滚轮

摄影机上安装兼容镜头时，设置滚轮可用来调整光圈。将触摸屏面向自己，向左旋转滚轮可打开光圈，向右旋转则关闭光圈。设置滚轮也可以用来调整白平衡、快门角度和ISO设置。按摄影机顶部的相应按钮，然后使用滚轮进行选择。完成选择后，按下设置滚轮可快速退出选择菜单。

3 立体声麦克风

共有四个内置的优质立体声麦克风。更多关于麦克风音频设置的信息，请参考“音频设置”部分的介绍。

4 镜头卡口

Blackmagic Pocket Cinema Camera 6K设有主动式EF镜头卡口，4K机型则设有主动式MFT镜头卡口。也就是说，您可以使用内置稳定器的镜头，还可以控制兼容镜头的自动对焦和自动曝光。要使用主动式镜头中自带的图像稳定器（即“IS”），可将稳定器开关设为“ON”来开启摄影机图像稳定功能。如果您的镜头有图像稳定器开关，请根据需要设置适合的静态图像或动态图像模式。如果您的镜头并未设有稳定器开关，可以从摄影机的“图像稳定功能”设置菜单中打开或关闭该功能。

5 Tally/记录提示

摄影机的正面设有一个小型LED灯，可在摄影机记录时亮起红色加以提示。您可以到设置菜单中启用或禁用这一Tally灯提示，还可以调整其亮度。详情请参考“设置”部分的内容。

右侧



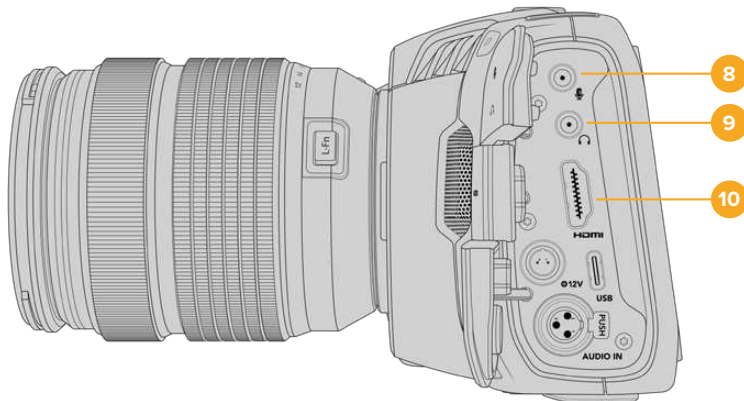
6 CFast卡槽

将CFast 2.0卡插入卡槽内可实现记录和播放。详情请参阅“CFast卡”部分的内容。

7 SD卡槽

将SD卡插入卡槽内可实现记录和播放。详情请参阅“SD卡”部分的内容。

左侧



8 3.5mm麦克风输入

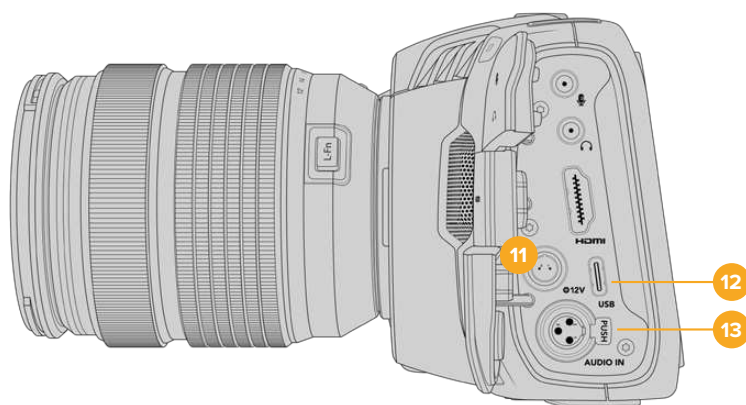
通过摄影机的3.5mm立体声接口连接麦克风。支持Mic和Line电平的音频。Mic电平的音频要比Line电平低，因此如果您将麦克风连接到摄影机但选择了Line电平，就会发现电平过低。麦克风输入还可以接收来自左通道外部信号源的SMPTE规范LTC时间码。有效时间码可被自动检测到，并作为时间码元数据加嵌到记录的视频中。我们建议通过Line电平输出发送LTC时间码，特别是不将时间码作为一个音频轨道记录的情况。

9 耳麦输入

把耳麦插入3.5mm立体声耳机插孔可在记录和播放片段时监听音频。连接耳麦时，扬声器输出处于静音状态。

10 HDMI输出

这一标准尺寸HDMI接口可连接支持HDR和2通道内嵌音频的10bit 4:2:2 1080p HD视频。使用触摸屏菜单设置净信号或者带有叠加信息的输出画面。



11 电源输入

您可以使用DC接口为摄影机充电，并同时为电池进行涓流充电。如果要连接电源适配器，请转动插头使其对准插孔上方的缺口位置，然后轻推插头直至其解锁。如果要断开电源连接，请将锁定销转回原来的位置，然后拔出插头。

自定义电源方案

有些用户创建了自定义电源设备作为Blackmagic Pocket Cinema Camera供电途径之一。如果您决定不使用电池来创建自己的供电方案，那么需要注意和谨慎的是，千万确保不要对您的摄影机供应过高的电压，不然会导致永久性破坏。以下是Pocket Cinema Camera的电压要求：

- 电池输入连接额定电压范围为6.2V到10V最大。
- DC输入额定电压范围为10.8V到20V最大。
- 当摄影机待机且不为电池充电时要求16W电源。
- 当摄影机为LP-E6型电池充电时要求30W电源。
- 当采用自定义电源方案为摄影机供电时，建议您移除LP-E6型电池。
- 在记录到外部存储介质，使用主动式镜头，屏幕和Tally亮度均调到最高，记录高帧率影像，并且不为电池充电的情况下，Pocket Cinema Camera 6K要求25W，Pocket Cinema Camera 4K要求22W。

12 USB

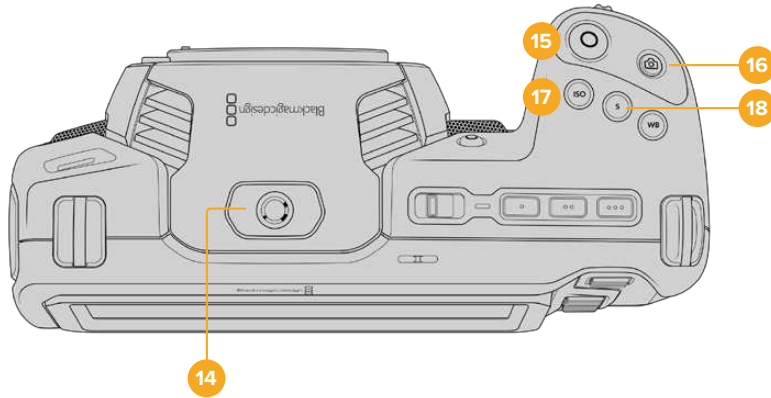
您可以利用这一USB-C端口，直接在连接的USB-C硬盘上进行记录。当摄影机关闭时，您可以通过这一USB-C端口从充电宝等外部设备源为电池充电。为摄影机更新内部软件时，通过这个USB-C端口将摄影机连接到计算机，运行摄影机的更新程序。

13 Mini XLR麦克风输入

通过Mini XLR接口连接外部平衡模拟音频。使用XLR转Mini XLR适配器电缆可将标准XLR麦克风连接到您的摄影机。

Mini XLR输入可提供幻象电源，用于连接不带内部供电的专业麦克风。更多关于启用幻象电源的信息，请参考本手册“音频”部分的介绍。

顶板



14 1/4-20安装点

您可以使用摄影机顶部的1/4-20安装点来安装外接麦克风或其他小型配件。

备注 Pocket Cinema Camera顶部的这一1/4英寸安装点只可用于连接小型麦克风等轻型配件。这个顶部1/4英寸安装点不得作为摄影机的承重点，因此请勿安装由螺丝固定的摄影机把手连同较重的镜头。这一操作会损坏1/4英寸安装点，并且不属保修范围。请勿用该安装点连接大型长杆类配件，例如通过该安装点连接加长杆再安装较重配件。如要安装较重的配件，我们强烈建议您使用专为Pocket Cinema Camera设计的摄影机提笼，可同时固定在顶部和底部的1/4英寸安装点。

15 记录

按摄影机上的记录按钮即可开始录制。再次按下可停止记录。

16 静帧

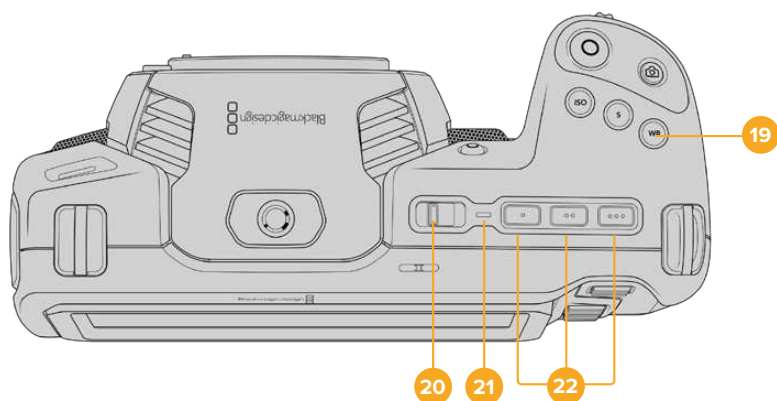
如要采集单帧无压缩DNG画面，可按下摄影机上的静帧按钮。摄影机图标会短暂出现在触摸显示屏的右上角，提示您静帧采集成功。图像文件会被保存在当前正用于记录的存储介质根目录下名为“stills”的文件夹内。保存时会使用视频片段的文件命名格式，但文件名末尾将含有“S001”字样，以文件名最后四位字符来表示“静帧号码”。

17 ISO

按ISO按钮并旋转设置滚轮可调整摄影机的感光度设置。ISO可以1/3挡的增量进行设置，数值在100到25,600之间。

18 快门

要更改快门角度或快门速度，可按“S”快门按钮，然后旋转设置滚轮。触摸显示屏也会给出最多三个防闪烁快门建议选项。



19 白平衡

按“WB”白平衡按钮并旋转设置滚轮可调整摄影机的白平衡设置。您也可以长按“WB”按钮三秒，直接进入自动白平衡屏幕菜单。摄影机将会在画面中心位置叠加显示一个白色方块，并使用这一区域执行自动白平衡操作。更多信息请参考“触摸屏控制”部分的介绍。

20 电源开关

电源开关可开启摄影机。向右滑动开关可开启摄影机，向左滑动可关机。

21 LED状态显示

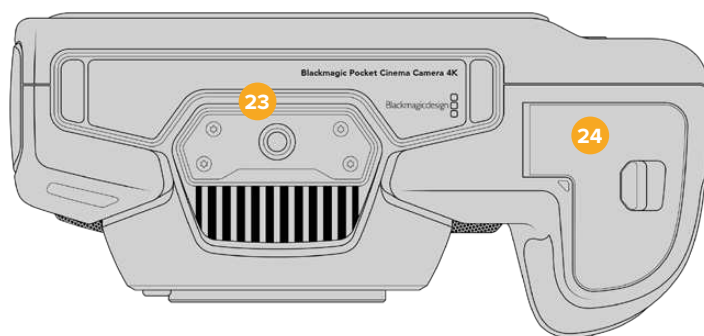
摄影机关闭状态下，如果通过其12V DC电源接口或USB-C端口连接了外部电源，这一提示灯会显示红色，表示电池正在充电。

电池充满电后，状态LED灯会熄灭。

22 功能按钮

您可以使用摄影机的“设置”菜单对这些按钮进行编程，将它们指派为各项常用功能。默认情况下，第一个按钮被设为“伪色”，第二个按钮被设为“显示LUT”，第三个按钮被设为“帧导栏”。

摄影机底部



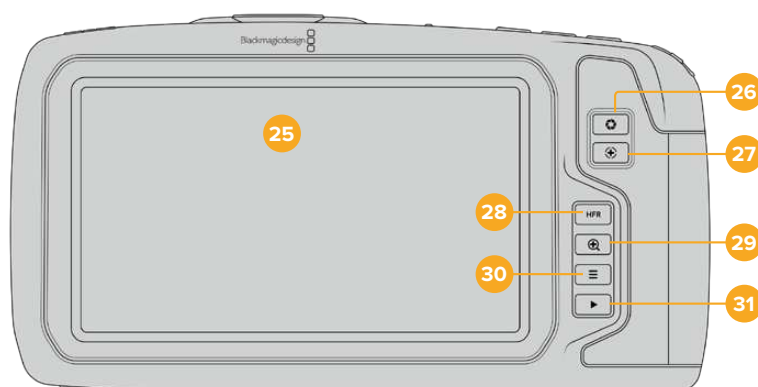
23 1/4-20安装点

使用底部的这个1/4-20安装点可以将摄影机固定到三脚架上。

24 电池仓门

将电池仓门释放扣往镜头卡口的方向轻轻推按可将其打开。关闭时，只要轻推仓门直至听到锁定的声音即可。

摄影机背面



25 触摸显示屏

在记录和播放时可使用这个触摸显示屏观看片段。通过点按和滑动手势调整各项设置并控制摄影机。

26 光圈按钮

按下光圈按钮将自动，摄影机将根据镜头中的高光和阴影设置平均曝光值。您可以通过左右旋转设置滚轮来手动调整镜头光圈，也可以点按触摸显示屏上的“IRIS”按钮并调整光圈滑块实现控制。

27 对焦按钮

当摄影机使用兼容的自动对焦镜头时，按对焦按钮一次可自动对焦。默认情况下，镜头将自动对焦到画面的中心，但是您可以根据需要点按LCD屏幕来选择其他的对焦点。连按两次对焦按钮可将对焦点重置到屏幕的中心位置。

备注 虽然大部分镜头都支持电子对焦，但是有些镜头可设置为手动或自动对焦模式。在这类情况下，您需要确认已将镜头设置到自动对焦模式。

28 HFR按钮

使用HFR（高帧率）按钮可切换到变速帧率。要使用这一功能，只要在帧率菜单中设置您想要的变速帧率即可。摄制完成后，只要按下HFR按钮即可在您所选的变速帧率和项目帧率之间切换。需要指出的是，这一设置只能在记录停止时调整。

更多关于项目和变速帧率的信息，请参考“触摸屏控制”部分的介绍。

29 对焦缩放按钮

按对焦放大按钮可放大画面，以1:1的像素比例来调整对焦。放大显示时，您可以在触摸屏上使用捏拉缩放的多点接触手势控制来调整缩放程度。更多相关信息，请查阅“捏拉缩放”部分的介绍。放大状态下，您可以点按并拖动屏幕以查看画面的不同区域。如果要缩小画面，再次按对焦放大按钮即可。

30 菜单按钮

按下该菜单按钮可打开主菜单界面。

31 播放按钮

按下播放按钮可切换到播放模式。再次按播放按钮可立即在LCD屏幕或者通过HDMI输出口连接的显示器上播放最后记录的片段。

触摸屏控制

触摸屏功能

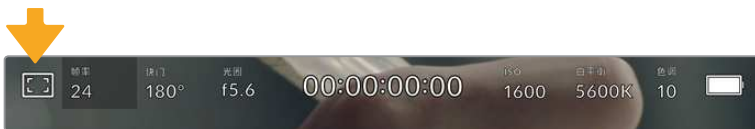
Blackmagic Pocket Cinema Camera的LCD触摸屏采用触摸式手势界面设计, 能带来快捷直观的操作体验。您可以在LCD触摸屏上的不同区域进行点按和滑动操作, 从而快速实现拍摄时可能用到的摄影机功能。



Blackmagic摄影机的LCD触摸显示屏能让您轻松设置摄影机的绝大多数使用设置。

LCD监看选项

点按触摸屏左上角的监看图标可进入LCD监看设置。这些设置可用来切换并调整摄影机的监看功能, 包括斑马纹、对焦辅助、帧导栏、网格、安全区以及伪色。当您进入LCD监看选项时, 这些功能的控制项会显示在LCD触摸屏底部的选项卡菜单中。



点击摄影机LCD触摸屏左上角的图标可进入LCD触摸屏的监看选项。

斑马纹

斑马纹设置可开启或关闭LCD触摸屏上的斑马纹显示, 还可以设置HDMI输出画面上的斑马纹级别。

视频图像中超过您设定的斑马纹曝光度的部分会以斜线标出。例如, 将斑马纹设定为100%可显示完全过曝的区域。这一功能对于既定照明条件下实现最佳曝光值非常有帮助。



进入LCD监看选项后, 点按斑马纹图标可选择斑马纹设置

要开启或关闭LCD触摸屏的斑马纹功能, 只要在斑马纹界面中点按屏幕左下方的切换图标即可。

向左或向右拖动滑块或点按斑马纹百分比级别的箭头, 可为斑马纹显示设置曝光级别。斑马纹程度能以5个百分点为单位进行调整, 曝光显示范围在75%到100%之间。

更多关于在摄影机HDMI输出上启用斑马纹的信息, 请参考本手册“监看设置”部分的介绍。

提示 如果您在户外阴天等易变的照明条件下拍摄, 将斑马纹设置在100以下能提示您可能出现过曝的区域。

对焦辅助

对焦辅助设置可开启或关闭LCD触摸屏上的对焦辅助显示, 还可以为Blackmagic Pocket Cinema Camera上的HDMI输出设置对焦辅助级别。



进入LCD监看选项后, 点击对焦辅助图标可设置摄影机的对焦辅助选项。

要开启或关闭LCD触摸屏的对焦辅助功能, 只要在对焦辅助界面中点按屏幕左下方的切换图标即可。

要在摄影机上设置HDMI输出的对焦辅助级别, 可点按触摸屏底部的点按“低”、“中”或者“高”选项。

对焦辅助的最佳级别因拍摄画面而异。例如, 对焦人物时, 设置较高的对焦辅助可有助于解决人物面部边缘细节的问题。而如果是对焦植物或建筑物, 较高的对焦辅助设置反而会显示许多干扰信息。

更多关于在摄影机HDMI输出上启用对焦辅助的信息, 请参考本手册“监看设置”部分的介绍。

提示 Blackmagic Pocket Cinema Camera设有两个对焦辅助模式。您可以在“监看”设置菜单中的“峰值对焦”和“彩色线条”两种对焦辅助选项间进行切换。详情请参考本手册“监看设置”部分的介绍。

帧导栏

帧导栏设置可开启或关闭LCD触摸屏上的帧导栏显示。您还可以选择一种帧导栏在摄影机的HDMI输出上显示。

帧导栏包括用于电影、电视和网络标准的不同宽高比。



进入LCD监看选项后，点击帧导栏图标可设置帧导栏选项。

要开启或关闭LCD触摸屏的帧导栏显示，只要点按屏幕左下角的切换图标即可。

要选择您想使用的帧导栏选项，请左右拖动滑块，或点按当前所选宽高比两侧的箭头进行调整即可。点按箭头按钮之间的比例显示，还可以输入自定义帧导栏比例。

帧导栏选项如下：

2.35:1、2.39:1和2.40:1

可显示宽屏宽高比，适用于变形或遮幅宽银幕电影。由于电影标准随时间改变，这三种宽高比或采用略微不同的宽屏设置。2.39:1是目前最为广泛使用的标准之一。



LCD触摸屏启用2.40:1帧导栏设置后的显示。

2:1

该选项可显示较16:9略宽的画面比例，但宽度低于2.35:1。

1.85:1

可显示另一种常用的遮幅宽银幕电影宽高比。这种宽高比介于HDTV 1.78:1规格和2.39:1之间。

16:9

显示为1.78:1宽高比，兼容16:9高清电视机和计算机屏幕。该宽高比最常用于HD播出和网络视频。此外，Ultra HD播出也使用这一宽高比。

14:9

可显示某些电视台所用的14:9宽高比，是16:9和4:3电视标准的折中方案。理想状态下，当16:9和4:3素材经中心裁切以符合14:9宽高比时仍然保持清晰画面。如果您的项目可能会在使用14:9宽高比的电视台播出时，可使用此帧导栏作为构图辅助。

4:3

采用4:3宽高比, 适用于SD电视屏幕, 或在使用2倍变形附加镜时帮助构图取景。

1:1

该选项可显示较4:3略窄的1:1画面比例。这一正方形画面比例正在社交媒体领域日渐普及。

4:5

该选项可显示4:5的宽高比。这一纵向画面宽高比是人像和智能手机观看的理想选择。

自定义帧导栏比例

要自行创建帧导栏比例获得独特观感, 可点按箭头图标按钮之间的比例显示。在出现的“自定义帧导栏”屏幕上, 点按删除按钮将当前比例删除, 然后使用数字键盘指定一个新的比例。点按“更新”应用自定义帧导栏比例, 然后回到拍摄画面。



使用“自定义帧导栏”屏幕上的数字键盘输入一个新的帧导栏比例

提示 您可以更改帧导栏叠加信息的不透明度。详情请参考本手册“监看设置”部分的内容。

备注 更多关于在摄影机HDMI输出上启用帧导栏的信息, 请参考本手册“监看设置”部分的介绍。

网格

网格设置可在LCD触摸屏上开启“三分法”、“水平线”、“十字准线”或“中心点”显示，还可以设置在HDMI输出上显示哪些叠加信息。



进入LCD监看选项后，点按网格图标可选择不同的网格设置

网格和十字准线叠加信息可以帮助您构图。开启网格选项后，LCD屏幕上会显示“三分法”、“水平线”、“十字准线”或“中心点”。

要开启或关闭摄影机触摸屏的帧导栏显示，只要在“帧导栏”选项卡中点按屏幕左下角的切换图标即可。

想要选择LCD或HDMI输出上显示哪类叠加信息，只要点按“三分法”、“水平线”、“十字准线”或“中心点”选项即可。您可以一次在水平线、十字准线或中心点选项当中选择一种，和三分法显示。这样能让您结合使用三分法和水平线组合、三分法和十字准线组合，或者三分法和中心点组合。



三分法网格可自动缩放到任意屏幕帧导栏。

三分法

“三分法”设置取画面三分之一处分别加以两条竖线和两条横线组成网格叠加显示。三分法是一种帮助镜头构图的极其强大的工具。例如，人眼通常会注意力落于两条直线的交叉点位置，因此网格非常有助于构图时将关键元素定位在这些重要区域。演员的视线通常都是取景在屏幕上三分之一部分，因此您可以使用上面的那条水平线来帮助您构图。三分法有利于不同镜头间保持构图的一致性。

水平线

“水平线”设置可在摄影机发生左右或者上下倾斜的时候给出提示。这一设置能帮助您手持拍摄时将摄影机保持在水平状态，较好地平衡摄影机在云台上的倾斜情况。

浅灰色竖线偏离中间那条深灰色竖线的移动方向，就表示摄影机当前发生倾斜的方向。当摄影机向下倾斜时，浅灰色横线会向上移动；而当摄影机向上倾斜时，浅灰色横线会向下移动。

这些线条偏离中心十字标线的距离等比对应摄影机发生上下或左右倾斜的程度。校准摄影机的运动传感器之后,只要摄影机对齐横轴和纵轴,十字标线就会变成蓝色,表示摄影机已与横纵轴对齐。

请注意,如果摄影机朝正下方拍摄俯瞰镜头,或朝正上方进行拍摄,水平线指示也会有相应反馈。假如您旋转摄影机来拍摄竖屏画面,水平线指示会将横纵轴也旋转90度。

下面的表格显示了摄影机发生不同方向的倾斜时,水平线所给出的相应指示。

水平线指示	描述
	垂直且水平
	向下倾斜且水平
	垂直且向左倾斜
	向上倾斜且向右倾斜

正常使用时,可将水平线指示校准为垂直且水平。如果您想要使用水平线指示来保持一致的斜角镜头(Dutch Angle),或者保持一致的倾斜角度来拍摄俯瞰或仰角镜头,也可将水平线指示校准为某个斜面角度。更多关于如何校准水平线指示的信息,请查阅“运动传感器校准”部分。

十字准线

“十字准线”设置可在画面中心标以十字准线。十字准线和三分法一样,都是非常有用的构图工具,可以让您轻松将画框的正中心对准某个拍摄对象。在拍摄用于快速剪切的场景时也可能用到这一功能。将观众的视线始终保持在画面中心,能够有助于他们在观看快速剪辑的画面时跟上节奏。

中心点

“中心点”设置是在帧画面的中心放置一个圆点。这一设置和“十字准线”设置的作用完全一样,只不过这一叠加显示更小,因此所造成的干扰也更小。

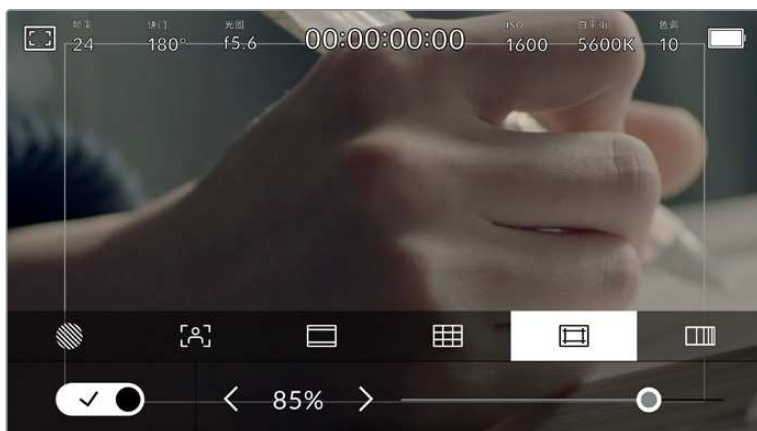
提示 更多关于在HDMI输出上启用网格的信息,请参考本手册“监看设置”部分的介绍。

安全框

“安全框”设置选项用于打开或关闭LCD触摸屏上的安全框,以及设置HDMI输出的安全框尺寸。

安全框是广电制作行业的常用工具,可用来让观众观看到镜头中最重要的内容。将镜头中最重要的部分保留在中心的“安全框”之内,能有效防止在部分电视机上出现画面裁切,并且能留下一定的空间供播出机构在屏幕边缘添加台标、新闻图标和其他叠加信息。许多播出机构都要求交付的影像必须将标题和图文等重要内容包含在90%的安全框范围内。

安全框还可以帮您为镜头构图,方便您在后期制作中裁切图像的边缘来稳定镜头。它们也可以用来显示特定的裁切。比如以Ultra HD 3840x2160记录时将其设置为50%,您可以看到画面经1920x1080裁切后的效果。安全框还会根据帧导栏来调整尺寸,它们会通过调整以显示目标帧的已选百分比。



图为设置到85%的安全框

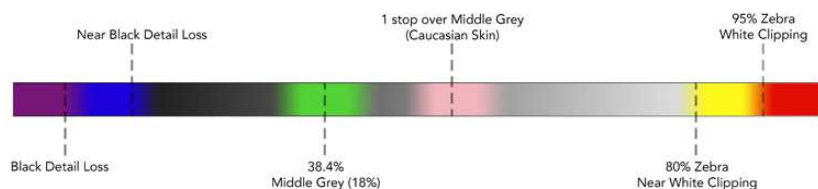
要开启或关闭LCD触摸屏的安全框,只要在安全框界面中点按屏幕左下方的切换图标即可。要设置摄影机HDMI输出的安全框程度,可以点按触摸屏下方当前数值左右任何一边的箭头。或者,您也可以左右拖动滑块进行调整。

伪色

伪色设置可以打开或关闭LCD触摸屏上的伪色曝光辅助。

伪色功能可在您的图像上叠加不同色彩,以代表图像中不同元素的曝光值。例如,粉色代表了适合肤色的最佳曝光,而绿色则是较深肤色调的对应色彩。在记录人物画面时可通过查看粉色或绿色伪色来保持肤色曝光的一致性。

以此类推,当您图像中的元素从黄色变到红色,就意味着现在处于过曝状态。



伪色表

要开启或关闭LCD触摸屏的伪色功能,只要在伪色界面中点按屏幕左下方的切换图标即可。



伪色曝光辅助

每秒帧数

“FPS”提示可显示您当前所选的每秒帧数。



点按帧率提示可进入帧率设置

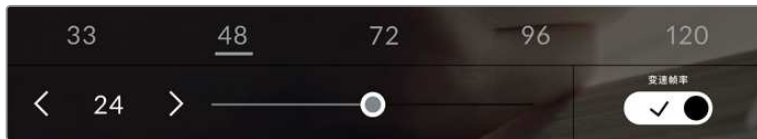
在LCD触摸屏底部的菜单里，点按“FPS”提示可让您更改摄影机传感器及项目帧率。

项目帧率

项目帧率是摄影机的记录格式帧率，它具备电影和电视行业所使用的各类帧率。通常，它会被设定为和您的后期制作工作流程相匹配的帧率。

一共有8种项目帧率设置，分别为每秒23.98、24、25、29.97、30、50、59.94以及60帧。

想要在“FPS”菜单中调整摄影机的项目帧率，请点按触摸屏左下角当前帧率旁边的左右箭头。或者，您也可以左右拖动滑块进行调整。

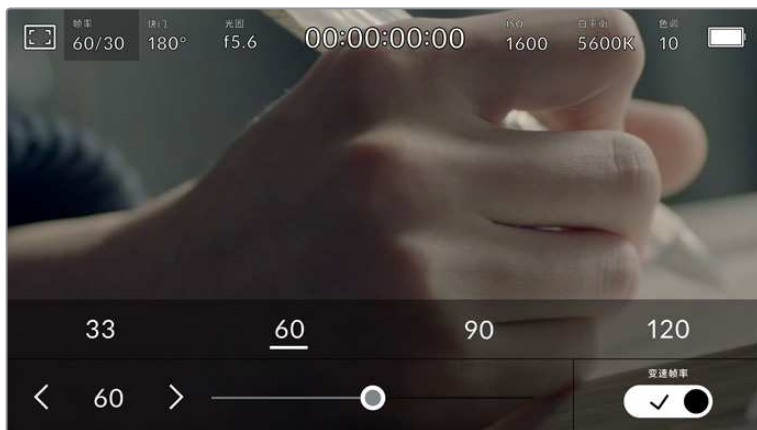


点按项目帧率两侧的箭头或移动滑块进行调整。

提示 Blackmagic Pocket Cinema Camera的项目帧率也设置了HDMI输出上的帧率。

传感器帧率

传感器帧率可设定传感器每秒所记录的实际帧数。这一帧率将会影响视频播放的快慢，视您所设置的项目帧率而定。



启用“变速帧率”选项后，点按某个预设或传感器帧率两侧的箭头图标，或者移动滑块就可进行调整。

默认情况下, 项目和传感器帧率会相互匹配, 以便获得自然的播放速度。但是, 您可以点按摄影机“FPS”菜单右下方的“变速帧率”切换图标来单独设置传感器帧率。

如要更改您的传感器帧率, 请点按触摸屏左下方传感器提示旁边的左右箭头。您也可以左右拖动滑块来增加或减少帧率。放开滑块后, 传感器帧率将完成设置。您可以点按滑块上方的常用变速帧率。这些是根据您当前项目帧率给出的。

您可以设置各种不同的传感器帧率, 使片段播放时呈现出各种丰富有趣的速度效果。当传感器帧率被设置为高于项目帧率时, 播放片段可营造出慢动作效果。例如, 以60fps的传感器帧率进行拍摄, 以24fps的项目帧率进行播放, 能创建出实际速度40%的慢动作效果。换言之, 传感器帧率越是低于项目帧率, 播放片段时就越快。这一原理类似于电影摄影机的快速拍摄 (Overcranking) 和慢速拍摄 (Undercranking)。快速拍摄可增高传感器帧率, 因此播放时可拖慢镜头画面进程, 起到突出强调的作用。慢速拍摄可降低传感器帧率, 因此回放时可加快画面的速度, 从而使画面更具动感。这一设置可为您提供无限的创作空间!

关于每个记录格式和编解码可用最大帧率的信息, 请参阅本手册“记录”章节的表格。

备注 选中“变速帧率”时, 音频和视频就不再同步。即使设置了相同的项目帧率和传感器帧率也是如此。因此, 如果您想要确保音频同步, 就避免选择变速帧率。

快门

“快门”提示可显示您的快门角度或快门速度。点按此提示可手动更改摄影机的快门数值或配置基于快门的自动曝光模式。快门类型设置可通过显示快门信息来选择“快门角度”或“快门速度”。详情请参考本手册中关于“设置”部分的介绍。



点按“快门”提示进入快门设置

快门角度或快门速度定义了视频中运动模糊的级别, 可对不同的光线条件进行补偿。大多数情况, 180度的快门角度是拍摄令人满意的运动模糊的最佳选择, 相当于1/50秒的快门速度。但是, 请根据照明条件的变化或画面中动作的多少对快门角度进行相应的调整。

例如, 360度时快门为“全开”, 此时感光器可接收到最多光线。这适用于低光照条件且画面中只有轻微的动作部分。但是, 如果拍摄快速移动的物体来说, 90度等较窄的快门角度可将运动模糊降到最低, 从而获得更为锐利清晰的图像。与快门角度相对应的快门速度取决于您所使用的帧率。

例如, 如果您以25帧每秒拍摄, 那么360度相当于1/25秒, 90度相当于1/100秒。

备注 在照明环境下拍摄时, 快门可影响闪烁程度。Blackmagic Pocket Cinema Camera会根据当前的帧率自动计算出防闪烁快门数值。当您调整快门时, 触摸屏下方将会显示三个防闪烁快门建议选项。这些快门数值可能会受到您所在地区的主电源频率的影响。您可以在摄影机的设置菜单中将本地电源频率设为50Hz或60Hz。详情请参考本手册中关于“设置”部分的介绍。

点按触摸屏底部的“快门”提示可调出快门数值菜单。如果您将自动曝光设为关闭状态, 此时屏幕将显示您当前所选的快门数值, 并将显示出根据您在摄影机“设置”菜单中所选的主电源频率所得出的所有可用的防闪烁快门数值。详情请参考本手册“设置”部分的内容。

备注 即使使用防闪烁快门数值, 每类光源所具备的特点也依然有可能导致闪烁现象。如果您使用的不是持续光源, 我们建议拍摄前请始终进行测试。

如要选择某一种防闪烁快门值, 只需点按一个显示的快门值。使用当前快门值提示两侧的箭头可逐个查看一些最常用的值。



摄影机将根据您在“设置”菜单中所选的主电源频率给出一组防闪烁快门数值建议。

如果您在户外拍摄, 或使用防闪烁照明, 还可以到屏幕左下方连按两下当前快门提示图标来手动选择一个快门数值。当选定快门角度时, 该操作会调出一个数字键盘, 您可以用它来设置5度到360度之间的任意快门角度。



当在户外拍摄或使用防闪烁照明时, 可使用这一数字键盘手动键入您想要的快门角度。

Blackmagic Pocket Cinema Camera 设有三类基于快门的自动曝光模式。要选择三者之一, 请点按快门菜单最右侧的“自动曝光”按钮。

快门

该设置可自动调整快门数值来确保恒定曝光，并同时保持光圈不变。如果您需要保持景深不变，请选择这一设置。值得一提的是，细微的快门自动调整可能会影响到运动模糊。此外，也请您留意室内拍摄时不同的照明条件可能会造成闪烁现象。自动光圈功能在选择“快门”自动曝光模式时不可使用。

快门+光圈

该设置可先调整快门，再调整光圈，以保持正确的曝光水平。如果已达到最大或最小快门值，曝光仍不能维持，那么摄影机将开始调整光圈值来保持曝光恒定。

光圈+快门

该设置可先调整光圈，再调整快门速度，以保持正确的曝光值。如果已达到最大或最小光圈值，曝光仍不能维持，那么摄影机将开始调整快门值来保持曝光恒定。



在快门菜单中，点按“自动曝光”可进入基于快门的自动曝光模式选项。

提示 当影响快门或光圈的自动曝光模式启用时，LCD触摸屏上方的快门或光圈提示的旁边会出现一个“A”字母小标。

光圈

“光圈”提示可显示您当前的镜头光圈。点按此提示可更改兼容镜头的光圈并配置基于光圈的自动曝光模式。



点按“光圈”提示可进入光圈设置

备注 如果要使用LCD触摸屏调整光圈，您的Blackmagic Pocket Cinema Camera必须要搭配支持通过摄影机更改光圈的镜头。

点按“光圈”提示一次可调出触摸屏底部的光圈菜单。当前镜头光圈将显示在此菜单的最左侧。想要更改光圈，可点按当前光圈两侧的箭头或左右拖动滑块。



在“光圈”菜单下时，点按光圈提示左右两侧的箭头或使用滑块来调整光圈设置。

点按光圈菜单最右侧的“自动曝光”的开关图标可打开光圈自动曝光菜单。

该操作可调出以下自动曝光选项。

光圈

该设置可自动调整光圈来确保恒定曝光，并同时保持快门角度不变。它可保持运动模糊不受影响，但可能会影响景深。

光圈+快门

该设置可先调整光圈，再调整快门速度，以保持正确的曝光值。如果已达到最大或最小光圈值，曝光仍不能维持，那么摄影机将开始调整快门值来保持曝光恒定。

快门+光圈

该设置可先调整快门，再调整光圈，以保持正确的曝光水平。如果已达到最大或最小快门值，曝光仍不能维持，那么摄影机将开始调整光圈值来保持曝光恒定。

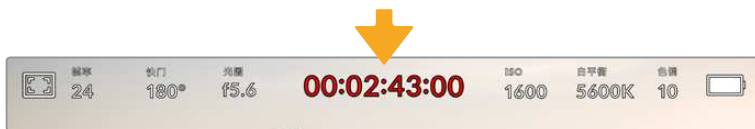


当位于光圈菜单时，点按“自动曝光”可进入基于光圈的自动曝光模式选项。

提示 当影响光圈或快门的自动曝光模式启用时，LCD触摸屏上方的光圈或快门提示旁会出现一个“A”字母小标。

时长显示

您可以在摄影机的LCD触摸屏上方看到摄影机的时长显示。



摄影机在记录时，其时长显示会变成红色。

时长显示为您提供了一个时间码计数器，可用于检查素材片段长度并在记录和播放时监看时间码。计数器以时：分：秒：帧的顺序显示，当记录或播放片段时将按照这一计时方式进行。记录时，时间码会变成红色。

显示时长会从00:00:00:00开始。当前片段或最后记录片段的时长将显示在触摸屏上。当日时间的时间码会嵌入片段，以便后期制作时使用。

想要查看时间码，只要点按时长显示即可。再次点按时长显示可回到片段时长。

时长显示周围还可能出现以下其他状态提示：



当Blackmagic Pocket Cinema Camera使用裁切传感器模式时，此标识会出现在时长显示的左侧。



当显示时间码时，此标识会出现在时长显示的右侧。



当外部LTC时间码通过3.5mm立体声输入口连接有效时，此标识会出现在时长显示的右侧。



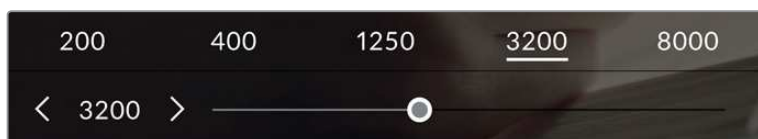
当摄影机在完成“拥塞同步”并断开连接后脱离其内部时间码时，此标识会出现在时长显示的右侧。

ISO

“ISO”提示可显示摄影机当前的感光度设置。点按此提示可调整ISO值来用于不同的照明条件。



点按ISO提示可进入感光度设置。



进入ISO菜单后，LCD触摸屏的下方会显示摄影机的ISO设置。预设下方的滑块能以1/3挡的增量调整ISO。

这一ISO设置可能会偏高或偏低，因此请根据拍摄现场的不同情况妥善设置。例如，在低照度条件下拍摄时可使用ISO 25,600的设置，但可能造成一些可见噪点。而在明亮环境下拍摄时，则可使用ISO 100的设置，以便获得更浓郁的画面色彩。

双原生ISO

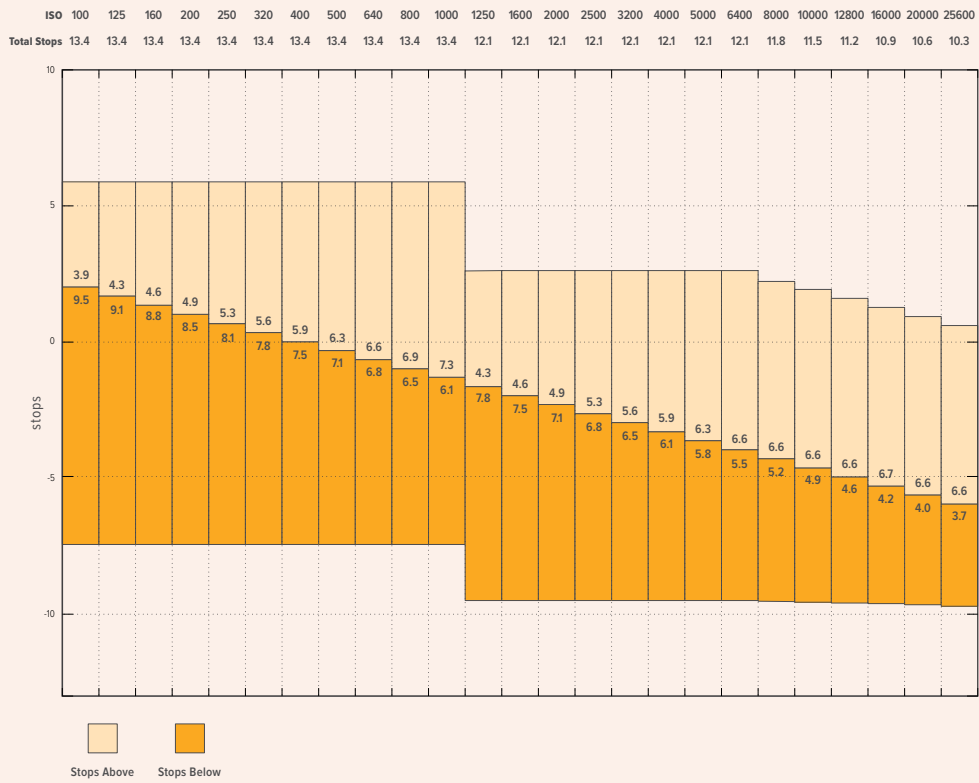
Blackmagic Pocket Cinema Camera设有400和3200双原生ISO功能，因此其传感器经过优化，可胜任低照度条件和明亮日光环境的拍摄。

请根据不同照明条件调整ISO，摄影机的双原生ISO功能可在后台运行，以确保拍摄画面清晰，并且低和高ISO设置下噪点均保持在最少。

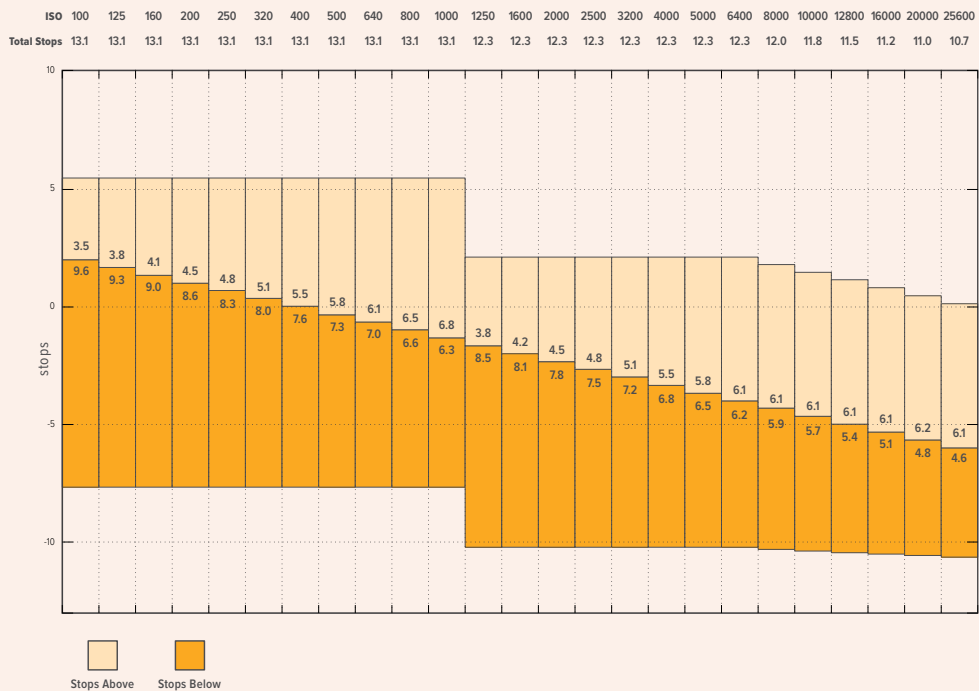
100到1000之间的ISO设置会使用400的原生ISO设置作为参考点。1250到25600之间的ISO设置会使用3200的原生ISO设置作为参考。如果您的拍摄条件可以选择ISO 1000或1250，我们建议将镜头的光圈调低一档，这样就可以选择ISO 1250，从而启用较高的原生ISO功能来获得更加清晰的拍摄画面。

下面的图表显示了ISO选项和动态范围配置之间的关系。

Blackmagic Pocket Cinema Camera 6K动态范围

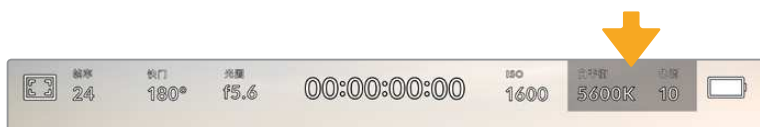


Blackmagic Pocket Cinema Camera 4K动态范围



白平衡






“白平衡”和“色调”提示可分别显示摄影机当前的白平衡和色调设置。点按这两个提示可让您根据不同的照明条件来调整摄影机的白平衡和染色设置。



点按“白平衡”和“色调”可分别进入相应设置。

每种光源都会发出一种色调。例如，烛光会发出暖色调，阴天会发出冷色调。白平衡设置用于图像的色彩平衡，通过综合调整图像中的橙色和蓝色以确保白色物体在拍摄到的画面中依然为白色。例如，在钨丝灯下拍摄时会发出暖色的橙光，因此可选择3200K为图像添加一些蓝色调。如此平衡颜色后，白色可以被准确记录下来。

Blackmagic Pocket Cinema Camera包含多种白平衡预设，适用于各类色温条件。具体设置有：

	明亮日光	(5600K)
	白炽灯	(3200K)
	荧光灯	(4000K)
	混合照明	(4500K)
	多云	(6500K)

只要点按或长按白平衡菜单左下方色温提示的左右箭头图标，就可以自定义更改任意预设。每点按箭头图标一次可将色温上调或下调50K，长按箭头图标则能加快调整速度。您也可以滑动白平衡菜单的色温滑块进行调整。

想要进一步调整图像，可以调整色调参数。此设置可综合调整图像的绿色和品红色。例如，添加品红可补偿荧光灯的绿色色偏。很多摄影机的白平衡预设都包括一些色调调整。



点按白平衡和色调提示可让您获得五种预设，以及左侧的白平衡提示和滑块，和右侧的色调提示。请根据不同的照明条件来调整自定义白平衡设置。

位于白平衡菜单下时，摄影机当前的色调设置会显示在屏幕右下方。点按或长按色调提示的左右箭头可调整色调。调整范围在-50到+50之间，以一挡为单位进行调整。长按箭头图标可加快调整速度。

备注 自定义白平衡或色调设置会把您的预设更改为“CWB”，也就是“自定义白平衡”。自定义白平衡是恒定的；您的CWB设置在重启、切换到预设及切换回CWB时都将保持配置不变。这样您就可以轻松将自定义白平衡和上一次所使用的预设相比较。

自动白平衡

Blackmagic Pocket Cinema Camera可自动设置白平衡。点按“AWB”可调出白平衡设置界面。

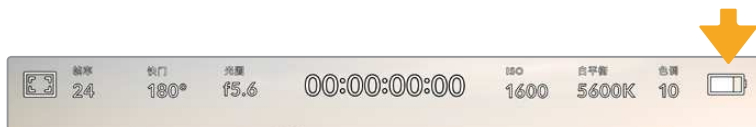
自动设置白平衡时，画面中心将出现一个方框。请将此方框对准画面中某个中性色调的部分，如白卡或灰卡，并点按“更新白平衡”。摄影机将自动调整白平衡和色调值，使白平衡方框内的白色和灰色平均值尽量保持中性。更新后，此数值可设为您摄影机的自定义白平衡设置。长按三秒摄影机顶部的“白平衡”按钮也可选择自动白平衡并激活“更新白平衡”功能。



在白平衡菜单中点按“AWB”图标，可调出自动白平衡设置界面。将界面中的方框对准白色或中性灰色表面来自动设置一个中性白平衡。

电源

摄影机的电源和电量状态会显示在LCD屏幕的右上角。

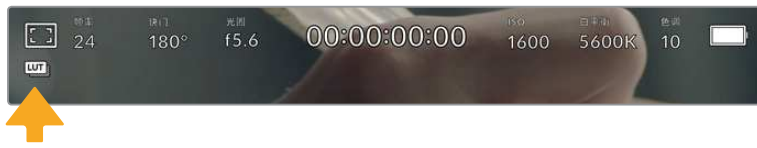


使用电池供电时，点按电源提示可切换不同的显示方案。

	AC	可在摄影机连接到主电源时显示。
	AC / 正在充电	可在摄影机连接到主电源，并同时为移动式LP-E6 电池或Blackmagic Pocket Camera Battery Grip (如有使用) 上的NP-F570电池充电时显示。
	百分比	如果您的电池支持以百分比显示电量，那么该电池图标将以百分比的形式显示剩余电量，以1%为单位变化。当电池剩余电量为20%时，电量条将变成红色。点按电池图标可开启或关闭百分比显示。
	电量条	该电池图标可显示摄影机内安装的电池电量，以25%为单位变化。当电池剩余电量为20%时，电量条将变成红色。
	电池手柄电量条	如果为摄影机安装了Blackmagic Pocket Camera Battery Grip电池手柄可通过这个电量条显示来单独监控两块电池的状态。
	电压	该图标可显示电池、适配器上的DC电源接口、D-Tap转接线或自定义电源方案所提供的电压。点按电池图标可开启或关闭电压显示。

LUT提示

当您在现场将LUT作为预览工具使用时，屏幕左上角会显示LUT图标，提示您当前正在使用LUT。



直方图

直方图位于摄影机触摸屏的左下方。直方图会沿横向标尺显示暗部和亮部的对比。



直方图能向您反馈片段中阴影和高光部分的色调范围，此外，直方图还非常适合用于查看曝光平衡度，以防止图像的亮部区域被裁切。

直方图最左侧显示的是阴影或暗部细节，最右侧显示的是高光或亮部细节。当您关闭或打开镜头光圈时，会注意到直方图里的信息会相应地向左或向右移动。您可以使用它来查看图像暗部和亮部裁切情况。如果直方图的两侧边缘不是呈平缓下降态势，而是忽然被截断，那就说明可能有亮部或暗部细节丢失。

备注 如果触摸屏左下方没有显示直方图，这可能是您将LCD监视屏设置为显示“编解码码和分辨率”。请阅读本手册“监看设置”部分的内容获取更多信息。

记录按钮

Pocket Cinema Camera触摸屏底部的直方图旁边有一个灰色的圆形按钮。这就是记录按钮。点按一次开始记录，再点按一次可停止记录。记录时，Pocket Cinema Camera触摸屏上方的这一按钮、存储卡提示以及时间码均会变成红色。



记录按钮位于LCD触摸屏底部的存储介质提示一侧



记录时，记录按钮会显示为红色。

对片段套用LUT

如果您在“记录”设置选项卡中选择对记录片段套用LUT，触摸屏就会在待命模式和记录时给出相应提示。



LUT图标能提示您片段将使用所选LUT一同记录。



当所选LUT和片段一同记录时，将显示LUT图标。

丢帧提示

如果记录按钮上重叠显示一个闪烁的“!”，就表示摄影机在记录时出现丢帧。与之相关联的存储卡所对应的剩余时间提示也将变成红色。例如，如果您的CFast卡出现丢帧，记录按钮上就会出现“!”提示，并且CFast卡的剩余时间提示将变成红色。这样一来，您就能明确是哪张存储卡无法达到当前所选的编解码和分辨率。如果您在之前记录的片段上出现丢帧，屏幕也会显示丢帧提示，这一提示将持续存在，直到记录其他片段，或重启摄影机。更多关于如何避免丢帧现象的信息，请参考“选择CFast 2.0卡”和“选择SD卡”部分的介绍。



图中的丢帧提示表示CFast卡出现丢帧。

备注 您可以将Blackmagic Pocket Cinema Camera设置为检测到丢帧时停止记录，以免录下不稳定的画面。详情请参考本手册“记录设置”部分的内容。

剩余记录时间

摄影机内插入CFast、SD卡或USB-C硬盘时，触摸屏底部的存储卡提示会显示存储卡或USB-C硬盘剩余的记录时间。时间以分钟的格式显示，具体显示内容取决于您所选择的帧率及编解码格式。当上述两项设置中的任何一项发生改变时，该提示会自动重新计算剩余时间。当存储卡或存储盘上只剩5分钟左右的记录时间时，该提示的文本会变成红色，仅剩2分钟记录时间时则会闪烁。当存储卡或存储盘达到最大容量时，该提示会显示“已满”。



存储卡提示可显示CFast卡、SD卡或USB-C硬盘的名称，并能以分钟显示剩余记录时间。

位于剩余时间上方的小信息条也会相应显示存储卡或存储盘的名称。信息条变成蓝色时，表示摄影机将使用该存储卡或USB-C硬盘进行记录。如果要在其他存储卡或存储盘上进行记录，按住相应存储卡或USB-C硬盘的名称进行更换即可。记录时，信息条将会变成红色。

点按存储卡提示可打开存储卡和格式化菜单。



在LCD触摸屏上点按存储卡提示可调出存储管理器界面。

该菜单可显示当前摄影机中每个CFast卡、SD卡或USB-C硬盘上的剩余空间、存储卡或存储盘的名称、最后一个片段的长度、每个存储卡或存储盘的片段数量，以及每张存储卡或存储盘的文件格式。

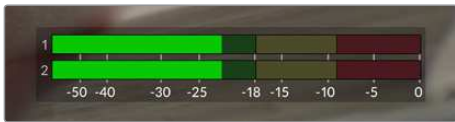
您可以通过这个菜单格式化存储介质。详情请参考本手册“存储介质在记录前的准备事项”部分的介绍。

提示 点按存储菜单上的存储卡或存储盘图标名称可将其设定为当前所使用的存储卡或存储盘。Blackmagic Pocket Cinema Camera会首先在这张存储卡或存储盘上记录。

音频表

当使用内部麦克风或连接外部音频时，峰值音频表可显示通道1和通道2的音频电平。该表以dBFS为单位，并有削波警告功能，可在出现音频过载时以红标提示，并停留片刻，从而有效防止因削波过于短暂而被忽略的情况。

为获得最佳音质，请确保将音频电平控制在0 dBFS警戒线以下。这是您的摄影机可记录的最高电平，也就是说任何超过此电平的音频会被裁切掉，并导致声音失真。



音频表上的彩色显示条代表了峰值音频电平。理想状态下，峰值音频电平应处在绿色区域。如果音频峰值冲到了黄色或红色区域，音频就极有可能出现削波。

您可以点按音频表来调出音频输入通道1和2的音量控制，以及耳机或扬声器音量菜单。



在LCD触摸屏上点按音频表可轻松进入音量和耳机或扬声器设置。

双击放大

连续两次点按LCD触摸屏可放大Blackmagic Pocket Cinema Camera预览图像的任何部分。您点按的区域将被放大，在LCD触摸屏上用指尖拖动图像可将其来回移动。这非常有助于检查对焦。要回到标准缩放模式，只要再连续点按两次摄影机触摸屏即可。

捏拉缩放

您可以使用捏拉缩放多点触控手势来调整LCD触摸屏的缩放程度。该操作不会影响HDMI输出上的画面。

要进入2倍缩放操作模式，可连按两次触摸屏或按摄影机后侧的“对焦缩放”图标按钮。然后再使用捏拉手势更改缩放程度。您可以在触摸屏上用指尖拖动图像来移动放大的部分。要回到标准缩放操作模式，可再次连按两次触摸屏或按“对焦缩放”图标按钮。

每次您连按两下触摸屏或按“对焦缩放”图标按钮时，缩放程度会在上一个缩放级别和全屏视图之间切换。例如，捏拉缩放到8倍缩放操作模式后，连按两次可缩小，再连按两次又会回到8倍缩放操作模式。

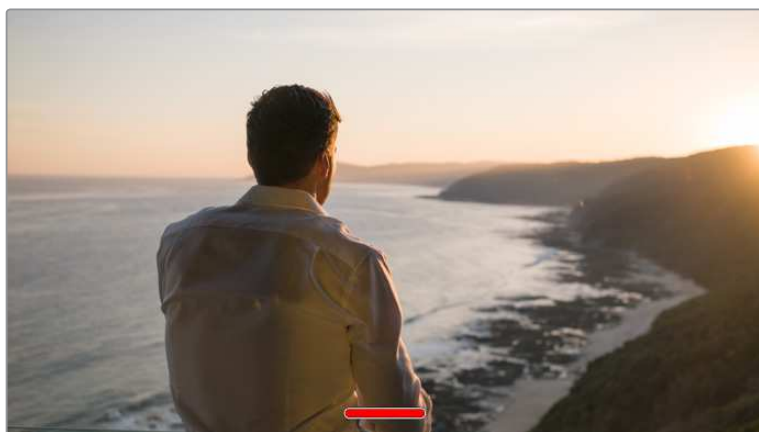
点触式对焦

您可以通过长按LCD屏幕，让镜头对画面中的特定区域进行对焦。按下对焦按钮可让镜头对所选区域进行对焦。连按两次对焦按钮可将对焦点重置到屏幕的中心位置。

纯画面显示模式

如果您在取景或对焦时想要暂时隐藏触摸屏的状态信息文字和各项技术监看选项, 这一功能会非常有用。向上或向下滑动LCD触摸屏即可一次性隐藏所有显示信息。记录提示、帧导栏、网格、对焦辅助以及斑马纹信息将依然显示。

再次向上或向下滑动LCD触摸屏即可重新调出状态信息和技术监看显示信息。



在LCD触摸屏上, 用指尖上下滑动可隐藏所有的状态提示

播放菜单

点按播放控制按钮可进入播放菜单。您可以通过摄影机控制按钮或LCD触摸屏来控制之前记录的片段。

当使用LCD触摸屏时, 点按播放按钮一次可开始播放, 再次点按该按钮可暂停播放。按前进或倒退按钮可跳到片段的开始或结束处。按前进按钮一次可跳至下一个片段。按后退按钮一次会跳转到当前素材片段的起始位置, 按两次则跳转到上一个片段的起始位置。您还可点按循环图标激活片段的循环播放模式。



后退、播放、前进和循环图标。

想要快进或快退, 可长按前进或后退按钮。根据您所按的播放控制按钮, 系统将以两倍于常规速度前进或后退播放素材片段。

快进和快退时, 您可以再次点按播放控制键来更改穿梭速度。每按相同方向的播放控制键一次, 穿梭速度就会翻倍。最高可达正常速度的16倍。当位于16倍速度时, 继续点按播放控制键则会回到2倍速度。每按反方向的播放控制键一次, 穿梭速度就会减半, 直到2倍速度为止。点按播放按钮可回到正常播放速度。



穿梭速度提示可显示快进或快退片段的速度和方向。

在播放模式点按记录控制按钮可回到摄影机“待命”模式, 准备开始记录。

提示 播放素材片段时, 在触摸屏上下滑动可隐藏状态信息。在播放模式下进入场记板可在元数据中将当前片段标记为“好镜次”。详情请参考“录入元数据”部分的介绍。

设置

主菜单

按下菜单按钮可打开摄影机的主菜单界面。这个菜单采用选项卡界面，可提供触摸屏上没有的设置。设置按照功能分为“记录”、“监看”、“音频”、“设置”、“预设”以及“LUT”选项卡。每个选项卡均设有分页，点按摄影机触摸屏边缘的左右箭头或左右滑动便可逐页浏览。



点按“记录”、“监看”、“音频”、“设置”、“预设”以及“LUT”选项卡，可在Pocket Cinema Camera主菜单的各个选项卡间移动。

记录设置

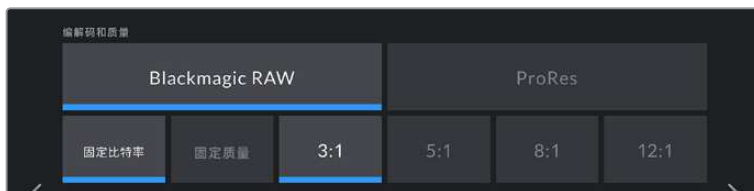
“记录”选项卡可让您设置视频格式、编解码格式及分辨率，以及记录视频所需的其他重要设置，例如动态范围和细节锐化等。

记录设置 1

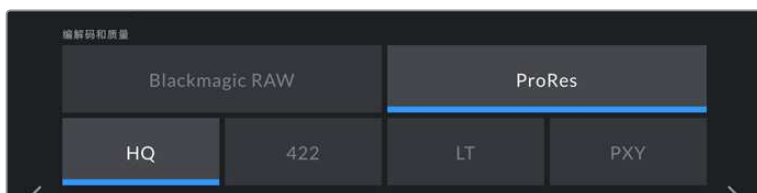
“记录”设置选项卡的第一页包含以下设置：

编解码和质量

“编解码和质量”菜单分为两行。第一行可让您在Blackmagic RAW和Apple ProRes这两大编解码系列间进行选择；第二行则列出了这两大系列中可选的质量选项。例如，ProRes编解码类型可用的质量选项有ProRes 422 HQ、ProRes 422、ProRes 422 LT和ProRes 422 Proxy。Blackmagic RAW的选项分为四个“固定比特率”和两个“固定质量”设置。



“编解码和质量”菜单下的Blackmagic RAW选项



“编解码和质量”菜单下的ProRes选项

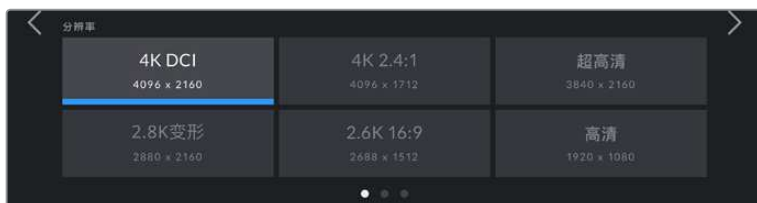
提示 选择更高压缩程度的编解码格式会提高Blackmagic Pocket Cinema Camera存储介质上记录的视频数量。具体请参考“记录”章节中给出的“记录时长表”。

分辨率

“分辨率”设置可与“编解码”设置搭配使用。使用它为您想要记录的格式选择相应的分辨率。例如，要使用ProRes HQ来记录Ultra HD片段，请在“编解码和质量”菜单中选择“ProRes”和“HQ”。然后在“分辨率”菜单中选择“超高清”。



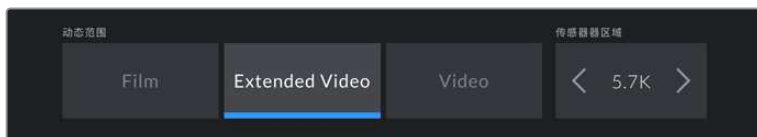
使用Blackmagic RAW编解码格式时，Pocket Cinema Camera 6K的“分辨率”选项



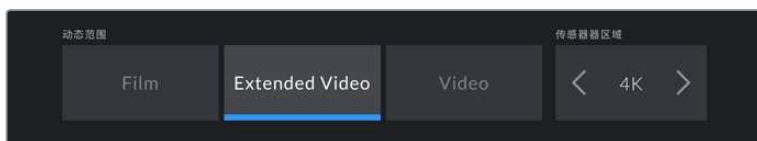
Pocket Cinema Camera 4K的“分辨率”选项。请注意，在4K DCI格式下，菜单类别为“分辨率”，其他格式下，菜单类别为“分辨率 - 传感器裁切模式”。

记录设置 2

“记录”设置选项卡的第二页含有下列设置：



Pocket Cinema Camera 6K的“动态范围”和“传感器区域”选项。



Pocket Cinema Camera 4K的“动态范围”和“传感器区域”选项。

动态范围

点按“动态范围”图标来调整动态范围设置。Blackmagic Pocket Cinema Camera拥有三挡动态范围设置：

Film	在“Film”模式下时，摄影机会使用对数曲线进行拍摄以确保最佳动态范围，并最大程度丰富视频信号的信息，以便您充分利用DaVinci Resolve等调色软件。
Extended Video	“Extended Video”设置在“Video”和“Film”动态范围之间提供了良好的平衡。该设置提供了比“Video”更宽的动态范围，同时应用了轻微的对光度改变，对高光进行柔化过渡处理。“Extended Video”适合标准广播级监视器使用，当您后期制作时间有限，并且希望给录制的片段添加满意的效果时，该设置十分有用。
Video	“Video”设置类似REC 709色彩标准，可拍摄获得高清视频。这样就能以适合直接发布或者只需少量后期处理的色彩空间来直接记录压缩视频格式，从而提高您的工作效率。

备注 使用“Film”电影动态范围模式记录Blackmagic RAW和ProRes格式时，触摸屏上显示的画面看上去会比较灰暗平淡。这是因为图像文件中包含大量尚未调色的数据，因此不适用于标准显示器。但是，记录电影动态范围时，您可以使用专为模仿标准对光度所设计的LUT，也就是查找表，通过触摸屏和HDMI输出监看视频。详情请参阅本手册“3D LUT”部分的内容。

传感器区域

Blackmagic Pocket Cinema Camera 4K可设置为使用全部传感器区域，如果要使用更高的帧率，还可以使用裁切传感器模式。该模式只使用所选视频格式需要的传感器像素，而不是在全传感器的基础上缩小画面。部分格式结合了裁切和缩放，例如Pocket Cinema Camera 6K设有在全部传感器基础上进行缩放、在5.7K裁切传感器基础上进行缩放，以及在2.7K裁切传感器基础上进行缩放的不同HD格式。

由于裁切模式只使用摄影机传感器的中心区域，镜头的视野就会因为裁切而变得相对较窄。比如，当使用20mm规格的镜头在裁切传感器模式下拍摄HD素材时，视野就相当于Blackmagic Pocket Cinema Camera 4K搭载40mm规格的镜头。

如果您用摄影机拍摄Ultra HD或HD ProRes等低于摄影机最大分辨率的视频时，就可以使用这一设置。

拍摄2.8K 17:9裁切传感器模式以及在2.7K裁切传感器模式基础上进行缩放调整的HD格式时，Pocket Cinema Camera 6K可达到最快帧率。拍摄2.6K 16:9模式以及HD裁切模式时，Pocket Cinema Camera 4K可达最快帧率。

更多关于“全部”和“裁切”格式的详细信息，请查阅“最大传感器帧率”部分的介绍。

项目帧率

“项目帧率”能提供影视行业常用的不同帧率选择。例如每秒23.98帧。这一帧率通常会设定为与您后期制作流程和交付所需要的播放速度和音频同步所匹配的帧率。

一共有8种项目帧率设置，分别为每秒23.98、24、25、29.97、30、50、59.94以及60帧。

变速记录

默认情况下，项目和传感器帧率会相互匹配，以便获得自然的播放速度。但是，点按“变速记录”开关图标就可以单独设置传感器帧率。

变速帧率

启用“变速记录”后，只需点按“变速帧率”提示一侧的箭头就可以设置摄影机的传感器帧率。

传感器帧率可设置从传感器上每秒实际记录的帧数，帧率则根据您设定的项目帧率来影响视频播放的快慢程度。

请参考本手册“触摸屏功能”部分中关于“每秒帧数”的介绍了解变速帧率的信息。

备注 关于每个记录格式和编解码可用最大帧率的信息，请参阅本手册“最大传感器帧率”部分给出的表格。

偏好使用的存储卡

当两个卡槽都安装有存储卡或存储盘时，“偏好的存储卡”设置可选择Blackmagic Pocket Cinema Camera首先在哪一张存储卡上开始记录。可用选项有“CFast卡”、“SD卡”以及“最满的卡”。您可以根据个人喜好选择CFast卡或SD卡，但不论选择哪张存储卡，只要每次选择都一致，存储卡已满时您就知道要先更换哪张。从事单机位拍摄项目时，“最满的卡”选项可有助于按时间顺序进行文件文组。

插入CFast卡或SD卡，您所选的设置就会被应用。您可以进入存储管理器并点按存储卡名称来将其设置为“使用中”，从而随时覆盖这一设置。需要着重强调的是，弹出再重新插入存储卡操作将会令摄影机还原到当前“偏好的存储卡”设置。

提示 “最满的卡”设置是基于记录存储介质的存储百分比决定的，而不是存储卡的内存或已用数据。

存储卡丢帧时停止记录

检测到丢帧时，可使用“存储卡丢帧时停止记录”设置来配置Blackmagic Pocket Cinema Camera。关闭该选项时，摄影机检测到丢帧后仍将继续记录。开启该选项时，摄影机检测到丢帧后会停止记录。这一设置可有效避免您在未察觉丢帧提示的情况下继续花时间记录不可用的素材。

提示 更多关于防止丢帧的介绍，请参考“存储介质”部分的内容。

记录设置 3

“记录”设置选项卡的第三页含有下列设置：



延时摄影

“延时摄影”设置能在以下区间激活间隔拍摄功能自动记录静帧：

帧	2 – 10
秒	1 – 10、20、30、40、50
分	1 – 10

比如，您可将摄影机设置成每隔10帧、5秒、30秒或5分钟记录一个静帧。

延时摄影功能可为您提供多种创作选择。例如，设定每2帧记录一个静帧，那么视频在播放时可呈现高速播放效果。

按记录按钮即可开始影像记录。再次按下该按钮时可停止记录，延时摄影的图像序列会被保存为单个片段，并且和您在摄影机中设置的编解码和帧率相匹配。这样一来，您就可以像处理其他记录的片段一样，将延时摄影序列直接导入后期制作时间线上。



启用延时摄影模式时，记录按钮上会叠加显示相应图标

提示 当使用延时摄影模式记录片段时，视频中每记录一帧时间码计数器就会相应更新。

细节锐化

使用“细节锐化”设置可锐化图像。启用锐化功能时，选择“默认”、“中”及“高”选项可降低或升高锐化的程度。

启用锐化功能时，锐化效果会被应用到摄影机所记录的ProRes视频上以及HDMI输出上。

这一设置是为棚内直播制作所设计的，这类摄制通常不具备后期制作时间，而是需要直接输出现场拍摄画面。如果您所记录的图像需要进行后期制作，我们建议您将此设置保留在关闭状态。当设置为Blackmagic RAW编解码格式时，细节锐化功能会被禁用。

将LUT记录到片段

Blackmagic Pocket Cinema Camera不会默认对记录的素材套用或“烧录”LUT，但是您可以点按“将LUT记录到片段”开关图标，选择将LUT“烧录”到素材中。

如果您在后期制作阶段没有时间对素材进行调色，或者需要直接将素材交付给客户或剪辑师，这一选项就会十分有用。更多信息请参考“3D LUT”和“触摸屏控制”部分的介绍。

在文件中套用LUT

如果使用Blackmagic RAW编解码拍摄，并且在摄影机的HDMI输出上套用LUT，那么所选LUT就会嵌入到正在记录的Blackmagic RAW文件中。这意味着这个LUT将被保存在相应文件的头文件中，可在后期制作环节轻松应用到片段上，无需处理单独文件。将记录菜单中的“在文件中套用LUT”开关设置为开启状态后，在Blackmagic RAW Player播放器和DaVinci Resolve中打开这个片段时，画面上就已所选的LUT。LUT可轻松开启或关闭，但会始终跟随Blackmagic RAW文件，因为它是写入到片段上的。

DaVinci Resolve的RAW设置面板中还设有一个“Apply LUT”（套用LUT）开关，可用来启用和禁用Blackmagic RAW文件中的3D LUT。DaVinci Resolve中的“套用LUT”设置和摄影机中的设置相同。也就是说，在您拍摄时，可以在摄影机中进行设置从而告诉调色师使用这一LUT，而调色师则可以在DaVinci Resolve中使用“套用LUT”开关将它关闭。

文件命名格式

根据您的选择，素材片段可在CFast卡、SD卡或USB-C硬盘上以Blackmagic RAW格式或ProRes QuickTime电影格式来记录。

文件命名格式示例详见下表：

A001_08151512_C001.mov	QuickTime电影文件名称
A001_08151512_C001.mov	摄影机索引
A001_08151512_C001.mov	卷号
A001_08 15 1512_C001.mov	月
A001_0815 15 12_C001.mov	日
A001_081515 12 _C001.mov	时
A001_08151512_ 12 _C001.mov	分
A001_08151512_ C001 .mov	片段编号

使用静帧按钮采集的静态图像文件会采纳视频片段的文件命名格式，但文件名的最后四位字符会以“S001”表示“静帧”，以替代片段编号。更多关于如何更改摄影机索引的信息，请参考“项目元数据”部分的介绍。

监看设置

“监看”选项卡可用于调整Blackmagic Pocket Cinema Camera在LCD触摸屏以及摄影机HDMI输出上显示的状态信息、叠加信息以及其他监看选项。选项根据输出排列依次为“LCD”、“HDMI”和“全部”，包括了影响LCD和HDMI输出的各项监看设置。这些菜单都有两页选项，您可以点按摄影机触摸屏边缘的箭头，或者左右滑动屏幕来逐页查看。

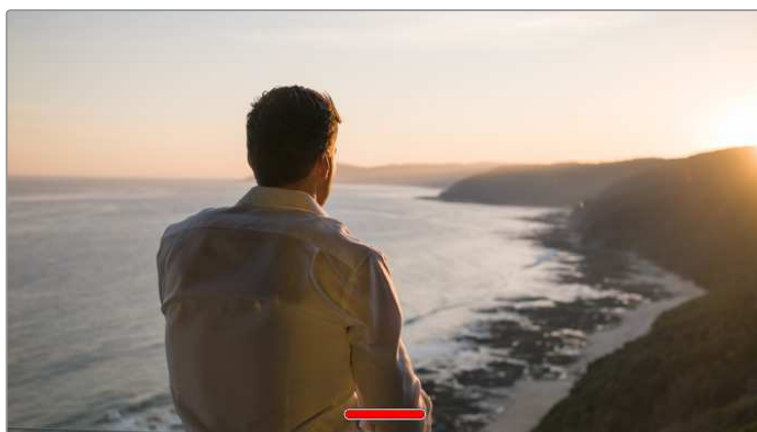
监看设置 1

在“监看”选项卡的第一页上，每个输出的监看设置是完全相同的。例如，您可以开启LCD触摸屏的“斑马纹”显示，但关闭HDMI输出上的这一显示内容。



纯画面

点按“纯画面”开关来全面禁用某路输出在“LCD”或“HDMI”菜单中的所有状态信息和叠加信息，只留下表示记录的Tally提示灯。



即便在纯画面模式下，摄影机也会显示Tally记录提示灯。

备注 LUT将依然应用到启用了“纯画面”的输出上。要禁用LUT，请关闭相应“监看”菜单中的“显示LUT”开关。

显示3D LUT

Blackmagic Pocket Cinema Camera可将多种3D LUT套用在输出上, 模拟出素材在调色之后的大致效果。在使用“Film”动态范围记录片段时, “显示3D LUT”就十分有用。

如果您的摄影机启用了3D LUT, 请使用这一设置将该LUT单独应用到LCD触摸屏或HDMI输出上。

更多关于加载和使用3D LUT的信息, 请参考本手册“3D LUT”部分的介绍。

点按“LCD”或“HDMI”页面上的开关来启用LCD触摸屏和HDMI输出的监看选项: 对焦辅助、帧导栏、网格、安全框、伪色。

斑马纹

点按“LCD”或“HDMI”菜单下的“斑马纹”开关可在相应的输出上启用斑马纹提示功能。更多关于斑马纹提示功能以及斑马纹提示级别设置的内容, 请参考本手册“触摸屏功能”部分的介绍。

对焦辅助

点按“LCD”或“HDMI”菜单下的“对焦辅助”开关可在相应的输出上启用对焦辅助功能。更多关于对焦辅助功能以及斑马纹提示级别设置的内容, 请参考本手册“触摸屏功能”部分的介绍。

帧导栏

点按“LCD”和“HDMI”菜单下的“帧导栏”开关可在相应的输出上启用帧导栏功能。更多关于帧导栏功能以及如何选择不同帧导栏的内容, 请参考本手册“触摸屏功能”部分的介绍。

网格

点按“LCD”和“HDMI”菜单下的“网格”开关可在相应的输出上启用三分法网格显示功能。更多关于三分法网格功能的内容, 请参考本手册“触摸屏功能”部分的介绍。

安全框

点按“LCD”和“HDMI”菜单下的“安全框”开关可在相应的输出上启用安全框叠加显示功能。更多关于安全框的信息, 请参考本手册“触摸屏功能”部分的介绍。

备注 Blackmagic Pocket Cinema Camera的“全部”监看设置中的“安全框”设置可用来设定安全框大小。

伪色

点按“LCD”和“HDMI”菜单下的“伪色”开关可在相应的输出上启用伪色曝光辅助功能。更多关于如何使用伪色的信息, 请参考本手册“触摸屏功能”部分的介绍。

LCD监看设置 2

“监看”选项卡中“LCD”选项的第二页包含了LCD触摸屏的专门设置。



“状态信息”能以清晰的视图展现摄影机的预览画面。

状态信息

“状态信息”设置可隐藏LCD触摸屏上的状态文本信息以及各项技术监看内容,只留下与构图和镜头直接相关的信息,这会非常有用。点按“状态信息”的开关图标可开启或关闭摄影机LCD触摸屏上显示的文本信息和技术监看内容。帧导栏、网格、对焦辅助和斑马纹等叠加信息将始终可见(如果启用的话)。在LCD触摸屏上用手指上下滑动也可以实现相同的操作。

显示

摄影机LCD触摸屏左下角和右下角可显示直方图和音频表,或者还可显示编解码器和分辨率等信息。如果您偏好使用伪色来调节曝光度,或者在单独记录音频时想在直方图和音频表的位置显示其他信息,这一功能将十分有用。

只要点按“LCD”菜单中的“技术监看”或“编解码器和分辨率”选择喜欢的显示项即可。



Blackmagic Pocket Cinema Camera可在直方图和音频表的位置显示编解码器和分辨率信息。

屏幕亮度

左右拖动“LCD”菜单中的“屏幕亮度”滑块可调节摄影机的LCD触摸屏亮度。

HDMI监看设置 2

“监看”选项卡中“HDMI”选项的第二页包含了HDMI输出的专有设置。



状态信息

如果需要隐藏HDMI输出上的状态信息以及各项技术监看内容,只留下与构图和镜头相关的信息,这一选项会非常有用。点按“HDMI”监看菜单中的“状态信息”开关图标可开启或关闭状态文本信息和技术监看内容。帧导栏、网格、对焦辅助和斑马纹等叠加信息将始终可见(如果启用的话)。

如果要隐藏或调出触摸屏上的状态文本信息或技术监看内容,只需向上或向下滑动即可。

电影摄影师或导演使用的状态信息显示功能

LCD触摸屏可显示ISO、白平衡以及光圈等信息,这些信息有助于摄影师或电影摄影师为每个拍摄镜头进行调试。但是摄影机的HDMI输出也可显示这些有助于导演或剧本指导的信息,以便他们能对多个镜头或多台摄影机了如指掌。



Blackmagic Pocket Cinema Camera可通过HDMI输出显示专为导演准备的状态信息。

将“HDMI”监看设置中的状态信息设为“导演”后,相应输出上的状态信息将显示以下内容:

- **帧率**
可显示摄影机当前所选的每秒帧数。如果禁用了“变速帧率”功能，则只显示项目帧率。如果使用了“变速帧率”功能，则会先显示传感器帧率，然后显示项目帧率。
- **摄影机**
可显示摄影机在场记板中设置的摄影机索引信息。更多相关信息，请查阅“场记板”部分的介绍。
- **摄影师**
可识别摄影机场记板中所设置的摄影师信息。更多相关信息，请查阅“场记板”部分的介绍。
- **时长显示**
可在记录时显示当前片段时长，或上一个记录片段的时长。显示格式为：时:分:秒。
- **卷号、场景和镜次**
分别对应当前显示的卷号、场景以及镜次。更多关于卷号、场景、镜次及其名称规范等信息，请参考“场记板”部分的介绍。
- **动态范围**
显示屏的左下角可显示当前套用的LUT（如果套用到该路输出上）。如果未套用LUT，则会显示“Film”或“Video”动态范围模式。
- **时间码**
显示屏的右下角可显示摄影机的时间码，显示格式为：
时:分:秒:帧。

“全部”监看设置 1

影响摄影机LCD和HDMI输出的监看设置都被归整在“全部”菜单中。例如，将此菜单中的“安全框”设置为90%，那么您的摄影机LCD和HDMI输出上的安全框都将被设置为90%。

“全部”监看设置分两页显示，包含以下设置。



帧导栏

点按“帧导栏”菜单设置中的左右箭头可逐个查看摄影机所有输出上的帧导栏设置。这些选项在本手册“触摸屏功能”部分当中有详细介绍，同时也可在LCD触摸屏的HUD监看菜单中找到。需要注意的是，您可以在相应的“监看”菜单中单独选择帧导栏是否出现在LCD触摸屏和HDMI输出上。

帧导栏不透明度

点按“帧导栏不透明度”菜单设置的左右箭头可设置被LCD触摸屏和HDMI输出的帧导栏挡住区域的不透明度。可用选项有25%、50%、75% 和100%。

对焦辅助

摄影机设有两个对焦辅助模式，分别为“峰值对焦”和“彩色线条”。

峰值对焦	选中“峰值对焦”辅助模式后，画面中的对焦部分会在您的LCD触摸屏或HDMI输出上以极端锐化的方式显示出来，但不会影响所记录的图像。这一功能能使镜头中的对焦部分在屏幕中突出显示。如果您不使用其他叠加信息，这一功能将会十分直观地显示出对焦部分；而当您尝试对焦的对象与画面中其他元素有显著区分时将更为明显。
彩色线条	选中“彩色线条”对焦辅助模式后，画面中的对焦部分的边缘会以某种色彩的线条标出。由于画面中的对焦范围会用线条直接标出来，因此这一模式要比峰值对焦模式略微直观一些。当您拍摄那些元素繁多的画面时，该模式可提供精准对焦。

对焦辅助级别

可为您的LCD触摸屏和HDMI输出设置对焦辅助的程度，请点按“低”、“中”或者“高”进行设置。

备注 设置对焦辅助程度并不会影响对焦辅助功能是在Blackmagic Pocket Cinema Camera的LCD屏幕还是HDMI输出上启用。您需要到“LCD”或“HDMI”输出的监看菜单中单独开启每路输出的对焦辅助。

提示 对焦辅助的最佳级别因镜头而异。例如，对焦人物时，设置较高的对焦辅助可有助于解决人物面部边缘细节的问题。而如果是对焦植物或建筑物，较高的对焦辅助设置反而会显示许多干扰信息。

对焦色彩

设置可在您使用“彩色线条”对焦辅助模式的时候更改画面上叠加的对焦线条色彩。更改对焦辅助线条的色彩可将其与您的拍摄画面区分开，便于您查看对焦。可用选项有“白”、“红”、“绿”、“蓝”以及“黑”。

斑马纹级别

可用来设置显示曝光的斑马纹级别，请点按该设置两侧的箭头图标调整。斑马纹程度能以5个百分点为单位进行调整，曝光显示范围在75%到100%之间。

详情请参考本手册“触摸屏功能”部分中关于“斑马纹”的介绍。

“全部”监看设置 2

“全部”监看选项卡的第二页含有下列设置：



“监看”选项卡中“全部”选项的第二页

网格

请点按“网格”设置中的“三分法”、“水平线”、“十字准线”或“中心点”选项来选择摄影机的LCD触摸屏和HDMI输出上显示的网格和十字准线组合。

详情请参考本手册“触摸屏功能”部分中关于“网格”的介绍。

安全框

要调整触摸屏和HDMI输出上叠加显示的安全框大小，请点按“安全框”设置中的左右箭头来调整显示百分比。这一百分比代表了安全框在整幅图像中的所占比例。大多数播出机构都要求90%的安全框比例。

变形镜头压缩画面还原

Pocket Cinema Camera可以在LCD触摸屏和HDMI输出上应用变形镜头压缩画面还原。在16:9和17:9格式下，可启用“1.33x变形镜头压缩画面还原”。在Pocket Cinema Camera 6K上以“3.7K变形”格式记录时，或者在Pocket Cinema Camera 4K上以“2.8K变形”记录时，您的摄影机会自动应用“2x变形镜头压缩画面还原”。

音频设置

“音频”选项卡用来调整摄影机的音频输入和监听设置。

摄影机的音频设置共有两页，每页均提供通道1和通道2的设置。

每个声道都可以被映射到不同的源，并调整增益控制等多项设置。

音频设置 1

“音频”选项卡的第一页含有下列设置：



通道信号源

使用“通道1信号源”和“通道2信号源”按钮可为每个声道选择音频源。下面是每个通道源设置的描述。

- **摄影机左声道或右声道**
可记录摄影机的内部麦克风音频。
- **摄影机单声道**
可从Blackmagic Pocket Cinema Camera内置麦克风的左右声道创建单个声道。
- **XLR Line**
可使用摄影机的XLR输入记录Line电平的音频。
- **XLR Mic**
可从摄影机的XLR输入记录Mic电平的音频。如果您启用了幻象电源，并且将XLR输入设置为“Mic”，页面上就会显示“+48V”提示。请务必确保您在断开幻象电源麦克风时，将48V的开关置于关闭状态。
- **3.5mm左声道 – Line**
只使用3.5mm输入的左声道作为Line电平的音频。
- **3.5mm右声道 – Line**
只使用3.5mm输入的右声道作为Line电平的音频。
- **3.5mm单声道 – Line**
从3.5mm输入创建左右声道的单声道混音作为Line电平的音频。
- **3.5mm左声道 – Mic**
只使用3.5mm输入的左声道作为Mic电平的音频。
- **3.5mm右声道 – Mic**
只使用3.5mm输入的右声道作为Mic电平的音频。
- **3.5mm单声道 – Mic**
从3.5mm输入创建左右声道的单声道混音作为Mic电平的音频。
- **无**
禁用声道。

备注 当选择3.5mm输入作为音频源时, 通道1和通道2源信需要同时是Line电平或者Mic电平。也就是说, 如果您选择“3.5mm左声道 – Line”作为通道1源, 那么通道2上3.5mm输入的可用选项就都是Line电平: “3.5mm左声道 – Line”、“3.5mm右声道 – Line”和“3.5mm单声道 – Line”。Mic电平选项都以灰色显示, 表明此功能不可用。

通道1/2电平

这两项音频电平表能帮助您设置正确的音频电平。

通道1/2增益

使用这两个滑块可调整您所选的声道1或声道2上的录音电平。

音频设置 2

“音频”选项卡的第二页含有下列设置:



耳机音量

该滑块可调整3.5mm耳机接口上所连耳机的输出电平。左右移动音频滑块可调节电平。

扬声器音量

该滑块可调整内置扬声器的输出电平。左右移动音频滑块可调节电平。

XLR幻象电源

摄影机的XLR输入可提供48V幻象电源, 以便您使用自供电麦克风。当摄影机设置为“XLR”音频输入时, 只需点按“幻象电源”的开关图标将其启用即可。

音频表

可用来选择峰值电平显示的音频表标准。

音频表设置	标准
PPM (-20 dBFS)	SMPTE RP.0155
PPM (-18 dBFS)	EBU R.68

备注 请务必先连接XLR线缆, 再开启幻象电源。另外, 当没有连接幻象电源供电的麦克风时, 请务必关闭幻象电源。如果所连接的设备不需要幻象电源, 却仍处于幻象电源模式, 就会导致设备损坏, 因为该模式下摄影机会输出电荷。幻象电源在关闭后还需一段时间方可完全放电。

关闭幻象电源后请等待几分钟, 然后再连接其他麦克风或XLR音频设备。

设置

Blackmagic Pocket Cinema Camera的“设置”选项卡中含有基本设置、软件版本、功能按钮设置等摄影机设置, 这些设置与记录或监看没有直接联系。该菜单含有四个页面, 您可以点按LCD触摸屏边缘的箭头逐一查看, 也可直接左右滑动屏幕查看。

设置菜单第一页

摄影机“设置”选项卡的第一页含有下列设置:



日期和时间

点按“日期和时间”选项可为摄影机设置日期和时间。日期格式为年、月、日; 时间格式为24小时制。摄影机未连接外部时间码源时, 这一日期和时间设置也可用来显示当日时间的的时间码。

语言

Pocket Cinema Camera支持以下11种常用语言: 英语、中文、日语、韩语、西班牙语、德语、法语、俄语、意大利语、葡萄牙语以及土耳其语。



语言页面将在首次启用时出现。

选择语言步骤如下：

- 1 点按“语言”并从列表选择某种语言。
- 2 按“更新”返回设置菜单。

快门类型

可通过显示快门信息来选择“快门角度”或“快门速度”。

需要指出的是，当使用快门角度时，快门会采用帧率来显示。例如，不论您使用何种帧率，180度都将产生相同的运动模糊。

但当使用快门速度时，快门会使用一个独立于帧率的绝对数值，因此当您更改帧率时，结果也会发生变化。

例如，当您以每秒24帧的帧率拍摄时，1/48秒的快门速度将产生美观的运动模糊，效果等同于180度快门角度。如果您将帧率更改为每秒48帧，那么1/48秒的快门速度就会产生不同的运动模糊，效果将等同于360度快门角度。在这个例子中，如果帧率更改为48fps，您还需要将快门速度更改为1/96秒，以实现和180度快门角度相同的效果。

防闪烁快门基准频率

可用来更改摄影机用于计算防闪烁快门设置的主电源频率。

在照明环境下拍摄时，快门可影响闪烁程度。Blackmagic Pocket Cinema Camera会根据当前的帧率自动计算出防闪烁快门数值，并给出最多三个快门值建议。快门数值会根据为照明供电的当地主电源频率而有所不同。大多数采用PAL制式的国家均使用50赫兹，而采用NTSC制式的国家则通常使用60赫兹的用电频率。点按“50Hz”或“60Hz”为您所在地区设置合适的频率即可。

备注 即使使用防闪烁快门数值，不同光源所具备的特点也依然有可能导致闪烁现象。如果您使用的不是持续光源，我们建议在拍摄前进行测试。

图像稳定功能

Pocket Cinema Camera 4K设有“图像稳定功能”选项，可启用或禁用镜头上的图像稳定功能，无需手动到镜头上切换。

时间码丢帧

“时间码丢帧”选项可在您使用29.97和59.94的NTSC项目帧率时使用丢帧时间码。丢帧时间码可按照您设置的间隔跳过少量帧画面。这样能保持您的项目时间码准确性，即使每秒并不包含NTSC帧率的完整帧数。

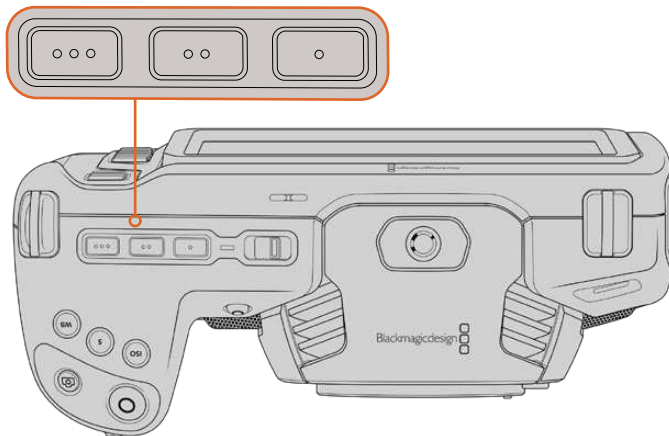
设置菜单第二页

“设置”选项卡的第二页含有下列设置：



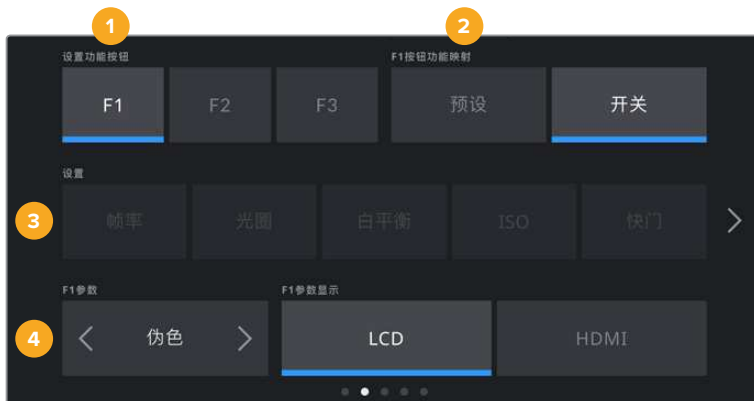
设置功能按钮

Blackmagic Pocket Cinema Camera的顶部设有三个功能按钮。按钮上的圆点直观表示功能1、功能2和功能3。这些按钮可被映射为您经常使用的功能，方便您在使用摄影机时快速获取这些功能。



功能按钮由圆点标识，位于摄影机顶部

进行设置时，先选择其中一个按钮再选择相应的功能、设置和参数即可。



1 按钮 2 功能 3 设置 4 参数

F1/F2/F3按钮功能映射

选择您想要进行映射的按钮之后,就需要为这一按钮选择一个功能。选项如下:

预设	<p>选择该功能时,按下某个功能按钮可调用相应的设置和参数组合。</p> <p>要设置一个预设,请从“设置”菜单里选中您想要使用的设置然后点按“参数”菜单两侧的箭头图标调整该设置。</p> <p>例如,要将F1按钮设置为调用f8光圈预设,请选中“预设”功能,点按“光圈”设置,然后点按“参数”菜单两侧的箭头图标,直到显示f8为止。再次按下预设按钮可回到摄影机之前的设置。</p>
开启/关闭	<p>选择该功能时,按下功能按钮可开启或关闭某个特定设置。处于这一模式下时,“设置”菜单将显示为灰色不可用状态。点按参数菜单中的左右箭头可逐一查看所有可用选项。这些选项分别为:“变速记录”、“OIS”、“纯画面”、“显示LUT”、“帧导栏”、“对焦辅助”、“伪色”、“斑马纹”和“安全框”。</p> <p>使用“开启/关闭”功能可选择将这一设置应用到哪路输出。只要点按任意“LCD”和“HDMI”选项组合进行选择即可。如果某一输出选项无法被选中,比如始终应用到所有输出上的“变速记录”选项,那么“LCD”和“HDMI”设置就会被禁用。</p>

设置菜单第三页

“设置”选项卡的第三页含有下列设置:



TALLY LED提示灯

Blackmagic Pocket Cinema Camera摄影机的正面设有一个Tally灯,可在摄影机记录时亮起红色加以提示。点按“TALLY LED提示灯”开关图标可启用或禁用Tally灯。

LED亮度

点按“低”、“中”或者“高”可设置Tally灯的LED亮度。

硬件ID

Blackmagic Pocket Cinema Camera的“硬件ID”可显示8字符识别符。每台摄影机都具备其独有的识别符。Blackmagic RAW和ProRes视频的元数据中还会显示一个更长的32字符ID版本。这一功能有助于识别来自不同摄影机的素材。

软件

可显示当前安装的软件版本号。更多关于软件更新的信息，请阅读“Blackmagic Camera Setup Utility 实用软件”部分的内容。

播放

该设置可用来选择在LCD触摸屏上播放来自SD卡、CFast卡或USB-C硬盘的“单个片段”还是“所有片段”。选择“所有片段”将按顺序播放所有匹配的媒体文件，选择“单个片段”将一次只播放一个片段。该设置也应用于循环功能。选择“所有片段”循环功能将播放存储介质上的所有片段，结束后从头开始。选择“单个片段”则一次只循环播放一个片段。

设置菜单第四页

摄影机“设置”选项卡的第四页包含蓝牙®设置。



摄影机蓝牙的名称以场记板中所选摄影机的字母加摄影机的八字符硬件ID表示。

蓝牙®

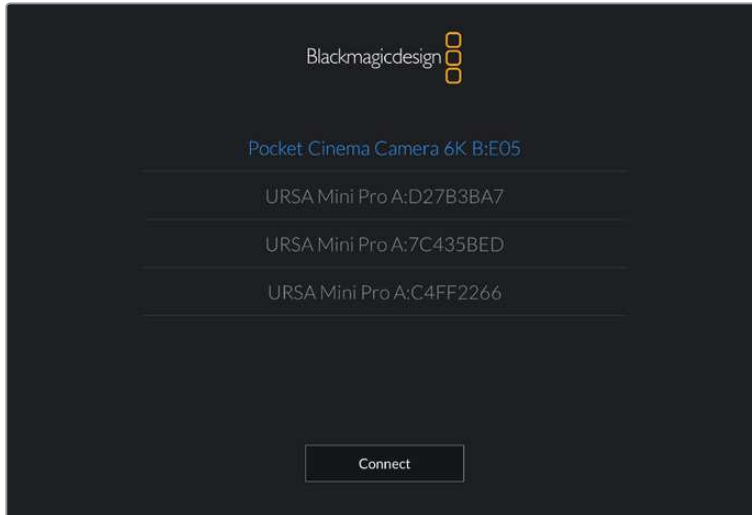
蓝牙控制可通过便携式设备无线控制您的摄影机。您可以使用“Blackmagic Camera Control App”通过iPad远程更改设置，调整元数据，以及触发记录。您可以通过点按“设置”菜单中的“蓝牙”开关图标启用或禁用蓝牙功能。蓝牙功能启用后，摄影机可被30英尺（约9米）范围内的蓝牙设备检测到。摄影机在蓝牙控制方面使用与“Blackmagic SDI摄影机控制协议”相同的命令，因此您可以编写自己的应用程序来远程控制几乎所有的摄影机设置。比如监看摄影机的各个选项和音频设置，以及摄影机内置的DaVinci Resolve调色工具，甚至镜头控制。

更多信息请参考“Blackmagic Camera Control”摄影机控制文档，网址：

www.blackmagicdesign.com/cn/developer

首次将摄影机与iPad配对:

- 1 点按“设置”菜单中的“蓝牙”开关图标启用蓝牙功能。
- 2 打开“Blackmagic Camera Control App”，选择您希望配对的摄影机。可用的摄影机会以摄影机字母加独有硬件ID的形式列出。比如“A:A0974BEA”。



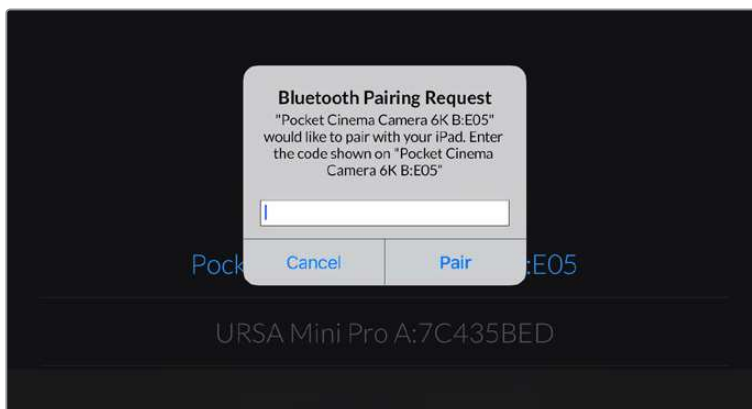
选择您希望配对的Blackmagic Pocket Cinema Camera摄影机。

备注 当您安装并第一次运行Blackmagic Camera Control App时，系统会问您是否“允许地点访问”。如果您选择“while using the app”（使用期间），您拍摄文件中的元数据将包含来自iPad的GPS数据，让您对影像进行地理标记。这些信息可以在Blackmagic DaVinci Resolve 15或更高版本中查看。

如果您不想允许使用这些信息，请选择“Never”（从不）。

如要修改设置，在iPad上前往设置、隐私、定位服务、相机。

- 3 初次连接时，Blackmagic Camera Control App会请求一个六位代码来配对摄影机。代码会显示在摄影机的LCD屏幕上。将代码输入iPad，并按“Pair”（配对）。





- 4 当摄影机连接到您的iPad时, 会弹出信息确认配对成功。



- 5 如果摄影机和iPad配对失败, 摄影机会弹出错误提示。尝试再次连接。



备注 当您没有使用蓝牙控制Blackmagic Pocket Cinema Camera时, 出于安全考量建议您关闭蓝牙。

断开当前设备

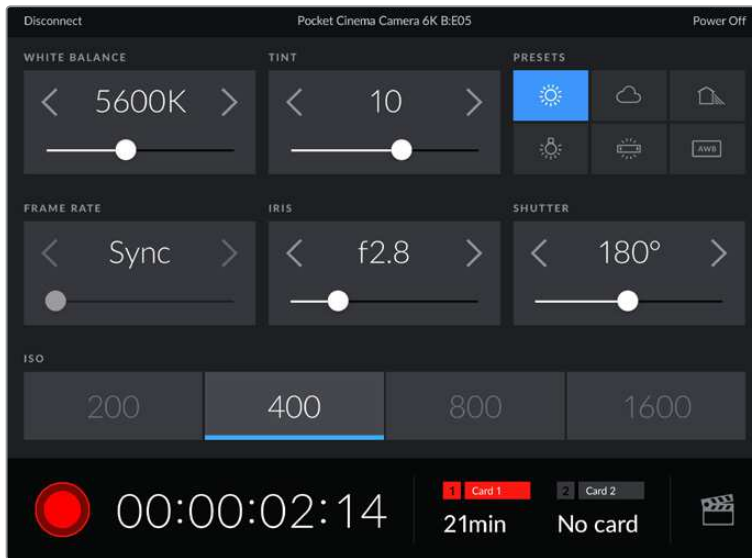
使用该设置可断开Blackmagic Pocket Cinema Camera与当前所配对的iPad之间的连接。

清除配对设备

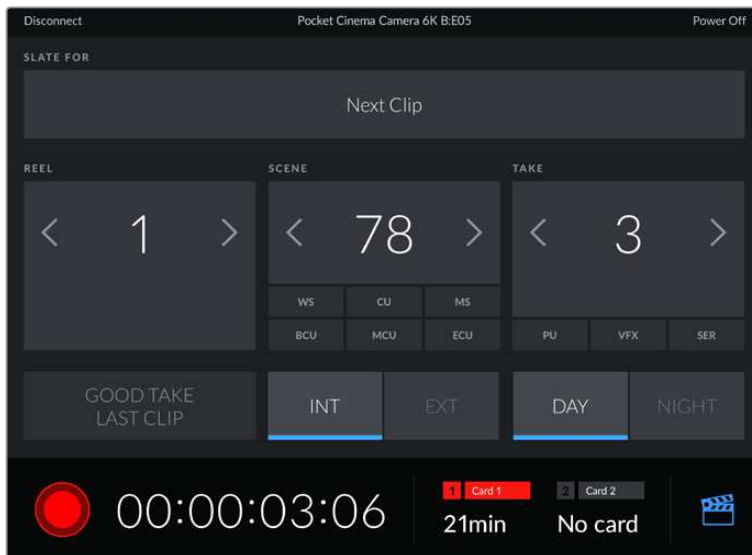
使用该设置可清除曾与摄影机配对的设备列表。

使用Blackmagic Camera Control App控制您的摄影机

将摄影机与iPad配对成功后,您可以通过iPad远程开启或关闭摄影机,改变设置,调整元数据,以及触发记录。



配对完成后, Blackmagic Camera Control App会显示该画面,您可以调整设置,开始记录。

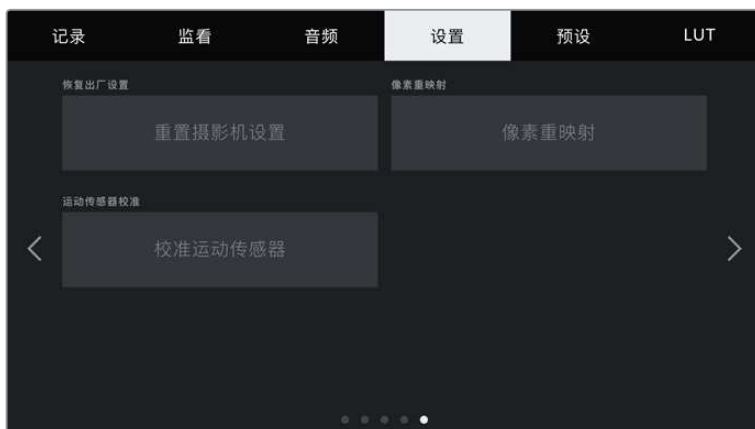


点按右下角的场记板图标来使用或更新场记板。

Blackmagic Pocket Cinema Camera使用蓝牙低功耗 (BLE) 技术与设备建立通信,实现无线控制。因为与便携设备使用同样的协议,所以耗电量极低。

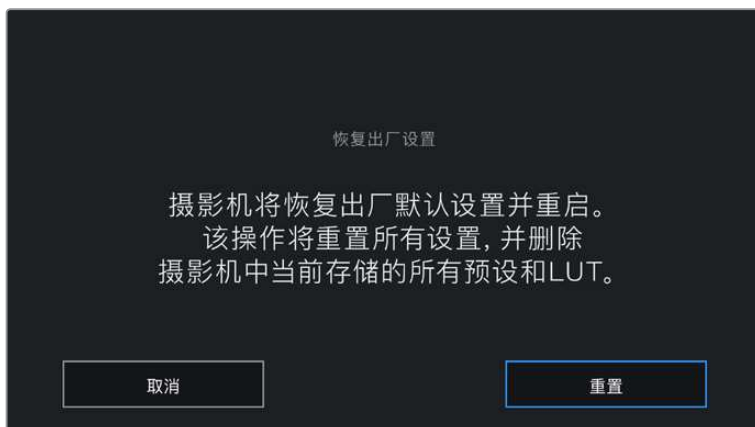
设置菜单第五页

“设置”选项卡的第五页包含执行恢复出厂设置、像素重映射以及水平线校准的各项控制。



恢复出厂设置

要恢复摄影机出厂时的默认设置，请点按“重置摄影机设置”按钮。在确认页面上，点按“重置”确认操作。摄影机将会删除机内存储的所有LUT和预设，并重置所有设置。执行恢复出厂设置操作之前，不妨将您的预设导出到存储卡上进行备份。恢复出厂设置之后，您只要再从存储卡中导入预设就可以快速恢复。请务必注意，恢复出厂设置操作还将重置水平线功能，因此恢复出厂设置后需要重新校准运动传感器以确保准确性。



选择“重置”时，您将看到如上操作确认信息

像素重映射

Blackmagic Pocket Cinema Camera所使用的CMOS传感器是由数百万个感光像素组成。虽然经过原厂传感器校准，但经过一段时间后，有些像素的亮度或会出现变化，从而导致这些像素变得特别明显，也就是通常被人所知的“热像素”。所有摄影机传感器，不论是何产商都会产生热像素。

为解决这一问题，我们在摄影机中内置了校准功能，如果发现图像中存在任何热像素就可执行此功能。

要开始这一处理，只要盖上镜头盖，点按“像素重映射”按钮运行像素重映射功能即可。这一过程大约需要1分钟。

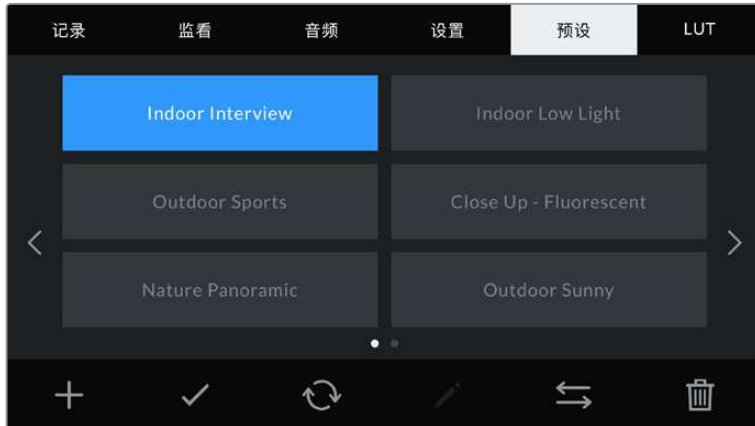
运动传感器校准

要校准水平线指示，请将摄影机放置在水平表面上，然后点按“校准运动传感器”按钮。执行校准的过程中，摄影机必须保持稳定状态。这一过程大约需要5分钟。

预设

“预设”选项卡可用来保存和调用多达12组设置集。当摄影机被用于多个不同项目时，这一设置将非常有用。例如，您可能会将摄影机用于从纪录片到MV在内的多种不同拍摄风格，这些项目都会使用不一样的设置。摄影机的预设功能就可以让您保存某一项目或某类镜头的拍摄设置，方便下次需要时快速调用。共有12个预设槽可使用。

您还可以导入和导出预设，这对于设置多机位镜头部署是非常有用的。只需将一台Blackmagic Pocket Cinema Camera进行项目设置，然后将该预设导出到片场的所有其他Blackmagic Pocket Cinema Camera上即可。



预设选项卡可快速切换您所保存的不同设置。

备注 您的摄影机内存最多可保存12个预设。

预设按钮

“预设”菜单下方设有一排按钮图标，它们所对应的功能如下图所示：

				
添加	加载	更新	管理	删除

保存和加载预设

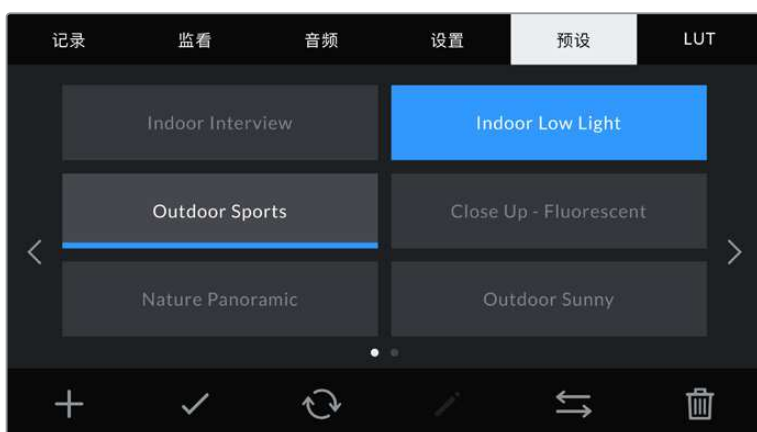
要创建一个新的预设，请点按代表“添加”的图标。然后，LCD屏幕上会出现一个键盘，此时请为您的预设命名。输入名称并点按表示“更新”的图标，即可将当前所有设置保存到该预设。

如果摄影机中已经含有相同名称的预设，您可以选择覆盖替换或同时保留这两个预设。



点按预设选项卡中代表“添加”的图标，再使用屏幕键盘来输入预设名称。

保存预设后，在预设菜单中点按该预设的名称将其选中。要加载预设，点按代表“加载”的图标。



选择一个预设，并点按表示“加载”的图标来加载这一预设。选中的预设将以纯蓝背景显示，当前加载的预设则会在其对应的图标底部标以蓝色横线。

点按代表“更新”的图标可更新预设。然后屏幕会弹出提示，询问您是否要将Blackmagic Pocket Cinema Camera的当前设置更新为这一预设。点按代表“更新”的图标确认更新。

导入预设

要导入预设，请点按预设菜单底部表示“管理”的图标。点按“导入预设”，然后点按“导入”加以确认。该操作将调出预设导入屏幕界面。如果您喜欢的预设不在当前存储卡或存储盘上，可点按触摸屏顶部的存储介质按钮来切换记录存储介质。您可以从USB-C硬盘、CFast或SD卡导入LUT。

摄影机会在您所选存储介质上搜索根目录和名为“Preset”的预设文件夹，并列出了可用的预设。保存在其他位置的预设是不可见的。

点按某个预设将其选中，然后点按“导入”确认选择，并将其复制到摄影机中的下一个可用预设槽内。

备注 如果摄影机的12个预设槽都已被使用，导入菜单就不会出现，此时您需要删除已有的预设来腾出空间。

如果您想要导入的预设和摄影机中保存的某个预设名称相同,可选择覆盖或同时保留二者。屏幕右上角会出现摄影机剩余预设空位的数量。摄影机中的预设空位有多少,您就能导入多少预设。

导出预设

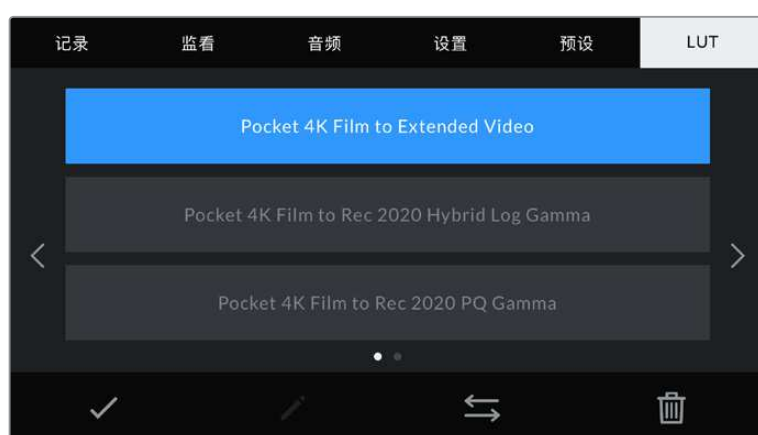
要将某个预设导出到存储卡或USB-C硬盘上,请点按您想要导出的预设,然后点按表示“管理”的图标按钮。点按“导出所选预设”,然后点按导出预设的目标存储介质。如果已存在相同名称的预设,请选择是否覆盖该预设或者保留两者。摄影机会将预设导出到名为“Presets”(预设)文件夹。

删除预设

要删除某个预设,请将其选中并点按删除图标。在弹出的确认选择框中,点按“删除”。

3D LUT

“LUT”菜单可用来将多个3D LUT导入、导出并应用到摄影机的各个输出上。



使用摄影机的“LUT”选项卡选择3D LUT

3D LUT简介

3D LUT可套用到摄影机LCD触摸屏和HDMI输出的图像上。套用LUT可令摄影机为某类色彩和亮度输入显示相应的色彩和亮度输出。例如,某个LUT可令摄影机在接收到暗淡的蓝色输入时显示出鲜艳饱和的蓝色。当使用Blackmagic RAW格式或“Film”动态范围模式拍摄素材时,这一功能就非常有用,因为以上两者的拍摄片段都被刻意处理成低饱和度的平淡画面。套用LUT可以让您大致掌握素材调色后的画面。

您可以使用DaVinci Resolve或其他调色软件轻松创建3D LUT,也可以从网上找到各类LUT。摄影机可存储最多10个17点或33点精度的3D LUT,每个大小上至1.5MB。加载后,您可以选择一类LUT显示在摄影机的LCD触摸屏和HDMI输出画面上。

Blackmagic Pocket Cinema Camera支持使用DaVinci Resolve以.cube格式创建的33点精度3D LUT,以及使用LUT转换程序转换成Resolve的.cube格式17点精度3D LUT。您的摄影机可使用高品质四面体插值算法处理3D LUT。

提示 更多关于显示LUT的信息,请参阅本手册“监看设置”部分的内容。

备注 Blackmagic Pocket Cinema Camera不会默认对记录的素材套用或“烧录”LUT，但是您可以选择将LUT“烧录”到素材中。

如果您在后期制作阶段没有时间对素材进行调色，或者需要直接将素材交付给客户或剪辑师，这一选项就会十分有用。

当您LUT作为现场预览工具使用时，所套用的LUT上的信息会作为元数据被保存到记录的片段中。DaVinci Resolve可以在元数据选项卡的“使用的LUT”一栏中显示这一信息，方便调色师核对现场所使用的LUT名称。

内置LUT

摄影机提供一系列内置LUT，您在使用“Film”动态范围模式或Blackmagic RAW格式拍摄时可以预览不同的效果。

每台摄影机提供的LUT会根据传感器有所不同：

Pocket 4K Film to Extended Video / Pocket 6K Film to Extended Video

可显示比“Pocket 4K Film to Video”或“Pocket 6K Film to Video”LUT更宽的动态范围，会温和地调整对比度，并应用平滑的高光过渡。

Pocket 4K Film to Rec 2020 Hybrid Log Gamma / Pocket 6K Film to Rec 2020 Hybrid Log Gamma

显示REC 709和Log画面的混合结果。

Pocket 4K Film to Rec 2020 PQ Gamma / Pocket 6K Film to Rec 2020 PQ Gamma

显示基于人眼感知形成的Gamma曲线，用于高效编码HDR图像。

Pocket 4K Film to Video / Pocket 6K Film to Video

与高清视频的REC 709色彩标准类似，拥有高对比度和饱和度。如果您将Blackmagic Pocket Cinema Camera和其他使用REC 709色彩空间的广播级摄影机共同使用时，这一设置就会十分有用。

LUT按钮

摄影机“LUT”屏幕界面下方设有一排按钮图标，它们所对应的功能如下图所示：

			
加载	存储介质	管理	删除

导入LUT

要导入3D LUT，请点按“LUT”菜单底部表示“管理”的图标。点按“导入LUT”，然后点按“导入”加以确认。该操作将调出LUT导入屏幕界面。如果您喜欢的3D LUT不在当前存储卡或存储盘上，可点按触摸屏顶部的存储介质按钮来切换记录存储介质。您可以从USB-C硬盘、CFast或SD卡导入LUT。

摄影机会在您所选存储介质上搜索根目录和名为“3DLUTs”的文件夹，并列出的可用LUT。保存在其他位置的LUT是不可见的。

点按某个LUT将其选中, 然后点按“导入”确认选择, 并将其复制到摄影机中的下一个可用LUT位置栏内。

备注 如果您想要导入一个新的LUT, 但是10个3D LUT位置栏都已占满, 那么您就需要删除一个已有的LUT来腾出空间。

如果您想要导入的LUT和摄影机中保存的某个LUT名称相同, 就需要选择是覆盖替换还是同时保留这两个LUT。屏幕右上角会出现摄影机剩余LUT位置栏的数量。摄影机中的LUT位置栏有多少, 您就能导入多少LUT。

备注 如果无法导入LUT, 可能是因为文件大小的缘故。您可以使用Lattice等LUT编辑器来检查其大小, 或者使用您计算机上的任何一种文本编辑器将它打开。在“LUT_3D_SIZE”的标签边上会有一个表示LUT大小的数字。如果该数值不是17或33, 您可以使用Lattice将3D LUT的大小调整到17点。

套用LUT

将一个LUT保存到摄影机中之后, 在LUT菜单中点按其中一个LUT将其选中, 然后点按加载图标。就可以将该LUT套用到摄影机的所有输出上。要在摄影机的输出画面上显示加载的LUT, 请到监看菜单中开启“显示LUT”。更多信息请参考“监看设置”部分的介绍。

导出LUT

要将某个LUT导出到存储卡或USB-C硬盘上, 请点按您想要导出的LUT, 然后点按表示“管理”的图标按钮。点按“导出所选LUT”, 然后点按导出LUT的目标存储介质。如果已存在相同名称的LUT, 请选择是否覆盖该LUT或者保留两者。摄影机会将LUT导出到名为“3DLUTs”的文件夹。

删除LUT

要删除您不再使用的LUT以腾出更多空间, 请选中您想要删除的LUT并点按表示“删除”的图标按钮。在弹出的确认选择框中, 点按“删除”。

内嵌3D LUT

如果您使用Blackmagic Pocket Cinema Camera拍摄时应用了3D LUT, 那么所选LUT会被嵌入到您正在记录的Blackmagic RAW文件中。这个3D LUT会被保存在记录.braw文件的头文件中, 可在后期制作环节轻松应用到素材上, 无需处理单独文件。

因此, 当剪辑师或调色师拿到的是Blackmagic RAW文件, 他们就可以轻松获取影片拍摄时所使用的LUT, 显著降低了在片段上使用错误3D LUT的可能性。他们在剪辑或调色时可以选择是否将这个3D LUT应用到素材上, 并且可以随时禁用这个3D LUT。

将记录菜单中的“在文件中套用LUT”开关设置为“开”后, 在Blackmagic RAW Player播放器和DaVinci Resolve中打开记录的片段时, 画面上就已应用所选的3D LUT。

3D LUT可轻松开启或关闭, 但会始终跟随Blackmagic RAW文件, 因为它是写入到片段上的。DaVinci Resolve的RAW设置面板中还设有一个“Apply LUT” (套用LUT) 开关, 可用来启用和禁用Blackmagic RAW文件中的3D LUT。

DaVinci Resolve中的“Apply LUT”设置和摄影机中的设置相同。也就是说, 在您拍摄时, 可以在摄影机中进行设置从而告诉调色师使用这一LUT, 而调色师则可以在DaVinci Resolve中使用“Apply LUT”开关将它关闭。

录入元数据

元数据是片段内所保存的一系列信息，这些信息包括镜次号码、摄影机设置以及其他识别信息。后期制作时，这些信息对于素材的整理很处理起到很大的帮助。例如，镜次、镜头和场景编号是十分必要的整理工具，而镜头信息则能用于自动移除变形现象或获得更匹配的视觉特效图层。

Blackmagic Pocket Cinema Camera可自动将一些元数据保存到每个片段中，如摄影机设置、时间码以及日期和时间等。您还可以使用摄影机的场记板功能添加更多信息。

场记板

在主菜单视图上左右滑动摄影机的触摸屏可调出场记板界面。

场记板界面分成“片段”和“项目”选项卡。“片段”选项卡包含的信息视片段而定，而“项目”选项卡可用来键入各个片段的共同信息，如项目名称、导演、摄影机ID以及摄影师ID等。

提示 选择“导演”监看模式时，在场记板上输入的元数据可以在HDMI输出上查看。请阅读本手册“监看设置”部分的内容获取更多信息。

“片段”元数据

在待命模式下和播放模式下更改片段的元数据的操作会有所不同。在待命模式下，当您的摄影机准备好记录时，片段元数据会保存在下一个记录的片段中，除非“将上个片段标为好镜次”按钮对最近记录的片段应用了“好镜次”标签。在播放模式下，当您检查已经拍摄的素材时，会显示“好镜次”按钮，并且片段元数据始终附加在当前查看的片段上。



当摄影机在播放模式下时，“场记板所属片段”可识别场记板适用的片段，并显示“好镜次”按钮。在待命模式下时，场记板用于“下一个片段”，并显示“将上个片段标为好镜次”按钮。

场记板所属片段

“场记板所属片段”设置可显示当前出现在“片段”选项卡中元数据的所在片段。在播放模式下时，该设置针对当前片段，在待命模式下时，该设置针对您记录的下一个片段。

镜头数据

“镜头数据”设置可显示当前摄影机所安装的镜头的相关信息。许多电子镜头可自动提供镜头型号、光圈以及焦距等信息。如果您使用的镜头并不提供此类信息，或者您想要键入更多数据，可以点按该设置中的铅笔图标来手动输入。该操作会调出“镜头数据”菜单，其中包含以下信息：



图中的“镜头数据”菜单显示的是从安装的镜头上自动输入的信息，以及手动输入的滤镜信息。

• 镜头类型

“镜头数据”可显示镜头型号。如果您的镜头类型未自动显示在此栏，请点按这一设置手动键入相关数据。您的摄影机为众多常用镜头保存有内部数据库，因此如果您需要手动输入数据，摄影机将会在您键入信息时自动给出建议使用的名称。这一功能可以加快数据输入的速度。



如果镜头不具备自动提供信息的功能，请使用屏幕键盘来输入镜头数据。

• 光圈

可显示片段开头的镜头光圈设置。该信息是以f-或T-挡的形式显示取决于您使用的镜头，如果它自动提供的话。点按这一设置来手动输入数据。

- **焦距**

可显示记录片段开头的镜头焦距设置。如果镜头自动提供这一信息，焦距会以厘米为单位显示。点按这一设置来手动输入焦距。

- **距离**

可显示记录片段的镜头焦距设置。有些镜头能以毫米为单位自动提供这一数据。您也可以手动键入这一数据。

- **滤镜**

可显示当前镜头使用的滤镜。点按这一设置来手动输入数据。您可以输入多条信息，并以逗号隔开。



滤镜信息需手动输入

备注 您只要点按“镜头数据”菜单中的“重置镜头数据”图标就可以随时清除镜头信息。屏幕将弹出提示确认您的选择。确认后，所有镜头数据都将被清除，并被替换成任何当前安装镜头自动提供的镜头数据。如果您在这些栏中手动输入了任何信息，下次安装镜头时您需要重置镜头数据，否则手动输入的值会保持不变。

卷号

可显示当前卷号。

Blackmagic Pocket Cinema Camera可自动递增卷号，因此通常您无需手动键入。当您开始新的项目，并且希望重新从卷号“1”开始，可以进入场记板的项目选项卡，然后点按“重置项目数据”。

场景

可显示当前场景号，以及当前镜头号和类型。

这一按钮上显示的号码始终代表当前场景。您可以使用场景号两侧的左右箭头来调整号码，或点按场景号进入场景号编辑器进行编辑。

场景号可设在1到9999之间。

在场景号编辑器中为场景号添加一个字母后,您还可以为当前拍摄镜头标注。比如,“23A”表示场景23,镜头1。如果您在场景号中添加了镜头字母,摄影机就会在您进入场景号编辑器时建议下一个场景号和镜头字母。例如,如果您的当前场景号为7B,那么摄影机就会建议使用“8”和“7C”。

场景号提示功能还能在右上角显示当前拍摄镜头类型的信息。您可以在键盘右侧的场景号编辑器中选中这些信息。

拍摄镜头的类型如下:

WS	远景
MS	中景
MCU	中特写
CU	特写
BCU	大特写
ECU	极特写



输入“场景”元数据时,摄影机的屏幕键盘左侧会提供场景号建议,右侧会提供拍摄镜头类型。

镜次

按钮可显示当前镜头的镜次号。您可以点按镜次号两侧的左右箭头调整号码,或点按镜次号按钮进入镜次号编辑器进行编辑。

提示 镜头号和场景字母用完之后,镜次号将回到“1”。

您可以在镜次号编辑器中添加描述。该设置位于镜次号键盘右侧，并且对应以下内容：

PU 即“补拍”。指之前某个镜次的重拍画面，可在正式拍摄结束后添加额外的影像材料。

VFX 即“视觉特效”。指一个用于视觉特效的镜次或镜头。

SER 即“镜次组”。指摄影机不中断记录所拍摄的多个镜次。



输入“镜次”元数据时，Blackmagic Pocket Cinema Camera的屏幕键盘右侧会提示其他镜头类型。

好镜次

点按“好镜次”可为好镜次添加标签，这样能方便后期制作时调出这些镜次。该按钮会对播放模式下当前查看的片段应用“好镜次”标签。如果摄影机在待命模式并已准备好记录，那么“将上个片段标为好镜次”按钮就会对上一个记录的片段应用“好镜次”标签。

棚内/外景

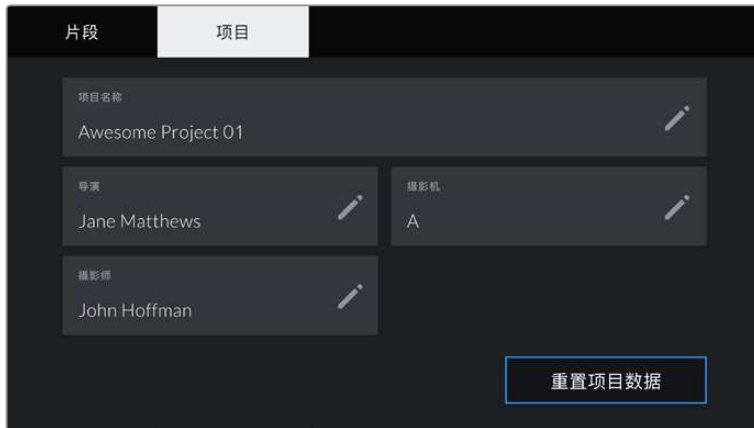
在待命模式下时，点按“棚内”或“外景”可在下一个片段添加相应标签；在播放模式下时，点按“棚内”或“外景”可在当前片段添加相应标签。

白天/夜晚

在待命模式下时，点按“白天”或“夜晚”可在下一个片段添加相应标签；在播放模式下时，点按“白天”或“夜晚”可在当前片段添加相应标签。

项目元数据

不论您在待命模式还是播放模式，“项目”元数据的表现都一样。这一元数据可始终将您的项目作为整体，并且独立于片段编号。



使用摄影机的“项目”场记板选项卡输入项目的详细信息

项目名称

可显示当前项目的名称。点按铅笔图标可更改项目名称。

导演

可显示当前项目的导演名字。点按铅笔图标可更改导演名字。

摄影机

可以单个字母显示摄影机索引。点按铅笔图标可更改摄影机索引。

摄影师

可显示摄影师信息。点按铅笔图标可更改摄影师名字。

摄影机视频输出

HD监看输出

摄影机的标准尺寸HDMI接口可输出1080p HD视频，因此您可以连接监视器，甚至是消费级电视机来监看画面。其10bit输出还支持HDR和屏幕叠加信息功能，可显示摄影机的各项状态，是现场监看的理想之选。

当LCD无法使用时，比如摄影机安装在高处的摇臂或车上，可以使用HDMI监看。如果要在HDMI输出上显示监看信息，请到“监看”设置的“HDMI”菜单下调整叠加选项即可。HDMI叠加信息包括帧导栏和记录详情、摄影机设置等信息。如果您只需要监看拍摄的镜头，您可以关闭叠加功能，获得无叠加信息的HDMI输出。

搭配使用如Blackmagic Micro Converter HDMI to SDI等转换器，就可以将信号转换成SDI，从而连接SDI监视器、采集设备、广播级切换台等众多SDI设备。您还可以通过Blackmagic Pocket Cinema Camera的USB端口为Blackmagic Micro Converter HDMI to SDI提供电源。

使用DaVinci Resolve

使用Blackmagic Pocket Cinema Camera拍摄仅是影视内容创作过程中的一部分而已，就如整个过程中的媒体备份和管理、剪辑、调色到最后的编码输出母版文件一样都很重要。Blackmagic Pocket Cinema Camera中包含有macOS和Windows版本的DaVinci Resolve软件，这是一套用于拍摄和后期制作的完备解决方案！



备注 我们推荐使用最新版本的DaVinci Resolve，对Pocket Cinema Camera拍摄的镜头片段进行准确的调色。16或更高版本均可对所有Blackmagic摄影机和新增的Blackmagic RAW提供准确调色。

将您的CFast、SD卡或SSD连接到计算机后，就可以使用DaVinci Resolve“媒体”页面中的“克隆”工具，在拍摄过程的同时进行素材备份。由于任何类型的存储介质都有可能损坏或出现故障，因此建议您进行文件备份以防万一。使用DaVinci Resolve备份媒体文件后，就可以将片段添加到DaVinci的媒体池中，随后在DaVinci Resolve里进行一站式剪辑、调色、精编制作。

DaVinci Resolve拥有高端数字电影制作所需的先进技术，是大多数影院大片所使用的调色工具，因此比简单的非编软件工具要强大得多。使用DaVinci Resolve进行剪辑和调色可让您充分利用这一技术。

以下内容介绍了如何使用DaVinci Resolve开展您摄影机文件的制作工作。当然，DaVinci Resolve是非常高端的软件，它包含了大量的功能，这远比您在用户界面上一眼看上去的要多得多。想要进一步了解如何使用DaVinci Resolve，请访问Blackmagic官网查阅DaVinci Resolve操作手册，或者通过官网观看相关的培训课程和教学视频。

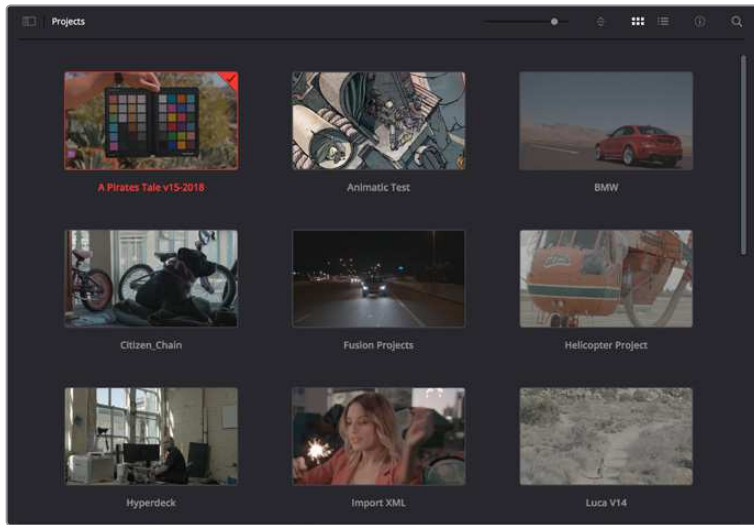
项目管理器

导入片段开始剪辑之前，您需要先使用项目管理器来建立一个项目。

初次运行DaVinci Resolve时，首先出现的界面就是项目管理器窗口，您也可以点击用户界面右下方的主菜单图标按钮，随时打开这一窗口。这样能便于打开之前创建的项目或创建新项目。

要创建新项目，点击窗口底部的“New Project”（新建项目）按钮，然后为项目命名。点击“Create”（创建）。

您可以使用“快编”页面快速开始项目剪辑工作。



项目管理器中可显示属于当前用户的所有项目

更多关于项目管家的信息，请到Blackmagic Design官网的支持页面下载DaVinci Resolve操作手册进一步查阅。

使用快编页面剪辑

快编页面能提供高效、活动的剪辑流程，能让您快速组合、修剪和编辑片段。

该页面设有两条时间线，能分别同时提供完整时间线视图和操作部分的细节放大视图。这样一来，您就可以先将片段快速拖放到完整时间线的任何位置，然后在细节放大时间线上进行剪辑，无需切换和调整界面。这样的工作流程能实现笔记本电脑快捷编辑，省去了繁琐的时间线缩放和滚动查找操作，从而节省大量时间。

快编页面布局

打开快编页面后，将会看到媒体池、检视器窗口和时间线。这三个主要窗口能帮助您完成剪辑全过程中的各项控制。



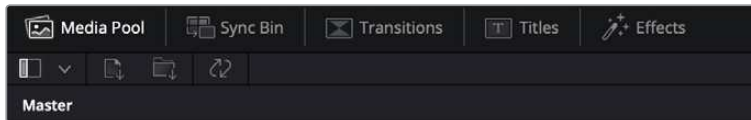
图为快编页面的默认布局，其中媒体池为缩略图显示模式

更多关于快编页面的信息, 请查阅DaVinci Resolve操作手册在“使用快编页面”章节的介绍。

媒体选项卡

用户界面的左上角设有五个选项卡。

点击这些选项卡可分别打开不同的媒体工具集, 它们可用来创建不同的编辑操作。例如, 第一个是“Media Pool” (媒体池) 选项卡, 根据图示可判断该选项卡已被选中。其他选项卡分别为“Sync Bin” (同步媒体夹)、 “Transitions” (转场)、 “Titles” (标题) 和“Effects” (特效)。



- **媒体池:** 媒体池包含了您使用媒体页面导入的所有片段、文件夹以及文件。您也可以直接从快编页面导入文件, 这样就不必回到媒体页面导入新的片段了。
- **同步媒体夹:** 这个强大的功能可通过时间码、日期和时间来自动同步所有片段, 让您选择不同机位角度来制作多机位项目。
- **转场:** 点击同步媒体夹右侧的转场按钮, 可调出所有视频和音频转场, 素材中使用。它们包括交叉叠化和动态划像等普通转场。
- **标题:** 位于转场右侧的是标题选项卡。您可以点击它来选择想要使用的标题, 如标准滚动文本或下横栏标题。此外, 还有一系列Fusion模板供您使用, 获得更具动感的动画标题, 具体可在DaVinci Resolve的Fusion页面中自定义。
- **特效:** 第五个是特效选项卡。该选项卡可提供所有滤镜和特效, 能让丰富素材画面, 比如模糊、发光和镜头特效等。该选项卡里有许多强大的特效供您选择, 使用搜索工具就能快速找到。

提示 使用媒体选项卡图标一侧的搜索工具可精确查找您需要的效果。例如, 如果您选中了转场选项卡, 在搜索栏输入“叠化”后, 所有叠化转场类型就会被筛选出来显示在检视器中, 帮助您快速找到想要的叠化转场。




检视器选项卡

检视器窗口的左上角是检视器模式按钮。



检视器模式按钮

这些按钮可控制当前使用的检视器, 包括“源片段”、“源磁带”以及“时间线”。这些检视器模式能在您选择片段进行编辑时提供大量控制, 因此不妨花些时间了解它们的工作原理。



	源片段	源片段检视器可显示来自媒体池的单个片段，您可以沿整条检视器时间线设置入点和出点，从而获得更好的控制。双击媒体池中的某个片段将其选中，或者将它拖到检视器中，就可以进行查看。
	源磁带	源磁带视图可查看媒体池中的所有源片段。这项强大的功能是您的得力助手，它能帮在所有片段当中快速搜索，找出某个具体片段。当您在片段上方搓擦播放头进行查看时，媒体池中相应片段的缩略图也会高亮显示。这意味着，当您找到想要编辑的片段后，只要点击源片段选项卡，对应的源片段就会自动出现在检视器中。 源磁带检视器模式能让您充分利用非线性编辑的优势，让您自由进行剪辑工作，快速找到镜头，尝试新的想法，呈现出精彩画面。
	时间线	在时间线检视器模式下，您可以查看并剪辑时间线，播放项目并精确剪辑。

将片段导入媒体池

现在，您可以开始将媒体文件导入项目中了。您可以使用顶部的导入工具，在快编页面的媒体池窗口中完成这一操作。



选中其中一个导入选项，将媒体文件添加到项目中

	导入媒体	该选项可导入您在存储位置选中的单个媒体文件。
	导入媒体文件夹	要从媒体存储中导入一个文件夹，请选择这一选项。导入文件夹时，DaVinci Resolve会保留文件结构，将每个文件夹视作一个单独的媒体夹，方便您在不同媒体夹之间导航，找到需要的视频和其他媒体文件。

导入媒体步骤如下：

- 1 点击导入媒体或导入媒体文件夹图标。
- 2 导航到想要导入的媒体文件所在的媒体存储位置。
- 3 选中文件或文件夹，点击“打开”。

将媒体添加到项目中之后，请保存更改。DaVinci Resolve设有快速简便的自动保存功能，叫做“实时保存”。您保存项目一次之后，“实时保存”功能将在您每次更改后自动保存，有效防止数据丢失。

更多关于“实时保存”和其他自动保存功能的信息，请查阅DaVinci Resolve操作手册。

将片段添加到时间线

熟悉了媒体选项卡和检视器模式按钮后, 现在就可以打开媒体池并快速开始在时间线上添加片段了。



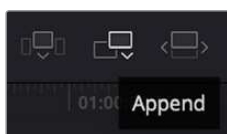
图为快编页面的时间线, 上方为完整时间线, 下方为局部放大时间线

时间线是进行剪辑的地方, 它就像是一块工作板, 您可以在轨道上放置片段, 来回移动片段位置, 并且进行修剪。轨道可以对片段进行上下分层, 方便您尝试不同的剪辑版本并建立转场和添加特效。比如, 您可以将一个片段放置在一个轨道上, 尝试某个剪辑版本的效果, 而下方的轨道均不会受到影响。

将片段添加到时间线有多种不同的方法, 比如智能插入、附加以及叠加等。

附加片段

选择镜头和组合剪辑时, 您可能想要将这些镜头相继添加到时间线上。进行这类操作时, 就可以使用附加工具来快速完成剪辑。



点击附加工具图标按钮, 快速将片段添加到上一个片段的结束处

附加片段步骤如下:

- 1 双击媒体池中的一个片段, 将其在检视器中打开。
- 2 使用搓擦修剪工具, 拖动入点和出点来选中镜头的精确时长。您也可以按“l”和“O”键盘快捷键来设置入点和出点。

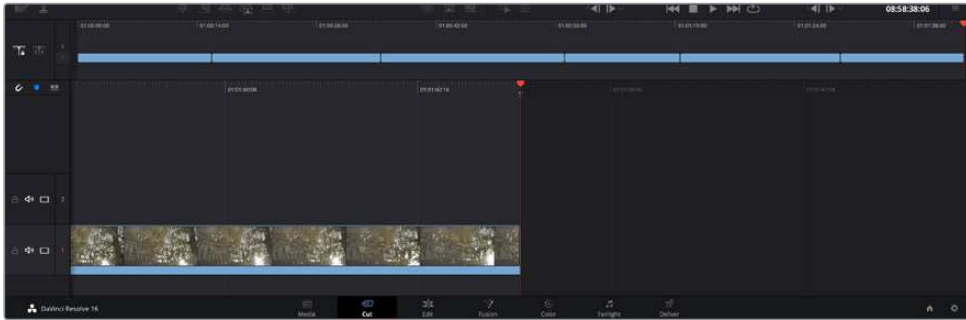


3 现在, 点击媒体池下方的附加图标按钮。



您的第一个片段就会被放置在时间线的开头。

重复步骤1到步骤3的操作, 继续添加更多片段, 它们会自动附加到相应位置, 确保时间线上不会出现空隙。



附加片段的操作方式能确保时间线的片段之间不会出现空隙

提示 您可以为“附加”图标指派一个键盘快捷键, 从而进一步加快操作进程。例如, 您可以将“P”键指派为该功能, 然后使用“I”和“O”键设置入点和出点, 再按“P”键附加该片段。更多关于指派快捷键的信息, 请查阅DaVinci Resolve操作手册。

在时间线上编辑片段

将片段添加大时间线上后, 您就能完全控制片段, 进行移动和修剪编辑了。

要修剪某个片段, 可将鼠标指针悬停在相应片段的开始或结束处, 然后点击并左右拖动。例如, 向左或向右拖动片段尾部, 可分别减少或增加其时长。您可能注意到, 执行刚才的剪辑操作后, 所有片段在时间线上的位置都会发生变化, 以适应新的调整。这就是快编页面帮助您节省时间的一种方式。

您还可以选取一个片段, 然后将它放置到大型时间线的新的视频轨道上, 无需缩放操作就可完成。这样能极大地缩减在庞大时间线上来回导航所花费的时间, 从而有效加快剪辑进程。

在快编页面上完成片段剪辑之后, 可能还需要添加一个标题。下节内容将具体介绍如何操作。

添加标题

将标题添加到时间线上十分简单, 并且种类多样。

要查看可供使用的标题类型, 可点击用户界面左上角的“标题”媒体选项卡。在出现的选项窗口中, 您会看到所有可供使用的标题生成器, 包括下横栏标题、滚动标题、标准文本标题等。您还可以添加各种Fusion标题, 也就是可自定义的动画标题。

此处将以添加标准标题为例。

具体步骤如下:

- 1 点住“文本”标题, 将其拖放到时间线上。您可以任选一条时间线, 但是为了提高准确度, 建议您使用放大显示的时间线。标题会自动创建一个新的视频标题轨道, 并且会吸附到播放头的位置。
- 2 松开鼠标后, 标题就会出现在新的轨道上。您可以想处理视频片段一样, 移动标题的位置或更改其时长。
- 3 如要编辑标题, 可点击新的标题片段, 片段检视器下方会出现“工具”图标按钮。点击工具图标。界面中会显示一排工具, 可用来修改标题片段。这些工具包括变换、裁切、动态缩放等。在本例中, 请点击“标题”工具。
- 4 然后点击“打开检查器”。

检查器窗口打开后, 您可以输入一个标题, 然后编辑文本设置, 比如字距、行距、字体、颜色等等。

您可以使用多种选项, 将标题自定义为理想中的效果。建议您不妨自行尝试和摸索所有设置, 看看各种设置带来的不同标题效果。

使用Blackmagic RAW文件

Blackmagic RAW片段可为您的后期制作提供最大的灵活性。这样能方便您在更改原始摄影机设置时调节片段各项参数, 如白平衡和ISO设置。使用Blackmagic RAW格式还可保留暗部和亮部的色调信息, 这将在细节恢复操作时非常有用, 比如恢复过曝的天空和过暗的图像部分。

如果您追求的是更高的画质, 或者拍摄亮部和暗部有显著差别的影像并于随后进行细节恢复处理并加以调色, 那么使用Blackmagic RAW格式将是不错的选择。

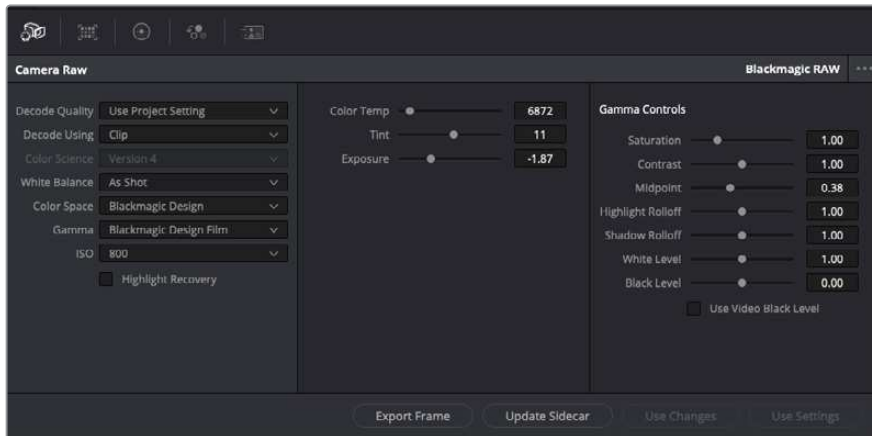
由于Blackmagic RAW速度快, 文件小, 您不需要创建代理文件就可以像标准视频片段一样播放。操作手册这部分内容描述了关于Blackmagic RAW功能, 以及如何在DaVinci Resolve工作流程中使用Blackmagic RAW文件的信息。

提示 开始调色前, 先为调色页面的片段调整Blackmagic RAW设置是较好的做法。

Blackmagic RAW的片段设置

当您首次导入Blackmagic RAW文件时, DaVinci Resolve会根据拍摄时所使用的ISO、白平衡以及色调设置对文件中包含的摄影机数据进行解码。如果您对这些设置下的画面风格满意, 就可直接开始编辑。

使用Blackmagic RAW格式拍摄的一大好处在于, 您完全不会受限于这些设置! 使用Blackmagic RAW文件可获得灵活的后期处理选项, 这样您就可以逐渐发展出自己的一套工作流程。尝试在“Camera Raw”选项卡中对每个片段进行“片段”设置, 您会发现Blackmagic RAW格式有多么强大和灵活。



在“Camera Raw”选项卡中，从“解码方式”下拉菜单中选择“片段”，可调整单个片段的Blackmagic RAW设置。

一旦启用了DaVinci Resolve的Blackmagic RAW片段设置，片段设置和Gamma控制就都可以进行调整了。通过调整这些设置可以优化您的片段，让其更接近全面一级校色的效果。当使用DaVinci Resolve示波器时更为强大，有助于中性化和平衡片段，为片段应用某种风格做好准备。

以下内容介绍了关于片段和Gamma控制的信息。

ISO

升高或降低此设置可调整ISO数值。如果您需要将片段调整到更亮或更暗的起始点进行调整时，此设置很有用。

高光恢复

勾选该复选框可使用来自未裁切通道的信息来重建裁切通道中的高光信息。

色温

可将图像的色温调整到暖色或冷色。该操作有助于每个图像的色彩平衡。

色调

调整此设置可为图像添加绿色或品红色，从而起到平衡色彩的作用。

曝光

通过此设置可调整画面的整体亮度。

饱和度

饱和度控制默认为1，范围从最小饱和度-1到最大饱和度+4。

对比度

默认为1.0，将滑块向左拖动获得最小饱和度0，向右拖动可将饱和度最高增加到2。

中点

Blackmagic Design Film模式下，中间灰值默认为0.38，也就是38.4%。向左拖动滑块可降低中点，向右拖动最高可增加到100。当对比度的调整与默认设置不一致时，您可以修改高光和阴影过渡。

高光过渡

调整高光时，向左拖动滑块可将该值降低到0，向右拖动滑块可将该值增加到2。默认值是1。

阴影过渡

向左拖动滑块可将阴影降低到0，向右拖动可增加至2。

白电平

如要调整Gamma曲线的白场，可将滑块在最高值2和最低值0之间拖动。默认值是1。

黑电平

如要提高自定义Gamma曲线的黑场，可将右边的滑块从最低值-1拖动至最高值1。默认值是0。

使用视频黑电平

点击复选框将黑电平设置为视频模式。

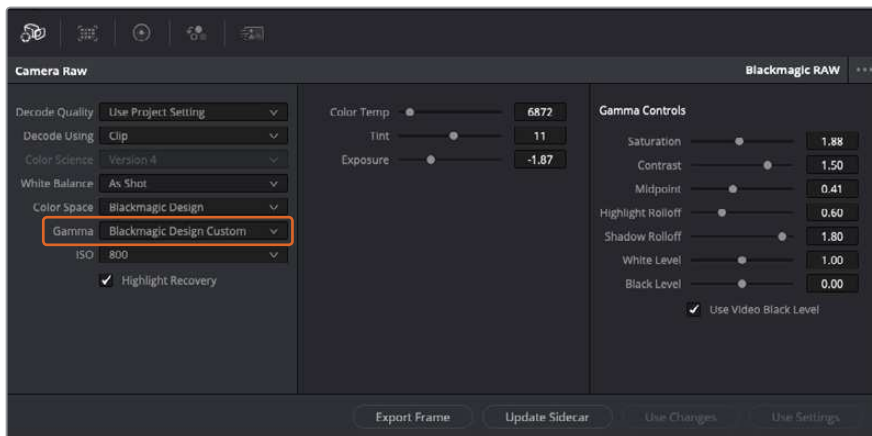
导出帧

点击“导出帧”按钮，可让您从Blackmagic RAW片段中导出某一帧画面。

更新Sidecar

点击此按钮可为当前片段更新Blackmagic RAW Sidecar文件。

您对Blackmagic RAW片段所做的任何修改都会被识别为Blackmagic Design Custom的Gamma设置更改。



如果您希望把片段恢复到任何可用的默认Gamma选项，可以在Gamma下拉菜单中选择相应选项。

提示 用“Video”动态范围拍摄的影像无法使用Gamma控制，但Blackmagic RAW数据并没有丢失。只需从Gamma下拉菜单中选择“Blackmagic Design Film”或“Blackmagic Design Extended Video”，然后进行调整。

保存您对Blackmagic RAW的修改

- 1 调整Blackmagic RAW片段的Gamma控制。
- 2 点击“更新Sidecar”按钮。

系统将在同一个文件夹里创建一个“Sidecar”文件作为.braw文件。当另一位用户导入Blackmagic RAW文件时, DaVinci Resolve会自动读取这些Sidecar文件。如果您进行了其他调整, 请再次点击“更新Sidecar”。

提示 如要移除Sidecar文件, 只需将其从存储介质的位置上删除即可。

Blackmagic RAW的项目设置

如果您需要改变适用于所有片段的设置, 比如: 统一修改白平衡或ISO, 可以使用项目的“Camera RAW”设置进行统一修改。

为Blackmagic RAW进行项目设置:

- 1 点击“文件”, 选择“项目设置”, 进入项目设置菜单。
- 2 在“Camera RAW”选项卡中, 您会看到RAW配置文件旁边有一个下拉菜单。点击箭头可从列表中选择Blackmagic RAW。
- 3 在“解码方式”下拉菜单中选择“项目”。
- 4 将白平衡设置为“自定义”。
- 5 从Gamma下拉菜单中选择“Blackmagic Design Custom”。将色彩空间设为“Blackmagic Design”。这将同时把Gamma设置为“Blackmagic Design Film”。
- 6 在“解码质量”菜单中选择分辨率。对于性能有限的系统, 较低的分辨率播放效果会更好。之后也可以调整为全分辨率, 然后输出最高质量的文件。

现在, 您可以调整片段的摄影机设置, 比如饱和度、对比度和中点等。这将影响项目中设置为使用“项目”解码的所有片段。

使用调色页面为片段调色

将片段添加到时间线, 并且添加了标题之后, 就可以开始使用调色页面进行调色了。调色页面非常强大, 影片的整体风格将在这里成型。在这个例子中, 我们将首先平衡片段色彩, 使它们保持一致性。在此期间, 您可以随时回到快编或剪辑页面对素材进行调整。

调色页面可用来调整素材的画风。从很多方面来看, 调色本身就是一门艺术。您在进行调色的时候, 会将自己的情感注入到作品当中。这是工作流程当中极具创意的一个环节, 当您看到自己精心雕琢的作品呈现在荧幕之上时, 也会收获满满的成就感! 通常来说, 这是调色的第一步, 也就是我们常说的“一级校色”。完成一级校色之后, 就要进入二级调色阶段。在这个阶段, 您可以对画面中的具体对象进行细致精准的色彩调整。这是个充满趣味的过程, 一般会放在一级校色之后进行, 因为这样能使制作流程更加高效, 效果也会更好!

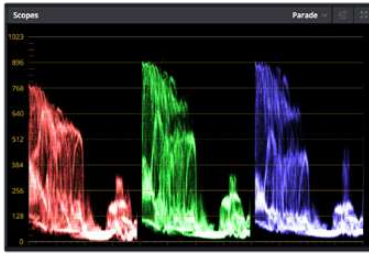
首先, 点击“调色”选项卡, 打开“调色”页面。

该页面中有Camera Raw设置、色轮、曲线面板和常用的调色工具以及预览和节点窗口。当您看到面前这些大量工具时不用慌张, 它们都是能够帮助您获得最精彩画面的实用功能。这一入门章节会展示基本操作, 要活的更详细的介绍, 请查阅操作手册中的相关内容。操作手册将为您详细介绍每项功能, 以及如何按照简单易行的步骤进行使用。从中您可以了解到专业人士在高端调色工作室所使用的技能。

一般来说, 第一步就是进行一级校色, 对片段的暗部、中间调和亮部电平进行优化。您可以通过调整“暗部”、“中灰”和“亮部”设置来实现。这可以让您的素材画面有一个干净平衡的起点, 从而更好地开展影片调色工作。优化电平时, 使用示波器作为参考会很有帮助。

使用示波器

大多数调色师都会通过创意调色来着重突出影片所要表现的情感，并使用监视器来辅助他们得到想要的画面风格。您可以观察日常物品以及不同的光线和它们之间产生的互动，并通过您的想象力和实践来获得灵感。



分量示波器可帮助您优化画面的亮部、中间调和暗部。

调色的另一个途径是使用内置的示波器对镜头画面进行色彩平衡处理。您可以点击“示波器”按钮打开单个视频示波器显示，该按钮位于设置面板工具栏右起第二个。您可以选择显示波形示波器、分量示波器、矢量示波器和直方图。您可以使用这些示波器来监看色调平衡，检查视频电平并防止暗部色彩挤压及亮部裁切限幅，还能监看片段中出现的任何偏色现象。

“色轮”设置面板中设有“暗部”、“中灰”和“亮部”控制项，通常可作为第一轮调整使用。如果您具备调色背景，就应该已经在其他软件中接触过这些色彩和对比度调整控制。



“暗部”、“中灰”、“亮部”、“偏移”色轮用于控制片段的色彩及色调平衡。

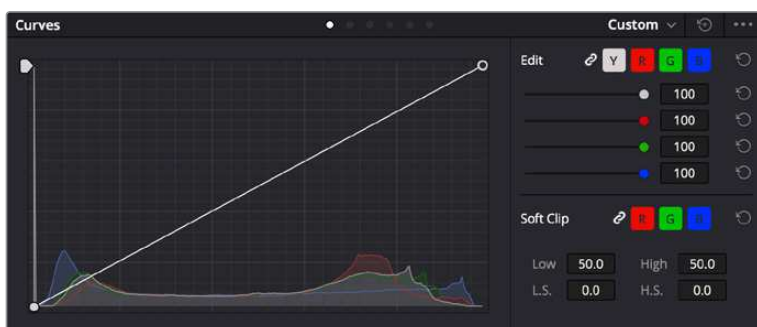
拖动并来回滚动色轮下方的滚轮可对所有色彩的每种色调区域进行统一的调整。

如果想要使用鼠标来更加准确地控制每类色彩, 您可以将色轮更改为“一级校色条”模式, 具体调整每个色彩和亮度通道, 分别控制暗部、中灰以及亮部控制项。只需选择色轮右上方附近的下拉菜单中的“一级校色条”即可切换模式。

- **调整“暗部”**: 首先请在色彩时间线上选中一个片段, 点击位于第一个色轮下方的“暗部”滚轮。来回滚动该滚轮来查看该参数变化对画面的影响。您可以看到画面中暗部的亮度会相应提高或降低。请根据需要进行设置, 使暗部区域获得最佳表现。如果“暗部”参数提升过度, 图像暗部的细节就会丢失, 您可以参考分量示波器加以避免。波形图上的暗部位置以恰好位于分量示波器的底线之上为最佳。
- **调整“亮部”**: 点击“亮部”滚轮并来回滑动。该参数可调整亮部信息, 即片段中最亮的部分。亮部信息位于分量示波器的波形顶部。如果画面有充足明亮的风光, 那么该画面在示波器中以恰好位于波形顶线之下为最佳。如果亮部信息超越了示波器波形的顶线, 那么这部分信息将被切掉, 而您画面中最亮部分的内容将缺失。
- **调整“中灰”**: 点击位于色轮下方的“中灰”滚轮并来回滑动。在提升中灰值的同时, 您可以观察到画面的亮度随之增加, 而且波形的中段部分也会随之移动。该值体现的是片段中的中间调。通常中间调的波形位置以位于示波器的50%至70%处为最佳。但是, 根据您需要的创意风格以及灯光条件, 这一参数或有所不同。

此外, 您还能使用曲线设置面板来实现一级调色。只需通过点击操作在曲线图中的对角线上创建控制点, 并上下拖拽来调整画面不同区域的主RGB对比度色调即可。曲线调整的最佳位置位于底部三分之一、中部及顶部三分之一处。

DaVinci Resolve中还有很多方式来完成一级调色。



曲线面板工具也可用来进行一级调色, 或使用Power Window来强化片段中的局部区域。

二级调色

如果要对画面中的特定部分进行调整, 那么您就需要使用二级调色。目前为止, 您使用暗部、中灰和亮部等参数所做的调整都会同时影响画面整体效果, 因此这一过程被称为“一级校色”。

但是, 如果需要调整画面中的特定部分, 例如要美化画面中草地的部分, 或要加深天空的蓝色, 那么就要用到二级调色功能。进行二级调色时, 您可以选中局部画面内容, 并只对选中部分来单独调整。您可以使用节点将多个二级调色操作堆栈在一起, 这样就可以一直处理画面各部分内容, 直至所有部分完成相应的处理! 此外, 您还能使用窗口和跟踪功能, 让画面中的选定部分跟随主画面一起移动。

限定某一色彩

很多时候您要突出强调片段中的某一色彩, 比如路边的草坪和天空的蓝色, 或者您可能需要调整画面中某个对象的色彩来吸引观众的注意力。通过HSL限定器工具可以让您轻松实现这一操作。



当您需要突出强调画面中的某些部分、增加对比度或要将观众的注意力集中到某些区域时, 使用HSL限定器选择画面色彩十分实用。

如何限定某一色彩:

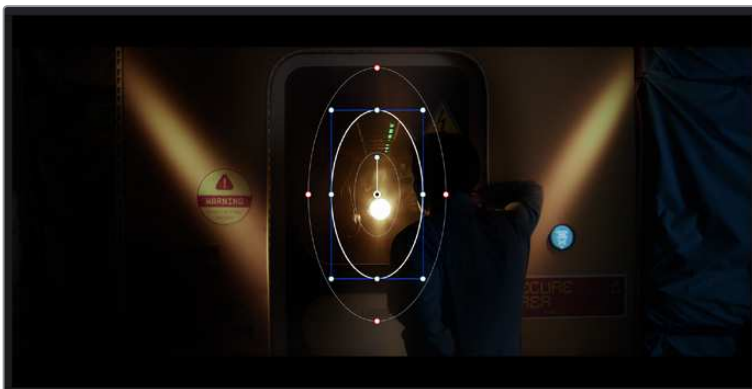
- 1 添加一个新的串行节点。
- 2 打开“限定器”设置面板, 确保选中“选择范围”拾色器工具。
- 3 点击片段中您想要调整的色彩。
- 4 一般情况下, 您需要进行一些调整来柔化所选对象的边缘, 且该操作仅对所选颜色有效。点击视器上方的“突出显示”按钮查看所选内容。
- 5 调整“色相”窗口中的“宽度”控制来控制所选内容的宽窄。

尝试调整高区柔化、低区柔化以及柔化程度控制工具来观察这些参数如何细化您的所选内容。然后您就可以使用色轮和自定义曲线对所选色彩进行调整了。

有时, 所选色彩会溢出到镜头中其他不需要调整的部分。您可以使用Power Window将不需要调整的部分通过遮罩功能隔离出来。只需创建新的Power Window窗口, 并调整其形状, 让它只包括所选色彩的区域。如果所选色彩在镜头中处于移动状, 您可以使用跟踪功能来跟踪Power Window。

添加Power Window

Power Window是极其高效的二级调色工具, 它可以隔离片段中的特定区域。这些区域不一定是静止对象, 您可以跟踪它们使之随着摄影机的平移、竖移和转动, 以及所选部分自身的移动一同移动。



使用Power Window将不希望受到HSL限定器二级调色操作影响的区域隔离出来。

例如, 您可以跟踪一个位于人物上的窗口来仅对窗口中的对象进行色彩和对比度调整, 却不会影响该人物周围的画面内容。此类调色操作可以将观众的注意力转移并集中到您想要强调的画面部分。

如何在片段上添加Power Window:

- 1 添加一个新的串行节点。
- 2 打开“窗口”面板, 点击形状图标来选择一种窗口形状。选中的窗口形状将显示在节点上。
- 3 点击并拖动该形状周围蓝色的点来重新调整它的大小。红色的点可调节其边缘柔化程度。点击并移动中心的点可将该形状移动到想要隔离的位置。使用与中心点连接的点来旋转窗口。

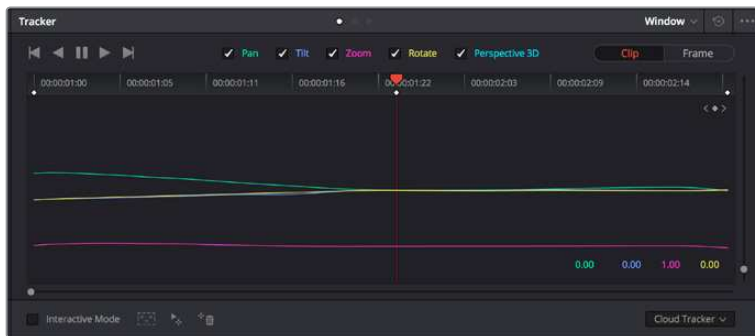
现在您就可以对画面的特定部分进行调色了。



Power Window可以让您对画面中的特定部分进行二级调色。

跟踪窗口

由于拍摄画面中的摄影机、物体或区域可能会移动, 因此为了确保窗口位于所选物体或区域, 就需要使用DaVinci Resolve强大的跟踪功能。跟踪器可分析摄影机或画面中物体的平移、竖移以及缩放和旋转, 以便您添加的窗口可始终跟随所选对象。如果不进行窗口跟踪, 您的调色操作可能会离开所选目标并给您造成不必要的麻烦。



您可以使用跟踪器功能来跟踪片段中的对象或区域, 以便Power Window跟随对象移动。

如何对移动的物体进行窗口跟踪：

- 1 创建新的串行节点并添加一个Power Window。
- 2 回到片段开头部分放置窗口并调整大小，以便仅突出显示需要的区域。
- 3 打开“跟踪器”面板。根据需要勾选或取消勾选相应的“分析”复选框，为片段选择平移、竖移、缩放以及旋转等相应的3D设置。
- 4 点击复选框左侧的向前箭头。然后DaVinci Resolve将会在您的片段上应用一组跟踪点，并逐帧分析对象的移动。完成跟踪后，Power Window将跟随片段中的移动路径。

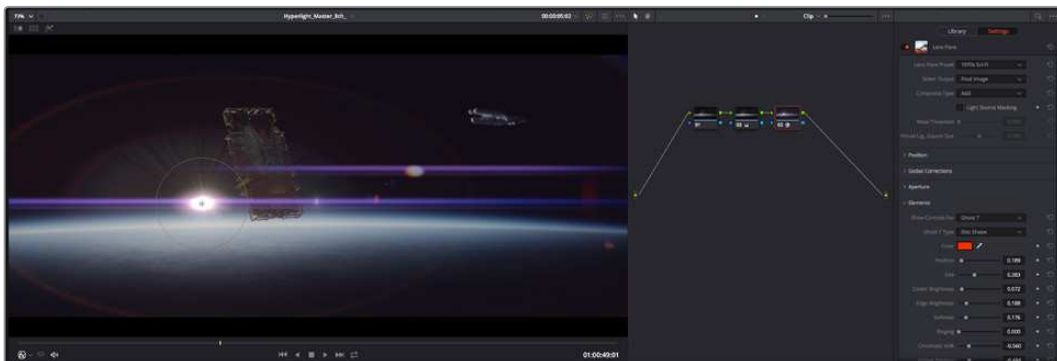
大部分情况下使用自动跟踪便可以成功完成上述操作，但是有时候场景会比较复杂，并且有些物体可能会从您选中的区域前景越过，这会干扰并影响跟踪功能。此时您可以使用关键帧编辑器来手动解决这一问题。请参考DaVinci Resolve操作手册获得更多信息。

使用插件

从事二级调色时，您可能还需要添加ResolveFX或OpenFX插件在“调色”页面快速创建有趣的画面风格和效果，或在“剪辑”页面为片段添加富有创意的转场和特效。ResolveFX会随DaVinci Resolve一同安装，OFX插件可通过第三方供应商购买或下载。

安装OFX插件后，只要开启“节点编辑器”右侧的OpenFX检查器就能在调色页面中打开这些插件或ResolveFX插件。创建了新的串行节点后，只需点击“OpenFX”按钮打开特效库面板，然后将一个插件拖放到这个新节点上即可。如果该插件具有可编辑设置，您可以在相邻的“设置”面板中使用这些设置。

您可以在“剪辑”页面中打开“特效库”里的“OpenFX”面板，将所选插件拖拽到时间线的视频片段或轨道上方（视插件具体要求而定），就可以在片段上添加插件滤镜、生成器和转场。



OFX插件是您发挥想象力、进行充满趣味和个性创作的一种快速便捷的途径。

混合音频

在剪辑页面混合音频

项目剪辑和调色完毕后, 就可以开始混合音频了。DaVinci Resolve拥有一套实用的工具, 可直接在剪辑页面完成项目的剪辑、混合及音频母版等制作。对需要更高级音频工具的项目而言, Fairlight页面可提供一整套音频后期制作环境。如果您已经比较熟悉剪辑页面, 想要直接跳至Fairlight页面, 可跳过此章节, 直接阅读下个章节。

添加音频轨道

如果您正在剪辑页面并想要为基本声音剪辑文件混合大量音效和音乐, 只需根据需要添加更多音频轨道即可。当您想要构建声效并将音频元素分离到单独的轨道上用于如对白、音效以及音乐等的混音时, 这一功能非常实用。

在剪辑页面添加音频轨道

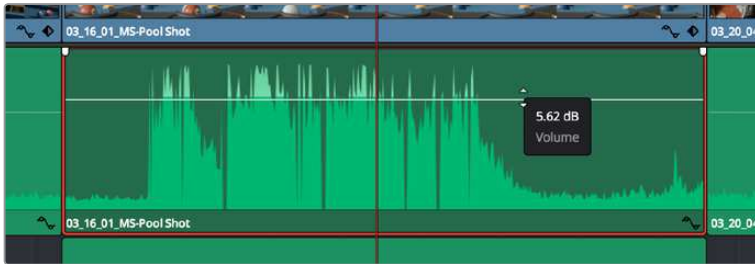
在时间线上任意一个音频轨道的名称旁边右击并选择“添加轨道”, 然后根据需要选择“单声道”、“立体声”和“5.1声道”选项, 从而在轨道列表底部添加一个轨道。或者, 您也可以选择“添加自定义轨道”, 然后选择一个或多个新轨道放置在哪个位置。

新的音频轨道将出现在时间线上。

提示 如果您在创建轨道之后想要进行更改, 可以在轨道名称一侧右键点击, 并选择“将轨道类型更改为”, 然后选择如立体声、单声道或5.1声道等音频轨道类型。

在时间线上调整音频电平

时间线上的每个片段音频都包括一个音量叠加显示, 只要用指针上下拖动即可设置片段的电平。这个叠加显示与检查器中的音量参数是一致的。

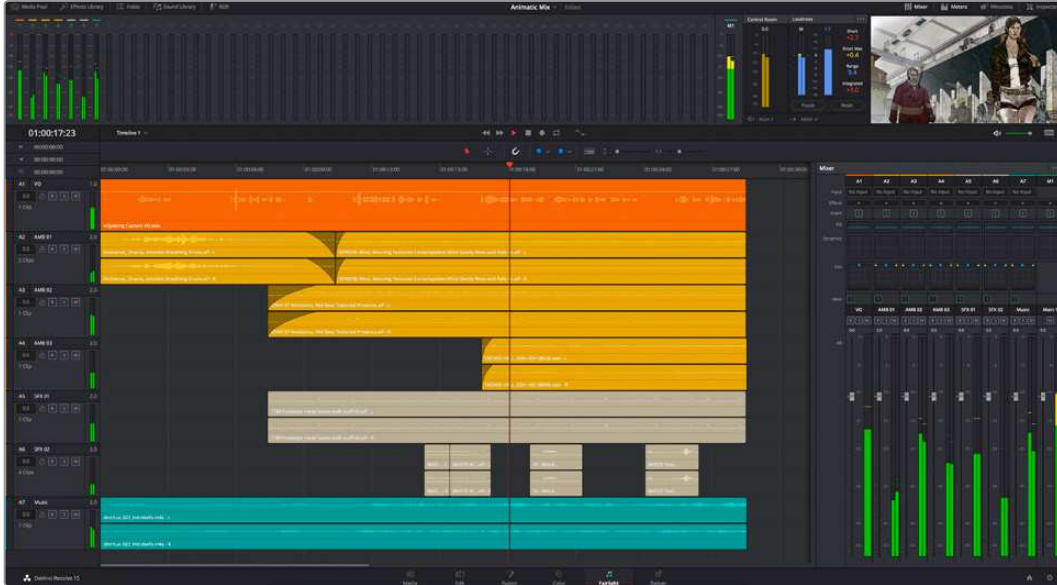


拖动音量叠加显示来调整片段电平

对需要更高级音频工具的项目而言, Fairlight页面可提供一整套音频后期制作环境。

Fairlight页面

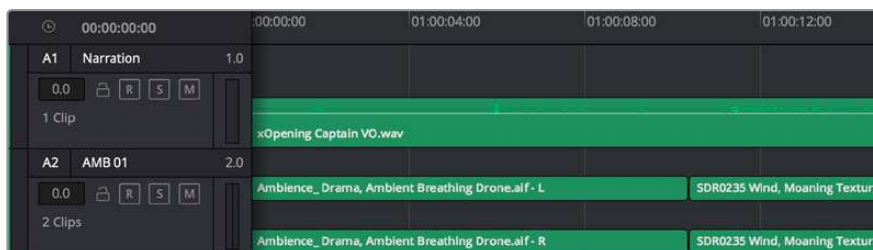
DaVinci Resolve中的“Fairlight”页面是用于调整项目音频的。在单检视器模式下, 该页面为您的项目提供了优化音频轨道界面, 显示有扩大的混音器和自定义监听控制, 可让您轻松地评估和调整电平从而构建自然和谐的混合音效。当您看到面前这些大量工具时不用慌张, 它们能够帮助您为项目获得最佳音质。



本手册只是对Fairlight页面功能进行了基本概述, 如果想要了解各个功能详情, 请查阅DaVinci Resolve操作手册。DaVinci Resolve操作手册详细介绍了每个工具的用途并通过易于操作的步骤描述了如何使用这些工具。

音频时间线

- **轨道标头:** 每个轨道的左侧是轨道标头区域, 显示了轨道编号、轨道名称、轨道颜色、音频通道、推子值以及音频表等信息。轨道标头还包括锁定和解锁轨道, 以及单声道和静音控制等不同控制选项。这些控制选项可帮助您管理和组织轨道, 让您挨个预览单个轨道。
- **轨道:** 在Fairlight页面上, 每条轨道会进行细分, 显示出片段音频的各个声道, 便于剪辑和混音。剪辑页面则会将这些单独的音频通道隐藏起来, 只在时间线上显示一个单独的片段, 避免了管理大量轨道的视觉混乱, 从而为多通道源片段的剪辑工作带来便利。



A1轨道的轨道标头显示了一条轨道的单音轨代表了单声道音频, 而A2轨道标头则显示了两条轨道的立体音轨代表了自适应立体声音频。

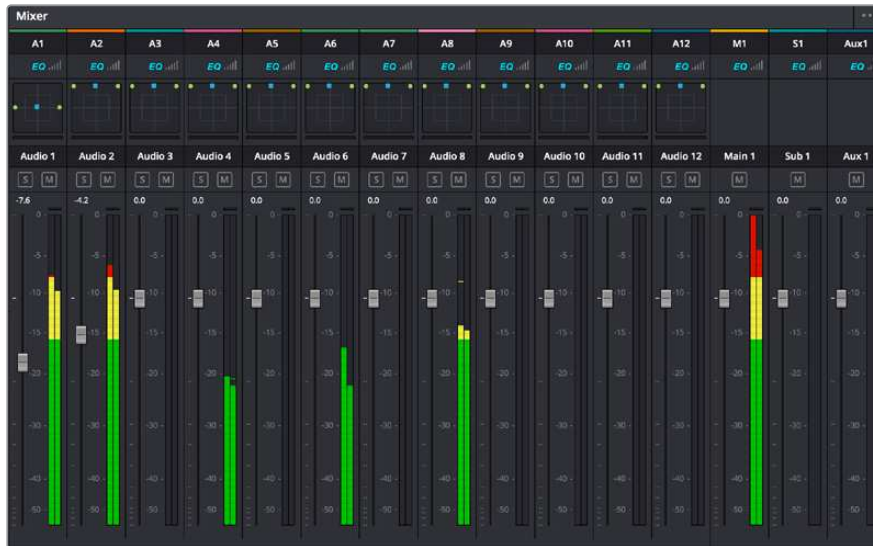
什么是总线？

总线是您从时间线上指派多条音轨的目标通道，从而将它们混合成单个信号，以便通过一个通道条进行控制。

- **主混总线：**“主混总线”通常是一个节目和每个新项目的主要输出，开始从单个“主混总线”入手，再到默认指派的所有轨道。“主混总线”将时间线上的所有轨道合并成一个信号，从而当为每个单独轨道调整好电平后，就可以调整混音的整体电平。
- **子混总线：**“子混总线”可将同类音频的多个轨道合并在一起，例如对白、背景音乐或特效等，因此所有属于通过类别的音频可以混合成为单个音频信号。例如，您现有五个对白轨道，就可以把所有五个对白轨道的输出指派到一个“子混总线”，这样所有的对白的电平就可以通过一套控制进行混合了。这一子混总线可以单独渲染或发送到主混总线进行渲染。

调音台

时间线上的每条音轨在混音器上都对应于一个单独的通道条，默认设置下在右侧会有一个标有“M1”的单独条块对应于“主混总线”。随着您创建其他的“主混总线”和“子混总线”，右侧会相应地出现带有控制选项的其他通道条。这里提供了一组图表控制工具，让您可以将轨道通道指派到输出通道、调整均衡器和动态、设定电平和记录自动化、调整立体声声相和环绕音频、以及静音和单声道轨道等处理。



图为调音台，其多个通道条分别对应的是时间线上的多个轨道。

使用均衡器加强音频

调整完项目中音频片段的音频电平后，您可能会发现音频还需要进一步微调。有些情况下，您可能会发现对白、音乐和音效在音频频谱的相同频段上互相干扰，导致音频太过嘈杂且不清晰。这时使用均衡器会有帮助，因为它能帮助您判断出每个音轨在音频频谱上所处的具体频段位置。您还可以通过均衡器从音频中移除不想要的元素，它可以隔离或降低包括隆隆声、嗡嗡声、风声、嘶嘶声等某些特定频率的电平，或者能让总体音效变得更优质、更悦耳。

DaVinci Resolve提供了均衡器滤波器可应用于每个单独片段的片段电平上, 或应用在整个轨道的轨道电平上。时间线上的每个音频片段在检查器面板中具有四个频段的均衡器, 每个轨道在调音台面板中具有六个频段的参量均衡器。这些图表和数字控制可增强或衰减频率的不同范围, 不同的滤波器可让您定义均衡器曲线的形状。



四频段均衡器可应用到时间线上的每个片段

外部频段让您可以通过上限、下限、高通和低频滤波器进行频段滤波器调整。通过式滤波器会影响所有高于或低于某个特定频率的频率, 将这些频率从信号中彻底移除。例如, 高通滤波器可以让高频率通过滤波器, 并同时切除低频。位于截止频率以外的任何频率则会以向下倾斜曲线的方式逐步剪切。

搁架式滤波器相对显得平和一些, 如果您只想对信号的高频或低频部分进行塑形, 而并非完全滤除这些频段, 就可以使用这一滤波器。搁架式滤波器可以均匀地增强或减弱目标频率以及高于或低于目标频率的部分, 这取决于您使用的是高架还是低架滤波器。

频段控制的中部设置可让您进行很广泛的一系列均衡器调整, 可在低架、钟型、陷波和高架滤波器选项间进行切换。

- **钟型滤波器:** 钟型滤波器可以增强或减弱钟型曲线给定中心点周围的频率, 正如这一名称所暗示的该曲线的形状像钟罩。
- **陷波滤波器:** 陷波滤波器允许您瞄准特定的窄频率范围。比如在50或60Hz时去除电源哼声。
- **低架滤波器:** 低架滤波器会增强或降低下限目标频率, 以及之下的所有频率。
- **高架滤波器:** 高架滤波器会增强或降低上限目标频率, 以及之上的所有频率。

为单个片段添加均衡器:

- 1 在时间线上选中您想要为其添加EQ滤波器的片段。
- 2 点击检查器再点击“片段均衡器”启用按钮。

为轨道添加均衡器：

- 1 在混音器中双击一个轨道的均衡器区块，从而将该轨道的均衡器打开。
- 2 从下拉菜单中选择您希望调整的频段滤波器类型。



调音台面板中的均衡器区块显示了轨道1已应用均衡器曲线



六频段参量均衡器可应用到每个轨道

为片段或轨道添加均衡器后，就可以为每个频段调整其均衡器了。需要注意的是，选择不同的频段滤波器可能会有不同的控制。

为频段滤波器调整均衡器：

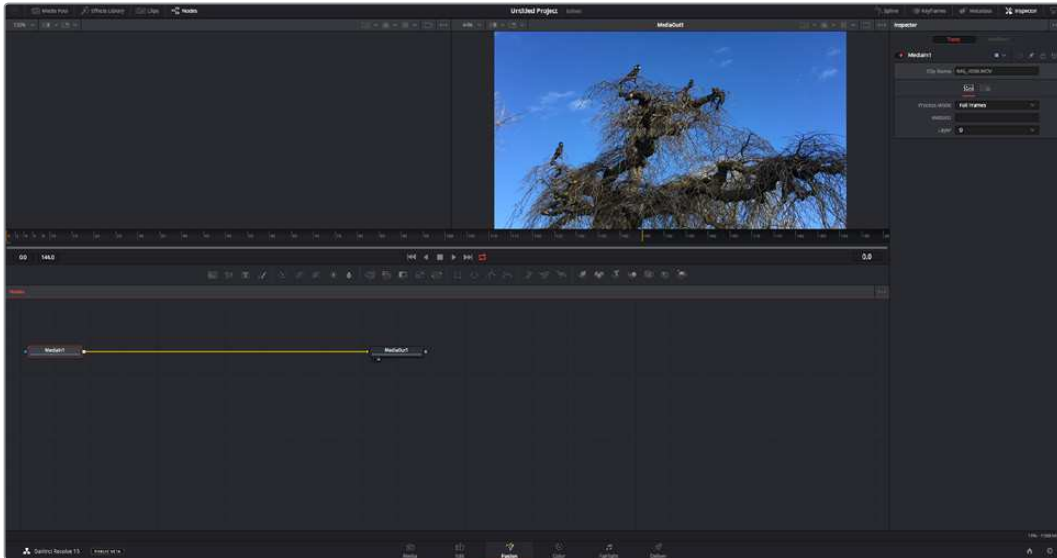
- 1 从下拉菜单中选择您希望调整的频段滤波器类型。
- 2 调整“频率”值可为均衡器调整选择中心频率。
- 3 调整“增益”值可增强或减弱该频段的频段。
- 4 使用“品质因数”可调整作用频率的带宽。

使用重置按钮可将均衡器窗口内的所有控制重设回默认设置。

Fairlight还设有许多控制可让您改善每条音轨的音质。您可以添加更多轨道并通过总线来进行组织管理，还可以添加延迟或混响，逐步完善您的混音。

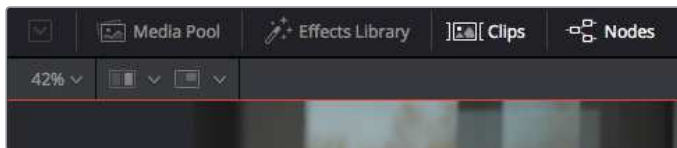
在Fusion页面添加视觉特效和合成效果

完成剪辑后，您可以打开Fusion页面，在DaVinci Resolve中添加2D或3D视觉特效和动态图形。与基于图层的合成软件不同，Fusion采用节点式操作，能让您更加自由地创建复杂效果，同时还可将图像数据指派到任何方向。节点窗口清楚显示了流程中使用的所有工具。如果您使用过调色页面的节点工作流程，就并不会对节点窗口感到陌生。

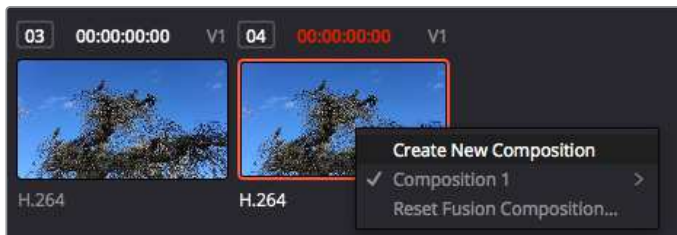


Fusion页面

Fusion页面上方配有两个带播放控制的检视器窗口，用于查看媒体，右边的检查器窗口用于访问工具设置，下方的节点窗口用于创建合成。虽然检视器和播放控制始终可见，您可以点击显示器顶部界面工具栏中的图标来显示或隐藏节点窗口和检查器窗口，以及特效库，样条线和关键帧编辑器等其他窗口。



- **媒体池**：媒体池的功能与剪辑页面中显示的相同。只需将媒体文件从媒体夹直接拖进合成即可。
- **特效库**：在特效库中，Fusion工具和模板都按照粒子、跟踪、滤镜和发生器等进行分类。您可以点击工具或者将它拖到节点区域，然后添加到合成里。媒体池和特效库占用同样的屏幕区域，您可以在两者之间切换，让检视器的面积尽量大。
- **片段**：点击片段选项卡会显示或隐藏代表时间线上相应片段的缩略图。缩略图位于节点编辑器下方，便于您即时前往其他片段。



右键点击缩略图，然后选择“创建新的合成”，可创建合成的新版本。

- **检视器:** 检视器总是可见, 以便您查看不同的合成视图, 比如合并3D节点后的总体3D投影, 摄影机输出, 或者最终的渲染输出。这些检视器还可以用来查看各项修改对特定元素所产生的影响。您还可以选择查看的节点, 只要点击一个节点, 按数字键“1”即可在左侧检视器中查看, 按数字键“2”即可在右侧检视器中查看。您可以通过节点下方的白色按钮图标判断出该节点被指派到哪个检视器。如果您使用外部视频监看, 则会出现第三个按钮, 可用将来媒体指派到外部视频监视器上。

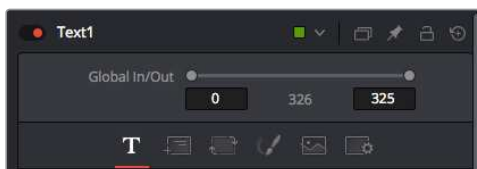
提示 您也可以通过将节点直接拖入检视器的方式, 将节点指派给相应检视器。

您可以通过检视器下方的播放控制跳过片段的头或尾, 正放、倒放或停止播放。时间标尺可显示片段的总体范围, 黄色标记代表入点和出点。



时间标尺上的黄色标记代表片段在时间线上的入点和出点。如果您使用Fusion片段或复合片段, 时间标尺只会显示时间线上的片段时长, 不显示余量。

- **节点:** 节点窗口是Fusion页面的核心, 您可以在这里将一个节点工具的输出端与另一个节点工具的输入端连接到一起, 创建自己的节点树。这个区域会根据打开的编辑器而改变大小, 比如样条线或关键帧编辑器。节点区域顶部的工具栏配有最常用的工具, 便于您快速调用。
- **样条线:** 样条线编辑器打开时会出现在节点窗口的右侧。您可以使用该编辑器对每个节点进行精准调整, 比如用贝塞尔曲线对两个关键帧之间的动画进行平滑处理。
- **关键帧:** 使用关键帧编辑器可以添加、删除或者修改每个工具的关键帧。关键帧编辑器也位于节点检视器的右侧。
- **元数据:** 元数据窗口显示当前片段可用的元数据, 包括编解码格式、帧率和时间码。
- **检查器:** 位于右上角的检查器可显示一个或多个选中节点的所有设置和修改器。其他选项卡选项也会出现, 让您快速访问按种类排序节点的其他设置。



文本检查器中有其他选项卡, 包括文本、布局、转换、着色、画面和设置等。

Fusion使用入门

开始使用Fusion时, 将播放头放在时间线上的任何片段上, 然后点击“Fusion”按钮, 即可打开Fusion页面。

在Fusion页面上, 片段在标为“MediaIn”的媒体输入节点中立即可用。所有合成都以“MediaIn”和“MediaOut”两个节点为起点。MediaIn节点表示时间线播放头所在位置最上方的片段, 下方所有片段均被忽略。您在剪辑页面中对片段应用的所有调整全部包含在内, 比如转换工具和裁切修改。



名为“MediaOut”的媒体输出节点将输出画面发送回DaVinci Resolve剪辑页面上的时间线。

提示 在剪辑页面的片段上应用的ResolveFX或OFX插件不会应用于Fusion页面。这是因为Fusion特效发生在调色和OFX/ResolveFX处理之前。如果您希望在Fusion特效之前应用OFX, 就需要先右键点击剪辑页面中的相应片段, 选择“新建Fusion片段”, 然后再点击Fusion页面。

了解节点

为了有助于理解, 您可以把每个节点想象成代表单一工具或特效的视觉图标。节点之间相互连接, 创建出总体合成, 就像蛋糕的各种原料。了解每个节点的输入输出非常重要, 因为这能帮助您在创建精细的视觉特效时, 把握合成的流程顺序。

有些工具设有多个输入和输出端与其他节点连接。比如“Merge” (合并), 该节点可以连接前景输入、背景输入和遮罩输入用于蒙版或抠像。

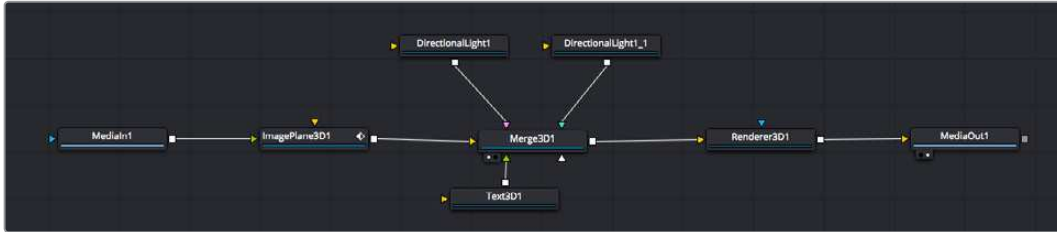


节点上有多个输出意味着单一节点能够连接合成中的许多不同节点, 所以与基于图层的软件不同, 您不需要复制片段。相连节点之间线上的箭头显示了图像数据流动的方向。

在节点编辑器中添加节点

如要添加特效，只需将节点放在“MediaIn”与“MediaOut”节点之间的线上即可。

这一操作可通过多种方式完成。您可以按住SHIFT按钮，把节点放在两个节点之间；或者点击希望添加特效的节点，然后选择想要添加的工具。新节点会自动连接到选定的工具上。您也可以把节点添加到节点窗口中的任何地方，然后将一个节点的输出端拖到另一个节点的输入端，手动完成节点之间的连接。



最常用的工具是2D和3D Merge (合并) 节点。该节点就像一个中枢，它可将节点编辑器上的各个工具合并起来，变成一个单一输出。

合并节点拥有控制选项，可以选择输入的管理方式，包括大小、位置和混合等设置。选定合并节点后，可以在检查器面板里访问这些设置。

节点面板上方的工具栏包含最常用工具的图标，您可以点击这些图标添加节点，或者将工具拖入节点面板。如果您想看到所有可用的工具，可点击左上角的“特效库”，然后扩展“工具”选项。这里的所有工具都按类别排序，并且提供了一组预先创建的“模板”，比如镜头光斑、着色器和背景等。

提示 如果您熟悉工具名称，可以按住键盘上的“SHIFT”，同时按下空格键，“选择工具”菜单就会出现。您在输入工具名称时，菜单会建议相关的工具。这是选择工具的一个非常快速的方法。

使用检查器面板调整节点

您可以使用检查器面板调整节点设置。点击希望修改的节点，面板会更新显示相应的设置和控制。

使用Fusion时，您可以在一个检视器中查看正在修改的节点，同时在另一个检查器中查看该节点在合成画面中的整体效果。例如，您可以修改“Text+”文本节点的大小和中心位置，并同时在检视器中查看该节点和合并节点，这样就可以查看文本与背景的匹配情况。



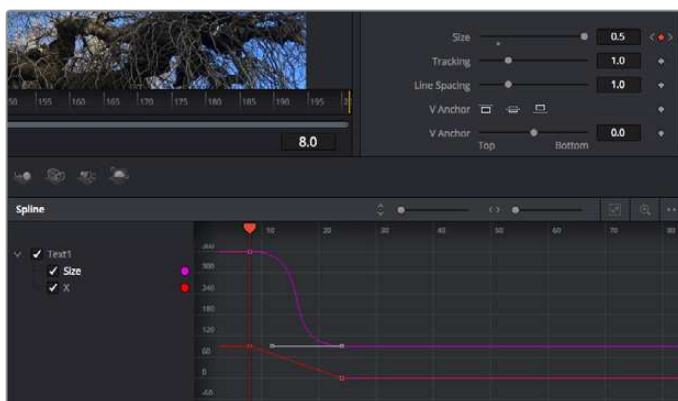
如图所示，被选中的节点会显示红色边框。图中的检查器面板显示的是文本节点的布局选项卡控制。

根据节点任务，您可以调整不同的参数和设置，从调整大小和中心位置，到修改发射器节点的粒子数量。设置关键帧并修改一段时间内的设置就会产生动画效果。

制作关键帧

在检查器窗口中右键点击一项设置，然后在上下文菜单中选择“动画”即可设置关键帧。该项设置右侧的关键帧图标会变红。这代表关键帧已启用，您做的任何修改只会应用于当前帧。当修改另一个帧的设置参数，创建两个或多个关键帧时，帧之间会添加过渡插值。您可以利用关键帧图标两侧的箭头，准确地将播放头移动到时间线上特定的位置。

样条线面板能为您提供更多控制关键帧动画的选项。您可以选择关键帧，比如第一个和最后一个关键帧，按下“SHIFT”+ “s”，或者右键点击关键帧然后选择“平滑度”，即可将这些帧之间的动画平滑处理为一条贝塞尔曲线。



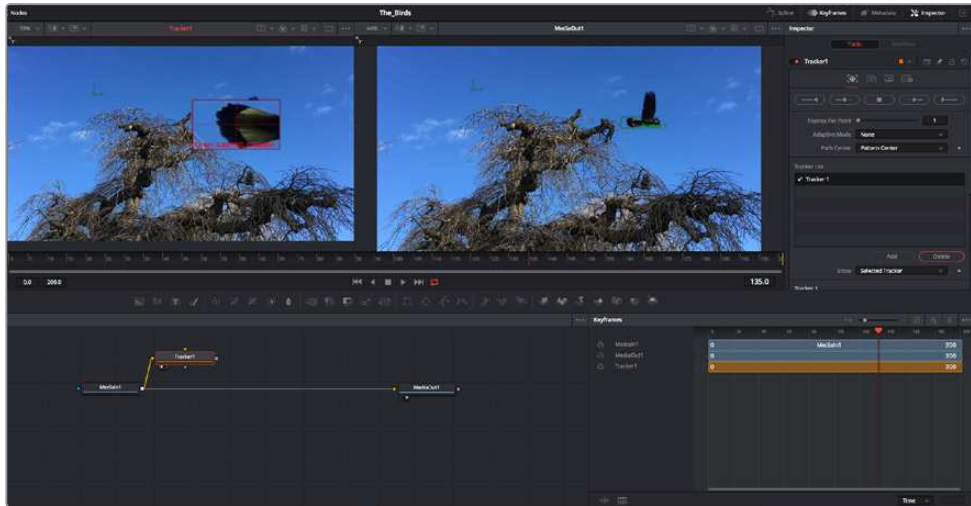
图中的“大小调整”关键帧动画已经被平滑处理为一条贝塞尔曲线。您可以点击贝塞尔手柄，缩短或拉长曲线，或者点击关键帧方块图标移动关键帧位置。

使用动态跟踪器和添加文本工具

为了更好地演示Fusion的使用方法,我们将举例说明如何使用跟踪器工具跟踪片段中的元素,以及如何使用跟踪数据添加文本,并将文本附在元素上。

“跟踪器”工具会在一定时间里跟踪x和y轴上的像素,并且生成数据,您可以用这些数据附加其他元素。当您想要把文本的位置与移动中的物体匹配时,比如在道路上行驶的汽车,或者飞过画面的鸟等,这项功能非常实用。

- 1 在“特效库”中选择“跟踪”工具,然后把它拖到“MediaIn”和“MediaOut”节点之间的线上。然后,点击这个跟踪器节点,在检查器中显示它的属性。
- 2 按键盘数字键“1”,可在左侧检视器中查看跟踪器节点。相应检视器中会显示带有跟踪器的片段,并且跟踪器位于默认位置。将鼠标指针悬停在跟踪器上方可显示出跟踪器控制柄。点击左上角的跟踪器控制柄,将跟踪器拖到片段中相应的AOI区域。高对比度的区域效果很好,例如汽车引擎盖上的标志。跟踪器会放大图像区域以获得更高的精确度。
- 3 到检查器窗口中,点击“正向跟踪”按钮开始跟踪。跟踪完成后会显示通知窗口。点击“OK”确定。

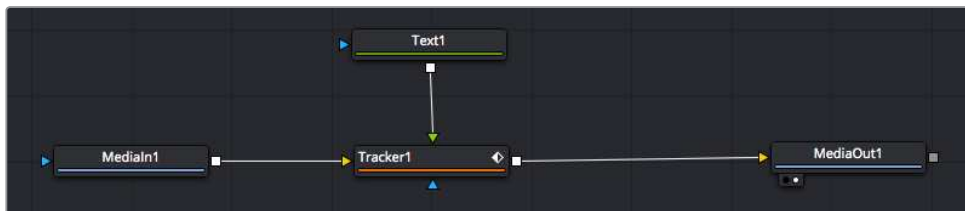


检查器面板中设有跟踪选项,其中包括从尾帧或当前帧反向跟踪,停止跟踪,从当前帧或首帧正向跟踪。

提示 当您的AOI区域从渲染范围消失时,比如汽车或鸟离开画面,从当前帧反向跟踪或正向跟踪就非常实用。这项功能可以只跟踪相关的影像。

现在,您就可以利用跟踪数据,将动态路径应用到文本工具上。

- 4 点击常用节点工具栏中的“Text+”文本节点图标,将其拖入跟踪器节点旁边的节点面板。将“Text+”节点的输出方块与跟踪器上的绿色前景输入端连接起来。



5 点击跟踪器节点，按数字键“1”，即可在左侧的检视器中看到合并结果。在跟踪器节点的检查器面板中点击“Operations”（操作）选项卡。把鼠标指针悬停在选项卡上方就能看到相应名称。点击“Operations”旁边的下拉菜单，然后选择“Match Move”（动作匹配）。

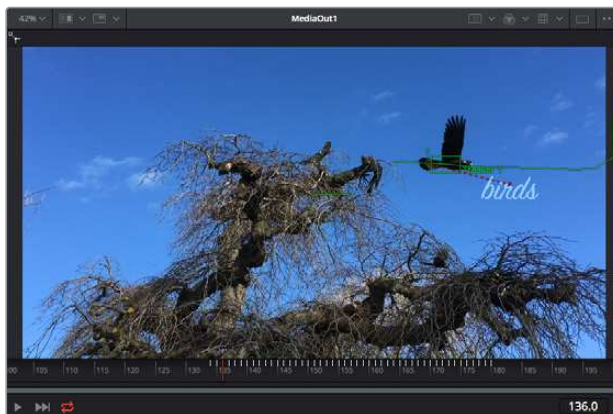
6 点击“Text”文本节点可在检查器中显示属性。在文本框中输入文本，按照合成要求修改字体、颜色和大小。

来自跟踪器的跟踪位置数据将被应用于您的文本。如果您希望调整文本的位置偏移，点击检查器面板中的“Trackers”（跟踪器）选项卡，然后用x和y偏移旋钮修改位置。



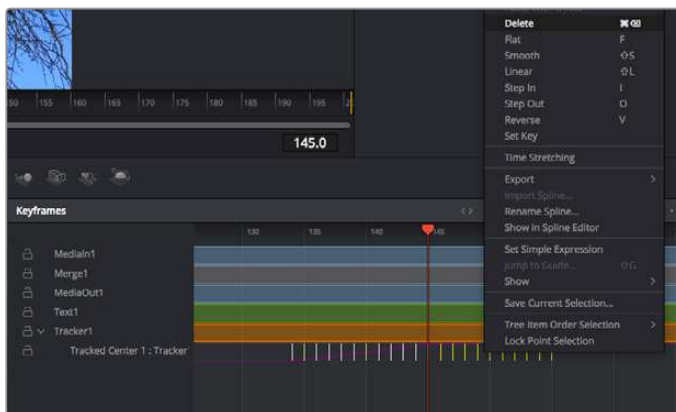
跟踪器检查器面板底部的旋钮可用于调整文本的偏移位置。

现在，您播放合成画面时，就能查看到附加在被跟踪物体上的文本了！



绿色方框代表当前跟踪器在绿色路径上的位置，红色虚线代表对文本进行动画处理所使用的位置偏移。

对于一些镜头，您可能需要在跟踪后删除跟踪点，比如当所跟踪的物体从屏幕上消失的时候。关键帧编辑器让这个流程变得非常简单。



- 7 点击检查器上方的关键帧选项卡, 打开关键帧编辑器。应用了关键帧的节点在节点标签旁会有一个小箭头, 只有添加了关键帧的参数才会在下方列表显示。点击放大图标, 将方框拖到您希望编辑的区域。方框会放大选定的区域, 方便您查看关键帧。
- 8 将播放头移动到最后一个关键帧的位置。如要删除关键帧, 只需用鼠标在关键帧上拖画一个方框选定该关键帧即可。选定的关键帧会以黄色突出显示。点击右键, 在菜单中选择删除。

提示 如果您的特效对系统要求非常高, 可右键点击播放控制区域调出代理播放等检视器选项, 帮助您在创建合成时获得尽可能高的系统性能。获取完整的播放选项详细信息, 请参阅DaVinci Resolve手册。

现在您就完成了第一套在影像中匹配动态的合成动画文本!

如果您希望跟踪含有平面的画面, 对其进行强化或替换, 可以使用平面跟踪器。跟踪2D平面可用于修改移动画面中的标签和指示牌, 甚至为镜头中的监视器或电视机添加画面。

获取更多关于平面跟踪器和DaVinci Resolve Fusion页面中许多强大工具的信息, 请参阅DaVinci Resolve手册。

提示 当您在Fusion页面创建视觉特效时, 请务必注意所创建的是2D特效还是3D特效, 因为这将决定所需合并工具的种类。您可能经常需要在一个合成中融入2D和3D特效。在这种情况下, 请记住任何使用3D空间创建的视觉特效必须被渲染成2D图像, 才能合并进2D合成。

我们相信您将从使用Fusion、探索Fusion的各种视觉特效和强大的DaVinci Resolve剪辑、调色及Fairlight页面过程中获得许多快乐。DaVinci Resolve强大而丰富的工具集定能助您实现无限创意!

制作母版剪辑

完成剪辑、调色、视觉特效和混音制作之后，下一步就是分享您的作品。您可以使用Quick Export按钮或者菜单选项来输出时间线的制作内容，具体可以作为一个独立文件输出，或者作为一组不同格式输出，您也可以使用交付页面的其他功能。



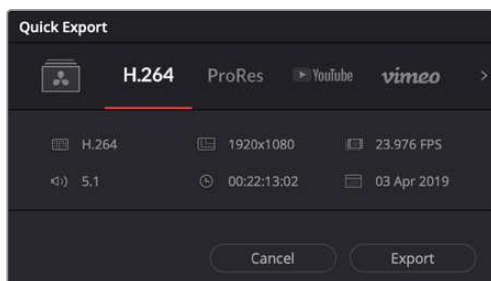
“交付”页面可用于导出您的剪辑。您可以从中选择多种不同的视频格式和编解码器。

快速导出

依次选择“文件”>“快速导出”，使用其中一种导出预设，以便将您的作品从DaVinci Resolve中导出。您还可以使用快速导出功能，将您的作品导出并上传到支持的视频分享平台，比如YouTube、Vimeo以及Frame.io。

快速导出步骤如下：

- 1 使用剪辑、Fusion或调色页面，在时间线上设置入点和出点（可选），从而在当前作品上选择需要导出的范围部分。如果没有选定时间线入点和出点，则会导出整条时间线。
依次选择“文件”>“快速导出”。
- 2 从快速导出对话框顶部的预设图标中选择一个，然后点击“导出”。
- 3 在导出对话框中选择一个位置，输入文件名，然后点击“保存”。然后会出现一个进度条对话框，显示导出所需时间。



快速导出对话框

交付页面

在这一页面中，您可以选择想要导出的片段范围，以及片段格式、编码和分辨率。片段可以多种不同格式导出，比如使用8bit或10bit无压缩RGB/YUV、ProRes、DNxHD、H.264等编解码格式导出QuickTime、AVI、MXF和DPX等文件。

如何导出剪辑的单个片段：

- 1 点击“交付”选项卡打开交付页面。
- 2 找到该页面左上角的“渲染设置”窗口。您可以选择多种导出预设，例如YouTube、Vimeo以及各类音频预设，或者也可以将该设置保留在其默认的“自定义”预设方案，再输入相应的参数来手动设定您自己的导出设置。在这个例子中，选择YouTube，然后点击该预设一侧的箭头图标，并选择1080p视频格式。
帧率将根据您的项目帧率设置而定。
- 3 您可以在每个预设下方查看到时间线文件名以及导出视频的目标位置。点击“浏览”按钮，选择导出文件的保存位置，然后从渲染选项中选择“单个片段”。
- 4 然后，您马上就会看到时间线上方出现选项框，并且“整条时间线”选项被选中。这样就会导出整条时间线，但是您可以根据需要选择一段时间线范围。要进行这一操作，只需要选择入范围和出范围，并使用“i”和“o”热键在时间线上选择入点和出点即可。
- 5 点击“渲染设置”底部的“添加到渲染队列”按钮。
您的渲染设置将被添加到页面右侧的渲染队列中。现在，您只需要点击“开始渲染”并监看渲染队列中的渲染进度即可。

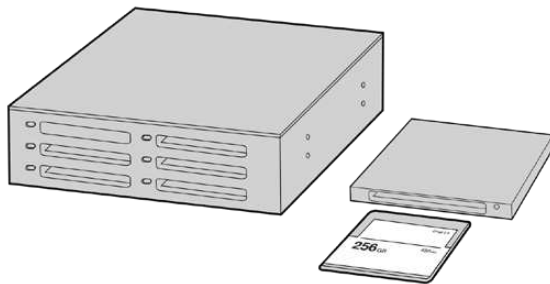
当渲染工作完成后，您可以打开目标文件夹，双击新的渲染片段来查看完成后的剪辑片段。

对剪辑、调色、混音和视觉特效有了基本了解之后，就可以开始体验DaVinci Resolve了。更多关于如何充分利用每项功能完成令人满意的项目，请查阅DaVinci Resolve操作手册。

使用第三方软件

将来自摄影机的素材片段复制到外接硬盘或者RAID上, 再将素材导入DaVinci Resolve等编辑软件中, 便可使用自己喜爱的软件来剪辑素材。您还可以为CFast或SD卡使用硬盘座或转接器, 或者通过USB-C端口连接USB-C硬盘, 直接导入来自存储介质的片段。

处理CFast 2.0卡和SD卡上的文件



从摄影机上取下CFast或SD卡, 并使用CFast 2.0读写设备或CFast驱动器将其挂载到您的计算机上, 就可直接在您的CFast卡上编辑。

从CFast 2.0卡或SD卡上导入您的素材片段步骤如下:

- 1 从您的Blackmagic Pocket Cinema Camera摄影机上取出CFast或SD卡。
使用CFast 2.0读卡器或SD卡和CFast读卡器, 将CFast或SD卡挂载到Mac或Windows计算机上。
- 2 双击打开CFast或SD卡, 您应该能看到一些列文件夹, 这些文件夹中包含有Blackmagic RAW图像文件或QuickTime电影文件的列表。根据您的选择的记录格式, 您可能会看到不同格式的文件, 但是它们应该都使用相同的文件命名格式。
- 3 现在您只需选中要从CFast或SD卡导入的文件, 拖动到桌面或者其他存储盘中即可, 或者使用剪辑软件直接从CFast或SD卡中读取文件。
- 4 从计算机上拔出CFast或SD卡之前, 请务必先在macOS或Windows计算机上安全弹出CFast卡或SD卡。如果在未执行弹出操作的情况下直接移除存储卡, 就可能会损坏素材文件。

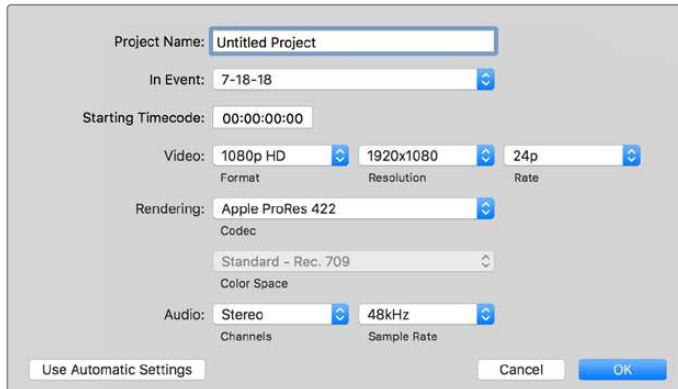
处理USB-C硬盘上的文件

如何从USB-C硬盘上导入素材片段:

- 1 从您的摄影机上拔出USB-C硬盘。
- 2 通过计算机上的USB-C端口将USB-C硬盘挂载到Mac或Windows计算机上。推荐使用USB 3.0, 因为USB 2.0对于实时剪辑视频来说速度可能不够快。
- 3 双击打开USB-C硬盘后, 您会看到包含QuickTime影片文件或Blackmagic RAW文件的一个列表。根据您的选择的记录格式, 您可能会看到不同格式的文件, 但是它们应该都使用相同的文件命名格式。
- 4 选中需要从USB-C硬盘导入的文件, 拖动到桌面或者其他存储盘中, 或使用NLE软件直接从USB-C硬盘中读取文件即可。
- 5 从计算机上拔出USB-C硬盘之前, 请务必先将USB-C硬盘安全弹出。

使用Final Cut Pro X

若使用Final Cut Pro X剪辑片段, 您需要创建一个具有合适视频格式及帧率的新项目。这个例子中使用的是ProRes 422 HQ 1080p24。



Final Cut Pro X项目设置

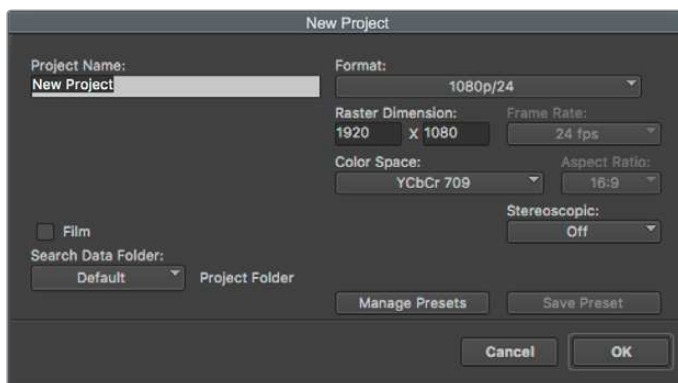
- 1 运行Final Cut Pro X, 到“Menu” (菜单) 中选择“File” (文件) / “New Project” (新项目) 后, 会出现一个项目设置窗口。
- 2 给项目命名, 并选择“Custom” (自定义) 复选框。
- 3 将“Video Properties” (视频属性) 设置为1080p HD, 1920x1080和24p。
- 4 将“Audio” (音频) 和“Render Properties” (渲染属性) 设置为“Stereo” (立体声), “48kHz”, 和“Apple ProRes 422 HQ”。
- 5 点击“OK”确定。

若要将素材导入项目中, 需到菜单栏中选择“File” (文件) / “Import” (导入) / “Media” (媒体), 然后从CFast卡中选择要导入的素材。

现在可以将素材拖动到时间线上进行剪辑了。

使用Avid Media Composer 2018

若使用Avid Media Composer 2018剪辑素材, 您需要创建一个合适视频格式及帧率的新项目。本例子中的素材均使用1080p24的设置。



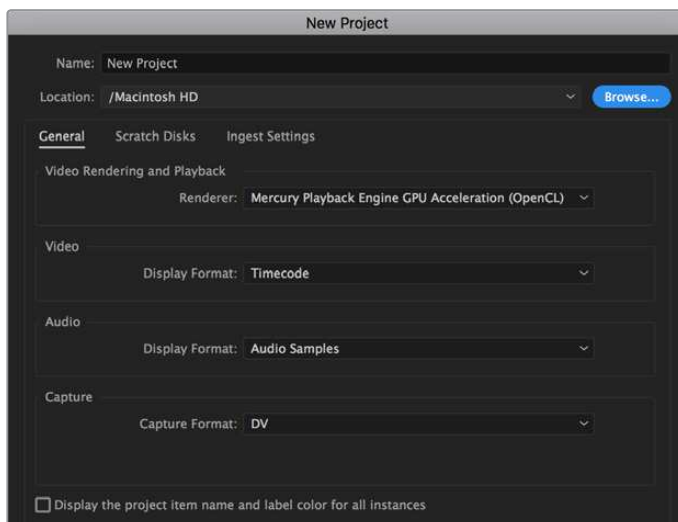
在Avid Media Composer 2018上设置项目名称和项目选项

- 1 运行Avid Media Composer 2018, 当“Select Project” (选择项目) 的窗口弹出时,
- 2 点击“New Project” (新建项目) 按钮, 并且在该窗口中为项目命名。
- 3 到“Format” (格式) 下拉菜单中选择HD 1080 > 1080p/24并点击“OK”创建项目。
- 4 到“Select Project” (选择项目) 中双击该项目将其打开。
- 5 依次选择“File” (文件) > “Input” (输入) > “Source Browser” (源浏览器) 并导航到您想要导入的文件。
- 6 从下拉菜单中选择“Target Bin” (目标库) 并点击“Import” (导入) 。

当媒体库中显示出素材片段后, 您便可以将素材拖动到时间线上进行剪辑了。

使用Adobe Premiere Pro CC

若使用Adobe Premiere Pro CC剪辑Apple ProRes 422 HQ素材, 您需要创建一个具有合适视频格式及帧率的新项目。本例子中的素材均使用ProRes 422 HQ 1080p25设置。



在Adobe Premiere Pro CC上设置项目名称和项目选项

- 1 运行Adobe Premiere Pro CC。在“Welcome”欢迎窗口中, 选择“New Project” (新建项目)。然后会出现一个项目设置窗口。
- 2 为项目命名。点击“Browse” (浏览) 选择安装项目的文件夹, 选择了文件夹之后, 点击“新建项目”窗口中的“OK”确定。
- 3 到Adobe Premiere Pro CC的菜单栏, 选择“File” (文件) / “Import” (导入), 然后选择想要剪辑的素材。然后您的素材便会在项目窗口中显示出来。
- 4 将您需要剪辑的第一段素材拖动到位于项目窗口右下角的“New Item” (新建项) 图标上后, 就会建立一段和您的视频设置相符的新序列。

现在可以将素材拖动到序列时间线上进行剪辑了。

Blackmagic Camera Setup Utility实用软件

更新摄影机软件 – Mac

下载了Blackmagic Camera Setup Utility实用软件并解压缩后, 请打开下载磁盘图标查看Blackmagic Camera Setup安装程序。

运行安装程序, 根据屏幕提示完成安装。完成安装程序后, 进入实用程序文件夹, 打开“Blackmagic Cameras”文件夹, 里面含有本手册、Blackmagic Camera Setup Utility实用软件以及一个含有自述文件和相关信息的文件夹。同时还包含一个卸载程序可用于升级到Blackmagic Camera Setup较新版本。



更新摄影机软件 – Windows

下载了Blackmagic Camera Setup Utility实用软件并解压缩后, 您会看到一个名为“Blackmagic Camera Setup”的文件夹, 该文件夹中含有PDF版操作手册以及Blackmagic Camera Setup安装程序。双击该安装程序, 并根据屏幕提示完成安装。

在Windows 10系统下点击开始按钮并选择“所有程序”。向下滚动到Blackmagic Design文件夹。从这里运行Blackmagic Camera Setup软件。

在Windows 8.1系统下, 选择“开始”屏幕的向下箭头图标, 并向下滚动到Blackmagic Design文件夹。从这里运行Blackmagic Camera Setup软件。

升级摄影机的内部软件

在计算机上安装了最新版Blackmagic Camera Setup Utility实用软件后, 请使用USB-C线缆连接计算机和摄影机。

USB-C端口位于左侧面板。只需打开橡胶盖便可找到端口。

运行Blackmagic Camera Setup Utility实用软件, 并根据屏幕提示更新摄影机软件。

建议使用的记录存储介质

CFast 2.0卡

Pocket Cinema Camera 6K机型建议使用的存储介质

建议在Pocket Cinema Camera 6K机型使用以下几款CFast 2.0卡记录最高50fps的6K Blackmagic RAW 5:1影像:

品牌	存储卡名称	容量
Angelbird	AV PRO CF XT	512GB
CinediskPro	510MB/s CFast 2.0	256GB
Hagiwara Solutions	DC-SMAN64GA CFast 2.0	64GB
Hagiwara Solutions	DC-SMANA1GA CFast 2.0	128GB
KomputerBay	3400x CFast 2.0	64GB
KomputerBay	3400x CFast 2.0	128GB
Lexar	Professional 3400X CFast 2.0	128GB
Lexar	Professional 3500X CFast 2.0	128GB
ProGrade Digital	510MB/s CFast 2.0	128GB
ProGrade Digital	550MB/s CFast 2.0	256GB
ProGrade Digital	550MB/s CFast 2.0	512GB
Transcend	CFX650 CFast 2.0 TS128GCFX650	128GB
SanDisk	Extreme Pro CFast 2.0 SDCFSP-64G-x46D	64GB
SanDisk	Extreme Pro CFast 2.0 SDCFSP-128G-x46D	128GB
SanDisk	Extreme Pro CFast 2.0 SDCFSP-256G-x46D	256GB
SanDisk	Extreme Pro CFast 2.0 SDCFSP-512G-x46D	512GB
Silicon Power	CFX310 CFast 2.0	512GB
Sony	CFast 2.0 G Series CAT-G64	64GB
Sony	CFast 2.0 G Series CAT-G128	128GB
Wise	CFA-2560 3400x CFast 2.0	256GB
Wise	CFA-5120 3500x CFast 2.0	512GB
Wise	CFA-10240 3500X CFast 2.0	1TB

建议在Pocket Cinema Camera 6K机型使用以下几款CFast 2.0卡记录最高60fps的6K 2.4:1 Blackmagic RAW 5:1影像:

品牌	存储卡名称	容量
Angelbird	AV PRO CF XT	512GB
CinediskPro	510MB/s CFast 2.0	256GB
Hagiwara Solutions	DC-SMAN64GA CFast 2.0	64GB

品牌	存储卡名称	容量
Hagiwara Solutions	DC-SMANA1GA CFast 2.0	128GB
KomputerBay	3400x CFast 2.0	64GB
KomputerBay	3400x CFast 2.0	128GB
Lexar	Professional 3400X CFast 2.0	128GB
Lexar	Professional 3500X CFast 2.0	128GB
ProGrade Digital	510MB/s CFast 2.0	128GB
ProGrade Digital	550MB/s CFast 2.0	256GB
ProGrade Digital	550MB/s CFast 2.0	512GB
Transcend	CFX650 CFast 2.0 TS128GCFX650	128GB
SanDisk	Extreme Pro CFast 2.0 SDCFSP-64G-x46D	64GB
SanDisk	Extreme Pro CFast 2.0 SDCFSP-128G-x46D	128GB
SanDisk	Extreme Pro CFast 2.0 SDCFSP-256G-x46D	256GB
SanDisk	Extreme Pro CFast 2.0 SDCFSP-512G-x46D	512GB
Silicon Power	CFX310 CFast 2.0	256GB
Silicon Power	CFX310 CFast 2.0	512GB
Sony	CFast 2.0 G Series CAT-G64	64GB
Sony	CFast 2.0 G Series CAT-G128	128GB
Wise	CFA-1280 3400x CFast 2.0	128GB
Wise	CFA-2560 3400x CFast 2.0	256GB
Wise	CFA-5120 3500x CFast 2.0	512GB
Wise	CFA-10240 3500X CFast 2.0	1TB

建议在Pocket Cinema Camera 6K机型使用以下几款CFast 2.0卡记录最高120fps的2.8K 17:9 Blackmagic RAW 3:1影像:

品牌	存储卡名称	容量
Angelbird	AV PRO CF XT	512GB
CinediskPro	510MB/s CFast 2.0	256GB
Hagiwara Solutions	DC-SMAN64GA CFast 2.0	64GB
Hagiwara Solutions	DC-SMANA1GA CFast 2.0	128GB
KomputerBay	3400x CFast 2.0	64GB
KomputerBay	3400x CFast 2.0	128GB
Lexar	Professional 3400X CFast 2.0	128GB
Lexar	Professional 3500X CFast 2.0	128GB
Lexar	Professional 3400X CFast 2.0	256GB
ProGrade Digital	510MB/s CFast 2.0	128GB
ProGrade Digital	550MB/s CFast 2.0	256GB

品牌	存储卡名称	容量
ProGrade Digital	550MB/s CFast 2.0	512GB
Transcend	CFX650 CFast 2.0 TS128GCFX650	128GB
SanDisk	Extreme Pro CFast 2.0 SDCFSP-64G-x46D	64GB
SanDisk	Extreme Pro CFast 2.0 SDCFSP-128G-x46D	128GB
SanDisk	Extreme Pro CFast 2.0 SDCFSP-256G-x46D	256GB
SanDisk	Extreme Pro CFast 2.0 SDCFSP-512G-x46D	512GB
Silicon Power	CFX310 CFast 2.0	256GB
Silicon Power	CFX310 CFast 2.0	512GB
Sony	CFast 2.0 G Series CAT-G64	64GB
Sony	CFast 2.0 G Series CAT-G128	128GB
Wise	CFA-1280 3400x CFast 2.0	128GB
Wise	CFA-2560 3400x CFast 2.0	256GB
Wise	CFA-5120 3500x CFast 2.0	512GB
Wise	CFA-10240 3500X CFast 2.0	1TB

建议在Pocket Cinema Camera 6K机型使用以下几款CFast 2.0卡记录最高60fps的4K DCI ProRes HQ影像:

品牌	存储卡名称	容量
Angelbird	AV PRO CF XT	512GB
CinediskPro	510MB/s CFast 2.0	256GB
Hagiwara Solutions	DC-SMAN64GA CFast 2.0	64GB
Hagiwara Solutions	DC-SMANA1GA CFast 2.0	128GB
KomputerBay	3400x CFast 2.0	64GB
KomputerBay	3400x CFast 2.0	128GB
Lexar	Professional 3400X CFast 2.0	128GB
Lexar	Professional 3500X CFast 2.0	128GB
Lexar	Professional 3400X CFast 2.0	256GB
ProGrade Digital	510MB/s CFast 2.0	128GB
ProGrade Digital	550MB/s CFast 2.0	256GB
ProGrade Digital	550MB/s CFast 2.0	512GB
Transcend	CFX650 CFast 2.0 TS128GCFX650	128GB
SanDisk	Extreme Pro CFast 2.0 SDCFSP-64G-x46D	64GB
SanDisk	Extreme Pro CFast 2.0 SDCFSP-128G-x46D	128GB
SanDisk	Extreme Pro CFast 2.0 SDCFSP-256G-x46D	256GB
SanDisk	Extreme Pro CFast 2.0 SDCFSP-512G-x46D	512GB
Silicon Power	CFX310 CFast 2.0	256GB

品牌	存储卡名称	容量
Silicon Power	CFX310 CFast 2.0	512GB
Sony	CFast 2.0 G Series CAT-G64	64GB
Sony	CFast 2.0 G Series CAT-G128	128GB
Wise	CFA-1280 3400x CFast 2.0	128GB
Wise	CFA-2560 3400x CFast 2.0	256GB
Wise	CFA-5120 3500x CFast 2.0	512GB
Wise	CFA-10240 3500X CFast 2.0	1TB

建议在Pocket Cinema Camera 6K机型使用以下几款CFast 2.0卡记录最高120fps的1080 ProRes 422 HQ影像:

品牌	存储卡名称	容量
Angelbird	AV PRO CF XT	512GB
CinediskPro	510MB/s CFast 2.0	256GB
Hagiwara Solutions	DC-SMAN64GA CFast 2.0	64GB
Hagiwara Solutions	DC-SMANA1GA CFast 2.0	128GB
KomputerBay	3400x CFast 2.0	64GB
KomputerBay	3400x CFast 2.0	128GB
Lexar	Professional 3400X CFast 2.0	128GB
Lexar	Professional 3500X CFast 2.0	128GB
Lexar	Professional 3400X CFast 2.0	256GB
ProGrade Digital	510MB/s CFast 2.0	128GB
ProGrade Digital	550MB/s CFast 2.0	256GB
ProGrade Digital	550MB/s CFast 2.0	512GB
Transcend	CFX650 CFast 2.0 TS128GCFX650	128GB
SanDisk	Extreme Pro CFast 2.0 SDCFSP-64G-x46D	64GB
SanDisk	Extreme Pro CFast 2.0 SDCFSP-128G-x46D	128GB
SanDisk	Extreme Pro CFast 2.0 SDCFSP-256G-x46D	256GB
SanDisk	Extreme Pro CFast 2.0 SDCFSP-512G-x46D	512GB
Silicon Power	CFX310 CFast 2.0	256GB
Silicon Power	CFX310 CFast 2.0	512GB
Sony	CFast 2.0 G Series CAT-G64	64GB
Sony	CFast 2.0 G Series CAT-G128	128GB
Wise	CFA-1280 3400x CFast 2.0	128GB
Wise	CFA-2560 3400x CFast 2.0	256GB
Wise	CFA-5120 3500x CFast 2.0	512GB
Wise	CFA-10240 3500X CFast 2.0	1TB

Pocket Cinema Camera 4K机型建议使用的存储介质

建议在Pocket Cinema Camera 4K机型使用以下几款CFast 2.0卡记录最高60fps的4K DCI Blackmagic RAW 3:1影像:

品牌	存储卡名称	容量
Angelbird	AV PRO CF	512GB
Angelbird	AV PRO CF	1TB
CinediskPro	510MB/s CFast 2.0	256GB
Hagiwara Solutions	DC-SMAN64GA CFast 2.0	64GB
Hagiwara Solutions	DC-SMANA1GA CFast 2.0	128GB
KomputerBay	3400x CFast 2.0	64GB
KomputerBay	3400x CFast 2.0	128GB
KomputerBay	3700x CFast 2.0	256GB
Lexar	Professional 3400x CFast 2.0	128GB
Lexar	Professional 3500x CFast 2.0	256GB
ProGrade Digital	550MB/s CFast 2.0	128GB
ProGrade Digital	550MB/s CFast 2.0	256GB
ProGrade Digital	550MB/s CFast 2.0	512GB
SanDisk	Extreme Pro CFast 2.0 SDCFSP-256G-x46D	512GB
Wise	CFA-1280 3400x CFast 2.0	128GB
Wise	CFA-2560 3400x CFast 2.0	256GB
Wise	CFA-5120 3500x CFast 2.0	512GB
Wise	CFA-10240 3500x CFast 2.0	1TB

建议在Pocket Cinema Camera 4K机型使用以下几款CFast 2.0卡记录最高60fps的4K DCI ProRes HQ影像:

品牌	存储卡名称	容量
Angelbird	AV PRO CF	128GB
Angelbird	AV PRO CF	256GB
Angelbird	AV PRO CF	512GB
CinediskPro	510MB/s CFast 2.0	256GB
Hagiwara Solutions	DC-SMAN64GA CFast 2.0	64GB
Hagiwara Solutions	DC-SMANA1GA CFast 2.0	128GB
KomputerBay	3400x CFast 2.0	128GB
KomputerBay	3700x CFast 2.0	256GB
ProGrade Digital	550MB/s CFast 2.0	256GB
ProGrade Digital	550MB/s CFast 2.0	512GB
SanDisk	Extreme Pro CFast 2.0 SDCFSP-64G-x46D	64GB

品牌	存储卡名称	容量
SanDisk	Extreme Pro CFast 2.0 SDCFSP-128G-x46D	128GB
SanDisk	Extreme Pro CFast 2.0 SDCFSP-256G-x46D	256GB
Sony	CFast 2.0 G Series CAT-G64	64GB
Sony	CFast 2.0 G Series CAT-G128	128GB
Wise	CFA-1280 3400x CFast 2.0	128GB
Wise	CFA-2560 3400x CFast 2.0	256GB
Wise	CFA-5120 3500x CFast 2.0	512GB
Wise	CFA-10240 3500x CFast 2.0	1TB

建议在Blackmagic Pocket Cinema Camera 4K机型使用以下几款CFast 2.0卡记录最高30fps的4K DCI无损RAW影像:

品牌	存储卡名称	容量
Angelbird	AV PRO CF	128GB
Angelbird	AV PRO CF	256GB
Angelbird	AV PRO CF	512GB
CinediskPro	510MB/s CFast 2.0	256GB
KomputerBay	3400x CFast 2.0	128GB
ProGrade Digital	550MB/s CFast 2.0	256GB
ProGrade Digital	550MB/s CFast 2.0	512GB
SanDisk	Extreme Pro CFast 2.0 SDCFSP-64G-x46D	64GB
SanDisk	Extreme Pro CFast 2.0 SDCFSP-128G-x46D	128GB
SanDisk	Extreme Pro CFast 2.0 SDCFSP-256G-x46D	256GB
Sony	CFast 2.0 G Series CAT-G64	64GB
Sony	CFast 2.0 G Series CAT-G128	128GB
Wise	CFA-1280 3400x CFast 2.0	128GB
Wise	CFA-2560 3400x CFast 2.0	256GB
Wise	CFA-5120 3500x CFast 2.0	512GB

建议在Blackmagic Pocket Cinema Camera 4K机型使用以下几款CFast 2.0卡记录最高60fps的4K DCI 3:1 RAW影像:

品牌	存储卡名称	容量
Angelbird	AV PRO CF	128GB
Angelbird	AV PRO CF	256GB
Angelbird	AV PRO CF	512GB
CinediskPro	510MB/s CFast 2.0	256GB
KomputerBay	3400x CFast 2.0	128GB

品牌	存储卡名称	容量
ProGrade Digital	550MB/s CFast 2.0	256GB
ProGrade Digital	550MB/s CFast 2.0	512GB
SanDisk	Extreme Pro CFast 2.0 SDCFSP-64G-x46D	64GB
SanDisk	Extreme Pro CFast 2.0 SDCFSP-128G-x46D	128GB
SanDisk	Extreme Pro CFast 2.0 SDCFSP-256G-x46D	256GB
Sony	CFast 2.0 G Series CAT-G64	64GB
Sony	CFast 2.0 G Series CAT-G128	128GB
Wise	CFA-1280 3400x CFast 2.0	128GB
Wise	CFA-2560 3400x CFast 2.0	256GB
Wise	CFA-5120 3500x CFast 2.0	512GB

SD卡

Pocket Cinema Camera 6K机型建议使用的存储介质

建议在Pocket Cinema Camera 6K机型使用以下几款SD卡记录最高30fps的6K 16:9 Blackmagic RAW 5:1影像:

品牌	存储卡名称	容量
Angelbird	AV PRO SD V90	64GB
Sony	Tough SF-G32T	32GB
Sony	Tough SF-G64T	64GB
Sony	Tough SF-G128T	128GB
Toshiba	Exceria Pro UHS-II 270MB/s SDXC	64GB
Wise	SD2-128U3 SDXC UHS-II	128GB

建议在Pocket Cinema Camera 6K机型使用以下几款SD卡记录最高30fps的6K 16:9 Blackmagic RAW 8:1影像:

品牌	存储卡名称	容量
Angelbird	AV PRO SD V90	64GB
Sony	Tough SF-G32T	32GB
Sony	Tough SF-G64T	64GB
Sony	Tough SF-G128T	128GB
Toshiba	Exceria Pro UHS-II 270MB/s SDXC	64GB
Toshiba	Exceria Pro UHS-II 270MB/s SDXC	128GB
Toshiba	Exceria Pro UHS-II N502 SDXC	128GB
Wise	SD2-128U3 SDXC UHS-II	128GB

建议在Pocket Cinema Camera 6K机型使用以下几款SD卡记录最高60fps的6K 2.4:1 Blackmagic RAW 12:1影像:

品牌	存储卡名称	容量
Angelbird	AV PRO SD V90	64GB
Sony	Tough SF-G32T	32GB
Sony	Tough SF-G64T	64GB
Sony	Tough SF-G128T	128GB
Toshiba	Exceria Pro UHS-II 270MB/s SDXC	64GB
Toshiba	Exceria Pro UHS-II 270MB/s SDXC	128GB
Toshiba	Exceria Pro UHS-II N502 SDXC	128GB

建议在Pocket Cinema Camera 6K机型使用以下几款SD卡记录最高60fps的4K DCI ProRes HQ影像:

品牌	存储卡名称	容量
Angelbird	AV PRO SD V90	64GB
Delkin Devices	Power SDXC UHS-II	64GB
Delkin Devices	Prime SDXC UHS-II	128GB
ProGrade Digital	V90 UHS-II 250MB/s SDXC	128GB
ProGrade Digital	V90 UHS-II 250MB/s SDXC	256GB
Sony	Tough SF-G32T	32GB
Sony	Tough SF-G64T	64GB
Sony	Tough SF-G128T	128GB
Wise	SD2-64U3 SDXC UHS-II	64GB
Wise	SD2-128U3 SDXC UHS-II	128GB
Toshiba	Exceria Pro UHS-II N502 SDXC	128GB

建议在Pocket Cinema Camera 6K机型使用以下几款SD卡记录最高120fps的1080 ProRes 422 HQ影像:

品牌	存储卡名称	容量
Angelbird	AV PRO SD V90	64GB
Delkin Devices	Power SDXC UHS-II	64GB
Delkin Devices	Prime SDXC UHS-II	128GB
Lexar	Professional 2000x UHS-II 300MB/s SDXC	64GB
Lexar	Professional 2000x UHS-II 300MB/s SDXC	128GB
ProGrade Digital	V90 UHS-II 250MB/s SDXC	256GB
Sony	Tough SF-G32T	32GB
Sony	Tough SF-G64T	64GB
Sony	Tough SF-G128T	128GB

品牌	存储卡名称	容量
Toshiba	Exceria Pro UHS-II 270MB/s SDXC	64GB
Toshiba	Exceria Pro UHS-II 270MB/s SDXC	128GB
Toshiba	Exceria Pro UHS-II N502 SDXC	128GB
Toshiba	Exceria Pro UHS-II N502 SDXC	256GB
Wise	SD2-64U3 SDXC UHS-II	64GB
Wise	SD2-128U3 SDXC UHS-II	128GB

Pocket Cinema Camera 4K机型建议使用的存储介质

建议在Pocket Cinema Camera 4K机型使用以下几款SD卡记录最高30fps的4K DCI Blackmagic RAW 12:1影像:

品牌	存储卡名称	容量
Angelbird	AV PRO SD V90	64GB
Delkin Devices	Power UHS-II SDXC	64GB
Delkin Devices	Power UHS-II SDXC	128GB
Lexar	Professional 2000x UHS-II 300MB/s SDXC	64GB
ProGrade Digital	V90 UHS-II 250MB/s SDXC	256GB
SanDisk	Extreme Pro UHS-I 95MB/s SDXC	512GB
Sony	Tough SF-G64T	64GB
Sony	Tough SF-G128T	128GB
Sony	SF-G64 300MB/s UHS-II SDXC	64GB
Toshiba	Exceria Pro UHS-II N502 SDHC	32GB
Toshiba	Exceria Pro UHS-II 270MB/s SDXC	64GB
Wise	SD2-64U3 SDXC UHS-II	64GB
Wise	SD2-128U3 SDXC UHS-II	128GB
Wise	SD2-128U3 SDXC UHS-II	128GB

建议在Pocket Cinema Camera 4K机型使用以下几款SD卡记录最高60fps的4K DCI ProRes HQ影像:

品牌	存储卡名称	容量
Wise	SD2-64U3 SDXC UHS-II	64GB
Wise	SD2-128U3 SDXC UHS-II	128GB
Sony	Tough SF-G64T	64GB
Sony	Tough SF-G128T	128GB

建议在Pocket Cinema Camera 4K机型使用以下几款SD卡记录最高60fps的4K DCI 4:1 RAW影像:

品牌	存储卡名称	容量
Sony	Tough SF-G64T	64GB
Sony	Tough SF-G128T	128GB
Toshiba	Exceria Pro UHS-II N502 SDXC	32GB

建议在Pocket Cinema Camera 4K机型使用以下几款SD卡记录最高24fps的4K DCI无损RAW影像:

品牌	存储卡名称	容量
Wise	SD2-64U3 SDXC UHS-II	64GB
Wise	SD2-128U3 SDXC UHS-II	128GB
Toshiba	Exceria Pro UHS-II N502 SDXC	32GB
Sony	Tough SF-G64T	64GB
Sony	Tough SF-G128T	128GB

建议在Pocket Cinema Camera 4K机型使用以下几款SD卡记录最高60fps的1080p无损RAW影像:

品牌	存储卡名称	容量
Wise	SD2-64U3 SDXC UHS-II	64GB
Wise	SD2-128U3 SDXC UHS-II	128GB
Sony	Tough SF-G64T	64GB
Sony	Tough SF-G128T	128GB
Toshiba	Exceria Pro UHS-II N502 SDXC	32GB
Toshiba	Exceria Pro UHS-II N502 SDXC	64GB
Toshiba	Exceria Pro UHS-II N502 SDXC	128GB
Toshiba	Exceria Pro UHS-II N502 SDXC	256GB
Sony	Tough SF-G128T	128GB

USB-C SSD

Pocket Cinema Camera 6K机型建议使用的存储介质

建议在Pocket Cinema Camera 6K机型使用以下几款USB-C硬盘记录最高50fps的6K Blackmagic RAW 5:1影像:

品牌	存储卡名称	容量
Wise	PTS-1024 Portable SSD	1TB

建议在Pocket Cinema Camera 6K机型使用以下几款USB-C硬盘记录最高60fps的6K 2.4:1 Blackmagic RAW 5:1影像:

品牌	存储卡名称	容量
Samsung	Portable SSD T5	250GB
Samsung	Portable SSD T5	2TB
Wise	PTS-1024 Portable SSD	1TB

建议在Pocket Cinema Camera 6K机型使用以下几款USB-C硬盘记录最高120fps的2.8K 17:9 Blackmagic RAW 3:1影像:

品牌	存储卡名称	容量
Samsung	Portable SSD T5	250GB
Samsung	Portable SSD T5	2TB
Wise	PTS-512 Portable SSD	512GB
Wise	PTS-1024 Portable SSD	1TB

建议在Pocket Cinema Camera 6K机型使用以下几款USB-C硬盘记录最高60fps的4K DCI ProRes HQ影像:

品牌	存储卡名称	容量
Samsung	Portable SSD T5	250GB
Samsung	Portable SSD T5	1TB
Samsung	Portable SSD T5	2TB
SanDisk	Extreme Portable SSD	1TB
Wise	PTS-512 Portable SSD	512GB
Wise	PTS-1024 Portable SSD	1TB
Wise	PTS-1024 Portable SSD	1TB

建议在Pocket Cinema Camera 6K机型使用以下几款USB-C硬盘记录最高120fps的1080 ProRes 422 HQ影像:

品牌	存储卡名称	容量
Samsung	Portable SSD T5	250GB
Samsung	Portable SSD T5	1TB
Samsung	Portable SSD T5	2TB
SanDisk	Extreme Portable SSD	1TB
Wise	PTS-512 Portable SSD	512GB
Wise	PTS-1024 Portable SSD	1TB
Wise	PTS-1024 Portable SSD	1TB

Pocket Cinema Camera 4K机型建议使用的存储介质

建议在Pocket Cinema Camera 4K机型使用以下几款USB-C硬盘记录最高60fps的4K DCI Blackmagic RAW 3:1影像:

品牌	存储卡名称	容量
Angelbird	SSD2GO PKT	512GB
Angelbird	SSD2GO PKT	2TB
G-Technology	G-DRIVE Mobile SSD	1TB
Samsung	Portable SSD T5	2TB
Wise	PTS-512 Portable SSD	512GB

建议在Pocket Cinema Camera 4K机型使用以下几款USB-C硬盘记录最高60fps的4K DCI ProRes HQ影像:

品牌	存储卡名称	容量
Angelbird	SSD2GO PKT	512GB
Angelbird	SSD2GO PKT	2TB
Glyph	Atom	500GB
Lacie	Portable SSD	500GB
Samsung	Portable SSD T5	500GB
Samsung	Portable SSD T5	1TB
SanDisk	Extreme Portable SSD	1TB
Seagate	Fast SSD	250GB
Wise	PTS-256 Portable SSD	256GB
Wise	PTS-512 Portable SSD	512GB
Wise	PTS-1024 Portable SSD	1TB

建议在Pocket Cinema Camera 4K机型使用以下几款USB-C硬盘记录最高30fps的4K DCI无损RAW影像:

品牌	存储卡名称	容量
Angelbird	SSD2GO PKT	512GB
Angelbird	SSD2GO PKT	2TB
Samsung	Portable SSD T5	1TB
Wise	PTS-256 Portable SSD	256GB
Wise	PTS-512 Portable SSD	512GB
Wise	PTS-1024 Portable SSD	1TB

建议在Pocket Cinema Camera 4K机型使用以下几款USB-C硬盘记录最高60fps的4K DCI 3:1 RAW影像:

品牌	存储卡名称	容量
Angelbird	SSD2GO PKT	512GB
Angelbird	SSD2GO PKT	2TB
Samsung	Portable SSD T5	500GB
Samsung	Portable SSD T5	1TB
Wise	PTS-256 Portable SSD	256GB
Wise	PTS-512 Portable SSD	512GB
Wise	PTS-1024 Portable SSD	1TB

帮助

获得帮助最快捷的途径是登陆Blackmagic Design在线支持页面并浏览有关摄影机的最新支持信息和材料。

Blackmagic Design在线支持页面

请登陆Blackmagic Design支持中心www.blackmagicdesign.com/cn/support获得最新版操作手册、软件以及技术答疑文章。

联系Blackmagic Design支持中心

如果我们提供的支持信息无法解答您的疑问, 请到支持页面下点击“给我们发送电子邮件”按钮即可发送技术支持请求。或者, 您也可以点击支持页面下的“查找您所在地区的支持团队”按钮, 致电您所在地区的Blackmagic Design支持中心获得帮助。

查看当前安装的软件版本

要检查您计算机上的Blackmagic Camera Setup Utility软件的版本, 请打开“About Blackmagic Camera Setup Utility”窗口查看。

- 在macOS系统下, 请到“应用程序”文件夹下打开Blackmagic Camera Setup Utility程序。选择程序菜单中的“About Blackmagic Camera Setup Utility”后即可查看版本号。
- 在Windows系统下, 请到开始菜单或开始屏幕下打开Blackmagic Camera Setup Utility程序。点击“Help” (帮助) 菜单并选择“About Blackmagic Camera Setup Utility”程序即可查看版本号。

如何获得软件更新

检查完您计算机上安装的Blackmagic Camera Utility软件版本号之后, 请登录网址www.blackmagicdesign.com/cn/support访问Blackmagic Design支持中心查看最新版本。请及时将软件升级到最新版本, 但切勿在重要项目制作过程中升级软件。

监管告知

在欧盟范围内处置电子垃圾和电子设备的注意事项。



根据产品所附的提示标志，本设备不得与其它废弃材料共同处置。处置废弃设备时，必须交给指定收集点进行回收。对废弃设备进行单独收集并回收能够节省自然资源，且回收方式不会损害环境和人体健康。获取更多关于废弃设备回收点的信息，请联系您所在城市的回收站，或当时购买设备的经销商。

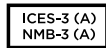


本设备经过测试，符合FCC规则的第15部分对A类数字设备的限制。这些限制旨在为运行于商业环境中的设备提供合理保护，使其免受有害干扰的影响。本设备可生成、使用且辐射射频能量，如果未按照安装手册来安装和使用本设备，则可能导致对无线电通信的有害干扰。在住宅区运行本产品可能会产生有害干扰，在这种情况下将由用户自行承担消除干扰的费用。

必须满足以下条件后方可操作：

- 1 设备不会造成有害干扰。
- 2 设备必须能够承受任何干扰，包括可能导致意外操作的干扰。

加拿大ISED认证声明



本设备符合加拿大A类数码产品的相关标准。

任何对本产品的改装或预期用途之外的使用均可能导致相关标准认证无效。

必须使用有高品质屏蔽的HDMI电缆连接HDMI接口。

本设备经检测符合商业环境使用要求。在家用环境中，本设备可能会造成无线电干扰。

蓝牙®

本产品采用无线蓝牙技术。

包含发射模块FCC ID: QOQBGM113

本设备符合为非受控制环境设定的FCC辐射暴露限制。

包含发射模块IC: 5123A-BGM113

本设备符合加拿大工业部免检RSS标准，并免于RSS-102第5条中规定的日常SAR评估限制。

日本认证，认证编号：209-J00204。本设备中的指定无线电设备已通过《无线电法》技术法规符合性认证。

本设备已获得韩国认证，KC认证编号：MSIP-CRM-BGT-BGM113

Blackmagic Design在此声明，本产品使用2.4 GHz ISM宽频传输系统符合欧盟指令2014/53/EU。

获取完整版欧盟符合性声明，请联系compliance@blackmagicdesign.com。

安全信息

Blackmagic Pocket Cinema Camera适合在环境温度低于40°C的热带地区使用。

设备内部没有操作人员可维护的零件。维修服务请联系当地Blackmagic Design服务中心。

在日照环境下, 应考虑遮盖摄影机来避免摄影机或锂电池长期暴露在日光下。请勿将锂电池靠近任何热源。



当使用本产品所提供的电源适配器时, 仅限在海拔高度2000米以下的地区使用。

加利福尼亚安全声明

该产品可能会让您暴露在塑料部件中所含的微量多溴化联苯等化学物质下, 此类物质已被加州政府认定为可能导致癌症、先天畸形或其他遗传危害的物质。

详情请访问网址www.P65Warnings.ca.gov。

保修

有限保修

Blackmagic Design保证本产品自购买之日起12个月内不会有材料和工艺上的缺陷。若本产品在其保修期内出现质量问题, Blackmagic Design可选择为产品提供免费修理或更换零部件, 或者更换缺陷产品。

为确保消费者有权享受本保修条款中的服务, 如遇产品质量问题请务必在保修期内联系Blackmagic Design并妥善安排保修事宜。消费者应将缺陷产品包装并运送到Blackmagic Design的指定服务中心进行维修, 运费由消费者承担并预先支付。若消费者因任何原因退货, 所有运费、保险费、关税等各项税务以及其他费用均由消费者承担。

本保修条款不适用于任何因使用、维护不当或保养不周造成的缺陷、故障或损坏。根据本保修服务, Blackmagic Design的保修范围不包括以下内容: 1. 对由非Blackmagic Design专门人员进行的安装、维修或保养所造成的损坏进行维修, 2. 对因使用不当或连接到不兼容设备所造成的损坏进行维修, 3. 对因使用了非Blackmagic Design生产的零部件所导致的损坏或故障进行维修, 及 4. 对经过改装或和其他产品进行组装的产品进行保养维修 (因为产品经改装或组装后会增加保养维修所需时间或保养难度)。

本保修条款由BLACKMAGIC DESIGN提供, 它可取代所有其他明示或隐含的保修。BLACKMAGIC DESIGN及其供应商对任何有关适销性及就特定用途的适用性等隐含保证不作任何担保。BLACKMAGIC DESIGN在保修期间负责为消费者提供缺陷产品的维修或更换服务是完整和排他性补救措施。不论BLACKMAGIC DESIGN或其供应商是否事先获悉发生间接、特殊、偶然或必然损坏等损坏的可能性, BLACKMAGIC DESIGN概不负责。若消费者对本设备进行非法使用, BLACKMAGIC DESIGN概不负责。对因使用本产品造成的损失, BLACKMAGIC DESIGN概不负责。本产品的操作风险由用户自行承担。

© 版权所有 2019 Blackmagic Design. 保留一切权利。“Blackmagic Design”、“URSA”、“DeckLink”、“HDLink”、“Workgroup Videohub”、“Multibridge Pro”、“Multibridge Extreme”、“Intensity”以及“Leading the creative video revolution”均为美国及其他国家的注册商标。所有其他公司名称及产品名称可能是其他所有者的注册商标。

“Bluetooth” (蓝牙) 一词, 其商标和徽标为Bluetooth SIG, Inc.公司的注册商标, 且Blackmagic Design对于上述标识的各类用途均获授权。其他商标和名称皆为其各自所有者所有。



설치 및 사용 설명서

Blackmagic Pocket Cinema Camera

Blackmagic Pocket Cinema Camera 6K와
Blackmagic Pocket Cinema Camera 4K 포함

2019년 11월

한국어



환영합니다

Blackmagic Pocket Cinema Camera를 구매해 주셔서 감사합니다.

2013년 Blackmagic Pocket Cinema Camera 첫 모델이 출시됐을 때 높은 다이내믹 레인지와 획기적인 영상 화질을 제공하고 휴대가 간편한 소형 카메라를 제작하게 되어 매우 기뻐했습니다. 사용자들이 보내주신 훌륭한 피드백과 4K 버전 요청에 귀 기울인 결과, 2018년 Blackmagic Pocket Cinema Camera 4K를 발표하게 되었으며, 올해는 Blackmagic Pocket Cinema Camera 6K를 새롭게 발표하게 되었습니다.

Blackmagic Pocket Cinema Camera 6K는 슈퍼 35mm 크기의 센서와 EF 렌즈 마운트를 지원합니다. Blackmagic Pocket Cinema Camera 4K에는 기존 Pocket Cinema Camera와 동일한 마이크로 포서드 규격 렌즈 마운트가 탑재되어 있으므로 기존에 사용하던 마이크로 포서드 렌즈를 그대로 사용하실 수 있습니다. Blackmagic Pocket Cinema Camera 4K는 최대 60fps의 4K 영상 및 120fps의 HD 영상을 CFast 또는 UHS-II SD 카드에 녹화할 수 있습니다. Blackmagic Pocket Cinema Camera 6K는 성능이 더욱 확장되어 120fps의 2.8K 영상과 최대 60fps의 6K 영상 녹화를 지원합니다. 또한, USB-C 포트를 통해 외장 드라이브에 녹화할 수 있으므로 카메라에서 드라이브 연결을 해제한 다음, 컴퓨터에 연결하면 파일 워크플로를 바로 사용할 수 있습니다.

13스탑의 다이내믹 레인지와 듀얼 네이티브 ISO는 다양한 조명 환경에서도 깨끗하고 아름다운 시네마틱한 영상을 녹화할 수 있도록 도와주며, 5인치 크기의 LCD 터치스크린을 통해 밝은 곳에서도 초점 및 미세한 디테일을 쉽게 확인하고, 카메라에 탑재된 4개의 마이크로 고음질의 오디오로 녹화할 수 있습니다.

탄소 섬유 강화 재질로 만들어진 Blackmagic Pocket Cinema Camera는 놀라운 내구성과 가벼운 무게감을 자랑하여 어디든 쉽게 휴대할 수 있습니다. 카메라에는 표준 LP-E6 배터리 또는 AC 어댑터, 외장 12V DC 소스를 통해 전원을 공급할 수 있습니다. 또한, 새로운 Blackmagic RAW 코덱이 출시되어 자랑스럽게 생각합니다. 파일 하나로 유연한 RAW 프로세싱이 가능한 이 코덱은 파일 크기를 축소하고 성능은 크게 향상시켰습니다.

새로운 Blackmagic Pocket Cinema Camera로 어떤 창의적인 작품이 탄생될 지 상당히 기대되며, 카메라에 추가를 원하는 신규 기능에 관한 여러분의 의견을 기다리겠습니다.

Blackmagic Design의 CEO

그랜트 패티

목차

Blackmagic Pocket Cinema Camera

카메라 모델별 정보	867	설정	935
시작하기	868	프리셋	944
렌즈 장착하기	868	3D LUT	946
카메라 전원 켜기	869	메타데이터 입력	949
Blackmagic Pocket Camera Battery Grip 사용하기	869	슬레이트	949
카메라와 함께 제공되는 전원 케이블로 카메라에 전원 연결하기	871	카메라의 비디오 출력	954
저장 미디어	872	DaVinci Resolve 사용하기	955
CFast 카드	872	프로젝트 매니저	955
SD 카드	873	컷 페이지를 사용하여 편집하기	956
USB-C 플래시 디스크	875	타임라인에 클립 추가하기	959
녹화용 미디어 준비하기	877	타임라인에서 클립 편집하기	960
Blackmagic Pocket Cinema Camera 미디어 준비하기	877	타이틀 추가하기	960
Mac에서 미디어 준비하기	879	Blackmagic RAW 파일로 작업하기	961
Windows에서 미디어 준비하기	880	컬러 페이지에서 클립 색보정 하기	964
녹화	881	파워 윈도우 추가하기	967
클립 녹화하기	881	플러그인 사용하기	969
Blackmagic RAW	882	오디오 믹싱하기	970
Blackmagic RAW 녹화	883	Fusion 페이지에서 VFX 시각효과 추가 및 합성	974
최대 센서 프레임 레이트	885	편집 영상 마스터링하기	983
녹화 시간	887	신속한 내보내기	983
재생	892	딜리버리 페이지	984
카메라 기능	893	서드 파티 소프트웨어로 작업하기	985
카메라 전면부	893	CFast 2.0 및 SD 카드로 파일 작업하기	985
카메라 우측	894	USB-C 플래시 디스크 파일로 작업하기	985
좌측	894	Final Cut Pro X 사용하기	986
상단 패널	896	Avid Media Composer 2018 사용하기	986
카메라 아랫면	897	Adobe Premiere Pro CC 사용하기	987
카메라 뒷모습	898	Blackmagic Camera Setup 유틸리티	988
터치스크린 제어	899	권장 미디어 목록	989
설정하기	920	CFast 2.0 카드	989
대시보드	920	SD 카드	995
녹화 설정	920	USB-C SSD	998
파일명 표준화	925	도움말	1002
모니터링 설정	926	규제 사항	1003
오디오 설정	932	안전 정보	1004
		보증	1005

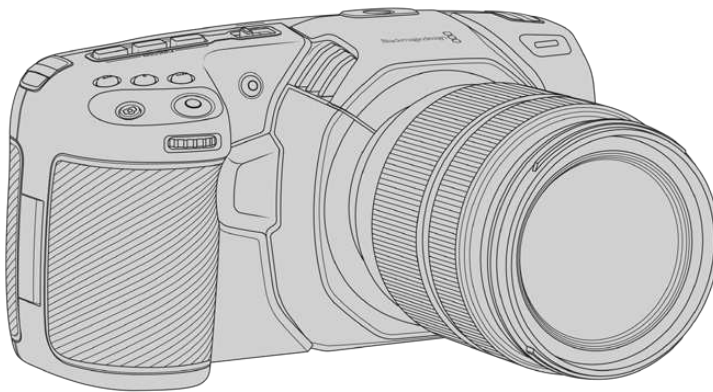
카메라 모델별 정보

Blackmagic Pocket Cinema Camera 6K와 Blackmagic Pocket Cinema Camera 4K의 외관 디자인은 비슷합니다. 두 제품 모두 굉장히 넓은 다이내믹 레인지의 영상을 제공하며 기본 샷시 구성이 동일합니다. 제어 버튼과 소프트웨어 메뉴 구성 또한 동일하며 카메라 작동 방법이 기본적으로 같습니다.

Blackmagic Pocket Cinema Camera 6K는 슈퍼 35mm 크기의 센서와 EF 렌즈 마운트를 지원하며 렌즈 마운트 위에 6K 아이콘이 새겨져 있습니다. Blackmagic Pocket Cinema Camera 4K는 마이크로 포서드 규격의 센서와 마이크로 포서드 규격의 렌즈 마운트를 탑재했습니다.



Blackmagic Pocket Cinema Camera 6K



Blackmagic Pocket Cinema Camera 4K

시작하기

휴대용 디지털 시네마 카메라인 Blackmagic Pocket Cinema Camera는 고화질의 영상을 CFast 2.0 카드 및 UHS-I/UHS-II SD 카드에 녹화하거나, USB-C 연결을 통해 SSD에 녹화할 수 있습니다. 또한, Blackmagic Pocket Cinema Camera는 Blackmagic RAW와 ProRes 등의 후반 제작용 전문 코덱을 사용하여 클립을 녹화할 수 있습니다.

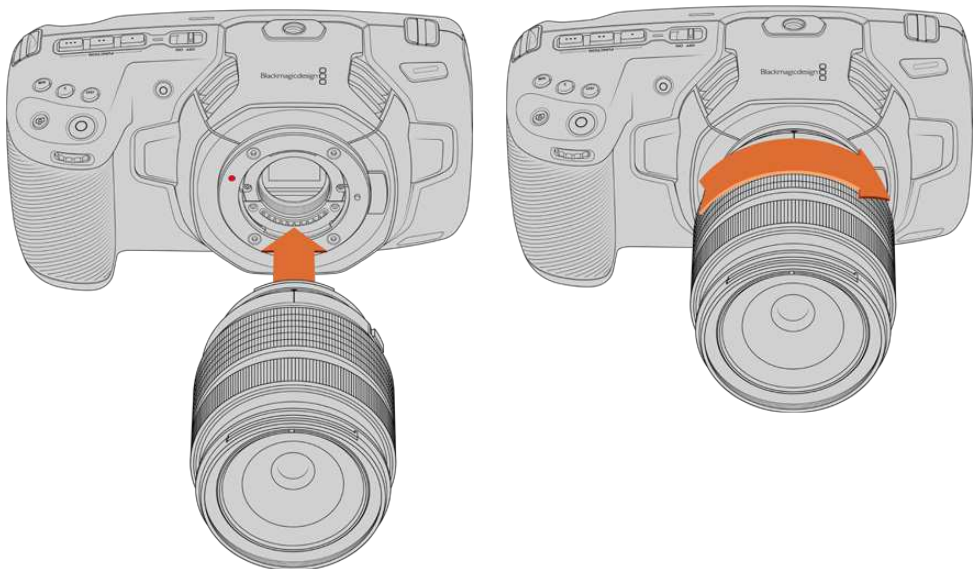
렌즈를 장착하고 카메라 전원을 켜기만 하면 Blackmagic Pocket Cinema Camera를 바로 이용하실 수 있습니다.

렌즈 장착하기

Blackmagic Pocket Cinema Camera 6K는 EF 렌즈를 사용하며, Blackmagic Pocket Cinema Camera 4K는 마이크로 포서드 렌즈를 사용합니다. EF와 마이크로 포서드 렌즈는 흔히 사용하는 경제적인 가격의 렌즈로, 선택할 수 있는 렌즈의 종류가 매우 다양합니다. 카메라에 렌즈를 장착하는 방식은 Blackmagic Pocket Cinema Camera 6K와 Blackmagic Pocket Cinema Camera 4K 모델 모두 동일합니다. 가장 먼저 카메라 마운트의 먼지 보호 덮개를 제거합니다. 카메라의 잠금 버튼을 누르고 커버를 시계 반대 방향으로 돌리면 먼지 보호 덮개를 분리할 수 있습니다.

EF 또는 마이크로 포서드 렌즈 마운트 장착하기

- 1 렌즈의 표시점과 렌즈 마운트의 표시점을 일치시킵니다. 대부분의 렌즈에는 파랑, 빨강, 흰색과 같은 눈에 띄는 표시점이 있습니다.
- 2 렌즈 마운트를 카메라 마운트에 맞대고 시계 방향으로 돌리면 장착됩니다.
- 3 렌즈를 분리하려면 잠금 버튼을 누른 채 렌즈를 시계 반대 방향으로 돌려 마이크로 포서드 규격 렌즈의 경우 표시점이 10시 방향을, EF 렌즈의 경우 12시 방향을 향하게 한 뒤, 조심스럽게 렌즈를 분리합니다. 카메라 마운트에서 렌즈를 천천히 떼어내세요.



Blackmagic Pocket Cinema Camera 4K에 마이크로 포서드 렌즈 장착하기

참고 카메라에 렌즈가 장착되어 있지 않은 경우, 센서를 덮고 있는 카메라의 글라스 필터가 먼지와 다른 이물질에 노출되므로 항상 먼지 보호 덮개를 닫아 두는 것이 좋습니다.

카메라 전원 켜기

이제 렌즈가 장착되었으므로 카메라에 전원을 연결하면 됩니다. Blackmagic Pocket Cinema Camera 시리즈는 LP-E6 배터리를 카메라 내부로 삽입하거나 Blackmagic Pocket Camera Battery Grip의 NP-F570 배터리 두개를 사용할 수 있으며, 혹은 전원 입력 단자에 전원 어댑터를 연결할 수 있습니다.

카메라 배터리 장착 및 전원 켜기

Blackmagic Pocket Cinema Camera는 분리형 표준 LP-E6 배터리를 사용합니다. 카메라에는 한 개의 배터리가 포함되어 있습니다. 추가 배터리가 필요한 경우 Blackmagic Design 리셀러 또는 일반 비디오 및 사진 장비점에서 구입할 수 있습니다.

- 1 카메라 밑 부분에 있는 배터리 뚜껑을 누르면 뚜껑이 열립니다.
- 2 배터리 접촉면이 본체 내부를 향하도록 LP-E6 배터리를 넣고 딸깍하는 소리와 함께 완전히 잠길 때까지 밀어 넣으세요.

정보 배터리를 분리하고자 할 때는 잠금 탭을 카메라 앞 방향으로 밀면 배터리가 분리됩니다.

- 3 배터리 뚜껑을 닫고 딸깍 소리가 날 때까지 부드럽게 밀어주세요.
- 4 카메라 위에 있는 전원 스위치를 ON으로 설정하세요. 카메라 전원을 끄려면 전원 스위치를 OFF로 설정하세요.

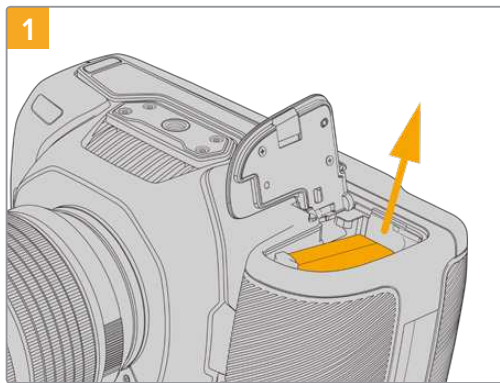
Blackmagic Pocket Camera Battery Grip 사용하기

Blackmagic Pocket Camera Battery Grip을 보유하고 있다면 지금 바로 설치해보세요. Blackmagic Pocket Camera Battery Grip은 Pocket Cinema Camera 4K 및 Pocket Cinema Camera 6K 모델에 적합하도록 설계되었습니다.

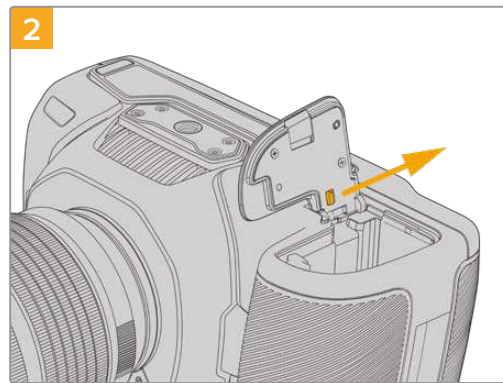
이 제품은 수평의 핸들 모양으로 카메라에 부착되며 두 개의 NP-F570 L-Series 배터리가 있어 2시간 이상 연속 촬영이 가능합니다. 12 V DC 전원 입력을 통해 배터리 그립 내의 배터리를 충전할 수 있으며, 배터리를 교환하는 과정에서도 끊임 없는 전원을 공급합니다. 카메라의 전원이 꺼진 상태에서는 USB-C 포트를 이용하여 배터리 그립의 배터리를 충전할 수 있습니다.

Blackmagic Pocket Camera Battery Grip 장착하기

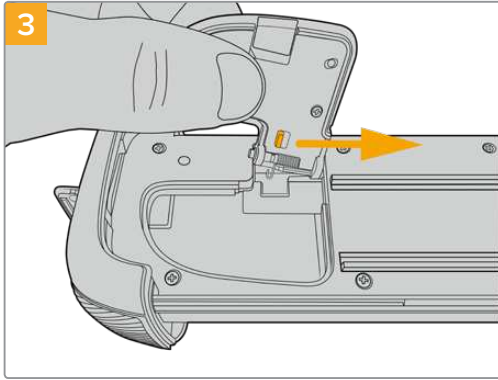
Blackmagic Pocket Camera Battery Grip을 장착하기 전에 Pocket Cinema Camera의 전원을 끄고, 연결된 모든 외부 전원 장치를 카메라에서 분리합니다.



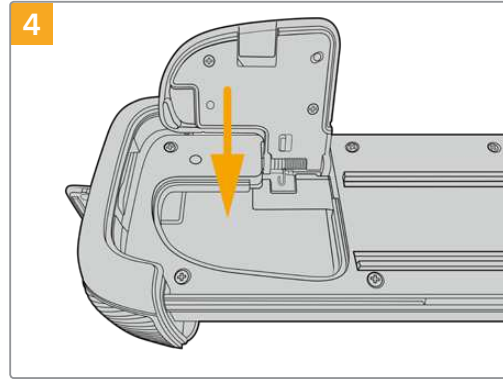
카메라 배터리실을 연 다음, LP-E6 배터리를 꺼냅니다.



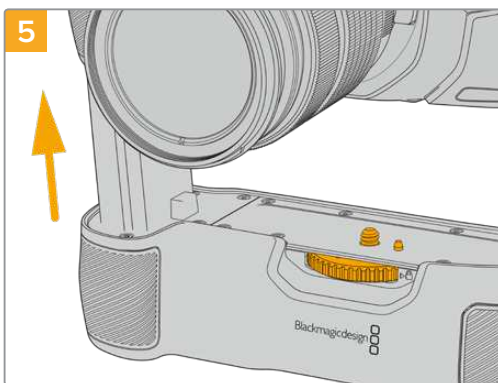
배터리실 뚜껑의 힌지 부근 탭을 밀어 뚜껑을 떼어냅니다.



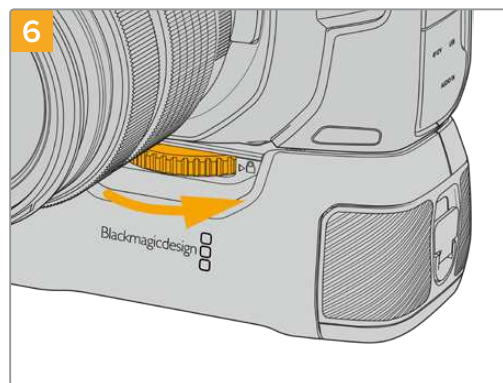
떼어낸 뚜껑을 보다 안전하게 보관하기 위해서 배터리 그림의 밑받침의 움푹 파인 부분에 뚜껑을 끼워 보관하세요.



배터리실 뚜껑을 닫아 배터리 그림의 밑받침 면과 수평이 되도록 맞춰 주세요.

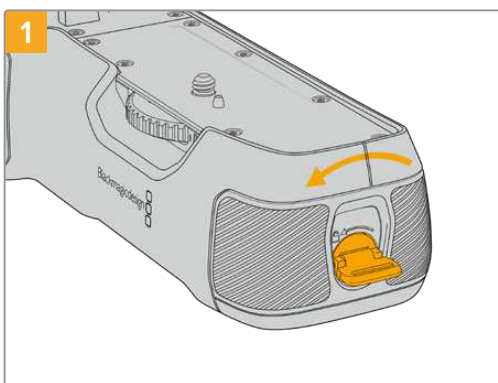


배터리 그림의 배터리 모양 부분을 카메라의 배터리실로 삽입합니다. 배터리 그림 상단의 1/4인치 나사가 카메라 밑부분의 1/4-20 마운팅 포인트와 맞물리게 됩니다. 1/4인치 나사 옆에 있는 작은 핀을 통해 배터리 그림을 올바르게 맞출 수 있습니다.

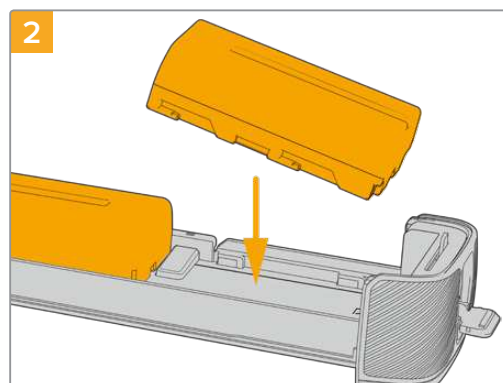


배터리 그림의 앞부분에 위치한 노브를 오른쪽 방향으로 돌려 카메라에 단단히 조여주면 카메라에 안정적으로 장착됩니다.

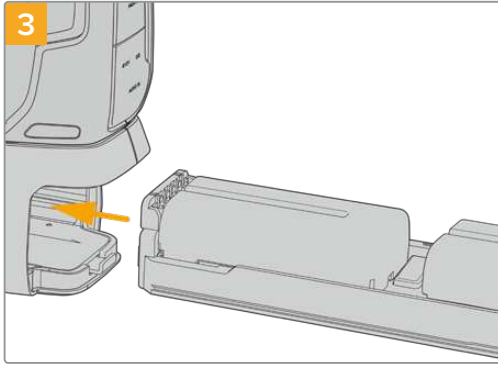
Blackmagic Pocket Camera Battery Grip에 배터리 삽입하기



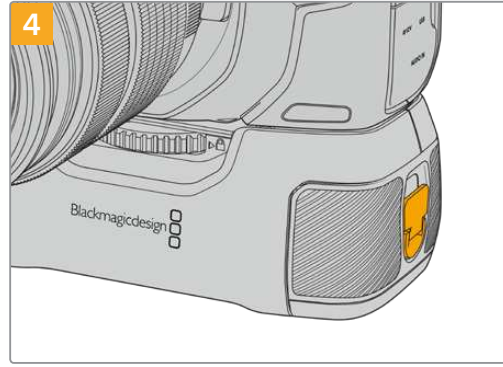
배터리 그림의 끝단에 있는 잠금 탭을 반시계방향으로 돌려 배터리 받침대의 잠금 상태를 풀어주세요. 배터리 받침대를 미끄러지듯 잡아 당겨 빼주세요. Blackmagic Pocket Battery Grip을 카메라에 장착하기 전과 후 모두 위와 같은 방법으로 배터리 받침대를 분리합니다.



두 개의 NP-F570 배터리를 배터리 받침대에 놓고 각 배터리의 방향을 잘 확인한 후, 서로 멀어지도록 다른 방향으로 밀어 줍니다. 두 개의 배터리 사이에 있는 탭이 올라가면서 배터리의 자리를 잡아줍니다. 배터리를 꺼내고 싶을때는 이 탭을 아래로 누른 후, 두 개의 배터리가 서로 가까워지도록 배터리를 밀어줍니다.



배터리 받침대를 배터리 그립 내부로 삽입한 다음, 잠금 탭을 시계방향으로 돌립니다. 비록 배터리 그립의 배터리를 교환하는 중일지라도, 카메라의 DC 전원 입력에 외부 전원이 연결된 상태라면, 영상을 계속해서 촬영할 수 있습니다.



배터리 그립의 끝단에 위치한 잠금 탭을 시계방향으로 돌려 배터리 받침대를 잠금니다.

정보 카메라에 부착된 Blackmagic Pocket Camera Battery Grip 안에 두 개의 배터리가 들어 있을 경우, 카메라 LCD 터치스크린의 오른쪽 상단 모서리에 나타나는 배터리 표시 장치를 통해 두 개의 배터리 아이콘 및 각 배터리의 충전 상태를 확인할 수 있습니다. 자세한 정보는 본 설명서의 [전원] 부분을 참고하세요.

카메라와 함께 제공되는 전원 케이블로 카메라에 전원 연결하기

제품과 함께 동봉된 100~240V 플러그 팩을 사용하면 카메라에 전원 공급과 동시에 LP-E6 배터리를, 혹은 Blackmagic Pocket Camera Battery Grip이 연결되었다면 그 안의 NP-F570 배터리 두 개를 동시에 충전할 수 있습니다. DC 전원 커넥터는 카메라에 단단히 연결되기 때문에 실수로 분리될 가능성이 적습니다.

외부 전원에 연결하기

- 1 메인 콘센트에 AC-12V DC 어댑터를 연결합니다.
- 2 카메라의 왼쪽에 있는 고무 마개를 열고 잠금 지원 DC 전원 커넥터를 돌려 12V DC 전원 입력 위의 작은 홈에 맞춰 장착합니다. 커넥터를 천천히 밀면 소리가 나면서 잠깁니다.
- 3 커넥터 연결을 해제하려면 피복 부분을 당겨 전원 입력에서 빼냅니다.

카메라에 배터리 및 외부 전원 모두 연결되어 있는 경우, 카메라는 외부 전원만 사용합니다. 완충된 배터리를 장착한 채 외부 전원을 뺐으면 자연스럽게 카메라 배터리 전원을 사용합니다.

카메라 전원이 꺼져 있는 경우, USB를 통해 LP-E6 배터리를 충전할 수 있습니다. 이는, 휴대용으로 USB를 들고 다니며 카메라를 사용하지 않을 때 카메라를 충전할 수 있어 편리합니다. Blackmagic Pocket Cinema Camera는 벽에 꽂는 표준 10W USB 충전기 또는 USB PD 충전기를 사용하여 충전할 수 있습니다. USB PD 충전기는 일반적으로 USB-C 연결과 최대 20W 출력을 지원하므로 충전 속도가 빠릅니다. 카메라 ON/OFF 상태와 상관없이 12V DC 전원 입력을 통해 LP-E6 배터리를 충전할 수 있습니다.

정보 사용한 직후, 열기가 있는 배터리를 충전할 시에는 배터리 온도가 45° 아래로 낮아지기 전까지 충전 속도가 낮을 수 있습니다. 충전을 시작하기 전에 약 15분 동안 온도를 낮춘 다음 사용할 것을 권장합니다.

이제 저장 미디어를 삽입하여 녹화를 시작할 수 있습니다!

저장 미디어

Blackmagic Pocket Cinema Camera는 표준형 SD 카드 및 빠른 속도를 지원하는 UHS-II SD 카드나 CFast 2.0 카드에 영상을 녹화할 수 있습니다.

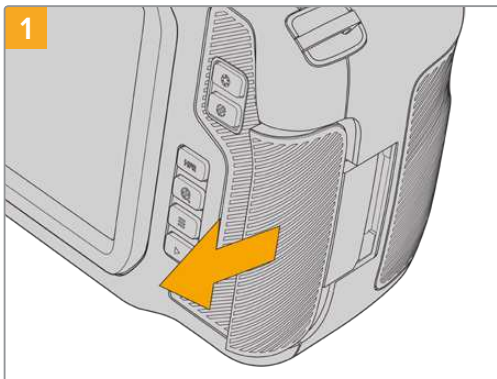
USB-C 확장 포트를 통해 대용량 USB-C 플래시 디스크를 연결하여 사용하면 녹화 시간을 연장할 수 있습니다.

CFast 카드

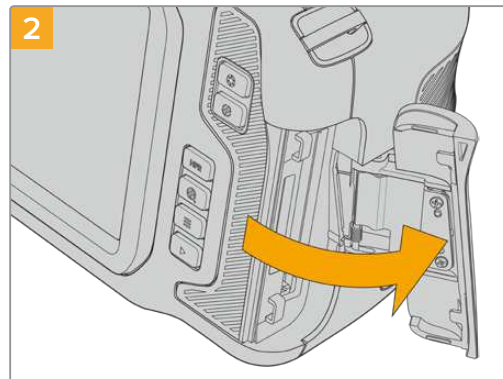
CFast 2.0 카드는 매우 높은 데이터 전송률을 지원해 6K, 4K, HD 비디오를 높은 프레임 레이트로 녹화할 수 있습니다. 각각의 녹화 포맷에 따른 최대 프레임 레이트에 관한 자세한 정보는 [녹화] 부분에 있는 녹화 가능 시간 표를 참고하세요.

참고 CFast 2.0 카드는 일반적으로 빠른 속도를 지원하지만, 일부 카드의 경우 쓰기 속도가 읽기 속도에 비해 느리기도 하며 카드 모델에 따라 최대 데이터 전송 속도가 다릅니다. 선택한 프레임 레이트에 맞는 안정적인 녹화를 위해서는 Blackmagic Design에서 권장하는 카드만 사용하시기 바랍니다.

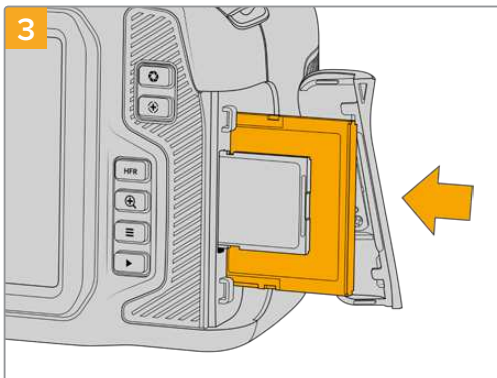
CFast 카드 삽입하기



미디어 슬롯을 사용하기 위해서는 오른쪽에 있는 뚜껑을 카메라의 뒤쪽 방향으로 밀어주세요.



탄성이 있는 뚜껑이 열리면 CFast 및 SD 메모리 카드 슬롯을 사용할 수 있습니다.

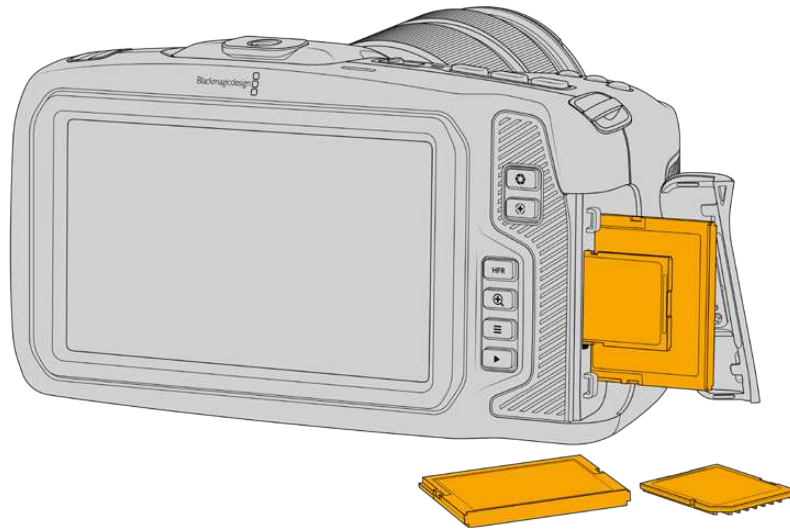


CFast 카드가 CFast 카드 슬롯에 제대로 장착될 때까지 집어넣습니다. 이 카드는 손쉽게 장착되어 무리하게 밀어 넣을 필요가 없습니다. 카드를 꺼내고 싶을 땐, CFast 카드를 살짝 누르면 카메라에서 CFast 카드가 분리되어 꺼낼 수 있습니다.



LCD 터치스크린 하단에 나타나는 저장 정보를 통해 사용 중인 CFast 카드 이름 및 잔여 녹화 시간을 확인할 수 있습니다.

SD 카드 삽입은 CFast 카드 삽입과 매우 유사합니다. 자세한 정보는 본 설명서의 [SD 카드 삽입하기] 부분을 참고하세요.



CFast 2.0 카드 선택하기

데이터 전송률이 높은 비디오를 작업할 경우, 사용하려는 CFast 카드의 종류를 신중하게 결정해야 합니다. CFast 2.0 카드는 모델별로 읽기/쓰기 속도가 다르기 때문입니다.

Blackmagic Design이 테스트를 마친, CFast 2.0 카드 권장 목록은 본 설명서의 뒷부분에 있는 [권장 녹화용 미디어] 부분을 참고하세요.

Blackmagic Pocket Cinema Camera용 CFast 권장 카드와 관련한 최신 정보는 Blackmagic Design 고객 지원 센터(www.blackmagicdesign.com/kr/support)에서 확인하실 수 있습니다.

SD 카드

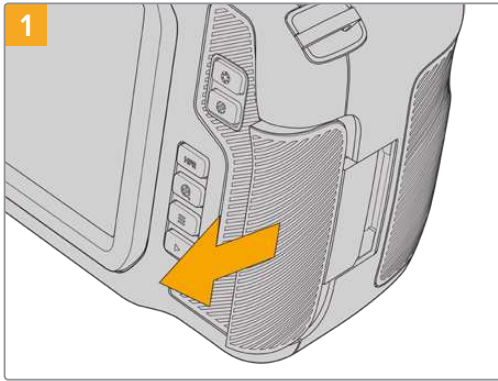
CFast 2.0 카드 이외에 고속 UHS-I 및 UHS-II 타입의 SD 카드도 사용할 수 있습니다. HD 압축 영상 포맷으로 촬영 시 더욱 저렴한 저장 미디어인 UHS-I SD 카드를 사용할 수 있으며, 더욱 빠른 속도를 제공하는 UHS-II 카드를 사용하는 경우 Blackmagic RAW 포맷, 혹은 UHD 콘텐츠를 ProRes 포맷으로 녹화할 수 있습니다.

HD 압축 비디오 포맷으로 촬영할 경우에는 더 쉽게 구할 수 있는 SD 카드를 저장 미디어로 사용할 수 있습니다.

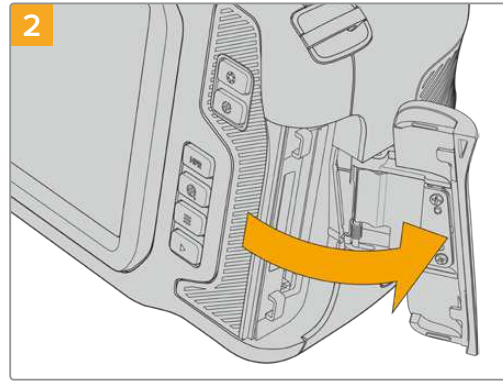
SDXC와 SDHC는 일반 소비자용 스틸 및 비디오 카메라에서 자주 사용하는 미디어 저장 포맷입니다. 만약 DSLR로 비디오를 촬영해본 경험이 있거나, Blackmagic Micro Cinema Camera, Pocket Cinema Camera, Blackmagic Video Assist를 사용하는 사용자라면 이미 호환 SD 카드를 가지고 있을 것입니다.

최고 해상도의 파일이 필요 없는 프로젝트를 진행하는 경우나 장시간 녹화가 필요한 경우에는 SD 카드를 사용하면 아주 경제적으로 촬영할 수 있습니다. SD 카드의 용량이 작거나 속도가 느린 경우, LUT와 프리셋을 저장 및 로딩하는 데 활용할 수 있습니다.

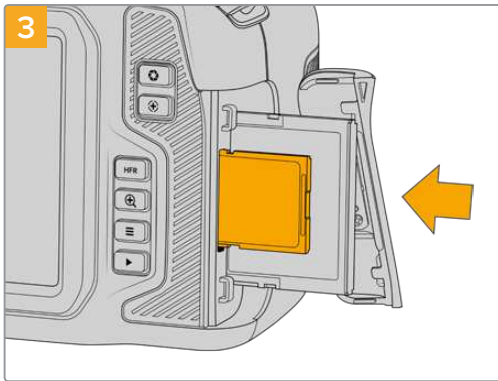
SD 카드 삽입 하기



미디어 슬롯을 사용하기 위해서는 오른쪽에 있는 뚜껑을 카메라의 뒤쪽 방향으로 밀어주세요.



탄성이 있는 뚜껑이 열리면 미디어 슬롯을 사용할 수 있습니다.



SD 카드의 라벨 부분이 터치스크린 방향으로 향하게 한 뒤, 카드가 제대로 장착될 때까지 집어넣습니다. 이 카드는 손쉽게 장착되어 무리하게 밀어 넣을 필요가 없습니다.

SD 카드를 꺼낼 때는 SD카드를 부드럽게 안쪽으로 민 다음 힘을 풀면, SD카드를 꺼낼 수 있습니다.



LCD 터치스크린 하단에 나타나는 저장 정보를 통해, 사용 중인 SD 카드의 이름 및 잔여 녹화 시간을 확인할 수 있습니다.

SD 카드 선택하기

6K 및 4K DCI, UHD로 녹화하는 경우에는 초고속의 UHS-II 타입 SD 카드 사용을 권장합니다. 고속 UHS-II SD 카드는 6K 및 4K DCI, UHD, HD 녹화 시에 사용하며, UHS-I 카드는 HD 녹화 시에 사용하는 것이 중요합니다. 이 카드들은 빠른 데이터 속도와 대용량 저장 공간을 지원합니다. 일반적으로 카드 속도는 빠를수록 좋습니다.

카드를 사용하기 전에 반드시 HFS+나 exFAT로 포맷해야 합니다. 카메라 저장 설정에서 미디어를 손쉽게 포맷할 수 있습니다. 저장 설정에 대한 자세한 정보는 본 설명서의 [설정] 부분을 참고하세요.

원할 경우 Mac 또는 Windows 컴퓨터에서 카드를 포맷할 수 있습니다. 미디어를 Mac OS 운영 체제에서 사용할 경우 Mac 디스크 포맷인 HFS+(Mac OS 확장 포맷)를 사용할 수 있습니다. Windows 운영 체제를 사용할 경우에는 Windows 디스크 포맷인 exFAT 포맷만을 사용해야 합니다. Mac 컴퓨터에서는 exFAT 포맷도 사용 가능합니다.

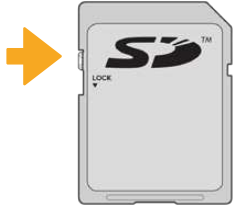
Blackmagic Design이 테스트를 마친 권장 SD 카드 목록은 본 설명서의 뒷부분에 있는 [권장 미디어 목록] 부분을 참고해 주시기 바랍니다.

Blackmagic Pocket Cinema Camera에서 지원되는 SD 카드에 관한 최신 정보는 Blackmagic Design 고객 지원 센터(www.blackmagicdesign.com/kr/support)에서 확인하실 수 있습니다.

정보 높은 해상도와 높은 프레임 레이트의 녹화를 원할 경우 일반적으로 속도가 빠르고 용량이 큰 CFast 2.0 미디어 또는 외장 USB-C 플래시 디스크를 사용할 것을 권장합니다.

SD 카드 잠금 및 잠금 해제

SD 카드는 쓰기 방지 또는 잠금 기능을 지원하여 기존 데이터를 덮어쓰기 하는 일을 방지할 수 있습니다. SD 카드를 삽입할 때, 쓰기 방지가 해제되어 있는지 반드시 확인하세요. 쓰기 방지 기능을 해제하려면 카드 왼쪽 측면에 있는 플라스틱 스위치를 커넥터 방향으로 전환합니다. 녹화가 끝나면 언제든지 다시 쓰기 방지 기능을 설정할 수 있습니다.



잠금 탭을 위/아래로 움직여 SD 카드를 잠금 또는 잠금 해제하세요.

Blackmagic Pocket Cinema Camera에 잠금 장치가 설정된 SD 카드를 장착하면 카메라 LCD 터치스크린에 카드 녹화 잔여 시간 대신 '잠금 모드' 라는 메시지가 나타나며 카드명 옆에 있는 저장 메뉴에는 자물쇠 아이콘이 나타납니다. 카드에 쓰기 방지 기능을 설정한 경우 이를 해제하기 전까지는 영상 녹화, 스틸 캡처, LUT 및 프리셋 보내기를 수행할 수 없습니다.

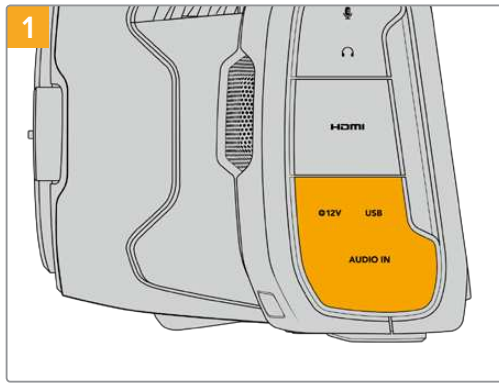


USB-C 플래시 디스크

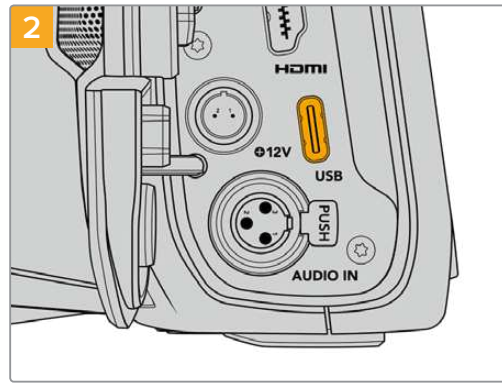
Blackmagic Pocket Cinema Camera에는 USB-C 플래시 디스크에 영상을 바로 녹화할 수 있는 고속 USB-C 확장 포트가 탑재되어 있습니다. 빠른 고용량 드라이브를 사용하면 장시간의 행사 촬영에 꼭 필요한 장시간 녹화를 진행할 수 있습니다.

녹화가 끝나면 사용한 드라이브를 바로 컴퓨터에 연결하여 미디어 복사 과정 없이 편집 작업 및 후반 제작 작업을 수행할 수 있습니다.

USB-C 플래시 디스크 연결하기



1 카메라 왼쪽면에 있는 고무 덮개를 열고 USB-C 케이블의 한쪽을 USB-C 포트에 연결합니다.



2 USB-C 케이블의 다른 한쪽을 USB-C 플래시 디스크에 연결하세요.

참고 USB-C 플래시 디스크를 카메라에 연결하면, 카메라 운영시스템은 SD 카드가 연결되었을 때와 같은 자리를 플래시 디스크에 할당합니다. 다시 말해, 호환 USB-C 플래시 디스크를 연결하면 카메라의 SD 카드 슬롯은 사용할 수 없습니다.

USB-C 플래시 디스크 대신 SD 카드 슬롯을 사용하려면, USB-C 플래시 디스크 연결을 카메라에서 해제하세요.

빠른 USB-C 플래시 디스크 선택하기

USB-C 플래시 디스크는 빠르고 경제적인 저장 방식으로 다양한 종류의 장비에서 사용할 수 있도록 제작되었으며, 일반 가전 제품 매장에서 쉽게 구할 수 있습니다. USB-C 플래시 디스크의 용도는 매우 다양하며 영화 제작 용도는 그 중 하나에 불과합니다. 따라서 6K 또는 4K 영상 녹화 속도를 지원하는 가장 적절한 드라이브를 선택하는 것이 매우 중요합니다.

대부분의 USB-C 플래시 디스크는 가정용 컴퓨터 사용을 위해 제작되었기 때문에 6K 및 4K 비디오를 녹화할 수 있을 만큼 속도가 빠르지 않습니다.

Blackmagic Design이 테스트를 마친 권장 USB-C 플래시 디스크 목록은 본 설명서의 뒷부분에 있는 [권장 미디어 목록] 부분을 참고하세요.

권장 USB-C 플래시 디스크 최신 목록은 www.blackmagicdesign.com/kr/support에서 확인할 수 있습니다.

USB-C 플래시 디스크 속도 관련 유의 사항

일부 USB-C 플래시 디스크 모델은 제조사에서 주장하는 속도로 영상 데이터를 저장하지 않습니다. 이는, 더욱 높은 쓰기 속도를 위해 디스크가 숨겨진 데이터 압축을 사용하기 때문입니다. 이런 데이터 압축 기능은 빈 데이터나 간단한 파일의 데이터를 저장할 경우에만 제조사에서 주장하는 속도로 저장할 수 있습니다. 영상 데이터는 영상 노이즈와 무작위 픽셀 데이터가 포함되어 있어 압축 효과가 크게 없으므로 디스크의 실제 속도가 그대로 드러납니다.

일부 USB-C 플래시 디스크는 제조사에서 주장하는 속도보다 50% 낮은 쓰기 속도를 보이는 경우도 있습니다. 그러므로 USB-C 플래시 디스크 사양에서 영상을 다룰 수 있는 충분한 속도를 지원한다고 하더라도 실제로는 실시간 영상 캡처에 충분한 속도를 지원하지 못할 수도 있습니다.

Blackmagic Disk Speed Test를 사용하여 USB-C 플래시 디스크의 속도를 정확하게 측정하고, 비디오 캡처/재생을 높은 속도로 수행할 수 있는지 여부를 확인하세요. Blackmagic Disk Speed Test에서는 데이터를 사용해 모의로 영상 저장을 수행하기 때문에 실제로 비디오를 디스크에 저장할 때와 비슷한 결과를 확인할 수 있습니다. 테스트 결과 일반적으로 용량이 크고 신규 모델의 USB-C 플래시 디스크일수록 더욱 빠른 속도를 지원하는 것으로 나타났습니다.

Blackmagic Disk Speed Test는 Mac 앱스토어에서 이용하실 수 있습니다. Blackmagic Desktop Video 에는 Windows/macOS 버전 또한 포함되어 있으며, 이는 Blackmagic Design 고객센터 센터(www.blackmagicdesign.com/kr/support)의 '캡처 및 재생' 제품군 페이지에서 다운로드할 수 있습니다.

녹화용 미디어 준비하기

카메라의 저장 및 포맷 메뉴에서 '카드 포맷하기' 기능을 사용하거나 Mac/Windows 컴퓨터에서 CFast 또는 SD 카드를 포맷할 수 있습니다. 최상의 저장 미디어 성능을 위해 카메라에서 저장 미디어를 직접 포맷할 것을 권장합니다.

OS X 확장 포맷으로도 알려진 HFS+는 저널링이 가능하므로 사용을 권장합니다. 사용하는 저장 미디어에 문제가 생길 경우, 저널링이 적용된 미디어 카드의 데이터는 복원될 가능성이 훨씬 높습니다. HFS+는 Mac OS에서 기본 지원됩니다. ExFAT는 Mac OS와 Windows에서 기본 지원되므로 추가 소프트웨어가 필요하지 않으나 저널링을 지원하지는 않습니다.

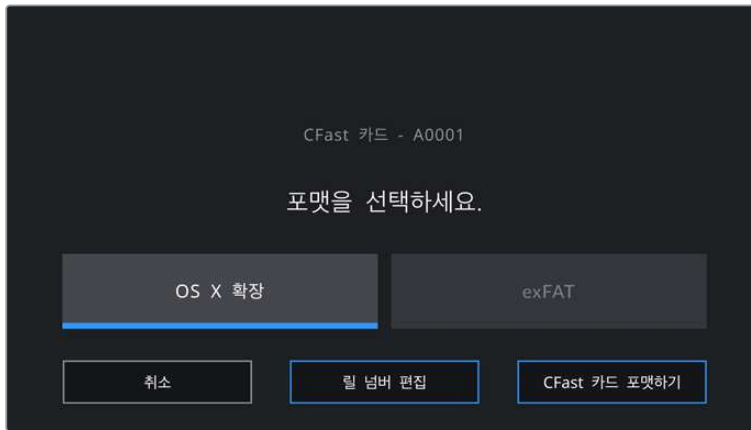
Blackmagic Pocket Cinema Camera 미디어 준비하기

- 1 LCD 터치스크린 하단의 저장 표시 장치를 눌러 저장 관리 화면에 접속하세요.
- 2 'CFast 카드 포맷하기' 또는 'SD 카드 포맷하기'를 탭하세요. 카메라에 USB-C 플래시 디스크가 연결되어 있을 시 'SD 카드 포맷하기' 대신, 화면에 '드라이브 포맷하기'가 나타납니다.



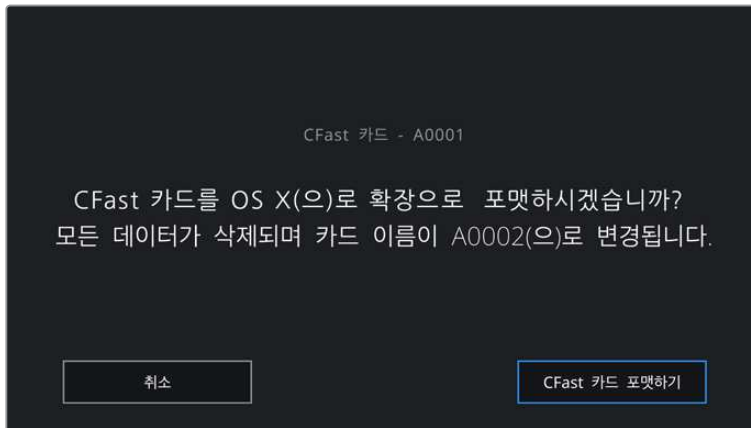
카메라에 USB-C 플래시 디스크가 연결되면 저장 및 포맷 메뉴 화면에는 'SD 카드 포맷하기' 대신 '외장 드라이브 포맷하기'가 나타납니다.

- 3 릴 넘버를 수동으로 변경하려면 '릴 넘버 편집'을 누르세요. 숫자판에서 새로운 릴 번호를 입력하고 '업데이트'를 누르면 선택이 확인됩니다.
- 4 'OS X 확장' 또는 'exFAT' 포맷을 선택한 뒤, 포맷 버튼을 누르세요.



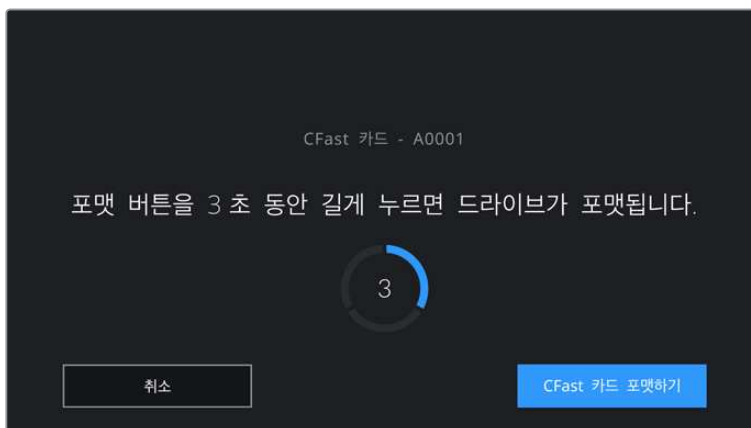
릴 넘버를 수동으로 편집하려면 '릴 넘버 편집'을 누르세요.

- 5 포맷하려는 카드와 원하는 포맷, 릴 번호를 확인할 수 있는 창이 화면에 나타납니다. 포맷 버튼을 눌러 선택을 확인하세요. 포맷을 취소하려면 '취소' 버튼을 누르세요.



포맷을 시작하기 전에 올바른 카드를 선택했는지 확인하세요.

- 6 포맷 버튼을 3초 동안 길게 누르면 선택한 미디어가 포맷됩니다.



- 7 포맷이 완료되었다는 메시지가 나타나면 드라이브의 사용 준비가 완료된 것입니다. 포맷 실패 시, 카메라에 알림 메시지가 나타납니다.
- 8 저장 관리 화면으로 돌아가려면 '확인' 버튼을 누르세요.
- 9 저장 관리 화면 밖으로 나가려면 '종료' 버튼을 누르세요.

카메라에서 직접 CFast 카드나 SD 카드 또는 USB-C 플래시 디스크를 포맷하는 경우에는 카메라에 내장된 슬라이드가 릴 넘버를 사용하여 카메라 ID를 생성합니다. 릴 넘버는 포맷할 때마다 자동으로 증가합니다. 특정 릴 넘버를 수동으로 입력하려면 '릴 넘버 편집'을 누른 뒤, 포맷하려는 카드에 사용할 숫자를 입력하세요.

새로운 프로젝트를 시작하여 릴 넘버를 1부터 시작하려면 슬라이드의 '프로젝트' 탭에서 '프로젝트 데이터 초기화'를 선택하세요.



카메라의 저장 관리 화면을 통해 현재 CFast, SD, USB-C 플래시 디스크 중 어떤 유형의 미디어를 사용 중인지 알 수 있습니다.

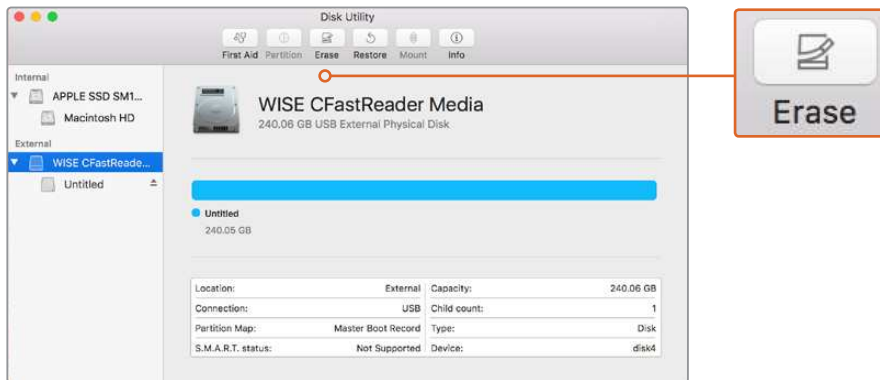
정보 쓰기 방지가 설정된 SD 카드의 경우, 카메라 LCD 터치스크린에 녹화 가능 시간 대신, '잠금 모드'라는 메시지가 나타나며 저장 메뉴에는 자물쇠 모양의 아이콘이 나타납니다. 포맷과 녹화가 가능하도록 쓰기 방지 기능을 해제하세요. 자세한 정보는 본 설명서의 [SD 카드] 부분을 참고하세요.

참고 USB-C 플래시 디스크가 연결되어 있는 경우, 2번 스토리지 슬롯 위에 '외장 드라이브'가 표시됩니다.

Mac에서 미디어 준비하기

Mac OS에 있는 디스크 유틸리티 응용프로그램을 사용하여 CFast 카드, SD 카드, USB-C 플래시 디스크를 HFS+ 또는 exFAT로 포맷할 수 있습니다. 포맷과 함께 데이터가 사라질 수도 있으므로 미디어에 저장된 중요한 데이터는 반드시 백업해둬야 합니다.

- 1 저장 미디어를 컴퓨터에 연결하고 타임머신 백업에 미디어를 사용하도록 요청하는 메시지는 모두 거절하세요.
- 2 '응용 프로그램' > '유틸리티'로 이동해 '디스크 유틸리티'를 실행하세요.
- 3 사용 중인 카메라 저장 미디어의 디스크 아이콘을 클릭한 뒤, '지우기' 탭을 클릭하세요.
- 4 포맷을 'Mac OS 확장(저널링)' 또는 'exFAT'로 설정하세요.
- 5 새로운 볼륨의 이름을 입력하고 '지우기'를 클릭합니다. 카메라 저장 미디어가 신속하게 포맷되어 사용 준비가 완료됩니다.

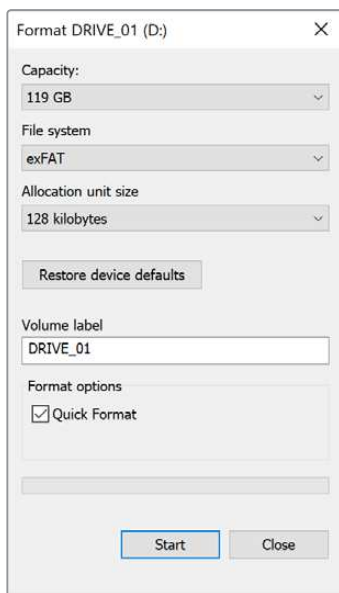


Mac OS의 디스크 유틸리티를 사용하여 Mac OS 확장(저널링) 또는 exFAT 포맷으로 저장 미디어를 포맷하세요.

Windows에서 미디어 준비하기

Windows PC의 포맷 대화 상자에서 카메라 저장 미디어를 exFAT으로 포맷할 수 있습니다. 포맷과 함께 데이터가 사라질 수도 있으므로 미디어에 저장된 중요한 데이터는 반드시 백업해둬야 합니다.

- 1 외부 판독기나 USB-C 케이블, 어댑터를 사용하여 카메라 저장 미디어를 컴퓨터에 연결하세요.
- 2 '시작' 메뉴 또는 '시작' 화면을 열고 '내 컴퓨터'를 선택합니다. 카메라 저장 미디어에서 마우스 오른쪽 버튼을 클릭합니다.
- 3 메뉴에서 '포맷'을 선택합니다.
- 4 파일 시스템을 'exFAT'으로 설정한 뒤, 할당 단위의 크기를 '128킬로바이트'로 설정합니다.
- 5 볼륨 라벨을 입력하고 '빠른 포맷'을 선택한 뒤, '시작'을 클릭합니다.
- 6 저장 미디어가 신속하게 포맷되면 사용 준비가 완료됩니다.



Windows의 포맷 대화 상자에서 카메라 저장 미디어를 exFAT로 포맷합니다.

참고 녹화 중 드롭 프레임 현상이 발생할 경우, 현재 사용 중인 카드 또는 드라이브의 코덱 및 프레임 레이트 크기가 저희 권장 미디어 목록에 있는지를 확인하세요. 데이터 전송 속도가 낮을 경우에는 프레임 레이트 및 해상도를 낮추거나, ProRes 같은 압축 코덱을 사용해보세요. Blackmagic Design 웹사이트 www.blackmagicdesign.com/kr에서 최신 정보를 확인하실 수 있습니다.

참고 파티션된 미디어를 Blackmagic Pocket Cinema Camera에서 사용할 수 있지만, 녹화 및 재생에서는 첫 번째 파티션만 인식합니다.

저장 및 포맷 메뉴를 사용하여 미디어를 포맷하는 경우에는 녹화 및 재생에 사용된 첫 번째 파티션을 포함한 모든 파티션, 즉 전체 드라이브가 삭제됩니다. 따라서, 하나의 파티션만 사용할 것을 권장합니다.

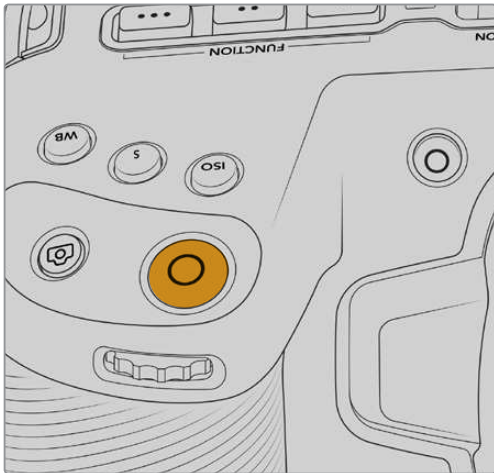
녹화

클립 녹화하기

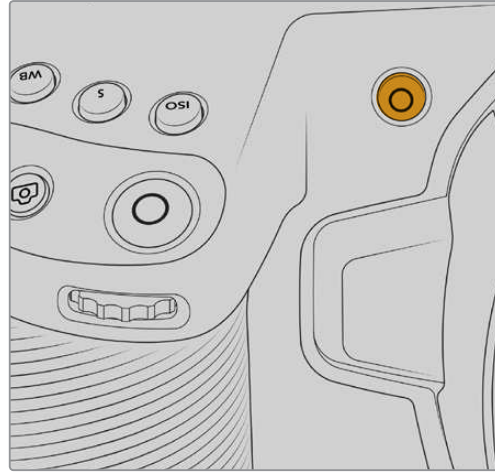
Blackmagic Pocket Cinema Camera에는 두 개의 녹화 버튼이 탑재되어 있습니다. 기본 녹화 버튼은 핸드 그립 위에 있어 카메라를 오른손으로 잡으면 두 번째 손가락으로 쉽게 버튼을 누를 수 있습니다.

다른 녹화 버튼은 카메라 전면에 있어 셀프 모드로 촬영 시, 한 손으로 카메라를 잡고 촬영하기에 편리합니다. 이 녹화 버튼은 브이로그 촬영 등 셀프 모드로 촬영할 때 사용하기 좋은 위치에 있습니다.

이 두 녹화 버튼 중 하나를 누르면 바로 녹화가 시작됩니다. 녹화 버튼을 다시 누르면 녹화가 정지됩니다.



카메라 상단에 위치한 녹화 버튼



카메라 전면에 위치한 녹화 버튼

녹화를 시작하기 전에 터치스크린에 나타나는 미디어 이름을 길게 누르면 원하는 메모리 카드 또는 USB-C 플래시 디스크를 선택할 수 있습니다. 선택한 미디어 유형 위의 바가 파란색으로 변하면 선택한 미디어로 녹화할 준비가 완료되었음을 나타냅니다. 다른 카드 또는 드라이브에 녹화하려면 원하는 미디어 이름을 길게 누릅니다. 녹화 중에는 바가 빨간색으로 나타납니다.

녹화 포맷 선택하기

Blackmagic Pocket Cinema Camera는 ProRes 422 HQ, ProRes 422, ProRes 422 LT, ProRes 422 Proxy를 포함한 Apple ProRes 코덱으로 녹화할 수 있습니다. ProRes 코덱을 사용하면 SD 카드, CFast 카드, USB-C 플래시 디스크에 더욱 많은 영상을 저장할 수 있습니다. ProRes 422 HQ는 고화질의 영상과 매우 낮은 압축률을 제공합니다. 반대로 ProRes 422 Proxy는 매우 높은 압축률로 더욱 긴 녹화 시간을 제공합니다. Blackmagic RAW 포맷으로도 녹화할 수 있습니다. 본인의 워크플로에 가장 적합한 포맷을 선택할 수 있도록 테스트를 해보는 것도 좋습니다.

Blackmagic Pocket Cinema Camera는 풀 센서 및 윈도우 센서 포맷에는 Blackmagic RAW를 사용할 수 있으며, 축소 포맷에는 반드시 ProRes를 사용합니다.

윈도우 센서 및 축소 포맷에 관한 자세한 정보는 [최대 센서 프레임 레이트] 부분을 참고하세요.

Blackmagic RAW

Blackmagic Pocket Cinema Camera는 Blackmagic RAW 파일 포맷을 지원합니다. 이 포맷은 사용자에게 뛰어난 영상 화질, 폭넓은 다이내믹 레인지 그리고 다양한 압축률을 제공합니다. Blackmagic RAW는 RAW 파일 녹화가 가진 장점은 그대로 유지하는 동시에, 카메라 자체의 하드웨어에서 모든 처리를 가속화하므로 매우 빠른 파일 속도를 경험할 수 있습니다. 즉, 영상 파일을 먼저 캐싱하거나 해상도를 낮추지 않고도 대부분의 컴퓨터에서 Blackmagic RAW를 일반 속도로 재생할 수 있습니다.

또한, Blackmagic RAW는 강력한 메타데이터 지원 기능을 탑재하여, 편집 소프트웨어가 메타데이터 파일을 읽어들이므로 사용자의 카메라 설정을 인식할 수 있습니다. 촬영한 영상을 신속하게 전달해야 하며 색보정 작업에 할애할 시간이 없어서 비디오 감마 촬영을 선호하는 사용자의 경우, 메타데이터 기능을 사용하여 비디오 감마로 촬영 후 편집 소프트웨어에서 촬영 영상을 열어 보면 영상에 이미 비디오 감마가 적용된 것을 확인할 수 있습니다. 그러나 사실 이 파일은 필름 감마이며 소프트웨어는 파일의 메타데이터 설정에 따라 비디오 감마를 적용한 것 뿐입니다.

따라서 색보정 작업을 원한다면 영상 파일에 이미 담겨 있는 필름 다이내믹 레인지를 마음껏 사용할 수 있습니다. 화이트와 블랙을 무리하게 클리핑하지 않고도 영상의 디테일을 유지하고 색보정 작업을 통해 시네마틱한 영상룩을 연출할 수 있습니다. 또한, 비디오 감마가 영상에 적용되어 일반 카메라 촬영 영상처럼 보이기 때문에 시간이 없어 색보정 작업을 하지 못한 경우에도 문제 없습니다. 따라서 완벽한 촬영을 고집할 필요가 없으며, 차후에 후반 제작 단계에서 원하는 대로 변경이 가능합니다.

Blackmagic RAW 파일은 사용자의 컴퓨터 CPU와 GPU에 최적화된 매우 빠른 속도를 가진 코덱입니다. 이는 즉, 영상을 빠르고 부드럽게 재생할 수 있으며 노트북 사용시 필요한 하드웨어 디코더 보드를 사용할 필요가 없음을 뜻합니다. 또한, Blackmagic RAW를 사용하는 소프트웨어는 Apple Metal, Nvidia CUDA 및 OpenCL의 프로세싱이 가능하다는 이점이 있습니다.

즉, Blackmagic RAW는 영상 파일을 먼저 캐싱하거나 해상도를 낮출 필요 없이 대부분의 컴퓨터에서 일반 속도로 재생됩니다.

각 프레임별로 렌즈 정보가 메타데이터에 녹화된다는 점도 참고할 필요가 있습니다. 예를 들어 호환용 렌즈를 사용할 경우, 클립 재생 시간 동안 변경된 줌 또는 포커스 설정은 각 프레임별로 Blackmagic RAW 파일의 메타데이터에 저장됩니다.

Blackmagic RAW 녹화

Blackmagic RAW는 두 가지의 방법으로 작동합니다. 사용자는 고정 비트레이트 코덱 또는 균일 화질 코덱 둘 중에서 하나를 선택할 수 있습니다.

고정 비트레이트 코덱은 대부분의 코덱과 비슷한 방식으로 작동합니다. 이 코덱은 데이터 레이트를 너무 높지 않게 일정한 수치로 유지합니다. 즉, 추가 데이터를 요구하는 복잡한 영상을 촬영하는 경우에도 고정 비트레이트 코덱을 사용하면 할당된 저장 공간에 맞추어 파일을 더 많이 압축하여 저장할 수 있습니다.

이 방식은 비디오 코덱을 사용할 때에는 문제가 없지만, Blackmagic RAW로 촬영하는 경우에는 너무 심하게 압축이 이루어진 나머지 화질이 떨어질 수 있습니다. 영상 촬영에 더 많은 데이터가 필요한 상황에서 코덱이 특정 데이터 레이트를 유지하기 위해 파일을 너무 많이 압축해버리는 일이 생길 수 있기 때문입니다. 화질이 손실이 있을 수 있다는 걸 알지만, 실제로 그런지는 촬영을 끝내고 돌아와 확인할 때까지 확실히 알 수 없습니다.

이 문제를 해결하기 위해 Blackmagic RAW는 균일 화질이라는 대안을 제공합니다. 전문적인 용어로 가변 비트레이트 코덱이라 불리는 이 코덱은 영상이 추가 데이터가 필요할 경우 파일 크기를 증가시키는 기능을 제공합니다. 영상의 화질을 유지하기 위해 인코딩 시 파일 크기의 상한치를 제한하지 않습니다.

따라서, 균일 화질 설정을 적용한 Blackmagic RAW는 필요한 만큼 파일 크기를 늘려 영상을 인코딩합니다. 이는 촬영하는 영상의 종류에 따라 파일의 크기는 더 클 수도, 작을 수도 있다는 것을 뜻합니다. 아마 렌즈 커버를 씌워놓은 채로 촬영을 하는 일이 발생해도 미디어 저장 공간을 전처럼 낭비하지 않아 더 좋을 것입니다!

또한, Blackmagic RAW의 화질 설정명을 혼란스러운 이름 대신 기술적으로 연관된 이름으로 표기하여 사용자가 더 편리하게 인식할 수 있습니다. 예를 들어, 고정 비트레이트 코덱을 선택하면 설정에서 3:1, 5:1, 8:1 그리고 12:1의 화질 옵션을 볼 수 있습니다. 이는 무압축 RAW 파일 크기 대비 Blackmagic RAW로 촬영한 파일 크기의 비율을 나타냅니다. 예를 들어, 파일 크기가 큰 3:1 포맷을 사용하면 더 나은 화질을 얻을 수 있고, 반대로 파일 크기가 가장 작은 12:1 포맷을 사용하면 가장 낮은 화질을 얻게 됩니다. 현재까지 Blackmagic RAW를 이용한 많은 사용자들은 12:1 포맷으로도 충분한 화질을 얻을 수 있으며 화질에 만족한다고 답했습니다. 그러나 사용자 본인이 직접 사용하며 여러 설정을 직접 시험해보는 것을 권장합니다.

균일 화질로 Blackmagic RAW를 사용 시, 설정에서 Q0와 Q5를 확인할 수 있습니다. 이는 코덱으로 전송되는 압축률의 파라미터 설정을 뜻하며, 어느 정도의 압축률이 적용되었는지 좀 더 기술적으로 확인할 수 있습니다. 고정 비트레이트와 균일 화질에서의 코덱 작동 방식이 다르다 보니 서로 다른 설정이 적용됩니다. 균일 화질 설정의 경우, 촬영 영상의 종류에 따라 파일의 압축률이 제각각이다 보니 파일 크기를 예측하는 것이 어렵습니다. 따라서, 이 경우에는 다른 설정을 적용하여 미디어 저장에 필요한 용량에 맞추어 파일 크기를 조정하게 됩니다.

고정 비트레이트 설정

압축률은 3:1, 5:1, 8:1 그리고 12:1의 수치로 표기하였습니다. 예를 들어 12:1 압축률을 적용하여 제작한 영상 파일의 크기는 무압축 RAW 포맷의 12분의 1에 달합니다.

균일 화질 설정

Q0와 Q5는 양자화의 정도를 뜻합니다. Q5에는 더 높은 양자화 수치와 향상된 데이터 레이트가 포함되어 있습니다. 앞에서 말했듯이 균일 화질 설정의 경우, 촬영 영상의 종류에 따라 파일 크기를 대폭 증가시키거나 축소시킬 수 있습니다. 따라서 촬영한 파일의 크기를 미디어 카드의 한도 이상으로 증가시킬 수 있으며, 이 경우 드롭 프레임 현상으로 이어질 수도 있습니다. 그러나 이 설정의 장점은 드롭 프레임 현상이 발생하는지를 촬영 도중 곧바로 확인한 후 설정에 따른 화질의 결과를 비교할 수 있다는 점입니다.

Blackmagic RAW 플레이어

Blackmagic 카메라 소프트웨어 설치 프로그램에 포함되어 있는 Blackmagic RAW 플레이어를 사용하여 간단하게 클립을 검토할 수 있습니다. Blackmagic RAW 파일을 더블 클릭하여 열면 풀 해상도와 비트 심도로 파일을 신속하게 재생하고 스크롤 해볼 수 있습니다.

프레임을 디코딩할 경우, SDK 라이브러리에 포함된 CPU 가속화 기능은 모든 아키텍처를 지원하며, Apple Metal, Nvidia CUDA 그리고 OpenCL을 통한 GPU 가속화 또한 지원합니다. 또한, 추가적인 성능 향상을 위해 Blackmagic eGPU와 함께 사용할 수 있습니다. Blackmagic RAW 플레이어는 Mac 및 Windows, Linux에서 지원됩니다.

사이드카 파일

Blackmagic RAW 사이드카 파일을 사용하여 원본 파일에 임베드된 메타데이터를 덮어쓰지 않고도 파일의 메타데이터를 재설정할 수 있습니다. 메타데이터는 Blackmagic RAW 설정뿐 아니라 조리개, 포커스, 초점거리, 화이트 밸런스, 틸트, 컬러 스페이스, 프로젝트명, 테이크 번호 등의 정보를 포함합니다. 메타데이터는 클립의 프레임별로 인코딩되며, 이는 촬영 도중 렌즈 설정을 변경할 경우 렌즈 데이터와 관련하여 중요한 부분입니다. DaVinci Resolve를 통해 사이드카 파일의 메타데이터를 추가하거나 편집할 수 있습니다. 이 파일은 보고 읽을 수 있는 포맷을 사용하여 심지어 문서 편집기로도 똑같은 작업을 수행할 수 있습니다.

그리고 사이드카 파일을 해당 Blackmagic RAW 파일과 동일한 폴더로 옮기면, 새로운 Blackmagic RAW 설정을 클립 재생에 적용할 수 있습니다. 해당 폴더 바깥으로 사이드카 파일을 옮긴 다음 Blackmagic RAW 파일을 다시 열면, 새로운 설정을 적용하지 않은 원본 촬영 영상을 그대로 볼 수 있습니다.

Blackmagic RAW SDK를 사용하는 모든 소프트웨어에서 이 설정을 사용할 수 있습니다. 변경된 설정 사항은 사이드카 파일에 저장되어 Blackmagic RAW 플레이어에서 보거나, Blackmagic RAW 파일을 읽을 수 있는 다른 소프트웨어에서 확인할 수 있습니다.

비디오 감마 촬영 시, 파일은 필름 감마 형식을 유지하며, 메타데이터가 Blackmagic RAW 처리 단계에서 비디오 감마 포맷으로 디스플레이 하도록 명령합니다. 비디오 감마는 색보정 작업을 거치지 않고 최대한 신속하게 영상을 완성하고 싶을 때 최적인 방식입니다. 영상의 블랙을 올리거나 화이트를 내려도 모든 디테일이 유지됩니다. 또한, 영상에 클리핑 현상이 발생하지 않으며 모든 디테일이 유지되어 원할 때 언제든지 확인할 수 있습니다.

DaVinci Resolve에서의 Blackmagic RAW

각 Blackmagic RAW 파일의 설정은 변경 가능하며, DaVinci Resolve의 'Camera RAW' 탭에서 새로운 사이드카 파일로 저장하여 창의적인 특수 효과 및 화면 최적화를 위해 사용할 수 있습니다. 이는 또한, 미디어를 복사하여 다른 DaVinci Resolve 아티스트에게 전달하면, 아티스트가 미디어를 불러올 때 사용자가 변경한 감마 설정을 자동으로 확인 및 변경할 수 있다는 점을 의미합니다. DaVinci Resolve는 카메라 파일의 여러 메타데이터 항목뿐 아니라, 현재 선택된 다이내믹 레인지를 읽을 수 있으며, 이는 재생 중인 클립 화면 위에 Film, Extended Video 또는 Video로 표시됩니다.

그런 다음에 채도, 콘트라스트, 미드포인트, 하이라이트, 새도우 롤 오프 등의 설정을 사용자에 맞게 조정할 수 있습니다. 변경된 설정 정보는 모두 사이드카 파일에 저장되며 후반 제작에 참여한 누구나 해당 변경 사항을 확인할 수 있습니다. 항상 원본 카메라 메타데이터로 돌아올 수 있습니다.

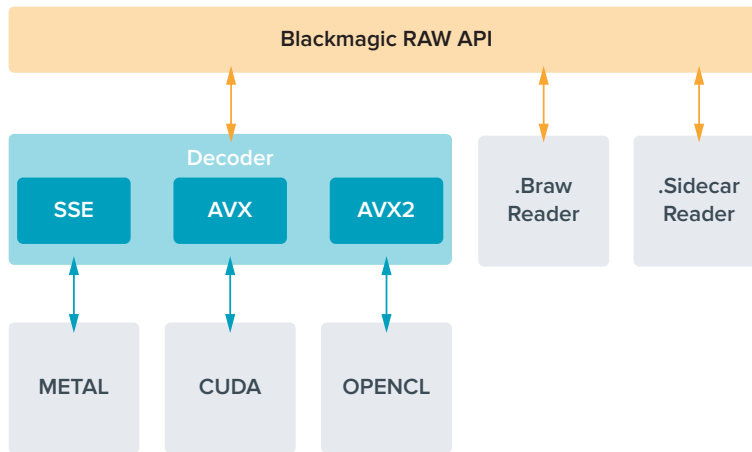
모든 설정 변경, 메타데이터, 풀 해상도 및 색상 정보가 담긴 단일 Blackmagic RAW 프레임을 DaVinci Resolve의 'Camera RAW' 탭을 통해 보내기 할 수 있어 단일 프레임이나 레퍼런스 파일을 다른 사용자와 손쉽게 공유할 수 있습니다.

DaVinci Resolve에서의 Blackmagic RAW 사용법에 대한 자세한 정보는 본 설명서의 [DaVinci Resolve 사용하기] 부분을 참고하세요.

Blackmagic RAW 소프트웨어 개발 도구

Blackmagic RAW 소프트웨어 개발 도구는 Blackmagic Design에서 자체 개발한 API입니다. Blackmagic RAW SDK를 사용하여 자신만의 앱을 만들어 Blackmagic RAW 포맷을 사용할 수 있습니다. 이 SDK 라이브러리를 사용해 모든 개발자가 Blackmagic RAW 파일의 읽기, 편집, 저장 기능을 추가할 수 있습니다. Blackmagic RAW SDK는 모든 4세대 컬러 사이언스를 탑재하고 있어, 이를 지원하는 모든 소프트웨어에서 진정한 시네마틱한 영상을 구현할 수 있습니다. Blackmagic RAW SDK는 Mac, Windows 및 Linux에서 사용 가능하며 Blackmagic 웹사이트의 개발자 페이지 (www.blackmagicdesign.com/kr/developer)에서 무료로 다운로드할 수 있습니다.

다음 도면을 통해 Blackmagic RAW API의 구성 요소를 확인할 수 있습니다.



최대 센서 프레임 레이트

Blackmagic Pocket Cinema Camera 6K의 최대 센서 프레임 레이트

	해상도	코덱	센서 스캔	최대 프레임 레이트
6K	6144 x 3456	Blackmagic RAW	풀	50
6K 2,4:1	6144 x 2560	Blackmagic RAW	윈도우	60
5,7K 17:9	5744 x 3024	Blackmagic RAW	윈도우	60
4K DCI	4096 x 2160	ProRes 422 HQ	5.7K에서 축소	60
	4096 x 2160	ProRes 422	5.7K에서 축소	60
	4096 x 2160	ProRes 422 LT	5.7K에서 축소	60
	4096 x 2160	ProRes 422 Proxy	5.7K에서 축소	60
UHD	3840 x 2160	ProRes 422 HQ	풀 센서에서 축소	50
	3840 x 2160	ProRes 422	풀 센서에서 축소	50
	3840 x 2160	ProRes 422 LT	풀 센서에서 축소	50
	3840 x 2160	ProRes 422 Proxy	풀 센서에서 축소	50
	3840 x 2160	ProRes 422 HQ	5.7K에서 축소	60
	3840 x 2160	ProRes 422	5.7K에서 축소	60
	3840 x 2160	ProRes 422 LT	5.7K에서 축소	60
	3840 x 2160	ProRes 422 Proxy	5.7K에서 축소	60
3,7K 애너모픽	3728 x 3104	Blackmagic RAW	윈도우	60
2,8K 17:9	2868 x 1512	Blackmagic RAW	윈도우	120

	해상도	코덱	센서 스캔	최대 프레임 레이트
HD	1920 x 1080	ProRes 422 HQ	풀 센서에서 축소	50
	1920 x 1080	ProRes 422	풀 센서에서 축소	50
	1920 x 1080	ProRes 422 LT	풀 센서에서 축소	50
	1920 x 1080	ProRes 422 Proxy	풀 센서에서 축소	50
	1920 x 1080	ProRes 422 HQ	5.7K에서 축소	60
	1920 x 1080	ProRes 422	5.7K에서 축소	60
	1920 x 1080	ProRes 422 LT	5.7K에서 축소	60
	1920 x 1080	ProRes 422 Proxy	5.7K에서 축소	60
	1920 x 1080	ProRes 422 HQ	2.7K에서 축소	120
	1920 x 1080	ProRes 422	2.7K에서 축소	120
	1920 x 1080	ProRes 422 LT	2.7K에서 축소	120
	1920 x 1080	ProRes 422 Proxy	2.7K에서 축소	120

Blackmagic Pocket Cinema Camera 4K의 최대 센서 프레임 레이트

	해상도	코덱	센서 스캔	최대 프레임 레이트
4K DCI	4096 x 2160	Blackmagic RAW	풀	60
	4096 x 2160	ProRes 422 HQ	풀	60
	4096 x 2160	ProRes 422	풀	60
	4096 x 2160	ProRes 422 LT	풀	60
	4096 x 2160	ProRes 422 Proxy	풀	60
4K 2,4:1	4096 x 1712	Blackmagic RAW	윈도우	75
UHD	3840 x 2160	Blackmagic RAW	윈도우	60
	3840 x 2160	ProRes 422 HQ	윈도우	60
	3840 x 2160	ProRes 422	윈도우	60
	3840 x 2160	ProRes 422 LT	윈도우	60
	3840 x 2160	ProRes 422 Proxy	윈도우	60
2.8K 애너모픽	2880 x 2160	Blackmagic RAW	윈도우	80
2.6K 16:9	2688 x 1512	Blackmagic RAW	윈도우	120
HD	1920 x 1080	ProRes 422 HQ	풀 센서에서 축소	60
	1920 x 1080	ProRes 422	풀 센서에서 축소	60
	1920 x 1080	ProRes 422 LT	풀 센서에서 축소	60
	1920 x 1080	ProRes 422 Proxy	풀 센서에서 축소	60
	1920 x 1080	ProRes 422 HQ	2.6K에서 축소	120
	1920 x 1080	ProRes 422	2.6K에서 축소	120
	1920 x 1080	ProRes 422 LT	2.6K에서 축소	120
	1920 x 1080	ProRes 422 Proxy	2.6K에서 축소	120
	1920 x 1080	Blackmagic RAW	윈도우	120
	1920 x 1080	ProRes 422 HQ	윈도우	120
	1920 x 1080	ProRes 422	윈도우	120
	1920 x 1080	ProRes 422 LT	윈도우	120
	1920 x 1080	ProRes 422 Proxy	윈도우	120

참고 2.6K 16:9 포맷을 선택하면 슈퍼 16mm 렌즈 및 높은 프레임 레이트로 촬영 시 최적화된 센서 영역을 활용할 수 있습니다.

녹화 시간

다음 표는 포맷, 프로젝트 프레임 레이트, 미디어 크기에 따른 녹화 시간을 분/초 단위로 보여주는 표입니다. Pocket Cinema Camera 6K와 Pocket Cinema Camera 4K에서 사용할 수 있는 해상도와 코덱은 모델마다 차이가 있다는 점을 기억하세요.

사용 중인 저장 미디어의 최대 녹화 가능 시간은 CFast 카드나 SD 카드 또는 USB-C 플래시 디스크의 데이터 용량과, 선택한 녹화 포맷 및 프레임 레이트에 따라 달라집니다. 예를 들어, 3840 x 2160 해상도의 영상을 Apple ProRes 422 HQ로 녹화 시, 저장 속도는 초당 약 880Mb입니다. 256GB 용량의 CFast 2.0 카드를 사용하여 초당 24 프레임으로 촬영 시, 약 47분 동안 녹화할 수 있습니다. 같은 설정에서 128GB 용량의 CFast 카드를 사용할 경우에는 약 23분간 녹화할 수 있습니다. 이는 256GB CFast 카드를 사용할 때의 녹화 가능 시간과 비교하면 약 절반에 해당합니다.

저장 미디어의 녹화 가능 시간은 제조사에 따라 약간씩 다를 수 있다는 점을 기억하세요. 저장 미디어 포맷 시 exFAT 또는 Mac OS X 확장 포맷 중 어느 것을 선택했는지에 따라 달라질 수도 있습니다.

디테일이 많지 않은 간단한 장면은 합성을 많이 사용한 장면에 비해 적은 데이터 공간을 차지합니다. 아래 표에 제시된 측정값은 아주 복잡한 샷을 촬영하는 경우를 가정한 것으로, 촬영 특성에 따라 제시된 시간보다 녹화 가능 시간이 약간 더 길 수도 있습니다.

6K					
CFast 카드	프레임 레이트	Blackmagic RAW 3:1	Blackmagic RAW 5:1	Blackmagic RAW 8:1	Blackmagic RAW 12:1
		녹화 가능 시간	녹화 가능 시간	녹화 가능 시간	녹화 가능 시간
256GB	23.98	17분	28분	45분	67분
	24	17분	28분	45분	67분
	25	16분	27분	43분	64분
	30	13분	22분	36분	54분
	50	8분	13분	21분	32분

6K 2.4:1					
CFast 카드	프레임 레이트	Blackmagic RAW 3:1	Blackmagic RAW 5:1	Blackmagic RAW 8:1	Blackmagic RAW 12:1
		녹화 가능 시간	녹화 가능 시간	녹화 가능 시간	녹화 가능 시간
256GB	23.98	23분	38분	60분	91분
	24	22분	38분	60분	91분
	25	21분	36분	58분	87분
	30	18분	30분	48분	72분
	50	11분	18분	29분	43분
	60	9분	15분	24분	36분

5.7K 17:9					
CFast 카드	프레임 레이트	Blackmagic RAW 3:1	Blackmagic RAW 5:1	Blackmagic RAW 8:1	Blackmagic RAW 12:1
256GB		녹화 가능 시간	녹화 가능 시간	녹화 가능 시간	녹화 가능 시간
	23.98	20분	34분	55분	82분
	24	20분	34분	55분	82분
	25	19분	33분	52분	79분
	30	16분	27분	44분	66분
	50	10분	16분	26분	39분
	60	8분	13분	22분	33분

4K DCI									
CFast 카드	프레임 레이트	Blackmagic RAW 3:1	Blackmagic RAW 5:1	Blackmagic RAW 8:1	Blackmagic RAW 12:1	ProRes 422 HQ	ProRes 422	ProRes 422 LT	ProRes 422 Proxy
256GB		녹화 가능 시간	녹화 가능 시간	녹화 가능 시간	녹화 가능 시간	녹화 가능 시간	녹화 가능 시간	녹화 가능 시간	녹화 가능 시간
	23.98	39분	65분	104분	155분	44분	66분	95분	216분
	24	39분	65분	103분	155분	44분	66분	95분	216분
	25	37분	62분	99분	149분	42분	64분	91분	207분
	30	31분	52분	83분	124분	35분	53분	76분	173분
	50	18분	31분	49분	74분	21분	32분	45분	104분
	60	15분	26분	41분	62분	17분	26분	38분	87분

4K 2.4:1					
CFast 카드	프레임 레이트	Blackmagic RAW 3:1	Blackmagic RAW 5:1	Blackmagic RAW 8:1	Blackmagic RAW 12:1
256GB		녹화 가능 시간	녹화 가능 시간	녹화 가능 시간	녹화 가능 시간
	23.98	50분	84분	134분	201분
	24	50분	84분	134분	201분
	25	48분	81분	129분	193분
	30	40분	67분	108분	161분
	50	24분	40분	65분	97분
	60	20분	33분	54분	81분
	80	16분	27분	43분	65분

UHD									
CFast 카드	프레임 레이트	Blackmagic RAW 3:1	Blackmagic RAW 5:1	Blackmagic RAW 8:1	Blackmagic RAW 12:1	ProRes 422 HQ	ProRes 422	ProRes 422 LT	ProRes 422 Proxy
256GB		녹화 가능 시간	녹화 가능 시간	녹화 가능 시간	녹화 가능 시간	녹화 가능 시간	녹화 가능 시간	녹화 가능 시간	녹화 가능 시간
	23.98	41분	68분	110분	164분	47분	71분	101분	230분
	24	41분	68분	109분	164분	47분	71분	101분	230분
	25	39분	66분	105분	157분	45분	68분	97분	221분
	30	33분	55분	88분	131분	38분	57분	81분	184분
	50	19분	33분	52분	79분	22분	34분	48분	111분
	60	16분	27분	44분	66분	18분	28분	40분	92분

3.7K 애너모픽					
CFast 카드	프레임 레이트	Blackmagic RAW 3:1	Blackmagic RAW 5:1	Blackmagic RAW 8:1	Blackmagic RAW 12:1
256GB		녹화 가능 시간	녹화 가능 시간	녹화 가능 시간	녹화 가능 시간
	23.98	31분	51분	82분	123분
	24	31분	51분	82분	123분
	25	29분	49분	79분	118분
	30	24분	41분	65분	98분
	50	15분	24분	39분	59분
	60	12분	20분	33분	49분

2.8K 애너모픽					
CFast 카드	프레임 레이트	Blackmagic RAW 3:1	Blackmagic RAW 5:1	Blackmagic RAW 8:1	Blackmagic RAW 12:1
256GB		녹화 가능 시간	녹화 가능 시간	녹화 가능 시간	녹화 가능 시간
	23.98	57분	95분	151분	226분
	24	57분	95분	151분	226분
	25	54분	91분	145분	217분
	30	45분	76분	121분	181분
	50	27분	45분	73분	109분
	60	22분	38분	61분	91분
	80	17분	28분	45분	68분

2.8K 17:9					
CFast 카드	프레임 레이트	Blackmagic RAW 3:1	Blackmagic RAW 5:1	Blackmagic RAW 8:1	Blackmagic RAW 12:1
256GB		녹화 가능 시간	녹화 가능 시간	녹화 가능 시간	녹화 가능 시간
	23.98	81분	136분	216분	321분
	24	81분	135분	215분	320분
	25	78분	130분	207분	308분
	30	65분	108분	173분	258분
	50	39분	65분	104분	156분
	60	32분	54분	87분	130분
	120	16분	27분	43분	65분

2.6K 16:9					
CFast 카드	프레임 레이트	Blackmagic RAW 3:1	Blackmagic RAW 5:1	Blackmagic RAW 8:1	Blackmagic RAW 12:1
256GB		녹화 가능 시간	녹화 가능 시간	녹화 가능 시간	녹화 가능 시간
	23.98	87분	144분	230분	342분
	24	87분	144분	229분	342분
	25	83분	138분	220분	328분
	30	69분	115분	184분	275분
	50	41분	69분	111분	166분
	60	34분	58분	92분	138분
	120	17분	29분	46분	69분

HD									
CFast 카드	프레임 레이트	Blackmagic RAW 3:1	Blackmagic RAW 5:1	Blackmagic RAW 8:1	Blackmagic RAW 12:1	ProRes 422 HQ	ProRes 422	ProRes 422 LT	ProRes 422 Proxy
256GB		녹화 가능 시간	녹화 가능 시간	녹화 가능 시간	녹화 가능 시간	녹화 가능 시간	녹화 가능 시간	녹화 가능 시간	녹화 가능 시간
	23.98	159분	264분	418분	619분	189분	283분	403분	877분
	24	159분	264분	418분	618분	189분	283분	403분	877분
	25	153분	253분	402분	595분	182분	271분	387분	843분
	30	127분	212분	336분	499분	152분	227분	324분	710분
	50	76분	127분	203분	303분	91분	137분	196분	434분
	60	64분	106분	170분	254분	76분	114분	163분	363분
	120	32분	54분	87분	130분	38분	57분	82분	185분

참고 Blackmagic RAW는 풀 사이즈 및 윈도우 모드의 센서를 사용하는 촬영 포맷에 적합합니다. 모든 축소 포맷 촬영은 ProRes 코덱을 선택해 주세요.

6K, 6K 2.4:1, 5.7K 17:9, 3.7K 애너모픽 및 2.8K 17:9 포맷은 오직 Pocket Cinema Camera 6K에서만 사용이 가능하며, Blackmagic RAW 코덱을 사용해야 합니다. Blackmagic Pocket Cinema Camera 6K는 4K DCI, UHD, HD 포맷에 ProRes 코덱을 사용합니다.

4K 2.4:1, 2.8K 애너모픽 및 2.6K 16:9 포맷은 오직 Pocket Cinema Camera 4K에서만 사용이 가능하며 Blackmagic RAW 코덱을 사용해야 합니다. Blackmagic Pocket Cinema Camera 4K로 4K DCI 및 UHD, HD로 촬영할 때는 Blackmagic RAW 및 ProRes 둘 다 사용 가능합니다.

Q0 및 Q5의 균일 화질로 설정하였을 때는 영상에 따라 잔여 녹화 가능 시간이 다양하게 표시됩니다. Q0의 예상 녹화 가능 시간은 고정 비트레이트 3:1과 비슷하며 Q5의 녹화 가능 시간은 12:1과 비슷합니다. 그러나 녹화 시에는 10초마다 녹화 가능 시간이 업데이트되기 때문에 20초마다 터치스크린의 미디어 구역에 나와 있는 녹화 가능 시간을 확인하는 것이 가장 좋습니다.

프레임 레이트 선택하기

촬영 시, 여러 프레임 레이트 중 어떤 것을 선택해야 최상의 결과를 얻을 수 있는지 궁금해 할 수 있습니다.

일반적으로 센서 프레임 레이트를 선택하기 전에 고려해야 하는 몇 가지 기본 사항이 있습니다. 영화 및 TV 업계에서 오랫동안 사용되어 온 표준 규격이 있습니다. 이 프레임 레이트 규격은 사용 국가마다 다르지만, 모두 효과적인 초당 프레임 수를 사용하여 실감 나는 움직임을 표현하려는 공통된 목적을 가지고 만들어졌습니다.

예를 들어, 영화에서는 초당 24프레임을 표준으로 사용하고 있습니다. 최근 이보다 빠른 프레임 레이트를 사용한 시도가 있긴 했지만, 아직 전 세계적으로 가장 널리 사용되는 표준은 초당 24 프레임입니다.

TV 프레임 레이트는 일반적으로 각 국가의 방송 기술 표준과 일치합니다. TV 방송 영상을 제작하는 경우, 북미 방송국에서는 일반적으로 초당 29.97의 프레임 레이트를 사용하고 유럽에서는 초당 25프레임을 사용합니다.

하지만 기술 발전으로 인해 방송국에서는 더욱 다양한 선택을 할 수 있게 되었고 방송 표준 또한 꾸준히 변화하고 있습니다. 요즘은 스포츠 경기를 녹화해서 높은 프레임 레이트로 방송하는 일이 보편적입니다. 예를 들어, 북미에서는 일부 스포츠 경기 장면을 녹화하여 초당 최대 59.94의 프레임 레이트로 방송하며, 유럽에서는 이를 초당 50프레임으로 방송합니다. 이러한 프레임 레이트는 빠른 액션 장면을 더욱 부드럽고 생동감 있게 연출합니다.

한편, 스트리밍 방송국과 온라인 방송국은 일반적으로 TV와 비슷한 프레임 레이트를 사용하지만, 사용자가 시청 포맷을 선택할 수 있으며 사용사의 디스플레이 한계에 맞추어 여러 프레임 레이트 사용을 시도해볼 수 있습니다.

일반적으로 프로젝트의 프레임 레이트는 딜리버리 포맷에 맞추어 선택합니다. 카메라의 프로젝트 프레임 레이트를 딜리버리 포맷에 맞게 설정하고, 센서 프레임도 이에 맞게 설정해야 합니다. 그래야 촬영 당시 실제 사건이 일어났을 때의 속도로 클립을 재생할 수 있습니다.

슬로우 모션같은 효과를 생성하려면 센서 프레임 레이트를 더욱 높게 설정하면 됩니다. 센서의 프레임 레이트가 프로젝트의 프레임 레이트보다 높을수록 재생 속도가 느려집니다.

오프스피드 센서 프레임 레이트를 사용하여 효과를 생성하는 자세한 방법은 [터치스크린 제어] 부분을 참고하세요.

트리거 녹화

Blackmagic Pocket Cinema Camera를 Blackmagic Video Assist 같은 트리거 녹화 기능을 지원하는 장비에 연결하면 녹화 시작을 위한 신호가 HDMI 출력을 통해 자동으로 전송됩니다.

다시 말해 카메라 녹화 버튼을 누르면 외장 레코더에서 녹화가 실행되며, 카메라 녹화를 중지하면 외장 레코더의 녹화가 중지됩니다. 또한 HDMI를 통해 타임코드를 출력하므로 외장 레코더에 녹화된 클립에도 카메라와 같은 타임코드가 입력됩니다.

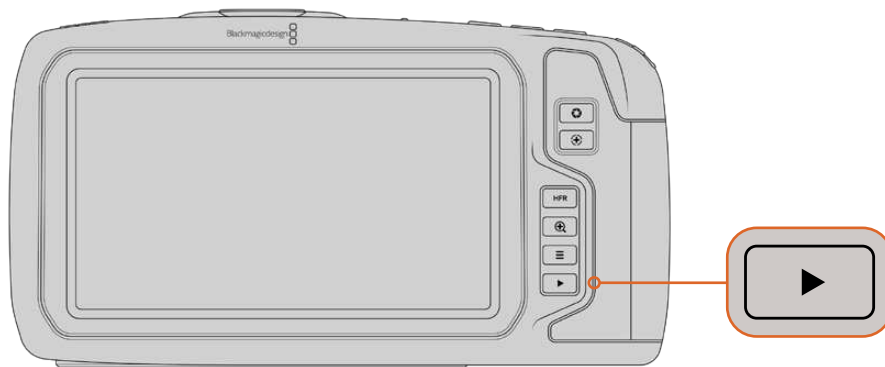
외장 레코더가 트리거 녹화 기능을 지원할 경우, 이 기능을 활성화해야 합니다. 트리거 녹화 기능을 주로 설정 메뉴에서 활성화할 수 있습니다.

재생

클립 재생하기

비디오를 녹화한 뒤, 트랜스포트 컨트롤 버튼을 사용하여 LCD로 비디오를 재생할 수 있습니다. 재생 버튼을 누르면 재생 모드로 전환됩니다. 이 버튼을 다시 누르면 마지막으로 녹화된 클립이 LCD 및, HDMI 출력으로 연결된 화면에 바로 재생됩니다. LCD에 있는 되감기 버튼 또는 빨리감기 버튼을 길게 누르고 있으면 클립이 뒤로 또는 앞으로 감깁니다. 현재 클립의 끝까지 재생 후, 재생이 멈추게 됩니다.

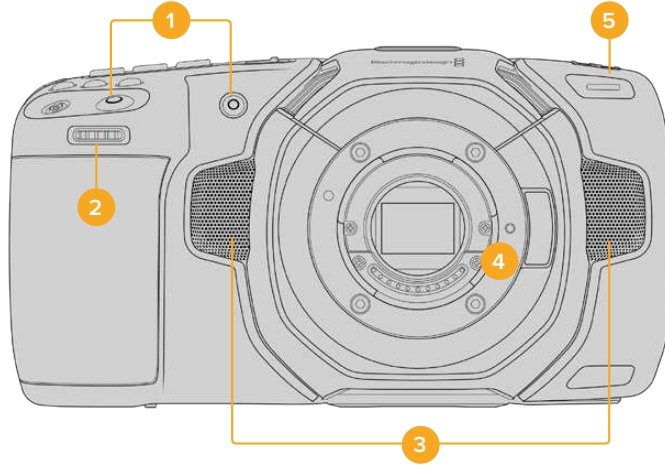
빨리감기 및 되감기 버튼을 한번 누르면 클립의 시작 혹은 끝으로 이동합니다. 되감기 버튼을 한 번 누르면 현재 재생 중인 클립의 시작 부분으로 넘어가며, 두 번 누르면 이전 클립의 시작 부분으로 넘어갑니다. 녹화 버튼을 누르면 재생이 중단되며, 터치스크린에 카메라 촬영 영상이 나타납니다.



내장된 터치스크린에서 가장 최근에 녹화한 클립을 확인하려면 트랜스포트 컨트롤에 있는 재생 버튼을 누르세요.

카메라 기능

카메라 전면부



1 녹화 버튼

녹화 버튼으로 녹화를 시작 및 중지할 수 있습니다. 셀프 모드로 촬영 시, 카메라 전면부에 위치한 녹화 버튼을 사용하면 쉽게 녹화를 시작하고 중지할 수 있습니다.

2 설정 휠

설정 휠은 카메라에 장착된 호환 렌즈의 조리개를 조절합니다. 터치스크린이 사용자를 향하도록 잡고 설정 휠을 왼쪽으로 돌리면 조리개가 열리고 오른쪽으로 돌리면 조리개가 닫힙니다. 설정 휠은 또한 화이트 밸런스 및 셔터 앵글, ISO 설정을 조절하는데 사용할 수도 있습니다. 카메라 상단에서 원하는 버튼을 누른 다음, 설정 휠을 사용하여 원하는 기능을 선택하세요. 원하는 기능을 선택한 뒤, 설정 휠을 누르면 선택 메뉴가 사라집니다.

3 스테레오 마이크

카메라에는 네 개의 고품질 스테레오 마이크가 내장되어 있습니다. 마이크 오디오 설정에 관한 자세한 정보는 [오디오 설정] 부분을 참고하세요.

4 렌즈 마운트

Blackmagic Pocket Cinema Camera 6K는 액티브 EF 렌즈 마운트를 지원하며 4K 모델은 액티브 마이크로 포서드 규격 렌즈 마운트를 지원합니다. 이는 두 모델 모두에 이미지 안정화 지원 렌즈 뿐만 아니라 자동 초점, 자동 노출을 지원하는 렌즈를 장착하여 사용할 수 있음을 의미합니다. 대부분의 액티브 렌즈에서 지원하는 이미지 안정화(IS) 기능을 사용하려면 카메라의 이미지 안정화 스위치를 ON으로 설정합니다. 사용하려는 렌즈에 이미지 안정화 스위치가 탑재되어 있는 경우, 스위치를 원하는 모드로 설정한 뒤 스틸 촬영 및 움직이는 장면 촬영에 사용할 수 있습니다. 사용하는 렌즈에 이미지 안정화 스위치가 없을 경우, 카메라 설정 메뉴에서 '이미지 안정화' 기능을 ON/OFF할 수 있습니다.

5 탈리 / 녹화 표시기

카메라 앞에 달린 작은 LED에 빨간 불이 들어오면 카메라가 녹화 중임을 나타냅니다. 탈리 라이트 표시 장치를 활성화 또는 비활성화할 수 있으며 설정 메뉴에서 그 밝기를 조절할 수 있습니다. 더 자세한 정보는 본 설명서의 [설정] 부분을 참고하세요.

카메라 우측



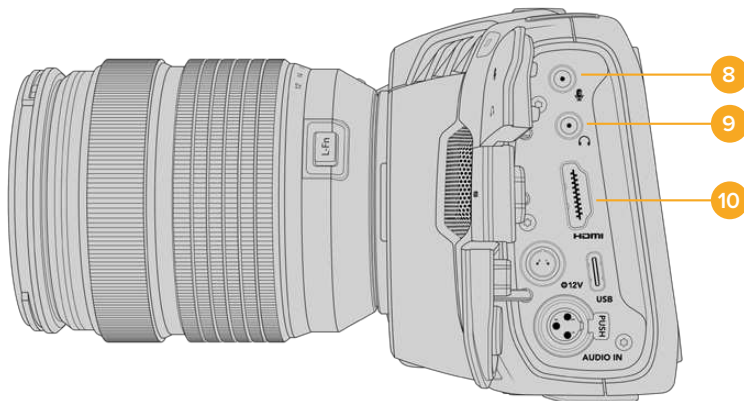
6 CFAST 카드 슬롯

녹화 및 재생을 위해 CFAST 2.0 카드를 슬롯에 삽입하세요. 자세한 정보는 [CFAST 카드] 부분을 참고하세요.

7 SD 카드 슬롯

녹화 및 재생을 위해 SD 카드를 슬롯에 삽입하세요. 자세한 정보는 [SD 카드] 부분을 참고하세요.

좌측



8 3.5mm 마이크 입력

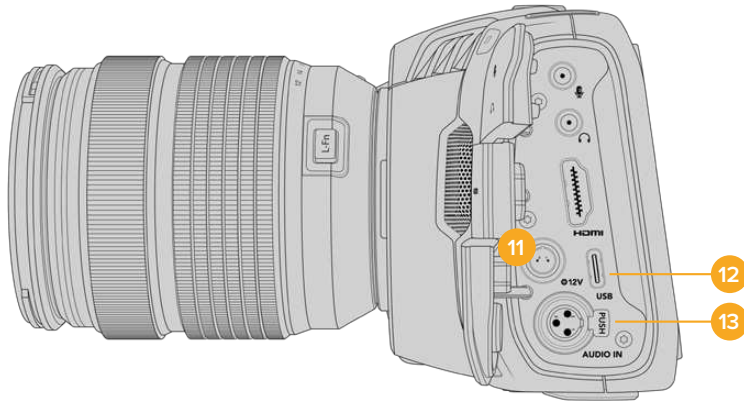
카메라의 3.5mm 스테레오 커넥터에 마이크를 연결하세요. 마이크와 라인 레벨 오디오가 지원됩니다. 마이크 레벨 오디오는 라인 레벨 오디오보다 소리가 낮기 때문에 카메라에 마이크를 연결한 상태에서 라인 레벨을 선택하면 오디오 레벨이 너무 낮아집니다. 마이크 입력은 또한 외부 소스의 왼쪽 채널에서 SMPTE 규격 LTC 타임코드를 인식합니다. 유효한 타임코드는 자동으로 감지되어 비디오 파일에 타임코드 메타데이터로 임베드됩니다. 타임코드를 오디오 트랙에 포함시켜 녹화하지 않을 경우에는 특히 라인 레벨 출력을 통한 LTC 타임코드 전송을 권장합니다.

9 헤드폰 입력

영상 촬영 또는 클립 재생 시, 헤드폰을 3.5mm 스테레오 헤드폰 잭에 연결하여 오디오를 모니터링할 수 있습니다. 헤드폰을 연결하면 스피커 출력은 음소거 상태가 됩니다.

10 HDMI 출력

풀사이즈 HDMI 커넥터는 10비트 4:2:2 1080p HD 영상을 지원하며, HDR과 두 개의 임베디드 오디오 채널을 지원합니다. 터치스크린 메뉴를 사용하여 클립 피드를 설정하거나 출력에 오버레이를 포함시키세요.



11 전원 입력

DC 잭을 통해 카메라에 전원을 공급하고 동시에 배터리를 세류 충전할 수 있습니다. 전원 어댑터를 연결할 때는 플러그를 연결잭 윗부분에 있는 홈에 맞춰 꽂은 후 밀어 넣으면 단단히 고정됩니다. 전원을 연결 해제하려면 피복을 따라 잡고 플러그를 뽑습니다.

커스텀 파워 솔루션

일부 사용자들은 Blackmagic Pocket Cinema Camera에 직접 제작한 전원 장치를 사용하기도 합니다. 자신이 직접 제작한 배터리를 장착하여 사용할 경우, 카메라에 영구적인 손상을 일으킬 수 있으므로 너무 높은 전압을 사용하지 않도록 주의하세요. Pocket Cinema Camera 운영에 요구되는 전압은 다음과 같습니다.

- 배터리 입력 연결은 6.2V에서 최대 10V까지 지원합니다.
- DC 입력은 10.8V에서 최대 20V까지 지원합니다.
- 카메라가 대기 모드이며 충전을 하고 있지 않은 경우, 16W의 전력이 필요합니다.
- LP-E6 타입의 배터리를 충전할 시에는 카메라에 30W 전력이 요구됩니다.
- 사용자가 제작한 전원 장치를 통해 카메라를 충전할 시에는 LP-E6 타입 배터리는 제거하는 것이 좋습니다.
- 배터리가 충전되지 않는 상태에서 외장 미디어와 액티브 렌즈, 최대 스크린 밝기, 최대 탈리 밝기, 높은 프레임 레이트를 사용하는 경우, Pocket Cinema Camera 6K에 요구되는 전력은 25W이며 Pocket Cinema Camera 4K에 요구되는 전력은 22W입니다.

12 USB

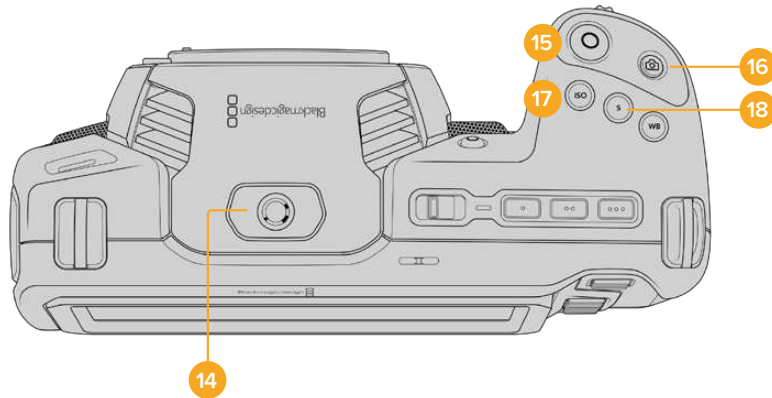
USB-C 포트를 사용하면 USB-C 플래시 디스크에 바로 녹화할 수 있습니다. 카메라 전원이 꺼지면 배터리 팩 같은 외부 전원 소스를 USB-C 포트에 연결해 충전할 수 있습니다. 카메라 내부 소프트웨어를 업데이트하려면 USB-C 포트를 통해 카메라를 컴퓨터에 연결하여 카메라 업데이트 프로그램을 실행하세요.

13 미니 XLR 마이크 입력

미니 XLR 커넥터를 사용해 외장 균형 아날로그 오디오를 연결하세요. XLR to mini XLR 어댑터 케이블을 사용하여 표준 XLR 마이크를 카메라에 연결할 수 있습니다.

미니 XLR 입력은 팬텀 파워를 지원하여 자체 전원 공급이 되지 않는 전문가용 마이크를 사용할 수 있습니다. 팬텀 파워 활성화에 관한 자세한 정보는 [오디오] 부분을 참고하세요.

상단 패널



14 1/4-20 마운팅 포인트

카메라 상단에 있는 1/4-20 마운팅 포인트를 사용하여 외장 마이크 또는 작은 카메라 액세서리를 장착할 수 있습니다.

참고 Pocket Cinema Camera 4K 상단에 있는 1/4" 마운팅 포인트에는 소형 마이크같은 무게가 가벼운 액세서리만 사용할 수 있습니다. 카메라에 무거운 렌즈를 장착한 상태에서 카메라 핸들 등의 액세서리를 상단 1/4" 마운팅 포인트에 하나 하나로 연결한다면 카메라 자체의 무게를 지탱할 수 없습니다. 이로 인해 1/4" 마운팅 포인트가 손상되는 경우에는 제품 보증 서비스를 받을 수 없습니다. 익스텐션 암에 무거운 액세서리를 장착하는 등의 행위로 인해 과도한 힘이 마운팅 포인트에 가해지지 않도록 주의하세요. 무거운 액세서리를 장착하려면 Pocket Cinema Camera 상단과 하단의 1/4" 마운팅 포인트에 맞게 제작된 카메라 케이지를 사용할 것을 권장합니다.

15 녹화

녹화 버튼을 누르면 녹화가 바로 시작됩니다. 녹화를 중단하려면 이 버튼을 다시 한 번 누르세요.

16 스틸

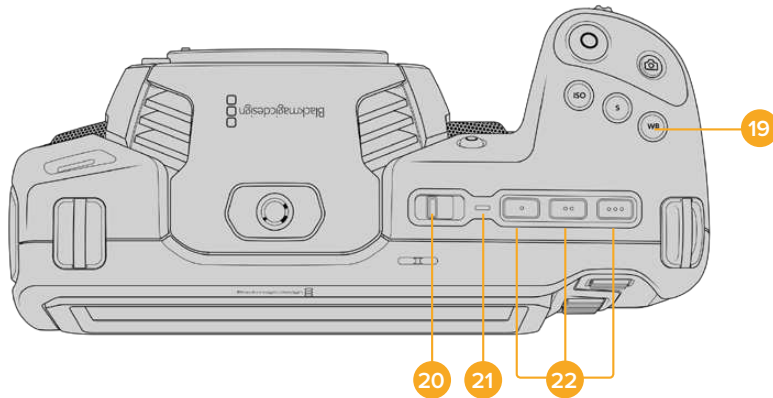
스틸 버튼을 누르면 무압축 DNG 프레임 하나가 캡처됩니다. 터치스크린 화면 오른쪽 상단 모서리에 카메라 아이콘이 나타나며 스틸 화면이 성공적으로 캡처되었음을 알려줍니다. 이미지 파일은 현재 녹화 중인 미디어의 루트 디렉터리 내 'Stills' 폴더에 저장됩니다. 비디오 클립명은 파일명 표준 방식을 따르지만 파일명 마지막 4자리, 예를 들어 'S001'는 스틸 번호를 나타냅니다.

17 ISO

ISO 버튼을 누른 다음 설정 휠을 돌리면 카메라의 ISO 설정을 조절할 수 있습니다. ISO 설정은 100에서 25,600까지 가능하며, 1/3 스탭씩 증가합니다.

18 셔터

셔터 앵글 또는 셔터 스피드를 변경하려면 셔터 버튼을 누른 다음, 설정 휠을 돌리세요. 터치스크린 화면에는 플리커 현상이 없는 셔터 옵션을 최대 3개까지 제공합니다.



19 화이트 밸런스

화이트 밸런스 버튼을 누른 다음, 설정 휠을 돌려 카메라의 화이트 밸런스를 조절하세요. WB 버튼을 3초간 누르면 자동 화이트 밸런스 화면에 빠르게 접속할 수 있습니다. 이미지 중심에 나타나는 흰색 오버레이 상자를 사용하여 자동 화이트 밸런스 기능을 사용합니다. 자세한 정보는 [터치스크린 제어] 부분을 참고하세요.

20 전원 스위치

카메라를 켜기 위한 전원 스위치로, 이 스위치를 오른쪽으로 움직이면 카메라에 전원이 들어오고 왼쪽으로 움직이면 카메라가 꺼집니다.

21 상태 표시 LED

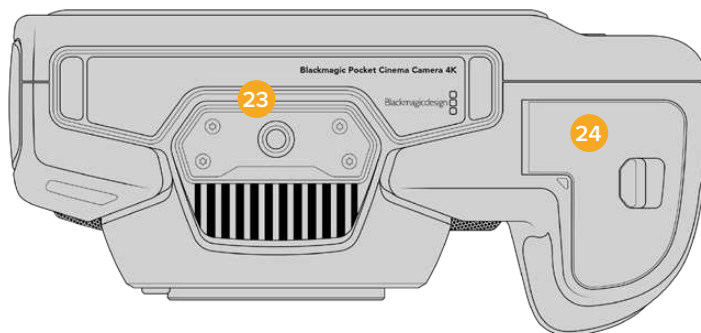
카메라를 끈 상태에서 12V DC 전원 잭 또는 USB-C 포트를 통해 외장 전원에 연결하면 상태 표시 LED에 빨간 불이 들어오며 배터리가 충전 중임을 나타냅니다.

배터리 충전이 완료되면 상태 표시 LED에 불이 꺼집니다.

22 기능 버튼

카메라의 '설정' 메뉴에서 자주 사용하는 카메라 기능을 여기에 지정할 수 있습니다. 기본 설정에 의해 첫 번째 기능 버튼에는 '풀스 컬러' 기능이, 두 번째 버튼에는 'LUT 디스플레이', 세 번째 버튼에는 '프레임 가이드' 기능이 지정되어 있습니다.

카메라 아랫면



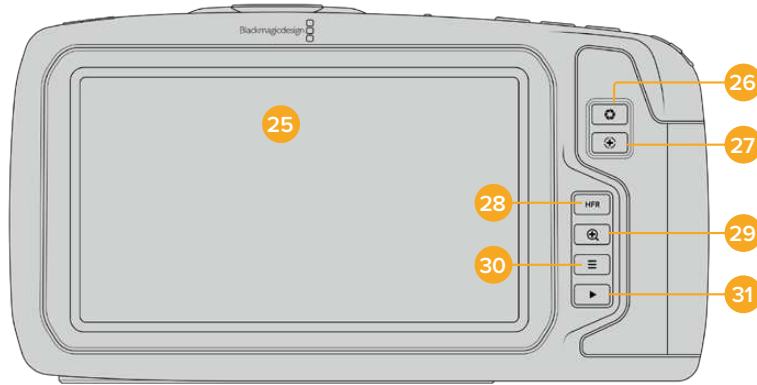
23 1/4-20 마운팅 포인트

카메라 하단 1/4-20 마운팅 포인트를 사용하여 카메라를 삼각대에 장착할 수 있습니다.

24 배터리 뚜껑

배터리 뚜껑을 렌즈 마운트 방향으로 밀면 뚜껑 열립니다. 뚜껑을 다시 누르면 딸깍하는 소리와 함께 닫힙니다.

카메라 뒷모습



25 터치스크린 화면

터치스크린 화면에서 클립의 녹화 및 재생을 모니터링할 수 있습니다. 화면을 탭하고 쓸어넘겨 카메라 설정 및 컨트롤을 조절하세요.

26 조리개 버튼

조리개 버튼을 누르면 촬영하는 쉷의 하이라이트와 새도우를 기반으로 한 평균 노출값이 적용됩니다. 설정 휠을 좌/우로 움직이거나, 터치스크린 화면에서 '조리개'를 탭하고 조리개 슬라이더를 움직여 렌즈 조리개를 수동으로 조절할 수 있습니다.

27 초점 버튼

카메라에 자동 초점이 지원되는 호환 렌즈를 사용하는 경우, 초점 버튼을 한 번 누르면 자동 초점 기능이 실행됩니다. 이미지 중심 부분에 초점을 맞추도록 기본 설정되어 있지만, LCD 화면에서 원하는 부분을 탭하여 거기에 초점을 맞출 수 있습니다. 초점 버튼을 두 번 누르면 초점이 이미지 중심으로 다시 맞춰집니다.

참고 대부분의 렌즈가 전자식 초점 조절 기능을 지원하지만 일부 렌즈는 수동 또는 자동 초점 모드로 설정할 수 있다는 점을 기억하세요. 이러한 경우에는 사용하는 렌즈에 자동 초점 모드 기능이 설정되어 있는지 확인해야 합니다.

28 HFR 버튼

HFR 버튼을 눌러 오프스피드 프레임 레이트 기능을 켜고 끌 수 있습니다. 이 기능을 사용하기 위해서는 프레임 레이트 메뉴의 '오프스피드 프레임 레이트' 항목에서 원하는 값을 간단히 선택하면 됩니다. 오프스피드 프레임 레이트 설정이 완료되면, HFR 버튼을 눌러 설정된 오프스피드 프레임 레이트와 프로젝트 프레임 레이트 간을 전환할 수 있습니다. 해당 설정은 녹화가 정지된 상태에서만 조절할 수 있다는 것을 기억하세요.

프로젝트 프레임 레이트와 오프스피드 프레임 레이트에 관한 자세한 정보는 본 설명서의 [터치스크린 제어] 부분을 참고하세요.

29 포커스 줌 버튼

포커스 줌 버튼을 누르면 1:1 픽셀 크기로 확대한 화면에서 초점을 조절할 수 있습니다. 화면을 확대할 때, 확대/축소 정도를 조절하기 위해 터치 스크린에서 '손가락 확대/축소' 기능을 사용할 수 있습니다. 자세한 정보는 본 설명서의 [손가락 확대/축소] 부분을 참고하세요. 화면이 확대되면 스크린을 드래그하여 원하는 이미지 부분을 확인할 수 있습니다. 화면을 원래 크기로 되돌리려면 포커스 줌 버튼을 다시 누르세요.

30 메뉴 버튼

메뉴 버튼을 누르면 카메라 대시보드가 나타납니다.

31 재생 버튼

재생 버튼을 누르면 재생 모드로 전환됩니다. 이 버튼을 다시 누르면 마지막으로 녹화된 클립이 LCD 및, HDMI 출력으로 연결된 화면에 바로 재생됩니다.

터치스크린 제어

터치스크린 기능

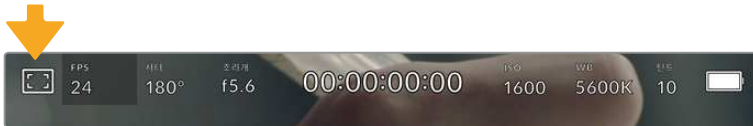
Blackmagic Pocket Cinema Camera의 LCD 터치스크린은 빠르고 직관적인 운영을 위해 제작된 터치 및 동작 기반의 인터페이스를 탑재했습니다. LCD 터치스크린을 탭하거나 쓸어 넘기면 촬영 도중 원하는 카메라 기능에 신속하게 접속할 수 있습니다.



사용하는 Blackmagic 카메라의 LCD 터치스크린을 통해 가장 많이 사용하는 카메라 설정 기능에 쉽게 접속할 수 있습니다.

LCD 모니터 옵션

카메라 터치스크린 왼쪽 상단에 있는 모니터 모양의 아이콘을 눌러 LCD 모니터링 설정에 접속하세요. 지브라와 포커스 어시스트, 프레임 가이드, 그리드 안전 영역 가이드, 폴스 컬러 등 Pocket Cinema Camera의 모니터링 기능을 켜고 끄거나, 원하는 형태로 조정할 수 있습니다. LCD 모니터 옵션에 접속하면 LCD 터치스크린 하단에 해당 기능을 위한 메뉴 탭이 나타납니다.



사용하는 카메라의 LCD 터치스크린 왼쪽 상단에 있는 아이콘을 누르면 LCD 모니터 설정 옵션에 접속할 수 있습니다.

지브라

지브라 설정을 통해 LCD 터치스크린에 나타나는 지브라를 켜고 끌 수 있을 뿐 아니라 HDMI 출력에 나타나는 지브라 레벨을 설정할 수 있습니다.

지브라 기능을 사용할 경우 영상에서 설정된 노출 수준을 초과하는 부분에 대각선 줄무늬가 나타납니다. 예를 들어, 지브라를 100%로 설정하면 완전히 과노출된 부분이 어디인지 표시합니다. 고정된 조명을 사용하는 환경에서 최적의 노출값을 얻기 위해 사용하기 유용한 기능입니다.



LCD 모니터 옵션에 접속하여 지브라 아이콘을 누르면 지브라 설정을 조절할 수 있습니다.

지브라 탭에서 화면 왼쪽 아래에 있는 스위치 아이콘을 선택하여 LCD 터치스크린의 지브라 기능을 켜고 끌 수 있습니다.

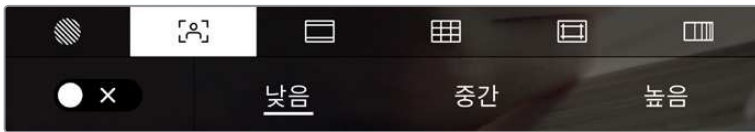
슬라이더를 좌/우로 드래그하거나 지브라 레벨 퍼센트 값 양옆에 있는 화살표 버튼을 눌러 지브라의 노출 정도를 설정하세요. 지브라 레벨은 5% 단위로 조정되며 75~100 % 노출 값 내에서 조절할 수 있습니다.

카메라의 HDMI 출력에 지브라 기능을 적용하는 방법에 대한 정보는 본 설명서의 [모니터링 설정] 부분을 참고하세요.

정보 약간 흐린 날 야외에서 촬영하는 등 다양한 조명 환경에서 촬영하는 경우, 지브라 레벨을 100 이하로 설정하면 과노출될 가능성이 있는 부분을 알 수 있습니다.

포커스 어시스트

포커스 어시스트 설정에서는 LCD 터치스크린에 나타나는 포커스 어시스트를 켜고 끌 수 있을 뿐 아니라 Blackmagic Pocket Cinema Camera의 HDMI 출력을 위한 포커스 어시스트 레벨을 설정할 수 있습니다.



LCD 모니터 옵션에 접속한 뒤 포커스 어시스트 아이콘을 누르면 카메라의 포커스 어시스트 설정을 조절할 수 있습니다.

포커스 어시스트 탭의 화면 왼쪽 하단에 있는 토글 스위치로 LCD 터치스크린의 포커스 어시스트 기능을 켜고 끌 수 있습니다.

카메라에서 HDMI 출력을 위한 포커스 어시스트 레벨을 설정하기 위해서 터치스크린 하단의 '낮음', '중간', '높음' 중에 선택하여 누릅니다.

최적의 포커스 어시스트 레벨은 촬영하는 샷마다 다릅니다. 예를 들어 배우에 초점을 맞추는 경우, 높은 레벨의 포커스 어시스트를 사용하면 얼굴 가장 자리의 디테일에 도움이 됩니다. 반면, 나뭇잎이나 벽돌의 경우 포커스 어시스트 레벨을 높게 설정하면 다소 산만한 포커스 정보가 나타날 수 있습니다.

카메라의 HDMI 출력을 위한 포커스 어시스트 기능을 활성화하는 방법에 대한 정보는 본 설명서의 [모니터링 설정] 부분을 참고하세요.

정보 Blackmagic Pocket Cinema Camera는 두 개의 포커스 어시스트 모드를 지원합니다. '모니터링' 메뉴에서 있는 '피크'와 '컬러 라인' 두 모드 중 선택할 수 있습니다. 자세한 정보는 본 설명서의 [모니터링 설정] 부분을 참고하세요.

프레임 가이드

프레임 가이드 설정을 통해 LCD 터치스크린에 나타나는 프레임 가이드를 켜고 끌 수 있습니다. 또한, 카메라의 HDMI 출력을 위한 프레임 가이드 옵션도 선택할 수 있습니다.

프레임 가이드는 다양한 시네마와 TV, 온라인 표준을 위한 종횡비를 제공합니다.



LCD 모니터 옵션에서 프레임 가이드 아이콘을 누르면 프레임 가이드 설정에 접속할 수 있습니다.

스크린 좌측 하단의 토글 스위치로 LCD 터치스크린 속 프레임 가이드를 켜고 끌 수 있습니다.

슬라이더를 좌/우로 드래그하거나 현재 선택된 종횡비 양옆에 있는 화살표 버튼을 눌러 원하는 프레임 가이드를 선택하세요. 혹은, 원하는 종횡비를 두 화살표 사이를 눌러 직접 입력할 수 있습니다.

선택 가능한 가이드는 다음과 같습니다.

2.35:1, 2.39:1, 2.40:1

위의 옵션은 넓은 와이드스크린 종횡비로 애너모픽 스크린 또는 편평한 와이드스크린 영화 상영에 사용합니다. 이 세 가지의 와이드스크린 옵션은 그동안 영화 표준이 변경됨에 따라 이를 반영하기 위해 조금씩 달라진 설정입니다. 2.39:1은 오늘날 가장 많이 사용되는 표준입니다.



2.40:1 프레임 가이드가 적용된 LCD 터치스크린의 모습

2:1

이 종횡비는 16:9보다 조금 더 넓지만, 2.35:1보다는 넓지 않습니다.

1.85:1

자주 사용되는 또 하나의 편평한 와이드스크린 시네마 종횡비입니다. 이 종횡비는 HDTV 1.78:1보다 조금 더 넓지만 2.39:1보다는 넓지 않습니다.

16:9

16:9 비율을 사용하는 HD TV 및 컴퓨터 화면과 호환하는 1.78:1 종횡비를 사용합니다. 이 종횡비는 HD 방송 및 온라인 비디오에서 가장 널리 사용되는 종횡비입니다. UHD 방송에서도 이와 동일한 종횡비를 사용합니다.

14:9

일부 TV 방송국에서 16:9와 4:3 TV 세트의 중간 형태로 사용하는 종횡비입니다. 16:9와 4:3 영상은 14:9로 센터 크로핑했을 때 가장 이상적인 화면이 나타납니다. 작업 중인 프로젝트가 14:9 크로핑을 사용하는 방송국에서 방송될 예정인 경우, 이 종횡비를 사용해 구도를 잡을 수 있습니다.

4:3

SD TV 화면과 호환하는 4:3 종횡비를 디스플레이하거나, 두 개의 애너모픽 어댑터를 사용할 때 프레임링을 돕기 위해 사용합니다.

1:1

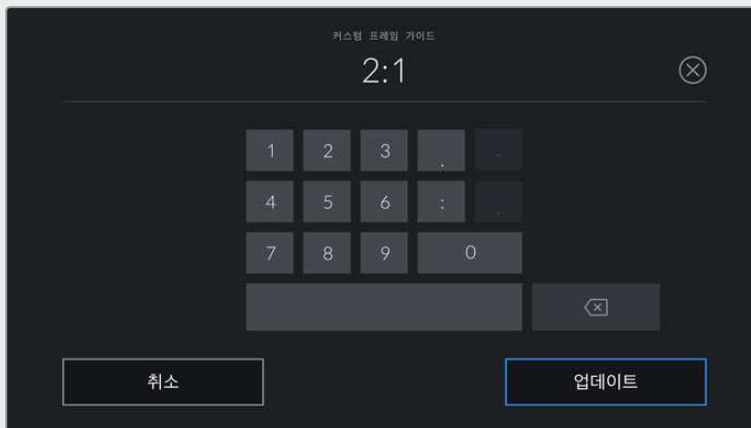
4:3 보다 약간 좁은 1:1 종횡비를 나타냅니다. 이 정사각형의 종횡비는 소셜 미디어용으로 촬영 시에 자주 사용됩니다.

4:5

4:5 종횡비를 나타냅니다. 이 세로 종횡비는 카메라를 세로로 세워 촬영하거나 혹은 영상을 스마트폰으로 시청할 때 사용하면 좋습니다.

커스텀 프레임 가이드

나만의 프레임 가이드를 설정하고 싶을 때는 두 화살표 사이에 나타나는 종횡비 숫자를 누르세요. '커스텀 프레임 가이드' 화면에서 백스페이스키를 눌러 현재 표시된 비율을 삭제한 후 키패드에서 원하는 숫자를 입력하세요. '업데이트'를 눌러 적용한 후, 촬영을 재개합니다.



커스텀 프레임 가이드에서 숫자 키패드를 사용하여 새로운 종횡비를 입력하세요.

정보 프레임 가이드 오버레이의 투명도를 변경할 수 있습니다. 자세한 정보는 본 설명서의 [모니터링 설정] 부분을 참고하세요.

참고 프레임 가이드를 카메라의 HDMI 출력에 적용하는 방법은 본 설명서의 [모니터링 설정] 부분을 참고하세요.

그리드

그리드 설정을 통해 HDMI 출력에 표시될 오버레이 설정뿐만 아니라, LCD 터치스크린에 나타나는 3분할 선 및 수평계, 십자선, 중심점을 토글할 수 있습니다.



LCD 모니터 옵션에 접속하여 그리드 아이콘을 누르면 그리드 설정을 조절할 수 있습니다.

그리드와 십자선은 영상의 구도를 잡는 데 도움을 주는 오버레이입니다. 그리드 기능을 활성화하면 LCD에 3분할 선, 십자선 또는 중심점이 나타납니다.

터치스크린에서 그리드 기능을 켜려면, '프레임 가이드' 탭에서 화면 왼쪽 아래에 있는 토글 스위치를 눌러주세요.

LCD와 HDMI 출력에 사용할 오버레이를 설정하기 위해서는 '3분할 선', '수평계', '중심점' 중 하나를 누르세요. 수평계 및 십자선, 중심점 중 하나를 3분할 선과 함께 동시에 켤 수 있습니다. 따라서 3분할 선/수평계, 혹은 3분할 선/십자선, 혹은 3분할 선/중심점 조합을 사용할 수 있습니다.



3분할 선은 모든 온스크린 프레임 가이드에 맞게 자동으로 조정됩니다.

3분할 선

3분할 선 설정 시, 이미지를 3등분하는 두 개의 가로줄과 두 개의 세로줄이 나타납니다. 3분할 선은 촬영 구도를 잡는 데 도움을 주는 아주 강력한 도구입니다. 예를 들어, 인간의 눈은 일반적으로 선이 교차하는 지점에서 일어나는 움직임에 집중되기 때문에 이러한 핵심 지점을 구도에 사용하면 촬영에 매우 유용합니다. 흔히 화면을 가로로 3등분했을 때의 맨 위 칸에 연기자의 시선을 맞추기 때문에, 이를 사용하여 화면의 구도를 잡을 수 있습니다. 3분할 선은 촬영 장면 간 구도를 일관되게 유지하는 데도 사용할 수 있는 유용한 기능입니다.

수평계

수평계의 표시선은 카메라가 좌우로 회전되거나 위아래로 기울어질 때 나타납니다. 주로 핸드헬드로 촬영 시, 수평선을 맞추는데 도움을 주며 짐벌 촬영에서 카메라 기울기를 맞추는데 유용합니다.

중앙의 검은색 십자선에서 열린 회색선이 움직이는 방향은 카메라가 기울어지는 방향을 나타냅니다. 카메라가 아래로 기울어지면 열린 회색 가로선이 위로 올라가며, 카메라가 위로 기울어지면 열린 회색 가로선이 아래로 내려갑니다.

검은색 중앙 십자선에서 열린 회색선이 움직이는 거리는 카메라가 회전되거나 기울어지는 정도와 비례합니다. 카메라의 모션 센서를 조정한 후, 카메라가 회전축에 정렬되면 세로선이 파란색으로 변하며, 카메라가 기울임 축에 정렬되면 가로선이 파란색으로 변합니다.

카메라가 오버헤드 샷 촬영을 위해 아래로 똑바로 기울어졌거나 혹은 위로 똑바로 기울어졌을 때도 수평계가 이를 감지한다는 것을 알아두세요. 카메라를 세로로 세워서 촬영 시, 두 축이 90도 방향으로 회전됩니다.

다음 표는 카메라의 기울기 및 회전을 나타내는 수평계 표시선의 예를 나타냅니다.

표시선	설명
	가로 정렬 및 세로 정렬
	가로 정렬 및 밑으로 기울어짐
	왼쪽으로 기울어짐 및 세로 정렬
	오른쪽으로 기울어짐 및 위로 기울어짐

일반적으로 표시선을 '가로 정렬 및 세로 정렬' 상태로 맞춘 후 촬영합니다. 만약, 더치앵글로 촬영 시, 수평계 표시선을 사용하여 일관된 각도로 기울여 로우/하이 샷을 촬영을 하고자 할때는 표시선을 조정하여 기울일 수 있습니다. 수평계 표시선 조정에 관한 방법은 [모션 센서 보정] 부분을 참고하세요.

십자선

십자선 설정은 프레임 중심에 십자선이 나타나는 기능입니다. 십자선은 3분할 선과 마찬가지로 구도를 잡는데 아주 유용한 도구로, 샷 안의 피사체를 프레임 정중앙에 쉽게 잡을 수 있습니다. 이 설정은 장면이 아주 빠르게 전환되는 기법으로 완성 장면을 촬영하는 데 가끔 사용됩니다. 시청자의 눈이 프레임 중앙을 계속 응시하게 되므로 흐름이 빠른 장면도 쉽게 따라갈 수 있습니다.

중심점

중심점으로 설정 시 프레임의 중앙에 점이 나타납니다. 십자선과 동일한 방식으로 작동하지만, 크기가 작아 화면을 적게 가리게 되므로 눈에 덜 거슬립니다.

정보 그리드를 HDMI 출력에 적용하는 방법은 본 설명서의 [모니터링 설정] 부분을 참고하세요.

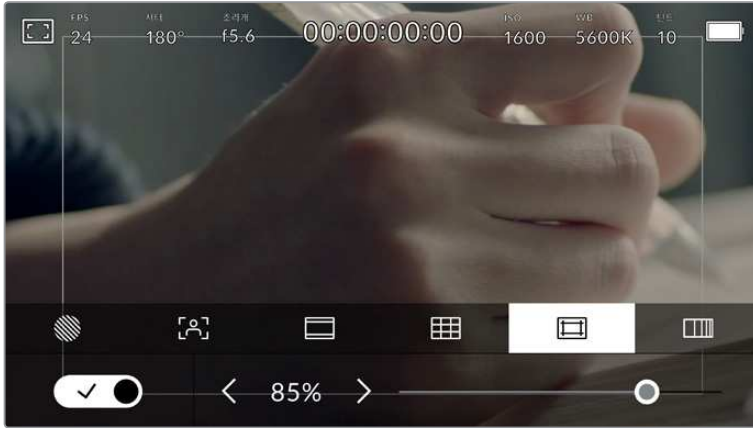
안전 영역 가이드

안전 영역 가이드 설정을 통해 LCD 터치스크린의 안전 영역을 켜고 끌 수 있을 뿐 아니라 HDMI 출력을 통해 나타나는 안전 영역의 크기를 설정할 수도 있습니다.

안전 영역은 샷의 가장 중요한 부분을 시청자들이 볼 수 있는지 확인하기 위해 방송 프로덕션에서 사용되는 기능입니다. 샷의 가장 중요한 부분을 안전 영역 중심에 배치할 경우, 일부 TV에서 영상이 크로핑되는 현상을 방지할 수 있을 뿐만 아니라 방송국에서 화면 가장자리에 버그와 뉴스 자막, 기타 오버레이를 추가할 수도 있습니다. 대부분의 방송국에서는 타이틀과 그래픽같은 중요한 정보가 삽입된 영상을 송출하는데, 이러한 정보는 대부분 안전 영역 90%로 설정한 값을 사용하여 내부에 삽입합니다.

안전 영역은 샷을 프레임링하는데도 사용됩니다. 이를 통해 후반 제작 과정에서 영상의 가장자리가 크로핑 될 수 있는 경우를 대비해, 안전한 부분을 확인할 수 있습니다. 특정 크로핑 영역을 표시하는데

사용되기도 합니다. 예를 들어, UHD 3840x2160으로 녹화하는 동안 안전 영역을 50%로 설정할 경우 1920x1080으로 크롭핑된 프레임 영상을 미리 확인할 수 있습니다. 안전 영역은 프레임 가이드에 맞는 크기로 조정됩니다. 따라서 현재 사용 중인 프레임 가이드의 비율로 설정됩니다.



85%로 설정된 안전 영역 표시

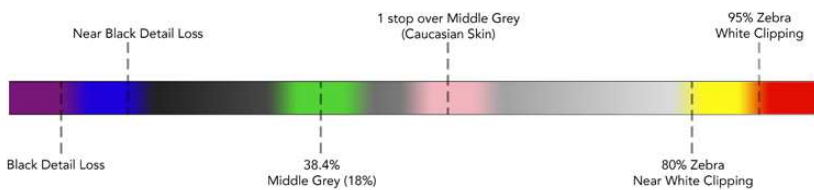
안전 영역 가이드 탭의 화면 왼쪽 아래 있는 스위치 아이콘을 선택하여 LCD 터치스크린의 안전 영역 가이드 기능을 켜고 끌 수 있습니다. 카메라의 HDMI 출력을 위한 안전 영역 가이드의 레벨을 설정하려면 터치스크린 하단의 퍼센트 수치 양옆에 있는 좌/우 화살표를 누르세요. 슬라이더를 좌/우로 드래그해 조정할 수도 있습니다.

폴스 컬러

폴스 컬러 설정을 통해 LCD 터치스크린에 나타나는 폴스 컬러의 노출 보조 기능을 켜고 끌 수 있습니다.

폴스 컬러 오버레이 기능은 이미지 위에 노출값을 나타내는 여러 가지 색상을 더하여 이미지 속 서로 다른 요소의 노출값을 확인할 수 있는 기능입니다. 예를 들어 분홍색은 백인 피부톤에 최적인 노출을, 녹색은 좀 더 어두운 피부톤에 최적인 노출을 표시합니다. 인물을 촬영할 때 폴스 컬러의 분홍색 또는 녹색 부분을 확인하면 피부톤을 위한 최적의 노출값을 지속적으로 유지할 수 있습니다.

마찬가지로, 이미지 속 피사체가 노란색에서 빨간색으로 변하면 노출값이 높다는 것을 의미합니다.



폴스 컬러 차트

폴스 컬러 탭에서 터치스크린 좌측 하단의 토글 스위치를 사용하여 LCD 터치스크린의 폴스 컬러 기능을 켜고 끌 수 있습니다.



폴스 컬러 노출 보조 탭의 모습

초당 프레임 수

FPS 표시는 현재 선택된 초당 프레임 수를 나타냅니다.



초당 프레임 표시기를 누르면 프레임 레이트 설정 창에 접속할 수 있습니다.

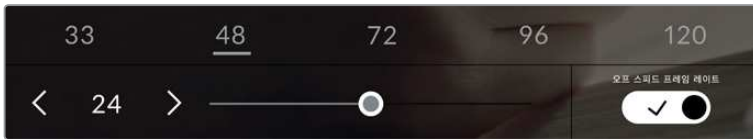
FPS 표시를 누른 뒤, LCD 터치스크린 아래의 메뉴를 통해 카메라 센서와 프로젝트 프레임 레이트를 변경할 수 있습니다.

프로젝트 프레임 레이트

프로젝트 프레임 레이트는 카메라의 녹화 포맷 프레임 레이트를 의미하며, 영화 및 TV 업계에서 널리 사용되는 다양한 프레임 레이트를 제공합니다. 프레임 레이트는 대부분의 후반 제작 워크플로에서 사용하는 속도로 설정합니다.

프로젝트 프레임 레이트 종류에는 초당 23.98, 24, 25, 29.97, 30, 50, 59.94, 60 프레임으로 총 8가지가 있습니다.

FPS 메뉴에서 카메라의 프로젝트 프레임 레이트를 조정하려면 터치스크린 아래 현재 프레임 레이트 양옆에 나타나는 좌/우 화살표를 누르세요. 슬라이더를 좌/우로 드래그해 조정할 수도 있습니다.

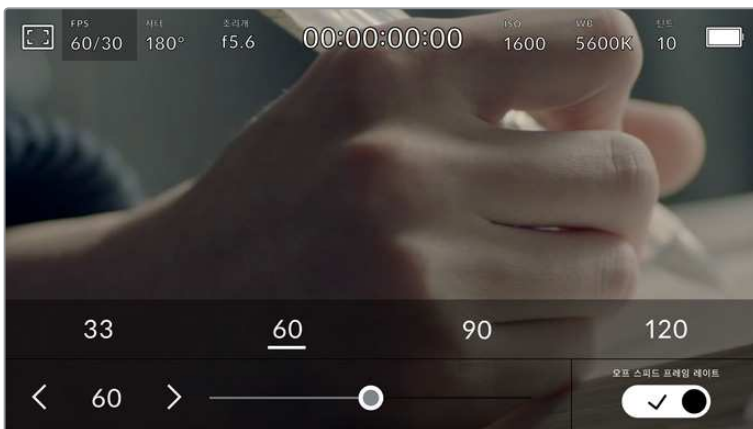


프로젝트 프레임 레이트 양옆의 좌/우 화살표를 누르거나 슬라이더를 움직여 조정할 수 있습니다.

정보 Blackmagic Pocket Cinema Camera에서 설정한 프로젝트 프레임 레이트는 HDMI 출력의 프레임 레이트에도 함께 적용됩니다.

센서 프레임 레이트

센서 프레임 레이트를 통해 초당 실제로 녹화되는 프레임 수가 설정됩니다. 이 센서 프레임 레이트는 설정된 프로젝트 프레임 레이트에 따라 영상이 얼마나 빠르게 또는 느리게 재생되는지를 나타냅니다.



오프스피드 프레임 레이트 기능을 활성화한 경우, 프리셋을 누르거나, 센서 프레임 레이트 양옆의 좌/우 화살표 또는 슬라이더를 움직여 조정할 수 있습니다.

프로젝트 프레임 레이트 및 센서 프레임 레이트는 일반적인 재생 속도에 맞게 기본 설정되어 있습니다. 하지만, 카메라 'FPS' 메뉴 오른쪽 아래에 있는 '오프스피드 프레임 레이트' 스위치 아이콘을 누르면 센서 프레임 레이트를 개별적으로 설정할 수도 있습니다.

센서 프레임 레이트를 변경하려면 터치스크린 왼쪽 아래에 있는 센서 프레임 레이트 표시 양옆의 화살표를 누르세요. 슬라이더를 좌/우로 드래그해 프레임 레이트를 높이거나 낮출 수도 있습니다. 슬라이더를 놓으면 센서 프레임 레이트가 바로 선택됩니다. 슬라이더 위에 위치한 오프스피드 프레임 레이트 값들 중 원하는 값을 눌러 설정할 수도 있습니다. 이 값들은 현재 프로젝트 프레임 레이트에 따라 달라집니다.

센서 프레임 레이트를 조절하면 영상 클립에 흥미롭고 역동적인 속도 효과를 더할 수 있습니다. 센서 프레임 레이트를 프로젝트 프레임 레이트보다 높게 설정하면 재생 시 슬로우 모션 효과가 나타납니다. 예를 들어, 60 FPS 센서 프레임 레이트로 촬영하고 24 FPS 프로젝트 프레임 레이트로 재생하면 실제 속도보다 40% 느린 속도로 영상이 재생됩니다. 반대로 센서 프레임 레이트가 낮을수록 클립의 재생 속도는 빨라집니다. 필름 카메라를 오버 크랭크 및 언더 크랭크로 촬영할 때 나타나는 효과와 유사합니다. 오버 크랭크로 촬영하면 센서 프레임 레이트가 높아져 순간을 늘리는 것과 유사하며 감정을 더욱 효과적으로 전달할 수 있습니다. 언더 크랭크로 촬영하면 센서 프레임 레이트가 낮아져 움직임이 빠른 장면 속 액션을 부각시킬 수 있습니다. 센서 프레임레이트를 사용하여 무궁무진한 창의력을 발휘해 보세요!

각 녹화 포맷과 코덱에 맞는 최대 프레임 레이트에 관한 자세한 정보는 [녹화] 부분을 참고하세요.

참고 '오프스피드 프레임 레이트'가 선택되면 오디오와 비디오는 더이상 동기화되지 않습니다. 동일한 프로젝트 및 센서 프레임 레이트로 설정되어 있어도 오디오와 비디오는 동기화가 되지 않습니다. 그러므로 오디오 동기화가 반드시 필요한 경우에는 오프스피드 프레임 레이트 선택을 해제해야 합니다.

셔터

셔터 표시는 셔터 개각도 또는 셔터 속도를 나타냅니다. 이 표시기를 눌러 카메라의 셔터값을 변경하거나 자동 노출 모드로 설정할 수 있습니다. 셔터 측정 설정에서 셔터 정보를 셔터 개각도 또는 셔터 속도로 표시할 수 있습니다. 자세한 정보는 본 설명서의 [설정] 부분을 참고하세요.



이 표시를 누르면 셔터 설정이 나타납니다.

셔터 개각도 또는 셔터 속도는 영상에 적용되는 모션 블러의 정도를 결정하며 다양한 조명 조건을 보정하기 위해 사용됩니다. 180도는 대부분의 환경에서 만족할만한 모션 블러를 캡처해낼 수 있는 최적의 셔터 개각도이며, 이에 상응하는 셔터 속도는 50분의 1초입니다. 하지만, 조명 조건이 변하거나 촬영 장면 속 움직임이 많은 경우에는 이에 맞는 개각도로 조절해야 합니다.

예를 들어, 최대 노출인 360도로 설정하면 센서가 최대 광량을 받게 됩니다. 조명이 어두운 환경에서 미묘한 움직임이 있는 장면을 촬영할 때 유용합니다. 반대로 움직임이 많은 장면을 촬영하는 경우 개각도를 90도 정도로 조금만 개방하면 최소한의 모션 블러 효과로 더욱 선명하고 깨끗한 영상을 얻을 수 있습니다. 각 셔터 개각도에 해당하는 셔터 속도는 현재 사용 중인 프레임 레이트에 따라 달라집니다.

예를 들어 초당 25프레임으로 촬영할 경우, 360도의 셔터앵글은 25분의 1초에, 90도의 셔터앵글은 100분의 1초에 해당합니다.

참고 조명 아래서 촬영하는 경우 셔터에 플리커 현상이 발생할 수 있습니다. Blackmagic Pocket Cinema Camera는 현재 설정된 프레임 레이트에서 플리커 현상이 없는 셔터 설정값을 자동으로 산출합니다. 셔터를 조절하면 터치스크린 아래에 플리커 현상이 발생하지 않는 최대 3가지의 셔터 옵션이 나타납니다. 이러한 셔터 설정값은 거주 지역의 주전력 주파수의 영향을 받게 됩니다. '설정' 메뉴에서 전력 주파수를 거주 지역에 맞게 50Hz 또는 60Hz로 설정할 수 있습니다. 자세한 정보는 본 설명서의 [설정] 부분을 참고하세요.

셔터 표시를 누르면 터치스크린 하단에 권장 셔터 설정값이 나타납니다. '자동 노출'을 OFF로 설정할 경우, '설정' 메뉴에서 선택한 주전력 주파수를 기반으로 한 플리커 현상 없는 셔터 설정값뿐만 아니라 현재 선택된 셔터 설정값이 나타납니다. 자세한 정보는 본 설명서의 [설정] 부분을 참고하세요.

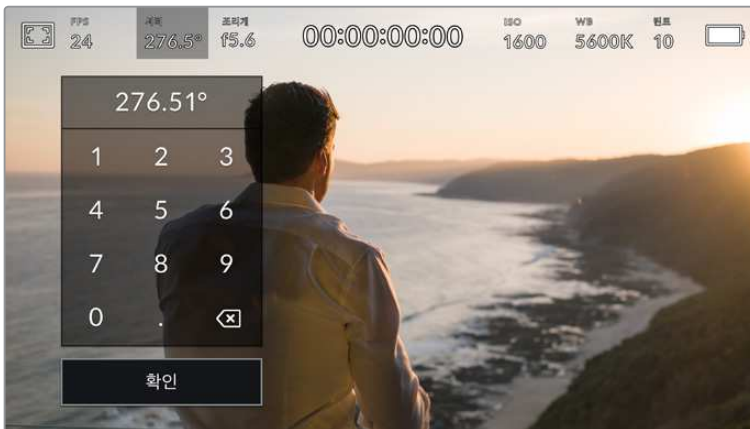
참고 개별 광원의 특성으로 인해 플리커 현상이 없는 셔터 설정값을 사용하더라도 플리커 현상이 발생할 수 있습니다. 연속 광원을 사용하지 않는 경우 촬영 전에 먼저 테스트를 거치는 것이 좋습니다.

플리커 현상이 없는 셔터값 중 하나를 선택하려면 화면에 표시된 셔터값 중 하나를 눌러주기만 하면 됩니다. 현재의 셔터값 표시 양쪽에 있는 화살표를 누르면 가장 많이 사용되는 셔터값을 확인할 수 있습니다.



설정 메뉴에서 선택한 주전력 주파수를 기반으로 플리커 현상이 없는 셔터 설정값이 제시됩니다.

야외에서 촬영하거나 플리커 현상이 없는 조명을 사용할 경우, 터치스크린 좌측 하단에서 현재 선택된 셔터 표시 장치를 두 번 눌러 수동으로 셔터 설정값을 선택할 수도 있습니다. 셔터 앵글을 선택하면 5에서 360도 사이로 원하는 각도를 입력할 수 있는 키패드가 나타납니다.



야외에서 촬영하거나 플리커 현상이 없는 조명을 사용할 경우에는 수동 셔터 키패드를 사용해 원하는 셔터 타이밍을 입력하세요.

Blackmagic Pocket Cinema Camera에는 세 종류의 자동 노출 모드가 있습니다. 이 중 하나를 선택하려면 셔터 메뉴 맨 오른쪽에 있는 '자동 노출' 버튼을 누르세요.

셔터

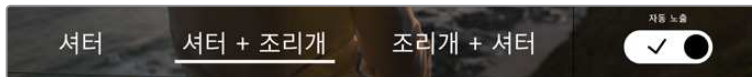
셔터 설정은 조리개를 일정하게 유지하면서 셔터 설정값을 자동으로 조정하여 노출 수준을 일정하게 유지합니다. 고정 피사계 심도를 유지하고자 할 경우에 이 설정을 선택하세요. 미미한 셔터의 자동 조절 움직임이 모션 블러에 영향을 끼칠 수도 있다는 점을 유념하시기 바랍니다. 또한 실내 촬영 시 다양한 조명 기구로 인해 플리커 현상이 발생할 수 있으니 주의하시기 바랍니다. 셔터 설정에서 '자동 노출' 모드를 선택할 경우, 자동 조리개 기능은 사용할 수 없습니다.

셔터 + 조리개

셔터를 조절한 다음, 조리개를 조절하는 방식으로 정확한 노출값을 유지합니다. 셔터 설정값을 최대한 올리거나 낮춰도 원하는 수준의 노출을 유지할 수 없을 경우, 카메라의 조리개를 조절하여 노출을 일정하게 유지합니다.

조리개 + 셔터

조리개를 조절한 다음, 셔터 속도를 조절하는 방식으로 정확한 노출값을 유지합니다. 조리개 값을 최대한 올리거나 낮춰도 원하는 수준의 노출을 유지할 수 없을 경우, 카메라에서 셔터값이 조절되어 노출을 일정하게 유지합니다.

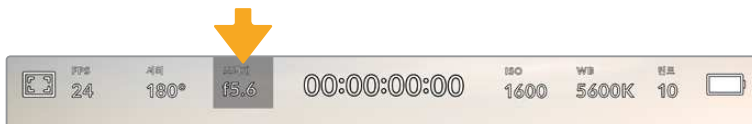


'셔터' 메뉴에서 '자동 노출' 을 누르면 셔터 기반의 자동 노출 모드로 접속할 수 있습니다.

정보 셔터 또는 조리개에 영향을 미치는 자동 노출 모드를 활성화하면 LCD 터치스크린 상단에 있는 셔터 개각도 표시 옆에 작은 'A' 표시가 나타납니다.

조리개

조리개 표시는 현재 사용 중인 렌즈 조리개값이 나타냅니다. 이 표시를 눌러 호환 렌즈의 조리개값을 변경하고 조리개 기반의 자동 노출 모드를 설정할 수 있습니다.



이 조리개 표시기를 누르면 설정이 나타납니다.

참고 LCD 터치스크린에서 조리개를 조절하려면 Blackmagic Pocket Cinema Camera에 조리개를 변경할 수 있는 렌즈가 장착되어 있어야 합니다.

'조리개' 표시를 누르면 터치스크린 아래에 조리개 메뉴가 나타납니다. 이 메뉴 맨 왼쪽에서 현재 렌즈의 조리개값을 확인할 수 있습니다. 현재 조리개값 좌/우에 있는 화살표를 누르거나, 슬라이더를 좌/우로 움직여 조리개값을 변경할 수 있습니다.



'조리개' 메뉴에서 조리개 표시 양옆의 화살표를 누르거나 슬라이더를 사용해 조리개 설정을 조정하세요.

조리개 메뉴 맨 오른쪽에 있는 '자동 노출' 스위치 아이콘을 누르면 조리개 자동 노출 메뉴가 열립니다. 이를 통해 다음과 같은 자동 노출 옵션을 사용할 수 있습니다.

조리개

이 설정은 셔터 앵글을 그대로 유지하면서 노출 수준을 일정하게 유지할 수 있도록 조리개를 자동으로 조절합니다. 모션 블러는 그대로 유지할 수 있지만, 피사계 심도에 영향을 끼칠 수도 있습니다.

조리개 + 셔터

조리개를 조절한 다음, 셔터 속도를 조절하는 방식으로 정확한 노출값을 유지합니다. 조리개 값을 최대한 올리거나 낮춰도 원하는 수준의 노출을 유지할 수 없을 경우, 카메라에서 셔터값이 조절되어 노출을 일정하게 유지합니다.

셔터 + 조리개

셔터를 조절한 다음, 조리개를 조절하는 방식으로 정확한 노출값을 유지합니다. 셔터 설정값을 최대한 올리거나 낮춰도 원하는 수준의 노출을 유지할 수 없을 경우, 카메라의 조리개를 조절하여 노출을 일정하게 유지합니다.



'조리개' 메뉴에서 '자동 노출'을 누르면 조리개 기반의 자동 노출 모드에 접속할 수 있습니다.

정보 셔터 또는 조리개에 영향을 미치는 자동 노출 모드가 활성화되어 있는 경우, LCD 터치스크린 상단에 있는 조리개 또는 셔터 표시 옆에 작은 'A' 표시가 나타납니다.

녹화 시간 표시

카메라의 LCD 터치스크린 상단에 카메라 녹화 시간이 나타납니다..



카메라 녹화 시간 표시는 녹화 중일때 빨간색으로 표시됩니다.

녹화 시간 표시는 클립의 길이를 확인하고 녹화 및 재생 시 타임코드를 모니터링할 수 있는 타임코드 측정기를 제공합니다. 타임코드 측정기는 시:분:초:프레임 순으로 나타나며, 클립의 녹화 및 재생과 함께 시간이 진행됩니다. 녹화 도중에는 타임코드가 빨간색으로 나타납니다.

녹화 시간 표시는 00:00:00:00부터 시작합니다. 현재 녹화 중인 클립 혹은 최근 녹화된 클립의 녹화 시간이 터치스크린에 표시됩니다. 후반 작업의 편의를 위해 현재 시간이 클립에 삽입됩니다.

타임코드는 녹화 시간 표시를 눌러 간단히 확인 가능합니다. 녹화 시간 표시를 다시 누르면 클립 녹화 시간으로 되돌아 갑니다.

다음과 같은 추가적인 상태 정보 표시가 녹화 시간 표시 주변에 나타납니다.



Blackmagic Pocket Cinema Camera에서 윈도우 센서 모드를 사용하는 경우, 녹화 시간 왼쪽에 정보가 표시됩니다.



타임코드 사용시, 녹화 시간 오른쪽에 타임코드가 표시 됩니다.



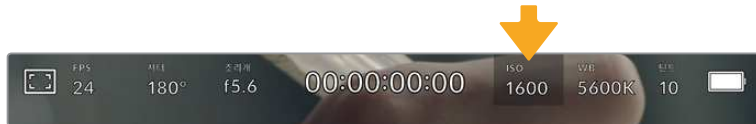
3.5mm 스테레오 입력 잭에 외부 LTC 타임코드가 연결된 경우, 녹화 시간 오른쪽에 정보가 표시됩니다.



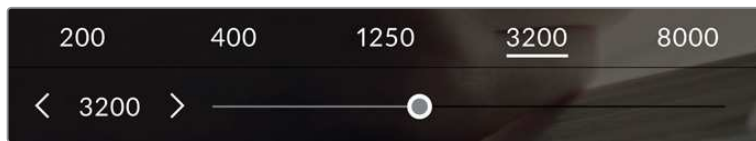
카메라에 타임코드를 복사해 사용하다가 중단하고 내부 타임코드를 사용하는 경우 녹화 시간 오른쪽에 이 표시가 나타납니다.

ISO

ISO 표시는 현재의 ISO 설정 또는 감광도를 나타냅니다. 이 표시를 눌러 ISO를 다양한 조명 조건에 맞게 조절할 수 있습니다.



ISO 표시기를 누르면 ISO 설정에 접속합니다.



ISO 메뉴에서는 LCD 터치스크린 하단에 ISO 설정이 나타납니다. 프리셋 아래 있는 슬라이더는 1/3 스탭씩 조절됩니다.

촬영 환경에 따라 ISO 설정을 좀 더 높거나 낮게 선택할 수 있습니다. 예를 들어 낮은 조명 조건에서는 ISO 25600이 적절할 수 있지만, 화면에 노이즈 현상이 발생할 수 있습니다. 밝은 조명 조건에서는 ISO 100으로 촬영하면 풍부한 색상을 얻을 수 있습니다.

듀얼 네이티브 ISO

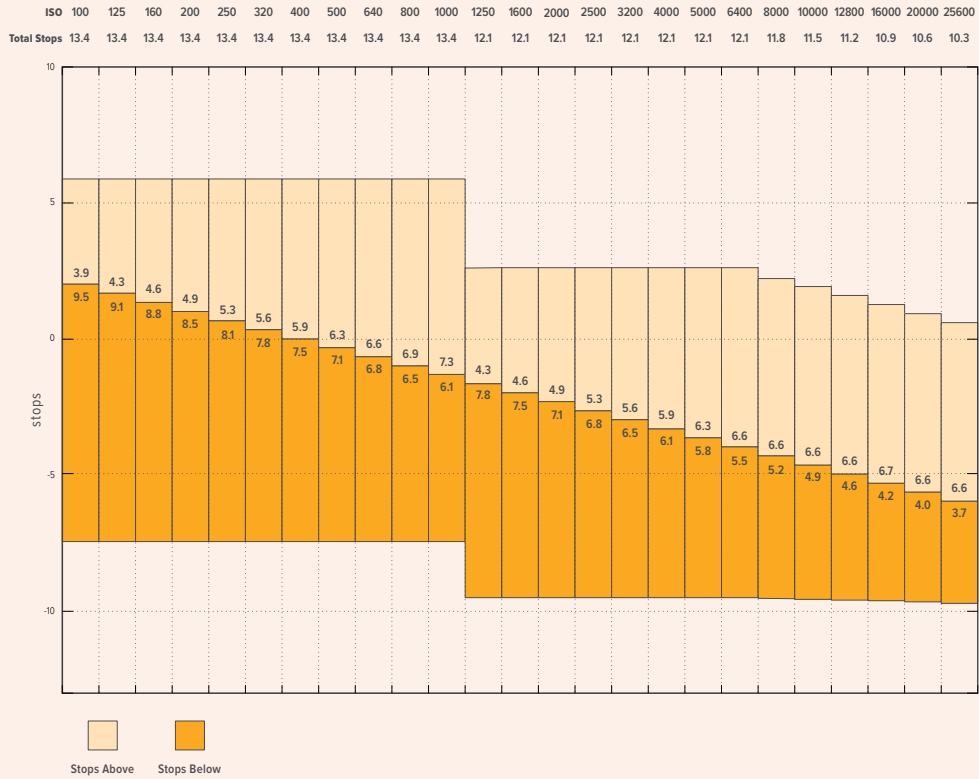
Blackmagic Pocket Cinema Camera는 400과 3200의 듀얼 네이티브 ISO를 지원하여 조명이 어둡거나 밝은 환경에서도 촬영에 최적화된 카메라 센서를 사용할 수 있습니다.

다양한 조명 조건에 맞게 ISO를 조절하면 배경에서는 듀얼 네이티브 ISO 기능이 운영되어 깨끗하고 최소한의 노이즈 현상과 높은 ISO 설정을 가진 영상을 얻을 수 있습니다.

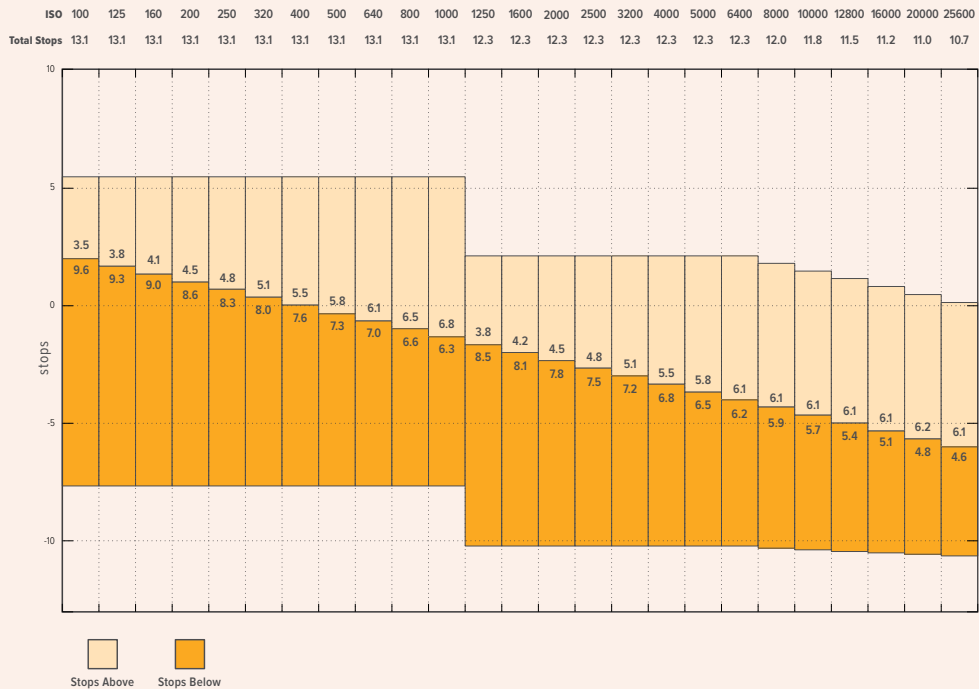
ISO 설정을 100과 1000 사이로 조절하면 네이티브 ISO 400이 기준으로 사용됩니다. 1250과 25600 사이로 설정한 ISO 값은 네이티브 ISO 3200이 기준으로 사용됩니다. ISO 값을 1000 또는 1250 둘 중 하나를 선택하여 촬영해야 하는 경우, 사용하는 렌즈의 조리개의 스탭 수 하나를 조여 ISO 1250를 선택하면 높은 네이티브 ISO를 통해 더욱 깨끗한 결과물을 얻을 수 있습니다.

아래 차트는 ISO 선택과 다이내믹 레인지가 어떻게 할당되는지 보여줍니다.

Blackmagic Pocket Cinema Camera 6K의 다이내믹 레인지



Blackmagic Pocket Cinema Camera 4K의 다이내믹 레인지



화이트 밸런스





WB와 틸트는 카메라의 현재 화이트 밸런스 및 색조를 나타냅니다. 이 표시 장치를 누르면 카메라의 화이트 밸런스 및 색조를 다양한 조명 조건에 맞게 조절할 수 있습니다.



'WB'와 '틸트' 표시를 누르면 해당 설정 페이지에 접속할 수 있습니다.

모든 광원에서는 색이 방출됩니다. 예를 들어 촛불에서는 따뜻한 색상이, 그리고 흐린 하늘에서는 차가운 색상이 방출됩니다. 화이트 밸런스 설정을 사용하여 영상의 색상 균형을 맞출 수 있으므로 영상 속 주황색과 파란색의 조합을 조절해 흰색을 그대로 유지할 수 있습니다. 예를 들면 텡스텐 조명 아래에서 촬영하면 따뜻한 주황색 광원이 방출되므로 3200K를 선택하여 블루 색상을 영상에 추가합니다. 이러한 방식으로 색상의 균형을 맞춰 정확한 흰색을 저장할 수 있습니다.

Blackmagic Pocket Cinema Camera는 다양한 색온도 환경에 맞는 화이트 밸런스 프리셋을 제공합니다. 사용 예시는 다음과 같습니다.

	밝은 자연광	(5600K)
	백열등	(3200K)
	형광등	(4000K)
	혼합광	(4500K)
	흐린 날	(6500K)

'WB' 메뉴에서 화면 하단에 색온도 표시 좌/우에 있는 화살표 아이콘을 눌러 모든 프리셋을 사용자 지정할 수 있습니다. 화살표를 한 번 누를 때마다 색온도가 50K씩 증가/감소하며, 이를 길게 누르면 더욱 빠르게 증가/감소됩니다. 화이트 밸런스 메뉴 중간에 있는 색온도 슬라이더를 움직여 조절할 수도 있습니다.

조정이 더 필요한 경우에는 틸트를 조절합니다. 이를 통해 영상 속 녹색과 심홍색의 조합이 조정됩니다. 예를 들어, 심홍색을 약간 추가하면 수많은 형광등에서 나오는 초록색을 보완할 수 있습니다. 대부분 카메라의 화이트 밸런스 프리셋에는 약간의 틸트가 포함되어 있습니다.



카메라의 화이트 밸런스 및 틸트 표시기를 누르면 5종류의 프리셋이 나타나며 화면 왼쪽에는 화이트 밸런스 표시기와 슬라이더가, 오른쪽에는 틸트 표시기가 나타납니다. 이를 조절해 사용 중인 조명 조건에 맞는 자신만의 화이트 밸런스를 설정하세요.

화이트 밸런스 메뉴에서는 카메라의 현재 색조 설정이 화면 우측 하단에 나타납니다. 색조를 조절하려면 색조 표시 좌/우에 있는 화살표를 간단히 한 번씩 또는 길게 누르세요. 설정 범위는 -50에서 +50사이로 한 단위씩 증가합니다. 화살표를 길게 눌러 빠르게 조절할 수 있습니다.

참고 화이트 밸런스나 색조를 사용자가 지정할 경우 프리셋이 CWB로 표기되는 커스텀 화이트 밸런스로 변경됩니다. 커스텀 화이트 밸런스는 계속 지속되어 전원을 껐다 켜도 CWB 설정이 그대로 유지되며, 프리셋으로 전환하였다가 다시 CWB로 돌아와도 설정이 그대로 유지됩니다. 이를 통해 최근에 사용한 프리셋과 커스텀 화이트 밸런스를 쉽게 비교할 수 있습니다.

자동 화이트 밸런스

Blackmagic Pocket Cinema Camera는 자동으로 화이트 밸런스 조절이 가능합니다. 'AWB'를 누르면 화이트 밸런스 화면이 나타납니다.

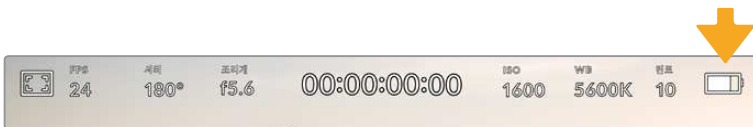
화이트 밸런스를 자동으로 설정하는 경우 영상 중앙에 사각형이 오버레이되어 나타납니다. 이 사각형을 흰색 또는 회색 카드와 같은 중립면으로 채운 뒤, '화이트 밸런스 업데이트'를 누르세요. Pocket Cinema Camera는 화이트 밸런스와 색조값을 자동으로 조절하므로 화이트 밸런스 상자 안에 있는 흰색 또는 회색 평균값이 최대한 중간으로 유지됩니다. 업데이트가 끝나면 이 설정이 카메라의 커스텀 화이트 밸런스로 설정됩니다. 카메라 위에 있는 WB 버튼을 3초간 누르고 있으면 자동 화이트 밸런스 기능이 선택되고 '화이트 밸런스 업데이트' 버튼이 활성화됩니다.



화이트 밸런스 메뉴에 있는 'AWB' 아이콘을 누르면 자동 화이트 밸런스 화면이 나타납니다. 흰색 또는 중립적인 회색면을 함께 사용해 자동으로 중립적인 화이트 밸런스를 설정하세요.

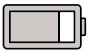
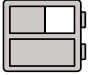
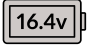
전원

카메라 전력원과 에너지 상태는 LCD 화면 상단 오른쪽에 나타납니다.



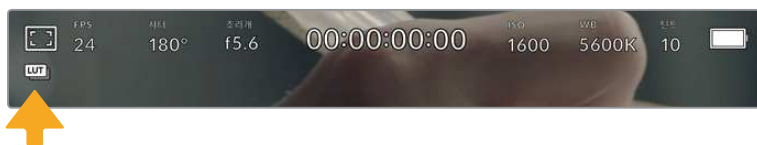
배터리 전력을 사용할 시에 전원 표시를 탭하면 배터리 디스플레이가 바뀝니다.

	AC	카메라를 메인 콘센트에 연결하면 이 표시가 나타납니다.
	AC / 충전중	카메라가 전원에 연결되어 있거나, Blackmagic Pocket Camera Battery Grip과 연결되어 분리형 LP-E6 배터리 혹은 NP-F570 배터리를 충전하고 있을 때 이 표시가 나타납니다.
	퍼센트	사용하는 배터리가 퍼센트 표시를 지원하는 경우, 배터리 아이콘은 잔여 배터리량을 퍼센트로 표시하며 1% 단위로 줄어듭니다. 배터리가 20% 남으면 배터리 바가 빨간색으로 변합니다. 퍼센트 잔량 표시를 켜거나 끄려면 배터리 아이콘을 누르세요.

	배터리 바	카메라 내장 배터리는 25%씩 줄어드는 배터리 아이콘으로 표시됩니다. 배터리가 20% 남으면 배터리 바가 빨간색으로 변합니다.
	배터리 그립 바	Blackmagic Pocket Camera Battery Grip을 카메라와 연결하여 사용 중인 경우, 이 배터리 바는 각각의 배터리 잔량 상태를 나타냅니다.
	전원 전압	이 아이콘은 플러그 팩 및 D-탭 어댑터 케이블, 커스텀 전원 기기의 DC 전원잭, 혹은 카메라 배터리에서 제공되는 전원의 전압을 표시합니다. 전압 표시를 켜거나 끄려면 배터리 아이콘을 누르세요.

LUT 표시

촬영장에서 프리뷰 도구로 LUT를 사용할 경우 LUT 아이콘이 화면 왼쪽 상단에 나타나 LUT가 현재 사용 중임을 나타냅니다.



히스토그램

카메라 터치스크린 좌측 하단에서 히스토그램을 확인할 수 있습니다. 히스토그램은 화이트와 블랙 간의 색 대비 정도를 수평 눈금으로 나타내는 그래프입니다.



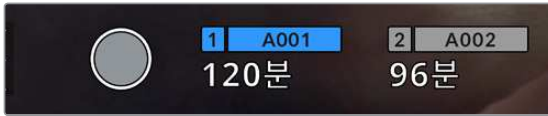
히스토그램을 통해 클립의 새도우와 하이라이트 간의 색조 범위를 확인할 수 있습니다. 또한 노출의 균형을 확인하고 하이라이트가 클리핑 되는 현상을 방지할 수 있는 유용한 도구입니다.

히스토그램의 맨 왼쪽은 새도우 또는 블랙을, 맨 오른쪽은 하이라이트 또는 화이트를 나타냅니다. 렌즈 조리개를 열고 닫으면 이에 따라 히스토그램의 정보 또한 좌/우로 움직이는 것을 볼 수 있습니다. 히스토그램으로 이미지의 새도우와 하이라이트가 클리핑 되는지 확인할 수 있습니다. 히스토그램의 좌/우 양쪽 가장자리가 서서히 떨어지지 않고 갑자기 중단되는 경우에는 하이라이트 또는 새도 디테일이 손실될 수도 있습니다.

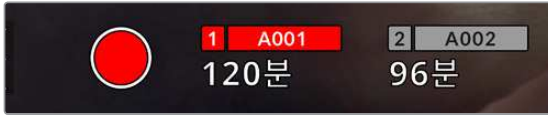
참고 터치스크린 하단에 히스토그램이 나타나지 않을 경우 LCD 모니터링 설정에서 코덱과 해상도만 표시하도록 설정되었을 수 있습니다. 자세한 정보는 본 설명서의 [모니터링 설정] 부분을 참고하세요.

녹화 버튼

Pocket Cinema Camera 터치스크린 하단에 있는 히스토그램 옆에 동그란 회색 버튼이 있습니다. 이 버튼이 바로 녹화 버튼입니다. 이 버튼을 누르면 녹화가 시작되고 다시 누르면 녹화가 정지됩니다. 녹화 도중에는 Pocket Cinema Camera 터치스크린 위에 나타나는 녹화 버튼과, 저장 미디어 표시, 타임코드가 빨간색으로 나타납니다.



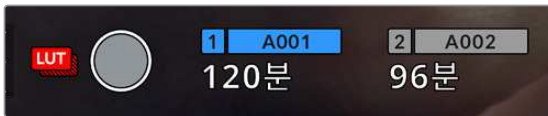
LCD 터치스크린 하단의 저장 미디어 표시기 옆에 있는 녹화 버튼



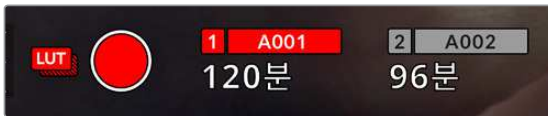
녹화 중에는 녹화 버튼이 빨간색으로 나타납니다.

클립에 LUT 적용하기

녹화 설정 탭에서 녹화 클립에 LUT 적용을 선택하면 스탠바이 모드와 녹화 중일 경우 터치스크린에는 각각 아래와 같은 화면이 나타납니다.



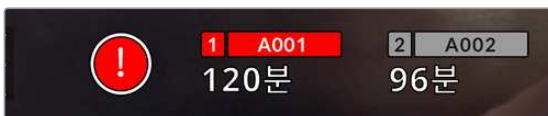
LUT 아이콘은 선택한 LUT가 클립과 함께 녹화되었음을 나타냅니다.



선택한 LUT가 클립과 함께 녹화 중일 경우 화면에 LUT 아이콘이 나타납니다.

드롭 프레임 표시

드롭 프레임 현상이 발생하면 녹화 버튼 위로 '!' 표시가 깜빡이며 나타납니다. 문제가 발생한 카드의 잔여 녹화 시간 표시도 빨간색으로 변합니다. CFast 카드에 드롭 프레임 현상이 발생할 경우 녹화 버튼 위로 [!] 표시가 깜빡이며 CFast 카드의 잔여 녹화 시간 표시도 빨간색으로 변합니다. 이는 특정 카드가 현재 선택한 코덱 및 해상도에 비해 너무 느리다는 것을 의미합니다. 이전에 녹화한 클립에서 드롭 프레임 현상이 발생한 경우에도 해당 표시가 나타납니다. 드롭 프레임 표시는 새로운 클립을 녹화하거나 카메라 전원을 다시 켜다 켜 때까지 지속됩니다. 드롭 프레임 현상을 방지하는 방법에 대한 자세한 정보는 [CFast 2.0 카드 선택하기]와 [SD 카드 선택하기] 부분을 참고하세요.

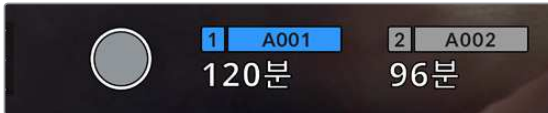


CFast 카드의 드롭 프레임 현상을 알리는 드롭 프레임 표시

참고 녹화 중 드롭 프레임 현상이 감지되면 녹화를 멈추도록 카메라에서 설정하면, 기껏 녹화한 파일을 쓸 수 없게 되는 불상사를 예방할 수 있습니다. 자세한 정보는 본 설명서의 [녹화 설정] 부분을 참고하세요.

잔여 녹화 시간

CFast 카드나 SD 카드 또는 USB-C 플래시 디스크를 카메라에 장착하면 터치스크린 아래에 나타나는 저장 미디어 표시를 통해 해당 카드의 잔여 녹화 시간을 확인할 수 있습니다. 잔여 녹화 시간은 분으로 표시되며, 선택한 프레임 레이트와 코덱에 따라 달라집니다. 이 중 하나의 설정을 변경하면 자동으로 잔여 녹화 시간을 다시 계산하여 표시합니다. 카드 또는 드라이브의 녹화 가능 시간이 약 5분 정도 남은 경우에는 잔여 녹화 시간 표시가 빨간색으로 변하고, 2분 정도 남은 경우에는 깜빡입니다. 카드 또는 드라이브의 저장 공간이 거의 다 차면 '가득참'이라는 표시가 나타납니다.



저장 미디어 표시는 CFast 카드, SD 카드, USB-C 플래시 디스크의 이름과 녹화 잔여 시간이 나타납니다.

카드 또는 드라이브 이름은 잔여 녹화 시간 표시 위에 있는 작은 바 안에도 나타납니다. 이 바가 파란색으로 변하면 카메라가 미디어에 녹화하도록 설정되었음을 보여줍니다. 다른 카드나 드라이브에 녹화하려면 해당 카드 또는 USB-C 플래시 디스크의 이름을 길게 누르세요. 녹화 중에는 바가 빨간색으로 나타납니다.

저장 미디어 표시를 누르면 저장 및 포맷 메뉴가 나타납니다.



LCD 터치스크린에 있는 저장 미디어 표시를 누르면 저장 관리 화면에 접속할 수 있습니다.

이 메뉴는 카메라에서 사용하는 각 CFast 카드, SD 카드, USB-C 플래시 디스크의 저장 공간뿐만 아니라 카드/드라이브 이름 및 마지막 녹화한 클립의 길이, 저장된 총 클립 수, 카드/드라이브 파일 포맷 정보를 제공합니다.

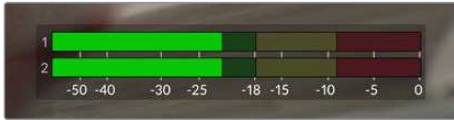
이 메뉴에서 사용하고자 하는 미디어를 포맷할 수 있습니다. 자세한 정보는 본 설명서의 [녹화용 미디어 준비하기] 부분을 참고하세요.

정보 저장 메뉴에서 카드 또는 드라이브 이름을 누르면 해당 카드 또는 드라이브가 활성화됩니다. Blackmagic Pocket Cinema Camera에서는 선택된 카드 또는 드라이브가 먼저 사용됩니다.

오디오 미터

내부 마이크를 사용하거나 외부 오디오를 카메라에 연결하면 피크 오디오 미터에 채널 1과 2의 오디오 레벨이 나타납니다. 디스플레이는 dBFS 단위로 표시되며 일정 시간 시각적으로 유지되는 피크 홀드 방식의 표시를 지원하므로 최대치에 도달하는 것을 분명하게 확인할 수 있습니다.

최적의 음질을 얻으려면 오디오 레벨이 절대 0dBFS를 넘지 않도록 해야 합니다. 이 레벨은 카메라로 녹화할 수 있는 최대치로 이 수준을 넘어갈 경우에는 오디오가 클리핑되어 왜곡됩니다.



오디오 미터의 컬러바는 피크 오디오 레벨을 나타냅니다. 피크 오디오 레벨이 녹색 부근 상단에 머무르는 것이 가장 이상적입니다. 피크 레벨이 노란색이나 빨간색 부근에 머무르는 경우 오디오가 클리핑될 가능성이 높습니다.

오디오 미터를 누르면 헤드셋 또는 스피커 볼륨뿐만 아니라 입력 채널 1과 채널 2의 볼륨을 조절할 수 있는 창이 나타납니다.



LCD 터치스크린에 있는 오디오 미터를 누르면 볼륨과 헤드셋 또는 스피커 설정에 쉽게 접속할 수 있습니다.

두 번 누르면 확대되는 화면

LCD 터치스크린을 두 번 눌러 Blackmagic Pocket Cinema Camera의 미리보기 영상 모든 부분을 확대할 수 있습니다. 화면에서 선택된 부분이 확대되며 LCD 터치스크린을 손가락으로 드래그하여 영상 여기저기를 확인할 수 있습니다. 초점을 확인할 때 굉장히 유용한 기능입니다. 카메라 터치스크린을 간단히 두 번 두드리면 표준 확대 화면으로 돌아갑니다.

손가락 확대/축소

손가락 확대/축소(Pinch to Zoom) 기능을 이용하여 LCD 화면에서 확대/축소를 조정할 수 있습니다. 본 확대/축소는 HDMI 출력에 영향을 주지 않습니다.

화면을 두 배로 확대하려면 터치스크린을 두 번 두드리거나, 카메라 뒷면의 '포커스 줌' 버튼을 누르세요. 그 다음, 손가락으로 벌리면 화면을 확대, 오므리면 화면을 축소시킬 수 있습니다. 화면에서 손가락으로 드래그하면 확대 부분을 움직일 수 있습니다. 표준 확대 크기로 돌아가려면 터치스크린을 두 번 두드리거나 '포커스 줌' 버튼을 누르세요.

터치스크린을 두 번 두드리거나 '포커스 줌' 버튼을 누르면, 이전 확대 크기와 전체 화면 사이에 전환이 가능합니다. 예를 들어, 손가락 확대/축소로 8배 확대한 후, 두 번 두드리면 다시 원래 크기로 돌아오며, 다시 두 번 두드리면 8배 확대한 크기로 돌아갑니다.

터치 포커스 기능

LCD 화면에서 이미지 속 원하는 부분을 길게 누르면 해당 부분에 렌즈 초점을 맞출 수 있습니다. 초점 버튼을 눌러 원하는 지점에 렌즈 초점을 맞추세요. 초점 버튼을 두 번 누르면 화면 중심의 초점이 다시 설정됩니다.

전체 화면 모드

샷을 구도를 잡거나 초점을 잡을 때 터치스크린의 상태 표시 및 미터를 일시적으로 숨길 수 있는 유용한 기능입니다. LCD 터치스크린을 위/아래로 쓸어 넘기면 상태 표시와 미터를 모두 한 번에 숨길 수 있습니다. 녹화 표시와 프레임 가이드, 그리드, 포커스 어시스트, 지브라는 화면에 그대로 표시됩니다.

상태 표시 및 미터를 다시 나타나게 하려면 화면을 위/아래 방향으로 쓸어 넘기세요.



LCD 터치스크린을 위/아래로 쓸어 넘겨 모든 상태 표시 장치를 숨길 수 있습니다

재생 메뉴

카메라의 재생 버튼을 누르면 재생 메뉴에 접속할 수 있습니다. 카메라 제어 버튼이나 LCD 터치스크린을 사용해 이전에 녹화한 클립을 제어할 수 있습니다.

LCD 터치스크린을 사용할 경우 재생 버튼을 누르면 영상이 재생되고, 이 버튼을 다시 누르면 일시 정지됩니다. 앞으로 감기 및 되감기 버튼을 누르면 클립의 시작 및 끝 부분으로 넘어갑니다. 앞으로 감기 버튼을 누르면 다음 클립으로 넘어갑니다. 되감기 버튼을 한 번 누르면 현재 재생 중인 클립의 시작 부분으로 넘어가며, 두 번 누르면 이전 클립의 시작 부분으로 넘어갑니다. 반복 재생 아이콘을 누르면 재생 클립을 반복 재생할 수 있습니다.



왼쪽 순으로 되감기, 재생, 앞으로 감기, 반복 재생 아이콘

앞으로 감기/되감기 제어 버튼을 길게 누르면 셔틀 기능을 사용할 수 있습니다. 누르는 제어 키에 따라 보통 속도의 2배속으로 영상을 빨리 감거나 되감기할 수 있습니다.

셔틀 기능 사용 중에는 제어 키를 다시 누르면 셔틀 속도를 변경할 수 있습니다. 같은 방향의 제어 키를 한 번 누를 때마다 셔틀 속도가 2배로 증가합니다. 최대 셔틀 속도는 16배속입니다. 16배속에서 제어 키를 다시 누르면 2배속으로 되돌아갑니다. 반대 방향 키를 누르면 현재 셔틀 속도는 절반씩 줄어들어 2배속까지 줄어듭니다. 재생 버튼을 누르면 일반 재생 속도로 되돌아갑니다.



셔틀 속도 상태 표시에는 앞으로 또는 뒤로 감기는 영상의 속도와 재생 방향이 표시됩니다.

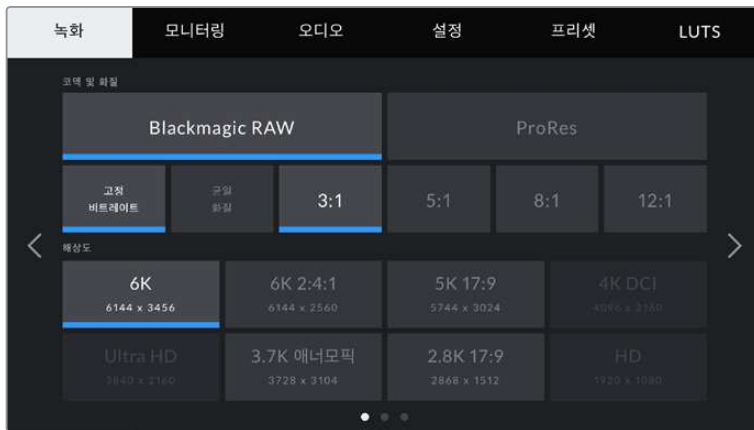
재생 모드에서 녹화 버튼을 누르면 카메라가 녹화 준비 상태인 대기 모드로 되돌아갑니다.

정보 재생 중, 터치스크린을 위/아래로 쓸어 넘겨 상태 정보 텍스트를 숨길 수 있습니다. 재생 모드에서 슬라이드를 입력하면 현재 클립이 메타데이터에 '굿테이크'로 표시됩니다. 자세한 정보는 [메타데이터 입력하기] 부분을 참고하세요.

설정하기

대시보드

메뉴 버튼을 누르면 카메라의 대시보드가 나타납니다. 여러 개의 탭으로 구성된 이 메뉴는 터치스크린에서 사용할 수 없는 설정을 포함하고 있습니다. 이 설정 메뉴는 기능에 따라 '녹화', '모니터링', '오디오', '설정', '프리셋', 'LUT' 탭으로 분류되어 있습니다. 각 탭은 여러 페이지로 구성되어 있으며 카메라 터치스크린 양쪽 끝에 있는 화살표를 누르거나 좌/우로 쓸어 넘겨 페이지를 넘길 수 있습니다.



녹화, 모니터링, 오디오, 설정, 프리셋, LUT 탭을 누르면 Pocket Cinema Camera의 해당 대시보드 탭으로 이동합니다.

녹화 설정

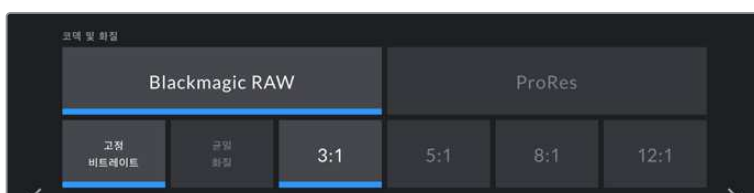
녹화 탭에서는 비디오 포맷, 코덱, 해상도 그리고 녹화 영상에 중요한 다이내믹 레인지 및 디테일 샤프닝과 같은 기타 사항을 설정할 수 있습니다.

녹화 설정 1

녹화 설정 탭의 첫 번째 페이지에서는 다음과 같은 설정 기능을 사용할 수 있습니다.

코덱 및 화질

'코덱 및 화질' 메뉴는 두 줄로 나누어져 있습니다. 맨 윗줄에서 Blackmagic RAW와 Apple ProRes 코덱 중 하나를 선택할 수 있으며, 아랫줄에서는 선택한 코덱 계열에 맞는 해상도 옵션을 제공합니다. 예를 들어, ProRes 코덱 계열에서 사용 가능한 해상도 옵션은 ProRes 422 HQ, ProRes 422, ProRes 422 LT, ProRes 422 Proxy입니다. Blackmagic RAW 옵션은 네 개의 고정 비트레이트와 두 개의 균일 화질 설정으로 나누어져 있습니다.



'코덱 및 화질' 메뉴의 Blackmagic RAW 옵션



‘코덱 및 화질’ 메뉴의 ProRes 옵션

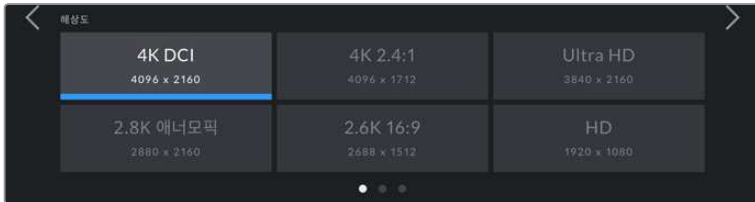
정보 압축률이 높은 코덱을 선택할 수록 Blackmagic Pocket Cinema Camera의 저장 미디어에 녹화 가능한 비디오 용량 또한 증가합니다. 자세한 정보는 [녹화] 부분의 녹화 가능 시간 표를 참고하세요.

해상도

해상도 설정은 코덱 설정에 따라 결정됩니다. 원하는 녹화 포맷을 위한 해상도를 선택하는데 사용하세요. 예를 들어 ProRes HQ를 사용해 UHD 클립을 녹화하고자 하는 경우 ‘코덱 및 화질’ 메뉴에서 ‘ProRes’와 ‘HQ’를 선택한 뒤, ‘해상도’ 메뉴에서 ‘UHD’를 선택하세요.



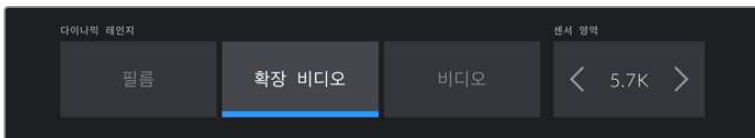
Blackmagic RAW 코덱 사용 시 Pocket Cinema Camera 6K의 해상도 옵션



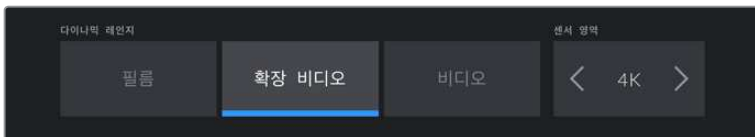
Pocket Cinema Camera 4K의 해상도 옵션의 모습. 4K DCI 포맷 옵션은 ‘해상도’ 카테고리 또는 ‘해상도 - 센서 윈도우 모드’ 안에서 찾을 수 있습니다.

녹화 설정 2

녹화 설정 탭의 두 번째 페이지에서는 다음과 같은 설정 기능을 사용할 수 있습니다.



Pocket Cinema Camera 6K의 다이내믹 레인지 및 센서 영역 옵션



Pocket Cinema Camera 4K의 다이내믹 레인지 및 센서 영역 옵션

다이나믹 레인지

다이나믹 레인지 아이콘을 눌러 다이나믹 레인지 설정을 조절합니다. Blackmagic Pocket Cinema Camera는 세 가지 종류의 다이나믹 레인지 설정 옵션을 제공합니다.

필름	필름 모드로 설정하면 뛰어난 다이나믹 레인지를 유지할 수 있는 로그 커브를 사용하여 영상을 촬영하고 비디오 신호에 최대한 많은 정보를 제공하여 DaVinci Resolve와 같은 색보정 소프트웨어를 최대한 활용할 수 있습니다.
확장 비디오	확장 비디오 설정에서는 비디오 모드와 필름 모드 다이나믹 레인지의 균형이 잘 이루어진 설정을 제공합니다. 이 설정은 비디오 모드보다 넓은 다이나믹 레인지를 제공하는 동시에 부드러운 색상 대비를 적용하며 하이라이트에 안전한 롤오프 특성을 나타냅니다. 확장 비디오 모드는 표준 방송 모니터와 함께 사용하기 적합하며, 후반 제작 일정이 촉박한 상황에서 녹화 영상에 자연스러운 영상록을 적용하고자 할 경우에 도움이 되는 설정입니다.
비디오	비디오 모드는 HD 비디오를 위한 REC709 색 표준과 유사합니다. 이를 통해 압축 비디오 포맷으로 바로 녹화할 수 있어 즉각적인 딜리버리 및 후반 작업을 최소화하는 데 적합한 색공간을 활용하여 보다 빠르게 작업할 수 있습니다.

참고 필름 모드 다이나믹 레인지를 사용하여 Blackmagic RAW와 ProRes 영상을 녹화하는 경우 터치스크린에 이미지가 흐릿하고 칩칙하게 나타납니다. 그 이유는 이미지 파일에 표준 디스플레이에 맞게 색 적용이 되지 않은 데이터가 많이 포함되어 있기 때문입니다. 하지만, 필름 모드 다이나믹 레인지로 녹화 시, 표준 색상 대비를 나타내도록 제작된 디스플레이 LUT를 사용하여, 터치스크린에 나타나는 영상과 HDMI 출력을 모니터링할 수 있습니다. 자세한 정보는 본 설명서의 [3D LUT] 부분을 참고하세요.

센서 영역

Blackmagic Pocket Cinema Camera는 풀 센서 영역을 사용하도록 설정하거나, 더욱 높은 프레임 레이트를 위해 '센서 영역'에서 윈도우 모드를 설정할 수 있습니다. 이 모드는 센서 전체의 영상을 축소하는 것이 아니라, 선택한 비디오 포맷에 필요한 센서 픽셀만을 사용하는 방식입니다. 윈도우 모드와 축소 방식을 결합한 포맷도 있습니다. 예를 들어, Pocket Cinema Camera 6K의 HD 포맷에는 풀 센서에서 축소된 버전 및 5.7K 윈도우 모드에서 축소된 버전, 2.7K 윈도우 모드에서 축소된 버전이 있습니다.

윈도우 센서 모드는 카메라 센서의 중심부만 사용하기 때문에 렌즈 종류에 관계없이 시야가 크로핑되어 좁아집니다. 예를 들어, 20mm 렌즈로 HD 영상을 윈도우 모드에서 촬영하는 경우, 시야는 Pocket Cinema Camera 4K 카메라에 40mm 렌즈로 촬영하는 것과 같습니다.

이러한 설정 옵션은 UHD 또는 HD ProRes 영상과 같이 카메라 최대 해상도 보다 낮은 해상도 촬영이 필요할 시에 사용할 수 있습니다.

Pocket Cinema Camera 6K에서 가장 빠른 프레임 레이트를 원한다면 2.8K 17:9 윈도우 모드로 촬영하거나, HD 해상도의 2.7K에서 축소된 윈도우 모드로 촬영하세요. Pocket Cinema Camera 4K의 가장 빠른 프레임 레이트를 원한다면 2.6K 16:9 윈도우 모드, 혹은 HD 윈도우 모드로 촬영하세요.

풀 센서 및 윈도우 모드에 대한 자세한 정보는 [최대 센서 프레임 레이트] 부분을 참고하세요.

프로젝트 프레임 레이트

프로젝트 프레임 레이트는 영화 및 TV 업계에서 자주 사용되는 다양한 프레임 레이트를 제공합니다. 예를 들면, 초당 23.98 프레임 레이트가 있습니다. 대개 프로젝트 프레임 레이트는 후반 제작 워크플로에서 사용하는 재생 속도 및 오디오 싱크와 딜리버리 요구조건에 맞게 설정됩니다.

8종류의 프로젝트 프레임 레이트를 사용할 수 있으며, 여기에는 초당 23.98, 24, 25, 29.97, 30, 50, 59.94, 60 프레임이 있습니다.

오프스피드 녹화

프로젝트 프레임 레이트 및 센서 프레임 레이트는 일반적인 재생 속도에 맞게 기본 설정되어 있습니다. 하지만, '오프스피드 녹화' 스위치 아이콘을 누르면 센서 프레임 레이트를 개별적으로 설정할 수 있습니다.

오프스피드 프레임 레이트

'오프스피드 녹화'를 활성화한 상태에서 '오프스피드 프레임 레이트' 옆에 있는 화살표를 눌러 카메라의 센서 프레임 레이트를 간단히 설정할 수 있습니다.

이 센서 프레임 레이트는 센서가 실제로 녹화하는 초당 프레임 개수를 설정하며, 설정된 프로젝트 프레임 레이트를 기준으로 얼마나 빠르게 또는 느리게 영상이 재생되는지를 결정합니다.

오프스피드 프레임 레이트에 관한 자세한 정보는 본 설명서의 [터치스크린 기능] 부분에서 초당 프레임 수 (FPS) 관련 설명을 참고하세요.

참고 각각의 녹화 포맷과 코덱에 맞는 최대 프레임 레이트에 관한 자세한 정보는 [녹화] 부분의 '최대 센서 프레임 레이트' 표를 참고하세요.

원하는 녹화 카드 설정

두 개의 슬롯을 모두 사용하는 경우, Blackmagic Pocket Cinema Camera에서 녹화 시, 먼저 사용할 저장 카드 또는 드라이버를 선택할 수 있습니다. 'CFast 카드' 및 'SD 카드', '더 많이 찬 카드' 중에서 하나를 선택합니다. 사용자는 CFast 카드와 SD 카드 중에서 원하는 카드를 선택할 수 있으며, 사용하는 도중 지속적으로 어느 카드를 교체하여야 하는지 추천해줍니다. '더 많이 찬 카드' 옵션은 한 대의 카메라로 프로젝트를 촬영하는 경우 파일을 시간 순서로 분류하는데 도움이 됩니다.

선택한 설정 사항은 CFast 또는 SD 카드를 삽입했을 때 적용됩니다. 저장 관리자에서 원하는 카드명을 선택해 활성화시키면 언제든지 설정 사항을 덮어쓰기할 수 있습니다. 하지만, 카드를 꺼냈다가 다시 삽입하면 현재 '원하는 녹화 카드 설정'에 선택된 카드로 되돌아간다는 사실을 기억하세요.

정보 '더 많이 찬 카드' 설정은 사용한 데이터 용량이나 데이터 크기가 아닌, 저장 미디어의 사용량 퍼센트를 기준으로 합니다.

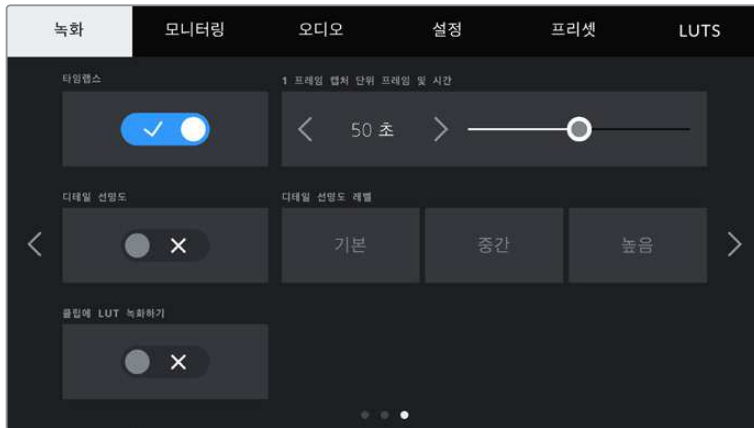
드롭 프레임 현상 발생 시 녹화 중단

드롭 프레임 현상이 감지될 경우를 위한 Blackmagic Pocket Cinema Camera의 속성을 설정하세요. OFF로 설정할 경우 드롭 프레임 현상이 발생 하더라도 녹화가 지속됩니다. ON으로 설정할 경우 드롭 프레임 현상이 발생하면 녹화가 중단됩니다. 이 기능을 사용하면 드롭 프레임 발생 표시를 확인하지 못해 사용할 수 없는 영상을 계속 촬영하는 상황을 미리 방지할 수 있습니다.

정보 드롭 프레임 현상을 방지하는 방법에 관한 자세한 정보는 [저장 미디어] 부분을 확인하세요.

녹화 설정 3

녹화 설정 탭의 세 번째 페이지는 다음과 같은 설정으로 구성되어 있습니다.



타임랩스

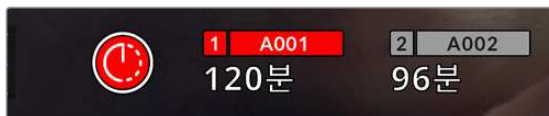
이 설정은 다음과 같은 간격으로 스틸 프레임을 자동으로 녹화하도록 타임랩스 기능을 활성화합니다.

프레임	2 - 10
초	1 - 10, 20, 30, 40, 50
분	1 - 10

예를 들어, 10 프레임/5초/30초/5분 등의 간격마다 스틸 프레임을 촬영하도록 설정할 수 있습니다.

타임랩스 기능으로 창의적인 선택의 폭이 넓어집니다. 예를 들어, 타임랩스를 2프레임마다 촬영하도록 설정하고 녹화한 영상을 재생하면 초고속 촬영 효과를 얻을 수 있습니다.

녹화 버튼을 누르면 녹화가 시작됩니다. 녹화 버튼을 다시 누르면 녹화가 중지되고, 타임랩스 시퀀스가 하나의 클립으로 저장되며 카메라에 설정된 해당 코덱과 프레임 레이트와 동기화 됩니다. 덕분에 다른 녹화 클립과 마찬가지로 후반 제작 타임라인에 해당 타임랩스 시퀀스를 옮겨 사용할 수 있습니다.



타임랩스 모드는 녹화 버튼 위에 아이콘으로 나타납니다.

정보 타임랩스 모드로 녹화하는 경우, 하나의 프레임이 녹화될 때마다 타임 코드 카운터가 업데이트됩니다.

디테일 선명도

이 설정을 사용하면 이미지를 더욱 선명하게 만들 수 있습니다. 이 설정을 활성화하여 기본값 및 중간, 높음 옵션 중에서 하나를 선택하여 이미지의 선명도를 높이거나 줄일 수 있습니다.

디테일 선명도 기능을 활성화할 경우, HDMI 출력뿐만 아니라 카메라로 촬영한 ProRes 녹화 영상에도 디테일 선명도 기능이 적용됩니다.

이 설정은 후반 작업을 할 시간이 없는 라이브 스튜디오 프로덕션에서 영상을 라이브로 바로 방송하고자 할 때 사용하는 설정입니다. 추가 후반 작업이 필요한 영상을 촬영하는 경우에는 OFF로 설정할 것을 권장합니다. 코덱을 Blackmagic RAW로 설정한 경우에는 디테일 선명도 기능이 비활성화됩니다.

클립에 LUT 녹화하기

Blackmagic Pocket Cinema Camera는 LUT가 녹화 영상에 적용되도록 기본 설정되어있지 않으므로 LUT를 함께 녹화하려면 '클립에 LUT 녹화하기' 스위치 아이콘을 선택합니다.

후반 제작 단계에서 색보정할 시간이 없거나, 촬영 영상을 바로 고객 또는 편집자에게 전달해야하는 경우에 사용하기 유용한 기능입니다. 자세한 정보는 [3D LUT]와 [터치스크린 제어] 부분을 참고하세요.

파일에 LUT 적용하기

Blackmagic RAW 코덱으로 촬영하고 카메라 HDMI 출력에 LUT를 적용할 경우, 선택한 LUT가 녹화 중인 Blackmagic RAW 파일에 임베드됩니다. 다시 말해, LUT가 파일 헤더에 저장되며 후반 제작 과정에서 해당 LUT를 클립에 손쉽게 적용할 수 있어 별도의 파일을 사용할 필요가 없습니다. 녹화 메뉴에서 '파일에 LUT 적용하기' 스위치가 ON으로 설정된 경우, 해당 클립은 항상 선택한 LUT가 적용된 상태로 Blackmagic RAW 플레이어 및 DaVinci Resolve에서 재생됩니다. 이 LUT은 쉽게 켜고 끌 수 있는데 이는 해당 정보가 클립 자체에 입력되어 Blackmagic RAW 파일에 항상 남아있기 때문입니다.

DaVinci Resolve의 LUT RAW 설정 팔레트에는 Blackmagic RAW 파일에서 3D LUT를 활성화 또는 비활성화할 수 있는 'Apply LUT' 스위치가 있습니다. DaVinci Resolve의 'Apply LUT' 설정은 카메라에 있는 설정과 동일합니다. 다시 말해, 촬영할 때 컬러리스트들이 카메라에 설정해둔 LUT를 사용하도록 안내할 수 있지만, 언제든지 DaVinci Resolve에서 'Apply LUT' 을 OFF로 설정해 해당 LUT을 쉽게 끌 수 있습니다.

파일명 표준화

선택한 녹화 포맷에 따라 Blackmagic RAW 포맷이나 ProRes QuickTime 무비 포맷으로 CFast 카드/SD카드/USB-C 플래시 디스크에 클립이 저장됩니다.

다음 표는 생성된 파일명의 예를 보여줍니다.

A001_08151512_C001.mov	QuickTime Movie 파일명
A001_08151512_C001.mov	카메라 색인
A001_08151512_C001.mov	릴 넘버
A001_08 15 1512_C001.mov	월
A001_08 15 1512_C001.mov	일
A001_08151 5 12_C001.mov	시
A001_081515 12 _C001.mov	분
A001_08151512_ C001 .mov	클립 번호

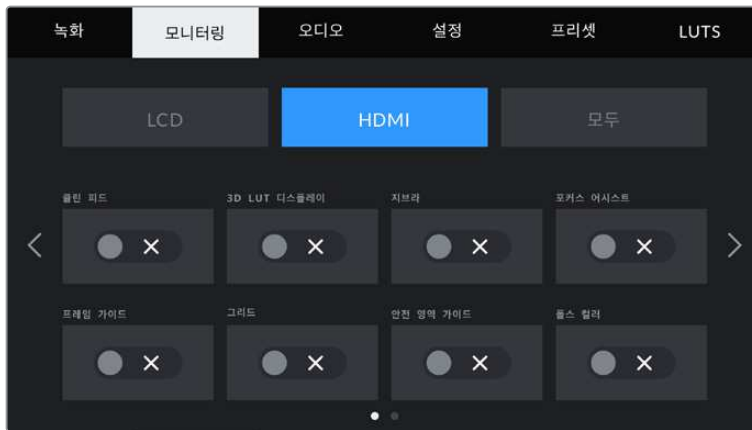
스틸 버튼을 사용해 캡처한 스틸 이미지 파일은 비디오 클립의 파일명 표준 방식을 따르지만, 파일명 마지막 4자리에는 클립 번호 대신에 스틸 번호를 나타내는, 예를 들어 'S001'이 표시됩니다. 카메라 색인 변경 방법은 [프로젝트 메타데이터] 부분을 참고하세요.

모니터링 설정

‘모니터링’ 탭에서는 Blackmagic Pocket Cinema Camera의 LCD 터치스크린과 HDMI 출력을 위한 상태 표시 텍스트 및 오버레이, 기타 모니터링 옵션을 조절할 수 있습니다. 설정 옵션은 ‘LCD’, ‘HDMI’ 또는 ‘모두’를 사용할 수 있으며, 이러한 설정 옵션은 LCD와 HDMI 출력을 위한 모니터 설정을 제공합니다. 각 메뉴는 2 페이지의 옵션으로 구성되어 있으며 카메라 터치스크린 양쪽 끝에 있는 화살표를 누르거나 좌/우로 쓸어 넘겨 페이지를 넘길 수 있습니다.

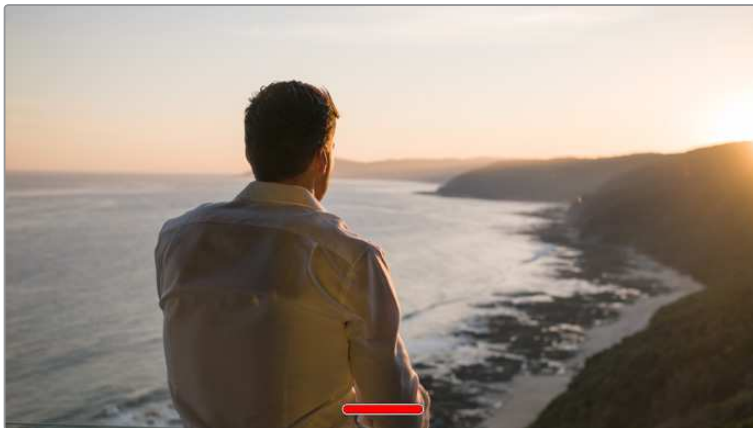
모니터링 설정 1

모니터링 탭의 첫 번째 페이지에는 각 출력을 위한 설정 옵션을 제공합니다. 예를 들어 LCD 터치스크린에서는 지브라를 사용하고, HDMI 출력에는 이를 사용하지 않도록 설정할 수 있습니다.



클린 피드

‘LCD’ 또는 ‘HDMI’ 메뉴에 있는 ‘클린피드’ 스위치를 누르면 탈리 표시장치를 제외한 모든 출력의 상태 정보와 오버레이를 비활성화시킬 수 있습니다.



클린 피드 모드에서도 카메라에 녹화 탈리 표시가 나타납니다.

참고 LUT는 클린 피드를 활성화한 출력에도 적용됩니다. LUT을 비활성화하려면 모니터링 메뉴에서 ‘LUT 표시’ 스위치를 해제하세요.

3D LUT 디스플레이

Blackmagic Pocket Cinema Camera는 원하는 출력에 3D LUT를 적용하여 색보정 작업 후의 영상록을 대략적으로 확인할 수 있습니다. 필름 모드 다이내믹 레인지를 사용한 녹화에 특히 유용한 기능입니다.

카메라의 3D LUT 기능이 활성화되어 있는 경우, 이 설정을 사용해 LCD 터치스크린 또는 HDMI 출력에 해당 LUT를 개별적으로 적용할 수 있습니다.

3D LUT의 사용과 로딩에 관한 자세한 정보는 본 설명서의 [3D LUT] 부분을 참고하세요.

LCD 또는 HDMI 페이지의 스위치를 눌러 포커스 어시스트 및 프레임 가이드, 그리드, 안전 영역 가이드, 폴스 컬러 같은 LCD 터치스크린과 HDMI 출력을 위한 모니터링 옵션 기능을 활성화 하세요.

지브라

'LCD' 또는 'HDMI' 메뉴의 '지브라' 스위치를 눌러 해당 출력에 지브라 가이드를 활성화하세요. 지브라 가이드 및 지브라 레벨 설정에 관한 자세한 정보는 본 설명서의 [터치스크린 기능] 부분을 참고하세요.

포커스 어시스트

'LCD' 또는 'HDMI' 메뉴의 '포커스 어시스트' 스위치를 눌러 해당 출력에 포커스 어시스트 기능을 활성화하세요. 포커스 어시스트 및 포커스 어시스트 레벨 설정 방법에 대한 자세한 정보는 본 설명서의 [터치스크린 기능] 부분을 참고하세요.

프레임 가이드

'LCD' 또는 'HDMI' 메뉴의 '프레임 가이드' 스위치를 눌러 해당 출력에 프레임 가이드 기능을 활성화하세요. 프레임 가이드 및 다양한 가이드 선택 방법에 관한 자세한 정보는 본 설명서의 [터치스크린 기능] 부분을 참고하세요.

그리드

'LCD' 또는 'HDMI' 메뉴의 '그리드' 스위치를 눌러 해당 출력에 3분할 그리드를 활성화하세요. 3분할 그리드에 관한 자세한 정보는 본 설명서의 [터치스크린 기능] 부분을 참고하세요.

안전 영역 가이드

'LCD'와 'HDMI' 메뉴의 '안전 영역 가이드' 스위치를 눌러 해당 출력에 안전 영역 오버레이 기능을 활성화하세요. 자세한 정보는 본 설명서의 [터치스크린 기능] 부분에 있는 안전 영역 가이드 관련 설명을 참고하세요.

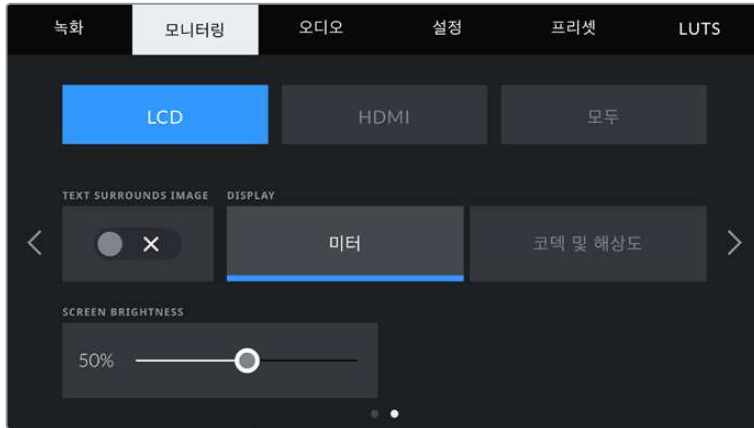
참고 Blackmagic Pocket Cinema Camera의 '모니터링' 탭 아래 '모두' 항목에서 '안전 영역 가이드 %' 설정을 사용하여 안전 영역 가이드의 크기를 설정하세요.

폴스 컬러

'LCD' 또는 'HDMI' 메뉴의 '폴스 컬러' 스위치를 눌러 해당 출력에 폴스 컬러 노출 보조 기능을 활성화하세요. 폴스 컬러 사용에 관한 자세한 정보는 본 설명서의 [터치스크린 기능] 부분을 참고하세요.

모니터링 설정 - LCD 2

LCD 모니터 탭의 두 번째 페이지는 LCD 터치스크린만을 위한 설정 항목을 제공합니다.



'상태 표시 텍스트' 기능을 사용하면 카메라의 미리보기 이미지를 더욱 자세하게 확인하실 수 있습니다.

상태 표시 텍스트

샷의 구도를 잡거나 연출하는 데 필요한 정보만 제공하고 상태 정보 텍스트 및 미터는 LCD 터치스크린에서 감추는 유용한 설정 기능입니다. '상태 표시 텍스트' 스위치 아이콘을 눌러 카메라의 LCD 터치스크린 상태 정보 텍스트 및 미터를 켜고 끌 수 있습니다. 이 기능을 활성화하면 프레임 가이드와 그리드, 포커스 어시스트, 지브라와 같은 오버레이 기능은 그대로 표시됩니다. LCD 터치스크린을 위/아래로 쓸어 넘겨도 동일한 기능을 사용할 수 있습니다.

디스플레이

카메라 LCD 터치스크린 하단 양쪽 끝에는 히스토그램과 오디오 미터 대신, 코덱과 해상도 정보가 표시됩니다. 폴스 컬러를 사용하여 노출을 조절하거나, 오디오를 개별적으로 녹음하여 히스토그램과 오디오 미터가 표시되던 곳에 추가 정보를 표시하려는 경우에 유용한 기능입니다.

'LCD' 메뉴에서 '미터'나 '코덱 및 해상도'를 눌러 원하는 보기 방식을 선택할 수 있습니다.



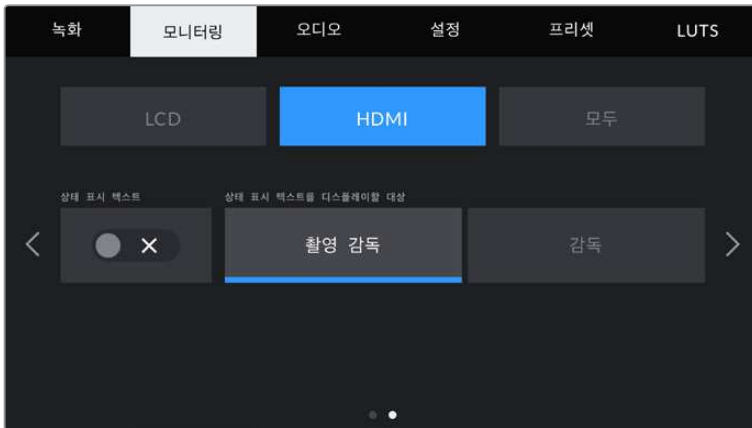
Blackmagic Pocket Cinema Camera에서 히스토그램과 오디오 미터 대신에 코덱과 해상도 정보를 표시하도록 설정할 수 있습니다.

스크린 밝기

'LCD' 메뉴에서 '스크린 밝기' 슬라이더를 좌/우로 드래그하여 카메라의 LCD 터치스크린 밝기를 조절할 수 있습니다.

모니터링 설정 - HDMI 2

HDMI 모니터 탭의 두 번째 페이지에서는 HDMI 출력만을 위한 설정 기능을 사용할 수 있습니다.



상태 표시 텍스트

샷의 구도를 잡거나 연출하는 데 필요한 정보만 제공하고 HDMI 출력에 나타나는 상태 표시 텍스트 및 미터 정보는 감추는 유용한 설정 기능입니다. HDMI 모니터 메뉴에서 '상태 표시 텍스트' 스위치 아이콘을 눌러 상태 정보 텍스트 및 미터를 켜고 끌 수 있습니다. 이 기능을 활성화하면 프레임 가이드와 그리드, 포커스 어시스트, 지브라와 같은 오버레이 기능은 그대로 표시됩니다.

화면을 위/아래로 쓸어 넘기면 상태 표시 텍스트와 미터 정보를 터치스크린에 나타나게 하고 숨길 수 있습니다.

촬영 기사 및 감독을 위한 상태 정보 텍스트 디스플레이

LCD 터치스크린에는 카메라 운영자나 촬영 기사가 카메라에 개별 샷을 설정할 시 유용하게 사용할 수 있는 ISO와 화이트 밸런스, 조리개 등의 정보가 표시됩니다. 카메라의 HDMI 출력은 여러 샷이나 카메라를 계속 파악해야 하는 감독이나 각본 기록 감독에게 유용한 정보를 표시합니다.



Blackmagic Pocket Cinema Camera의 HDMI 출력을 통해 감독이 원하는 특정 상태 텍스트를 나타나게 할 수 있습니다.

HDMI 모니터링 설정에서 상태 정보 텍스트를 '감독'으로 설정하면 해당 출력에 표시되는 상태 정보 텍스트가 다음과 같은 정보를 나타냅니다.

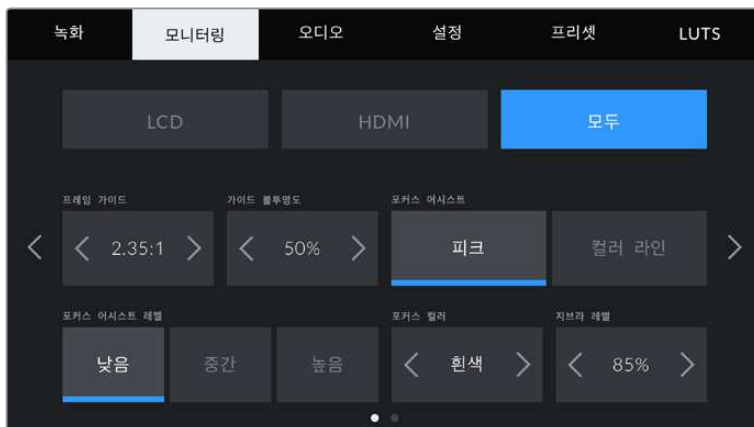
- FPS**
 카메라에 현재 선택된 초당 프레임 수를 표시합니다. 오프스피드 프레임 레이트 기능이 비활성화된 경우에는 프로젝트 프레임 레이트만 나타납니다. 오프스피드 프레임 레이트를 사용하는 경우에는 센서 프레임 레이트가 표시되고 그 뒤에 프로젝트 프레임 레이트가 나타납니다.
- CAM**
 카메라 슬레이트에 설정된 카메라 색인이 표시됩니다. 자세한 정보는 본 설명서의 [슬레이트] 부분을 참고하세요.
- 운영자**
 카메라 슬레이트에 설정된 카메라 운영자를 확인할 수 있습니다. 자세한 정보는 본 설명서의 [슬레이트] 부분을 참고하세요.
- 녹화 시간 표시**
 현재 녹화 중인 클립이나 마지막으로 녹화된 클립의 녹화 시간을 시간:분:초 순으로 표시합니다.
- 릴, 신, 테이크**
 현재의 릴과 신, 테이크를 표시합니다. 릴 및, 신, 테이크, 라벨 표기 방법에 관한 자세한 정보는 본 설명서의 [슬레이트] 부분을 참고하세요.
- 다이내믹 레인지**
 현재 출력에 적용된 LUT 관련 정보가 모니터 하단 왼쪽에 표시됩니다. 적용된 LUT가 없는 경우 필름 다이내믹 레인지 또는 비디오 다이내믹 레인지가 표시됩니다.
- 타임코드**
 모니터 화면 오른쪽 아래에는 타임코드가 시간:분:초:프레임 형태로 표시됩니다.

 시각:분:초:프레임

모니터링 설정 - 모두 1

카메라 LCD와 HDMI 출력에 모두 영향을 끼치는 모니터 설정은 '모두' 메뉴에서 제공합니다. 예를 들어, 이 메뉴에서 '안전 영역 가이드'를 90%로 설정하면 카메라의 LCD와 HDMI 출력의 안전 영역 가이드가 90%로 설정됩니다.

'모두' 출력을 위한 모니터 설정은 두 페이지에 걸쳐 다음과 같은 설정 사항을 제공합니다.



프레임 가이드

'프레임 가이드' 메뉴 설정에서 좌/우 화살표를 누르면 카메라의 모든 출력에 적용 가능한 여러 옵션을 선택할 수 있습니다. 해당 옵션에 대한 자세한 설명은 본 사용 설명서의 [터치스크린 기능] 부분을

참고하세요. LCD 터치스크린 헤드업 디스플레이의 '모니터링'-'LCD' 메뉴에서 이용할 수 있습니다. 각각의 모니터링 메뉴에서 프레임 가이드가 LCD 터치스크린과 HDMI 출력에 개별적으로 나타나도록 설정할 수 있습니다.

가이드 불투명도

'가이드 불투명도' 메뉴 설정의 좌/우 화살표를 눌러 LCD 터치스크린과 HDMI 출력에 나타나는 프레임 가이드 속 이미지의 투명도를 설정할 수 있습니다. 25%, 50%, 75%, 100% 중에서 선택할 수 있습니다.

포커스 어시스트

Blackmagic Pocket Cinema Camera는 '피크'와 '컬러 라인' 두 종류의 포커스 어시스트 모드를 제공합니다.

<p>피크</p>	<p>포커스 어시스트 모드로 '피크'를 사용하면 샷에서 초점이 맞춰진 부분이 LCD 터치스크린 또는 HDMI 출력에서는 굉장히 선명하게 나타나지만, 실제 녹화되는 영상에는 이런 효과가 반영되지 않습니다. 이는 초점이 맞춰진 부분이 은은한 배경 부분과 대조되어 더욱 도드라져 보이는 효과를 줍니다. 다른 오버레이를 추가로 사용하지 않는 상황에서 초점이 맞춰진 부분을 직관적으로 구분할 수 있는 방식으로, 특히 초점을 맞추려는 대상이 샷 안의 다른 요소들과 실제로 잘 구분되어 있는 경우에 사용하기 효과적입니다.</p>
<p>컬러 라인</p>	<p>포커스 어시스트 모드로 '컬러 라인'을 사용하면 영상에서 초점이 맞춰진 부분에 컬러 라인이 오버랩되어 나타납니다. 이 모드는 영상 위에 라인이 그려진다는 점에서 '피크' 보다는 눈에 거슬릴 수 있지만 시각 요소들이 많은 샷에서는 정확한 초점을 잡는데 큰 도움이 됩니다.</p>

포커스 어시스트 레벨

LCD와 HDMI 출력의 포커스 어시스트 레벨을 설정하려면 '낮음'/'중간'/'높음' 설정 중 하나를 선택하세요.

참고 포커스 어시스트의 강도 레벨을 설정하더라도 Blackmagic Pocket Cinema Camera의 LCD 및 HDMI 출력에는 아무런 영향을 끼치지 않습니다. LCD 메뉴와 HDMI 출력 모니터 메뉴에서 각 출력을 위한 포커스 어시스트 기능을 개별적으로 설정해야 합니다.

정보 최적의 포커스 어시스트 레벨은 샷마다 다릅니다. 예를 들면, 배우에 초점을 맞추려는 경우 높은 레벨의 포커스 어시스트를 사용하면 얼굴 가장 자리의 디테일에 도움이 됩니다. 반면, 나뭇잎이나 벽돌의 경우 포커스 어시스트 레벨을 높게 설정하면 다소 산만한 포커스 정보가 나타날 수 있습니다.

포커스 컬러

포커스 어시스트로 컬러 라인을 사용하는 경우, 이 설정을 통해 포커스 라인 오버레이의 색상을 변경할 수 있습니다. 포커스 라인 색상을 변경해 포커스 어시스트가 영상과 쉽게 구별되도록 설정할 수 있습니다. 흰색/검은색/빨간색/초록색/파란색 중 원하는 색상을 선택할 수 있습니다.

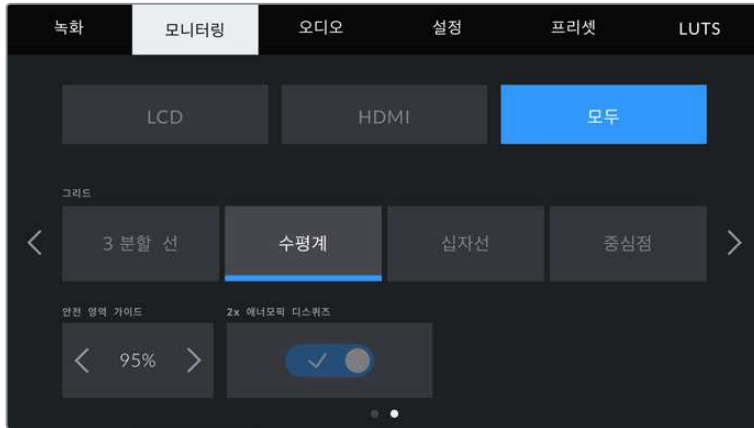
지브라 레벨

이 설정 양쪽 끝에 있는 화살표를 눌러 지브라가 나타날 노출 수준을 설정하세요. 지브라 레벨은 5퍼센트 단위로 75~100 퍼센트 노출 값까지 조절할 수 있습니다.

자세한 정보는 본 설명서의 [터치스크린 기능]에 있는 지브라 가이드를 확인하세요.

모니터링 설정 - 모두 2

‘모니터링’ 탭의 ‘모두’ 두 번째 페이지에서는 다음과 같은 설정 기능을 사용할 수 있습니다.



Blackmagic Pocket Cinema Camera ‘모니터링’ 탭의 ‘모두’ 두 번째 페이지

그리드

카메라의 LCD 터치스크린과 HDMI 출력에 원하는 조합의 그리드와 십자선을 설정하려면 ‘3분할 선’, ‘수평계’, ‘십자선’, ‘중심점’ 중에서 원하는 옵션을 선택하세요.

자세한 정보는 본 설명서 [터치스크린 기능] 부분의 그리드 관련 설명을 참고하세요.

안전 영역 가이드 %

터치스크린과 HDMI 출력에 적용할 안전 영역 오버레이의 크기를 조절하려면 이 설정에 나타나는 퍼센트 수치의 좌/우에 있는 화살표로 조절하세요. 이 퍼센트 수치는 영상 프레임 대비 안전 영역의 크기를 나타냅니다. 대부분의 방송국에서는 90% 안전 영역을 요구합니다.

애너모픽 디스퀴즈

Pocket Cinema Camera의 애너모픽 디스퀴즈 기능은 LCD 터치스크린과 HDMI 출력에 적용할 수 있습니다. 16:9 및 17.9포맷을 사용하는 경우, 1.33x 애너모픽 디스퀴즈 기능을 사용할 수 있습니다. Pocket Cinema Camera 6K로 3.7K 애너모픽 디스퀴즈 포맷을 사용하여 녹화할 경우, 혹은 Pocket Cinema Camera 4K로 2.8K 애너모픽 디스퀴즈 포맷을 사용하여 녹화할 경우, 2x 애너모픽 디스퀴즈가 자동 적용됩니다.

오디오 설정

‘오디오’ 탭에서는 카메라의 오디오 입력과 모니터링 설정값을 조절할 수 있습니다.

카메라의 오디오 설정은 두 페이지에 걸쳐 채널 1 소스 및 채널 2 소스로 구분되어 있습니다.

게인 컨트롤처럼 다양한 설정을 조정할 수 있을 뿐만 아니라 각 오디오 채널을 각기 다른 소스로 지정할 수 있습니다.

오디오 설정 1

‘오디오’ 탭 첫 번째 페이지는 다음과 같은 설정으로 구성되어 있습니다.



채널 소스

‘채널 1 소스’와 ‘채널 2 소스’ 버튼을 사용하여 각 오디오 채널을 위한 오디오 소스를 선택하세요. 각 채널 소스 설정에 대한 설명은 아래 기재되어 있습니다.

- **카메라 좌, 우**
카메라의 내부 마이크로 녹음.
- **카메라 모노**
Blackmagic Pocket Cinema Camera의 내장 마이크 좌/우 채널을 통해 단일 오디오 채널 생성.
- **XLR - 라인**
카메라의 XLR 입력을 사용하여 라인 레벨 오디오 녹음.
- **XLR - 마이크**
카메라의 XLR 입력을 사용하여 라인 마이크 오디오 녹음. 팬텀 파워가 활성화된 상태에서 XLR - 마이크를 설정하면 +48V 표시가 나타납니다. 팬텀 파워 마이크를 분리하기 전에 48V 스위치가 OFF로 설정되어 있는지 반드시 확인하세요.
- **3.5mm 좌 - 라인**
3.5mm 입력의 왼쪽 오디오 채널만 라인 레벨 오디오로 사용합니다.
- **3.5mm 우 - 라인**
3.5mm 입력의 오른쪽 오디오 채널만 라인 레벨 오디오로 사용합니다.
- **3.5mm 모노 - 라인**
3.5mm 입력의 좌/우 채널에서 모노 믹스를 생성하여 라인 레벨 오디오로 사용합니다.
- **3.5mm 좌 - 마이크**
3.5mm 입력의 왼쪽 오디오 채널만 마이크 레벨 오디오로 사용합니다.
- **3.5mm 우 - 마이크**
3.5mm 입력의 오른쪽 오디오 채널만 마이크 레벨 오디오로 사용합니다.
- **3.5mm 모노 - 마이크**
3.5mm 입력의 좌/우 채널에서 모노 믹스를 생성하여 마이크 레벨 오디오로 사용합니다.
- **사용 안 함**
오디오 채널을 비활성화합니다.

참고 3.5mm 입력을 오디오 소스로 선택할 경우, 채널 1 소스와 채널 2 소스 모두 라인 레벨 또는 마이크 레벨로 되어 있어야 합니다. 즉 3.5mm 좌-라인을 채널 1 소스로 선택할 경우 채널 2 소스에서 사용할 수 있는 3.5mm 입력 옵션은 라인 레벨인 3.5mm 좌-라인 및 3.5mm 우-라인, 3.5mm 모노-라인입니다. 마이크 레벨 옵션은 선택할 수 없습니다.

채널 1 레벨

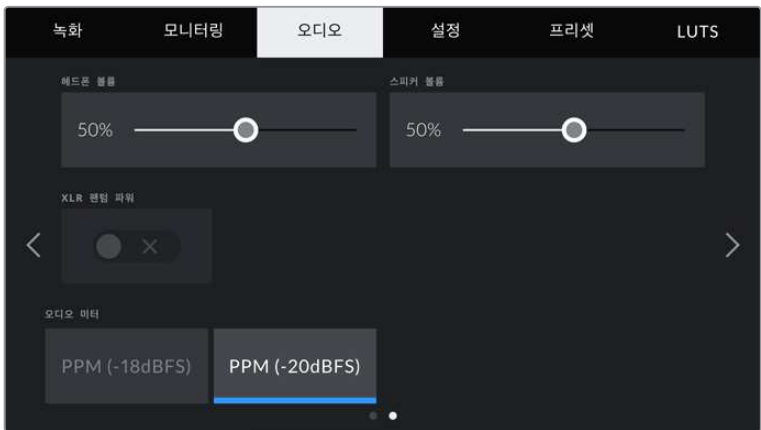
오디오 레벨 미터가 정확한 오디오 레벨을 설정할 수 있도록 도와줍니다.

채널 1 개인

이 슬라이더를 사용하면 채널 1 소스 및 채널 2 소스의 녹음 레벨을 조절할 수 있습니다.

오디오 설정 2

‘오디오’ 탭 두 번째 페이지는 다음과 같은 설정으로 구성되어 있습니다.



헤드폰 볼륨

이 볼륨 슬라이더를 사용해 3.5mm 헤드폰 잭에 연결된 헤드폰 출력 레벨을 설정할 수 있습니다. 오디오 슬라이더를 좌/우로 움직여 음량을 조절할 수 있습니다.

스피커 볼륨

이 볼륨 슬라이더를 사용해 카메라 내장 스피커 출력 레벨을 설정할 수 있습니다. 오디오 슬라이더를 좌/우로 움직여 음량을 조절할 수 있습니다.

XLR 팬텀 파워

카메라에 장착된 XLR 입력은 48V 팬텀 파워를 지원해 자체 전원 공급형이 아닌 마이크도 사용할 수 있습니다. 카메라를 XLR 오디오 입력으로 설정한 경우 [XLR 팬텀 파워] 스위치 아이콘을 누르면 팬텀 파워를 활성화할 수 있습니다.

오디오 미터

오디오 미터를 선택하면 오디오 미터의 표준 피크 레벨을 확인할 수 있습니다.

오디오 미터 설정	표준
PPM (-20 dBFS)	SMPTE RP.0155
PPM (-18 dBFS)	EBU R.68

참고 일반적으로 팬텀 파워를 켜기 전에 XLR 케이블을 먼저 연결합니다. 팬텀 파워 마이크를 연결하지 않은 경우에는 항상 팬텀 파워를 꺼두는 것이 좋습니다. 팬텀 파워 모드가 켜져 있는 상태에서 팬텀 파워가 요구되지 않는 장비를 연결하게 되면 카메라에서는 계속해서 해당 전원을 출력하므로 장비가 손상될 위험이 있습니다. 팬텀 파워를 끄더라도 완전히 방전되기까지는 어느 정도의 시간이 소요됩니다.

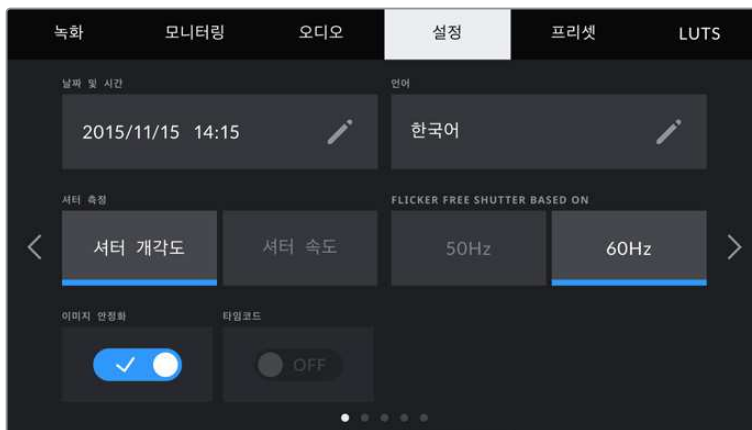
팬텀 파워를 끄고 나서는 다른 마이크나 XLR 오디오 장비를 연결하기 전에 최소 몇 분 정도 기다려야 합니다.

설정

‘설정’ 탭에서는 Blackmagic Pocket Cinema Camera의 카메라 식별 설정과 소프트웨어 버전, 기능 버튼 설정, 그리고 녹화 및 모니터링과 직접적인 관련이 없는 기타 설정 항목을 제공합니다. 이 메뉴는 네 페이지로 구성되어 있으며 LCD 터치스크린 양쪽 끝에 있는 화살표를 누르거나 좌/우로 쓸어 페이지를 넘길 수 있습니다.

설정 1

‘설정’ 메뉴 첫 번째 페이지에서는 다음과 같은 설정 항목을 제공합니다.

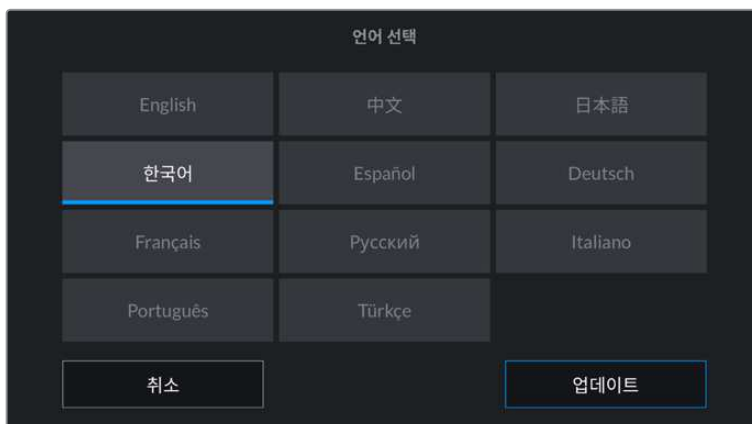


날짜 및 시간

날짜 및 시간에는 카메라의 날짜 및 시간을 설정할 수 있습니다. 날짜는 년/월/일 순으로 그리고 시간은 24시간 형식으로 표시됩니다. 카메라의 날짜 및 시간 설정은 외부 타임코드 소스가 연결되지 않은 경우에 현재 시각을 표시하는 용도로도 사용됩니다.

언어

Pocket Cinema Camera는 총 11가지 언어를 지원합니다. 한국어, 영어, 중국어, 일본어, 스페인어, 독일어, 불어, 러시아어, 이탈리아어, 포르투갈어, 터키어로 사용할 수 있습니다.



언어 설정 페이지는 장비가 최초 가동될 때 화면에 나타납니다.

다음과 같은 순서로 언어를 선택합니다.

- 1 '언어' 탭의 목록에서 원하는 언어를 선택합니다.
- 2 '업데이트' 버튼을 누르면 선택 내용이 저장되고 설정 메뉴로 되돌아갑니다.

셔터 측정

셔터 정보를 '셔터 개각도' 또는 '셔터 속도' 중 하나로 표기할 수 있습니다.

셔터 개각도를 사용할 시, 프레임 레이트와 셔터는 서로 연동됩니다. 예를 들면, 셔터 개각도를 180도로 설정하면 사용 중인 프레임 레이트에 관계없이 일정한 모션 블러를 생성합니다.

하지만 셔터 속도를 사용할 경우에는 프레임 레이트에 따라 지정된 절대값이 셔터에 적용되기 때문에 사용하는 프레임 레이트에 따라 결과가 달라집니다.

예를 들어, 초당 24 프레임으로 촬영 시 셔터 속도를 48분의 1초로 설정하면 180도의 셔터 개각도에 해당하는 만족스러운 모션 블러 효과가 생성됩니다. 셔터 속도를 48분의 1초로 두고 초당 48 프레임으로 변경하면 기존의 모션 블러 효과는 사라지고 360도의 셔터 개각도에 해당하는 효과가 생성됩니다. 여기서는 초당 48 프레임으로 변경했기 때문에 180도의 셔터 개각도에 해당하는 효과를 얻으려면 셔터 속도 역시 96분의 1초로 변경해야 합니다.

플리커 현상 없는 셔터 개각도

이 설정은 카메라에서 플리커 현상이 없는 셔터 설정값을 산출하기 위해 사용하는 주전력 주파수를 변경합니다.

조명 아래서 촬영하는 경우 플리커 현상이 발생할 수 있습니다. Blackmagic Pocket Cinema Camera 는 현재 사용하는 프레임 레이트를 위해 자동으로 플리커 현상이 없는 셔터 설정값을 산출하고 최대 세 가지의 셔터 설정값을 제공합니다. 셔터 설정값은 조명을 작동하는 데 사용되는 현지 주전원 공급 장치의 주파수에 따라 달라집니다. PAL 방식을 사용하는 대부분의 국가에서는 50Hz를 사용하고, NTSC 방식을 사용하는 국가에서는 보통 60Hz의 전력 주파수를 사용합니다. 간단히 50Hz 또는 60Hz를 눌러 사용 지역에 맞는 전력 주파수를 설정하세요.

참고 광원이 가지는 다양한 특성으로 인해 플리커 현상이 없는 셔터 설정값을 사용하더라도 플리커 현상이 발생할 수 있습니다. 연속 광원을 사용하지 않는 경우에는 촬영 전에 카메라 테스트를 진행해 볼 것을 권장합니다.

이미지 안정화

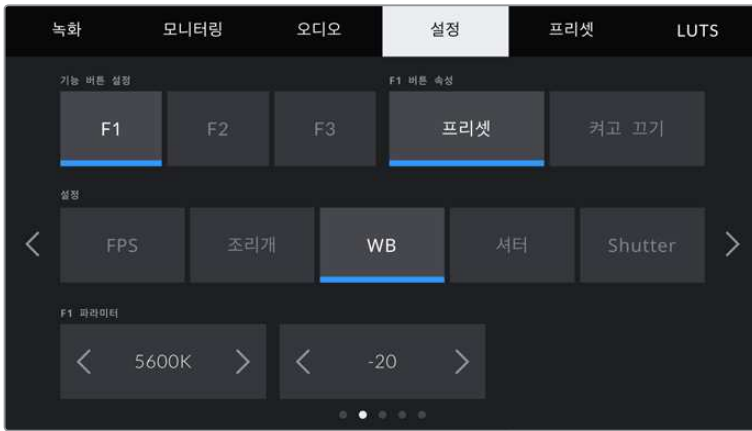
Pocket Cinema Camera 4K에는 이미지 안정화 기능이 있어 실제 스위치 없이도 렌즈의 이미지 안정화 기능을 활성화 또는 비활성화할 수 있습니다.

타임코드 드롭 프레임

'타임코드 드롭 프레임' 옵션을 선택할 경우 29.97 및 59.94의 NTSC 프로젝트 프레임 레이트를 사용할 때 드롭 프레임 타임코드를 사용할 수 있습니다. 드롭 프레임 타임코드는 타임코드에서 일정한 간격씩 프레임을 건너뛰는 기능입니다. NTSC 프레임 레이트에서 매초마다 정수의 프레임 숫자로 기록되지 않더라도 프로젝트 프레임 타임코드는 정확하게 유지합니다.

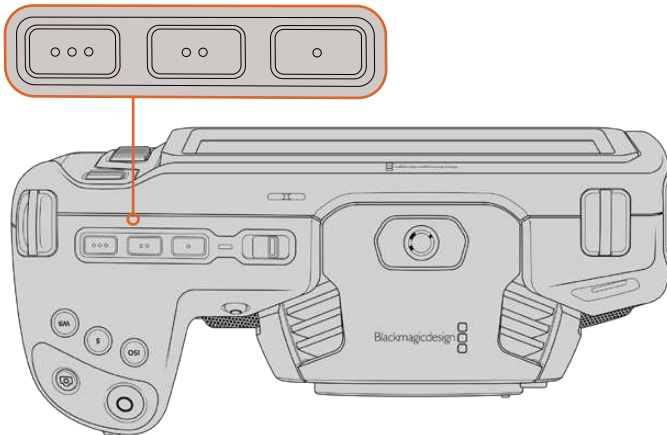
설정 2

‘설정’ 탭 두번째 페이지는 다음과 같은 설정으로 구성되어 있습니다.



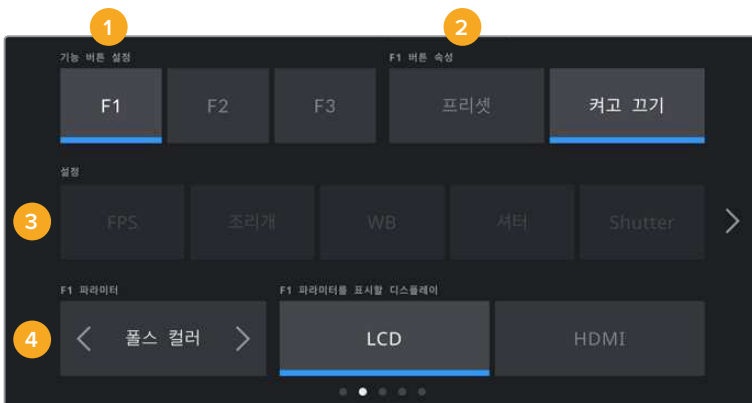
기능 버튼 설정

Blackmagic Pocket Cinema Camera 상단에 보면 세 가지의 기능 버튼을 찾을 수 있습니다. 버튼에 있는 점은 각각 F1, F2, F3을 의미합니다. 이 버튼에 자주 사용하는 기능을 매핑하여 카메라 사용 시 빠르게 원하는 기능에 접속할 수 있습니다.



카메라의 기능 버튼은 점으로 표시되어 있으며 카메라 상단에 위치해 있습니다.

이 버튼을 설정하려면 기능 버튼을 먼저 선택한 뒤, 속성과 설정 그리고 해당 설정을 위한 파라미터를 선택합니다.



1 버튼 2 속성 3 설정 4 파라미터

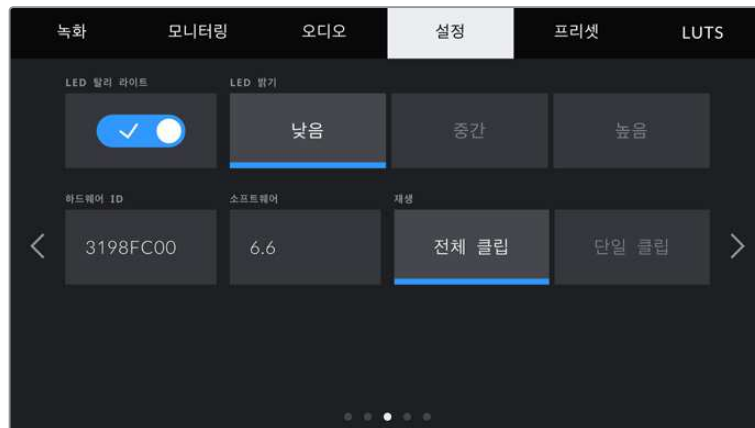
F1/F2/F3 버튼 속성

매핑하려는 기능 버튼을 선택한 뒤, 원하는 속성을 선택할 수 있습니다. 사용 가능한 옵션은 다음과 같습니다.

<p>프리셋</p>	<p>이 속성을 설정하면 기능 버튼을 눌러 설정과 파라미터 조합을 불러올 수 있습니다.</p> <p>프리셋을 설정하려면 '설정' 메뉴에서 원하는 설정을 선택한 뒤, 바로 밑의 '파라미터' 메뉴 양쪽에 있는 화살표 아이콘으로 해당 설정을 조정하세요.</p> <p>예를 들어, F1 버튼에 f8 조리개 프리셋을 불러올 수 있도록 설정하려면 버튼 속성을 '프리셋'으로 선택한 뒤, '설정'에서 '조리개'를 누르고 f8이 나타날 때까지 '파라미터' 메뉴 양쪽에 있는 화살표 아이콘을 누르세요. '프리셋'을 다시 누르면 이전 설정 항목으로 돌아갑니다.</p>
<p>켜고 끄기</p>	<p>이 버튼 속성으로 저장한 경우 기능 버튼을 눌러 특정 기능을 켜고 끌 수 있습니다. 이 모드에서는 밑의 '설정' 메뉴가 비활성화됩니다. 대신 '파라미터' 메뉴의 좌/우 화살표를 눌러 사용 가능한 옵션을 스크롤 할 수 있습니다. 오프스피드 녹화, 손떨림방지, 클린 피드, LUT 디스플레이, 프레임 가이드, 포커스 어시스트, 폴스 컬러, 지브라, 그리드, 안전 영역 가이드를 옵션으로 사용할 수 있습니다.</p> <p>켜고 끄기 속성을 통해 이 설정을 적용할 출력을 선택할 수 있습니다. 원하는 조합의 LCD와 HDMI를 선택하세요. 컬러바와 같이 모든 출력에 적용되는 옵션같은 경우, LCD 설정과 HDMI 설정은 각각 비활성화됩니다.</p>

설정 3

'설정' 탭의 세번째 페이지는 다음과 같은 설정으로 구성되어 있습니다.



LED 탈리 라이트

Blackmagic Pocket Cinema Camera 전면에 있는 탈리 라이트에 빨간 불이 들어오면 카메라가 현재 녹화 중임을 나타냅니다. LED 탈리 라이트 스위치 아이콘을 선택하여 탈리 라이트를 활성화 또는 비활성화할 수 있습니다.

LED 밝기

'낮음' 및, '중간', '높음' 중에서 원하는 옵션을 탭하여 탈리 라이트 LED의 밝기를 설정하세요.

하드웨어 ID

하드웨어 ID 표시에는 8자리의 Blackmagic Pocket Cinema Camera 식별코드가 나타납니다. 카메라마다 고유의 식별코드를 사용합니다. Blackmagic RAW 및 ProRes 비디오를 위해 이보다 더 긴 32자리 버전의 ID 또한 메타데이터에 포함되어 있습니다. 어떤 카메라의 푸티지인지 식별하는데 편리한 기능입니다.

소프트웨어

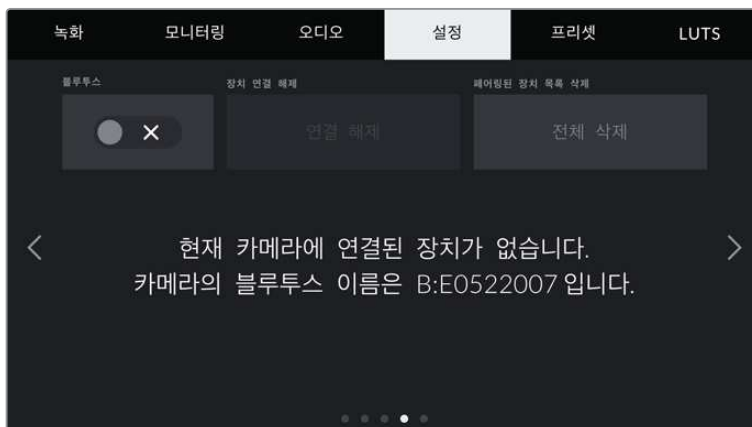
현재 설치된 소프트웨어 버전의 숫자가 나타납니다. 소프트웨어 업데이트에 대한 자세한 정보는 [Blackmagic Camera Setup 유틸리티] 부분을 참고하세요.

재생

재생 설정은 SD카드/CFast카드/USB-C 플래시 디스크에 저장된 클립 중에서 단일 클립을 재생할 것인지 또는 전체 클립 모두 재생할 것인지 LCD 터치스크린에서 선택할 수 있습니다. '전체 클립'을 선택하면 해당 모든 미디어를 연속으로 재생합니다. '단일 클립'은 한 번에 한 개의 클립만 재생합니다. 이 설정은 반복재생 기능에도 적용됩니다. '전체 클립'을 설정한 상태에서 반복 재생을 선택하면 미디어에 저장된 모든 클립이 재생된 후, 다시 반복 재생됩니다. '단일 클립'을 선택하면 한 번에 한 개의 클립만 반복 재생됩니다.

설정 4

'설정' 탭의 네번째 페이지는 다음과 같은 블루투스 설정 기능을 사용할 수 있습니다.



카메라의 블루투스 이름은 슬레이트에 입력된 카메라 알파벳과 현재 사용 중인 카메라의 하드웨어 ID 8글자로 구성되어 있습니다.

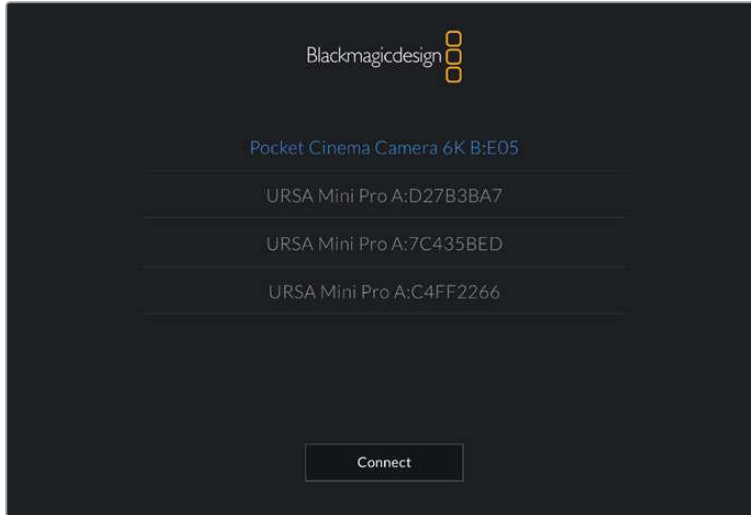
Bluetooth®

블루투스 컨트롤을 사용해 휴대용 기기에서 카메라를 무선으로 제어할 수 있습니다. Blackmagic Camera Control App을 사용하면 iPad에서 원격으로 카메라 설정을 변경하고, 메타데이터를 수정하거나, 트리거 녹화를 진행할 수 있습니다. '설정' 메뉴에서 '블루투스' 스위치 아이콘을 눌러 블루투스 기능을 켜고 끌 수 있습니다. 블루투스 기능이 활성화되면 최대 9미터 떨어진 거리에서 블루투스 기기가 카메라를 감지할 수 있습니다. Blackmagic Pocket Cinema Camera는 Blackmagic SDI 카메라 컨트롤 프로토콜과 동일한 종류의 블루투스 제어 명령어를 사용하기 때문에, 카메라 원격제어에 필요한 대부분의 설정을 제어하는, 자신만의 애플리케이션을 만들 수 있습니다. 오디오 설정, 카메라 내부의 DaVinci Resolve 컬러 커렉터 또는 렌즈 컨트롤 등을 포함한 대부분의 기능을 사용자가 직접 앱을 제작하여 원격으로 제어할 수 있습니다.

더욱 자세한 설명은 www.blackmagicdesign.com/kr/developer에서 Blackmagic 카메라 제어 관련 문서를 확인하세요.

카메라와 iPad의 최초 페어링 방법

- 1 '설정' 메뉴에서 '블루투스' 스위치 아이콘을 눌러 블루투스 기능을 활성화하세요.
- 2 Blackmagic Camera Control App을 실행한 뒤, 페어링 하려는 카메라를 선택하세요. 카메라 식별 문자와 고유 하드웨어 ID로 구성된 코드를 통해 사용 가능한 카메라가 목록에 나타납니다.
예시: A:A0974BEA



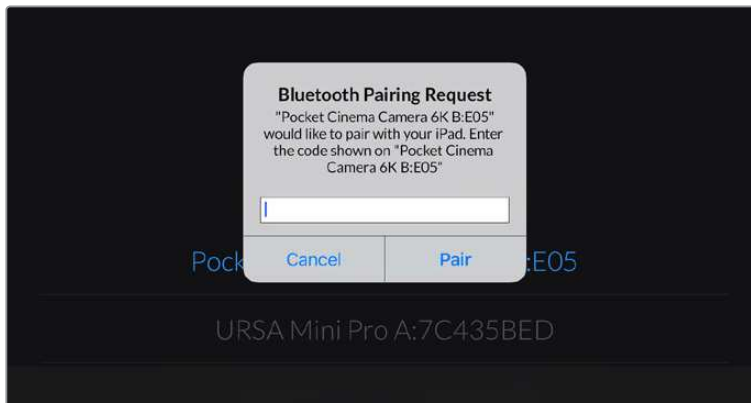
페어링 하려는 Blackmagic Pocket Cinema Camera를 선택하세요.

참고 Blackmagic Camera Control App을 설치한 뒤, 이를 처음으로 실행하면 사용자 위치 접근 허용을 묻는 메시지가 나타납니다. '사용하는 동안'을 선택하면 iPad의 GPS 정보가 촬영 중인 파일의 메타데이터에 기록되어 푸티지에 위치 정보가 나타납니다. 이 정보는 Blackmagic DaVinci Resolve 15 혹은 이후 버전에서 확인할 수 있습니다.

이 정보를 사용하지 않으려면 '안 함'을 선택하세요.

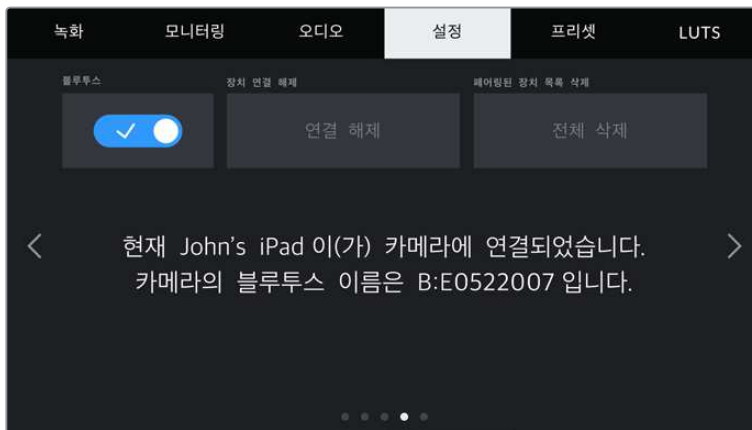
설정을 변경하려면 iPad의 설정에 들어가 '개인 정보 보호' > '위치 서비스' > '카메라'로 이동하세요.

- 3 최초 연결 시 Blackmagic Camera Control App에 카메라 페어링을 위한 6자리 코드 입력을 요청하는 메시지가 나타납니다. 해당 코드는 카메라 LCD 스크린에 나타납니다. iPad에 이 코드를 입력하고 '쌍으로 연결'을 누르세요.

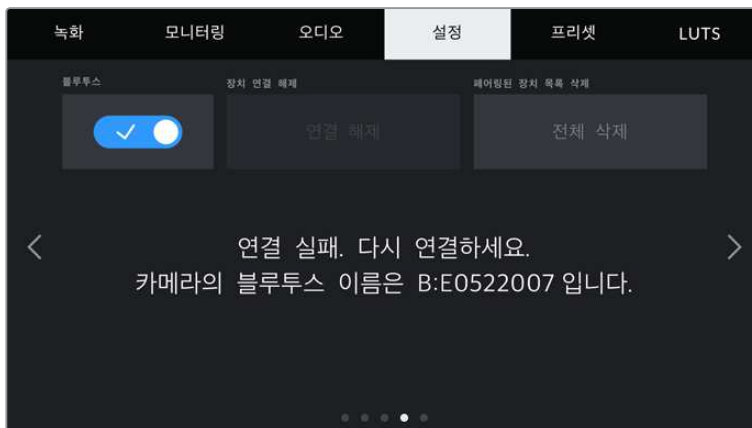




- 4 Blackmagic Pocket Cinema Camera를 iPad에 연결되면 페어링이 이루어집니다.



- 5 iPad에 카메라 연결이 실패할 경우 카메라에 오류 메시지가 나타납니다. 연결을 다시 시도하세요.



참고 Blackmagic Pocket Cinema의 블루투스 기능을 사용하지 않을 시에는 보안상 블루투스 기능을 꺼두는 것이 좋습니다.

장치 연결 해제

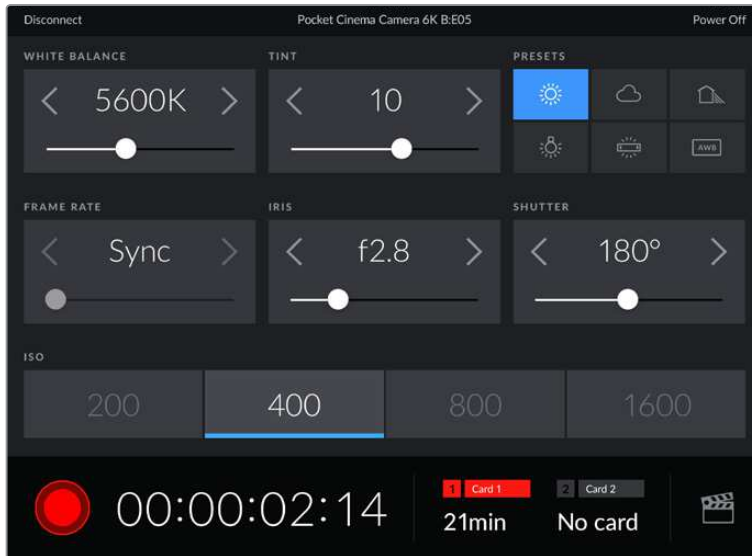
이 설정에서 iPad와 페어링된 Blackmagic Pocket Cinema Camera의 연결을 해제할 수 있습니다.

페어링된 장치 목록 삭제

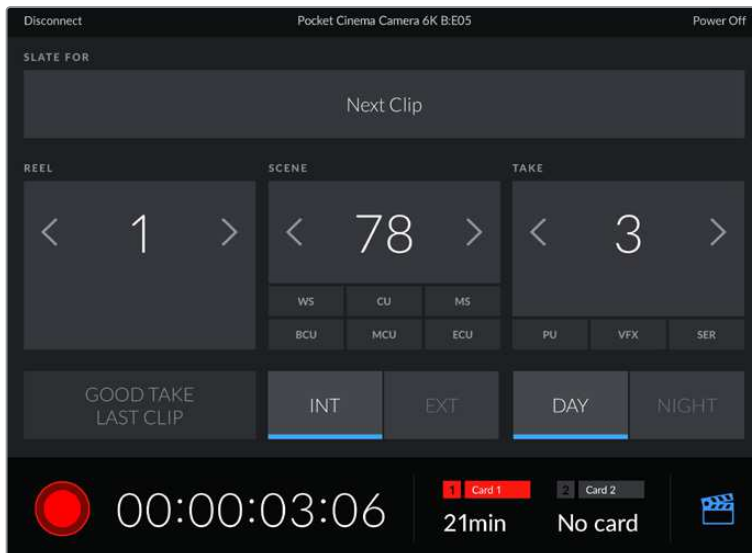
카메라와 페어링된 기기 목록을 삭제합니다.

Blackmagic Camera Control App으로 카메라 제어하기

iPad와 Blackmagic Pocket Cinema Camera가 성공적으로 페어링되면 iPad 애플리케이션을 사용해 카메라 설정 변경, 메타데이터 수정, 트리거 녹화 등을 원격으로 수행할 수 있습니다.



페어링이 완료되면 Blackmagic Camera Control App에 위와 같은 화면이 나타나 설정을 변경하고 녹화를 시작할 수 있습니다.

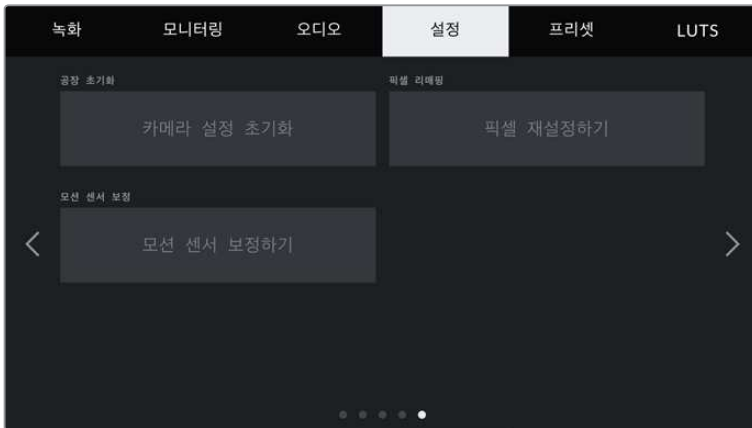


우측 하단에 있는 슬레이트 아이콘을 눌러 슬레이트를 업데이트할 수 있습니다.

Blackmagic Pocket Cinema Camera는 저전력 블루투스를 사용하여 무선 제어 기기와 통신합니다. 이는 휴대용 기기에서 사용하는 것과 동일한 프로토콜이며 배터리 소모량을 최소화합니다.

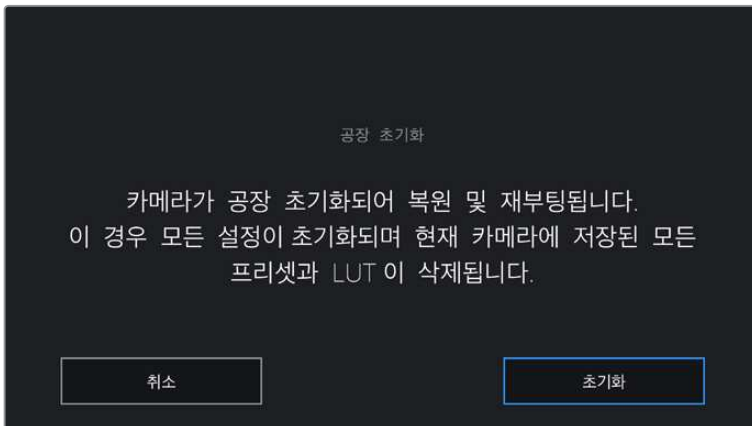
설정 5

'설정' 탭의 다섯번째 페이지는 공장 초기화 및, 픽셀 리매핑, 가로선 조정을 설정할 수 있습니다.



공장 초기화

카메라를 공장 초기화하려면 '카메라 설정 초기화' 버튼을 누르세요. 확인을 묻는 페이지에서 '초기화'를 눌러 실행합니다. 초기화가 실행되면 저장된 모든 LUT 및 프리셋이 삭제되며 모든 설정이 초기화됩니다. 공장 초기화를 실행하기 전, 메모리카드에 백업용으로 모든 프리셋을 옮겨 놓는 것을 권장합니다. 초기화가 완료된 후, 메모리카드에 옮겨둔 프리셋을 다시 불러와 빠르게 복구할 수 있습니다. 공장 초기화는 가로선 설정 또한 초기화 하므로, 공장 초기화를 완료 후 정확성을 높이기 위해 모션 센서를 조정하세요.



'초기화'를 선택하면 초기화 선택을 확인하는 메시지가 나타납니다.

픽셀 리매핑

Blackmagic Pocket Cinema Camera에서 사용되는 CMOS 센서는 빛에 반응하는 수백 만개의 픽셀로 이루어져 있습니다. 이 중 몇몇 픽셀은 시간이 지나면서 공장에서 출고됐을 당시에 비해 일부 밝기가 변할 수 있습니다. 이러한 밝기 변화가 더욱 뚜렷해지면 핫픽셀 현상이 나타나게 됩니다. 제조사와 관계없이 모든 카메라 센서는 핫픽셀 현상이 발생합니다.

이미지에 핫픽셀이 나타날 시 카메라에 내장된 보정 기능으로 이를 해결할 수 있습니다.

보정 기능을 실행하려면 카메라 렌즈 커버를 닫고 '픽셀 리매핑' 버튼을 눌러 실행합니다. 처리 시간은 약 1분 정도가 소요됩니다.

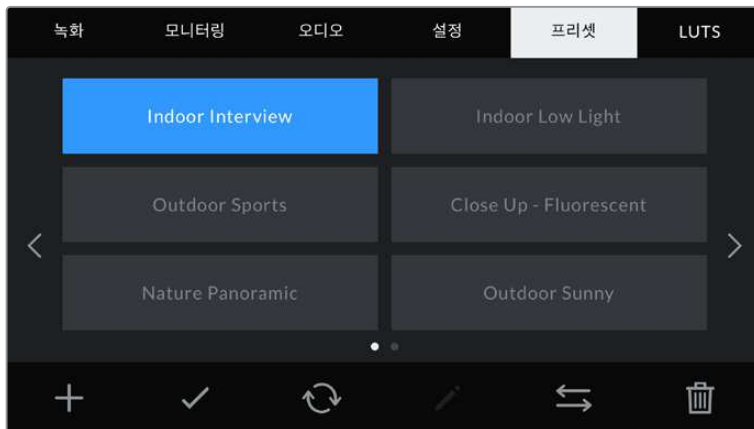
모션 센서 보정

가로선을 맞추기 위해서는 카메라를 평편한 곳에 놓고 '모션 센서 보정하기' 버튼을 눌러주세요. 실행 도중, 카메라가 움직이지 않도록 합니다. 처리 시간은 약 5초 정도가 소요됩니다.

프리셋

프리셋 탭에서는 최대 12개의 설정을 저장하고 불러오기할 수 있습니다. 한 대의 카메라를 여러 프로젝트에 사용할 경우에 굉장히 유용한 기능입니다. 예를 들어, 다큐멘터리에서 뮤직 비디오에 이르는 굉장히 다양한 촬영에 카메라를 사용하고 프로젝트 형태마다 각기 다른 설정을 적용해야 하는 경우가 있을 수 있습니다. 여기서 카메라의 프리셋 기능을 통해 특정 프로젝트 설정 및 촬영 유형을 저장한 뒤, 필요할 때 쉽고 빠르게 불러와 사용할 수 있습니다. 12가지의 프리셋 슬롯을 사용할 수 있습니다.

프리셋을 불러오기/보내기할 수 있어 다중 카메라 촬영 설정에 매우 유용합니다. 작업하는 프로젝트에 맞게 한 대의 Blackmagic Pocket Cinema Camera에서 프리셋을 설정한 다음, 촬영 현장에서 사용하는 다른 모든 Blackmagic Pocket Cinema Camera에 이 프리셋을 보내기하여 사용합니다.



'프리셋' 탭을 이용하면 저장한 설정으로 신속하게 이동할 수 있습니다.

참고 카메라 내장 메모리에는 최대 12개의 프리셋을 저장할 수 있습니다.

프리셋 버튼

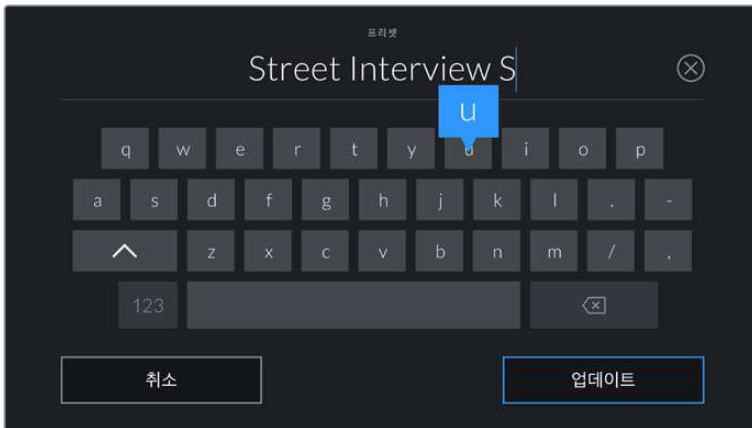
프리셋 메뉴 하단에 있는 버튼 아이콘은 다음과 같은 기능을 의미합니다.

				
추가	로딩	업데이트	관리자	삭제

프리셋 저장 및 로딩

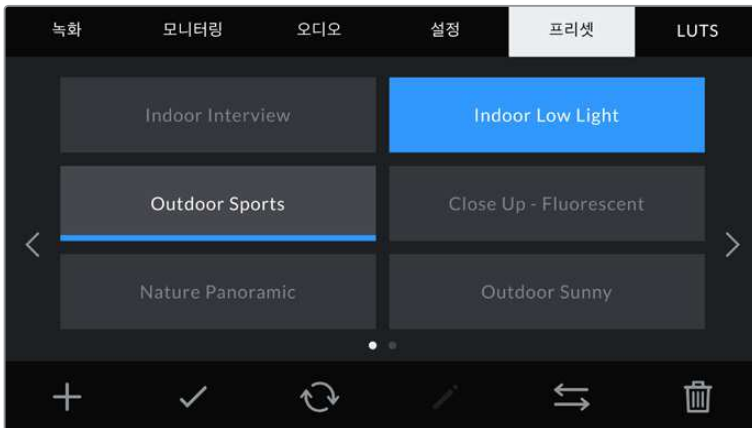
새로운 프리셋을 생성하려면 추가 아이콘을 누르세요. 그러면 LCD에 프리셋 이름을 입력할 수 있는 터치 키보드가 나타납니다. 이름을 입력하고 '업데이트'를 누르면 카메라의 모든 설정이 해당 프리셋에 저장됩니다.

사용하는 카메라에 이미 같은 이름의 프리셋이 있는 경우 기존 프리셋에 덮어쓰기하거나 모두 유지할 것인지 묻는 메시지가 나타납니다.



‘프리셋’ 탭에 있는 추가 아이콘(+)을 누르면 나타나는 터치 키보드를 사용해 프리셋 이름을 입력하세요.

프리셋을 저장한 뒤, 프리셋 메뉴에서 원하는 프리셋 이름을 누르세요. 로딩 아이콘을 눌러 프리셋을 로딩하세요.



프리셋을 선택한 뒤, 로딩 아이콘을 눌러 로딩하세요. 선택된 프리셋이 파란색으로 나타나며, 현재 로딩된 프리셋 아이콘 밑에는 파란 줄이 나타납니다.

업데이트 아이콘을 누르면 프리셋이 업데이트됩니다. 이 때 프리셋을 Blackmagic Pocket Cinema Camera의 현재 설정으로 업데이트할 것인지를 묻는 메시지가 나타납니다. 업데이트 아이콘을 누르면 완료됩니다.

프리셋 불러오기

프리셋을 불러오기하려면 ‘프리셋’ 메뉴 하단에 있는 프리셋 관리자 아이콘을 누르세요. ‘프리셋 불러오기’를 누른 다음 ‘불러오기’를 선택하세요. 그러면 프리셋 불러오기 화면이 나타납니다. 불러오려는 프리셋이 지금 사용 중인 카드 또는 드라이브에 없는 경우 터치스크린 상단에 있는 미디어 버튼을 눌러 녹화 미디어를 전환하세요. USB-C 플래시 디스크, CFast 카드, SD 카드에서 프리셋을 불러올 수 있습니다.

불러오기가 실행되면 카메라는 루트 디렉토리와 선택한 미디어에 있는 프리셋을 검색하여 사용가능한 프리셋 목록을 나타냅니다. 다른 곳에 저장된 프리셋은 나타나지 않습니다.

원하는 프리셋을 눌러 선택한 다음 ‘불러오기’ 버튼으로 선택을 확인하고 카메라 슬롯에 복사합니다.

참고 카메라 프리셋 슬롯에 12개의 프리셋이 모두 저장된 경우 불러오기 메뉴를 사용할 수 없으므로 기존 프리셋을 삭제하여 여유 공간을 마련해야 합니다.

카메라에 이미 같은 이름의 프리셋이 저장되어 있는 경우 기존 프리셋을 덮어쓰기할 것인지 또는 모두 유지할 것인지를 묻는 메시지가 나타납니다. 이 화면 우측 상단에는 현재 카메라에 남아있는 프리셋 슬롯 개수가 나타납니다. 카메라에 비어있는 슬롯 개수만큼 원하는 프리셋을 불러올 수 있습니다.

프리셋 보내기

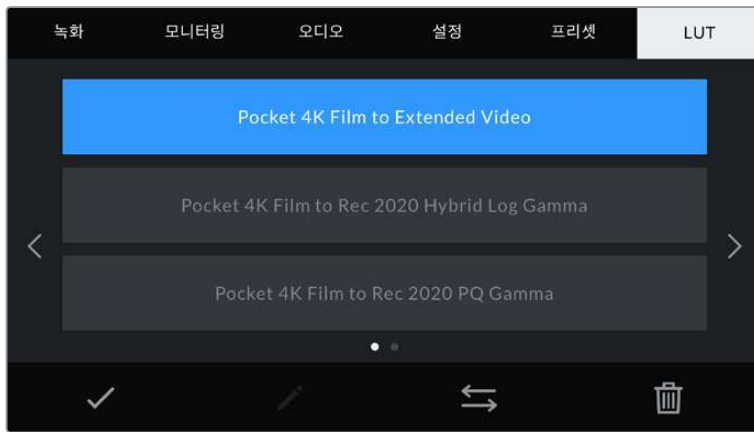
카드 또는 USB-C 플래시 디스크에 프리셋을 보내려면 원하는 프리셋을 선택한 뒤, '관리자' 버튼을 누르세요. '선택한 프리셋 보내기'를 선택한 다음, 프리셋을 보내려는 미디어를 선택합니다. 같은 이름을 가진 프리셋이 이미 저장되어 있는 경우 덮어쓰기 또는 모두 유지 할지를 선택합니다. 카메라에서 '프리셋' 폴더로 프리셋 보내기가 실행됩니다.

프리셋 삭제하기

프리셋을 삭제하려면 삭제 아이콘을 선택하세요. 확인 메시지가 나타나면 '삭제'를 선택하세요.

3D LUT

'LUT' 메뉴에서는 3D LUT을 카메라 출력에 불러오기/보내기/적용할 수 있습니다.



카메라의 'LUT' 탭에서 3D LUT 선택하기

3D LUT 소개

3D LUT는 카메라 LCD 터치스크린과 HDMI 출력 이미지에 적용할 수 있습니다. LUT는 특정 색상 및 휘도 입력에 어떤 색상과 휘도 출력을 나타내도록 카메라에 명령하는 기능입니다. 예를 들어 카메라에 상대적으로 흐릿한 색상의 파란색 입력이 전달될 경우 LUT 기능이 밝고 생생한 파란색을 표시하도록 카메라에 명령을 내립니다. Blackmagic RAW 및 필름 다이내믹 레인지는 의도적으로 채도를 낮춰 명암 대비가 낮기 때문에, 이 경우 LUT 기능을 유용하게 사용할 수 있습니다. LUT를 적용하면 색보정 작업 후 영상록에 대한 아이디어를 얻을 수 있습니다.

DaVinci Resolve 또는 기타 색보정 소프트웨어를 사용해 3D LUT을 쉽게 생성할 수 있으며 다양한 소스를 통해 온라인으로 LUT을 얻을 수 있습니다. 개당 최대 1.5MB 크기의 17포인트 또는 33포인트 3D LUT를 최대 10개까지 카메라에 저장할 수 있습니다. LUT를 로딩하면 카메라에 저장된 LUT를 선택하여 LCD 터치스크린과 HDMI 출력에 나타낼 수 있습니다.

Blackmagic Pocket Cinema Camera는 DaVinci Resolve에서 생성된 .cube 포맷의 33 포인트 3D LUT과 LUT 변환 프로그램을 통해 Resolve .cube 포맷으로 변환된 17 포인트 3D LUT를 지원합니다. 카메라에서는 고품질 4면체 보간법을 사용해 3D LUT를 처리합니다.

정보 LUT 디스플레이에 관한 자세한 정보는 본 설명서의 [모니터링 설정] 부분을 참고하세요.

참고 Blackmagic Pocket Cinema Camera는 녹화 영상에 LUT 적용 또는 LUT 굽기가 기본 설정으로 되어있지 않지만, 영상에 LUT를 함께 녹화하도록 설정할 수 있습니다.

후반 제작 단계에서 색보정 할 시간이 없거나, 촬영 영상을 바로 고객 또는 편집자에게 전달해야하는 경우에 사용하기 유용한 기능입니다.

현장에서 LUT를 프리뷰 도구로 사용할 경우, 적용한 LUT에 관한 정보는 녹화 영상에 메타데이터로 저장됩니다. DaVinci Resolve의 메타데이터 탭에 있는 'LUT Used'란에 이 정보가 나타나며, 컬러리스트는 이를 통해 촬영장에서 사용된 LUT 이름을 확인할 수 있습니다.

내장 LUT

카메라에는 수많은 LUT이 내장되어 있어 필름 다이내믹 레인지 모드 또는 Blackmagic RAW로 촬영하는 동안 각기 다른 영상록을 미리보기 할 수 있습니다.

각 카메라는 다음과 같이 센서마다 다른 LUT를 제공합니다.

Pocket 4K Film to Extended Video / Pocket 6K Film to Extended Video

Pocket 4K Film to Video LUT나 Pocket 6K Film to Video LUT보다 훨씬 넓은 다이내믹 레인지를 제공하며, 하이라이트 롤오프가 부드러우며, 대비 변경이 자연스럽게 적용됩니다.

Pocket 4K Film to Rec 2020 Hybrid Log Gamma / Pocket 6K Film to Rec 2020 Hybrid Log Gamma

REC 709와 Log 이미지의 혼합 이미지가 나타납니다.

Pocket 4K Film to Rec 2020 PQ Gamma / Pocket 6K Film to Rec 2020 PQ Gamma



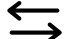

사람의 눈으로 감지할 수 있는 감마 커브를 제공하여 HDR 영상을 효율적으로 인코딩할 수 있습니다.

Pocket 4K Film to Video / Pocket 6K Film to Video

HD 비디오를 위한 REC 709 색 표준과 비슷하며 대비 및 채도가 매우 높습니다. REC 709 색공간을 지원하는 다른 방송용 카메라와 함께 Blackmagic Pocket Cinema Camera를 사용할 경우에 유용한 설정입니다.

LUT 버튼

카메라의 'LUT' 화면 아래에 있는 버튼 아이콘은 다음과 같은 기능을 의미합니다.

			
로딩	미디어	관리자	삭제

LUT 불러오기

3D LUT을 불러오기하려면 'LUT' 메뉴 하단에 있는 '관리자' 아이콘을 누르세요. 'LUT 불러오기'를 누른 다음, '불러오기'를 선택하세요. 그러면 LUT 불러오기 화면이 나타납니다. 원하는 3D LUT이 현재 사용 중인 카드 또는 드라이브에 없는 경우, 터치스크린 상단에 있는 미디어 버튼을 눌러 녹화 미디어를 전환하세요. USB-C 플래시 디스크, CFast 카드, SD 카드에서 LUT을 불러올 수 있습니다.

불러오기가 실행되면 카메라는 루트 디렉토리와 선택한 미디어의 '3DLUTs' 폴더를 검색하여 사용 가능한 프리셋 목록을 나타냅니다. 다른 곳에 저장된 LUT는 나타나지 않습니다.

원하는 LUT을 선택한 다음, '불러오기' 버튼을 눌러 선택을 확인하고 카메라 슬롯에 이를 복사합니다.

참고 모든 10개의 3D LUT 슬롯이 꽉찬 상태에서 새로운 LUT를 불러오기하려면 먼저 저장된 LUT를 삭제하여 공간을 마련해야 합니다.

카메라에 이미 같은 이름의 LUT이 저장된 경우, 기존 LUT에 덮어쓰기 또는 모두 유지할 것인지를 묻는 메시지가 나타납니다. 이 화면 우측 상단에는 현재 카메라에 남아있는 LUT 슬롯 개수가 나타납니다. 카메라에 비어있는 슬롯 개수만큼 원하는 LUT를 불러올 수 있습니다.

참고 LUT 불러오기가 실행되지 않을 경우 크기에 문제가 있을 수 있습니다. Lattice 같은 LUT 편집기를 사용해 용량을 확인하거나 컴퓨터에서 아무 문서 편집기를 사용해 열어 보세요. LUT_3D_SIZE 태그 옆에 있는 숫자는 LUT의 크기를 나타냅니다. 이 숫자가 17 또는 33에 해당하지 않을 경우 Lattice를 사용해 3D LUT를 17 포인트로 조정할 수 있습니다.

LUT 적용하기

카메라에 LUT를 저장하면 'LUT' 메뉴에서 해당 LUT를 누르고 로딩 아이콘을 선택하세요. 그러면 사용하는 모든 카메라 출력에 해당 LUT를 적용할 수 있습니다. 카메라에 로딩된 LUT를 카메라 출력에 나타나게 하려면 '모니터링' 메뉴에서 'LUT 표시'를 ON으로 설정하세요. 더 자세한 정보는 [모니터링 설정] 부분을 참고하세요.

LUT 보내기

카드 또는 USB-C 플래시 디스크에 LUT를 보내려면 원하는 LUT를 선택한 뒤, '관리자' 버튼을 누르세요. '선택한 LUT 보내기'를 선택한 다음, LUT를 보내려는 미디어를 선택합니다. 같은 이름을 가진 LUT가 이미 저장되어 있는 경우 덮어쓰기 또는 모두 유지할 지를 선택합니다. 카메라가 LUT를 '3DLUTs' 폴더로 내보냅니다.

LUT 삭제하기

더 이상 사용하지 않는 LUT를 삭제하거나, 저장 공간을 확보하려면 삭제할 LUT를 선택하고 삭제 아이콘을 누르세요. 확인 메시지가 나타나면 '삭제'를 선택하세요.

임베디드 3D LUT

Blackmagic Pocket Cinema Camera에서 Blackmagic RAW 포맷으로 촬영하는 동안 3D LUT를 적용할 경우, 선택한 LUT가 현재 녹화 중인 Blackmagic RAW 파일에 임베드됩니다. 3D LUT는 .braw 파일 헤더에 저장되며, 후반 제작 과정에서 해당 LUT를 푸티지에 손쉽게 적용할 수 있어 별도의 파일을 사용할 필요가 없습니다.

편집자나 컬러리스트에게 Blackmagic RAW 파일을 전달하면 편집자 혹은 컬러리스트가 촬영 중 사용된 LUT에 손쉽게 접속할 수 있어 클립에 잘못된 3D LUT가 적용될 가능성이 현저하게 낮아집니다. 영상 편집 또는 색보정 작업 중에 해당 3D LUT의 적용 여부를 선택할 수 있으며, 적용된 3D LUT은 언제든지 비활성 시킬 수 있습니다.

'녹화' 메뉴에서 '클립에 LUT 녹화하기' 스위치를 ON으로 설정할 경우, 녹화된 클립은 항상 선택한 3D LUT가 적용된 상태로 Blackmagic RAW 플레이어 및 DaVinci Resolve에서 열립니다.

3D LUT는 쉽게 켜고 끌 수 있는데 이는 해당 정보가 클립 자체에 입력되어 Blackmagic RAW 파일에 항상 남아있기 때문입니다. DaVinci Resolve의 LUT RAW 설정 팔레트에는 Blackmagic RAW 파일에서 3D LUT를 활성화 또는 비활성화할 수 있는 'Apply LUT' 스위치가 있습니다.

DaVinci Resolve의 'Apply LUT' 설정은 카메라에 있는 설정과 동일합니다. 다시 말해, 촬영할 때 컬러리스트들이 카메라에 설정해둔 LUT를 사용하도록 안내할 수 있지만, 언제나 DaVinci Resolve에서 'Apply LUT'를 OFF로 설정해 해당 LUT를 쉽게 끌 수 있습니다.

메타데이터 입력

메타데이터는 클립 속에 저장된 테이크 넘버와 카메라 설정, 기타 식별 정보 등을 의미합니다. 이는 후반 작업에서 영상을 분류 및 처리할 때 유용한 정보입니다. 예를 들어 테이크/샷/신 넘버가 영상을 관리에 필수적인 도구라면 렌즈 정보는 자동으로 왜곡 현상을 제거하거나 VFX 요소가 플레이트에 더욱 잘 어울리도록 만드는 데 사용됩니다.

Blackmagic Pocket Cinema Camera에는 카메라 설정과 타임코드, 날짜 및 시간같은 일부 메타데이터가 자동으로 저장됩니다. 또한 카메라 슬레이트에 다양한 부가 정보를 추가할 수 있습니다.

슬레이트

카메라 터치스크린을 좌/우로 쓸어 넘기면 슬레이트 화면이 나타납니다.

슬레이트 메뉴는 '클립'과 '프로젝트' 두 가지 탭으로 구성되어 있습니다. '클립' 탭에서는 클립마다 각기 다른 정보를 설정할 수 있는 반면, '프로젝트' 탭에서는 프로젝트 이름과 감독, 카메라, 카메라 운영자 정보를 모든 클립에 일괄 적용할 수 있습니다.

정보 '감독'으로 설정한 경우 슬레이트에 입력된 메타데이터 정보는 HDMI 출력에 나타납니다. 더 자세한 정보는 본 설명서의 [모니터링 설정] 부분을 참고하세요.

클립 메타데이터

클립 메타데이터의 변경 방법은 대기 모드와 재생 모드에서 서로 다릅니다. 대기 모드에서 카메라 녹화 준비가 완료되면 클립 메타데이터가 다음 녹화 클립에 저장됩니다. 단, '마지막 클립에 굿 테이크 표시하기' 버튼을 사용하면 가장 최근에 녹화한 클립에 굿 테이크 태그가 적용됩니다. 재생 모드에서 녹화 푸티지를 확인하면 굿 테이크 버튼이 화면에 나타나고 클립 메타데이터는 항상 현재 재생중인 클립과 함께 저장됩니다.



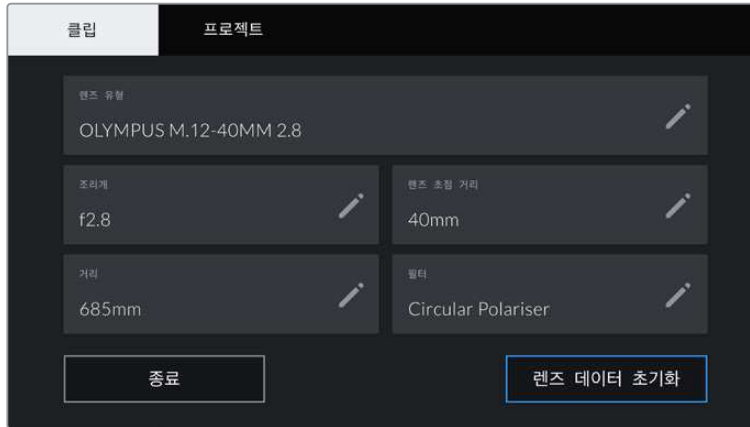
카메라가 재생 모드일 경우, '슬레이트를 적용할 클립'에서 슬레이트가 적용된 클립을 확인할 수 있고 '굿 테이크' 버튼이 나타납니다. 대기 모드에서는 다음 클립과 관련된 슬레이트가 표시되며 '마지막 클립에 굿 테이크 표시하기' 버튼이 나타납니다.

슬레이트를 적용할 클립

이 설정에는 '클립' 메뉴에 현재 표시된 메타데이터를 적용할 클립이 나타납니다. 재생 모드에서는 슬레이트가 현재 클립에 적용되고, 대기 모드에서는 다음에 녹화할 클립에 적용됩니다.

렌즈 데이터

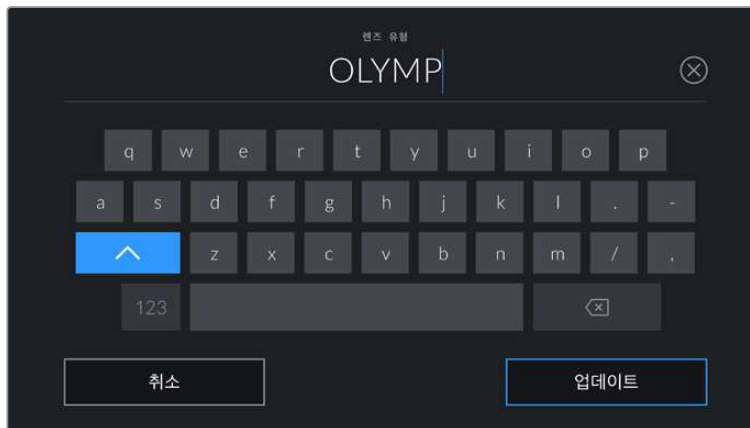
이 설정에서는 현재 카메라에 장착된 렌즈 정보가 표시됩니다. 전자식 렌즈 중 다수는 렌즈 모델과 조리개, 초점 거리 등의 정보를 자동으로 제공합니다. 이런 정보를 제공하지 않는 렌즈를 사용하고 있거나 추가 정보를 입력하고자 하는 경우 연필 모양 아이콘을 눌러 정보를 수동으로 입력할 수 있습니다. 그러면 다음과 같은 정보가 담긴 렌즈 데이터 메뉴가 나타납니다.



‘렌즈 데이터’ 메뉴에는 카메라에 장착된 렌즈의 데이터가 자동으로 표시되며 이와 함께 수동으로 입력되는 필터 정보가 나타납니다.

· 렌즈 유형

사용 렌즈 모델을 확인할 수 있습니다. 렌즈 유형이 자동으로 나타나지 않을 경우 이 설정을 눌러 해당 정보를 수동으로 입력할 수 있습니다. 카메라 내부의 데이터 베이스에 자주 사용하는 렌즈 정보가 저장되어 있어, 데이터 수동 입력 시 카메라에서 자동으로 모델명을 제시합니다. 이를 통해 데이터를 신속하게 입력할 수 있습니다.



렌즈 데이터가 자동으로 제공되지 않을 경우 터치 키보드를 사용해 입력할 수 있습니다.

· 조리개

클립 시작 부분에 조리개 설정이 표시됩니다. 정보를 자동으로 제공하는 렌즈 사용 시, F값 또는 T값으로 표시됩니다. 이 설정을 눌러 데이터를 수동으로 입력할 수 있습니다.

· 렌즈 초점 거리

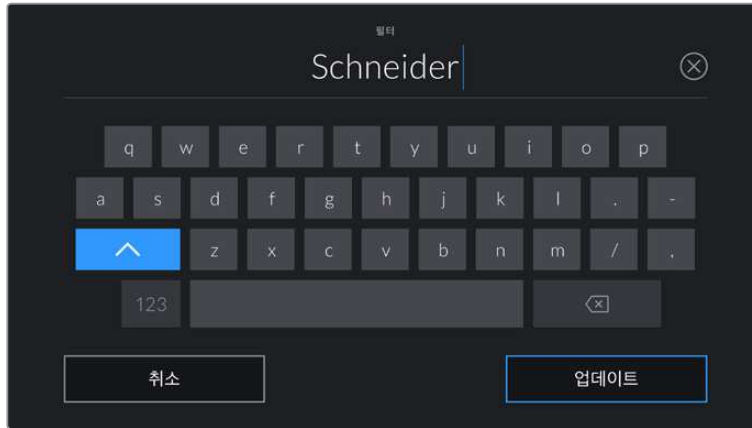
녹화 클립 시작 부분에 렌즈 초점 거리 설정이 표시됩니다. 정보를 자동으로 제공하는 렌즈의 사용 시, 초점 거리는 밀리미터로 표시됩니다. 이 설정을 눌러 초점 거리를 수동으로 입력할 수 있습니다.

• **거리**

녹화 클립에서 렌즈와 피사체 초점 사이의 거리를 나타냅니다. 일부 렌즈에서는 이 데이터가 밀리미터로 자동 제공됩니다. 이 데이터 역시 수동으로 입력 가능합니다.

• **필터**

현재 렌즈에 사용된 필터가 표시됩니다. 이 설정을 눌러 데이터를 수동으로 입력할 수 있습니다. 쉼표를 사용해 여러 개를 입력할 수 있습니다.



필터 정보는 수동으로 입력해야 합니다.

참고 '렌즈 데이터' 메뉴에서 '렌즈 데이터 초기화' 버튼을 누르면 언제든지 렌즈 데이터를 삭제할 수 있습니다. 선택을 확인하는 메시지가 나타납니다. 확인 과정 후 모든 렌즈 데이터가 삭제되며 현재 장착된 렌즈에서 제공하는 렌즈 데이터로 다시 채워집니다. 이 입력란에 수동으로 직접 정보를 입력한 경우 다음에 렌즈를 장착할 때 렌즈 데이터를 다시 입력해야 합니다. 그렇지 않으면 이전 렌즈 정보가 그대로 남게 됩니다.

릴

현재 릴을 표시합니다.

Blackmagic Pocket Cinema Camera에서는 릴 넘버가 자동으로 증가하기 때문에 일반적으로 직접 입력하지 않습니다. 새로운 프로젝트로 이동해 릴 넘버 1부터 시작해야 하는 경우 슬레이트의 '프로젝트' 탭으로 이동해 '프로젝트 데이터 초기화'를 누르세요.

신

'신' 메뉴는 현재 장면 번호를 표시하며 현재 샷 넘버와 샷 유형도 표시할 수 있습니다.

이 표시의 숫자는 항상 현재 신을 나타냅니다. 신 번호 양옆에 있는 좌/우 화살표를 사용해 숫자를 올리거나 줄일 수 있으며 신 번호를 눌러 편집기로 이동할 수도 있습니다.

신 번호는 1부터 9999까지 설정할 수 있습니다.

신 번호 편집기에서 신 번호 뒤에 알파벳을 추가해 현재 숫을 표시할 수도 있습니다. 예를 들어 23A는 신 번호 23과 숫 1을 의미합니다. 장면 번호에 숫 알파벳이 추가된 경우 카메라에서 장면 번호 편집기에 들어갈 때마다 다음 장면 번호와 숫 알파벳이 나타납니다. 현재 신 번호가 7B일 경우 카메라는 8과 7C를 제안합니다.

장면 번호 표시 우측 상단에는 현재 숫 유형과 관련된 정보 또한 표시됩니다. 이 설정은 숫 키보드 우측에 있는 신 넘버 편집기에서 선택 가능합니다.

숫 유형은 다음과 같습니다.

WS	와이드 숫
MS	미디엄 숫
MCU	미디엄 클로즈업
CU	클로즈업
BCU	빅 클로즈업
ECU	익스트림 클로즈업



신 메타데이터를 입력하는 경우 카메라의 터치 키보드 왼쪽에 신 번호를, 오른쪽에서는 숫 종류를 제안합니다.

테이크

테이크 표시는 현재 숫의 번호를 표시합니다. 테이크 넘버 양옆의 좌/우 화살표를 사용해 숫자를 높이거나 낮출 수 있으며 표시를 눌러 테이크 번호 편집기로 이동할 수도 있습니다.

정보 숫 번호 또는 신 번호를 앞당기면 테이크 번호가 1로 되돌아갑니다.

테이크 번호 편집기에서 테이크 관련 설명을 추가할 수 있습니다. 테이크 번호 키보드 우측에 나타나는 표시는 다음과 같은 설명을 나타냅니다.

P/U 보충 촬영을 뜻하며, 주요 촬영이 끝난 뒤 기존 테이크를 재촬영하여 보충하는 것을 말합니다.

VFX 시각 효과를 적용할 테이크 및 샷을 말합니다.

SER 시리즈를 의미하며, 카메라 촬영 도중 여러 테이크가 촬영된 상황을 나타냅니다.



'대기 모드'에서 테이크 넘버가 자동으로 증가하도록 설정하려면 [A] 버튼을 누르세요. 이제 각 녹화 클립의 테이크 넘버가 자동 증가합니다. 해당 기능이 활성화되면 슬레이트의 테이크 번호 옆에 A가 작게 표시됩니다.

'테이크' 메타데이터를 입력하면 Blackmagic Pocket Cinema Camera의 터치 키보드 오른쪽에 추가 샷 유형이 제시됩니다.

굿 테이크

'굿 테이크'를 누르면 깃발 표시가 추가되어 후반 작업 시 편리하게 구분할 수 있습니다. 이 버튼은 현재 재생 모드에서 화면에 나타나는 클립에 굿 테이크 태그를 적용합니다. 카메라가 대기 모드일 경우, '마지막 클립에 굿 테이크 표시하기' 버튼은 가장 마지막 촬영한 클립에 굿 테이크 태그를 적용합니다.

내부 / 외부

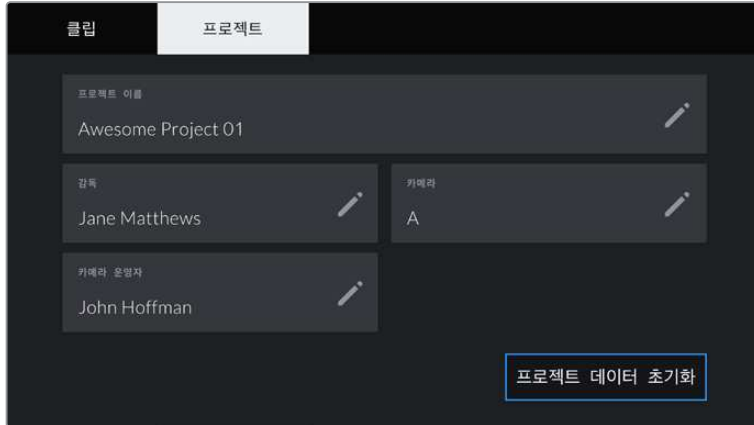
'내부' 혹은 '외부'를 누르면 대기 모드에서는 다음 녹화될 클립에, 재생 모드에서는 현재 클립에 내부/외부 태그를 추가할 수 있습니다.

낮 / 밤

'낮' 혹은 '밤' 아이콘을 누르면 대기 모드에서는 다음 녹화될 클립에, 재생 모드에서는 현재 클립에 낮/밤 태그를 추가할 수 있습니다.

프로젝트 메타데이터

프로젝트 메타데이터는 대기 모드 또는 재생 모드와 상관 없이 동일한 방식으로 작동합니다. 이 메타데이터는 프로젝트 전체에 해당되며 클립 번호와는 관련이 없습니다.



카메라의 '프로젝트' 탭에서 프로젝트 정보를 입력하세요.

프로젝트 이름

현재 프로젝트 이름을 표시합니다. 연필 아이콘을 눌러 프로젝트 이름을 변경하세요.

감독

현재 프로젝트의 감독 이름을 표시합니다. 연필 아이콘을 눌러 감독 이름을 변경하세요.

카메라

한 글자로 된 카메라 색인을 표시합니다. 연필 아이콘을 눌러 카메라 색인을 변경하세요.

카메라 운영자

카메라 운영자를 표시합니다. 연필 아이콘을 눌러 카메라 운영자 이름을 변경하세요.

카메라의 비디오 출력

HD 모니터링 출력

카메라 풀 사이즈 HDMI 커넥터는 1080p HD 영상을 출력하므로, 쉽게 모니터 또는 소비자용 TV 세트에 연결해 영상을 확인할 수 있습니다. 이 10비트 출력은 또한 HDR 출력과 카메라 상태를 보여주는 온스크린 오버레이를 지원하여 촬영장 모니터링에 사용하기 최적입니다.

HDMI 모니터링은 카메라가 지미집, 크레인, 차량에 설치되어 있을 때처럼 LCD 모니터 사용이 불가능한 상황에서 사용하기 유용한 기능입니다. 화면 설정 메뉴에서 HDMI 오버레이 설정을 조정하여 모니터링 정보를 HDMI 출력에 나타나게 할 수 있습니다. HDMI 오버레이는 녹화 정보 및 카메라 설정과 같은 정보와 프레임 가이드를 제공합니다. 본인이 촬영하는 장면만 모니터링하고 싶은 경우, 언제든지 오버레이 기능을 끄고 HDMI에 클린피드를 출력할 수 있습니다.

Blackmagic Micro Converter HDMI to SDI같은 컨버터를 사용하여 신호를 SDI로 변환하여 SDI 모니터 및 캡처 기기, 방송 스위처, 기타 SDI 장비에 연결할 수 있습니다. Blackmagic Pocket Cinema Camera의 USB 포트를 통해 Blackmagic Micro Converter HDMI to SDI에 전원을 공급할 수도 있습니다.

DaVinci Resolve 사용하기

Blackmagic Pocket Cinema Camera를 사용한 촬영은 영화 및 TV 콘텐츠 제작의 일부 단계로, 미디어 백업 및 관리, 편집 및 색보정, 마스터 파일 인코딩 작업 또한 촬영 못지않게 상당히 중요합니다. Pocket Cinema Camera는 Mac OS/Windows 지원 DaVinci Resolve와 함께 제공되므로 촬영과 후반 제작을 위한 일체형 솔루션을 갖출 수 있습니다.



참고 Blackmagic Pocket Cinema Camera로 촬영한 클립에 보다 정확한 색보정을 적용하려면 항상 최신 버전의 DaVinci Resolve를 사용할 것을 권장합니다. DaVinci Resolve 16 혹은 그 이후 버전을 사용하면 모든 Blackmagic Pocket Cinema Camera 모델과 최신 Blackmagic RAW 기능을 위한 정확한 컬러를 사용할 수 있습니다.

CFast/SD 카드/SSD를 컴퓨터에 연결한 뒤, DaVinci Resolve의 미디어 페이지에서 클론 도구를 사용하면, 촬영과 동시에 미디어를 백업할 수 있습니다. 모든 종류의 미디어는 손상 및 결함 발생 위험이 있으므로, 미디어를 백업해 촬영한 샷이 손실되는 위험을 방지하는 것이 좋습니다. DaVinci Resolve 안에서 미디어를 백업해 놓으면, 미디어풀에 클립을 추가하여 편집 및 색보정, 최종 작업까지 DaVinci Resolve 프로그램 안에서 모두 마칠 수 있습니다.

대부분의 주요 블록버스터 영화 제작에서 사용하는 DaVinci Resolve는 첨단 디지털 영화를 위한 최고 성능 기술을 탑재한 소프트웨어로 일반 비선형 편집 소프트웨어 도구와는 비교할 수 없을 만큼 그 성능이 강력합니다. DaVinci Resolve를 사용하여 이러한 최첨단 기술의 편집 및 색보정을 활용해 보세요.

이 부분에는 DaVinci Resolve에서 카메라 파일을 사용하는 방법이 자세하게 설명되어 있습니다. DaVinci Resolve는 프로그램 실행 시 처음 나타나는 사용자 인터페이스에서 확인하는 기능보다 훨씬 다양한 기능을 제공합니다. DaVinci Resolve에 대한 보다 자세한 정보는 Blackmagic Design 홈페이지의 DaVinci Resolve 설명서를 통해 확인하시기 바랍니다. 또한 홈페이지에서 다양한 트레이닝 코스 및 튜토리얼 영상을 확인할 수 있습니다.

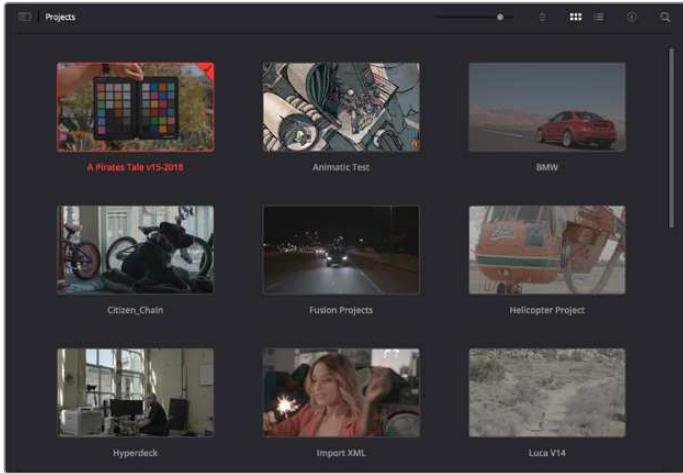
프로젝트 매니저

클립을 불러와 편집을 시작하기 전 프로젝트 매니저를 사용하여 새로운 프로젝트를 만들어야 합니다.

DaVinci Resolve를 실행하면 첫 화면에서 프로젝트 매니저를 확인할 수 있습니다. 후에 언제든지 사용자 인터페이스의 오른쪽 하단의 홈 아이콘을 클릭하여 프로젝트 매니저를 다시 열 수 있습니다. 이 아이콘은 이전 프로젝트를 열고 싶을 때나 새로운 프로젝트를 더 만들고 싶을 때 유용합니다.

새로운 프로젝트를 만들려면, 창 하단의 'New Project'를 클릭하고 프로젝트 명을 정합니다. 'Create'를 클릭합니다.

컷(CUT) 페이지를 사용하면 곧바로 편집을 시작할 수 있습니다. 프로젝트 매니저는 현재 사용자의 모든 프로젝트를 보여줍니다.



프로젝트 매니저는 현재 사용자의 모든 프로젝트를 보여줍니다.

프로젝트 매니저에 대한 자세한 정보는 Blackmagic Design 지원 온라인 페이지에 있는 DaVinci Resolve 설명서를 다운로드하여 확인할 수 있습니다.

컷 페이지를 사용하여 편집하기

컷(CUT) 페이지는 보다 빠르고 역동적인 편집 워크플로를 제공하여 클립을 빠르게 모으고 다듬을 수 있으며 효과적으로 편집할 수 있습니다.

두 개의 활성화 된 타임라인은 전체적 편집 및 세부 편집을 동시에 가능하게 합니다. 즉, 널찍한 타임라인 공간에서 원하는 클립을 원하는 곳으로 옮기고, 세부 타임라인에서는 보다 정교한 편집을 수행할 수 있습니다. 이 워크플로를 사용하면 스크롤, 확대 및 축소 작업 없이 노트북 컴퓨터에서도 편집이 가능하여 작업 시간을 획기적으로 단축할 수 있습니다.

컷 페이지 레이아웃

컷 페이지를 열면 미디어 풀 및, 뷰어 윈도우, 타임라인이 나타납니다. 이 세 창이 편집 작업 시 완벽한 제어 기능을 제공하는 주요 창입니다.



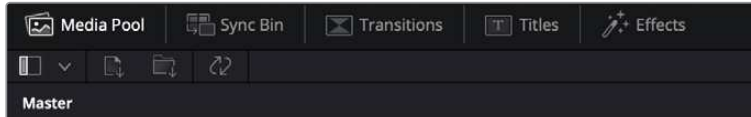
아이콘 모양의 미디어 풀이 있는 컷 페이지의 기본 모습

컷 페이지에 대한 보다 자세한 정보는 DaVinci Resolve 설명서의 '컷 페이지 사용하기' 부분을 참고하시기 바랍니다.

미디어 탭

사용자 인터페이스의 왼쪽 상단에 다섯 개의 탭이 있습니다.

이 탭을 클릭하여 편집에 사용할 미디어 도구모음을 열어보세요. 첫 번째 탭은 미디어 풀(Media Pool) 탭으로, 이미 해당 탭이 선택되어 있는 것을 확인할 수 있습니다. 그 외 나머지는 동기화 빈(Sync Bin) 및 트랜지션(Transitions), 타이틀(Titles), 효과(Effects)입니다.



- **미디어 풀:** 미디어 풀에는 미디어 페이지를 사용하여 불러오기 한 모든 클립 및 폴더, 파일이 담겨 있습니다. 컷 페이지에서 바로 이러한 파일들을 곧바로 불러오기 할 수 있으므로, 작업 시 클립을 더 불러오고 싶을 경우, 미디어 페이지로 되돌아갈 필요가 없습니다.
- **동기화 빈:** 이 강력한 기능은 모든 클립을 타임코드 및 날짜, 시각에 따라 자동으로 정렬하여, 멀티캠 영상 프로젝트를 편집 시 다양한 각도에서 촬영된 클립을 손쉽게 확인 및 선택할 수 있습니다.
- **트랜지션:** 이 탭을 클릭하면 편집에 사용할 수 있는 모든 비디오 및 오디오 트랜지션을 확인할 수 있습니다. 대표적으로 크로스 디졸브 및 모션 와이프 등이 있습니다.
- **타이틀:** 트랜지션 탭 옆에 있는 타이틀 탭을 클릭하면 원하는 타이틀 유형을 선택할 수 있습니다. 예를 들어, 스크롤 및 일반 텍스트, 하단 3분의 1 그래픽 등을 사용할 수 있습니다. 또한, Fusion 템플릿 목록을 사용하여 보다 역동적인 애니메이션 타이틀을 사용할 수 있으며, Fusion 페이지에서 직접 변경하여 만들 수도 있습니다.
- **효과:** 다섯번째 탭은 효과 탭으로, 편집에 생동감을 불어넣을 수 있는 다양한 종류의 필터 및 효과를 제공합니다. 대표적으로 사용자에게 맞게 조정 가능한 블러 및, 글로우, 렌즈 효과가 있습니다. 이 외에도 수많은 강력한 효과들이 있는데, 검색창(Search)을 사용하면 보다 빠르게 원하는 효과를 찾을 수 있습니다.

정보 미디어 탭의 아이콘 근처에 있는 검색창을 사용하여 원하는 효과를 바로 찾아보세요. 예를 들어, 트랜지션 탭을 선택한 후, 검색창에 'dissolve'를 입력하면 디졸브 관련 트랜지션만 나타나기 때문에, 그중에서 원하는 디졸브 트랜지션을 보다 빠르게 찾을 수 있습니다.




뷰어 탭

뷰어 창의 왼쪽 상단에는 뷰어 모드 버튼들이 있습니다.



뷰어 모드 버튼

이 버튼들은 소스 클립 뷰어 및 소스 타임라인 뷰어, 타임라인 뷰어로, 현재 사용되고 있는 뷰어 모드를 확인할 수 있습니다. 이 뷰어 모드들은 편집 과정에서 클립을 선택할 때 큰 도움을 주기 때문에, 각 버튼들이 어떤 기능을 하는지 살펴볼 필요가 있습니다.



	소스 클립	소스 클립 뷰어는 미디어 풀에서 선택한 단일 클립을 보여주며 뷰어 타임라인을 따라 전체 길이를 훑고 인/아웃 포인트를 지정할 수 있기 때문에 훨씬 수월하게 작업할 수 있습니다. 미디어 풀에서 확인하려는 소스 클립을 더블클릭하거나, 뷰어로 드래그 하세요.
	소스 테이프	미디어 풀에 담긴 전체 클립을 확인하는데 유용한 기능입니다. 이 강력한 기능은 전체 클립들을 빠르게 확인하여 특정 부분을 확인하는데 유용합니다. 클립에 놓여 있는 플레이헤드를 스크러빙하면, 미디어 풀에서 해당 클립의 썸네일이 선택되는 것을 확인할 수 있습니다. 즉, 편집하고자 하는 클립을 찾은 후, 소스 클립 탭을 클릭하면 해당 소스 클립이 자동으로 뷰어에 나타납니다. 소스 테이프 뷰어를 통해 비선형 편집 작업의 장점을 최대한으로 이용할 수 있기 때문에, 자유롭게 편집하고 슷을 빠르게 찾을 수 있으며, 새로운 아이디어를 시도하면서 창의력을 마음껏 발휘할 수 있습니다.
	타임라인	타임라인 뷰어로 편집 타임라인을 볼 수 있으며 프로젝트를 재생하고 섬세하게 편집할 수 있습니다.

미디어 풀로 클립 가져오기

이제, 원하는 미디어를 프로젝트로 가져와 봅시다. 이 작업은 컷 페이지의 미디어 풀 창에서 상단에 있는 가져오기 도구를 사용합니다.



두 가지 옵션 중 하나를 선택하여 원하는 미디어를 프로젝트로 가져옵니다.

	미디어 가져오기	저장 위치에서 개별적인 미디어 파일을 선택하여 가져올 때 사용합니다.
	미디어 폴더 가져오기	저장 위치에서 원하는 폴더를 가져올 때 사용합니다. DaVinci Resolve로 폴더를 가져올 경우, 파일의 구조가 그대로 유지되며, 각 폴더는 개별적인 빈으로 인식되기 때문에 빈을 이동하며 원하는 비디오 및 기타 미디어 파일을 찾을 수 있습니다.

미디어 가져오기

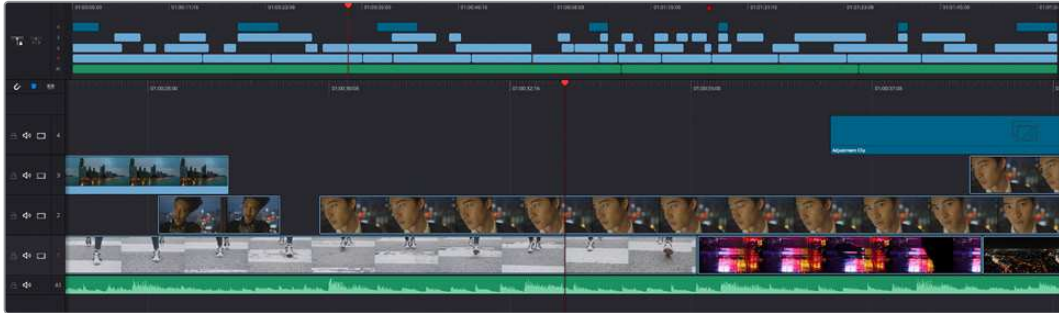
- 1 Import Media 혹은 Import Media Folder를 클릭하세요.
- 2 미디어 스토리지에서 가져오고자 하는 미디어를 찾으세요.
- 3 찾은 파일 혹은 폴더를 선택한 후 'Open'을 클릭합니다.

미디어를 프로젝트로 추가했다면 이제 편집을 시작하면 됩니다. DaVinci Resolve는 '라이브 저장'이라 불리는 빠른 자동저장 기능을 지원합니다. 프로젝트를 저장하고 나면, 이 '라이브 저장' 기능을 통해 추후에 발생하는 수정사항 등이 자동으로 저장되어 작업 손실을 예방할 수 있습니다.

'라이브 저장' 기능 및 다른 자동 저장 기능에 대한 자세한 정보는 DaVinci Resolve 설명서를 참고해 주시기 바랍니다.

타임라인에 클립 추가하기

이제 미디어 탭 및 뷰어 모드 버튼에 익숙해졌다면, 미디어 풀에서 클립을 타임라인으로 빠르게 추가할 수 있습니다.



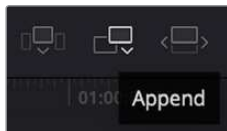
컷 페이지의 타임라인은 상부 타임라인 및 하단의 확대된 타임라인으로 구성됩니다.

편집을 위한 페이지인 타임라인은 여러 트랙으로 구성되어 여기에 클립을 붙이고, 옮기며 편집본을 다듬을 수 있습니다. 여러 개의 트랙을 사용하여 클립을 층층이 쌓아 다양한 편집본을 만들어 볼 수 있으며 트랜지션 및 효과도 트랙에 쌓을 수 있습니다. 예를 들어, 하나의 트랙 위에 있는 클립을 편집할 때, 그 외에 다른 트랙들의 클립에는 영향을 전혀 주지 않습니다.

클립을 타임라인에 추가하는 방법에는 스마트 삽입(Smart Insert), 합치기(Append), 최상위 트랙에 두기(Place on Top) 등의 다양한 방법이 있습니다.

클립 합치기

여러 테이크를 선택하고 한 곳에 모을 경우, 이 숏들을 타임라인에 하나씩 이어 붙이고 싶을 때가 있습니다. 클립 합치기는 이러한 때 완벽한 기능으로 편집 속도가 매우 빨라집니다.



‘클립 합치기’ 아이콘(Append)을 클릭하여 마지막 클립 뒤에 여러 클립을 빠르게 이어 붙일 수 있습니다.

클립 합치기

- 1 미디어 풀에 있는 클립을 더블 클릭하면 뷰어에 해당 클립이 나타납니다.
- 2 스크래치 트림 도구를 사용하여 인/아웃 포인트를 드래그하면 숏에서 원하는 길이를 정확하게 선택할 수 있습니다. 인/아웃 포인트는 키보드 단축기를 사용하여 설정할 수도 있습니다. 인 포인트는 ‘i’, 아웃 포인트는 ‘o’를 사용합니다.

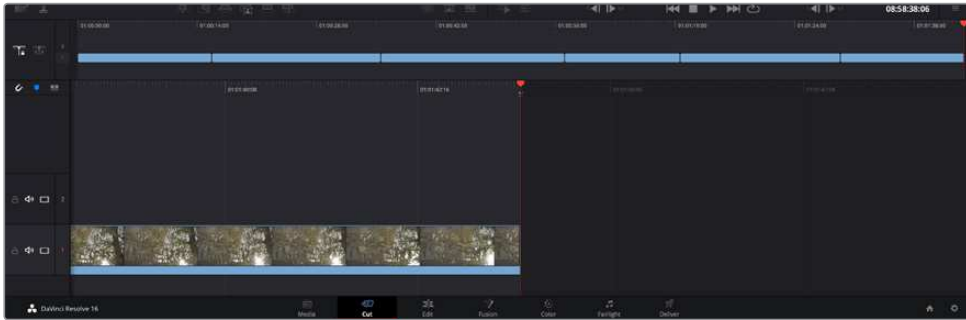


- 3 인/아웃 포인트 설정 후, 미디어 풀 아래에 있는 ‘클립 합치기’ 아이콘을 클릭합니다.



첫 번째 클립이 타임라인의 앞부분에 놓여지게 됩니다.

앞의 세 순서를 반복하면 여러 개의 클립이 자동으로 합쳐지며, 타임라인에서 이 클립들 사이의 빈 간격이 없이 합쳐지게 됩니다.



클립 합치기는 타임라인의 복수의 클립들 사이에 빈 간격을 만들지 않습니다.

정보 ‘클립 합치기’ 아이콘을 단축키로 설정하면 위의 과정을 보다 빠르게 진행할 수 있습니다. 예를 들어, 영문 P를 ‘클립 합치기’ 단축키로 지정해 놓으면, 단축키 ‘I’ 및 ‘O’를 사용해 인/아웃 포인트를 설정한 다음 P 단축키를 눌러 클립을 합칠 수 있습니다. 단축키 지정 방법에 관한 자세한 정보는 DaVinci Resolve 설명서를 참고하시기 바랍니다.

타임라인에서 클립 편집하기

타임라인에 클립이 추가됐다면, 이제 자유자재로 클립들을 옮기고 트리밍하여 편집할 수 있습니다.

트리밍을 실행하려면, 마우스를 하나의 클립의 처음 혹은 끝 부분에 올려 놓고 클릭한 후, 좌/우로 드래그합니다. 예를 들어, 클립의 끝 부분을 좌로 움직이면 클립 길이가 감소하며, 반대로 우로 움직이면 클립 길이가 늘어납니다. 이렇게 편집이 끝난 모든 클립은 타임라인에서 상부로 옮겨져 새로운 수정을 적용할 준비를 하게 됩니다. 이것이 바로 컷 페이지에서 작업 시간을 단축 시켜주는 요소 중 하나입니다.

넓은 타임라인 공간에서 클립을 들어올려 새로운 비디오 트랙에 내려놓을 수 있으며, 여기에 확대/축소 과정은 필요 없습니다. 이렇게 긴 타임라인을 훑어보는 시간을 최소화하여 편집 작업 속도가 빨라집니다.

컷 페이지에서 편집이 끝났다면 이제 타이틀을 적용할 순서입니다. 다음 단계에서 타이틀 추가 방법을 살펴보겠습니다.

타이틀 추가하기

타임라인에 타이틀을 추가하는 것은 매우 간단하며, 다양한 옵션을 사용할 수 있습니다.

사용할 수 있는 다양한 타이틀을 확인하기 위해, 사용자 인터페이스의 왼쪽 상단에 있는 ‘타이틀’(Titles) 미디어 탭을 클릭하세요. 선택 창에서 하단 3분의 1 그래픽 및, 스크롤, 일반 텍스트 타이틀 등 다양한 타이틀 생성기를 확인할 수 있습니다. 또한, 사용자가 직접 제작할 수 있는 애니메이션 타이틀인 Fusion 타이틀도 추가할 수 있습니다.

여기서는 일반 텍스트 타이틀을 추가하겠습니다.

일반 텍스트 추가하기

- 1 '텍스트'(Text) 타이틀을 클릭한 뒤, 이를 타임라인으로 드래그합니다. 어느 타임라인이든 상관없지만, 보다 높은 정확성을 위해 세부 타임라인을 사용할 것을 권장합니다. 타이틀을 만들기 위한 새로운 비디오 트랙이 자동으로 생성되며 플레이 헤드 부분으로 빠르게 이동합니다.
- 2 마우스에서 손가락을 떼면, 타이틀이 새로운 트랙에 나타납니다. 이제, 이 타이틀을 옮기거나 타이틀이 나타나는 시간을 조정할 수 있습니다.
- 3 타이틀을 편집하려면 새롭게 만들어진 타이틀 클립을 클릭하세요. '도구'(Tools) 아이콘이 클립 뷰어 밑에 나타납니다. 이 '도구' 아이콘을 클릭하세요.

그러면 타이틀 클립을 수정하는데 사용할 수 있는 도구들이 나타납니다. 대표적으로 변형(Transform), 자르기(Crop), 다이내믹 줌(Dynamic Zoom) 등의 기능을 사용할 수 있습니다. 연습을 위해 '타이틀'(Title) 도구를 클릭해 보세요.

- 4 다음, 'Open Inspector'를 클릭해 보세요.

인스펙터 창이 열리면 타이틀 문구를 입력하고 트래킹, 줄 간격, 폰트, 컬러 등의 텍스트 설정을 편집할 수 있습니다.

다양한 옵션을 사용하여 원하는 타이틀을 마음껏 만들어 보세요. 제공되는 다양한 옵션을 적용하여 타이틀이 어떻게 변경되는지 직접 확인해 보시기를 권장합니다.

Blackmagic RAW 파일로 작업하기

Blackmagic RAW 클립을 사용하면 후반 제작 과정에서 작업의 유연성을 극대화시킬 수 있습니다. 이를 통해 마치 원본 카메라 설정을 바꾸는 것처럼 화이트 밸런스나 ISO 설정 등의 클립 설정을 조정할 수 있습니다. Blackmagic RAW로 작업하면 새도우나 하이라이트의 색조 정보를 더욱 많이 담을 수 있어, 디테일이 사라진 하늘이나 영상 속 어두운 부분의 복구할 때 유용합니다.

최고의 화질을 원하거나 하이라이트와 새도우 간의 극심한 차이로 인해 해당 부분을 색보정 작업에서 최대한 조정해야 하는 경우에는 Blackmagic RAW로 촬영하는 것이 좋습니다.

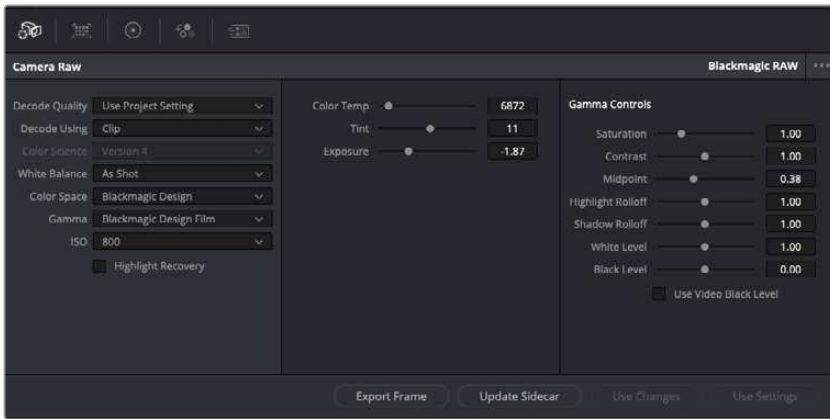
Blackmagic RAW는 빠른 속도와 작은 파일 크기를 제공하여 프록시 파일을 생성할 필요가 없으며 표준 비디오 클립과 같은 방식으로 재생됩니다. 이번 부분에서는 Blackmagic RAW의 기능과 DaVinci Resolve 워크플로에서의 Blackmagic RAW 파일 사용법에 대한 정보를 확인해 보세요.

정보 색보정을 시작하기 전에 클립의 Blackmagic RAW 설정을 컬러 페이지에서 조정하는 것이 좋습니다.

Blackmagic RAW를 위한 클립 설정

Blackmagic RAW 파일을 불러오면 DaVinci Resolve에서 촬영 당시 사용된 ISO와 화이트 밸런스, 색조 설정을 사용해 파일에 담긴 카메라 데이터를 디코딩합니다. 설정에 만족할 경우 곧바로 편집을 시작할 수 있습니다.

Blackmagic RAW 파일의 장점은 이러한 설정을 마음대로 바꿀 수 있다는 점입니다. Blackmagic RAW 파일로 작업하면 사용 가능한 후반 작업 옵션의 폭이 더욱 넓어져 시간이 갈수록 자기 자신만의 워크플로를 더욱 쉽게 개발할 수 있습니다. Camera RAW 탭에서 각 클립을 위한 Clip 설정을 보면 Blackmagic RAW 파일 작업이 얼마나 강력하고 유연한지 확인할 수 있습니다.



'Camera RAW' 탭에서 'Decoding Using'을 'Clip'으로 설정하면 사용하는 클립의 Blackmagic RAW 설정을 조절할 수 있습니다.

DaVinci Resolve에서 Blackmagic RAW를 위한 클립 설정 기능을 활성화시키면 클립 설정과 감마 컨트롤을 조절할 수 있습니다. 사용자의 클립을 최적화시키기 위한 이러한 설정을 통해 전체 프라임러리 색보정을 더욱 수월하게 할 수 있습니다. DaVinci Resolve의 스코프 기능은 영상록을 적용할 클립의 균형을 맞춰 주어, 스코프 기능과 함께 사용하면 더욱 효과적인 색보정을 진행할 수 있습니다.

아래는 클립 컨트롤과 감마 컨트롤에 관한 설명입니다.

ISO

이 값을 증가 또는 감소하여 ISO값을 변경할 수 있습니다. 클립의 최적화를 위해 클립을 밝게, 혹은 어둡게 설정하고 작업해야 할 경우에 효과적인 기능입니다.

하이라이트 복구

클리핑되지 않은 채널의 정보를 사용하여 클리핑된 채널의 하이라이트 정보를 복구하려면 박스를 체크하세요.

색온도

따뜻한 이미지 또는 차가운 이미지로 색온도를 조절합니다. 각 이미지의 색 균형을 중립으로 조절하고자 할 때 도움이 됩니다.

틴트

이미지에 초록색 또는 자홍색을 추가하여 색 균형을 맞춥니다.

노출

전체 이미지의 밝기를 조절합니다.

채도

채도 컨트롤의 기본값은 1로 맞춰져 있으며, 최소 -1부터 최대 +4까지 조절할 수 있습니다.

콘트라스트

기본값은 1.0으로 설정되어 있으며 왼쪽으로 슬라이드를 드래그하여 최소 콘트라스트 값 0까지 설정할 수 있고, 오른쪽으로 드래그하면 최대 2까지 설정 가능합니다.

미드포인트

Blackmagic Design Film에서 중간 회색의 기본값은 0.38% 또는 38.4%로 맞춰져 있습니다. 왼쪽으로 슬라이더를 드래그하여 미드포인트를 낮추거나 오른쪽으로 드래그하여 최대 100까지 증가시킬 수 있습니다. 콘트라스트를 기본값에서 하향 또는 상향 조절했을 경우, 하이라이트와 새도우 롤오프 설정을 변경할 수 있습니다.

하이라이트 롤오프

왼쪽으로 슬라이더를 드래그하여 하이라이트 값을 가장 낮은 0까지 낮추거나 오른쪽으로 드래그하여 최대 2까지 증가시킬 수 있습니다. 기본 설정값은 1입니다.

새도우 롤오프

왼쪽으로 슬라이더를 드래그하여 새도우를 0까지 낮추거나 오른쪽으로 드래그하여 최대 2까지 증가시킬 수 있습니다.

화이트 레벨

가장 높은 설정값인 2와 가장 낮은 값인 0 사이를 슬라이더로 드래그하여 감마 커브의 화이트 포인트를 조절합니다. 기본 설정값은 1입니다.

블랙 레벨

최소 설정값인 -1과 최대 설정값인 1 사이를 슬라이더로 드래그하여 커스텀 감마 커브의 블랙 포인트를 증가시킵니다. 기본 설정값은 0입니다.

비디오 블랙 레벨 사용하기

비디오 블랙 레벨을 설정하려면 박스를 체크하십시오.

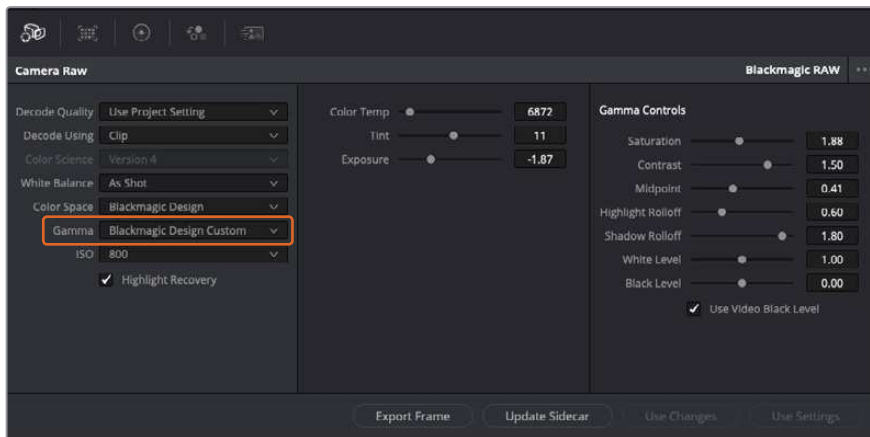
프레임 내보내기

‘Export Frame’ 버튼을 클릭하면 Blackmagic RAW 클립에서 한 개의 프레임을 내보낼 수 있습니다.

사이드카 파일 업데이트

‘Update Sidecar’ 버튼을 클릭하면 현재 클립을 위한 Blackmagic RAW 사이드카 파일이 업데이트됩니다.

Blackmagic RAW 클립에 적용한 모든 변경 사항은 감마 설정에서 식별 단계를 거쳐 Blackmagic Design Custom에 업데이트됩니다.



클립을 기본 감마 옵션 중 하나로 변경하려면 감마 드롭다운 메뉴에서 원하는 설정을 선택하세요.

정보 Video 다이내믹 레인지를 사용하여 촬영한 영상에서는 감마 설정을 제어할 수 없지만 RAW 데이터는 손실되지 않습니다. 드롭다운 감마 메뉴에서 ‘Blackmagic Design Film’ 또는 ‘Blackmagic Design Extended Video’를 선택하여 설정을 변경할 수 있습니다.

Blackmagic RAW 변경 사항 저장하기

- 1 Blackmagic RAW 클립의 감마 컨트롤을 조정하세요.
- 2 'Update Sidecar' 버튼을 클릭하세요.

이제 .braw 파일이 있는 동일한 폴더 안에 사이드카 파일이 생성되었습니다. 다른 사용자가 Blackmagic RAW 파일을 불러올 경우, DaVinci Resolve에서 해당 사이드카 파일을 자동으로 읽기 시작합니다. 추가 변경 사항을 적용하려면 'Update Sidecar' 버튼을 한 번 더 눌러주세요.

정보 사이드카 파일을 제거하려면 미디어 드라이브에 저장된 폴더에서 해당 파일을 삭제해주기만 하면 됩니다.

Blackmagic RAW를 위한 프로젝트 설정

화이트 밸런스 및 ISO 설정의 전역 변경같이 모든 클립에 설정 변경을 적용하려면 클립이 프로젝트 Camera Raw 설정을 사용하도록 설정하고, 원하는 설정을 변경하면 됩니다.

Blackmagic RAW 프로젝트 설정하기

- 1 'File'을 클릭한 뒤 'Project Settings'를 클릭해 프로젝트 설정 메뉴로 이동합니다.
- 2 Camera RAW 탭을 클릭하면 'RAW Profile' 옆에 드롭다운 메뉴가 있는 것을 확인할 수 있습니다. 아래 방향 화살표를 클릭하여 목록에서 'Blackmagic RAW'를 선택하세요.
- 3 'Decode Using' 드롭다운 메뉴에서 'Project'를 선택하세요.
- 4 'White Balance'를 'Custom'으로 설정하세요.
- 5 'Gamma' 메뉴의 드롭다운 메뉴에서 'Blackmagic Design Custom'을 선택하세요. 'Color Space'를 'Blackmagic Design'으로 설정하세요. 이렇게 하면 감마 설정까지 'Blackmagic Design Film'으로 설정됩니다.
- 6 'Decode Quality' 메뉴에서 해상도를 선택하세요. 제한된 시스템에서는 낮은 해상도를 선택하는 것이 영상 재생에 도움이 됩니다. 딜리버리 단계 바로 전에 영상을 풀 해상도로 변경하여 최상의 화질로 출력하는 것도 가능합니다.

여기까지 채도와 콘트라스트, 미드포인트 등 클립을 위한 카메라 설정을 변경하는 방법에 대해 알아보았습니다. 이는 Decod Using에서 'Project' 설정으로 디코딩하도록 설정된 프로젝트 내 모든 클립에 영향을 끼칩니다.

컬러 페이지에서 클립 색보정 하기

여기까지 타임라인에 클립을 추가하고 타이틀도 추가했으니, 이제 컬러 페이지에서 색보정을 적용할 순서입니다. 컬러 페이지는 매우 강력한 기능으로 전체적인 영상룩을 정의합니다. 하지만 이를 위해, 우선 모든 클립의 균형을 맞추어 클립의 일관성이 유지되도록 설정하는 것을 권장합니다. 편집 영상을 다시 손보고 싶을 때는 언제든지 컷 페이지나 편집 페이지로 돌아갈 수 있습니다.

컬러 페이지에서는 영상의 룩을 조정할 수 있습니다. 색보정은 여러 측면에서 보았을 때, 하나의 예술의 형태로 색보정 작업을 통해 감성을 영상에 담을 수 있습니다. 이는 매우 창의적인 워크플로이기 때문에, 사용자가 색보정과 관련한 다양한 기술을 배우고 적용하여 생동감 넘치는 영상을 본다면 매우 큰 만족감을 느낄 수 있습니다. 본 페이지에서의 색보정 작업이 일반적인 첫 단계로써, 프라이머리 색보정, 혹은 프라이머리 수정이라 부릅니다. 프라이머리 색보정이 완료되면, 세컨더리 색보정 작업을 진행하며 주로 특정 피사체의 아주 세밀한 색보정을 적용합니다. 세밀한 색보정은 매우 즐거운 작업이지만, 주로 프라이머리 색보정이 완료된 후에 진행하게 되는데, 이는 좀 더 효율적인 과정 및 보다 완성된 결과물을 만들기 위해서입니다.

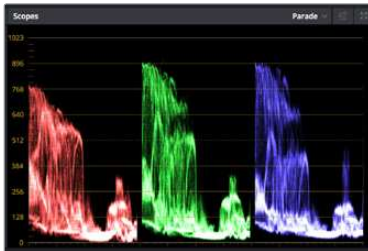
먼저, 'color' 탭을 클릭하여 컬러 페이지를 엽니다.

카메라 RAW 설정 및 컬러 휠, 커브 팔레트, 일반 색보정 도구, 미리보기 창, 노드 창이 나타납니다. 눈 앞에 펼쳐진 방대한 컨트롤 기능들을 보고 당황할 필요가 없습니다. 이 기능들은 단지 멋진 영상을 만들기 위한 도구일 뿐입니다. 본 페이지에는 기초적인 내용이 담겨 있으며, 더욱 자세한 정보는 DaVinci Resolve 설명서의 관련 부분을 참고하시기 바랍니다. DaVinci Resolve 설명서에는 모든 도구의 용도와 사용 방법이 단계별로 이해하기 쉽게 소개되어 있습니다. 설명서를 통해 첨단 색보정 작업실에서 전문가들이 사용하는 기술을 배울 수 있습니다.

일반적으로 프라이머리 색보정의 첫단계는 클립의 새도우 및, 미드톤, 하이라이트의 레벨을 최적화하는 것입니다. 다른 말로는 리프트, 감마, 게인 설정을 조절한다고 하기도 합니다. 이는 원하는 영상룩을 완성하기 위한 색보정의 시작 단계로, 매끄럽고 균형 잡힌 상태에서 최적의 밝기를 유지한 최고의 영상을 만들어 낼 수 있습니다. 레벨을 최적화하기 위해서 스코프를 사용해보도록 하겠습니다.

스코프 사용하기

컬러리스트는 대부분 그들이 프로그램에 표현하고자 하는 감정과 영상룩에 초점을 맞춰 컬러를 창의적으로 선택한 뒤, 모니터를 통해 이를 연출합니다. 일상생활의 물건이 얼마나 다양한 종류의 빛에 반응하는지를 보고 아이디어를 얻어 본인의 영상에 이를 적용할 수 있습니다.



퍼레이드 스코프는 하이라이트, 미드톤, 새도우를 최적화할 수 있도록 도와줍니다

색보정을 할 수 있는 또 다른 방법은 내장 스코프를 사용하여 샷의 균형을 맞추는 것입니다. 팔레트 툴바 오른쪽 두 번째에 있는 'Scope' 버튼을 클릭하면 단일 비디오 스코프를 볼 수 있습니다. 파형, 퍼레이드, 벡터스코프, 히스토그램에서 화면에 표시할 스코프를 선택할 수 있습니다. 이 스코프를 통해 영상의 톤 균형을 모니터링하고, 블랙 레벨 크러싱과 하이라이트 클리핑 현상을 방지하기 위해 각 레벨을 확인하며, 클립에 특정 컬러 발현 현상이 나타나는지를 모니터링 할 수 있습니다.

컬러휠 팔레트에 포함된 리프트, 감마, 게인 제어 장치는 일반적으로 색보정 첫 단계에서 사용합니다. 이 제어 장치는 다른 소프트웨어의 컬러 및 콘트라스트 조절 기능과 비슷하기 때문에 색보정 작업을 해 본 경험이 있는 사용자라면 익숙할 수도 있습니다.



리프트, 감마, 게인, 오프셋 컬러휠을 사용하여 클립의 전체 색상 및 색상 균형을 제어할 수 있습니다. 각각의 컬러휠에서 색상을 균일하게 조절하려면 컬러휠 아래에 있는 다이얼을 앞/뒤로 움직여 정확히 조절합니다.

마우스를 사용해 각 컬러를 좀 더 정확하게 제어하려면 컬러휠을 'Primaries Bars'로 변경해 리프트, 감마, 게인의 컬러 및 휘도 채널을 개별적으로 조절하세요. Primaries Bars는 컬러휠 우측 상단의 드롭 다운 메뉴에서 간단히 선택할 수 있습니다.

- 리프트 조정하기:** 컬러 타임라인의 클립을 선택한 상태에서 첫 번째 'Lift' 컬러휠 아래쪽에 있는 다이얼을 클릭하세요. 이 다이얼을 앞/뒤로 움직이면서 이미지가 어떻게 변하는지 확인하세요. 영상 속 어두운 부분의 밝기가 증가 또는 감소하는 것을 볼 수 있습니다.

어두운 영역을 원하는 최적의 상태로 설정하세요. 리프트를 과도하게 낮추면 블랙의 디테일이 사라지므로, 퍼레이드 스코프를 확인해가며 이러한 현상이 일어나지 않도록 주의하세요. 파형에서 블랙을 위한 최적의 위치는 퍼레이드 스코프 맨 아래 라인의 바로 윗부분입니다.
- 게인 조절하기:** 'Gain' 다이얼을 클릭하고 앞/뒤로 움직여 조절합니다. 게인은 클립에서 밝은 영역의 하이라이트를 조절합니다. 퍼레이드 스코프의 파형에서 맨 윗부분이 하이라이트가 나타나는 부분입니다. 밝은 샷의 경우, 파형 스코프 맨 윗선 바로 아래가 최적의 위치입니다. 하이라이트가 파형 스코프의 맨 윗 선을 넘어서면 하이라이트가 클리핑되어 이미지 속 밝은 부분의 디테일을 잃게 됩니다.
- 감마 조절하기:** 'Gamma' 컬러휠 밑의 다이얼을 클릭하고 앞/뒤로 움직여 조절합니다. 감마를 높이면 이미지의 밝기가 높아지는 것을 확인할 수 있습니다. 감마를 조절하면 파형 그래프의 중간 부분이 같이 움직이는 것을 볼 수 있습니다. 이 부분은 클립의 미드톤 부분을 나타냅니다. 일반적으로 미드톤을 위한 최적의 파형 스코프 위치는 스코프 중앙 자리인 50%에서 70% 사이입니다. 하지만 최적의 스코프 위치는 연출하고자 하는 영상룩과 클립 속 조명 조건에 따라 달라집니다.

커브 팔레트를 사용하여 프라이머리 색보정을 진행할 수도 있습니다. 커브 그래프 안에 그려진 대각선을 클릭하면 컨트롤 포인트가 생깁니다. 이 포인트를 위/아래로 드래그하여 이미지 속 각 부분의 마스터 RGB 콘트라스트를 조절합니다. 커브 라인을 3분의 1로 나눴을 때, 맨 아래와 중간, 맨 윗부분이 각각 새도우, 미드톤, 하이라이트를 조절하기에 가장 좋은 지점입니다.

DaVinci Resolve에서 사용할 수 있는 프라이머리 색보정 방법에는 여러 가지가 있습니다.



커브 팔레트는 프라이머리 색보정에 쓰이는 색보정 도구로, 파워 윈도우를 사용할 때 클립에서 특정 영역의 색상을 향상시키는데 사용합니다.

세컨더리 색보정

이미지의 특정 부분만을 조절하려면 세컨더리 색보정을 사용해야 합니다. 지금까지는 리프트, 감마, 게인을 조절하여 전체 영상을 동시에 조절하는 프라이머리 색보정을 진행했습니다.

그러나, 영상 속 수풀의 색상을 살리거나 하늘의 푸른 색을 더욱 짙게 만드는 것과 같이 이미지의 특정 부분만 조절하는 작업은 세컨더리 색보정 단계에서만 가능합니다. 세컨더리 색보정에서는 이미지 속 특정 부분만을 선택하여 해당 부분만 조절할 수 있습니다. 노드를 사용하면 여러 부분에 세컨더리 색보정을 적용할 수 있어 만족스러울 때까지 영상 속 특정 부분을 작업할 수 있습니다. 파워 윈도우와 트래킹 기능을

사용하면 선택한 부분의 영상이 움직여도 보정이 그대로 유지됩니다.

특정 색상 조정하기

도로변에 있는 잔디, 하늘의 푸른색, 관객의 주의를 끌기 위한 특정 물체 등의 색상을 조절하는 것처럼 클립 속 특정 색상을 두드러지게 해야 할 때가 종종 있습니다. 이 작업은 HSL 켈리파이어 도구를 사용해 손쉽게 진행할 수 있습니다.



이미지의 특정 영역을 두드러지게 하거나, 콘트라스트를 추가할 경우 또는 관객의 주의를 특정 영역에 집중시키고 싶을 때는 HSL 켈리파이어를 사용하여 이미지 속 색상을 효과적으로 선택할 수 있습니다.

다음과 같은 방식으로 색상을 조정하세요.

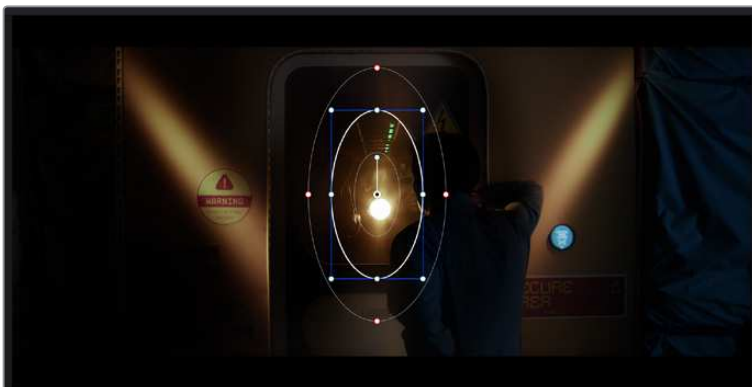
- 1 새로운 시리얼 노드를 추가하세요.
- 2 'Qualifier' 팔레트를 연 다음 'Selection Range'의 'picker' 도구가 선택되어 있는지 하세요. 클립에서 보정하려는 특정 색상을 클릭하세요.
- 3 클립에서 보정하려는 특정 색상을 클릭하세요.
- 4 대부분의 경우 선택 영역의 테두리를 부드럽게 조절하고 선택 영역의 색상만 보정해야 합니다. 뷰어 상단의 'Highlight' 버튼을 선택하면 선택 영역을 볼 수 있습니다.
- 5 'Hue' 창에서 'Width' 컨트롤을 조절하면 선택 영역을 늘리거나 줄일 수 있습니다.

High, Low, Soft 컨트롤을 조절하면서 선택 영역이 어떻게 개선되는지 시험해보세요. 이제 컬러힐 또는 커스텀 커브를 사용하여 선택한 색상을 보정할 수 있습니다.

간혹 원하지 않는 부분까지도 보정 효과가 번지는 경우가 있습니다. 파워 윈도우를 사용하면 원치 않는 부분을 손쉽게 숨길 수 있습니다. 새로운 윈도우를 생성하고 원하는 색상 부분에 맞게 도형의 형태를 조정합니다. 선택한 색상이 솟안에서 움직이는 경우, 트래킹 기능을 사용하면 파워 윈도우가 같이 따라 움직입니다.

파워 윈도우 추가하기

파워 윈도우는 매우 효과적인 세컨더리 색보정 도구로 클립에서 특정 영역만 분리시키기 위해 사용합니다. 반드시 고정된 부분이 아닌 패닝, 틸팅, 회전 기법을 사용한 장면에서도 선택 영역을 따라 윈도우가 움직이며 선택 영역 자체만 움직여도 추적이 가능합니다.

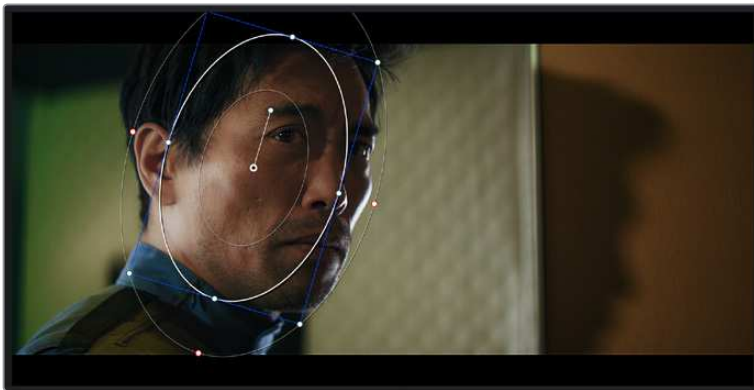


파워 윈도우를 사용하여 HSL 켈리파이어 세컨더리 조절 기능을 사용하고 싶지 않은 영역을 숨길 수 있습니다.

예를 들어, 인물의 주변을 제외한 채 인물에만 색상 및 콘트라스트 수정 사항이 적용되도록 할 경우, 인물 위에 윈도우를 적용하여 지속적으로 추적하도록 설정할 수 있습니다. 이러한 방식의 색보정 효과를 사용하면 원하는 특정 부분에 관객의 시선을 집중시킬 수가 있습니다.

다음과 같이 클립에 파워 윈도우를 추가하세요.

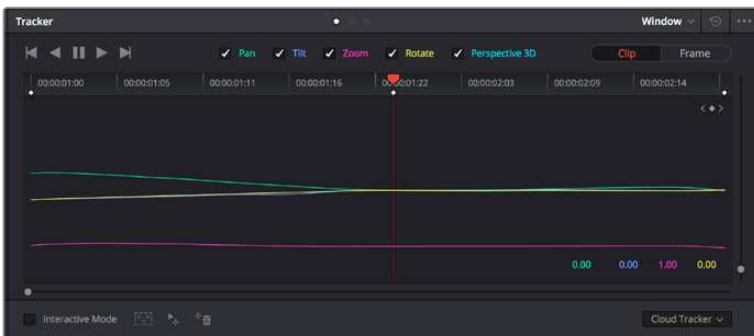
- 1 새로운 시리얼 노드를 추가하세요.
- 2 'Window' 팔레트를 열고 원하는 모양의 윈도우 아이콘을 클릭하세요. 선택한 윈도우 도형이 노드에 나타납니다.
- 3 도형 주위에 있는 파란색 포인트를 드래그하여 크기를 조절합니다. 빨간색 포인트는 테두리의 소프트니스를 조절합니다. 중앙에 있는 포인트를 드래그하여 색보정을 적용하려는 부분에 도형을 올려놓으세요. 중앙 포인트에 연결된 포인트를 사용하면 윈도우를 회전시킬 수 있습니다. 이제 이미지의 선택된 부분에만 색보정을 실행할 수 있습니다.



세컨더리 색보정 단계에서 사용하는 파워 윈도우는 이미지의 특정 부분에만 효과를 적용합니다

윈도우 트래킹

카메라 또는 샷의 피사체 및 특정 부분이 움직일 수 있으므로 DaVinci Resolve의 강력한 트래킹 기능을 사용하여 항상 윈도우가 선택한 피사체 및 영역에 적용되도록 설정할 수 있습니다. 트래킹 기능은 카메라의 패닝, 틸팅, 줌, 회전 및, 클립의 물체를 자동으로 분석하여 화면 속 움직임에 따라 윈도우를 움직입니다. 트래킹 기능을 사용하지 않을 시에는 색보정이 적용하고자 하는 부분을 벗어나 다른 곳의 주의를 환기시키므로 의도하지 않은 결과를 초래할 수도 있습니다.



클립의 피사체 또는 특정 영역에 트래킹 기능을 사용하면 파워 윈도우가 움직임을 따라 움직입니다.

움직이는 피사체에 윈도우 트래킹 사용하기

- 1 새로운 시리얼 노드를 생성하고 파인 윈도우를 추가합니다.
- 2 클립의 시작 부분에서 윈도우의 크기와 위치를 조절하여 원하는 영역 또는 피사체를 강조합니다.
- 3 'Tracker' 팔레트를 엽니다. 'Pan', 'Tilt', 'Zoom', 'Rotate', 'Perspective 3D' 설정 중에서 클립 속 움직임 분석에 필요한 체크 박스를 선택 혹은 선택 해제하세요.
- 4 체크박스 왼쪽의 앞으로 가기 화살표를 클릭하세요. DaVinci Resolve는 이제 수많은 트래킹 포인트를 클립에 적용시킨 다음, 프레임 전반에 걸쳐 움직임을 분석합니다. 트래킹이 완료되면 클립 속 움직임 경로를 따라 파워 윈도우가 움직입니다.

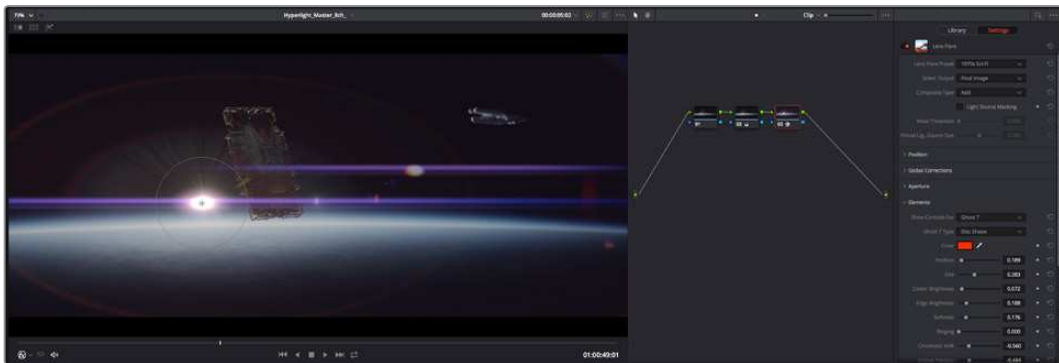
자동 트래킹 기능은 대부분의 상황에서 성공적으로 사용할 수 있지만, 복잡한 장면이나 선택 영역 앞으로 물체가 지나가는 장면에서는 트래킹 기능이 방해받을 수도 있습니다. 이러한 문제는 키프레임 편집 기능을 수동으로 사용하여 해결할 수 있습니다. 더 자세한 정보는 DaVinci Resolve 설명서를 참고하세요.

플러그인 사용하기

세컨더리 색보정 과정에서 ResolveFX 또는 OpenFX 플러그인을 추가하여 컬러 페이지에서 영상에 빠르고 흥미로운 모습 및 효과를 생성할 수 있으며, 편집 페이지에서 창의적인 트랜지션 및 효과를 클립에 추가할 수도 있습니다. ResolveFX는 DaVinci Resolve와 함께 설치되며 OFX 플러그인은 서드파티 공급 업체에서 구입해 다운로드할 수 있습니다.

여러 개의 OFX 플러그인을 설치한 후, 'Node' 탭 우측의 'OpenFX' 인스펙터를 열면 컬러 페이지에서 OFX 플러그인이나 ResolveFX 플러그인을 사용할 수 있습니다. 새로운 시리얼 노드를 생성하고 나면 'OpenFX' 버튼을 클릭하여 FX 라이브러리를 열고 플러그인을 새로운 노드로 드래그해 옮길 수 있습니다. 플러그인 설정을 편집할 수 있는 경우, 'Settings' 창에서 이를 조정할 수 있습니다.

편집 페이지에서 이펙트 라이브러리에 있는 OpenFX 창을 열고 선택한 플러그인을 플러그인 요구 사항에 맞추어 타임라인에 있는 클립의 비디오나 트랙으로 드래그하여 옮기면 클립에 플러그인 필터 및 생성기, 트랜지션을 추가할 수 있습니다.



OFX 플러그인을 사용해 창의적이고 흥미로운 영상을 쉽고 빠르게 만들어낼 수 있습니다.

오디오 믹싱하기

편집 페이지에서 오디오 믹싱하기

프로젝트의 편집과 색보정 작업을 완료하면 오디오 편집을 시작할 수 있습니다. DaVinci Resolve는 편집 페이지에서 바로 오디오 편집과 믹싱, 마스터링할 수 있는 유용한 기능들을 제공합니다. 첨단 오디오 작업 도구가 필요한 프로젝트에 적합한 Fairlight 페이지는 종합적인 오디오 후반 제작 환경을 제공합니다. 이미 편집 페이지에 익숙하여 Fairlight로 바로 넘어가고자 하는 경우에는 본 설명을 건너뛰고 다음 설명으로 이동하세요.

오디오 트랙 추가하기

편집 페이지에서 작업 시, 다양한 음향 효과 및 음악을 사용하여 기본적인 믹싱 작업을 하려면 필요에 따라 오디오 트랙을 추가할 수 있습니다. 이 기능은 음향을 제작하거나 대사 및 음향 효과, 음악 같은 오디오 요소를 여러 트랙으로 따로 분리할 때 사용합니다.

오디오 트랙을 편집 페이지에 추가하기

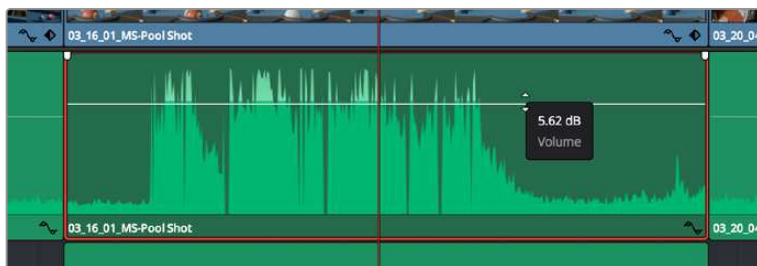
타임라인의 오디오 트랙 중 하나를 선택하여 이름을 우클릭하세요. 그 다음 Add Track에서 Mono, Stereo 그리고 5:1 등의 옵션 중에서 원하는 기능을 선택합니다. 트랙 목록 아래에 오디오 트랙이 추가됩니다. 아니면 'Add Track'을 선택하고 새로운 단일, 혹은 여러 트랙을 놓고자 하는 위치를 선택합니다.

타임라인에 새로운 오디오 트랙이 나타납니다.

정보 트랙을 생성한 후에 트랙 종류를 변경하려면 트랙명 옆을 우클릭한 다음 'Change Track Type To'를 선택하세요. 그다음, 'Stereo', 'Mono', '5.1' 등, 오디오 트랙에서 원하는 종류를 선택하세요.

타임라인에서 오디오 레벨 조절하기

타임라인에 있는 각각의 오디오 클립에는 볼륨 조절을 위한 오버레이가 있어 마우스 포인터로 상/하 드래그하여 간단히 클립의 오디오 볼륨을 설정할 수 있습니다. 이 오버레이는 인스펙터에 있는 볼륨 파라미터와 연동됩니다.

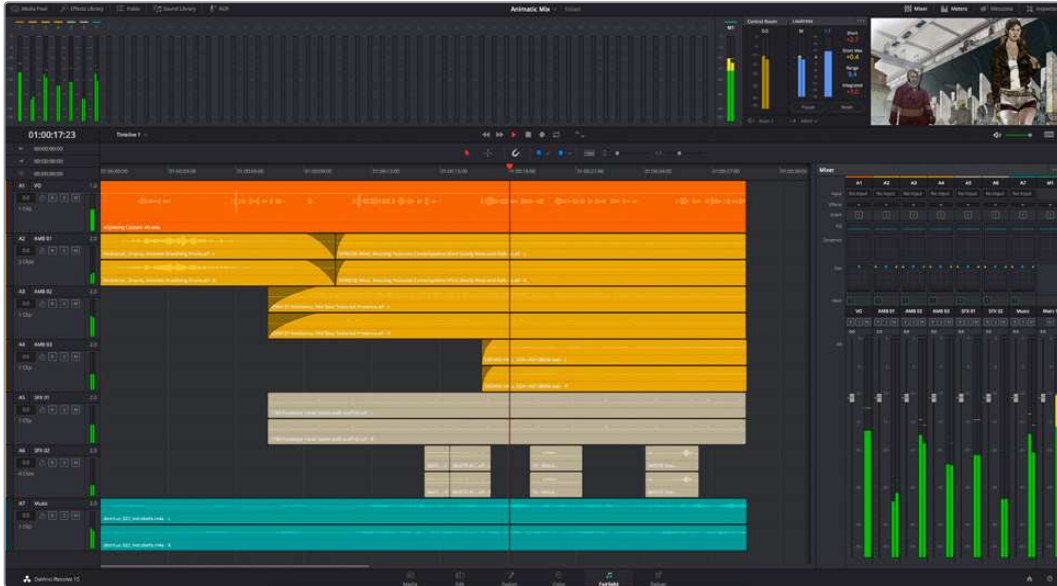


볼륨 오버레이를 드래그하여 클립의 오디오 볼륨을 조절합니다.

첨단 오디오 작업 도구가 필요한 프로젝트에 적합한 Fairlight 페이지는 종합적인 오디오 후반 제작 환경을 제공합니다.

Fairlight 페이지

DaVinci Resolve의 Fairlight 페이지에서는 프로젝트의 오디오를 제어할 수 있습니다. 단일 모니터를 사용하여 작업하는 환경에 최적화된 모니터링을 통해 프로젝트의 오디오 트랙을 확인하고, 확장된 오디오 믹서 및 커스텀 모니터링 컨트롤을 사용하여 각 레벨을 쉽게 조절함으로써, 보다 부드럽고 조화로운 사운드를 만들 수 있습니다. 화면에 보이는 복잡한 기능을 보고 겁먹을 필요 없습니다. 모든 기능은 여러분의 프로젝트를 최고의 품질로 제작할 수 있도록 완벽히 준비되어 있습니다.



본 설명서에는 Fairlight 페이지 기능이 간략하게 설명되어 있지만, 각 기능에 관한 더욱 자세한 설명은 DaVinci Resolve 설명서에서 확인하실 수 있습니다. DaVinci Resolve 설명서에는 각 도구의 용도와 사용 방법이 단계별로 자세히 설명되어 있습니다.

오디오 타임라인

- 트랙 헤더:** 모든 트랙 좌측에 있는 헤더 부분에는 트랙 번호와 이름, 색상, 오디오 채널, 페이더 값, 오디오 미터가 나타납니다. 트랙 헤더에서는 트랙에 잠금 기능을 설정 및 해제할 수 있을 뿐만 아니라 솔로 컨트롤과 음소거 컨트롤을 사용할 수도 있습니다. 이러한 컨트롤을 사용하여 오디오 트랙을 정리하고 개별 트랙을 하나씩 미리보기할 수 있습니다.
- 트랙:** Fairlight 페이지에 있는 모든 오디오 트랙은 레인별로 구분되어 있으며, 이 레인은 오디오 편집과 믹싱을 위한 클립 오디오의 채널을 개별적으로 나타냅니다. 편집 페이지에는 이러한 개별 오디오 채널은 나타나지 않고 타임라인에 오직 클립 하나만 나타나므로 많은 수의 오디오 트랙을 관리할 필요 없이 여러 채널 소스의 편집을 더욱 간단하게 수행할 수 있습니다.



트랙 A1의 트랙 헤더에는 모노 오디오를 위한 단일 레인으로 구성된 모노 트랙이 나타나는 반면, 트랙 A2 트랙 헤더에는 스테레오 오디오를 위한 두 개 레인으로 구성된 스테레오 트랙이 나타납니다.

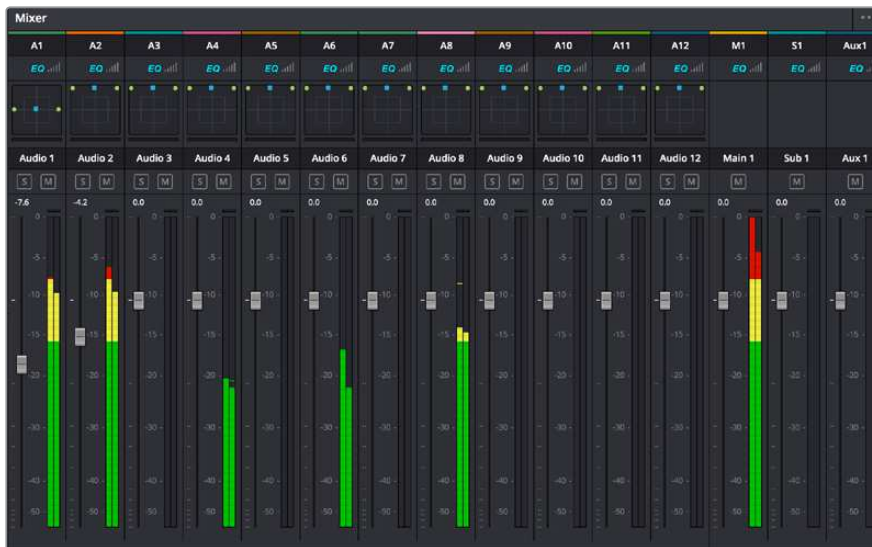
버스란?

버스란 기본적으로 타임라인에서 여러 개의 오디오 트랙이 전송되어 도착하는 도착 채널을 말하며, 여러 개의 오디오 트랙이 믹싱되어 하나의 채널 스트립으로 제어할 수 있는 단일 신호로 변경됩니다.

- **메인 버스:** 메인 버스는 일반적으로 프로그램의 주요 출력을 말하며, 새로운 프로젝트를 생성 시, 모든 트랙이 묶여 있는 하나의 메인 버스가 같이 나타나도록 기본 설정되어 있습니다. 메인 버스는 타임라인에 있는 모든 트랙을 하나의 신호로 합치므로 개별 트랙 조절을 완료하면 오디오 믹싱 레벨을 전체적으로 조절할 수 있습니다.
- **서브 버스:** 서브 버스는 동일한 카테고리 내의 여러 오디오 트랙을 하나로 합칠 수 있습니다. 예를 들어, 대화 및 뮤직, 효과 같은 카테고리 별로 해당 카테고리 내에서 하나로 믹싱하여 단일 오디오 신호로 출력합니다. 예를 들어, 다섯 개의 대화 트랙이 있는 경우에는 다섯 개를 전부 Submix 버스에 출력하면, 모든 대화가 하나의 컨트롤 모음을 사용하여 믹싱됩니다. 이 서브믹스 버스는 개별적으로 렌더링하거나 메인 버스에 전송하여 렌더링할 수 있습니다.

믹서

타임라인에 있는 각각의 오디오 트랙은 믹서의 해당 채널 스트립과 연동되며, 우측에는 메인 버스를 의미하는 M1이 적힌 하나의 채널 스트립이 기본 설정으로 나타납니다. 메인 버스 및 서브믹스 버스를 추가로 생성할 때마다 컨트롤 모음을 가진 추가 채널 스트립이 우측에 나타납니다. 그래픽 컨트롤 모음을 사용하여 출력 채널에 트랙 채널을 설정하고, 이퀄라이저와 다이내믹스를 조절하고, 오디오 레벨과 자동 녹음 설정, 스테레오 오디오와 서라운드 오디오 패닝, 음소거, 솔로 트랙 수행이 가능합니다.



타임라인의 오디오 트랙과 연동되는 오디오 믹서의 채널 스트립

이퀄라이저를 사용해 오디오 높이기

프로젝트의 오디오 클립 레벨을 조절하고 나서도 추가 조절이 필요할 때가 있습니다. 경우에 따라서는 다이얼로그 및 음악, 음향 효과가 오디오 스펙트럼에서 동일한 주파수를 두고 충돌하여 복잡해진 신호 때문에 깨끗한 음질을 만들어내지 못합니다. 이퀄라이저는 이러한 경우에 유용한 기능으로 오디오 스펙트럼에서 원하는 부분을 지정할 수 있습니다. 또한 이퀄라이저를 사용하여 특정 주파수의 레벨을 줄이거나 분리시키는 방식으로, 우르릉 거리는 소리 및, 웅웅거리는 소리, 바람 소리, 쇠걱거리는 소리 등, 오디오에서 원치 않는 현상을 제거할 수 있으며, 전체적인 음질을 향상시킬 수 있어 더욱 듣기 좋은 음향을 만들어낼 수 있습니다.

DaVinci Resolve는 개별 클립의 오디오 클립 수준 또는, 전체 오디오 트랙을 위한 오디오 트랙 수준에 적용할 수 있는 EQ 필터를 제공합니다. 타임라인의 각 오디오 클립은 인스펙터의 4밴드 이퀄라이저를 사용할 수 있으며, 각 트랙은 믹서 패널의 6밴드 파라메트릭 이퀄라이저를 사용할 수 있습니다. 그래픽 컨트롤과 숫자 컨트롤을 사용하여 다양한 음역대의 주파수를 강화하거나 약화시킬 수 있으며, 다양한 종류의 필터를 사용해 EQ 커브의 모양을 결정할 수 있습니다.



4밴드 이퀄라이저는 타임라인에 있는 모든 클립에 적용할 수 있습니다

바깥쪽의 밴드는 하이셸프, 로우셸프, 하이패스, 로우패스 필터를 사용하여 밴드 필터를 조절할 수 있습니다. 패스 필터는 특정 주파수를 기준으로 상위, 혹은 하위의 모든 주파수에 적용되며 신호에서 주파수를 완전히 제거하는 역할을 합니다. 예를 들어 하이패스 필터는, 특정 주파수 보다 낮은 주파수를 모두 제거하는 동시에 높은 주파수는 필터를 그대로 통과시킵니다. 제외하고자 하는 주파수는 하강 곡선을 따라 점차 사라지게 됩니다.

셸프 필터는 하이패스 필터보다 강도가 조금 약한 필터로, 특정 부분을 완전히 제거하는 것이 아니라 신호의 가장 높은 부분과 낮은 부분을 변경하고자 할 때 사용합니다. 셸프 필터는 타깃 주파수를 강화하거나 잘라내며, 하이/로우 셸프 사용에 따라, 타깃 주파수 위/아래를 편평하게 만듭니다.

가운데 줄의 밴드 컨트롤 모음을 사용해 매우 다양한 이퀄라이제이션을 조절할 수 있고, 로우셸프와 벨, 노치, 하이셸프 필터링 옵션으로 전환할 수 있습니다.

- **벨:** 벨 필터는 벨 커브에 주어진 중심점 주변의 주파수를 증가 또는 제거하며 이름에서 알 수 있듯이 벨 모양의 커브가 나타납니다.
- **노치:** 노치 필터는 특히 아주 낮은 음역대를 조절하기 위한 필터입니다. 예를 들어 50 또는 60Hz에서 발생하는 험 노이즈를 제거합니다.
- **로우 셸프:** 로우 셸프 필터는 대상 주파수의 가장 낮은 지점과 그 밑에 해당하는 모든 주파수를 증가 또는 제거합니다.
- **하이 셸프:** 하이 셸프 필터는 대상 주파수의 가장 높은 지점과 그 위에 해당하는 모든 주파수를 증가 또는 제거합니다.

개별 클립에 EQ 추가하기

- 1 타임라인에서 EQ 필터를 추가하려는 클립을 선택하세요.
- 2 'Inspector'를 클릭한 다음, 'Clip Equalizer' 활성화 버튼을 클릭합니다.

오디오 트랙에 EQ 추가하기

- 1 믹서에서 EQ를 추가하고자 하는 트랙의 EQ 부분을 더블클릭하여 EQ를 엽니다.
- 2 드롭다운 메뉴에서 조절하려는 밴드 필터 유형을 선택하세요.



믹서 창의 EQ 섹션에는 트랙 1에 적용된 EQ 커브가 나타납니다.



모든 오디오 트랙에 적용 가능한 6밴드 파라메트릭 이퀄라이저

오디오 클립 또는 트랙에 EQ를 추가하면 각 밴드를 위한 EQ를 조절할 수 있습니다. 선택하는 밴드 필터 유형에 따라 컨트롤이 달라질 수 있습니다.

밴드 필터를 위한 EQ 조절하기

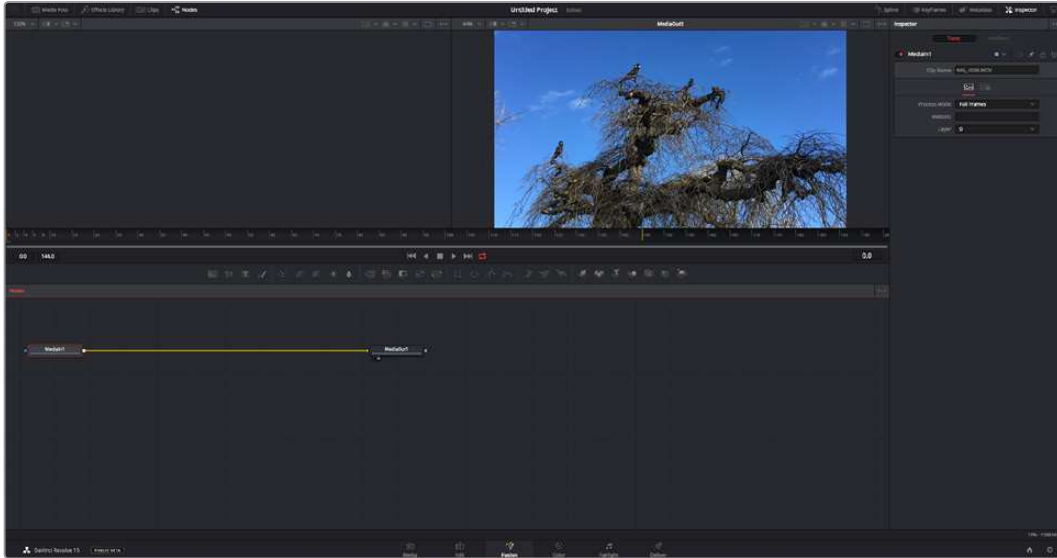
- 1 드롭다운 메뉴에서 조절하려는 밴드 필터 유형을 선택하세요.
- 2 'Frequency' 값을 조절하여 EQ 조절의 중심 주파수를 선택하세요.
- 3 'Gain' 값을 조절하여 해당 밴드로 통제되는 주파수를 강화 또는 약화시킵니다.
- 4 'Q Factor' 값을 사용하여 해당 주파수의 대역폭을 조절합니다.

리셋 버튼을 사용하면 EQ 창에 있는 모든 컨트롤을 기본 설정값으로 리셋할 수 있습니다.

Fairlight에는 각 오디오 트랙의 음질을 높일 수 있는 많은 컨트롤 기능을 제공합니다. 더 많은 트랙을 추가하고 버스로 이러한 트랙을 관리할 수 있을 뿐만 아니라 딜레이 또는 리버브 같은 효과를 추가하는 등 완벽한 오디오 믹싱 작업을 수행할 수 있습니다.

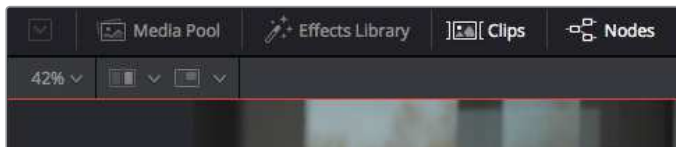
Fusion 페이지에서 VFX 시각효과 추가 및 합성

편집 과정을 마친 상태라면 이제 Fusion 페이지를 열고 DaVinci Resolve에 2D 또는 3D 시각 효과와 모션 그래픽을 그대로 추가할 수 있습니다. 레이어 기반 합성 소프트웨어와는 달리 노드 기반 소프트웨어인 Fusion에서는 이미지 데이터를 원하는 방식으로 연결해 복잡한 합성 효과를 생성할 수 있습니다. 앞부분에서 소개한 모든 도구들을 노드 윈도우에 있는 것을 확인할 수 있습니다. 컬러 페이지에서 노드 기반 워크플로를 이미 사용해 본 적이 있다면, 앞으로 소개하는 내용도 익숙할 것입니다.

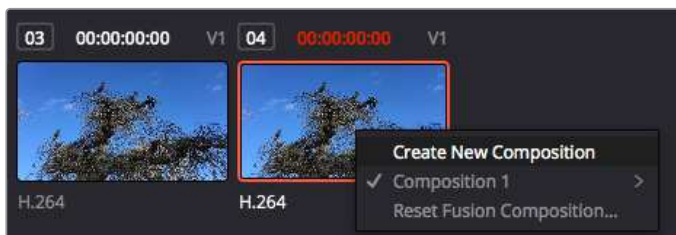


Fusion 페이지

Fusion 페이지에는 두 개의 뷰어 윈도우가 가로로 배열되어 있으며 트랜스포트 컨트롤을 통해 미디어를 확인할 수 있습니다. 오른쪽에는 인스펙터 창이 있어 도구 설정을 할 수 있으며, 뷰어 윈도우 하단의 노드 창을 통해 합성을 추가할 수 있습니다. 뷰어와 트랜스포트 컨트롤은 항상 보이는 곳에 있지만 디스플레이 상단 맨 끝에 있는 인터페이스 툴바에 있는 아이콘을 클릭하면 노드 및 인스펙터 창을 띄우거나 숨길 수 있으며, 또한 이펙트 라이브러리 및, 스플라인 및 키프레임 같은 추가 창을 띄우거나 숨기는 것도 가능합니다.



- **미디어 풀(Media Pool):** 미디어 풀은 편집 페이지에 나온 방식과 동일하게 작동합니다. 그저 빈에서 추가하려는 미디어를 드래그해온 다음 합성 영상에 직접 가져다 놓기만 하면 됩니다.
- **이펙트 라이브러리(Effects Library):** 이펙트 라이브러리는 Fusion 도구와 템플레이트를 파티클, 트래킹, 필터 및 제너레이터 등의 항목으로 나누어 놓은 곳입니다. 도구를 클릭하거나 노드 창으로 드래그하여 합성에 추가해주기만 하면 됩니다. 미디어 풀과 이펙트 라이브러리는 화면에서 똑같은 공간을 차지하므로 둘을 바꿔가며 사용하면 뷰어를 최대 크기로 놓고 작업할 수 있습니다.
- **클립(Clips):** 'Clips' 탭을 누르면 타임라인에서 작업 중인 클립을 나타내는 썸네일을 띄우거나 숨길 수 있습니다. 썸네일이 노드 창 하단에 나타나기 때문에 즉시 다른 클립을 살펴보는 것이 가능합니다.



새로운 합성 버전을 생성하려면 썸네일을 우클릭하여 'Create New Composition'을 선택하세요.

- **뷰어:** 뷰어는 항상 보이는 곳에 있으며 합성 효과를 다양한 각도에서 확인할 수 있습니다. 예를 들어 3D 시점에서 3D 노드 합치기, 카메라 출력 또는 최종 렌더링 출력 등을 전체적으로 확인할 수 있습니다. 또한 이 뷰어를 통해 변경사항이 어떻게 적용되었는지 확인할 수 있습니다.

뷰어를 통해 보고 싶은 노드를 선택한 다음 숫자 1을 입력하면 왼쪽 뷰어에, 숫자 2를 입력하면 오른쪽 뷰어에 해당 노드가 나타납니다. 노드 하단에 하얀 버튼 아이콘이 나타나 어떤 뷰어가 지정되었는지 알 수 있습니다. 외부 비디오 모니터링을 사용할 경우 세번째 버튼을 통해 미디어를 사용 중인 외부 비디오 모니터로 라우팅할 수 있습니다.

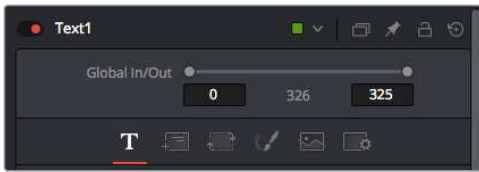
정보 노드를 뷰어로 직접 드래그하면 뷰어에 해당 노드를 지정할 수도 있습니다.

뷰어 하단의 트랜스포트 제어를 통해 클립의 시작 또는 끝 부분으로 이동하거나, 앞으로 감기, 뒤로 감기 또는 재생 멈추기 기능을 사용할 수 있습니다. 클립 전체의 인/아웃 포인트가 타임라인 눈금 위에 노란색으로 표시되어 나타납니다.



타임라인 눈금의 노란색 표시는 타임라인 상 클립의 인/아웃 포인트를 나타냅니다. Fusion 클립 또는 컴파운드 클립을 사용할 경우, 타임라인 눈금은 핸들을 제외하고 타임라인에 나온 클립의 재생 시간만을 표시하게 됩니다.

- **노드(Nodes):** Fusion 페이지의 중심에 자리한 노드 창을 통해 하나의 노드 출력을 다른 노드 출력에 연결하는 식으로 노드 트리를 생성할 수 있습니다. 노드 창의 크기는 스플라인 창이나 키프레임 창 등, 현재 사용 중인 편집 창에 따라 달라집니다. 노드 창 상단의 툴바에는 가장 자주 사용되는 도구를 선별해 놓아 신속하게 사용할 수 있도록 하였습니다.
- **스플라인(Spline):** 스플라인 창은 노드 창의 오른쪽에 나타납니다. 이 편집 창에서는 각 노드에 베지어 커브를 사용하여 두 개의 키프레임 간에 있는 애니메이션을 부드럽게 하는 등 정교한 조절이 가능합니다.
- **키프레임(Keyframes):** 키프레임 편집 창을 사용하여 각 도구를 위한 키프레임을 추가, 제거 및 변경할 수 있습니다. 키프레임 창은 노드 창의 오른쪽에 나타납니다.
- **메타데이터(Metadata):** 메타데이터 창에서는 작업 중인 클립의 코덱 및 프레임 레이트, 타임코드 같은 메타데이터를 확인할 수 있습니다.
- **인스펙터(Inspector):** 오른쪽 상단 모서리의 인스펙터는 선택된 하나 이상의 노드를 위한 모든 설정과 모디파이어를 보여줍니다. 또한 항목별로 분류된 여러 노드 설정을 위한 추가 탭도 나타나므로 이를 통해 빠르게 설정할 수 있습니다.



텍스트 인스펙터는 텍스트, 레이아웃, 변형, 셰이딩, 이미지 및 설정 등의 추가 탭을 보여줍니다.

Fusion 시작하기

Fusion을 시작하려면 타임라인 상 아무 클립 위에 재생 헤드를 이동한 다음 'Fusion' 탭을 클릭하여 Fusion 페이지를 열기만 하면 됩니다.

Fusion 페이지를 열었다면 MediaIn이라고 표시된 미디어 입력 노드가 클립에 적용되어 클립을 사용할 준비가 된 것을 확인할 수 있습니다. 모든 합성 샷은 MedianIn과 MediaOut 노드로 시작됩니다. MediaIn 노드는 재생 헤드가 있는 타임라인의 가장 위에 있는 클립을 나타내며, 이 클립 밑에 있는 다른 클립들은 반영하지 않습니다. 지금까지 편집 페이지에서 클립에 적용한 변형 도구와 크로핑과 같은 모든 변경 사항이 그대로 적용되어 있는 것을 확인할 수 있습니다.



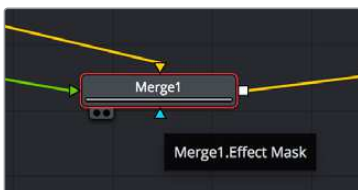
미디어 출력 노드는 DaVinci Resolve의 편집(Edit) 페이지에 있는 타임라인으로 다시 출력을 보내는 노드로, MediaOut으로 표시되어 있습니다.

정보 편집 페이지에서 클립에 적용된 ResolveFX 또는 OFX 플러그인의 경우, Fusion 페이지에서는 적용되지 않습니다. 이는 Fusion 효과가 색보정 및 OFX/ResolveFX 프로세싱 이전 단계에서 일어나기 때문입니다. Fusion 효과 이전 단계에서 OFX를 적용하려면 편집 페이지에서 클립을 우클릭한 후 'New Fusion Clip'을 선택한 다음 'Fusion' 페이지를 클릭하세요.

노드 이해하기

각 노드를 단일 도구, 또는 효과를 나타내는 시각적인 아이콘으로 생각하면 사용법 이해에 도움이 됩니다. 마치 여러 재료를 조합하여 케이크를 만드는 것처럼 노드를 다른 노드와 연결하면 전체적인 합성 작업을 마칠 수 있습니다. 각 노드의 입력과 출력을 이해해야 디테일한 시각 효과를 제작하는 동시에 합성의 플로우를 확인할 수 있어 중요한 부분이라 할 수 있습니다.

일부 도구는 다른 노드와 연결할 수 있는 다수의 입력과 출력을 가지고 있습니다. 예를 들어 노드 합치기 도구를 사용하면 전경 입력과 배경 입력 그리고 마스크 입력을 매트 또는 키와 합칠 수 있습니다.



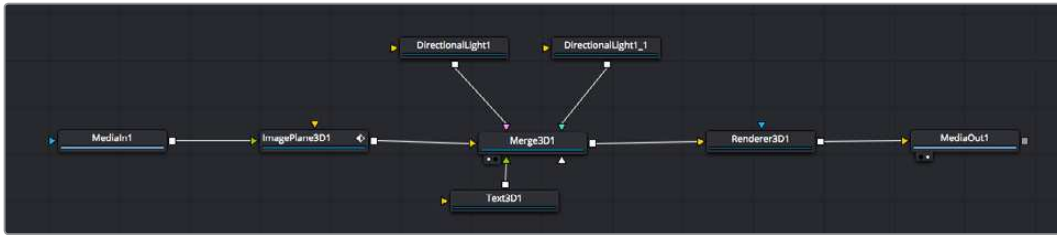
- ▶ 전경 입력
- ▶ 배경 입력
- ▶ 효과 마스크 입력
- 출력

여러 개의 노드 출력은 단일 노드에 다양한 노드를 연결해 합성 슷을 작업할 수 있음을 뜻합니다. 따라서 레이어 기반 소프트웨어를 사용할 때처럼 클립을 복사할 필요가 없습니다. 연결된 노드 사이의 화살표는 이미지 데이터가 이동하는 방향을 파악하는데 도움을 주는 유용한 시각적 표시 장치입니다.

노드 편집기에 노드 추가하기

효과를 추가하려면 간단히 MediaIn과 MediaOut 노드 사이의 선에 노드를 가져다 놓기만 하면 됩니다.

이는 몇 가지 방법을 통해 수행할 수 있습니다. 'Shift' 버튼을 누른 채로 두 노드 사이에 노드를 떨어뜨리거나 효과를 적용하려는 노드를 클릭한 후 추가하려는 도구를 선택하면 됩니다. 그러면 새로운 노드가 선택한 도구에 자동적으로 연결됩니다. 또한 노드 창의 아무 곳이나 노드를 추가하거나, 노드의 출력을 다른 노드의 입력 부분에 드래그해 놓는 방식을 사용해 수동적으로 노드를 연결할 수도 있습니다.



이 중, 가장 자주 사용되는 도구는 2D 또는 3D 노드 합치기 도구입니다. 이 노드는 노드 편집자 안의 모든 도구를 단일 출력으로 합쳐주는 중앙 허브와도 같습니다.

노드 합치기는 크기, 위치, 블렌드 등의 입력을 제어할 수 있는 기능을 갖추고 있습니다. 노드 합치기를 선택할 경우 모든 설정을 인스펙터창에서 사용할 수 있습니다.

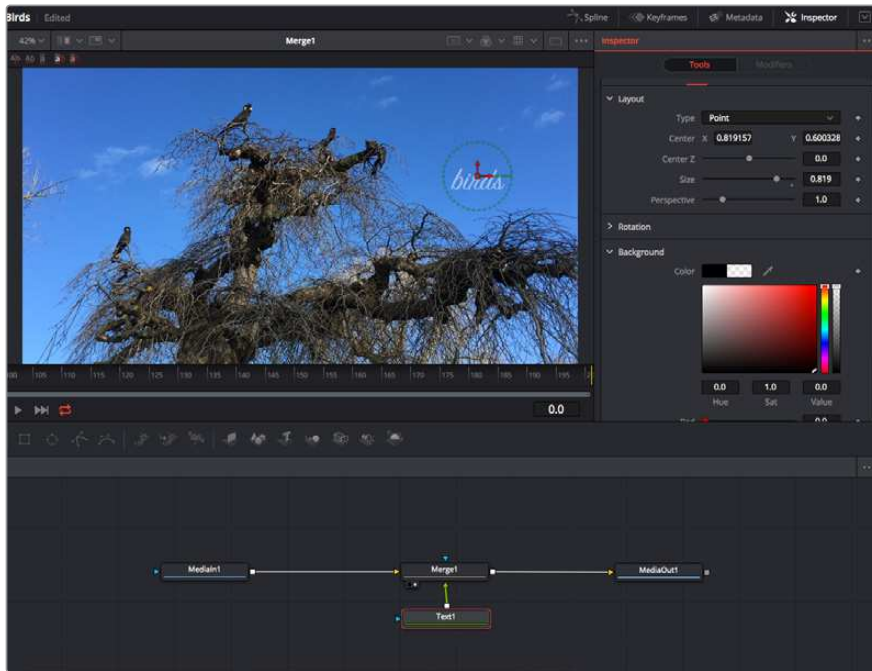
가장 자주 사용하는 도구는 노드 창 상단의 툴바에 아이콘으로 표시되어 있으며, 이를 클릭하여 노드를 추가하거나 도구를 노드창으로 드래그할 수 있습니다. 사용 가능한 모든 도구를 보려면 화면 상단 왼쪽의 'Effects Library'를 클릭한 다음 'Tools' 옵션을 눌러 창을 여세요. 여기에서 항목 별로 분류된 모든 도구뿐 아니라 렌즈 플레어, 음형 효과 및 배경 등 사전 제작한 템플레이트를 사용할 수 있습니다.

정보 도구 이름에 익숙해졌다면 키보드에서 [Shift] 버튼을 누른 채 스페이스바 키를 누르면 'Select Tools' 메뉴가 나타납니다. 도구 이름을 입력하면 메뉴에 현재 작업에 알맞은 도구가 나타납니다. 이는 원하는 도구를 신속하게 선택할 수 있는 방법입니다.

인스펙터 창을 사용하여 노드 조정하기

인스펙터 창을 사용하여 노드 설정을 변경하세요. 변경하려는 노드를 클릭해주기만 하면 창이 업데이트되어 변경된 설정과 제어가 나타납니다.

Fusion을 사용할 경우, 합성 단계에서 다른 노드를 보면서 해당 노드를 변경할 수 있기 때문에 편집 도중 노드를 직접 보면서 작업할 필요가 없습니다. 예를 들어, 노드 합치기가 뷰어에 있는 상태에서 'Text+' 노드의 크기와 중심 위치를 변경하여 배경과 비교하면서 텍스트를 확인할 수 있습니다.



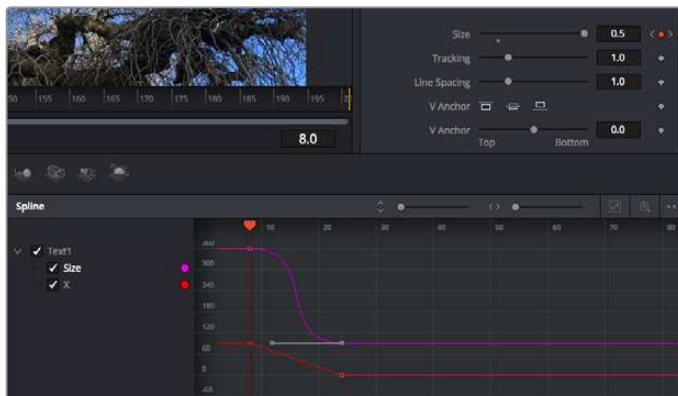
선택한 노드의 테두리는 빨간 색으로 표시됩니다. 여기서 인스펙터 창을 통해 텍스트 노드의 레이아웃 탭 컨트롤을 볼 수 있습니다.

작업에 따라 각 노드의 크기, 중심 위치부터 에미터 노드 파티클 개수까지 다양한 파라미터와 설정을 변경할 수 있습니다. 키프레임 설정을 조절하고 변경하면 시간이 지남에 따라 애니메이션 효과를 적용하게 됩니다.

키프레임 작업

인스펙터 창에서 키프레임을 설정하려면 'Settings' 공간에서 마우스를 우클릭한 후, 메뉴에서 'Animate'를 선택하세요. 'Settings' 공간의 오른쪽에 있는 키프레임 아이콘이 빨간색으로 변합니다. 이는 키프레임이 활성화되어 앞으로 모든 변경 사항이 현재 프레임에만 적용됨을 뜻합니다. 다른 프레임에서 파라미터 설정을 변경하는 도중에 두 개 이상의 키프레임이 생성될 경우, 키프레임 사이에 트랜지션이 생성됩니다. 키프레임 아이콘 양쪽에 있는 화살표를 통해 타임라인의 정확한 위치로 플레이헤드를 이동시킬 수 있습니다.

Spline 창을 통해 키프레임 애니메이션을 추가적으로 제어할 수 있습니다. 처음과 마지막 부분의 키프레임을 선택한 다음 [Shift + S] 키를 입력하면 두 키프레임 사이의 애니메이션이 부드러운 베지어 커브를 그리도록 만들 수 있습니다. 아니면 키프레임을 우클릭한 다음 'Smooth'를 선택해도 동일한 기능이 적용됩니다.



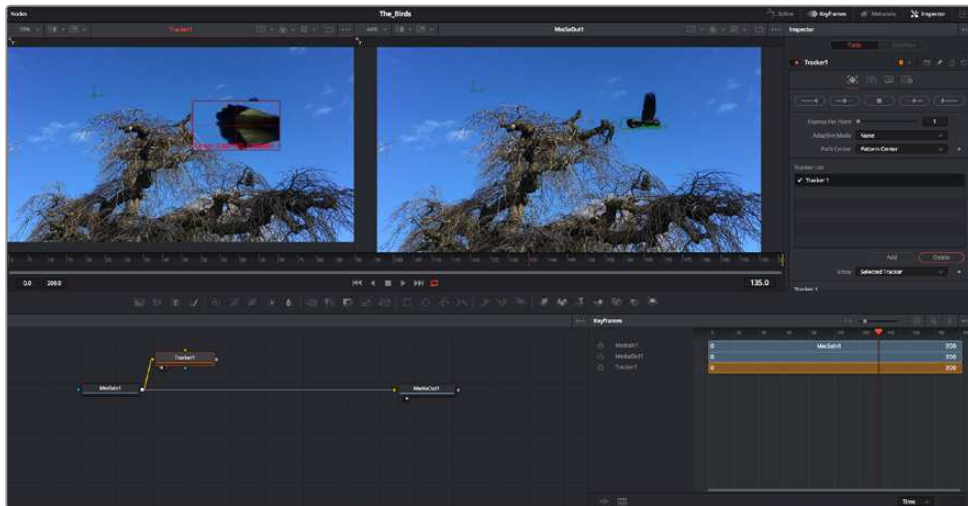
여기에서 'Size' 키프레임 애니메이션이 베지어 커브 모양으로 부드럽게 표현된 것을 확인할 수 있습니다. '베지어 핸들'을 클릭하여 커브를 단축하거나 늘리고, 사각형 모양의 '키프레임' 아이콘을 클릭하여 키프레임 위치를 이동할 수도 있습니다.

모션 트래커 사용과 텍스트 추가 방법

Fusion 사용법에 대한 이해를 돕기 위하여 다음 예시를 통해 클립에서 트래커 기능 사용하는 방법과 트래킹 데이터를 사용하여 텍스트를 추가하고 요소에 연결하는 방법을 설명하겠습니다.

Tracker 도구는 X/Y 축의 픽셀을 지속적으로 추적한 후 데이터를 생성하여, 이를 해당 픽셀에 다른 요소를 추가하는데 사용할 수 있습니다. 이는 길을 따라 움직이는 차량이나 프레임을 가로질러 날아가는 새와 같이 움직이는 사물에 텍스트를 매칭시키기 매우 유용한 기능입니다.

- 1 'Effects Library'에서 'Tracking' 도구를 선택하여 'MediaIn'과 'MediaOut' 노드 사이의 선 위로 드래그하세요. 이제 '트래커 노드'를 클릭하여 인스펙터 속성을 확인하세요.
- 2 키보드에서 숫자 [1]을 입력하면 왼쪽 뷰어에서 트래커 노드를 확인할 수 있습니다. 트래커 노드가 클립과 함께 뷰어에서 기본 설정된 위치에 나타납니다. 트래커 위에 마우스 포인터를 가져다 대면 트래커 핸들이 나타납니다. 왼쪽 상단 코너의 '트래커 핸들'을 클릭한 후, 트래커를 원하는 클립 영역으로 드래그하세요. 이 기능은 자동차 보닛의 상표처럼 고대비를 이루는 부분을 작업하는데 적합합니다. 트래커로 이미지 영역을 확대해 아주 정밀하게 작업할 수 있습니다.
- 3 인스펙터 창을 띄운 채로 'Track Forward' 버튼을 클릭하면 트래킹이 시작됩니다. 트래킹이 완료되면 알림창이 나타납니다. 'OK'를 클릭합니다.

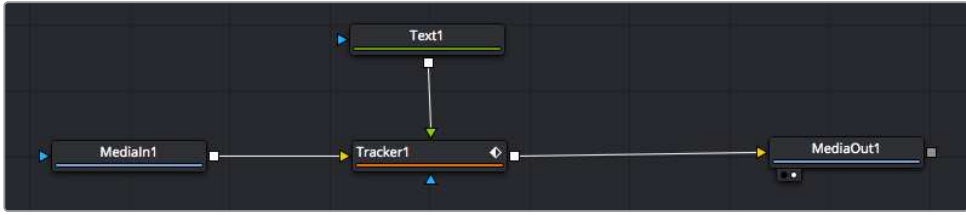


인스펙터 창의 트래킹 기능 중에는 이전 또는 현재 프레임에서부터 뒤로 가기, 트래킹 중지, 현재 프레임 또는 첫 번째 프레임에서부터 앞으로 가기 등이 있습니다.

정보 현재 프레임의 뒤로 가기/앞으로 가기 트래킹 기능은 차량이나 새가 프레임 밖으로 사라지는 경우처럼 렌더링 도중 작업하던 부분이 사라지는 상황에서 매우 유용합니다. 이를 통해 필요한 영상만을 트래킹할 수 있습니다.

이제 트래킹 데이터를 가져와 텍스트 도구에 움직임 경로를 적용할 수 있습니다.

- 4 자주 사용되는 노드 툴바에서 'Text+' 노드 아이콘을 클릭한 다음, 노드 창 안의 트래커 노드 근처로 드래그하세요. 'Text'노드의 출력 점을 'Tracker' 노드의 초록색 입력 점과 연결하세요.



- 5 'Tracker' 노드를 클릭한 후 1을 입력하면 왼쪽 뷰어에서 합쳐진 결과를 확인할 수 있습니다. 트래커 'Inspector' 창에서 'Operations' 탭을 클릭하세요. 마우스 포인터를 위에 가져다 대면 탭의 이름을 확인할 수 있습니다. 'Operation' 옆에 있는 드롭다운 메뉴를 클릭한 다음 'Match Move'를 선택하세요.
- 6 이제 'Text' 노드를 클릭하여 인스펙터 속성을 확인하세요. 텍스트 상자 안에 텍스트를 입력한 후 폰트, 색상 및 크기를 합성 작업에 맞게 변경하세요.

이를 통해 트래커의 트래킹 위치 데이터가 텍스트에 적용됩니다. 텍스트 오프셋을 변경하려면 인스펙터 패널의 'Tracker' 탭을 클릭한 후 X/Y 오프셋 스크롤 휠을 사용하여 위치를 변경할 수 있습니다.



트래커 'Inspector' 창의 하단에 있는 스크롤 휠을 통해 텍스트의 오프셋 위치를 조정할 수 있습니다.

이제 합성 장면을 재생하여 트래킹한 영상 속에 텍스트가 추가된 것을 확인할 수 있습니다.



초록색 상자는 초록색 선 상 트래커의 현재 위치를 나타내며, 빨간색 점선은 텍스트 애니메이션에 사용된 오프셋 위치를 나타냅니다.

추적하던 사물이 더 이상 등장하지 않을 경우엔 트래킹 포인트를 제거하고 싶을 수도 있습니다. 이때 키프레임 창을 사용하면 트래킹 포인트를 손쉽게 처리할 수 있습니다.



- 7 'Inspector' 창 상단의 'Keyframes' 탭을 클릭하여 키프레임 창을 여세요. 키프레임이 적용된 모든 노드의 라벨 옆에 작은 화살표가 생기며, 키프레임이 추가된 파라미터만이 아래 목록에 나타납니다. 돋보기 아이콘을 클릭하여 편집하려는 영역을 박스 모양으로 드래그하세요. 그러면 해당 영역이 줌인되어 키프레임을 좀 더 손쉽게 볼 수 있습니다.
- 8 원하는 이전 키프레임 위치로 재생 헤드를 이동하세요. 이제 제거하려는 키프레임을 선택하려면 마우스를 드래그하여 키프레임 주변에 박스 모양의 테두리를 만드세요. 키프레임이 노란색으로 빛나는 것을 확인할 수 있습니다. 마우스를 우클릭한 다음 메뉴에서 'Delete'를 선택하세요.

정보 시스템 중심적인 효과 작업에서는 트랜스포트 컨트롤을 우클릭하면 프록시 재생 등의 뷰 옵션이 나타나 합성 작업 시 시스템 기능을 최대한 활용할 수 있습니다. 모든 재생 기능에 대한 자세한 정보는 DaVinci Resolve 설명서를 참고하세요.

이렇게 영상 속 움직임에 맞추어 텍스트 애니메이션을 추가하는 첫 번째 합성 작업이 끝났습니다.

영상 속에서 밋밋해 보이는 부분을 좀 더 살리거나 교체하려면 플래너 트래킹 기능을 사용할 수 있습니다. 2D 면을 트래킹하면 움직이는 영상 속의 라벨과 사인을 변경하거나 심지어는 쏘에 나오는 모니터나 TV에 이미지를 추가하는데 도움이 됩니다.

DaVinci Resolve Fusion 페이지의 플래너 트래커와 다양한 뛰어난 도구 모음에 대한 더 자세한 정보는 DaVinci Resolve 설명서를 참고하세요.

정보 Fusion 페이지에서 시각 효과를 제작할 경우, 2D 효과 또는 3D 효과 작업에 따라 사용할 합치기 도구가 달라진다는 점을 기억하세요. 하나의 합성 작업에서 2D와 3D 효과를 함께 사용해야 하는 일이 자주 있을 수 있습니다. 이러한 상황에서는 3D 공간을 사용하는 모든 시각 효과를 2D 합성본으로 합치기 전에 2D 이미지로 렌더링해야 한다는 사실을 기억하세요.

이제, Fusion의 시각 효과와 DaVinci Resolve의 강력한 편집, 컬러, Fairlight 페이지 기능을 즐겁게 사용하시기를 바랍니다. DaVinci Resolve에서는 손가락 끝으로 이 놀랍도록 강력한 기능들을 모두 제어할 수 있으며 무한한 방식으로 사용할 수 있습니다.

편집 영상 마스터링하기

지금까지 편집 및 색보정, 시각효과 적용, 오디오 믹스까지 마쳤으니 이제 다른 사람들과 작업 결과물을 공유할 수 있습니다. 타임라인의 콘텐츠를 단일 파일로 다양한 포맷으로 출력하려면 'Quick Export' 버튼 혹은 메뉴 버튼을 누르거나, 딜리버리 페이지의 추가 기능들을 사용합니다.



Deliver 페이지는 편집 영상을 보내기를 하는 곳입니다. 다양한 비디오 포맷과 코덱을 선택할 수 있습니다

신속한 내보내기

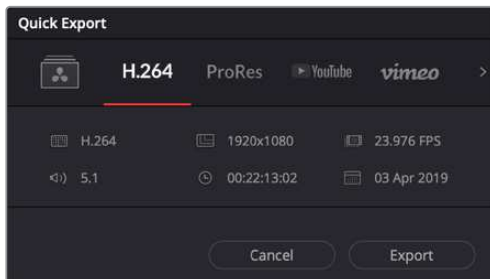
'File'에서 'Quick Export'를 눌러 다양한 내보내기 프리셋 기능들을 사용해 보세요. DaVinci Resolve의 어느 페이지에서나 제작한 결과물을 내보낼 수 있습니다. 또한, 신속한 내보내기 기능을 사용하여 유튜브 및 비메오, Frame.io 등의 지원 비디오 공유서비스로 프로그램을 즉각 업로드 할 수 있습니다.

신속한 내보내기 기능 사용하기

- 1 편집 및, Fusion, 컬러 페이지에서 내보내고 싶은 부분을 타임라인에서 인/아웃 포인트로 설정합니다. 만약 타임라인에 인/아웃 포인트가 설정되지 않았다면, 전체 타임라인에 내보내기 기능이 적용됩니다.

'File' > 'Quick Export' 를 선택합니다.

- 2 신속한 내보내기 대화창에 있는 상단 아이콘 열에서 프리셋을 선택하세요.
- 3 대화창에서 디렉토리 위치를 선택한 후 파일명을 입력한 다음 'Save'를 클릭하세요. 진행 창이 나타나며 내보내기에 걸리는시간을 보여줍니다.



신속한 내보내기 창

딜리버리 페이지

이 페이지에서 보내기 하려는 클립의 범위, 포맷, 코덱, 해상도 등을 선택할 수 있습니다. 8비트 및 10비트 비압축 RGB/YUV, ProRes, DNxHD, H.264 등의 코덱을 사용해 QuickTime, AVI, MXF, DPX 같은 다양한 포맷으로 보내기 할 수 있습니다.

다음과 같은 방식으로 편집 영상을 하나의 클립으로 보내기 할 수 있습니다.

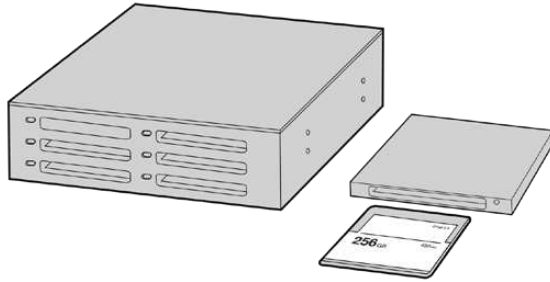
- 1 'Deliver' 탭을 클릭해 딜리버리 페이지를 여세요.
- 2 좌측 상단의 'Render Settings' 창으로 이동하세요. YouTube, Vimeo, 오디오 프리셋 등 다양한 내보내기 프리셋에서 선택하거나, 기본 설정인 Custom 프리셋으로 두고 파라미터를 직접 입력하여 내보내기를 수동으로 설정할 수도 있습니다. 예를 들어 YouTube를 선택한 뒤 프리셋 옆의 화살표를 클릭해 1080p 비디오 포맷을 선택하세요.
프레임 레이트는 보통 프로젝트 프레임 레이트 설정과 동일하게 설정됩니다.
- 3 프리셋 아래쪽에서 타임라인 파일명과 내보내기한 비디오의 저장 위치를 확인할 수 있습니다. 'Browse' 버튼을 클릭하고 내보내기 한 파일을 저장할 위치를 선택한 다음, 'Render' 옵션에서 'Single Clip'을 선택하세요.
- 4 타임라인 바로 위에 'Entire Timeline'으로 선택된 옵션 상자가 있습니다. 이 옵션은 전체 타임라인을 출력하며, 원할 경우 타임라인의 특정 부분만 선택해 출력할 수 있습니다. 간단히 'In/Out Range'를 선택한 뒤, [i] 및 [o] 단축키를 사용하여 타임라인의 입/출력 포인트를 선택할 수 있습니다.
- 5 'Render Settings' 아래에 있는 'Add to Render Queue' 버튼을 클릭하세요.
설정된 렌더링이 화면 우측의 'Render Queue'에 추가됩니다. 이제 'Start Render'를 클릭해 'Render Queue'에서 진행되는 렌더링 진행 과정을 모니터링하면 됩니다.
렌더링이 완료되면 해당 폴더에서 렌더링 된 클립을 더블 클릭해 완성된 편집 영상을 확인할 수 있습니다.

지금까지 편집 및, 색보정, 오디오 믹스, 시각효과를 어떻게 사용하는지에 대한 기본 지식을 습득하였습니다. 이제 DaVinci Resolve로 다양한 기능을 시도해 보세요! DaVinci Resolve 설명서를 참고하시면 각 기능에 대한 설명을 보다 자세히 파악할 수 있습니다.

서드 파티 소프트웨어로 작업하기

DaVinci Resolve같이 사용자가 선호하는 편집 소프트웨어를 사용하여 클립을 편집하려면 클립을 카메라에서 내장/외장 드라이브에 복사한 뒤, 소프트웨어에서 클립을 가져옵니다. CFast/SD 카드를 위한 도크나 어댑터, 또는 USB-C 플래시 디스크를 위한 USB-C 포트를 통해 저장 미디어에서 클립을 바로 가져오기 할 수도 있습니다.

CFast 2.0 및 SD 카드로 파일 작업하기



카메라에서 CFast 카드 또는 SD 카드를 꺼내어 CFast 2.0 카드 리더기 또는 CFast 드라이브를 통해 컴퓨터에 연결하면 바로 편집을 시작할 수 있습니다.

다음과 같은 방식으로 CFast 2.0 또는 SD 카드에서 클립을 가져오기 할 수 있습니다.

- 1 Blackmagic Pocket Cinema Camera에서 CFast 또는 SD 카드를 꺼내세요.
CFast 2.0 카드 및 SD 카드 리더기 또는 CFast 드라이브를 사용하여 CFast/SD 카드를 Mac 또는 Windows 컴퓨터에 연결하세요.
- 2 CFast/SD 카드를 더블 클릭하면 Blackmagic RAW 파일 또는 QuickTime 동영상 파일이 있는 폴더를 열 수 있습니다. 선택한 촬영 포맷에 따라 믹스 포맷 파일로 촬영하더라도 컴퓨터에는 모두 동일한 표준에 따른 파일명으로 표시됩니다.
- 3 CFast/SD 카드에서 원하는 파일을 사용하는 컴퓨터 또는 다른 하드 드라이브로 드래그하여 옮기거나, 편집 소프트웨어에서 CFast/SD 카드에 저장된 파일을 바로 사용할 수 있습니다.
- 4 Mac OS 또는 Windows 컴퓨터에서 CFast/SD 카드를 분리하기 전에 항상 CFast/SD 카드의 접속을 해제하는 것이 중요합니다. 접속을 해제하지 않고 꺼낼 경우 영상이 손상될 수 있습니다.

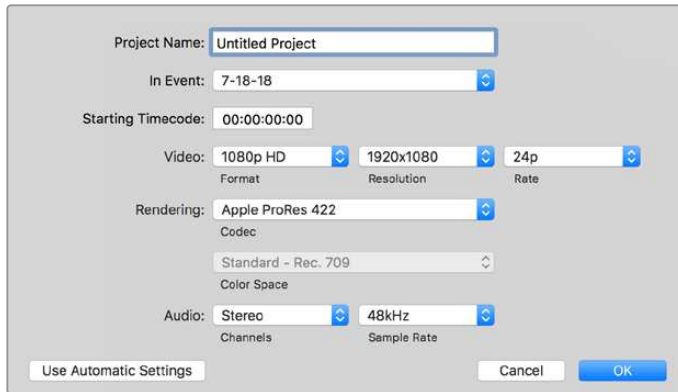
USB-C 플래시 디스크 파일로 작업하기

USB-C 플래시 디스크에서 클립 가져오기

- 1 카메라에서 USB-C 플래시 디스크 연결을 제거하세요.
- 2 Mac OS X/Windows 컴퓨터의 USB-C 포트를 통해 USB-C 플래시 디스크를 컴퓨터에 장착하세요. USB 2.0은 실시간 비디오 편집을 할 수 있을 만큼 빠르지 않기 때문에 USB 3.0 사용이 권장됩니다.
- 3 USB-C 플래시 디스크를 더블 클릭하면 QuickTime 무비 파일 목록이나 Blackmagic RAW 파일 목록이 나타납니다. 선택한 촬영 포맷에 따라 믹스 포맷 파일로 촬영하더라도 컴퓨터에는 모두 동일한 표준에 따른 파일명으로 표시됩니다.
- 4 USB-C 플래시 디스크에서 원하는 파일을 컴퓨터 또는 다른 하드 드라이브로 드래그하여 옮기거나, NLE 소프트웨어를 사용하면 USB-C 플래시 디스크 파일에 바로 접속할 수 있습니다.
- 5 컴퓨터에서 USB-C 플래시 디스크를 뽑기 전에 USB-C 플래시 디스크 연결을 먼저 해제하세요.

Final Cut Pro X 사용하기

Final Cut Pro X를 사용하여 클립을 편집하려면 새로운 프로젝트를 생성하여 알맞은 비디오 포맷과 프레임 레이트를 설정해야 합니다. 다음 예시에서는 ProRes 422 HQ 1080p24 설정을 사용하고 있습니다.



Final Cut Pro X 프로젝트 설정

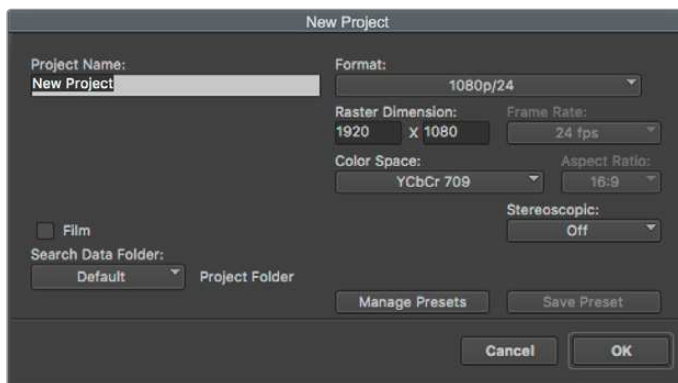
- 1 Final Cut Pro X를 실행하고 메뉴바에서 'Final' > 'New Project' 를 선택하세요. 프로젝트 설정 창이 열립니다.
- 2 프로젝트의 이름을 입력하고 'Custom' 확인란을 선택합니다.
- 3 'Video Properties' 설정을 '1080p HD', '1920x1080', '24p'로 설정합니다.
- 4 'Audio'와 'Rendering' 설정을 각각 'Stereo'/'48kHz'/'Apple ProRes 422 HQ' 로 설정합니다.
- 5 'OK'를 클릭합니다.

메뉴바에서 'File' > 'Import' > 'Media' 를 선택하면 프로젝트에 클립을 가져오기 할 수 있습니다. CFast 카드에서 클립을 선택합니다.

이제 편집하려는 클립을 타임라인에 드래그합니다.

Avid Media Composer 2018 사용하기

Avid Media Composer 2018에서 클립을 편집하려면 새로운 프로젝트를 생성하여 알맞은 비디오 포맷과 프레임 레이트를 설정하세요. 다음 예시의 클립은 1080p24로 설정되어 있습니다.



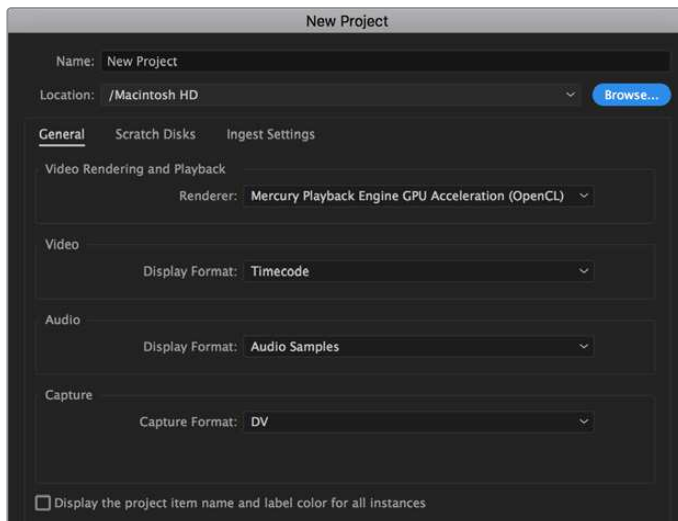
Avid Media Composer 2018의 프로젝트 이름과 옵션을 설정하세요

- 1 Avid Media Composer 2018을 실행하면 'Select Project' 창이 나타납니다.
- 2 'New Project' 버튼을 클릭한 다음 'New Project' 창에서 프로젝트 이름을 만들어주세요.
- 3 'Format' 드롭다운 메뉴에서 'HD 1080' > '1080p/24'를 선택한 후 'OK'를 눌러 프로젝트를 생성하세요.
- 4 'Select Project'에서 해당 프로젝트를 더블 클릭하여 열어주세요.
- 5 'File' > 'Input' > 'Source' 브라우저 차례로 선택한 다음 가져오려는 파일로 이동하세요.
- 6 드롭다운 메뉴에서 'Target Bin'을 선택한 다음 'Import'를 클릭하세요.

미디어 빈에 클립이 나타나면 클립을 타임라인에 드래그한 뒤, 편집을 시작할 수 있습니다.

Adobe Premiere Pro CC 사용하기

Adobe Premiere Pro CC에서 Apple ProRes 422 HQ 클립을 편집하려면 새로운 프로젝트를 생성해 알맞은 비디오 포맷과 프레임 레이트를 설정해야 합니다. 여기서는 클립을 ProRes 422 HQ 1080p25로 설정한 것을 예로 듭니다.



Adobe Premiere Pro CC의 프로젝트 이름과 옵션을 설정하세요

- 1 Adobe Premiere Pro CC를 실행합니다. 웰컴 창에서 'New Project'를 선택합니다. 프로젝트 설정 창이 열립니다.
- 2 프로젝트의 이름을 입력합니다. 'Browse'를 클릭한 뒤, 프로젝트를 저장할 폴더를 설정합니다. 원하는 폴더를 설정한 뒤 'New Project' 창에서 'OK'를 클릭합니다.
- 3 Adobe Premiere Pro CC 'Menu' 바에서 'File'/'Import' 를 선택한 뒤, 편집하려는 클립을 선택합니다. 프로젝트 창에 선택한 클립이 나타납니다.
- 4 첫 번째로 편집하려는 클립을 프로젝트 창 우측 아래에 있는 'New Item' 아이콘으로 드래그합니다. 클립 설정에 맞는 새로운 시퀀스가 생성됩니다.

이제 편집하려는 클립을 시퀀스 타임라인에 드래그합니다.

Blackmagic Camera Setup 유틸리티

카메라 소프트웨어 업데이트 — Mac

Blackmagic Camera Setup 유틸리티 소프트웨어를 다운로드한 뒤, 다운로드한 파일의 압축을 해제합니다. 완성된 디스크 이미지를 열어 Blackmagic Camera Setup 설치 프로그램 확인합니다.

설치 프로그램을 실행하여 화면에 나타나는 지시에 따릅니다. 설치가 완료되면 응용 프로그램 폴더의 Blackmagic Camera 폴더를 열면 설명서, Blackmagic Camera Setup 유틸리티, 리드미 파일 및 정보가 담긴 문서 폴더를 확인할 수 있습니다. Blackmagic Camera Setup을 최신 버전으로 업데이트할 때 필요한 제거 프로그램도 확인할 수 있습니다.



카메라 소프트웨어 업데이트 - Windows

Blackmagic Camera Setup 유틸리티 소프트웨어를 다운로드한 뒤, 다운로드한 파일의 압축을 풀면 Blackmagic Camera Setup 설치 프로그램과 PDF 설명서가 담긴 Blackmagic Camera Setup 폴더가 나타납니다. 설치 프로그램을 더블 클릭한 뒤, 화면에 나타나는 지시 사항에 따라 소프트웨어를 설치합니다.

In Windows 10에서는 시작 버튼을 누른 뒤, '모든 앱' 버튼을 선택하세요. 그런 다음 Blackmagic Design 폴더를 검색하세요. 해당 폴더에서 Blackmagic Camera Setup을 실행할 수 있습니다.

Windows 8.1에서는 시작 화면에서 아래 방향 화살표 아이콘을 누른 뒤, 아래로 스크롤하여 Blackmagic Design 폴더를 선택하세요. 해당 폴더에서 Blackmagic Camera Setup을 실행할 수 있습니다.

카메라 내부 소프트웨어 업데이트하기

사용하는 컴퓨터에 최신 Blackmagic Camera Setup 유틸리티를 설치한 뒤, USB-C 케이블을 사용하여 Blackmagic Pocket Cinema Camera를 컴퓨터에 연결합니다.

USB-C 포트는 카메라 왼쪽면 패널에 배치되어 있습니다. 간단히 고무 커버를 열어 포트를 사용할 수 있습니다.

Blackmagic Camera Setup 유틸리티를 실행한 뒤, 화면에 나타나는 지시에 따르면 카메라 소프트웨어가 업데이트됩니다.

권장 미디어 목록

CFast 2.0 카드

Pocket Cinema Camera 6K 모델을 위한 권장 목록

다음은 Blackmagic Pocket Cinema Camera 6K에서 최대 50fps의 6K Blackmagic RAW 5:1 녹화 시 사용이 권장되는 CFast 2.0 카드 목록입니다.

제조사	카드 모델명	용량
Angelbird	AV PRO CF XT	512GB
CinediskPro	510MB/s CFast 2.0	256GB
Hagiwara Solutions	DC-SMAN64GA CFast 2.0	64GB
Hagiwara Solutions	DC-SMANA1GA CFast 2.0	128GB
KomputerBay	3400x CFast 2.0	64GB
KomputerBay	3400x CFast 2.0	128GB
Lexar	Professional 3400X CFast 2.0	128GB
Lexar	Professional 3500X CFast 2.0	128GB
ProGrade Digital	510MB/s CFast 2.0	128GB
ProGrade Digital	550MB/s CFast 2.0	256GB
ProGrade Digital	550MB/s CFast 2.0	512GB
Transcend	CFX650 CFast 2.0 TS128GCFX650	128GB
SanDisk	Extreme Pro CFast 2.0 SDCFSP-64G-x46D	64GB
SanDisk	Extreme Pro CFast 2.0 SDCFSP-128G-x46D	128GB
SanDisk	Extreme Pro CFast 2.0 SDCFSP-256G-x46D	256GB
SanDisk	Extreme Pro CFast 2.0 SDCFSP-512G-x46D	512GB
Silicon Power	CFX310 CFast 2.0	512GB
Sony	CFast 2.0 G Series CAT-G64	64GB
Sony	CFast 2.0 G Series CAT-G128	128GB
Wise	CFA-2560 3400x CFast 2.0	256GB
Wise	CFA-5120 3500x CFast 2.0	512GB
Wise	CFA-10240 3500X CFast 2.0	1TB

다음은 Blackmagic Pocket Cinema Camera 6K에서 최대 60fps의 6K 2.4:1 Blackmagic RAW 5:1 녹화 시 사용이 권장되는 CFast 2.0 카드 목록입니다.

제조사	카드 모델명	용량
Angelbird	AV PRO CF XT	512GB
CinediskPro	510MB/s CFast 2.0	256GB
Hagiwara Solutions	DC-SMAN64GA CFast 2.0	64GB

제조사	카드 모델명	용량
Hagiwara Solutions	DC-SMANA1GA CFast 2.0	128GB
KomputerBay	3400x CFast 2.0	64GB
KomputerBay	3400x CFast 2.0	128GB
Lexar	Professional 3400X CFast 2.0	128GB
Lexar	Professional 3500X CFast 2.0	128GB
ProGrade Digital	510MB/s CFast 2.0	128GB
ProGrade Digital	550MB/s CFast 2.0	256GB
ProGrade Digital	550MB/s CFast 2.0	512GB
Transcend	CFX650 CFast 2.0 TS128GCFX650	128GB
SanDisk	Extreme Pro CFast 2.0 SDCFSP-64G-x46D	64GB
SanDisk	Extreme Pro CFast 2.0 SDCFSP-128G-x46D	128GB
SanDisk	Extreme Pro CFast 2.0 SDCFSP-256G-x46D	256GB
SanDisk	Extreme Pro CFast 2.0 SDCFSP-512G-x46D	512GB
Silicon Power	CFX310 CFast 2.0	256GB
Silicon Power	CFX310 CFast 2.0	512GB
Sony	CFast 2.0 G Series CAT-G64	64GB
Sony	CFast 2.0 G Series CAT-G128	128GB
Wise	CFA-1280 3400x CFast 2.0	128GB
Wise	CFA-2560 3400x CFast 2.0	256GB
Wise	CFA-5120 3500x CFast 2.0	512GB
Wise	CFA-10240 3500X CFast 2.0	1TB

다음은 Blackmagic Pocket Cinema Camera 6K에서 최대 120fps의 2.8K 17:9 Blackmagic RAW 3:1 녹화 시 사용이 권장되는 CFast 2.0 카드 목록입니다.

제조사	카드 모델명	용량
Angelbird	AV PRO CF XT	512GB
CinediskPro	510MB/s CFast 2.0	256GB
Hagiwara Solutions	DC-SMAN64GA CFast 2.0	64GB
Hagiwara Solutions	DC-SMANA1GA CFast 2.0	128GB
KomputerBay	3400x CFast 2.0	64GB
KomputerBay	3400x CFast 2.0	128GB
Lexar	Professional 3400X CFast 2.0	128GB
Lexar	Professional 3500X CFast 2.0	128GB
Lexar	Professional 3400X CFast 2.0	256GB
ProGrade Digital	510MB/s CFast 2.0	128GB
ProGrade Digital	550MB/s CFast 2.0	256GB

제조사	카드 모델명	용량
ProGrade Digital	550MB/s CFast 2.0	512GB
Transcend	CFX650 CFast 2.0 TS128GCFX650	128GB
SanDisk	Extreme Pro CFast 2.0 SDCFSP-64G-x46D	64GB
SanDisk	Extreme Pro CFast 2.0 SDCFSP-128G-x46D	128GB
SanDisk	Extreme Pro CFast 2.0 SDCFSP-256G-x46D	256GB
SanDisk	Extreme Pro CFast 2.0 SDCFSP-512G-x46D	512GB
Silicon Power	CFX310 CFast 2.0	256GB
Silicon Power	CFX310 CFast 2.0	512GB
Sony	CFast 2.0 G Series CAT-G64	64GB
Sony	CFast 2.0 G Series CAT-G128	128GB
Wise	CFA-1280 3400x CFast 2.0	128GB
Wise	CFA-2560 3400x CFast 2.0	256GB
Wise	CFA-5120 3500x CFast 2.0	512GB
Wise	CFA-10240 3500X CFast 2.0	1TB

다음은 Blackmagic Pocket Cinema Camera 6K에서 최대 60fps의 4K DCI ProRes HQ 녹화 시 사용이 권장되는 CFast 2.0 카드 목록입니다.

제조사	카드 모델명	용량
Angelbird	AV PRO CF XT	512GB
CinediskPro	510MB/s CFast 2.0	256GB
Hagiwara Solutions	DC-SMAN64GA CFast 2.0	64GB
Hagiwara Solutions	DC-SMANA1GA CFast 2.0	128GB
KomputerBay	3400x CFast 2.0	64GB
KomputerBay	3400x CFast 2.0	128GB
Lexar	Professional 3400X CFast 2.0	128GB
Lexar	Professional 3500X CFast 2.0	128GB
Lexar	Professional 3400X CFast 2.0	256GB
ProGrade Digital	510MB/s CFast 2.0	128GB
ProGrade Digital	550MB/s CFast 2.0	256GB
ProGrade Digital	550MB/s CFast 2.0	512GB
Transcend	CFX650 CFast 2.0 TS128GCFX650	128GB
SanDisk	Extreme Pro CFast 2.0 SDCFSP-64G-x46D	64GB
SanDisk	Extreme Pro CFast 2.0 SDCFSP-128G-x46D	128GB
SanDisk	Extreme Pro CFast 2.0 SDCFSP-256G-x46D	256GB
SanDisk	Extreme Pro CFast 2.0 SDCFSP-512G-x46D	512GB
Silicon Power	CFX310 CFast 2.0	256GB

제조사	카드 모델명	용량
Silicon Power	CFX310 CFast 2.0	512GB
Sony	CFast 2.0 G Series CAT-G64	64GB
Sony	CFast 2.0 G Series CAT-G128	128GB
Wise	CFA-1280 3400x CFast 2.0	128GB
Wise	CFA-2560 3400x CFast 2.0	256GB
Wise	CFA-5120 3500x CFast 2.0	512GB
Wise	CFA-10240 3500X CFast 2.0	1TB

다음은 Blackmagic Pocket Cinema Camera 6K에서 최대 120fps의 1080 ProRes 422 HQ 녹화 시 사용이 권장되는 CFast 2.0 카드 목록입니다.

제조사	카드 모델명	용량
Angelbird	AV PRO CF XT	512GB
CinediskPro	510MB/s CFast 2.0	256GB
Hagiwara Solutions	DC-SMAN64GA CFast 2.0	64GB
Hagiwara Solutions	DC-SMANA1GA CFast 2.0	128GB
KomputerBay	3400x CFast 2.0	64GB
KomputerBay	3400x CFast 2.0	128GB
Lexar	Professional 3400X CFast 2.0	128GB
Lexar	Professional 3500X CFast 2.0	128GB
Lexar	Professional 3400X CFast 2.0	256GB
ProGrade Digital	510MB/s CFast 2.0	128GB
ProGrade Digital	550MB/s CFast 2.0	256GB
ProGrade Digital	550MB/s CFast 2.0	512GB
Transcend	CFX650 CFast 2.0 TS128GCFX650	128GB
SanDisk	Extreme Pro CFast 2.0 SDCFSP-64G-x46D	64GB
SanDisk	Extreme Pro CFast 2.0 SDCFSP-128G-x46D	128GB
SanDisk	Extreme Pro CFast 2.0 SDCFSP-256G-x46D	256GB
SanDisk	Extreme Pro CFast 2.0 SDCFSP-512G-x46D	512GB
Silicon Power	CFX310 CFast 2.0	256GB
Silicon Power	CFX310 CFast 2.0	512GB
Sony	CFast 2.0 G Series CAT-G64	64GB
Sony	CFast 2.0 G Series CAT-G128	128GB
Wise	CFA-1280 3400x CFast 2.0	128GB
Wise	CFA-2560 3400x CFast 2.0	256GB
Wise	CFA-5120 3500x CFast 2.0	512GB
Wise	CFA-10240 3500X CFast 2.0	1TB

Pocket Cinema Camera 4K 모델을 위한 권장 목록

다음은 Blackmagic Pocket Cinema Camera 4K에서 최대 60fps의 4K DCI Blackmagic RAW 3:1 녹화 시 사용이 권장되는 CFast 2.0 카드 목록입니다.

제조사	카드 모델명	용량
Angelbird	AV PRO CF	512GB
Angelbird	AV PRO CF	1TB
CinediskPro	510MB/s CFast 2.0	256GB
Hagiwara Solutions	DC-SMAN64GA CFast 2.0	64GB
Hagiwara Solutions	DC-SMANA1GA CFast 2.0	128GB
KomputerBay	3400x CFast 2.0	64GB
KomputerBay	3400x CFast 2.0	128GB
KomputerBay	3700x CFast 2.0	256GB
Lexar	Professional 3400x CFast 2.0	128GB
Lexar	Professional 3500x CFast 2.0	256GB
ProGrade Digital	550MB/s CFast 2.0	128GB
ProGrade Digital	550MB/s CFast 2.0	256GB
ProGrade Digital	550MB/s CFast 2.0	512GB
SanDisk	Extreme Pro CFast 2.0 SDCFSP-256G-x46D	512GB
Wise	CFA-1280 3400x CFast 2.0	128GB
Wise	CFA-2560 3400x CFast 2.0	256GB
Wise	CFA-5120 3500x CFast 2.0	512GB
Wise	CFA-10240 3500x CFast 2.0	1TB

다음은 Blackmagic Pocket Cinema Camera 4K에서 최대 60fps의 4K DCI ProRes HQ 녹화 시 사용이 권장되는 CFast 2.0 카드 목록입니다.

제조사	카드 모델명	용량
Angelbird	AV PRO CF	128GB
Angelbird	AV PRO CF	256GB
Angelbird	AV PRO CF	512GB
CinediskPro	510MB/s CFast 2.0	256GB
Hagiwara Solutions	DC-SMAN64GA CFast 2.0	64GB
Hagiwara Solutions	DC-SMANA1GA CFast 2.0	128GB
KomputerBay	3400x CFast 2.0	128GB
KomputerBay	3700x CFast 2.0	256GB
ProGrade Digital	550MB/s CFast 2.0	256GB
ProGrade Digital	550MB/s CFast 2.0	512GB
SanDisk	Extreme Pro CFast 2.0 SDCFSP-64G-x46D	64GB

제조사	카드 모델명	용량
SanDisk	Extreme Pro CFast 2.0 SDCFSP-128G-x46D	128GB
SanDisk	Extreme Pro CFast 2.0 SDCFSP-256G-x46D	256GB
Sony	CFast 2.0 G Series CAT-G64	64GB
Sony	CFast 2.0 G Series CAT-G128	128GB
Wise	CFA-1280 3400x CFast 2.0	128GB
Wise	CFA-2560 3400x CFast 2.0	256GB
Wise	CFA-5120 3500x CFast 2.0	512GB
Wise	CFA-10240 3500x CFast 2.0	1TB

다음은 Blackmagic Pocket Cinema Camera 4K에서 최대 30fps의 4K DCI 무손실 RAW 녹화 시 사용이 권장되는 CFast 2.0 카드 목록입니다.

제조사	카드 모델명	용량
Angelbird	AV PRO CF	128GB
Angelbird	AV PRO CF	256GB
Angelbird	AV PRO CF	512GB
CinediskPro	510MB/s CFast 2.0	256GB
KomputerBay	3400x CFast 2.0	128GB
ProGrade Digital	550MB/s CFast 2.0	256GB
ProGrade Digital	550MB/s CFast 2.0	512GB
SanDisk	Extreme Pro CFast 2.0 SDCFSP-64G-x46D	64GB
SanDisk	Extreme Pro CFast 2.0 SDCFSP-128G-x46D	128GB
SanDisk	Extreme Pro CFast 2.0 SDCFSP-256G-x46D	256GB
Sony	CFast 2.0 G Series CAT-G64	64GB
Sony	CFast 2.0 G Series CAT-G128	128GB
Wise	CFA-1280 3400x CFast 2.0	128GB
Wise	CFA-2560 3400x CFast 2.0	256GB
Wise	CFA-5120 3500x CFast 2.0	512GB

다음은 Blackmagic Pocket Cinema Camera 4K에서 최대 60fps의 4K DCI 3:1 RAW 녹화 시 사용이 권장되는 CFast 2.0 카드 목록입니다.

제조사	카드 모델명	용량
Angelbird	AV PRO CF	128GB
Angelbird	AV PRO CF	256GB
Angelbird	AV PRO CF	512GB
CinediskPro	510MB/s CFast 2.0	256GB
KomputerBay	3400x CFast 2.0	128GB

제조사	카드 모델명	용량
ProGrade Digital	550MB/s CFast 2.0	256GB
ProGrade Digital	550MB/s CFast 2.0	512GB
SanDisk	Extreme Pro CFast 2.0 SDCFSP-64G-x46D	64GB
SanDisk	Extreme Pro CFast 2.0 SDCFSP-128G-x46D	128GB
SanDisk	Extreme Pro CFast 2.0 SDCFSP-256G-x46D	256GB
Sony	CFast 2.0 G Series CAT-G64	64GB
Sony	CFast 2.0 G Series CAT-G128	128GB
Wise	CFA-1280 3400x CFast 2.0	128GB
Wise	CFA-2560 3400x CFast 2.0	256GB
Wise	CFA-5120 3500x CFast 2.0	512GB

SD 카드

Pocket Cinema Camera 6K 모델을 위한 권장 목록

다음은 Blackmagic Pocket Cinema Camera 6K에서 최대 30fps의 6K 16:9 Blackmagic RAW 5:1 녹화 시 사용이 권장되는 SD 카드 목록입니다.

제조사	카드 모델명	용량
Angelbird	AV PRO SD V90	64GB
Sony	Tough SF-G32T	32GB
Sony	Tough SF-G64T	64GB
Sony	Tough SF-G128T	128GB
Toshiba	Exceria Pro UHS-II 270MB/s SDXC	64GB
Wise	SD2-128U3 SDXC UHS-II	128GB

다음은 Blackmagic Pocket Cinema Camera 6K에서 최대 30fps의 6K 16:9 Blackmagic RAW 8:1 녹화 시 사용이 권장되는 SD 카드 목록입니다.

제조사	카드 모델명	용량
Angelbird	AV PRO SD V90	64GB
Sony	Tough SF-G32T	32GB
Sony	Tough SF-G64T	64GB
Sony	Tough SF-G128T	128GB
Toshiba	Exceria Pro UHS-II 270MB/s SDXC	64GB
Toshiba	Exceria Pro UHS-II 270MB/s SDXC	128GB
Toshiba	Exceria Pro UHS-II N502 SDXC	128GB
Wise	SD2-128U3 SDXC UHS-II	128GB

다음은 Blackmagic Pocket Cinema Camera 6K에서 최대 60fps의 6K 2.4:1 Blackmagic RAW 12:1 녹화 시 사용이 권장되는 SD 카드 목록입니다.

제조사	카드 모델명	용량
Angelbird	AV PRO SD V90	64GB
Sony	Tough SF-G32T	32GB
Sony	Tough SF-G64T	64GB
Sony	Tough SF-G128T	128GB
Toshiba	Exceria Pro UHS-II 270MB/s SDXC	64GB
Toshiba	Exceria Pro UHS-II 270MB/s SDXC	128GB
Toshiba	Exceria Pro UHS-II N502 SDXC	128GB

다음은 Blackmagic Pocket Cinema Camera 6K에서 최대 60fps의 4K DCI ProRes HQ 녹화 시 사용이 권장되는 SD 카드 목록입니다.

제조사	카드 모델명	용량
Angelbird	AV PRO SD V90	64GB
Delkin Devices	Power SDXC USH-II	64GB
Delkin Devices	Prime SDXC USH-II	128GB
ProGrade Digital	V90 UHS-II 250MB/s SDXC	128GB
ProGrade Digital	V90 UHS-II 250MB/s SDXC	256GB
Sony	Tough SF-G32T	32GB
Sony	Tough SF-G64T	64GB
Sony	Tough SF-G128T	128GB
Wise	SD2-64U3 SDXC UHS-II	64GB
Wise	SD2-128U3 SDXC UHS-II	128GB
Toshiba	Exceria Pro UHS-II N502 SDXC	128GB

다음은 Blackmagic Pocket Cinema Camera 6K에서 최대 120fps의 1080 ProRes 422 HQ 녹화 시 사용이 권장되는 SD 카드 목록입니다.

제조사	카드 모델명	용량
Angelbird	AV PRO SD V90	64GB
Delkin Devices	Power SDXC USH-II	64GB
Delkin Devices	Prime SDXC USH-II	128GB
Lexar	Professional 2000x UHS-II 300MB/s SDXC	64GB
Lexar	Professional 2000x UHS-II 300MB/s SDXC	128GB
ProGrade Digital	V90 UHS-II 250MB/s SDXC	256GB
Sony	Tough SF-G32T	32GB
Sony	Tough SF-G64T	64GB

제조사	카드 모델명	용량
Sony	Tough SF-G128T	128GB
Toshiba	Exceria Pro UHS-II 270MB/s SDXC	64GB
Toshiba	Exceria Pro UHS-II 270MB/s SDXC	128GB
Toshiba	Exceria Pro UHS-II N502 SDXC	128GB
Toshiba	Exceria Pro UHS-II N502 SDXC	256GB
Wise	SD2-64U3 SDXC UHS-II	64GB
Wise	SD2-128U3 SDXC UHS-II	128GB

Pocket Cinema Camera 4K 모델을 위한 권장 목록

다음은 Blackmagic Pocket Cinema Camera 4K에서 최대 30fps의 4K DCI Blackmagic RAW 12:1 녹화 시 사용이 권장되는 SD 카드 목록입니다.

제조사	카드 모델명	용량
Angelbird	AV PRO SD V90	64GB
Delkin Devices	Power UHS-II SDXC	64GB
Delkin Devices	Power UHS-II SDXC	128GB
Lexar	Professional 2000x UHS-II 300MB/s SDXC	64GB
ProGrade Digital	V90 UHS-II 250MB/s SDXC	256GB
SanDisk	Extreme Pro UHS-I 95MB/s SDXC	512GB
Sony	Tough SF-G64T	64GB
Sony	Tough SF-G128T	128GB
Sony	SF-G64 300MB/s UHS-II SDXC	64GB
Toshiba	Exceria Pro UHS-II N502 SDHC	32GB
Toshiba	Exceria Pro UHS-II 270MB/s SDXC	64GB
Wise	SD2-64U3 SDXC UHS-II	64GB
Wise	SD2-128U3 SDXC UHS-II	128GB
Wise	SD2-128U3 SDXC UHS-II	128GB

다음은 Blackmagic Pocket Cinema Camera 4K에서 최대 60fps의 4K DCI ProRes HQ 녹화 시 사용이 권장되는 SD 카드 목록입니다.

제조사	카드 모델명	용량
Wise	SD2-64U3 SDXC UHS-II	64GB
Wise	SD2-128U3 SDXC UHS-II	128GB
Sony	Tough SF-G64T	64GB
Sony	Tough SF-G128T	128GB

다음은 Blackmagic Pocket Cinema Camera 4K에서 최대 60fps의 4K DCI 4:1 RAW 녹화 시 사용이 권장되는 SD 카드 목록입니다.

제조사	카드 모델명	용량
Sony	Tough SF-G64T	64GB
Sony	Tough SF-G128T	128GB
Toshiba	Exceria Pro UHS-II N502 SDXC	32GB

다음은 Blackmagic Pocket Cinema Camera 4K에서 최대 24fps의 4K DCI 무손실 RAW 녹화 시 사용이 권장되는 SD 카드 목록입니다.

제조사	카드 모델명	용량
Wise	SD2-64U3 SDXC UHS-II	64GB
Wise	SD2-128U3 SDXC UHS-II	128GB
Toshiba	Exceria Pro UHS-II N502 SDXC	32GB
Sony	Tough SF-G64T	64GB
Sony	Tough SF-G128T	128GB

다음은 Blackmagic Pocket Cinema Camera 4K에서 최대 60fps의 1080p 무손실 RAW 녹화 시 사용이 권장되는 SD 카드 목록입니다.

제조사	카드 모델명	용량
Wise	SD2-64U3 SDXC UHS-II	64GB
Wise	SD2-128U3 SDXC UHS-II	128GB
Sony	Tough SF-G64T	64GB
Sony	Tough SF-G128T	128GB
Toshiba	Exceria Pro UHS-II N502 SDXC	32GB
Toshiba	Exceria Pro UHS-II N502 SDXC	64GB
Toshiba	Exceria Pro UHS-II N502 SDXC	128GB
Toshiba	Exceria Pro UHS-II N502 SDXC	256GB
Sony	Tough SF-G128T	128GB

USB-C SSD

Pocket Cinema Camera 6K 모델을 위한 권장 목록

다음은 Blackmagic Pocket Cinema Camera 6K에서 최대 50fps의 6K Blackmagic RAW 5:1 녹화 시 사용이 권장되는 USB-C 드라이브 목록입니다.

제조사	카드 모델명	용량
Wise	PTS-1024 Portable SSD	1TB

다음은 Blackmagic Pocket Cinema Camera 6K에서 최대 60fps의 6K 2.4:1 Blackmagic RAW 5:1 녹화 시 사용이 권장되는 USB-C 드라이브 목록입니다.

제조사	카드 모델명	용량
Samsung	Portable SSD T5	250GB
Samsung	Portable SSD T5	2TB
Wise	PTS-1024 Portable SSD	1TB

다음은 Blackmagic Pocket Cinema Camera 6K에서 최대 120fps의 2.8K 17:9 Blackmagic RAW 3:1 녹화 시 사용이 권장되는 USB-C 드라이브 목록입니다.

제조사	카드 모델명	용량
Samsung	Portable SSD T5	250GB
Samsung	Portable SSD T5	2TB
Wise	PTS-512 Portable SSD	512GB
Wise	PTS-1024 Portable SSD	1TB

다음은 Blackmagic Pocket Cinema Camera 6K에서 최대 60fps의 4K DCI ProRes HQ 녹화 시 사용이 권장되는 USB-C 드라이브 목록입니다.

제조사	카드 모델명	용량
Samsung	Portable SSD T5	250GB
Samsung	Portable SSD T5	1TB
Samsung	Portable SSD T5	2TB
SanDisk	Extreme Portable SSD	1TB
Wise	PTS-512 Portable SSD	512GB
Wise	PTS-1024 Portable SSD	1TB
Wise	PTS-1024 Portable SSD	1TB

다음은 Blackmagic Pocket Cinema Camera 6K에서 최대 120fps의 1080 ProRes 422 HQ 녹화 시 사용이 권장되는 USB-C 드라이브 목록입니다.

제조사	카드 모델명	용량
Samsung	Portable SSD T5	250GB
Samsung	Portable SSD T5	1TB
Samsung	Portable SSD T5	2TB
SanDisk	Extreme Portable SSD	1TB
Wise	PTS-512 Portable SSD	512GB
Wise	PTS-1024 Portable SSD	1TB
Wise	PTS-1024 Portable SSD	1TB

Pocket Cinema Camera 4K 모델을 위한 권장 목록

다음은 Blackmagic Pocket Cinema Camera 4K에서 최대 60fps의 4K DCI Blackmagic RAW 3:1 녹화 시 사용이 권장되는 USB-C 드라이브 목록입니다.

제조사	카드 모델명	용량
Angelbird	SSD2GO PKT	512GB
Angelbird	SSD2GO PKT	2TB
G-Technology	G-DRIVE Mobile SSD	1TB
Samsung	Portable SSD T5	2TB
Wise	PTS-512 Portable SSD	512GB

다음은 Blackmagic Pocket Cinema Camera 4K에서 최대 60fps의 4K DCI ProRes HQ 녹화 시 사용이 권장되는 USB-C 드라이브 목록입니다.

제조사	카드 모델명	용량
Angelbird	SSD2GO PKT	512GB
Angelbird	SSD2GO PKT	2TB
Glyph	Atom	500GB
Lacie	Portable SSD	500GB
Samsung	Portable SSD T5	500GB
Samsung	Portable SSD T5	1TB
SanDisk	Extreme Portable SSD	1TB
Seagate	Fast SSD	250GB
Wise	PTS-256 Portable SSD	256GB
Wise	PTS-512 Portable SSD	512GB
Wise	PTS-1024 Portable SSD	1TB

다음은 Blackmagic Pocket Cinema Camera 4K에서 최대 30fps의 4K DCI 무손실 RAW 녹화 시 사용이 권장되는 USB-C 드라이브 목록입니다.

제조사	카드 모델명	용량
Angelbird	SSD2GO PKT	512GB
Angelbird	SSD2GO PKT	2TB
Samsung	Portable SSD T5	1TB
Wise	PTS-256 Portable SSD	256GB
Wise	PTS-512 Portable SSD	512GB
Wise	PTS-1024 Portable SSD	1TB

다음은 Blackmagic Pocket Cinema Camera 4K에서 최대 60fps의 4K DCI 3:1 RAW 녹화 시 사용이 권장되는 USB-C 드라이브 목록입니다.

제조사	카드 모델명	용량
Angelbird	SSD2GO PKT	512GB
Angelbird	SSD2GO PKT	2TB
Samsung	Portable SSD T5	500GB
Samsung	Portable SSD T5	1TB
Wise	PTS-256 Portable SSD	256GB
Wise	PTS-512 Portable SSD	512GB
Wise	PTS-1024 Portable SSD	1TB

도움말

가장 빠르게 지원 받을 수 있는 방법은 Blackmagic Design 온라인 고객지원 페이지에 접속하여 카메라 관련 최신 지원 정보를 확인하는 것입니다.

Blackmagic Design 온라인 고객 지원 페이지

최신 사용 설명서와 소프트웨어, 지원 노트는 Blackmagic 고객 지원 센터 (www.blackmagicdesign.com/kr/support)에서 확인하실 수 있습니다.

Blackmagic Design 고객 지원에 문의하기

고객 지원 쪽에서 원하는 정보를 얻지 못한 경우에는 [이메일 보내기] 버튼을 클릭하여 지원 요청 이메일을 보내주세요. 다른 방법으로는 고객지원 쪽의 [지역별 고객 지원팀 찾기] 버튼을 클릭하여 가장 가까운 Blackmagic Design 고객지원 사무실에 문의하세요.

현재 설치된 소프트웨어 버전 확인하기

컴퓨터에 설치된 Blackmagic Camera Setup 유틸리티의 소프트웨어 버전을 확인하려면 [About Blackmagic Camera Setup] 창을 엽니다.

- Mac OS에서는 애플리케이션 폴더에 있는 Blackmagic Camera Setup을 실행합니다. 애플리케이션 메뉴에서 About Blackmagic Camera Setup을 선택하면 버전 번호가 나타납니다.
- Windows에서는 시작 메뉴 또는 시작 스크린에서 Blackmagic Camera Setup을 실행합니다. 도움말 메뉴를 클릭한 뒤 About Blackmagic Camera Setup을 선택하고 버전을 확인하십시오.

최신 버전 소프트웨어로 업데이트하기

컴퓨터에 설치된 Blackmagic Camera Utility 소프트웨어 버전을 확인한 뒤, Blackmagic 고객 지원 센터 (www.blackmagicdesign.com/kr/support)를 방문하여 최신 업데이트를 확인하세요. 최신 버전으로 업데이트하는 것을 권장하지만, 중요한 프로젝트를 실행하는 도중에는 소프트웨어 업데이트를 하지 않는 것이 좋습니다.

규제 사항

유럽 연합 국가 내의 전기전자제품 폐기물 처리 기준.



제품에 부착된 기호는 해당 제품을 다른 폐기물과는 별도로 처리되어야 함을 나타냅니다. 제품을 폐기하려면 반드시 재활용 지정 수거 장소에 폐기해야 합니다. 폐기물 제품을 분리수거 및 재활용으로 처리하는 것은 자연 자원을 보전하고 인간의 건강과 환경을 보호할 수 있도록 폐기물을 재활용할 수 있는 방법입니다. 재활용을 위한 제품 폐기물 장소에 관한 자세한 정보는 해당 지역 시청의 재활용 센터 혹은 해당 제품을 구입한 상점으로 문의하십시오.

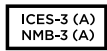


본 제품은 테스트 결과 FCC 규정 제15항에 따라 A급 디지털 기기 제한 사항을 준수하는 것으로 확인되었습니다. 해당 제한 사항은 본 제품을 상업적 환경에서 사용할 시 발생할 수 있는 유해 혼선으로부터 적절한 보호를 제공하기 위함입니다. 이 제품은 무선 주파수를 생성 및 사용, 방출할 수 있습니다. 따라서 설명서의 안내에 따라 제품을 설치 및 사용하지 않을 시, 무선 통신을 방해하는 전파 혼선을 일으킬 수 있습니다. 해당 제품을 주거 지역에서 사용할 경우 유해 전파 혼선이 발생할 가능성이 있으며, 이 경우 사용자는 자체 비용으로 전파 혼선 문제를 해결해야 합니다.

제품 작동은 다음 두 가지 조건을 전제로 합니다.

- 1 본 기기는 유해 혼신을 일으키지 않습니다.
- 2 본 기기는 원치 않는 작동을 일으킬 수 있는 혼신을 포함하여 모든 혼신을 수용합니다.

ISED 캐나다 성명



본 기기는 캐나다 표준 A급 디지털 장치 규정을 준수합니다.

정해진 사용 목적 이외의 다른 목적의 사용 또는 제품 변경은 표준 규정 위반으로 간주할 수 있습니다.

HDMI 인터페이스 연결 시에는 반드시 고품질의 실드 HDMI 케이블을 사용해야 합니다.

이 기기는 업무용 환경에서 사용할 목적으로 적합성 평가를 받은 기기로서 가정용 환경에서 사용하는 경우 전파간섭의 우려가 있습니다.

Bluetooth®

이 제품은 블루투스 무선 기술이 적용된 제품입니다.

송신 모듈 FCC ID는 QOQBGM113입니다.

본 제품은 통제가 불가능한 환경을 위해 설정된 FCC 방사선 피폭 허용 기준을 준수합니다.

송신 모듈 FCC IC는 5123A-BGM113입니다.

본 제품은 인증서가 필요 없는 캐나다 산업성의 RSS 표준 및 RSS-102 Issue 5에 명시된 통상 전자파 흡수율(SAR) 평가 제한 사항을 준수합니다.

일본 규정에 맞게 인증되었으며 인증 번호는 209-J00204입니다. 본 제품에는 일본 내 무선법 기술기준 적합성 인증을 획득한 특정 무선 장치가 탑재되어 있습니다.

해당 모듈은 한국 규정에 맞게 인증되었으며 KC 인증 번호는 MSIP-CRM-BGT-BGM113입니다.

Blackmagic Design은 2.4 GHz ISM 대역의 광대역 전송 시스템을 사용하는 본 제품이 유럽 무선 기기 지침인 Directive 2014/53/EU를 준수한다는 사실을 증명합니다.

EU 제조자인증 전문은 compliance@blackmagicdesign.com에서 확인할 수 있습니다.

안전 정보

Blackmagic Pocket Cinema Camera는 주위 온도가 최대 40°C인 열대 지역에서 사용하기 적합합니다.

제품 내부에는 사용자가 수리 가능한 부품이 없습니다. 제품 수리는 해당 지역 Blackmagic Design 서비스 센터에 문의하세요.

일광 조건에서는 카메라나 리튬 배터리가 햇빛에 장시간 노출되지 않도록 그늘에 보관하세요. 리튬 배터리에 열기가 닿지 않도록 주의하세요.



제품과 함께 제공된 전원 어댑터를 사용할 경우 최대 작동 고도가 해수면 기준 2000m라는 사실을 기억하세요.

캘리포니아주 성명

본 제품을 사용하는 사용자는 제품의 플라스틱 내 폴리브롬화 비페닐에 노출될 수 있으며 캘리포니아주에서는 해당 물질이 암, 선천적 결손증, 기타 생식기능의 손상을 유발하는 것으로 알려져 있습니다.

더욱 자세한 정보는 www.P65Warnings.ca.gov을 확인하세요.

보증

한정 보증

Blackmagic Design은 본 제품의 부품 및 제조에 어떠한 결함도 없음을 제품 구매일로부터 12개월 동안 보증합니다. 보증 기간 내에 결함이 발견될 경우, Blackmagic Design은 당사의 결정에 따라 무상 수리 또는 새로운 제품으로 교환해드립니다.

구매 고객은 반드시 보증 기간이 만료되기 전에 결함 사실을 Blackmagic Design에 통지해야 적절한 보증 서비스를 제공받을 수 있습니다. 구매 고객은 지정된 Blackmagic Design 서비스 센터로 결함 제품을 포장 및 운송할 책임이 있으며, 운송 비용은 선불로 지급되어야 합니다. 구매 고객은 또한 이유를 불문하고 제품 반송에 대한 운송료, 보험, 관세, 세금, 기타 비용을 부담해야 합니다.

이 보증은 부적절한 사용, 관리 및 취급으로 인한 파손, 고장, 결함에는 적용되지 않습니다. Blackmagic Design은 다음과 같은 경우에 보증 서비스를 제공할 의무가 없습니다. a) Blackmagic Design 판매 대리인이 아닌 개인에 의해 발생한 제품 손상. b) 부적절한 사용 및 호환하지 않는 장비와의 연결로 인한 제품 손상. c) Blackmagic Design사의 부품 및 공급품이 아닌 것을 사용하여 발생한 손상 및 고장. d) 제품을 개조하거나 다른 제품과 통합하여 제품 작동 시간 증가 및 기능 저하가 발생한 경우.

BLACKMAGIC DESIGN에서 제공하는 제품 보증은 다른 모든 명시적 또는 묵시적 보증을 대신합니다. BLACKMAGIC DESIGN사와 관련 판매 회사는 상품성 및 특정 목적의 적합성과 관련된 모든 묵시적 보증을 부인합니다. BLACKMAGIC DESIGN은 제품 보증 기간 동안 구매 고객에게 제공되는 BLACKMAGIC DESIGN의 결함 제품 수리 및 교환 관련 책임을 지고 있습니다. BLACKMAGIC DESIGN은 자사 또는 판매 회사에서 관련 위험의 가능성에 대한 사전 통보의 여부와 관계없이 모든 간접적, 특별, 우발적, 결과적 손해에 대해 책임지지 않습니다. BLACKMAGIC DESIGN은 장비의 불법적 사용과 관련하여 어떤 법적 책임도 지지 않습니다. BLACKMAGIC은 본 제품의 사용으로 인해 발생하는 손해에 대해서는 어떤 법적 책임도 지지 않습니다. 제품 사용으로 인해 발생할 수 있는 위험에 대한 책임은 본인에게 있습니다.

© Copyright 2019 Blackmagic Design. 모든 저작권은 Blackmagic Design에게 있습니다. 'Blackmagic Design', 'URSA', 'DeckLink', 'HDLink', 'Workgroup Videohub', 'Multibridge Pro', 'Multibridge Extreme', 'Intensity', 'Leading the creative video revolution'은 모두 미국 및 기타 국가에 등록된 상표입니다. 모든 다른 회사명 및 제품 이름은 관련 회사의 등록 상표일 수 있습니다.

Bluetooth® 워드마크와 로고는 Bluetooth SIG, Inc. 소유의 등록상표이며, Blackmagic Design은 허가에 따라 이 상표를 사용합니다. 다른 등록상표 및 상품명은 해당 업체에서 소유하는 자산입니다.



Руководство по установке и эксплуатации **Blackmagic** **Pocket Cinema Camera**

Модели Blackmagic Pocket Cinema Camera 6K
и Blackmagic Pocket Cinema Camera 4K

Ноябрь 2019 г.

Русский



Уважаемый пользователь!

Благодарим вас за покупку Blackmagic Pocket Cinema Camera.

Оригинальная модель Blackmagic Pocket Cinema Camera, которая была выпущена в 2013 г., имела компактные размеры, широкий динамический диапазон и позволяла получать изображение превосходного качества. На основе отзывов и пожеланий пользователей в 2018 г. мы создали Blackmagic Pocket Cinema Camera 4K, а в этом году представляем новинку Blackmagic Pocket Cinema Camera 6K.

Blackmagic Pocket Cinema Camera 6K имеет сенсор Super 35 и байонет EF. Модель Blackmagic Pocket Cinema Camera 4K сохранила крепление MFT, что дает возможность использовать имеющуюся в наличии оптику. Blackmagic Pocket Cinema Camera 4K обеспечивает запись в 4K с частотой до 60 кадров/с и в HD до 120 fps на карты CFast или SD/UHS-II. У Blackmagic Pocket Cinema Camera 6K эти показатели еще лучше — запись в 2.8K с частотой до 120 fps, а в 6K до 60 кадров/с. Порт USB-C позволяет сохранять материал на внешние накопители, при подключении которых к компьютеру видео мгновенно доступно для постобработки.

Два базовых значения ISO и 13 ступеней динамического диапазона обеспечивают качественную запись материала кинематографического уровня при различных условиях освещения. Интегрированный 5-дюймовый сенсорный ЖК-дисплей дает возможность контролировать фокусировку и детализацию изображения даже в яркую солнечную погоду, а четыре встроенных микрофона служат для сохранения звука вместе с видео.

Корпус камеры выполнен из композитного материала, поэтому он не только прочный, но и легкий, что позволяет оператору оставаться исключительно мобильным. Для питания используются стандартные съемные батареи LP-E6, сеть переменного тока через адаптер или внешний источник 12 В. Кроме того, камера поддерживает наш новый кодек Blackmagic RAW, который обеспечивает сохранение материала одним файлом, увеличение скорости обработки и уменьшение размера занимаемого на накопителе места.

Надеемся, что с помощью линейки Blackmagic Pocket Cinema Camera вы сможете полностью раскрыть свой творческий потенциал, и будем очень рады любым отзывам, чтобы сделать эти модели еще лучше за счет добавления новых полезных функций!

Грант Петти

Генеральный директор Blackmagic Design

Содержание

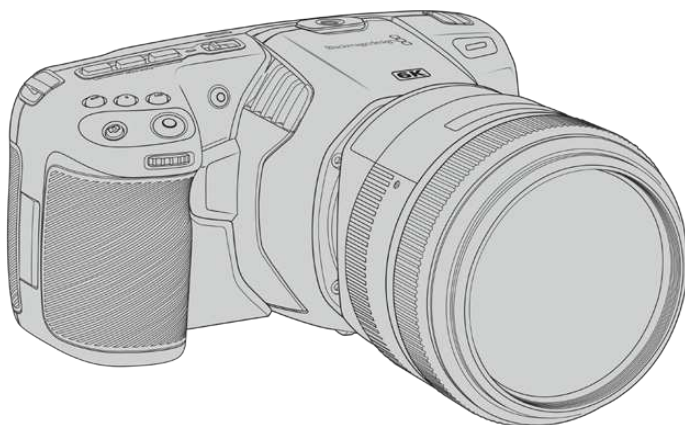
Blackmagic Pocket Cinema Camera

Разница между двумя моделями	1009	Предустановки	1086
Подготовка к работе	1010	3D LUT-таблицы	1088
Установка объектива	1010	Ввод метаданных	1091
Включение камеры	1011	Табличка данных	1091
Пользование рукояткой		Выходной сигнал камеры	1096
Blackmagic Pocket Camera Battery Grip	1011	Работа с DaVinci Resolve	1097
Питание камеры с помощью прилагаемого кабеля	1013	Менеджер проектов	1097
Работа с накопителями	1014	Монтаж на странице «Сборка»	1098
Карты CFast	1014	Добавление клипов на временную шкалу	1101
Карты SD	1015	Редактирование клипов на временной шкале	1102
Флеш-накопители USB-C	1017	Добавление титров	1102
Подготовка носителя к записи	1019	Работа с файлами Blackmagic RAW	1103
Подготовка накопителя на Blackmagic Pocket Cinema Camera	1019	Цветокоррекция клипов на стр. «Цвет»	1106
Подготовка накопителя на Mac	1021	Добавление Power-зоны	1109
Подготовка накопителя на Windows	1022	Использование плагинов	1111
Запись	1023	Микширование звука	1112
Запись клипов	1023	Добавление визуальных эффектов и композитинг на стр. Fusion	1116
Blackmagic RAW	1024	Создание мастер-копий	1125
Запись в Blackmagic RAW	1025	Быстрый экспорт	1125
Максимальная кадровая частота сенсора	1027	Страница «Экспорт»	1126
Продолжительность записи	1029	Работа с программным обеспечением других производителей	1127
Воспроизведение	1034	Работа с файлами, записанными на карты CFast 2.0 и SD	1127
Функции камеры	1035	Работа с файлами, записанными на флеш-накопитель USB-C	1127
Передняя панель камеры	1035	Работа с Final Cut Pro X	1128
Правая сторона	1036	Работа с Avid Media Composer 2018	1128
Левая сторона	1036	Работа с Adobe Premiere Pro CC	1129
Верхняя панель	1038	Blackmagic Camera Setup Utility	1130
Нижняя панель	1039	Рекомендуемые накопители	1131
Задняя панель	1040	Карты CFast 2.0	1131
Органы управления с сенсорного экрана	1041	Карты SD	1137
Настройки	1062	SSD-накопители USB-C	1140
Панель инструментов	1062	Помощь	1144
Настройки записи	1062	Соблюдение нормативных требований	1145
Присвоение имен файлам	1067	Правила безопасности	1146
Настройки мониторинга	1068	Гарантия	1147
Настройки звука	1074		
Основные настройки	1077		

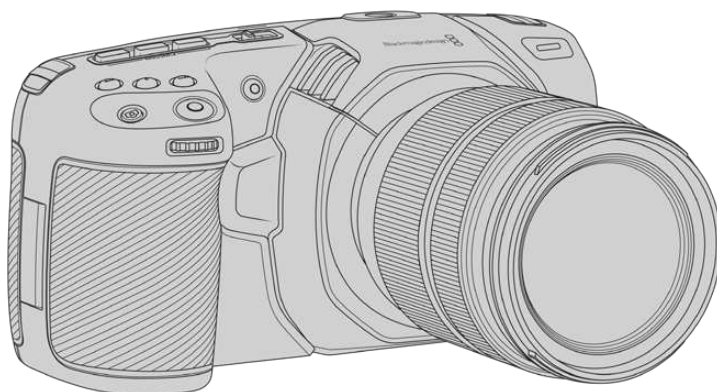
Разница между двумя моделями

Blackmagic Pocket Cinema Camera 6K и Blackmagic Pocket Cinema Camera 4K внешне очень похожи, так как у них одинаковый корпус. Обе модели позволяют получать превосходные изображения с широким динамическим диапазоном. Расположение кнопок и меню ПО не изменилось, так же как и управление камерой.

Blackmagic Pocket Cinema Camera 6K имеет сенсор Super 35 и байонет EF, а над креплением объектива находится значок 6K. Модель Blackmagic Pocket Cinema Camera 4K оснащена сенсором под оптику с MFT-креплением и таким же байонетом.



Blackmagic Pocket Cinema Camera 6K



Blackmagic Pocket Cinema Camera 4K

Подготовка к работе

Blackmagic Pocket Cinema Camera — компактная цифровая кинокамера, которая позволяет записывать видео на карты CFast 2.0 и SD UHS-I/UHS-II, а также на SSD-накопители через порт USB-C.

Для сохранения материала можно использовать кодеки профессионального назначения, в том числе ProRes и Blackmagic RAW.

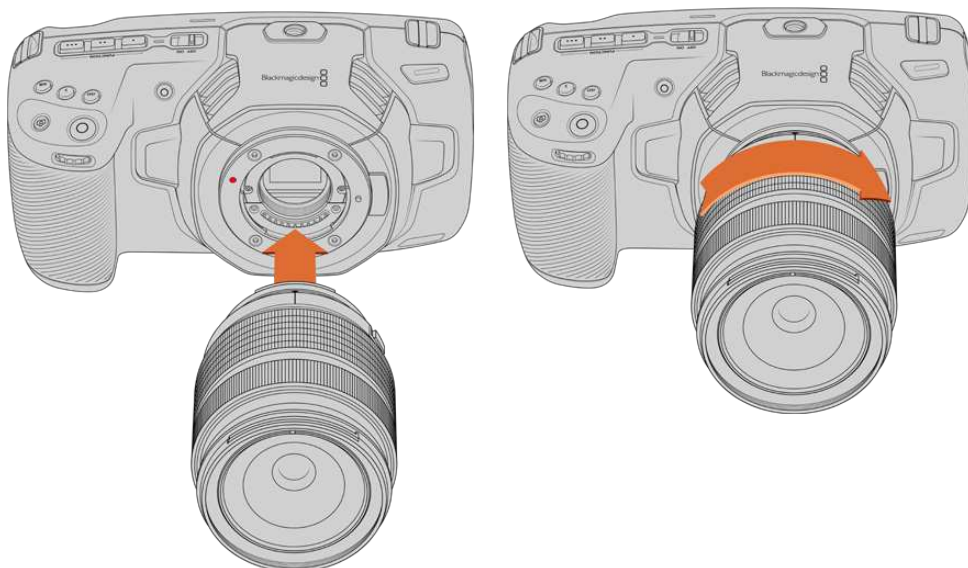
Чтобы начать работу с Blackmagic Pocket Cinema Camera, достаточно установить объектив, а затем включить питание.

Установка объектива

Blackmagic Pocket Cinema Camera 6K имеет байонет EF, а Blackmagic Pocket Cinema Camera 4K — MFT. Объективы с такими байонетами доступны по цене и широко используются для съемки. Процесс установки объектива на Blackmagic Pocket Cinema Camera 6K и Pocket Cinema Camera 4K одинаков. Сначала нужно снять пылезащитную крышку. Для этого нажмите фиксирующую кнопку и поверните крышку против часовой стрелки.

Порядок установки объектива с байонетом EF или MFT

- 1 Совместите метку на объективе с меткой на байонете. Многие объективы имеют указатель в виде синей, красной или белой метки.
- 2 Прижмите объектив к камере и поверните его по часовой стрелке до конца.
- 3 Чтобы снять объектив, нажмите фиксирующую кнопку, поверните объектив против часовой стрелки до перехода метки в положение «10 часов» на MFT-креплении или «12 часов» на EF-креплении, а затем осторожно извлеките объектив.



Установка объектива с MFT-креплением на Blackmagic Pocket Cinema Camera 4K

ПРИМЕЧАНИЕ. Когда камера хранится без объектива, стеклянный фильтр сенсора подвергается загрязнению, поэтому рекомендуется всегда использовать пылезащитную крышку.

Включение камеры

После установки объектива необходимо предусмотреть подачу питания. Для этого используются стандартная съемная батарея LP-E6, рукоятка Blackmagic Pocket Camera Battery Grip с двумя аккумуляторами NP-F570 или адаптер для подключения к внешнему источнику.

Установка батареи и включение камеры

В камере используются стандартные съемные батареи LP-E6. Одна такая батарея входит в комплект поставки. При необходимости ее можно приобрести у дилеров компании Blackmagic Design или в специализированном магазине видео- и фототехники.

- 1 Откройте крышку аккумуляторного отсека на нижней панели камеры.
- 2 Возьмите батарею таким образом, чтобы ее контакты были обращены к выводу внутри отсека, и вставьте до защелки фиксатора.

СОВЕТ. Чтобы извлечь батарею, нажмите на фиксатор по направлению к передней панели камеры и достаньте ее из отсека.

- 3 Закройте крышку аккумуляторного отсека и осторожно надавите на нее до характерного щелчка.
- 4 Чтобы включить камеру, установите расположенный наверху тумблер в положение ON (Вкл.). Для отключения камеры верните тумблер в положение OFF (Выкл.).

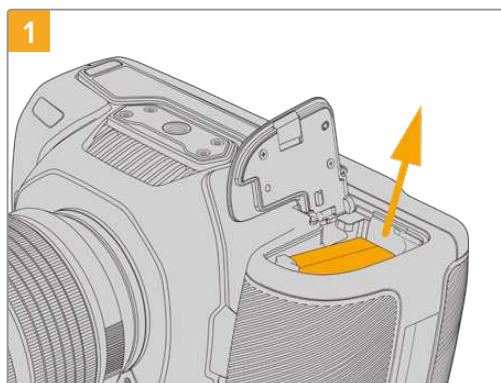
Пользование рукояткой Blackmagic Pocket Camera Battery Grip

Если у вас есть рукоятка Blackmagic Pocket Camera Battery Grip, установите ее на камеру перед началом работы. Данное устройство предназначено как для модели Pocket Cinema Camera 6K, так и Pocket Cinema Camera 4K.

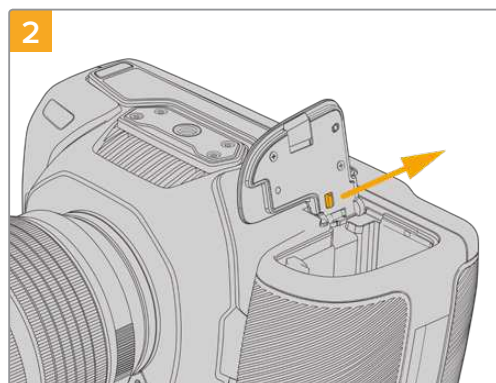
Рукоятка представляет собой горизонтальный лоток, вмещающий две батареи NP-F570 серии L, которые позволяют непрерывно вести съемку в течение более двух часов. Через имеющийся разъем 12 В переменного тока можно выполнять подзарядку батарей или обеспечивать камеру электроэнергией во время их замены. Порт USB-C также используется для подзарядки аккумуляторов, когда камера выключена.

Порядок подсоединения рукоятки Blackmagic Pocket Camera Battery Grip

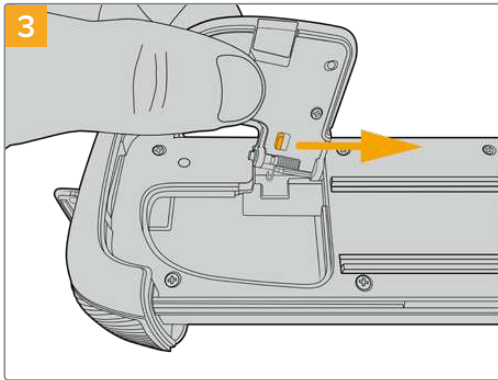
Прежде чем подсоединять рукоятку Blackmagic Pocket Camera Battery Grip, выключите камеру и отключите ее от источника питания.



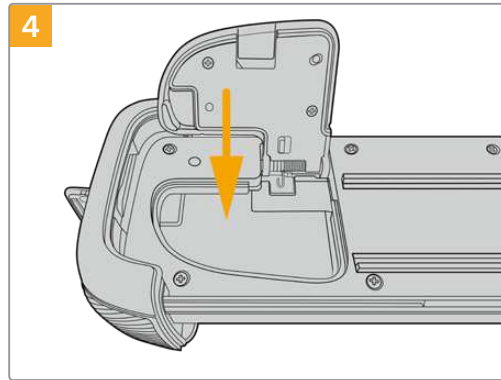
Откройте батарейный отсек и извлеките аккумулятор LP-E6.



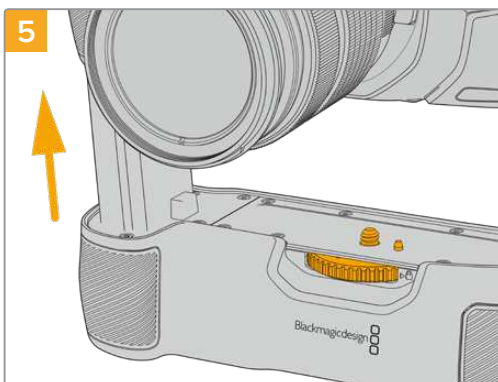
Сдвиньте выступ возле крепления крышки и снимите ее с камеры.



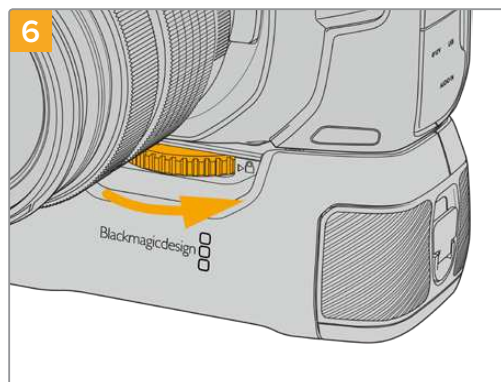
Чтобы не потерять крышку батарейного отсека, вставьте ее в фиксатор выемки на нижней стороне лотка.



Опустите крышку в выемку, чтобы она не выступала за поверхность на нижней стороне лотка.

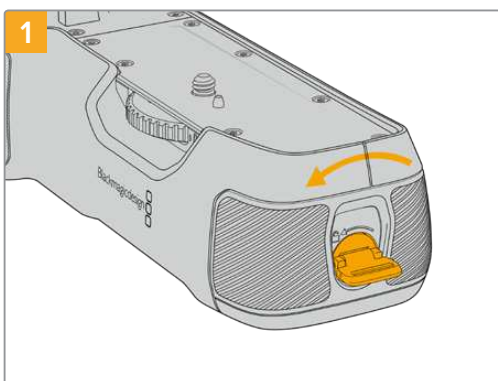


Вставьте выступ рукоятки, имеющий форму батареи, в батарейный отсек камеры. Совместите 1/4-дюймовый винт сверху рукоятки с крепежным отверстием в основании камеры. Для облегчения этой операции рядом с винтом предусмотрен небольшой штырек.

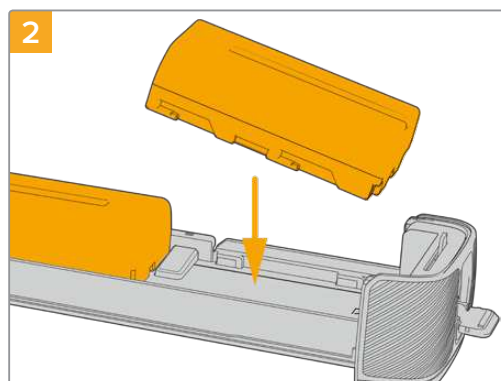


Поворачивая вправо колесико на передней стороне рукоятки, притяните ее к камере.

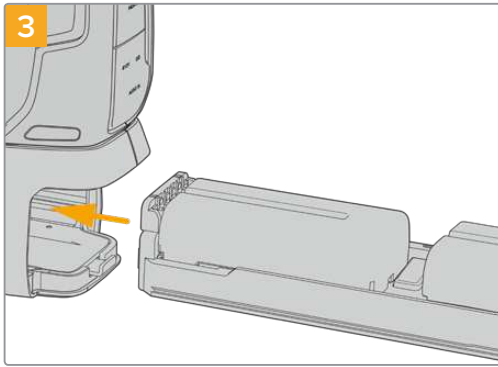
Порядок установки батарей в рукоятку Blackmagic Pocket Camera Battery Grip



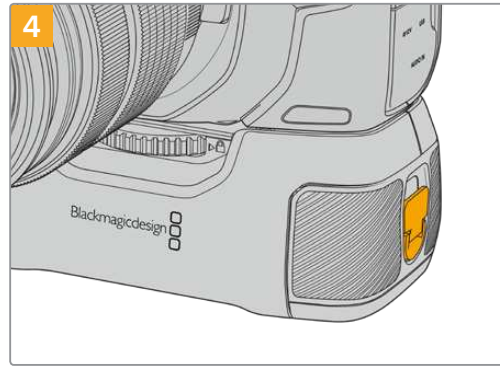
Поверните фиксатор сбоку рукоятки против часовой стрелки, чтобы разблокировать и вынуть батарейный лоток. Это можно сделать как до, так и после прикрепления рукоятки Blackmagic Pocket Battery Grip к камере.



Поместите в лоток две батареи NP-F570, внимательно следя за правильностью установки и наличием между ними зазора. Снизу выдвинется фиксатор и закрепит их в нужном положении. Чтобы извлечь батареи, нажмите на фиксатор и подвиньте их друг к другу.



Вставьте батарейный лоток в рукоятку и поверните фиксатор по часовой стрелке. Замену батарей в рукоятке можно выполнять непосредственно во время съемки, если камера подключена ко внешнему источнику постоянного тока.



Поверните фиксатор сбоку рукоятки по часовой стрелке, чтобы заблокировать батарейный лоток.

СОВЕТ. При использовании рукоятки Blackmagic Pocket Camera Battery Grip с двумя батареями в правом верхнем углу сенсорного ЖК-экрана отображаются два индикатора зарядки батарей, которые позволяют следить за уровнем каждой из них. Подробнее см. раздел «Питание».

Питание камеры с помощью прилагаемого кабеля

Если рукоятка Blackmagic Pocket Camera Battery Grip присоединена к камере, поставляемый с ней адаптер 100-240 В позволяет одновременно вести съемку и заряжать установленный аккумулятор LP-E6 или две батареи NP-F570, а прилагаемый кабель снабжен защитой от случайного отсоединения.

Подключение внешнего источника питания

- 1 Вставьте вилку адаптера 12 В в сетевую розетку.
- 2 Откройте защитную резиновую накладку с левой стороны камеры и поверните подключаемый кабель с фиксатором так, чтобы он совпадал с выемкой, расположенной сверху разъема. Осторожно вставьте кабель в разъем до характерного щелчка.
- 3 Чтобы извлечь кабель, потяните его основание на себя и отсоедините от камеры.

При одновременном подключении внешнего источника питания и аккумуляторной батареи используется только внешний источник. Если его отключить, при наличии установленной и полностью заряженной батареи камера сразу перейдет на питание от аккумулятора.

Батарею отключенной камеры можно также заряжать через USB-кабель, в том числе с помощью портативного устройства. Blackmagic Pocket Cinema Camera дает возможность использовать сетевое зарядное USB-устройство мощностью 10 Вт, а также поддерживает работу с USB PD. Последние обычно снабжены интерфейсом USB-C с выходом напряжением до 20 В для ускорения зарядки подключенной к нему техники. Зарядка аккумулятора LP-E через адаптер 12 В возможна как при включенной, так и отключенной камере.

СОВЕТ. Подключение к источнику питания разогретого аккумулятора сразу после его использования увеличивает продолжительность зарядки. Рекомендуется подождать 15 минут, чтобы батарея остыла до температуры ниже 45° С.

Теперь можно установить накопитель и начать запись.

Работа с накопителями

Для записи видео на Blackmagic Pocket Cinema Camera можно использовать обычные карты SD, а также высокоскоростные версии UHS-II и CFast 2.0.

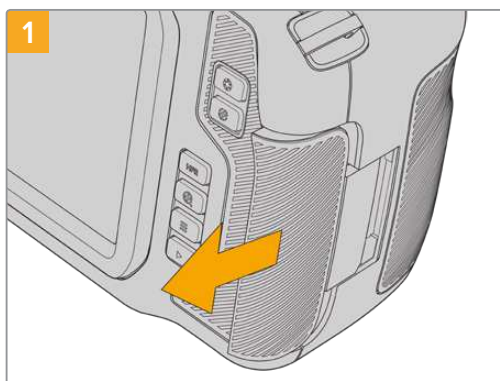
Кроме того, предусмотрено прямое сохранение на обладающий большей емкостью внешний флеш-накопитель USB-C через порт расширения USB-C.

Карты CFast

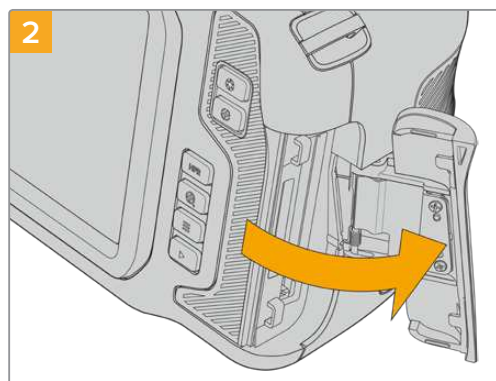
Накопители CFast 2.0 позволяют уместить большой объем данных, поэтому они идеально подходят для записи в 6K, 4K и HD. Более подробно о максимальной кадровой частоте для каждого формата см. таблицы продолжительности в разделе «Запись».

ПРИМЕЧАНИЕ. Максимальная емкость, а также скорость записи и воспроизведения для карт CFast 2.0 может варьироваться в зависимости от модели. При выборе носителя используйте только карты, рекомендуемые компанией Blackmagic Design.

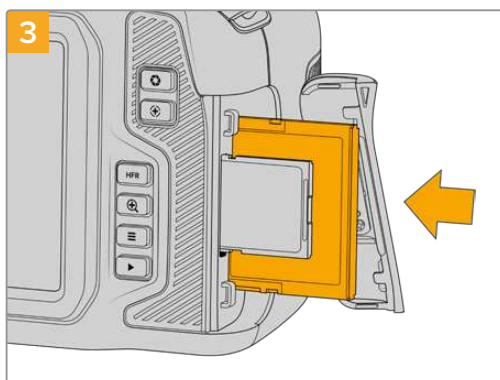
Порядок установки карты CFast



Чтобы получить доступ к слотам накопителей, сдвиньте правую крышку по направлению к тыльной стороне камеры.



Подпружиненная крышка поднимется, открыв доступ к слотам карт SD и CFast.

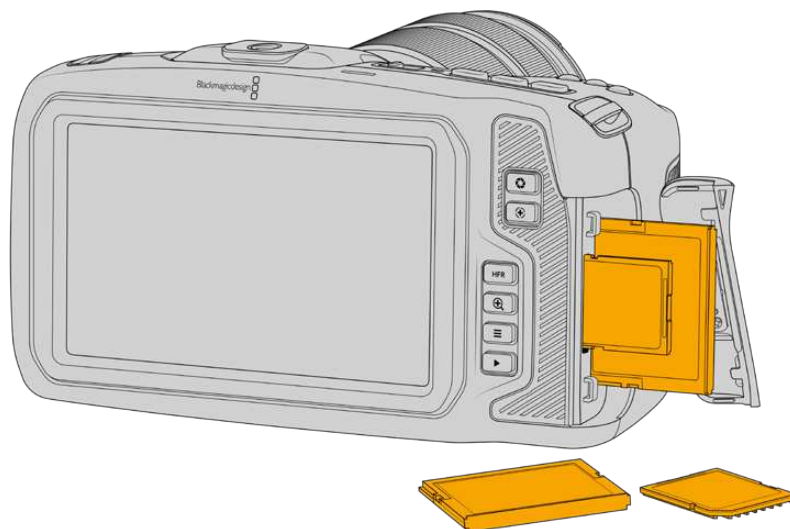


Вставьте карту CFast в слот до конца. Она должна свободно войти внутрь без приложения излишней силы. Для извлечения накопителя осторожно нажмите на карту CFast и отпустите, чтобы она вышла из отсека.



В нижней части ЖК-дисплея будет выводиться имя обнаруженной карты CFast и оставшееся время записи.

Порядок установки карт SD и CFast одинаков. Подробнее см. раздел «Порядок установки карты SD».



Выбор карты CFast 2.0

При работе с видео, которое требует передачи большого объема данных, важно правильно подобрать карту CFast. Носители отличаются по скорости записи и считывания данных.

Список карт CFast 2.0, протестированных компанией Blackmagic Design для записи на камеры линейки Pocket Cinema, приведен в разделе «Рекомендуемые накопители».

Рекомендуем обращаться к страницам поддержки на сайте Blackmagic Design www.blackmagicdesign.com/ru/support и проверять последнюю информацию о поддерживаемых картах CFast.

Карты SD

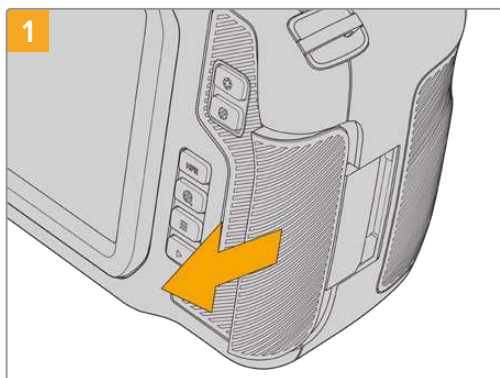
Дополнительно к картам CFast 2.0 камера поддерживает работу с высокоскоростными картами SD UHS-I и UHS-II. Накопители UHS-I подходят для сохранения HD-видео со сжатием, в то время как UHS-II — для записи в Blackmagic RAW, а также Ultra HD-материала в ProRes.

HD-видео можно сохранять на более доступные карты SD.

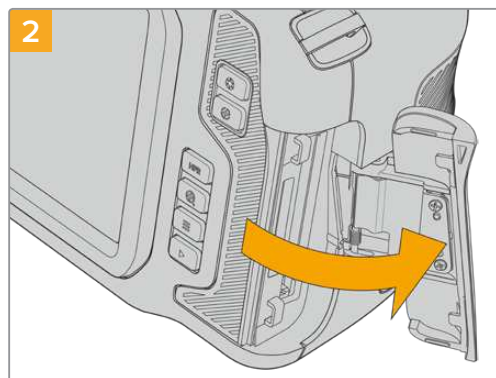
SDXC и SDHC — наиболее распространенные типы накопителей для бытовых фото- и видеокамер. Если вы вели съемку на DSLR, Blackmagic Micro Cinema Camera, Pocket Cinema Camera или использовали монитор-рекордер Blackmagic Video Assist, то уже работали с картами SD.

Применять такие носители особенно удобно в проектах, не требующих создания файлов с самым высоким разрешением, или при продолжительной записи. Обладающие меньшей емкостью и более низкой скоростью карты SD подходят для хранения LUT-таблиц и конфигураций параметров.

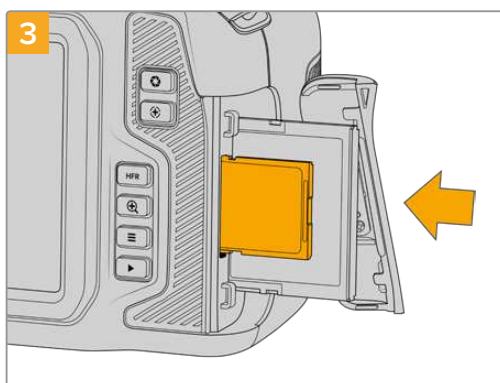
Порядок установки карты SD



1 Чтобы получить доступ к слотам накопителей, сдвиньте правую крышку по направлению к тыльной стороне камеры.



2 Подпружиненная крышка поднимется, открыв доступ к слотам карт памяти.



3 Возьмите карту SD таким образом, чтобы ее наклейка была обращена в сторону сенсорного экрана, и вставьте в слот до конца. Она должна свободно войти внутрь без приложения излишней силы. Для извлечения накопителя осторожно нажмите на карту SD и отпустите, чтобы она вышла из отсека.



4 В нижней части ЖК-дисплея появится имя обнаруженной карты SD и оставшееся время записи.

Выбор карты SD

Материал в 6K, 4K DCI или Ultra HD рекомендуется сохранять на наиболее скоростные карты SD/UHS-II. Для записи в 6K, 4K DCI, Ultra HD и HD необходимо использовать карты SD UHS-II, а для сохранения только в HD подойдут карты UHS-I. Эти накопители обеспечивают высокую скорость передачи и хранение большого объема данных.

Перед использованием карты ее необходимо отформатировать под файловую систему HFS+ или exFAT. Проще всего это сделать с помощью настроек сохранения. Подробнее см. раздел «Настройки».

Карты памяти можно также отформатировать на компьютере с операционной системой Mac или Windows. В первом случае используется файловая система HFS+ (также известная как OS X Extended), во втором — exFAT, при этом последний формат также поддерживается на macOS.

Список карт SD, протестированных компанией Blackmagic Design для записи на камеры линейки Pocket Cinema, приведен в разделе «Рекомендуемые накопители».

Рекомендуем обращаться к страницам поддержки на сайте Blackmagic Design www.blackmagicdesign.com/ru/support и проверять последнюю информацию о поддерживаемых картах SD.

ПРИМЕЧАНИЕ. При записи материала с высокими разрешением и кадровой частотой рекомендуется использовать карты CFast 2.0 или внешние флеш-накопители USB-C, которые имеют хорошие скоростные характеристики и позволяют уместить большой объем данных.

Защита карт SD

Карты SD имеют защиту от записи. Для ее отключения передвиньте фиксатор блокировки на боковой стороне накопителя в положение рядом с контактами. По окончании работы защиту можно снова включить.



Чтобы установить или снять защиту от записи, передвиньте переключатель блокировки вниз или вверх

Если карта защищена от записи, после ее установки в слот на дисплее камеры вместо продолжительности записи появится текст «Заблок.», а в меню накопителя напротив имени карты будет отображаться значок замка. Чтобы выполнить сохранение, экспорт LUT-таблиц и конфигурации параметров, необходимо снять блокировку.

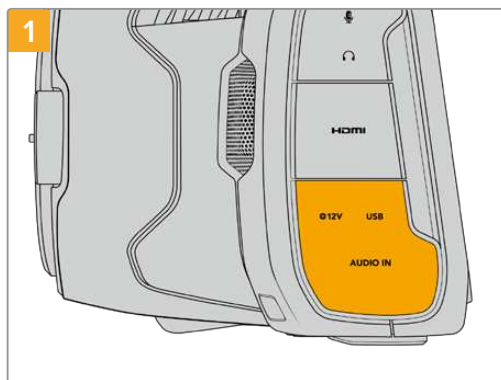


Флеш-накопители USB-C

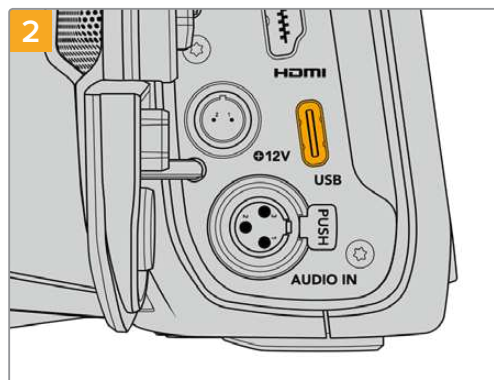
Blackmagic Pocket Cinema Camera имеет высокоскоростной порт расширения USB-C, который позволяет вести сохранение видео напрямую на флеш-накопители USB-C. Эти носители имеют большую емкость и обеспечивают запись в течение долгого времени, что очень важно во время работы на длительных массовых мероприятиях.

По окончании записи накопители можно подключить напрямую к компьютеру для выполнения монтажа и постобработки без копирования материала.

Порядок подключения флеш-накопителя USB-C



С левой стороны камеры откройте защитную резиновую накладку и соедините другой конец кабеля с портом USB-C.



Соедините один конец USB-кабеля типа C с флеш-накопителем.

ПРИМЕЧАНИЕ. Когда флеш-накопитель USB-C соединен с камерой, в операционной системе он отображается вместо карты SD, поэтому ее слот становится недоступен.

Чтобы использовать слот карты SD, необходимо отсоединить флеш-накопитель от камеры.

Выбор скоростного флеш-накопителя USB-C

Флеш-накопители USB-C можно приобрести во многих магазинах бытовой электроники. Они предназначены для работы с широким рядом устройств. Так как кинопроизводство — только одна из сфер применения подобных накопителей, важно правильно подобрать их при записи материала в 6K или 4K.

Многие флеш-накопители служат для бытового использования, и их скорость недостаточна для записи 6K- и 4K-видео.

Список флеш-дисков USB-C, протестированных компанией Blackmagic Design для записи на камеру линейки Pocket Cinema, приведен в разделе «Рекомендуемые накопители».

В разделе поддержки на сайте Blackmagic Design www.blackmagicdesign.com/ru/support есть последняя информация по таким накопителям.

Скорость флеш-накопителей USB-C

Из-за использования скрытого сжатия некоторые модели флеш-накопителей USB-C не в состоянии сохранять данные со скоростью, указанной производителем. В этом случае заявленные характеристики достигаются только для файлов с простой структурой, а при работе с видео реальное значение такого параметра будет меньше.

На некоторых флеш-накопителях USB-C скорость записи меньше заявленной производителем, при этом отклонение может достигать 50%. Даже если в технических характеристиках указано, что носитель подходит для работы с видео, на практике он не всегда поддерживает запись в реальном времени.

Чтобы узнать, подходит или нет флеш-накопитель USB-C для записи и воспроизведения видео с большим объемом данных, воспользуйтесь утилитой Blackmagic Disk Speed Test. Она проверяет носитель на производительность, поэтому результаты теста будут отражать скорость, близкую к фактической. Как правило, современные и емкие накопители отличаются достаточным быстродействием.

Утилита Blackmagic Disk Speed Test доступна в Mac App Store. Версии для работы на платформах Windows и macOS также включены в приложение Blackmagic Desktop Video, которое можно загрузить в разделе «Запись и воспроизведение» центра поддержки Blackmagic Design на странице www.blackmagicdesign.com/ru/support.

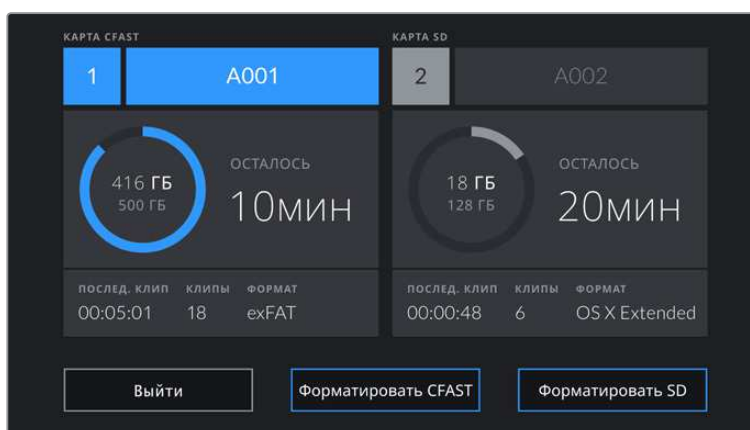
Подготовка носителя к записи

Карты CFast и SD, а также флеш-накопители USB-C можно отформатировать с помощью соответствующей функции на экранной панели камеры или на компьютере под управлением Mac либо Windows. Для получения оптимального результата рекомендуется выполнять форматирование носителя непосредственно на камере.

Формат HFS+ также известен как OS X Extended и является предпочтительным, так как он поддерживает протоколирование. В этом случае при повреждении носителя содержащиеся на нем данные будет проще восстановить. Формат HFS+ совместим с операционной системой macOS, а exFAT можно использовать на платформах macOS и Windows без дополнительного программного обеспечения, однако он не предусматривает протоколирования.

Подготовка накопителя на Blackmagic Pocket Cinema Camera

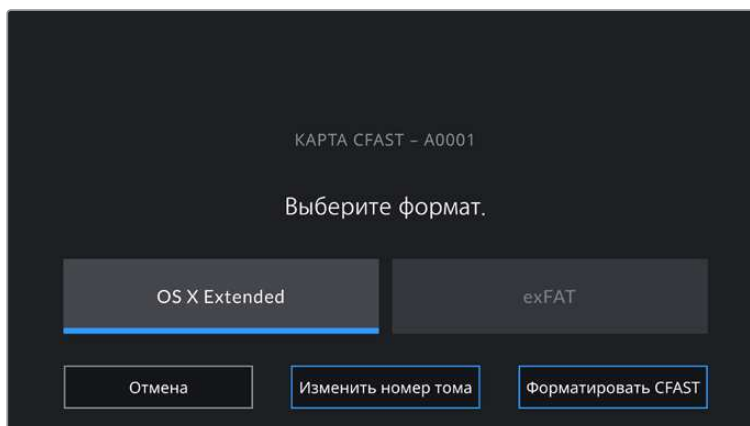
- 1 Коснитесь любого значка носителя внизу сенсорного ЖК-экрана, чтобы открыть панель параметров сохранения.
- 2 Выберите «Форматировать CFAST» или «Форматировать SD». Если к камере подключен флеш-накопитель USB-C, на экране вместо «Форматировать SD» появится кнопка «Форматировать диск».



Если к камере подключен флеш-накопитель USB-C, на экране вместо «Форматировать SD» появится кнопка «Форматировать диск»

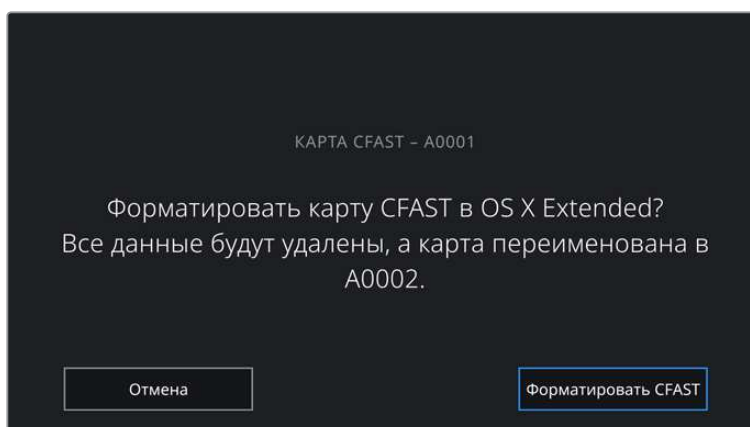
- 3 Нажмите кнопку «Изменить номер тома», если нужно вручную изменить номер тома. Введите значение с помощью клавиатуры и выберите «Обновить» для подтверждения.

- 4 Выберите нужный формат (OS X Extended или exFAT) и нажмите кнопку форматирования.



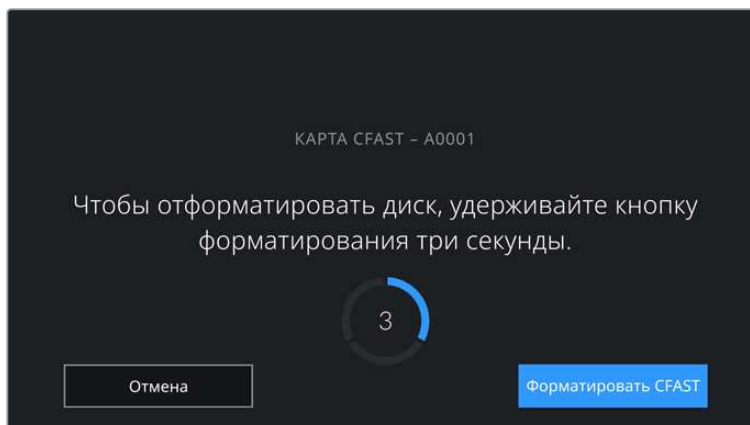
Чтобы вручную изменить номер тома, нажмите кнопку «Изменить номер тома»

- 5 На экране появится запрос на подтверждение для выбранного накопителя с указанием формата и номера тома. Чтобы продолжить, нажмите кнопку форматирования. В противном случае нажмите «Отмена».



Перед форматированием убедитесь в том, что выбрана нужная карта

- 6 Чтобы отформатировать накопитель, нажмите и удерживайте соответствующую кнопку в течение трех секунд.



- 7 По окончании форматирования появится сообщение о том, успешно или нет оно выполнено.
- 8 Нажмите «ОК», чтобы вернуться к панели параметров сохранения.
- 9 Для выхода коснитесь кнопки «Выйти».

Когда карты CFast и SD или флеш-накопители USB-C форматируются на камере, ее идентификатор становится частью имени файла с записываемым видео. При каждом последующем форматировании выполняется автоматическая нумерация томов. Чтобы изменить ее вручную, нажмите кнопку «Изменить номер тома» и введите нужное значение.

Если в новом проекте необходимо начать нумерацию томов с 1, нажмите кнопку «Сброс данных проекта» на вкладке «ПРОЕКТ» таблички данных.



Панель параметров сохранения на камере показывает, какой носитель (CFast, SD или флеш-накопитель USB-C) используется в настоящий момент

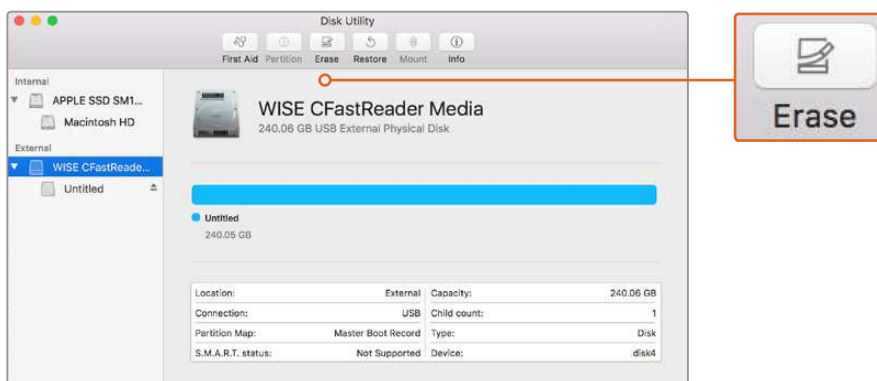
СОВЕТ. Если карта защищена от записи, после ее установки в слот на ЖК-дисплее камеры вместо продолжительности записи появится текст «Заблок.», а в меню накопителя будет отображаться значок замка. Чтобы выполнить форматирование носителя и запись видео, необходимо снять защиту. Подробнее см. раздел «Карты SD».

ПРИМЕЧАНИЕ. Если к камере подключен флеш-накопитель USB-C, в позиции слота 2 появится текст «ВНЕШНИЙ ДИСК».

Подготовка накопителя на Mac

Для форматирования носителя (CFast, SD или флеш-накопитель USB-C) под систему HFS+ или exFAT воспользуйтесь приложением «Дисковая утилита», которая входит в пакет macOS. Сначала выполните резервное копирование всех важных данных, потому что при форматировании накопителя они будут удалены.

- 1 Подключите носитель к компьютеру и пропустите сообщение, предлагающее использовать накопитель для создания резервной копии Time Machine.
- 2 Выберите «Программы» > «Утилиты» и запустите дисковую утилиту.
- 3 Щелкните кнопкой мыши по значку носителя и выберите вкладку «Стереть».
- 4 Выберите формат Mac OS Extended (журналируемый) или exFAT.
- 5 Укажите название нового тома в поле «Имя» и выберите «Стереть». По окончании форматирования носитель будет готов к использованию.

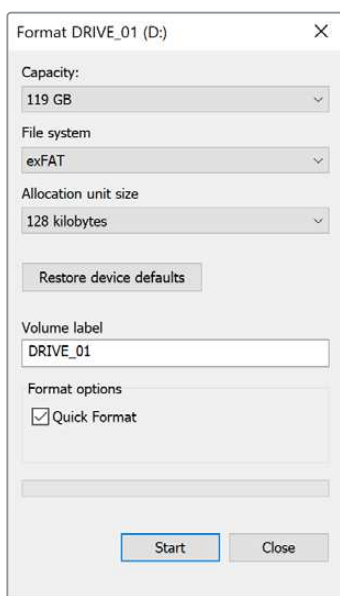


На платформе macOS для форматирования носителя под систему Mac OS Extended (журналируемый) или exFAT используется «Дисковая утилита».

Подготовка накопителя на Windows

На компьютере под управлением Windows форматирование под систему exFAT выполняется с помощью диалогового окна «Форматировать». Сначала выполните резервное копирование всех важных данных, потому что при форматировании накопителя они будут удалены.

- 1 Подключите накопитель к компьютеру с помощью картридера, кабеля USB-C или адаптера.
- 2 Откройте меню или экран «Пуск» и выберите «Компьютер». Щелкните правой кнопкой мыши по значку накопителя.
- 3 В контекстном меню выберите «Форматировать».
- 4 Выберите файловую систему exFAT и для размера кластера установите значение 128 КБ.
- 5 Укажите метку тома, выберите «Быстрое форматирование» и «Начать».
- 6 По окончании форматирования накопитель будет готов к использованию.



На платформе Windows для форматирования накопителей под систему exFAT используется диалоговое окно «Форматировать»

ПРИМЕЧАНИЕ. При наличии пропущенных кадров убедитесь в том, что накопитель находится в списке рекомендуемых носителей и поддерживает выбранный кодек и разрешение. Чтобы уменьшить объем данных, попробуйте работать с более низкой кадровой частотой и разрешением или используйте кодек ProRes. Актуальную информацию можно найти на веб-сайте Blackmagic Design по адресу www.blackmagicdesign.com/ru.

ПРИМЕЧАНИЕ. Хотя камера позволяет использовать сегментированный накопитель, для записи и воспроизведения она распознает только первый сегмент.

Если при форматировании носителя используется соответствующее меню, содержимое диска будет удалено полностью, включая все сегменты, а не только первый из них. По этой причине рекомендуется работать с носителями, которые имеют только один сегмент.

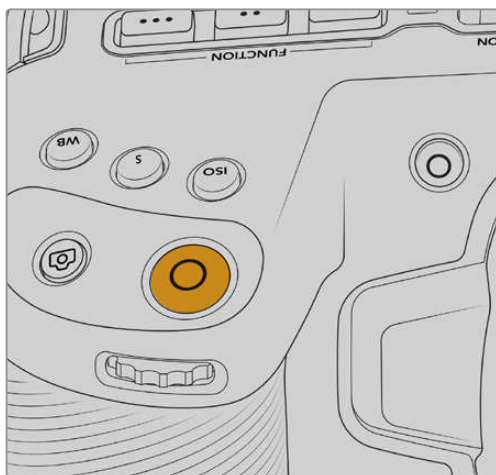
Запись

Запись клипов

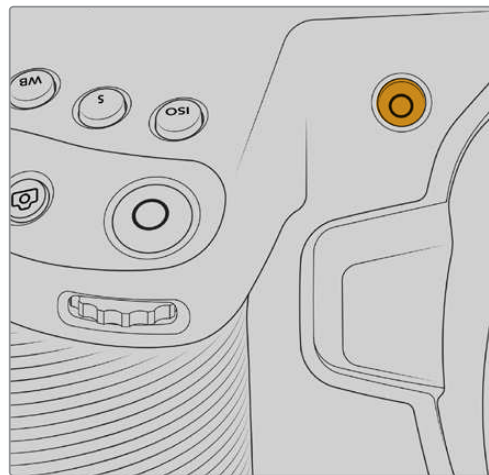
Blackmagic Pocket Cinema Camera имеет две кнопки записи. Одна из них расположена на верхней панели камеры и предназначена для нажатия указательным пальцем правой руки.

Вторая кнопка находится на передней панели и служит для запуска сохранения при съемке в стиле «селфи». Такой режим работы обычно используют авторы видеоблогов.

Чтобы начать запись, нажмите любую из указанных кнопок. Для остановки записи нажмите кнопку еще раз.



Кнопка записи на верхней панели



Кнопка записи на передней панели

Перед началом записи выберите внизу ЖК-дисплея название носителя, предназначенного для работы. Соответствующий индикатор станет синим, что означает готовность накопителя к использованию. Для перехода к другому носителю выберите его название. Во время записи индикатор становится красным.

Выбор формата записи

Blackmagic Pocket Cinema Camera поддерживает кодеки Apple ProRes, в том числе ProRes 422 HQ, ProRes 422, ProRes 422 LT и ProRes 422 Proxy. В этом случае на флеш-накопитель USB-C, карту SD или CFast можно уместить больше материала. ProRes 422 HQ обеспечивает максимально высокое качество с наименьшей степенью компрессии. ProRes 422 Proxy позволяет значительно увеличить длительность записи за счет повышения компрессии. Записывать материал можно также и в формате Blackmagic RAW. Оптимальный формат в условиях конкретного рабочего процесса можно установить опытным путем.

Следует отметить, что модели Blackmagic Pocket Cinema Camera используют кодек Blackmagic RAW для записи в полном и ограниченном режиме сенсора, а ProRes — для сохранения в сниженном разрешении.

Подробнее о форматах с ограничением и снижением см. раздел «Максимальная кадровая частота сенсора».

Blackmagic RAW

Blackmagic Pocket Cinema Camera поддерживает новый кодек Blackmagic RAW. Он обеспечивает исключительно высокое качество изображения, сохранение широкого динамического диапазона и использование разной степени компрессии. Blackmagic RAW имеет все преимущества записи в формате RAW, при этом файлы обрабатываются гораздо быстрее, потому что большинство операций выполняется с аппаратным ускорением на самой камере. Это позволяет воспроизводить материал в Blackmagic RAW с обычной скоростью на большинстве компьютеров без предварительного кэширования или уменьшения разрешающей способности.

Blackmagic RAW дополнительно позволяет обрабатывать большой объем метаданных, поэтому приложение, в котором открыт данный файл, способно считывать настройки камеры. Если съемка ведется в режиме «Видео» для исключения этапа цветокоррекции, то материал будет иметь соответствующий вид. За счет этого можно сократить сроки выполнения проекта и быстро получить кадры, готовые к показу. Тем не менее такие параметры изображения определяются всего лишь применением программных параметров, а в файле все равно сохраняется информация о гамме режима «Фильм».

На практике это означает, что файл содержит полную информацию о динамическом диапазоне режима киносъемки. Благодаря ей сохраняется полная детализация в областях света и тени, поэтому при необходимости можно выполнить грейдинг изображения, чтобы придать ему кинематографический вид. Если времени на цветокоррекцию нет, материал будет выглядеть как обычная видеосъемка. Таким образом, жесткая привязка к какому-либо одному формату отсутствует, и у вас всегда есть метаданные для дополнительной обработки кадров.

Файлы Blackmagic RAW имеют превосходные скоростные характеристики, а сам кодек оптимизирован под обработку с использованием центрального и графического процессоров. Благодаря этому достигается плавное воспроизведение материала и устраняется потребность в аппаратных средствах декодирования, что особенно важно при работе на ноутбуке. Приложения, способные считывать файлы .braw, получают дополнительное преимущество за счет таких технологий, как Apple Metal, Nvidia CUDA и OpenCL.

Это позволяет воспроизводить материал в Blackmagic RAW с обычной скоростью на большинстве компьютеров без предварительного кэширования или уменьшения разрешающей способности.

Еще одна особенность Blackmagic RAW — сохранение параметров объектива для каждого кадра, если оптика поддерживает обмен метаданными. В этом случае фиксируется вся информация о таких настройках, как изменение зума или фокуса на протяжении всего видеоклипа.

Запись в Blackmagic RAW

Кодек Blackmagic RAW позволяет использовать два разных варианта сохранения: с постоянным битрейтом или постоянным качеством.

При постоянном битрейте запись ведется таким же способом, как при работе с большинством других кодеков. Скорость потока остается на постоянном уровне, что позволяет контролировать объем занимаемой памяти. В тех случаях, когда снимается комплексная сцена с большим количеством деталей, компрессия изображения будет увеличиваться, чтобы уместить записываемый материал на накопителе.

Для видеокодеков сжатие является обычным явлением, однако формат Blackmagic RAW используется для того, чтобы получить изображение максимально высокого качества. При компрессии большого объема данных возможна утрата отдельных деталей, причем это будет заметно уже по окончании съемки.

Кодек Blackmagic RAW позволяет решить подобную проблему за счет сохранения видео с постоянным качеством. Для этого используется переменный битрейт, поэтому при увеличении объема данных растет и размер файла. Так как отсутствует верхняя граница для занимаемого на накопителе пространства, изображение будет иметь полную детализацию.

При сохранении с постоянным качеством создается файл того размера, который необходим для получения полноценного изображения. Объем такого файла напрямую зависит от характера съемки: чем сложнее композиция, тем он больше, и наоборот.

Настройки сохранения при работе с кодеком Blackmagic RAW могут служить как обозначения технических характеристик компрессии. Например, для постоянного битрейта доступны такие опции, как 3:1, 5:1, 8:1 и 12:1. Первая цифра соответствует степени сжатия видео при съемке в Blackmagic RAW. Так, разновидность 3:1 дает более высокое качество, но и файлы в этом случае будут больше, в то время как компрессия с соотношением 12:1 уменьшает размер файла до минимума за счет потери детализации. Тем не менее, многие пользователи отмечают, что даже Blackmagic RAW 12:1 позволяет получать материал без каких-либо ограничений в качестве. Лучший способ найти оптимальный вариант — самостоятельный подбор опции.

При записи в кодеке Blackmagic RAW с постоянным качеством доступны две настройки: Q0 и Q5. Каждая из них соответствует определенной степени компрессии. В этом случае нельзя заранее просчитать размер конечного файла, потому что коэффициент сжатия будет варьироваться в зависимости от характера выполняемой съемки. Чем сложнее композиция в кадре, тем больше места требуется на накопителе для сохранения полного объема информации.

Настройки «Постоянный битрейт»

Параметры 3:1, 5:1, 8:1 и 12:1 обозначают коэффициент сжатия. Например, при использовании опции 12:1 конечный файл по своему размеру приблизительно в 12 раз меньше по сравнению с данными в формате RAW без компрессии.

Настройки «Постоянное качество»

Q0 и Q5 обозначают уровень квантования. При использовании опции Q5 он более высокий, но за счет этого уменьшается объем необходимой памяти. Как отмечено выше, при сохранении с постоянным качеством размер файла зависит от сложности композиции в изображении. В этом случае видео может не уместиться на накопитель выбранной емкости, а также появляется вероятность пропуска кадров. Тем не менее, подобные проблемы заметны непосредственно во время съемки, поэтому их легко исправить путем изменения настроек.

Медиаплеер Blackmagic RAW

В состав ПО для камер Blackmagic входит медиаплеер для воспроизведения материалов, записанных в кодеке Blackmagic RAW. Чтобы открыть файл .braw, дважды щелкните кнопкой мыши по нему. После этого можно просмотреть клип с полным разрешением и битовой глубиной, а также перейти к нужному фрагменту.

При декодировании кадров можно предусмотреть ускорение графического процессора с помощью средств из SDK-пакета. Это позволяет использовать такие технологии, как Apple Metal, Nvidia CUDA и OpenCL. Для дополнительной оптимизации рабочего процесса предусмотрена совместимость с решением Blackmagic eGPU. Медиаплеер Blackmagic RAW поддерживается на платформах Mac, Windows и Linux.

Файлы .sidecar

Файлы с расширением .sidecar можно использовать вместо метаданных, сохраненных вместе с оригинальной информацией с сенсора камеры. Они содержат настройки Blackmagic RAW, а также параметры диафрагмы, фокуса, фокусного расстояния, баланса белого, оттенка и цветового пространства, название проекта, номер дубля и другие сведения. Метаданные кодируются для каждого кадра и позволяют отслеживать изменение настроек объектива. Их легко добавить или отредактировать в DaVinci Resolve или простом текстовом редакторе, потому что формат доступен для чтения.

Файл .sidecar можно использовать для автоматического применения новых настроек Blackmagic RAW к воспроизводимому материалу. Для этого его достаточно перетащить в ту папку, где находится клип в формате Blackmagic RAW. Если файл .sidecar удалить из папки и снова открыть клип, записанный в Blackmagic RAW, изображение будет иметь свой исходный вид. Считывание настроек доступно в любых приложениях, разработчики которых предусмотрели поддержку кодека Blackmagic RAW с помощью нашего SDK-пакета. Формат .sidecar позволяет сохранять внесенные изменения, поэтому они заметны при просмотре в медиаплеере Blackmagic RAW или другой программе, способной распознавать файлы .braw.

При съемке в режиме «Видео» оригинальная информация об изображении сохраняется в режиме «Фильм», и только способ ее обработки определяет, какой будет гамма визуального ряда. Преимущество первого варианта в том, что не надо выполнять грейдинг, поэтому материал легко подготовить к показу. Если же нужно осветлить области тени или сделать менее яркими светлые участки, для этого есть полный набор необходимых данных.

Работа с кодеком Blackmagic RAW в приложении DaVinci Resolve

Для каждого клипа в формате .braw настройки можно скорректировать и сохранить в виде отдельного файла .sidecar. Для этого в приложении DaVinci Resolve есть вкладка «Настройки RAW камеры». Такая функция позволяет копировать материал для другого человека, работающего в DaVinci Resolve, который после импорта получит доступ к измененным параметрам гаммы. Помимо метаданных, встроенных в полученную с сенсора информацию, предусмотрено считывание выбранного динамического диапазона, поэтому клипы автоматически отображаются в режиме «Фильм», «Улучш. видео» или «Видео».

Параметры изображения можно скорректировать с помощью настроек насыщенности, контрастности и срединной точки, а также перехода светлых и темных тонов. Все изменения легко сохранить в файле .sidecar, и тогда они будут видны другим членам группы постобработки. Кроме того, в любой момент времени доступны оригинальные метаданные камеры.

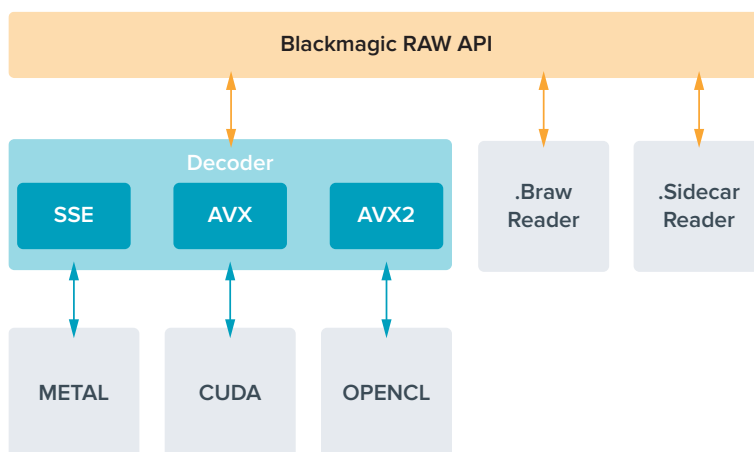
Вкладка «Настройки RAW камеры» в приложении DaVinci Resolve также позволяет экспортировать один кадр файла .braw со всеми изменениями, метаданными, полным разрешением и информацией о цвете. Его можно использовать в качестве отправной точки во время групповой работы над проектом.

Подробнее о работе с файлами .braw в приложении DaVinci Resolve см. соответствующую главу ниже.

SDK-пакет для Blackmagic RAW

SDK-пакет для Blackmagic RAW представляет собой интерфейс API, разработанный компанией Blackmagic Design. С его помощью можно предусмотреть поддержку кодека Blackmagic RAW в уже существующих приложениях или создать новые. Это позволяет читать, редактировать и сохранять файлы .braw. Кроме того, данный набор инструментальных средств обеспечивает точную и последовательную цветопередачу на кинематографическом уровне. SDK-пакет для Mac, Windows и Linux доступен для бесплатной загрузки в разделе «Разработчикам» на веб-сайте Blackmagic по адресу www.blackmagicdesign.com/ru/developer.

Компоненты интерфейса API для поддержки кодека Blackmagic RAW



Максимальная кадровая частота сенсора

Blackmagic Pocket Cinema Camera 6K: максимальная кадровая частота сенсора

	Разрешение	Кодек	Режим сенсора	Макс. частота кадров
6K	6144 x 3456	Blackmagic RAW	Полный	50
6K 2,4:1	6144 x 2560	Blackmagic RAW	Ограниченный	60
5.7K 17:9	5744 x 3024	Blackmagic RAW	Ограниченный	60
4K DCI	4096 x 2160	ProRes 422 HQ	Снижен с 5.7K	60
	4096 x 2160	ProRes 422	Снижен с 5.7K	60
	4096 x 2160	ProRes 422 LT	Снижен с 5.7K	60
	4096 x 2160	ProRes 422 Proxy	Снижен с 5.7K	60
Ultra HD	3840 x 2160	ProRes 422 HQ	Снижен с полного	50
	3840 x 2160	ProRes 422	Снижен с полного	50
	3840 x 2160	ProRes 422 LT	Снижен с полного	50
	3840 x 2160	ProRes 422 Proxy	Снижен с полного	50
	3840 x 2160	ProRes 422 HQ	Снижен с 5.7K	60
	3840 x 2160	ProRes 422	Снижен с 5.7K	60
	3840 x 2160	ProRes 422 LT	Снижен с 5.7K	60
	3840 x 2160	ProRes 422 Proxy	Снижен с 5.7K	60
3.7K анаморф.	3728 x 3104	Blackmagic RAW	Ограниченный	60
2.8K 17:9	2868 x 1512	Blackmagic RAW	Ограниченный	120

	Разрешение	Кодек	Режим сенсора	Макс. частота кадров
HD	1920 x 1080	ProRes 422 HQ	Снижен с полного	50
	1920 x 1080	ProRes 422	Снижен с полного	50
	1920 x 1080	ProRes 422 LT	Снижен с полного	50
	1920 x 1080	ProRes 422 Proxy	Снижен с полного	50
	1920 x 1080	ProRes 422 HQ	Снижен с 5.7К	60
	1920 x 1080	ProRes 422	Снижен с 5.7К	60
	1920 x 1080	ProRes 422 LT	Снижен с 5.7К	60
	1920 x 1080	ProRes 422 Proxy	Снижен с 5.7К	60
	1920 x 1080	ProRes 422 HQ	Снижен с 2.7К	120
	1920 x 1080	ProRes 422	Снижен с 2.7К	120
	1920 x 1080	ProRes 422 LT	Снижен с 2.7К	120
	1920 x 1080	ProRes 422 Proxy	Снижен с 2.7К	120

Blackmagic Pocket Cinema Camera 4K: максимальная кадровая частота сенсора

	Разрешение	Кодек	Режим сенсора	Макс. частота кадров
4K DCI	4096 x 2160	Blackmagic RAW	Полный	60
	4096 x 2160	ProRes 422 HQ	Полный	60
	4096 x 2160	ProRes 422	Полный	60
	4096 x 2160	ProRes 422 LT	Полный	60
	4096 x 2160	ProRes 422 Proxy	Полный	60
4K 2,4:1	4096 x 1712	Blackmagic RAW	Ограниченный	75
Ultra HD	3840 x 2160	Blackmagic RAW	Ограниченный	60
	3840 x 2160	ProRes 422 HQ	Ограниченный	60
	3840 x 2160	ProRes 422	Ограниченный	60
	3840 x 2160	ProRes 422 LT	Ограниченный	60
	3840 x 2160	ProRes 422 Proxy	Ограниченный	60
2.8K анаморф.	2880 x 2160	Blackmagic RAW	Ограниченный	80
2.6K 16:9	2688 x 1512	Blackmagic RAW	Ограниченный	120
HD	1920 x 1080	ProRes 422 HQ	Снижен с полного	60
	1920 x 1080	ProRes 422	Снижен с полного	60
	1920 x 1080	ProRes 422 LT	Снижен с полного	60
	1920 x 1080	ProRes 422 Proxy	Снижен с полного	60
	1920 x 1080	ProRes 422 HQ	Снижен с 2.6К	120
	1920 x 1080	ProRes 422	Снижен с 2.6К	120
	1920 x 1080	ProRes 422 LT	Снижен с 2.6К	120
	1920 x 1080	ProRes 422 Proxy	Снижен с 2.6К	120
	1920 x 1080	Blackmagic RAW	Ограниченный	120
	1920 x 1080	ProRes 422 HQ	Ограниченный	120
	1920 x 1080	ProRes 422	Ограниченный	120
	1920 x 1080	ProRes 422 LT	Ограниченный	120
	1920 x 1080	ProRes 422 Proxy	Ограниченный	120

ПРИМЕЧАНИЕ. Разрешение 2.6K 16:9 оптимизировано для съемки с использованием оптики формата Super 16 и высокой кадровой частоты.

Продолжительность записи

В таблицах приведена приблизительная продолжительность записи в минутах и секундах в зависимости от формата, частоты съемки проекта и емкости носителя данных. Следует отметить, что значения разрешения и кодеки, доступные в Pocket Cinema Camera 6K, отличаются от имеющихся в Pocket Cinema Camera 4K.

Максимальное значение зависит от емкости носителя (CFast, SD или флеш-накопитель USB-C), а также от выбранных параметров сохранения. Например, для Apple ProRes 422 HQ с разрешением 3840 x 2160 объем занимаемой памяти составляет примерно 880 Мбит/с. При частоте 24 кадра/с на карту CFast 2.0 емкостью 256 ГБ можно записать видео продолжительностью около 47 минут. На CFast-карту емкостью 128 ГБ при использовании аналогичных настроек уместится примерно 23 минуты видео, то есть в два раза меньше.

Продолжительность записи может варьироваться у разных производителей. Она также зависит от того, под какую систему выполнено форматирование — exFAT или Mac OS X Extended.

Как правило, видео с небольшим количеством деталей занимает на диске меньше места по сравнению с клипами, которые отличаются насыщенной композицией. В таблице указаны значения для второго типа, поэтому при съемке простых кадров продолжительность записи может немного увеличиваться.

6K					
Карта CFast	Частота кадров	Blackmagic RAW 3:1	Blackmagic RAW 5:1	Blackmagic RAW 8:1	Blackmagic RAW 12:1
256 ГБ		Время	Время	Время	Время
	23.98	17 мин.	28 мин.	45 мин.	67 мин.
	24	17 мин.	28 мин.	45 мин.	67 мин.
	25	16 мин.	27 мин.	43 мин.	64 мин.
	30	13 мин.	22 мин.	36 мин.	54 мин.
	50	8 мин.	13 мин.	21 мин.	32 мин.

6K 2,4:1					
Карта CFast	Частота кадров	Blackmagic RAW 3:1	Blackmagic RAW 5:1	Blackmagic RAW 8:1	Blackmagic RAW 12:1
256 ГБ		Время	Время	Время	Время
	23.98	23 мин.	38 мин.	60 мин.	91 мин.
	24	22 мин.	38 мин.	60 мин.	91 мин.
	25	21 мин.	36 мин.	58 мин.	87 мин.
	30	18 мин.	30 мин.	48 мин.	72 мин.
	50	11 мин.	18 мин.	29 мин.	43 мин.
60	9 мин.	15 мин.	24 мин.	36 мин.	

5.7K 17:9					
Карта CFast	Частота кадров	Blackmagic RAW 3:1	Blackmagic RAW 5:1	Blackmagic RAW 8:1	Blackmagic RAW 12:1
256 ГБ		Время	Время	Время	Время
	23.98	20 мин.	34 мин.	55 мин.	82 мин.
	24	20 мин.	34 мин.	55 мин.	82 мин.
	25	19 мин.	33 мин.	52 мин.	79 мин.
	30	16 мин.	27 мин.	44 мин.	66 мин.
	50	10 мин.	16 мин.	26 мин.	39 мин.
	60	8 мин.	13 мин.	22 мин.	33 мин.

4K DCI									
Карта CFast	Частота кадров	Blackmagic RAW 3:1	Blackmagic RAW 5:1	Blackmagic RAW 8:1	Blackmagic RAW 12:1	ProRes 422 HQ	ProRes 422	ProRes 422 LT	ProRes 422 Proxy
256 ГБ		Время	Время	Время	Время	Время	Время	Время	Время
	23.98	39 мин.	65 мин.	104 мин.	155 мин.	44 мин.	66 мин.	95 мин.	216 мин.
	24	39 мин.	65 мин.	103 мин.	155 мин.	44 мин.	66 мин.	95 мин.	216 мин.
	25	37 мин.	62 мин.	99 мин.	149 мин.	42 мин.	64 мин.	91 мин.	207 мин.
	30	31 мин.	52 мин.	83 мин.	124 мин.	35 мин.	53 мин.	76 мин.	173 мин.
	50	18 мин.	31 мин.	49 мин.	74 мин.	21 мин.	32 мин.	45 мин.	104 мин.
	60	15 мин.	26 мин.	41 мин.	62 мин.	17 мин.	26 мин.	38 мин.	87 мин.

4K 2,4:1					
Карта CFast	Частота кадров	Blackmagic RAW 3:1	Blackmagic RAW 5:1	Blackmagic RAW 8:1	Blackmagic RAW 12:1
256 ГБ		Время	Время	Время	Время
	23.98	50 мин.	84 мин.	134 мин.	201 мин.
	24	50 мин.	84 мин.	134 мин.	201 мин.
	25	48 мин.	81 мин.	129 мин.	193 мин.
	30	40 мин.	67 мин.	108 мин.	161 мин.
	50	24 мин.	40 мин.	65 мин.	97 мин.
	60	20 мин.	33 мин.	54 мин.	81 мин.
	80	17 мин.	28 мин.	45 мин.	68 мин.

Ultra HD									
Карта CFast	Частота кадров	Blackmagic RAW 3:1	Blackmagic RAW 5:1	Blackmagic RAW 8:1	Blackmagic RAW 12:1	ProRes 422 HQ	ProRes 422	ProRes 422 LT	ProRes 422 Proxy
256 ГБ		Время	Время	Время	Время	Время	Время	Время	Время
	23.98	41 мин.	68 мин.	110 мин.	164 мин.	47 мин.	71 мин.	101 мин.	230 мин.
	24	41 мин.	68 мин.	109 мин.	164 мин.	47 мин.	71 мин.	101 мин.	230 мин.
	25	39 мин.	66 мин.	105 мин.	157 мин.	45 мин.	68 мин.	97 мин.	221 мин.
	30	33 мин.	55 мин.	88 мин.	131 мин.	38 мин.	57 мин.	81 мин.	184 мин.
	50	19 мин.	33 мин.	52 мин.	79 мин.	22 мин.	34 мин.	48 мин.	111 мин.
	60	16 мин.	27 мин.	44 мин.	66 мин.	18 мин.	28 мин.	40 мин.	92 мин.

3.7K анаморфный					
Карта CFast	Частота кадров	Blackmagic RAW 3:1	Blackmagic RAW 5:1	Blackmagic RAW 8:1	Blackmagic RAW 12:1
256 ГБ		Время	Время	Время	Время
	23.98	31 мин.	51 мин.	82 мин.	123 мин.
	24	31 мин.	51 мин.	82 мин.	123 мин.
	25	29 мин.	49 мин.	79 мин.	118 мин.
	30	24 мин.	41 мин.	65 мин.	98 мин.
	50	15 мин.	24 мин.	39 мин.	59 мин.
	60	12 мин.	20 мин.	33 мин.	49 мин.

2.8K анаморфный					
Карта CFast	Частота кадров	Blackmagic RAW 3:1	Blackmagic RAW 5:1	Blackmagic RAW 8:1	Blackmagic RAW 12:1
256 ГБ		Время	Время	Время	Время
	23.98	57 мин.	95 мин.	151 мин.	226 мин.
	24	57 мин.	95 мин.	151 мин.	226 мин.
	25	54 мин.	91 мин.	145 мин.	217 мин.
	30	45 мин.	76 мин.	121 мин.	181 мин.
	50	27 мин.	45 мин.	73 мин.	109 мин.
	60	22 мин.	38 мин.	61 мин.	91 мин.
	80	17 мин.	28 мин.	45 мин.	68 мин.

2.8K 17:9					
Карта CFast	Частота кадров	Blackmagic RAW 3:1	Blackmagic RAW 5:1	Blackmagic RAW 8:1	Blackmagic RAW 12:1
256 ГБ		Время	Время	Время	Время
	23.98	81 мин.	136 мин.	216 мин.	321 мин.
	24	81 мин.	135 мин.	215 мин.	320 мин.
	25	78 мин.	130 мин.	207 мин.	308 мин.
	30	65 мин.	108 мин.	173 мин.	258 мин.
	50	39 мин.	65 мин.	104 мин.	156 мин.
	60	32 мин.	54 мин.	87 мин.	130 мин.
	120	16 мин.	27 мин.	43 мин.	65 мин.

2.6K 16:9					
Карта CFast	Частота кадров	Blackmagic RAW 3:1	Blackmagic RAW 5:1	Blackmagic RAW 8:1	Blackmagic RAW 12:1
256 ГБ		Время	Время	Время	Время
	23.98	87 мин.	144 мин.	230 мин.	342 мин.
	24	87 мин.	144 мин.	229 мин.	342 мин.
	25	83 мин.	138 мин.	220 мин.	328 мин.
	30	69 мин.	115 мин.	184 мин.	275 мин.
	50	41 мин.	69 мин.	111 мин.	166 мин.
	60	34 мин.	58 мин.	92 мин.	138 мин.
	120	17 мин.	29 мин.	46 мин.	69 мин.

HD									
Карта CFast	Частота кадров	Blackmagic RAW 3:1	Blackmagic RAW 5:1	Blackmagic RAW 8:1	Blackmagic RAW 12:1	ProRes 422 HQ	ProRes 422	ProRes 422 LT	ProRes 422 Proxy
256 ГБ		Время	Время	Время	Время	Время	Время	Время	Время
	23.98	159 мин.	264 мин.	418 мин.	619 мин.	189 мин.	283 мин.	403 мин.	877 мин.
	24	159 мин.	264 мин.	418 мин.	618 мин.	189 мин.	283 мин.	403 мин.	877 мин.
	25	153 мин.	253 мин.	402 мин.	595 мин.	182 мин.	271 мин.	387 мин.	843 мин.
	30	127 мин.	212 мин.	336 мин.	499 мин.	152 мин.	227 мин.	324 мин.	710 мин.
	50	76 мин.	127 мин.	203 мин.	303 мин.	91 мин.	137 мин.	196 мин.	434 мин.
	60	64 мин.	106 мин.	170 мин.	254 мин.	76 мин.	114 мин.	163 мин.	363 мин.
	120	32 мин.	54 мин.	87 мин.	130 мин.	38 мин.	57 мин.	82 мин.	185 мин.

ПРИМЕЧАНИЕ. Для съемки в полном и ограниченном режимах сенсора выберите кодек Blackmagic RAW, а в сниженных форматах — ProRes.

Съемка в форматах 6K; 6K 2,4:1; 5.7K 17:9; 3.7K анаморф. и 2.8K 17:9 возможна только с помощью модели Pocket Cinema Camera 6K и кодека Blackmagic RAW, а для сохранения в 4K DCI, Ultra HD и HD используется ProRes.

Съемка в форматах 4K 2,4:1; 2.8K анаморф. и 2.6K 16:9 возможна только с помощью модели Pocket Cinema Camera 4K и кодека Blackmagic RAW, а для сохранения в 4K DCI, Ultra HD и HD используется как Blackmagic RAW, так и ProRes.

При сохранении с постоянным качеством оставшееся время записи для Q0 и Q5 будет разным. Продолжительность для Q0 приблизительно соответствует показателю для постоянного битрейта с коэффициентом компрессии 3:1, для Q5 — показателю со сжатием 12:1. Во время записи это значение обновляется каждые 10 секунд, поэтому лучший способ определить оставшееся время — выполнить 20-секундную съемку с мониторингом данного параметра на сенсорном дисплее.

Выбор кадровой частоты

Диапазон кадровой частоты позволяет использовать наиболее подходящее значение.

При его выборе нужно учитывать несколько факторов. За многие годы в индустрии установились определенные стандарты для съемки кино и ТВ-программ. Они отличаются в зависимости от страны, но в каждом случае служат одной и той же цели — получение качественного видео, в том числе при съемке движущихся объектов.

Например, в кинематографе используют частоту 24 кадра/с, и хотя некоторые операторы экспериментируют с более высокими значениями, этот формат остается предпочтительным для международной аудитории.

Телевизионная кадровая частота зависит от вещательных стандартов конкретного региона. Например, для стран Северной Америки она составляет 29,97 fps, а в Европе — 25 fps.

По мере развития технологий выбор форматов становится шире, а стандарты вещательной отрасли меняются. В настоящее время запись и трансляция спортивных мероприятий ведется с более высокой кадровой частотой. В Северной Америке для этих целей используют значение 59,94 fps, в Европе — 50 fps. Оно позволяет качественно показать динамичные сцены, чтобы изображение выглядело более естественным.

В потоковом интернет-вещании и онлайн-трансляциях обычно используют значения кадровой частоты, близкие к ТВ-индустрии. В этих случаях зрители имеют больше свободы при выборе формата, так как ограничения зависят только от технических возможностей потребителя.

При выборе кадровой частоты проекта следует руководствоваться требованиями для конечного материала. Когда это значение соответствует кадровой частоте сенсора, видео воспроизводится с той же скоростью, с какой оно записано.

Для создания интересного эффекта (например, замедленное движение) кадровая частота сенсора должна быть выше. Чем больше это значение по сравнению с частотой проекта, тем медленнее скорость воспроизведения.

Подробнее об использовании этой настройки и создании хронометражных эффектов см. раздел «Органы управления с сенсорного экрана».

Запуск записи

HDMI-выход на Blackmagic Pocket Cinema Camera автоматически получает сигнал для запуска записи на подключенном оборудовании, которое поддерживает подобную функцию (например, Blackmagic Video Assist).

Это означает, что при нажатии кнопки записи на камере аналогичные команды будут поступать на рекордер. При его подключении через HDMI-выход также передается тайм-код, поэтому он будет одинаковым в клипах, сохраненных на камере и внешним способом.

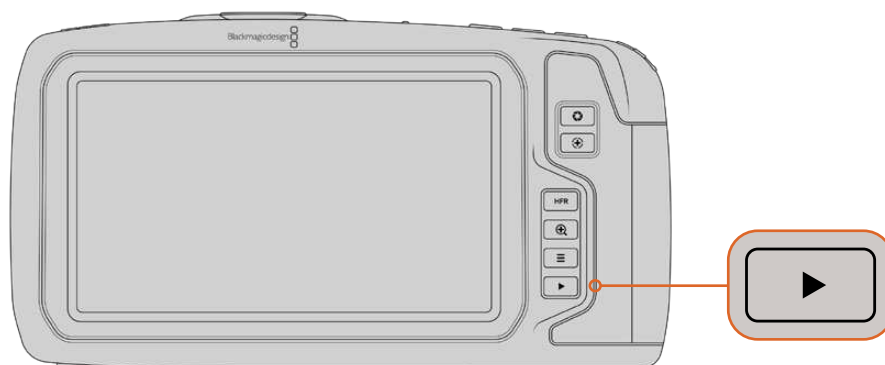
При поддержке такого режима должна быть доступна соответствующая настройка в меню устройства.

Воспроизведение

Воспроизведение клипов

После того как видео записано, его можно вывести на ЖК-дисплей с помощью кнопок управления воспроизведением. Нажмите кнопку с треугольником для перехода к режиму воспроизведения. Нажмите кнопку еще раз для вывода видео на ЖК-дисплей камеры или любой монитор, подключенный к HDMI-выходу. Для перехода к нужному фрагменту клипа удерживайте в нажатом положении кнопку перемотки вперед или назад на ЖК-дисплее. Воспроизведение остановится по окончании текущего клипа.

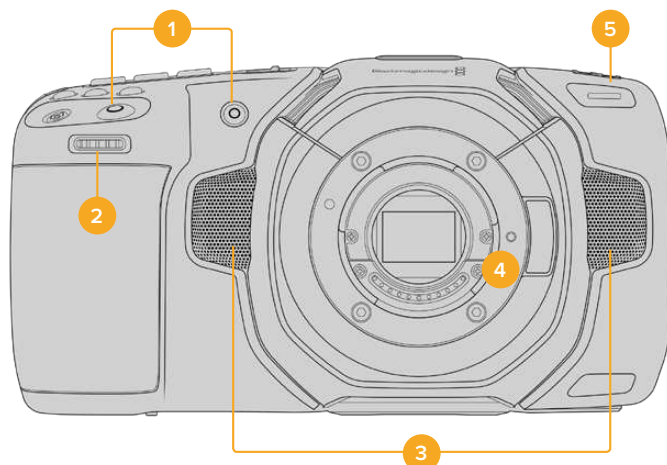
Для перехода к началу или окончанию клипа нажмите кнопку перемотки вперед или назад. Для перехода к началу текущего клипа нажмите кнопку обратной перемотки один раз, для перехода к началу предыдущего клипа — два раза. Для выхода из режима воспроизведения и возврата к текущему изображению нажмите кнопку записи.



Чтобы просмотреть на ЖК-дисплее последний записанный клип, нажмите кнопку воспроизведения

Функции камеры

Передняя панель камеры



1 Кнопки записи

Для запуска и остановки записи нажмите любую из этих кнопок. Расположенная на передней панели кнопка служит для сохранения при съемке в стиле «селфи».

2 Колесико настроек

Позволяет настраивать диафрагму при использовании совместимых объективов. Если повернуть камеру ЖК-дисплеем к себе, то поворот колесика настроек влево открывает диафрагму, вправо — закрывает. Оно также служит для регулировки баланса белого, угла раскрытия затвора и значений ISO. Нажмите соответствующую кнопку на верхней панели камеры и выберите настройку с помощью этого колесика. После перехода к нужному параметру нажмите колесико, чтобы моментально скрыть меню.

3 Стереомикрофоны

Камера имеет четыре встроенных стереомикрофона высокого качества. Подробнее см. раздел «Настройки звука».

4 Байонет

Blackmagic Pocket Cinema Camera 6K имеет активный байонет EF, а 4K-модель — Micro Four Thirds, которые позволяют использовать совместимые объективы с функцией стабилизации, а также устанавливать фокус и экспозицию в автоматическом режиме. Чтобы включить функцию стабилизации изображения, доступную на многих объективах с активным управлением, установите переключатель стабилизации в положение On. Если объектив также оснащен переключателем режимов стабилизации, установите его в нужный режим съемки статичных или движущихся объектов. Если же объектив не оснащен таким переключателем, включить и отключить функцию стабилизации можно в меню «НАСТРОЙКА» камеры.

5 Индикатор записи

На передней панели камеры есть небольшой светодиодный индикатор, который горит красным во время записи. Включить, отключить или настроить его яркость можно в меню «НАСТРОЙКА». Подробнее см. раздел «Основные настройки»

Правая сторона



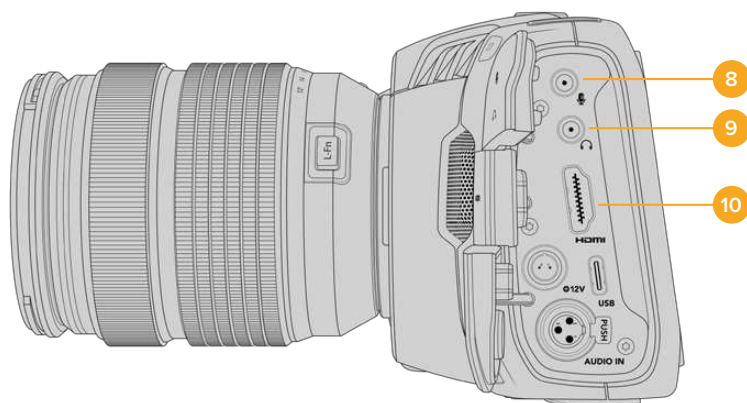
6 Слот для карт CFast

Позволяет использовать носители CFast 2.0 для записи и воспроизведения. Подробнее см. раздел «Карты CFast».

7 Слот для карт SD

Позволяет использовать карты SD для записи и воспроизведения. Подробнее см. раздел «Карты SD».

Левая сторона



8 Микрофонный вход 3,5 мм

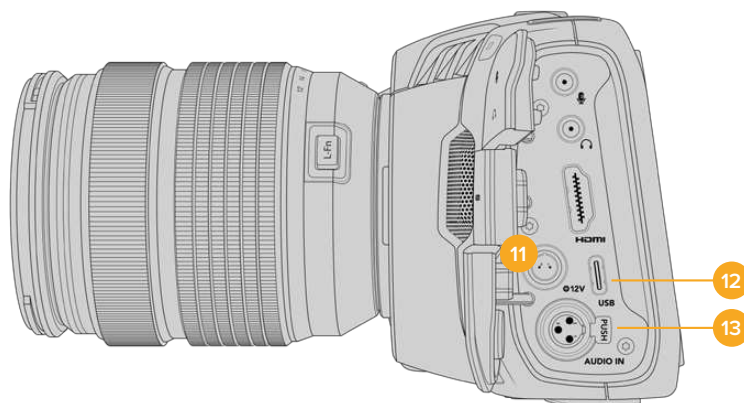
Стереоразъем поддерживает запись микрофонного или линейного сигнала и позволяет подключить микрофон к камере. Уровень микрофонного сигнала ниже уровня линейного, поэтому при использовании микрофона и выборе второй опции звук будет слишком тихим. Левый канал интерфейса также поддерживает тайм-код LTC по стандарту SMPTE из внешнего источника. Его обнаружение и встраивание как метаданных в сохраняемое видео выполняется автоматически. Такой тайм-код рекомендуется передавать через линейный выход, особенно в тех случаях, когда он не записывается как аудиодорожка.

9 Вход для подключения гарнитуры

Подключив наушники через стереоразъем диаметром 3,5 мм, можно контролировать уровень звука во время записи и воспроизведения. Динамик в этом случае не используется.

10 Выход HDMI

На полноформатный интерфейс HDMI выводится 10-битное HD-видео 1080p с частотой выборки 4:2:2 и двумя каналами встроенного звука. Для вывода чистого сигнала или изображения со служебными параметрами используйте меню сенсорного ЖК-дисплея.



11 Вход питания

Разъем для подачи питания на камеру и одновременной компенсационной зарядки аккумулятора. Для использования адаптера поверните разъем таким образом, чтобы он совпадал с расположенной сверху выемкой, и надавите до фиксации. Чтобы отсоединить кабель адаптера, снимите фиксацию и потяните устройство на себя.

Индивидуальные варианты питания

Blackmagic Pocket Cinema Camera допускает подключение к источникам питания собственного изготовления. Если вы используете ложную батарею, убедитесь в том, что на камеру не подается слишком высокое напряжение, потому что в противном случае есть риск необратимого повреждения. Расчетные параметры перечислены ниже.

- Вход для подключения батареи — от 6,2 В до 10 В максимум.
- Вход для подключения источника постоянного тока — от 10,8 В до 20 В максимум.
- В режиме ожидания и без зарядки батареи энергопотребление камеры составляет 16 Вт.
- При зарядке батареи типа LP-E6 это значение увеличивается до 30 Вт.
- Если вы используете источник питания собственного изготовления, рекомендуется извлечь батарею LP-E6.
- При записи на внешний накопитель, установке объектива с активным управлением, полной яркости дисплея и Tally-индикации, использовании высокой кадровой частоты и без зарядки батареи энергопотребление составляет 25 Вт для Pocket Cinema Camera 6K и 22 Вт для Pocket Cinema Camera 4K.

12 USB

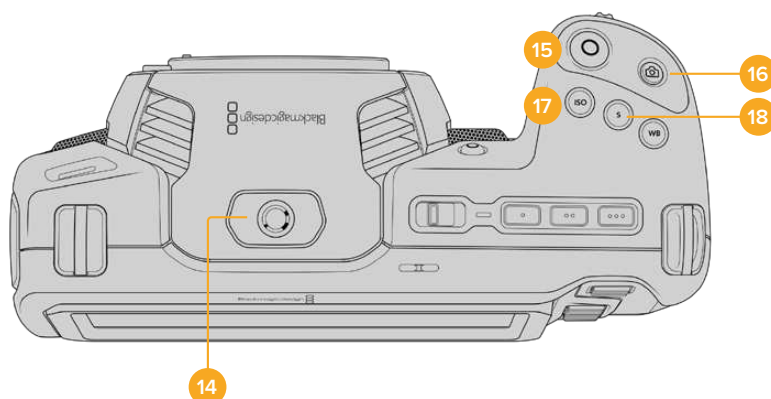
Порт USB-C позволяет вести запись напрямую на флеш-накопитель USB-C. При отключенной камере он также дает возможность заряжать аккумулятор из такого внешнего источника, как блок питания. Для обновления ПО камеры подключите ее к компьютеру через порт USB-C и запустите соответствующее приложение.

13 Микрофонный вход Mini XLR

Служит для подключения внешнего источника балансного аналогового звука. Для соединения с камерой стандартного XLR-микрофона используйте переходный кабель XLR/Mini XLR.

Вход поддерживает фантомное питание для подключения микрофонов профессионального класса без автономного энергоснабжения. Подробнее об использовании фантомного питания см. раздел «Звук».

Верхняя панель



14 Отверстие 1/4 дюйма (шаг 20)

Отверстие на верхней панели камеры служит для подключения внешнего микрофона или другого небольшого оборудования.

ПРИМЕЧАНИЕ. Отверстие размером 1/4 дюйма на верхней панели Pocket Cinema Camera можно использовать только для таких легких аксессуаров, как небольшие микрофоны. Оно не предназначено для держателей камеры при работе с тяжелыми объективами. В этом случае возможны повреждения, которые не подпадают под гарантийные обязательства. Отверстие не рассчитано на нагрузку, возникающую при установке тяжелых предметов с рукояткой. Для крепления таких аксессуаров рекомендуется использовать специальную корзину для Pocket Cinema Camera, которая крепится одновременно к нижнему и верхнему отверстиям 1/4 дюйма.

15 Запись

Нажмите кнопку, чтобы начать запись. Чтобы остановить запись, нажмите кнопку еще раз.

16 Фотосъемка

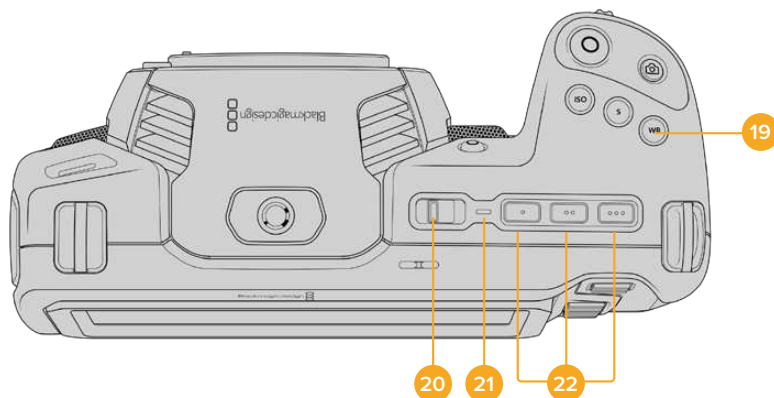
Нажмите эту кнопку для съемки отдельного DNG-кадра без компрессии. Если он сохранен, в верхнем правом углу ЖК-дисплея на короткое время появится значок камеры. Файлы с изображениями сохраняются в папку Stills в той же директории, где находятся медиафайлы текущей записи. Их имена совпадают с названиями видеофайлов, но в конце содержат индекс S001, цифры которого соответствуют номеру статического изображения.

17 ISO

Нажмите кнопку ISO и с помощью колесика настроек перейдите к необходимому значению ISO в диапазоне 100-25600 с шагом 1/3.

18 Затвор

Для выбора угла или скорости раскрытия затвора нажмите кнопку S, затем перейдите к необходимому значению с помощью колесика настроек. На дисплее будут также отображаться три возможных настройки без мерцания.



19 **Баланс белого**

Нажмите кнопку WB и с помощью колесика настроек перейдите к необходимому значению баланса белого. Для быстрого перехода к автоматической настройке нажмите и удерживайте кнопку WB в течение трех секунд. В центре изображения появится квадрат белого цвета, который будет использоваться для автоматической настройки баланса белого. Подробнее см. раздел «Органы управления с сенсорного экрана».

20 **Тумблер питания**

Тумблер для включения камеры. Чтобы включить камеру, передвиньте его вправо на ON, а для выключения — влево на OFF.

21 **Индикатор состояния**

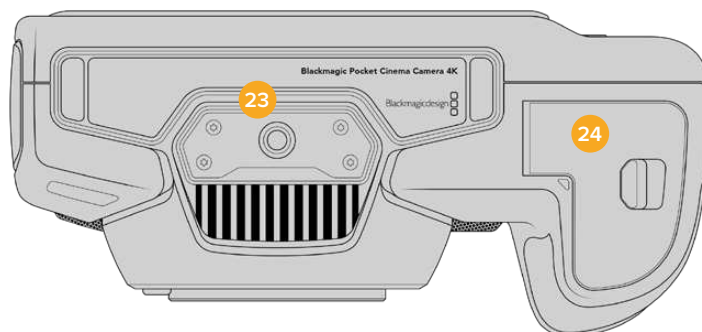
Если камера отключена и соединена с внешним блоком питания 12 В или соответствующим USB-устройством через порт USB-C, индикатор горит красным, что указывает на зарядку аккумулятора.

Когда он будет полностью заряжен, индикатор погаснет.

22 **Функциональные кнопки**

С помощью меню «НАСТРОЙКА» эти кнопки можно запрограммировать для доступа к часто используемым функциям. По умолчанию кнопка с одной точкой задана для работы условным цветом, с двумя — для отображения LUT-таблиц, с тремя — для рамок кадрирования.

Нижняя панель



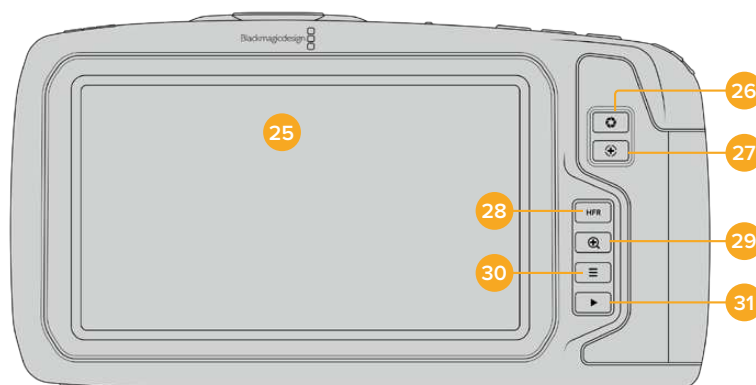
23 **Отверстие 1/4 дюйма (шаг 20)**

Отверстие для крепления камеры на штативе.

24 **Аккумуляторный отсек**

Чтобы открыть аккумуляторный отсек, сдвиньте фиксатор его крышки в сторону байонета. Чтобы закрыть крышку, надавите на нее до характерного щелчка.

Задняя панель



25 Сенсорный дисплей

Служит для показа клипов во время записи и воспроизведения. Для вывода настроек и элементов управления камерой проведите пальцем по экрану.

26 Кнопка диафрагмы

Нажатие кнопки приведет к установке средней экспозиции на основе параметров света и тени в кадре. Для изменения диафрагмы вручную поверните колесико настроек или выберите параметр «ДИАФРАГМА» на экране и задайте значение с помощью слайдера.

27 Кнопка фокусировки

Если на камере установлен объектив, поддерживающий автоматическую фокусировку, для работы с этой функцией нажмите кнопку один раз. По умолчанию автоматическая фокусировка выполняется по центру изображения. Для выбора другого положения коснитесь на экране необходимой области. Для сброса настройки и возврата к фокусировке по центру нажмите кнопку дважды.

ПРИМЕЧАНИЕ. Важно помнить, что некоторые объективы также допускают ручную установку фокуса, поэтому для применения данной функции необходимо выбрать автоматический режим.

28 Кнопка HFR

Служит для включения специальной кадровой частоты. Чтобы использовать эту функцию, активируйте изменение скорости записи и выберите значение в поле «СПЕЦИАЛЬНАЯ ЧАСТОТА». После этого при нажатии кнопки HFR можно переключаться между специальной и стандартной кадровой частотой проекта. Данная настройка доступна для изменения только при остановке записи.

Подробнее о специальной и стандартной кадровой частоте проекта см. раздел «Органы управления с сенсорного экрана».

29 Кнопка зуммирования

Нажмите кнопку, чтобы приблизить изображение в фокусе с масштабом «пиксель в пиксель». Степень увеличения можно далее регулировать двумя пальцами, сводя и разводя их на сенсорном экране. Подробнее см. раздел «Зуммирование разведением пальцев». Чтобы перейти к другому участку изображения, достаточно передвинуть палец по экрану. Для возврата к начальному изображению нажмите кнопку еще раз.

30 Кнопка меню

Нажмите кнопку, чтобы открыть экранную панель инструментов.

31 Кнопка воспроизведения

Нажмите кнопку с треугольником для перехода к режиму воспроизведения. Нажмите кнопку еще раз для вывода видео на ЖК-дисплей камеры или любой монитор, подключенный к HDMI-выходу.

Органы управления с сенсорного экрана

Функции сенсорного экрана

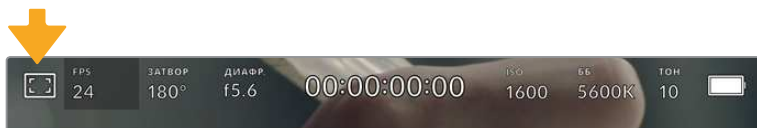
Blackmagic Pocket Cinema Camera имеет сенсорный экран, позволяющий быстро выбирать нужные настройки. С помощью касания или прокрутки оператор получает удобный доступ к основным функциям, которые используются во время съемки.



Сенсорный экран на камерах Blackmagic обеспечивает удобный доступ к большинству настроек

Настройки мониторинга на ЖК-экране

Чтобы получить доступ к настройкам мониторинга, коснитесь значка дисплея в верхнем левом углу сенсорного ЖК-экрана. Теперь можно выбрать параметры таких функций, как зебра, индикация фокуса, рамки кадрирования, сетка, границы изображения и условный цвет. В этом случае инструменты управления отображаются как меню внизу сенсорного экрана.



Чтобы получить доступ к настройкам мониторинга, коснитесь соответствующего значка в верхнем левом углу сенсорного ЖК-экрана

Зебра

Настройка позволяет выбирать способ вывода на ЖК-экране, а также устанавливать ее уровень на HDMI-выходе.

Эта функция отображает диагональные линии в тех областях, где экспозиция превышает установленный уровень. Например, при настройке 100% будут видны области с избыточной экспозицией. Это помогает выбрать оптимальную экспозицию в постоянных условиях освещения.



Чтобы установить параметры зебры, коснитесь соответствующего значка после выбора настроек мониторинга на ЖК-экране

Для активирования зебры коснитесь значка переключения в нижнем левом углу экрана на соответствующей вкладке.

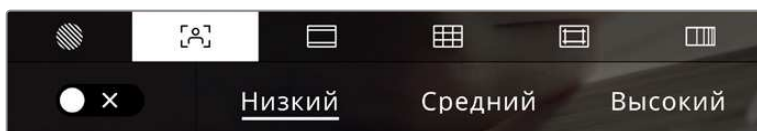
Чтобы установить уровень экспозиции, при котором начинает отображаться зебра, перетащите слайдер влево или вправо либо коснитесь соответствующей стрелки рядом с цифровым значением в процентах. Диапазон доступных значений — от 75 до 100 процентов с шагом 5%.

О том, как включить эту функцию для сигнала на HDMI-выходе, см. раздел «Настройки мониторинга».

СОВЕТ. При съемке в меняющихся условиях освещения (например, вне помещения при переменной облачности) настройка уровня зебры ниже 100 поможет избежать избыточной экспозиции.

Индикация фокуса

Эта настройка позволяет выбирать способ отображения функции на ЖК-экране, а также устанавливать необходимый уровень индикации фокуса для HDMI-выхода на Blackmagic Pocket Cinema Camera.



Чтобы установить уровень индикации фокуса, коснитесь соответствующего значка после выбора настроек мониторинга на ЖК-экране

Для изменения настройки коснитесь значка переключения в нижнем левом углу экрана на вкладке индикации фокуса.

Чтобы установить уровень индикации фокуса для HDMI-выхода камеры, коснитесь нужной настройки: «Низкий», «Средний» или «Высокий».

Оптимальный уровень индикации фокуса варьируется в зависимости от характера кадра. Например, при съемке людей он может быть высоким для сохранения детализации при изображении лиц. В других случаях (например, для статичных предметов) такой высокий уровень не требуется.

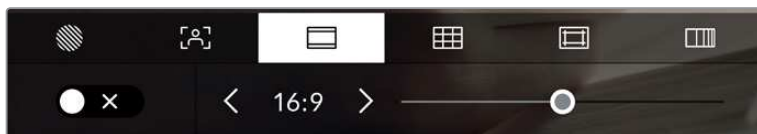
О том, как включить эту функцию для сигнала на HDMI-выходе, см. раздел «Настройки мониторинга».

СОВЕТ. Blackmagic Pocket Cinema Camera имеет два режима индикации фокуса. На вкладке «МОНИТОРИНГ» можно выбрать режим «Выделение» или «Цветные линии». Подробнее см. раздел «Настройки мониторинга».

Рамки кадрирования

Эта настройка позволяет выбирать рамки кадрирования, отображаемые на ЖК-экране. Для HDMI-выхода камеры можно также выбирать вид рамки.

В зависимости от назначения материала (кино, ТВ или онлайн-просмотр) доступны разные пропорции кадра.



Чтобы установить параметры рамки, коснитесь соответствующего значка после выбора настроек мониторинга на ЖК-экране

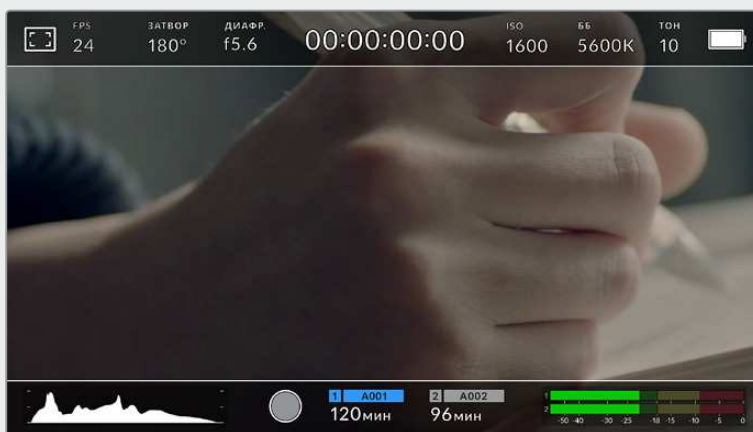
Отображение рамок кадрирования включается касанием соответствующего значка в нижнем левом углу ЖК-экрана.

Для выбора рамок кадрирования можно перетащить слайдер влево или вправо либо нажать одну из стрелок рядом с текущим значением пропорций кадра. Чтобы ввести собственный коэффициент, нажмите на число между стрелками.

Доступные рамки кадрирования

2,35:1; 2,39:1 и 2,40:1

Отображение с пропорциями кадра, которые используются в широкоэкранным и анаморфированном форматах. Эти три настройки имеют небольшие отличия друг от друга в результате изменения стандартов кино за последние десятилетия. В настоящее время соотношение сторон 2,39:1 является одним из наиболее популярных форматов.



Изображение на сенсорном ЖК-экране с рамкой 2,40:1

2:1

Данный формат по своим пропорциям находится между 16:9 и 2,35:1.

1,85:1

Еще одно соотношение сторон кадра, часто используемое в широкоформатном кинематографе. По своим пропорциям данный формат находится между HDTV 1,78:1 и 2,39:1.

16:9

Эта опция позволяет отображать пропорции кадра 1,78:1, которые соответствует соотношению 16:9 для ТВ-экранов высокой четкости и компьютерных мониторов. Такие параметры получили наибольшее распространение при трансляции HD-сигнала и размещении видео в Интернете, а также стали популярны и в вещании Ultra HD-сигнала.

14:9

Промежуточный вариант между 16:9 и 4:3. В большинстве случаев видео с пропорциями кадра 16:9 и 4:3 умещается в границы изображения с соотношением сторон 14:9 при обрезке по краям. Эту опцию можно использовать, если материал предназначен для трансляции в формате 14:9.

4:3

Отображение с пропорциями 4:3, которые подходят для телевизоров стандартной четкости и для кадрирования с помощью двух анаморфных адаптеров.

1:1

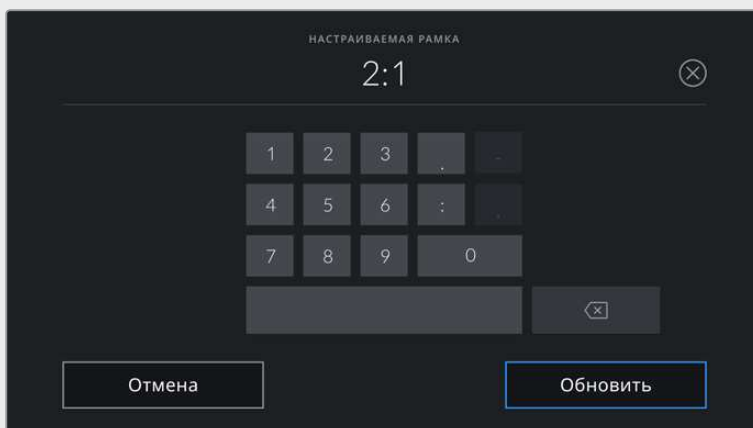
Этот формат, который немного уже, чем 4:3, становится все более популярным в социальных сетях.

4:5

Вертикальные изображения с пропорциями 4:5 идеально подходят для создания портретов и просмотра на смартфонах.

Собственные пропорции рамки

Чтобы создать собственные пропорции рамки, коснитесь значения между стрелками. На экране под названием «НАСТРАИВАЕМАЯ РАМКА» удалите текущее значение с помощью кнопки возврата, а затем введите новое, используя числовую клавиатуру. Для применения данной настройки рамки и возврата к съемке нажмите «Обновить».



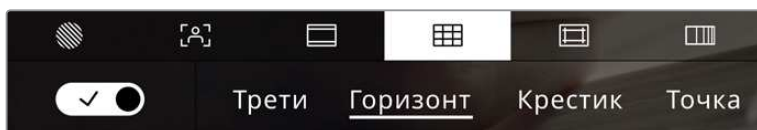
Для ввода новых пропорций рамки используется цифровая клавиатура на экране «НАСТРАИВАЕМАЯ РАМКА»

СОВЕТ. Прозрачность рамок кадрирования можно изменить. Подробнее см. раздел «Настройки мониторинга».

ПРИМЕЧАНИЕ. О том, как включить рамки кадрирования для сигнала на HDMI-выходе, см. раздел «Настройки мониторинга».

Сетка

Эта настройка позволяет отображать один из трех видов сетки («Трети», «Горизонт», «Крестик» и «Точка») на ЖК-экране, а также выбирать ее для вывода на HDMI-выход камеры.



Чтобы установить параметры сетки, коснитесь соответствующего значка после выбора настроек мониторинга на ЖК-экране

Этот инструмент облегчает построение композиции. Доступны четыре опции: трети, горизонт, крестик и точка.

Чтобы изменить вид сетки, коснитесь нужного значка в нижнем левом углу экрана на соответствующей вкладке.

Чтобы задать сетку для вывода на HDMI-выход камеры, выберите соответствующую опцию: «Трети», «Горизонт», «Крестик» или «Точка». С параметром «Трети» может одновременно использоваться «Горизонт», «Крестик» или «Точка», что позволяет создавать комбинации «Трети»+«Горизонт», «Трети»+«Крестик» и «Трети»+«Точка». Сетка по правилу третей автоматически масштабируется в соответствии с пропорциями кадра



Трети

Этот инструмент представляет собой сетку с двумя вертикальными и двумя горизонтальными полосами. С ее помощью кадр будет разделен на трети по вертикали и горизонтали. Считается, что лучше располагать важные части изображения вдоль этих линий или на их пересечении, потому что так улучшается зрительное восприятие. Например, уровень взгляда актера обычно выравнивают по горизонтальной линии, ограничивающей снизу верхнюю треть кадра. Данная функция также обеспечивает последовательность кадрирования между дублями.

Горизонт

Данный индикатор показывает, когда камера наклонена влево, вправо, вверх или вниз. Он помогает поддерживать камеру в горизонтальном положении как при съемке с рук, так и со стабилизатора.

Направление смещения светло-серой вертикальной линии от центрального темно-серого перекрестия показывает, в какую сторону горизонта наклонена камера. Когда камера опущена вниз или повернута вверх, светло-серая горизонтальная линия сдвигается соответственно вверх или вниз.

Расстояние отхода линий от центрального перекрестия пропорционально степени горизонтального или вертикального наклона. Если сенсор движения камеры откалиброван и камера совмещена с осями наклона, вертикальная и горизонтальная линии будут иметь синий цвет.

Если камеру наклонить прямо вниз для съемки сверху или направить вверх, индикатор горизонта примет это во внимание. При установке камеры в книжную ориентацию оси индикации повернутся на 90 градусов.

В таблице ниже приведены примеры индикации вертикального и горизонтального наклонов камеры.

Индикатор горизонта	Описание
	Ровно по вертикали и по горизонтали
	Наклон вниз, ровно по горизонтали
	Ровно по вертикали, наклон влево
	Наклон вверх и вправо

Для обычной съемки калибровка индикатора горизонта выполняется в вертикальном и горизонтальном положениях. Если для записи нужно использовать «голландский угол» или же получить вид снизу или сверху, индикатор горизонта можно откалибровать под наклоном. Подробнее см. раздел «Калибровка сенсора движения».

Крестик

При выборе этой опции в центре кадра отображается перекрестие. Как и сетка по правилу третей, оно облегчает создание композиции, помогая оператору разместить нужный объект строго по центру. Иногда такой способ используется во время съемки сцены, которая требует очень быстрого монтажа. В этом случае процесс редактирования видео значительно ускоряется.

Точка

При выборе этой опции в центре кадра отображается точка. Настройка выполняет ту же роль, что и перекрестие, но при этом имеет меньшие размеры.

СОВЕТ. О том, как включить эту функцию для сигнала на HDMI-выходе, см. раздел «Настройки мониторинга».

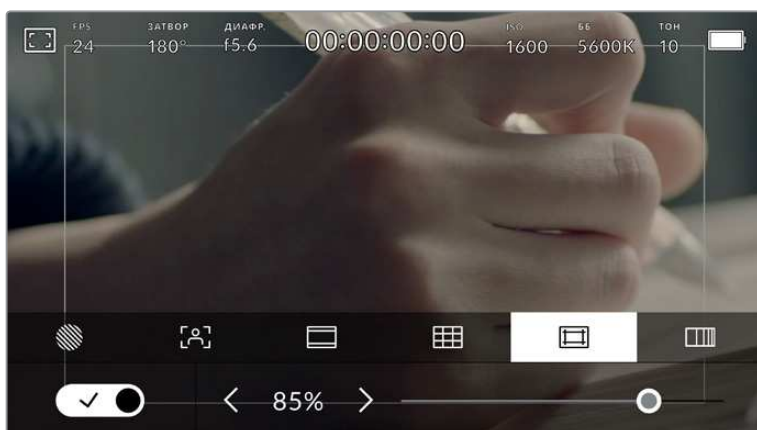
Границы изображения

Этот переключатель позволяет обозначать границы изображения на ЖК-дисплее, а также устанавливать их параметры для HDMI-выхода.

Подобная функция используется в телевизионном производстве для обозначения наиболее важной области, которую видят все зрители. С ее помощью можно избежать обрезки кадра при трансляции на некоторые телевизоры, а также оставить место для добавления

логотипов, титров и другой дополнительной информации. Большинство вещательных станций требуют, чтобы титры и графика находились в пределах области, составляющей 90% изображения.

Границы можно также использовать при кадрировании, если на этапе постпроизводства выполняется стабилизация изображения с обрезкой по краям. Кроме того, они помогают задать область нужного размера. Например, при настройке 50% во время съемки в Ultra HD с разрешением 3840x2160 это позволяет увидеть, каким получится видео 1920x1080. Границы изображения масштабируются в соответствии с выбранными рамками кадрирования.



Индикатор границ изображения с настройкой 85%

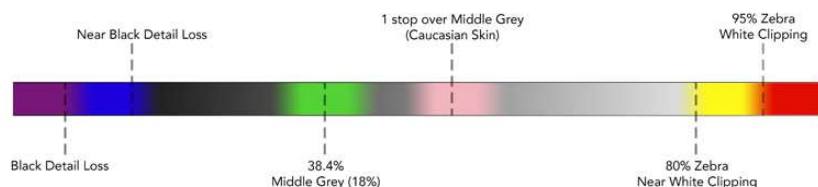
Для отображения границ на ЖК-дисплее коснитесь значка переключения в нижнем левом углу экрана на соответствующей вкладке. Чтобы задать значение для HDMI-выхода камеры, используйте правую и левую стрелки по краям текущего значения в нижней части дисплея. Еще один способ — перетащить слайдер влево или вправо.

Условный цвет

Переключатель условного цвета позволяет использовать инструмент, помогающий выбрать экспозицию.

Эта функция добавляет к изображению различные цвета, которые показывают уровень экспозиции для его отдельных элементов. Например, розовый является показателем оптимальной экспозиции для достоверной передачи кожного покрова европейцев, зеленый — для более темной кожи. Во время съемки людей подобная функция помогает обеспечить однородность изображения.

Если его элементы меняют цвет с желтого на красный, это означает избыточную экспозицию.



Шкала условного цвета

Для использования условного цвета коснитесь значка переключения в нижнем левом углу экрана на соответствующей вкладке.



Вкладка для работы с инструментом условного цвета

Кадровая частота

Этот индикатор показывает текущую частоту в кадрах в секунду.



Чтобы изменить настройку кадровой частоты, коснитесь значка FPS

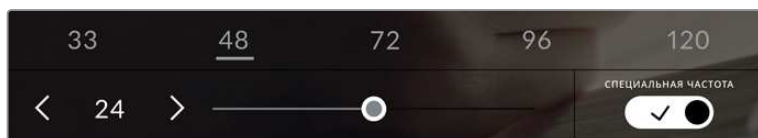
Если коснуться значка FPS, внизу ЖК-экрана откроется меню, с помощью которого можно изменить кадровую частоту сенсора и проекта.

Кадровая частота проекта

С этой частотой камера ведет запись. Данная настройка позволяет использовать традиционные для кино и ТВ кадровые частоты. Обычно выбирают такое, которое соответствует настройкам постобработки.

Доступны восемь настроек кадровой частоты проекта: 23,98; 24; 25; 29,97; 30; 50; 59,94 и 60 fps.

Чтобы изменить кадровую частоту проекта из меню FPS, коснитесь левой или правой стрелки рядом с текущим значением в нижнем левом углу ЖК-экрана. Еще один способ — перетащить слайдер влево или вправо.

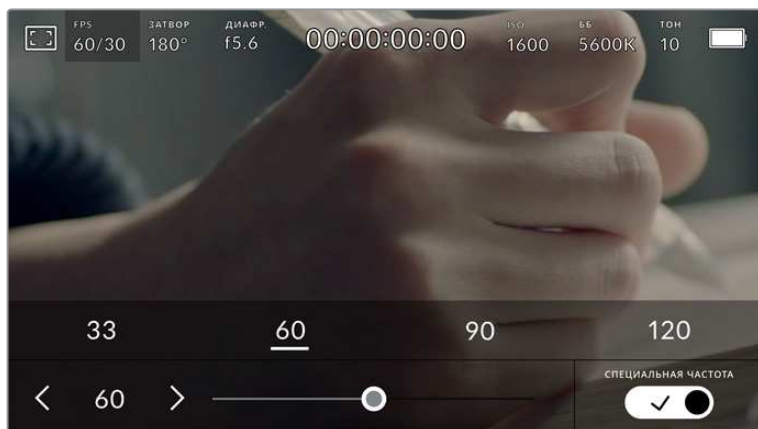


Для изменения кадровой частоты проекта коснитесь стрелки сбоку от текущего значения или перетащите слайдер

СОВЕТ. Кадровая частота проекта на Blackmagic Pocket Cinema Camera определяет аналогичную настройку на HDMI-выходе.

Кадровая частота сенсора

Это позволит выбрать фактическое количество кадров, записываемых в секунду. Кадровая частота сенсора влияет на скорость воспроизведения, которая определяется кадровой частотой проекта.



Для изменения параметра выберите одну из предлагаемых величин, коснитесь стрелки сбоку от текущего значения или перетащите слайдер (опция «СПЕЦИАЛЬНАЯ ЧАСТОТА» должна быть включена)

Чтобы скорость воспроизведения была обычной, по умолчанию устанавливаются одинаковые параметры кадровой частоты сенсора и проекта. При необходимости можно установить независимую кадровую частоту сенсора. Для этого коснитесь значка «СПЕЦИАЛЬНАЯ ЧАСТОТА» в правом нижнем углу меню FPS.

Чтобы изменить кадровую частоту сенсора, используйте стрелки рядом с текущим значением либо перетащите слайдер влево или вправо. После изменения параметра отпустите слайдер. Сверху слайдера доступны для выбора стандартные величины специальной частоты, определяемые текущей кадровой частотой проекта.

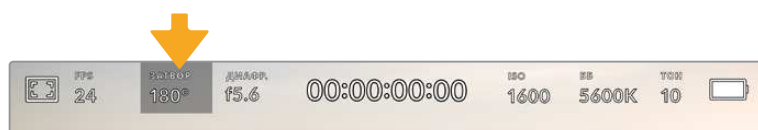
Изменяя настройки кадровой частоты сенсора, можно создавать различные эффекты движения. Если значение выше аналогичной частоты проекта, во время воспроизведения материал будет выглядеть как замедленная съемка. Например, съемка с кадровой частотой сенсора 60 fps и воспроизведение с 24 fps приводит к замедлению движения на экране на 40% от реальной скорости. Чем ниже кадровая частота сенсора, тем выше скорость клипов при просмотре. Принцип действия такой же, как ускорение или замедление работы пленочной кинокамеры. В первом случае происходит ускорение кадровой частоты сенсора, что позволяет растянуть отдельные моменты видео для усиления эмоционального эффекта. Во втором случае замедление частоты сенсора ведет к увеличению скорости воспроизведения в сценах быстрого развития событий. Благодаря этой функции потенциал творческих решений станет практически безграничным.

Значения максимальной кадровой частоты для каждого кодека и разрешения приведены в таблице раздела «Запись».

ПРИМЕЧАНИЕ. При выборе опции «СПЕЦИАЛЬНАЯ ЧАСТОТА» камера перестает выполнять синхронизацию звука и изображения. Она отсутствует и в том случае, когда для проекта и сенсора выбрана одинаковая кадровая частота. По этой причине рекомендуется не использовать данную настройку, если нужно гарантировать синхронизацию аудио и видео.

Затвор

Индикатор «ЗАТВОР» показывает угол раскрытия или скорость раскрытия затвора. С его помощью можно вручную изменить это значение или установить приоритет затвора в режимах автоматической экспозиции. На камере для данной настройки предусмотрено два способа расчета и отображения. Подробнее см. раздел «Основные настройки».



Для доступа к настройкам затвора коснитесь соответствующего индикатора

Настройка «Угол затвора» или «Выдержка» определяет уровень размытости движущихся объектов и используется для поправки на условия освещения. В большинстве случаев оптимальный угол составляет 180 градусов, что соответствует выдержке 1/50 с. При изменении освещенности или при более высокой динамике может потребоваться корректировка этого значения.

Например, при угле 360 градусов на сенсор попадает максимальное количество света. Такая настройка позволяет получать хорошие результаты при слабом освещении и незначительном движении объектов. Если же вы работаете над сценами с высокой динамикой, угол раскрытия около 90 градусов позволит свести к минимуму эффект размытости и получить резкое изображение. Соответствующая выдержка затвора зависит от используемой кадровой частоты.

Так, при съемке с частотой 25 кадров/с угол 360 градусов = 1/25 с, 90 градусов = 1/100 с.

ПРИМЕЧАНИЕ. Мерцание может возникать при определенных параметрах затвора во время съемки с искусственным освещением. Blackmagic Pocket Cinema Camera автоматически определяет варианты настройки, которые помогут избежать этого при текущей кадровой частоте. Три из них отображаются в нижней части сенсорного экрана во время коррекции значения. Они зависят от частоты сети питания в вашем регионе. В меню Setup предусмотрены две опции частоты: 50 Гц и 60 Гц. Подробнее см. раздел «Основные настройки».

Если коснуться индикатора «ЗАТВОР», внизу экрана откроется меню для изменения этого параметра. Если автоматическая экспозиция выключена, будет показано текущее значение затвора и варианты, которые позволяют избежать мерцания (на основе частоты питающей сети, установленной в меню «НАСТРОЙКА»). Подробнее см. раздел «Основные настройки».

ПРИМЕЧАНИЕ. Отдельные источники света могут вызывать мерцание при любых значениях затвора. Рекомендуется предварительно выполнить съемку в тестовом режиме.

Чтобы не допустить мерцания, коснитесь необходимого значения затвора. Для перехода между параметрами выдержки используйте стрелки на любой из сторон текущей настройки.



Камера рассчитывает значения затвора с отсутствием мерцания на основе настроек питания в меню «НАСТРОЙКА»

При съемке вне павильона или использовании немерцающего освещения можно вручную выбрать параметры затвора, дважды коснувшись текущего значения в нижнем левом углу экрана. После этого откроется клавиатура, позволяющая задать настройку от 5 до 360 градусов.



Цифровая клавиатура позволяет вручную установить угол раскрытия затвора при съемке вне павильона или использовании немерцающего освещения

Blackmagic Pocket Cinema Camera имеет три режима автоматической экспозиции с разным использованием угла затвора. Чтобы выбрать один из них, коснитесь кнопки «АВТОМ. ЭКСПОЗИЦИЯ» в правой части меню «ЗАТВОР».

Затвор

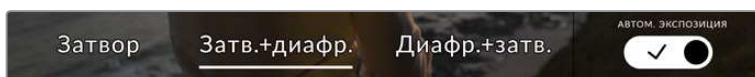
Настройка затвора устанавливается автоматически для поддержания постоянной экспозиции при заданной диафрагме. Это помогает сохранять фиксированную глубину резкости. Нужно помнить, что автоматическая настройка затвора может повлиять на уровень размытости и добавить мерцание от приборов освещения при съемке в помещении. При работе в этом режиме недоступна функция автоматической настройки диафрагмы.

Затвор + диафрагма

Сохраняет необходимый уровень экспозиции путем изменения настройки затвора, затем — значения диафрагмы. Если по достижении максимального или минимального значения затвора экспозиция не является стабильной, начнется коррекция диафрагмы.

Диафрагма + затвор

Сохраняет необходимый уровень экспозиции путем изменения диафрагмы, затем — значения затвора. Если по достижении максимального или минимального значения диафрагмы экспозиция не является стабильной, начнется коррекция настройки затвора.

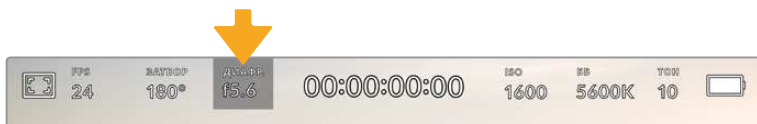


Чтобы выбрать один из режимов автоматической экспозиции, коснитесь значка «АВТОМ. ЭКСПОЗИЦИЯ» в меню «ЗАТВОР»

СОВЕТ. Когда активирована автоматическая экспозиция с использованием настройки затвора или диафрагмы, вверху сенсорного экрана рядом с соответствующим индикатором отображается буква "А".

Диафрагма

Индикатор «ДИАФР.» показывает текущее значение диафрагмы. С его помощью можно изменить диафрагму совместимых объективов и выбрать режимы автоматической экспозиции, в которых используется данная настройка.



Для доступа к настройкам диафрагмы коснитесь индикатора «ДИАФР.»

ПРИМЕЧАНИЕ. Для управления диафрагмой с сенсорного экрана камеры необходимо установить объектив с поддержкой данной функции.

Если коснуться индикатора «ДИАФР.», внизу экрана откроется меню для настройки этого параметра. В левом углу отображается текущее значение диафрагмы. Чтобы изменить его, используйте стрелки либо перетащите слайдер влево или вправо.



Настройки диафрагмы можно изменить в меню «ДИАФР.» с помощью стрелок или слайдера

Значок «АВТОМ. ЭКСПОЗИЦИЯ» в правой части меню позволяет выбрать режим автоматической экспозиции с разным использованием диафрагмы.

Доступны три опции.

Диафрагма

Значение диафрагмы устанавливается автоматически для поддержания постоянной экспозиции при заданном угле затвора. Уровень размытости движения не меняется, однако это может повлиять на глубину резкости.

Дифрагма + затвор

Сохраняет необходимый уровень экспозиции путем изменения диафрагмы, затем — значения затвора. Если по достижении максимального или минимального значения диафрагмы экспозиция не является стабильной, начнется коррекция настройки затвора.

Затвор + диафрагма

Сохраняет необходимый уровень экспозиции путем изменения настройки затвора, затем — значения диафрагмы. Если по достижении максимального или минимального значения затвора экспозиция не является стабильной, начнется коррекция диафрагмы.



Чтобы получить доступ к режимам автоматической экспозиции с использованием диафрагмы, коснитесь значка «АВТОМ. ЭКСПОЗИЦИЯ»

СОВЕТ. Когда активирована автоматическая экспозиция с использованием настройки диафрагмы или затвора, вверху сенсорного экрана рядом с соответствующим индикатором отображается буква "А".

Продолжительность записи

Вверху сенсорного экрана камеры есть индикатор, показывающий продолжительность записи.



Во время записи индикатор продолжительности становится красным

Продолжительность записи отображается как тайм-код, который можно использовать для мониторинга при сохранении и воспроизведении. Он показывает длительность каждого клипа (часы:минуты:секунды:кадры) и изменяется в динамическом режиме во время работы. При записи цвет индикатора становится красным.

Отображаемая продолжительность записи начинается со значения 00:00:00:00. На дисплее выводится длительность текущего, то есть самого последнего видео. Для облегчения постпроизводства тайм-код также содержит дату.

Чтобы отобразить тайм-код, коснитесь индикатора продолжительности. Для возврата к обычному виду коснитесь индикатора еще раз.

Дополнительные обозначения, выводимые вместе с индикатором продолжительности

W

Отображается слева от индикатора продолжительности, когда Blackmagic Pocket Cinema Camera ведет съемку в ограниченном режиме использования сенсора.

TC

Отображается справа от индикатора продолжительности при выводе тайм-кода.

EXT

Отображается справа от индикатора продолжительности при вводе действительного тайм-кода LTC и подключении внешнего устройства через стереоразъем 3,5 мм.

INT

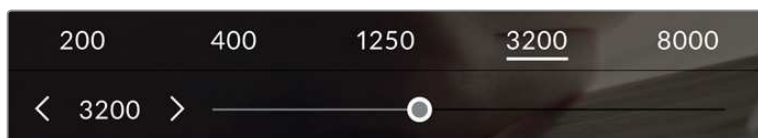
Отображается справа от индикатора продолжительности, когда камера использует внутренний тайм-код после синхронизации по внешнему устройству и его отключения.

ISO

Индикатор ISO показывает текущее значение световой чувствительности. Коснитесь индикатора, чтобы изменить эту настройку.



Для изменения настройки коснитесь индикатора ISO



После открытия меню ISO внизу экрана отображаются настройки этого параметра. Слайдер позволяет изменить ISO с шагом 1/3 ступени.

В зависимости от конкретных условий съемки можно выбрать более высокое или низкое значение ISO. Например, для слабого освещения подойдет настройка ISO 25 600, хотя при ее использовании вероятно появление заметного цифрового шума. При ярком освещении для передачи насыщенных цветов лучше всего подойдет значение ISO 100.

Два базовых значения ISO

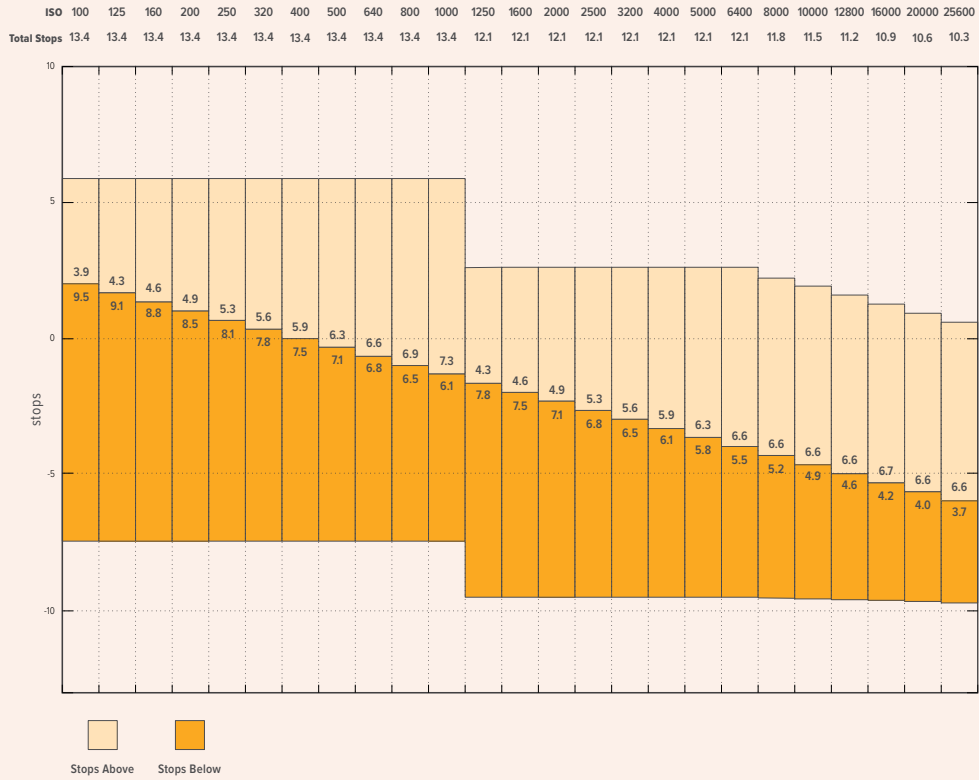
Blackmagic Pocket Cinema Camera имеет два базовых значения ISO 400 и 3200, поэтому сенсор позволяет получать хороший материал как в условиях слабого освещения, так и при ярком дневном свете.

Чтобы получить чистое изображение с минимальным цифровым шумом, выберите нужную настройку ISO.

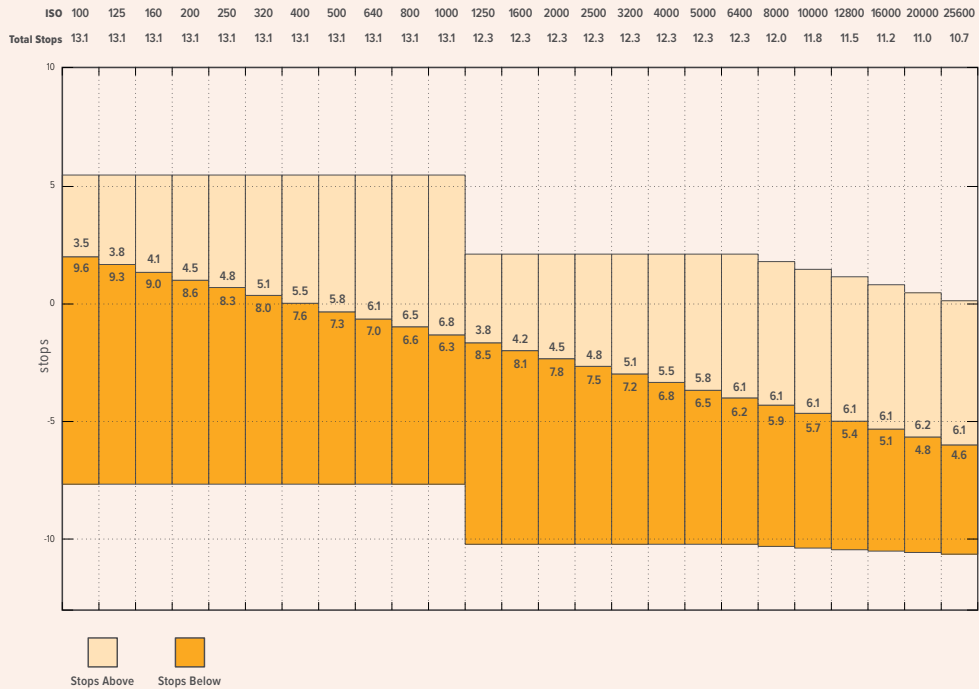
При ISO от 100 до 1000 в качестве контрольного служит базовое значение ISO 400, для ISO 1250-25600 — ISO 3200. Если освещение позволяет использовать ISO 1000 или 1250, рекомендуется установить диафрагму на один шаг ниже и установить ISO на 1250. В этом случае качество конечного изображения будет лучше.

В таблице ниже показана зависимость между ISO и динамическим диапазоном.

Blackmagic Pocket Cinema Camera 6K: динамический диапазон

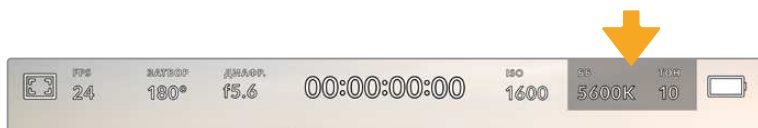


Blackmagic Pocket Cinema Camera 4K: динамический диапазон



Баланс белого


Индикаторы «ББ» и «ТОН» отображают текущие настройки баланса белого и оттенка. Чтобы изменить настройки в соответствии с условиями освещения, коснитесь нужного из них.



Для изменения настроек баланса белого и оттенка коснитесь соответствующего индикатора

Каждый источник света излучает какой-либо цвет. Например, пламя свечи будет источником теплого цвета, а облачное небо — холодного. Настройки «ББ» используют для цветовой балансировки изображений, чтобы получить белый цвет за счет смешивания в разном соотношении оранжевого и синего. Так, вольфрамовые лампы излучают теплый оранжевый свет, поэтому при выборе температуры 3200K будет добавлено некоторое количество синего. Это обеспечивает баланс цветов и корректную запись белого.

Blackmagic Pocket Cinema Camera имеет несколько настроек баланса белого для разных условий освещения. Варианты настройки:

	Яркий солнечный свет	(5600K)
	Лампы накаливания	(3200K)
	Флуоресцентные лампы	(4000K)
	Смешанный свет	(4500K)
	Облачный день	(6500K)

Любую из этих настроек можно скорректировать с помощью стрелок рядом со значением температуры в нижнем левом углу меню «ББ». При каждом нажатии температура увеличивается или уменьшается на 50K, а при удерживании стрелки она будет меняться с ускорением. Еще один способ — передвинуть слайдер в середине меню «ББ».

Для дополнительной балансировки цвета можно использовать настройку «ТОН». Она позволяет корректировать соотношение зеленого и пурпурного. Например, добавление небольшого количества пурпурного цвета помогает компенсировать избыток зеленого, который дают флуоресцентные лампы. Многие настройки баланса белого обеспечивают незначительное изменение оттенка.



Камера позволяет выбрать одну из пяти настроек баланса белого, а также имеет индикатор этого значения вместе со слайдером (слева) и показывает уровень оттенка (справа). Эти инструменты можно использовать для коррекции баланса белого в соответствии с условиями освещения.

При открытии меню «ББ» текущее значение оттенка отображается в нижнем правом углу экрана. Изменить этот уровень можно с помощью стрелок слева и справа от индикатора. Доступный диапазон: от -50 до +50 с шагом в одну единицу. Если стрелку удерживать, значение будет меняться быстрее.

ПРИМЕЧАНИЕ. При пользовательской настройке баланса белого или оттенка на экране отображается значок CWB. Она сохраняется в памяти при отключении питания и при переходе к предустановленным параметрам. Это позволяет сравнивать результат, полученный в двух разных случаях.

Автоматическая настройка баланса белого

На Blackmagic Pocket Cinema Camera баланс белого можно установить автоматически. Если коснуться значка AWB, откроется соответствующий экран.

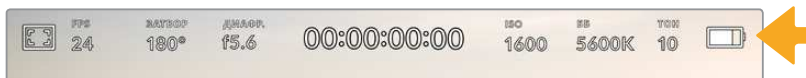
При автоматической установке баланса белого по центру изображения появится квадратная рамка. Наведите эту рамку на нейтральную поверхность (картон белого или серого цвета) и нажмите «Обновить ББ». Камера выполнит автоматическую настройку баланса белого и оттенка с максимально возможным усредненным значением внутри рамки. После обновления эта настройка будет работать как пользовательская. Если в течение трех секунд удерживать нажатой кнопку WB на верхней панели камеры, это также активирует автоматическую установку баланса белого.



Значок AWB в меню «ББ» позволяет открыть экран для автоматической установки баланса белого. С помощью поверхности белого или серого цвета можно задать пользовательское значение с нейтральным уровнем.

Питание

В правом верхнем углу ЖК-экрана отображаются состояние аккумулятора и источник питания камеры.



При использовании питания от аккумулятора коснитесь индикатора батареи для переключения режимов отображения

	Переменный ток	Отображается при подключении камеры к питанию от сети.
	Переменный ток и зарядка	Отображается при подключении камеры к питанию от сети и одновременной зарядке съемного аккумулятора LP-E6 или батарей NP-F570 в рукоятке Blackmagic Pocket Camera Battery Grip.
	Проценты	Если аккумулятор поддерживает данную функцию, на дисплее будет показан оставшийся заряд батареи в процентах с шагом 1%. Когда уровень заряда опускается до 20%, батарея загорается красным цветом. Чтобы скрыть отображение заряда в процентах, коснитесь значка батареи.



Секции батарей

Показывает состояние установленного на камеру аккумулятора с шагом 25%. Когда уровень заряда опускается до 20%, батарея загорается красным цветом.



Секции батарей рукоятки

Если к камере присоединена рукоятка Blackmagic Pocket Camera Battery Grip, этот индикатор позволяет следить за состоянием каждой из батарей.

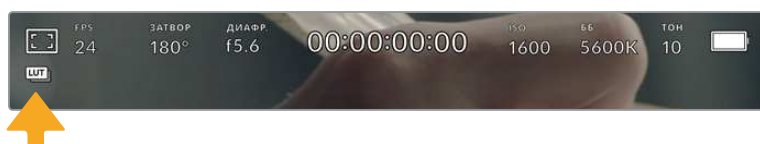


Напряжение от источника питания

Показывает напряжение от аккумулятора, блока постоянного тока, переходного кабеля D-tap или собственной системы электропитания. Чтобы скрыть отображение напряжения, коснитесь значка батареи.

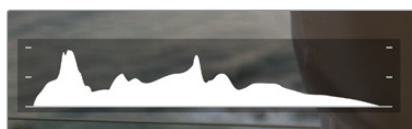
Индикатор LUT

При использовании LUT-таблицы для предварительного просмотра видео в верхнем левом углу экрана отображается соответствующий значок.



Гистограмма

В нижнем левом углу ЖК-экрана отображается гистограмма. Она показывает контраст между темными и светлыми тонами на горизонтальной шкале.



Гистограмма показывает распределение оттенков изображения от темных тонов к светлым. Она является полезным инструментом для проверки экспозиции и предотвращения засветки.

С левой стороны отображаются темные тона, с правой — светлые. При раскрытии или закрытии диафрагмы гистограмма будет отображать изменение настройки. С ее помощью можно добиться корректного отображения темных и светлых тонов. Если вместо плавного понижения кривая резко обрывается слева или справа, это говорит об утрате детализации в одной из областей.

ПРИМЕЧАНИЕ. Гистограмма не будет отображаться на дисплее, если для мониторинга с помощью ЖК-экрана выбрана настройка «Кодек и разрешение». Подробнее см. раздел «Настройки мониторинга».

Кнопка записи

Внизу экрана, рядом с гистограммой, есть кнопка серого цвета. Она предназначена для работы с функцией записи. Чтобы начать запись, нажмите кнопку один раз, чтобы остановить — еще один раз. Во время записи эта кнопка, индикатор накопителя и тайм-код в верхней части экрана горят красным.



Кнопка записи рядом с индикаторами накопителя внизу сенсорного экрана



Во время записи кнопка горит красным

Работа с LUT-таблицами

Если на странице «ЗАПИСЬ» выбрано применение LUT-таблиц к сохраненным клипам, на экране в режимах ожидания и записи отображается соответствующий значок.



Значок LUT обозначает то, что вместе с записанным клипом будет сохранена выбранная таблица



Значок LUT отображается во время записи таблицы вместе с изображением

Индикация пропущенных кадров

Если во время сохранения камера начинает пропускать кадры, внутри кнопки записи отображается мигающий восклицательный знак. В таких случаях индикатор оставшегося времени и его значение для соответствующей карты показаны красным цветом. Это позволяет узнать, какая карта является недостаточно скоростной для выбранного кодека и разрешения. Индикация также выводится при наличии пропущенных кадров в последнем записанном клипе. Она отображается до сохранения следующего клипа или до тех пор, пока не отключено питание камеры. Подробнее о съемке без пропуска кадров см. разделы «Выбор карты CFast 2.0» и «Выбор карты SD».



Индикация пропущенных кадров на карте CFast

ПРИМЕЧАНИЕ. Чтобы избежать сохранения непригодного для дальнейшего использования материала, на Blackmagic Pocket Cinema Camera можно выбрать опцию остановки записи при обнаружении пропущенных кадров. Подробнее см. раздел «Настройки записи».

Оставшееся время записи

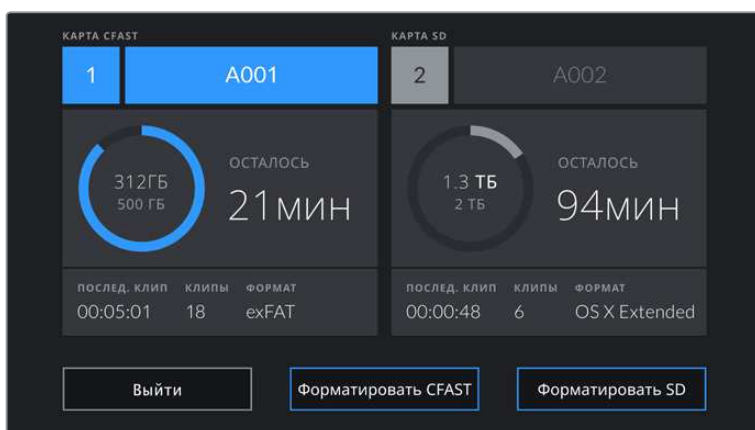
После того, как в камеру вставлены карты CFast, SD или флеш-накопитель USB-C, индикаторы носителя внизу сенсорного экрана показывают оставшееся время записи. Оно отображается в минутах и варьируется в зависимости от частоты кадров и кодека. При изменении любых настроек происходит автоматический перерасчет этого параметра. Когда до конца записи останется пять минут, индикатор загорится красным цветом, а за две минуты до окончания начнет мигать. При заполнении карты на дисплей выводится сообщение «ПОЛН.».



Индикатор носителя показывает имя накопителя (CFast, SD или USB-C), а также оставшееся время записи в минутах

Над оставшимся временем записи также отображается имя карты. Синим цветом указан носитель, на который ведется запись. Чтобы перейти на другой накопитель, выберите его имя и удерживайте нажатой соответствующую кнопку. Во время записи индикатор становится красным.

Если коснуться индикатора накопителя, откроется меню форматирования и настроек сохранения.



Чтобы открыть панель параметров сохранения, коснитесь индикаторов CFast на сенсорном экране

Это меню показывает свободный объем на карте CFast, SD или флеш-накопителе USB-C, имена носителей, продолжительность последнего клипа, общее количество клипов и файловый формат.

С помощью меню можно выполнить форматирование накопителя. Подробнее см. раздел «Подготовка накопителя к записи».

СОВЕТ. Коснитесь имени накопителя в меню настроек сохранения, чтобы выбрать его для текущей работы. В этом случае он будет использоваться первым.

Индикация звука

Этот индикатор показывает уровни звука для каналов 1 и 2 при использовании встроенного микрофона или подключении внешнего аудиооборудования. На дисплее уровень отображается в dBFS, при этом максимальные значения фиксируются на короткое время для облегчения их зрительного восприятия.

Чтобы получить качественную звуковую дорожку, значения сигнала должны быть ниже 0 dBFS. В случае превышения этого уровня возникает перегрузка, и аудиосигнал искажается.



Трехцветный индикатор показывает пиковые значения звука. Оптимальным будет уровень, при котором значения находятся в границах зеленого сегмента. Если пиковая величина попадает в желтый или красный сегмент, звук будет иметь погрешности.

Коснитесь индикатора звука, чтобы увеличить громкость для каналов 1 и 2, наушников и динамика.



Для изменения настроек громкости коснитесь индикаторов звука на сенсорном экране

Зуммирование двойным касанием

Любую область изображения, просматриваемого на экране Blackmagic Pocket Cinema Camera, можно увеличить двойным касанием. После этого изображение будет доступно для навигации так же, как на любом сенсорном экране. Эта функция особенно полезна для проверки фокуса. Чтобы вернуться к обычному режиму, еще раз дважды коснитесь экрана.

Зуммирование разведением пальцев

Изменять степень зуммирования на сенсорном ЖК-экране можно сведением и разведением пальцев. Это не влияет на вывод через HDMI.

Для увеличения изображение в два раза коснитесь сенсорного экрана дважды или нажмите кнопку зуммирования на задней панели камеры. Чтобы изменить масштаб дальше, разведите пальцы на экране. Увеличенный участок можно перемещать сдвигом пальцев. Возврат к стандартному увеличению выполняется двойным касанием экрана или нажатием кнопки зуммирования.

При двойном касании экрана или нажатии кнопки зуммирования происходит переключение между предыдущим уровнем увеличения и полным изображением. Например, при каждом двойном касании масштаб восьмикратно увеличенного изображения будет меняться на обычный и обратно.

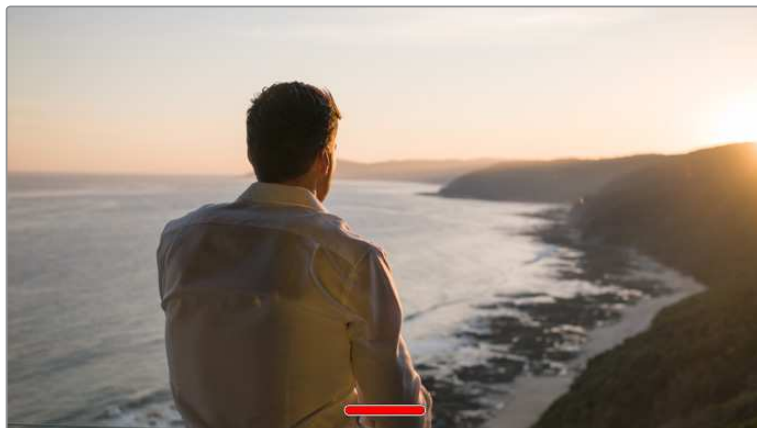
Выбор участка фокусировки

Для установки фокуса на любом участке изображения достаточно прикоснуться к нему и удерживать палец некоторое время на ЖК-дисплее камеры. Затем нажмите кнопку фокусировки. Для сброса настройки и возврата к фокусировке по центру нажмите кнопку дважды.

Полноэкранный режим

Для удобства кадрирования и фокусировки иногда требуется временно скрыть служебную информацию и индикаторы на сенсорном экране. Для этого проведите пальцем вверх или вниз по ЖК-дисплею. Индикатор записи, рамки кадрирования, сетка, зебра и инструмент помощи при фокусировке будут по-прежнему видны.

Для возврата к показу служебной информации снова проведите пальцем по экрану.



Чтобы скрыть всю служебную информацию, проведите пальцем по сенсорному экрану

Меню воспроизведения

Чтобы открыть меню воспроизведения, коснитесь соответствующей кнопки. Для просмотра записанных клипов можно использовать как кнопки управления, так и сенсорный экран.

При использовании сенсорного экрана коснитесь кнопки воспроизведения, чтобы начать просмотр. Для постановки на паузу нажмите кнопку еще раз. Для перехода к началу или концу клипа служат кнопки ускоренной перемотки. Выберите кнопку ускоренной перемотки вперед, чтобы перейти к следующему клипу. Для перехода к началу текущего клипа нажмите кнопку обратной перемотки один раз, для перехода к началу предыдущего клипа — два раза. Чтобы воспроизвести клипы в циклическом режиме, коснитесь соответствующего значка.



Значки перемотки назад и вперед, воспроизведения и циклического режима

Чтобы выполнить ускоренную перемотку, нажмите и удерживайте соответствующую кнопку. В этом случае клип будет воспроизведен с удвоенной скоростью в прямом или обратном направлении.

После перехода в режим ускоренного воспроизведения его скорость можно изменить. При каждом прикосновении к кнопкам управления воспроизведением в одном и том же направлении скорость увеличивается вдвое. Максимальная скорость воспроизведения — в 16 раз быстрее по сравнению с нормальной. При ее достижении во время следующего нажатия кнопки выполняется переход к 2-кратному значению. При каждом прикосновении к кнопкам управления воспроизведением в противоположном направлении скорость снижается вдвое до тех пор, пока она не достигнет 2-кратного значения. Чтобы вернуться к обычному режиму, нажмите кнопку воспроизведения.



Индикатор ускоренной перемотки показывает скорость и направление воспроизведения

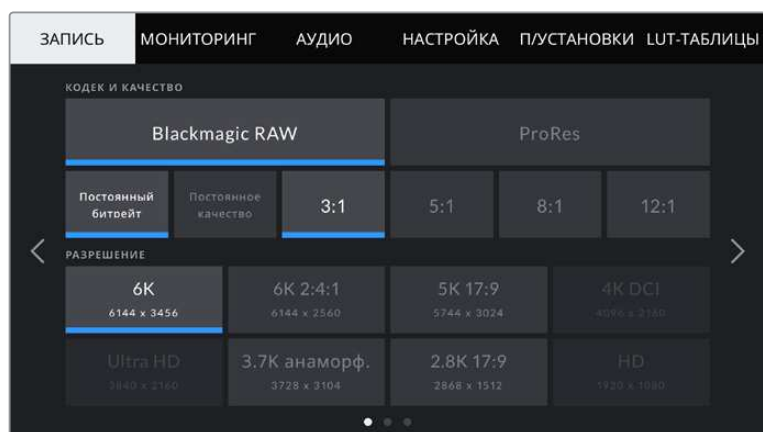
Если во время воспроизведения нажать кнопку записи, камера перейдет в режим ожидания.

СОВЕТ. Чтобы во время просмотра видео скрыть служебную информацию, проведите пальцем вверх или вниз по сенсорному экрану камеры. Если во время воспроизведения перейти на табличку данных, текущему клипу можно присвоить помету «Хороший дубль». Подробнее см. раздел о вводе метаданных.

Настройки

Панель инструментов

Нажмите кнопку MENU, чтобы открыть панель инструментов камеры. Настройки этого меню недоступны с сенсорного экрана. Они сгруппированы по функциональному признаку и объединены на нескольких вкладках: «ЗАПИСЬ», «МОНИТОРИНГ», «АУДИО», «НАСТРОЙКА», «ПУ/УСТАНОВКИ» и «LUT-ТАБЛИЦЫ». Каждая вкладка имеет несколько страниц, для перехода между которыми можно использовать стрелки по краям экрана или прокрутку.



Экранная панель инструментов камеры содержит вкладки «ЗАПИСЬ», «МОНИТОРИНГ», «АУДИО», «НАСТРОЙКА», «ПУ/УСТАНОВКИ» и «LUT-ТАБЛИЦЫ»

Настройки записи

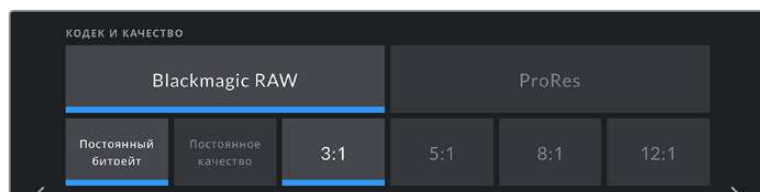
Вкладка «ЗАПИСЬ» позволяет выбрать формат видео, кодек и разрешение, а также задать другие настройки записи, такие как динамический диапазон и уровень резкости.

Вкладка «ЗАПИСЬ» (стр. 1)

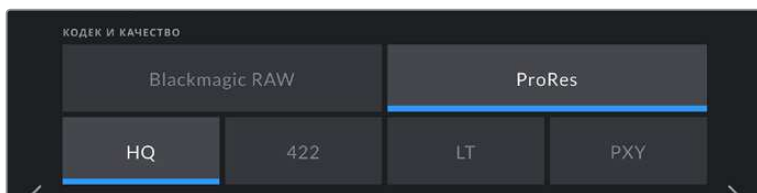
Первая страница вкладки «ЗАПИСЬ» содержит перечисленные ниже настройки.

Кодек и качество

Это меню разбито на две секции. В верхней секции можно выбрать один из видов кодека (Blackmagic RAW или Apple ProRes), в нижней — необходимый уровень качества. Например, для ProRes предусмотрены опции ProRes 422 HQ, ProRes 422, ProRes 422 LT и ProRes 422 Proxy, для Blackmagic RAW — запись с постоянным битрейтом (четыре варианта) или с постоянным качеством (два варианта).



Опции Blackmagic RAW при выборе кодека и качества

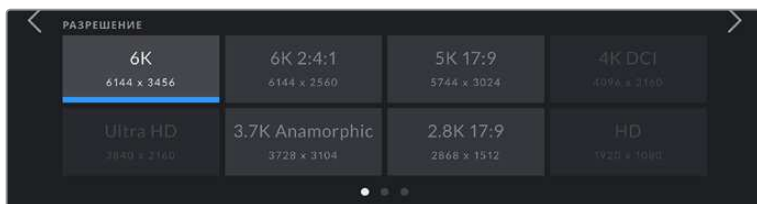


Опции ProRes при выборе кодека и качества

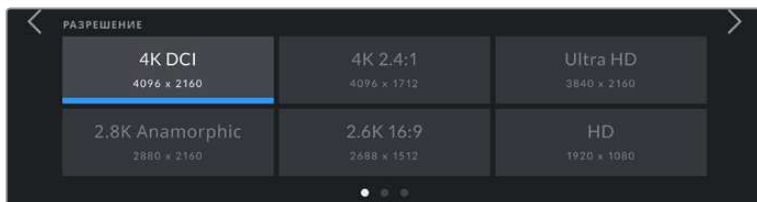
СОВЕТ. Использование кодеков с более высокой компрессией позволяет увеличить продолжительность записи на Blackmagic Pocket Cinema Camera. Подробнее см. таблицу в разделе «Запись».

Разрешение

Эта настройка используется вместе с настройкой кодека. Выберите разрешение для нужного формата записи. Например, если нужно записать Ultra HD-видео в ProRes HQ, в секции «КОДЕК И КАЧЕСТВО» выберите настройки ProRes и HQ. После этого в секции «РАЗРЕШЕНИЕ» выберите настройку Ultra HD.



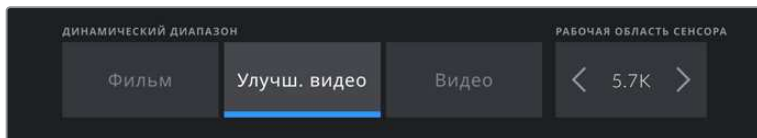
Опции разрешения на Pocket Cinema Camera 6K при использовании кодека Blackmagic RAW



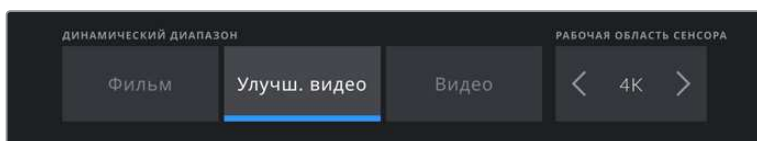
Опции разрешения на Pocket Cinema Camera 4K. Обратите внимание на то, что в формате 4K DCI категория называется «РАЗРЕШЕНИЕ», а в других форматах — «РАЗРЕШЕНИЕ И РЕЖИМ СЕНСОРА».

Вкладка «ЗАПИСЬ» (стр. 2)

Вторая страница вкладки «ЗАПИСЬ» содержит перечисленные ниже опции.



Опции категории «ДИНАМИЧЕСКИЙ ДИАПАЗОН» и «РАБОЧАЯ ОБЛАСТЬ СЕНСОРА» на Pocket Cinema Camera 6K



Опции категории «ДИНАМИЧЕСКИЙ ДИАПАЗОН» и «РАБОЧАЯ ОБЛАСТЬ СЕНСОРА» на Pocket Cinema Camera 4K

Динамический диапазон

Настройку параметра «ДИНАМИЧЕСКИЙ ДИАПАЗОН» выполняют касанием соответствующего значка. Blackmagic Pocket Cinema Camera имеет три возможные опции.

Фильм	В этом режиме используется логарифмическая кривая с наиболее широким динамическим диапазоном. При такой настройке изображение сохраняет полный объем данных, что позволяет добиться наилучшего результата при цветокоррекции в системах класса DaVinci Resolve.
Улучш. видео	Этот динамический диапазон занимает промежуточное положение между «Видео» и «Фильм». Он шире, чем в режиме «Видео», и характеризуется мягкой контрастностью с плавными переходами в светлых зонах. Настройка «Улучш. видео» подходит для использования с обычными вещательными мониторами и при постпроизводстве в ограниченных временных рамках.
Видео	В режиме видео съемка ведется на основе стандарта REC709, который предназначен для телевидения высокого разрешения. Это позволяет ускорить производство путем прямого сохранения в форматах со сжатием, цветовое пространство которых требует минимальной постобработки.

ПРИМЕЧАНИЕ. При записи в кодеках Blackmagic RAW и ProRes в режиме «Фильм» изображение будет выглядеть на сенсорном экране тусклым и малонасыщенным, потому что файл содержит данные, которые еще не обработаны для вывода на обычный дисплей. Чтобы имитировать стандартную контрастность, при сохранении в этом режиме к видео на HDMI-выходе можно применять LUT-таблицу. Подробнее см. раздел «3D LUT-таблицы».

Рабочая область сенсора

Камеру можно настроить для работы с сенсором в полном или ограниченном режиме. Во втором случае вместо изменения масштаба используются только те пиксели, которые требуются для создания видео в выбранном формате. Некоторые форматы можно получить как путем ограничения окна сенсора, так и уменьшения разрешения. Модель Pocket Cinema Camera 6K, например, создает HD-изображение за счет снижения числа пикселей полноразмерного материала, а также ограниченного формата 5.7K и 2.7K.

Так как в ограниченном режиме используется только центральная часть сенсора, из-за урезанного размера поле зрения будет меньше. Например, объектив 20 мм при записи HD-видео в таком режиме имеет поле зрения, которое дают объективы 40 мм.

Настройка «РАБОЧАЯ ОБЛАСТЬ СЕНСОРА» доступна при съемке с разрешением ниже максимального значения камеры, например Ultra HD или HD ProRes.

На Pocket Cinema Camera 6K самая высокая кадровая частота возможна при съемке с ограниченным сенсором в 2.8K 17:9 и в HD при снижении с 2.7K, а на 4K-модели — при записи в режиме 2.6K 16:9 и с ограниченным сенсором в HD.

Подробнее о полноразмерных и ограниченных форматах см. раздел «Максимальная кадровая частота сенсора».

Кадровая частота проекта

Настройка позволяет задать традиционную для кино и ТВ частоту кадров, например 23,98 fps. Обычно выбирают значение, которое соответствует скорости воспроизведения и звукового сопровождения в приложении постобработки.

Доступны восемь настроек кадровой частоты проекта: 23,98; 24; 25; 29,97; 30; 50; 59,94 и 60 fps.

Изменение скорости записи

Чтобы скорость воспроизведения была обычной, по умолчанию устанавливаются одинаковые параметры кадровой частоты сенсора и проекта. При выборе опции «ИЗМЕНЕНИЕ СКОРОСТИ ЗАПИСИ» можно задать независимую величину.

Специальная частота

Когда включена настройка «СПЕЦИАЛЬНАЯ ЧАСТОТА», для изменения кадровой частоты сенсора коснитесь соответствующей стрелки рядом с текущим значением.

Это позволит выбрать фактическое количество кадров, записываемых в секунду, и повлияет на скорость воспроизведения видео при заданной кадровой частоте проекта.

Подробнее о работе со специальной кадровой частотой см. главу «Кадровая частота» в разделе «Функции сенсорного экрана».

ПРИМЕЧАНИЕ. Подробнее о максимальной кадровой частоте форматов и кодеков см. таблицы в разделе «Максимальная кадровая частота сенсора».

Предпочитаемая карта для записи

Эта настройка позволяет выбрать карту, которая при наличии накопителей в обоих слотах будет использоваться первой. Возможные опции: «Карта CFast», «Карта SD» и «Самая полная». При выборе одной из первых двух опций следует помнить, что их последовательное использование позволяет упорядочить работу оператора. В этом случае он всегда будет знать, какую карту менять первой. Опция «Самая полная» обеспечивает систематизацию файлов в хронологическом порядке при съемке проекта с помощью одной камеры.

Заданная настройка применяется после установки карты CFast или SD. Чтобы отменить ее, откройте панель параметров сохранения и выберите в качестве активной другую карту. Следует помнить, что после извлечения и повторной установки карт будет вновь использоваться текущая настройка «ПРЕДПОЧИТАЕМАЯ КАРТА ДЛЯ ЗАПИСИ».

СОВЕТ. Настройка «Самая полная» использует оценку заполнения в процентном отношении, а не по объему сохраненных данных.

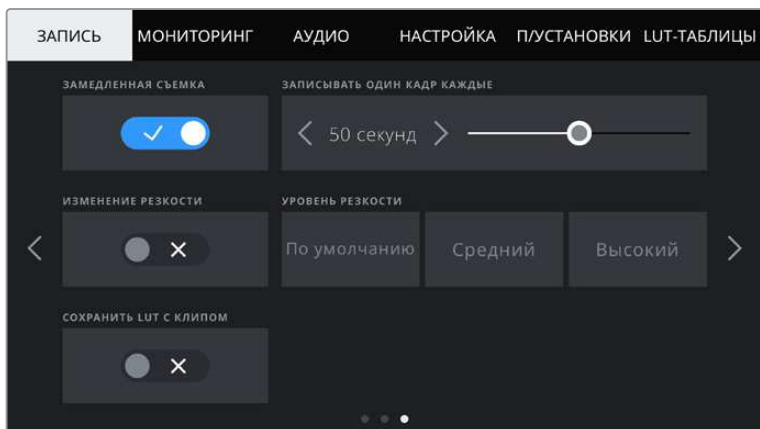
Остановить при пропуске кадров

Данная настройка позволяет задать действие при обнаружении пропущенных кадров. Когда она выключена, камера продолжит запись с пропущенными кадрами. Если включена, при обнаружении пропущенных кадров сохранение будет остановлено. Это позволяет избежать записи материала, непригодного для дальнейшего использования.

СОВЕТ. Подробнее о том, как избежать пропущенных кадров, см. раздел «Работа с накопителями».

Вкладка «ЗАПИСЬ» (стр. 3)

Третья страница вкладки «ЗАПИСЬ» содержит перечисленные ниже настройки.



Замедленная съемка

Эта настройка позволяет автоматически записывать стоп-кадр с одним из установленных интервалов.

Кадры	2-10
Секунды	1-10, 20, 30, 40, 50
Минуты	1-10

Камеру можно настроить таким образом, чтобы она записывала стоп-кадр через каждые 10 кадров, пять секунд, 30 секунд, пять минут и т. д.

Функция записи стоп-кадра с установленным интервалом открывает большие возможности для творчества. Например, если записывать статичное изображение с интервалом два кадра, при воспроизведении видео будет иметь эффект ускоренной съемки.

Для начала записи нажмите соответствующую кнопку. Если снова нажать кнопку и остановить запись, материал замедленной съемки будет сохранен как отдельный клип с заданными настройками кодека и кадровой частоты. Таким образом, весь фрагмент можно поместить на временную шкалу для постобработки как любой другой записанный клип.



В режиме замедленной съемки кнопка записи содержит соответствующий значок

СОВЕТ. При замедленной съемке счетчик временного кода будет обновляться по мере записи одного кадра.

Уровень резкости

Эта настройка используется для изменения резкости изображения. Чтобы увеличить или уменьшить уровень резкости, выберите одну из следующих опций: «По умолчанию», «Средний» или «Высокий».

Настройки этой функции применяются к видео, которое записывается внутренним способом в ProRes, а также к HDMI-сигналу на выходе камеры.

Это особенно удобно в прямом эфире, когда нет времени на дополнительную обработку изображения. При записи видео с последующей постобработкой рекомендуется данную опцию не включать. Если выбран кодек Blackmagic RAW, настройка резкости отключается.

Сохранить LUT с клипом

При работе с Blackmagic Pocket Cinema Camera LUT-таблицы не применяются при записи изображения по умолчанию. Для сохранения этой информации нажмите «СОХРАНИТЬ LUT С КЛИПОМ».

Эта опция может пригодиться, когда нет времени на грейдинг при постобработке, либо при передаче снятого материала напрямую заказчику или редактору. Подробнее см. разделы «3D LUT-таблицы» и «Функции сенсорного экрана».

Встроить LUT в файл

Когда LUT-таблица используется для съемки в кодеке Blackmagic RAW для передачи сигнала через выход HDMI, данная таблица встраивается в записываемый файл Blackmagic RAW. Она сохраняется в заголовке файла и может применяться к клипу во время постобработки без создания отдельного файла. Если в меню «ЗАПИСЬ» включить опцию «ВСТРОИТЬ LUT В ФАЙЛ», полученное видео будет открываться в приложениях Blackmagic RAW Player и DaVinci Resolve с уже встроенной в него LUT-таблицей. Ее можно быстро активировать и отменять, но она всегда будет храниться в файле .braw вместе с самим изображением.

Для включения или отключения 3D LUT-таблицы в файле Blackmagic RAW нужно выбрать соответствующую настройку режима «Применить LUT-таблицу» на панели RAW в приложении DaVinci Resolve. Она используется так же, как на камере. Благодаря этому колорист может по своему усмотрению использовать или отменить ее применение на этапе постобработки.

Присвоение имен файлам

В зависимости от выбранной настройки записи (карты памяти CFast, SD или флеш-накопитель USB-C) используется формат Blackmagic RAW или ProRes QuickTime.

Таблица ниже содержит образец, по которому файлам присваиваются имена.

A001_08151512_C001.mov	Имя файла в формате QuickTime Movie
A001_08151512_C001.mov	Идентификатор камеры
A001_08151512_C001.mov	Номер тома
A001_08151512_C001.mov	Месяц
A001_08151512_C001.mov	День
A001_08151512_C001.mov	Часы
A001_08151512_C001.mov	Минуты
A001_08151512_C001.mov	Номер клипа

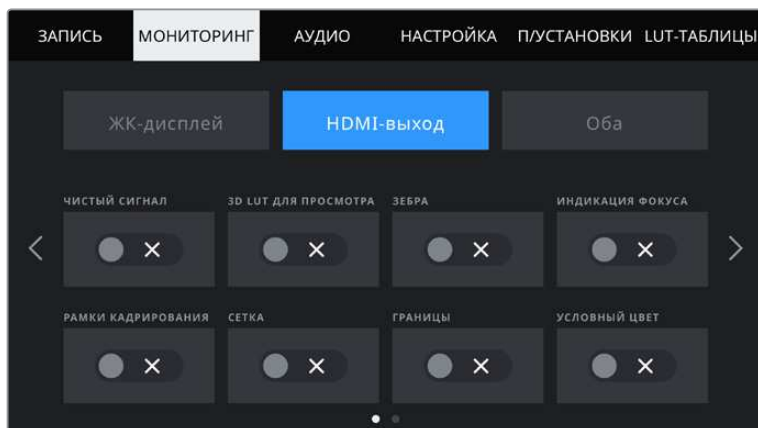
Моментальные снимки, созданные с помощью кнопки STILL, совпадают с названиями видеофайлов, но в конце содержат индекс S001, цифры которого соответствуют номеру статического изображения. Подробнее об изменении идентификатора камеры см. раздел «Вкладка метаданных «ПРОЕКТ»».

Настройки мониторинга

На вкладке «МОНИТОРИНГ» можно задать настройки служебных параметров, выводимых на ЖК-дисплей и HDMI-выход камеры. Все параметры разделены на подгруппы «ЖК-дисплей», «HDMI-выход» и «Оба». Каждое меню имеет две страницы, для перехода между которыми можно использовать стрелки по краям экрана или прокрутку.

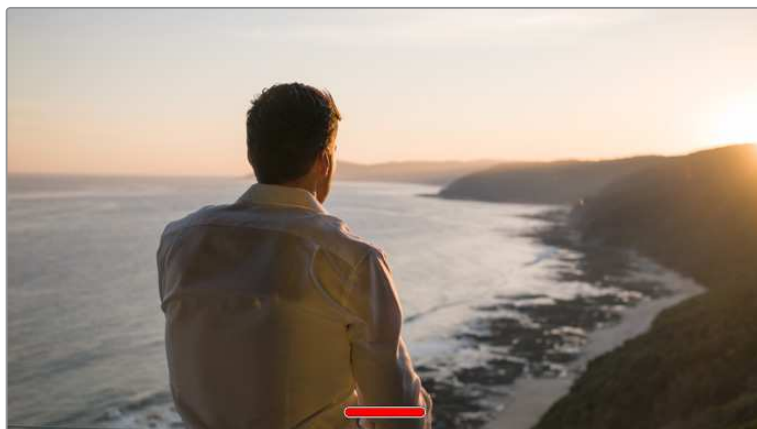
Вкладка «МОНИТОРИНГ» (стр. 1)

Первая страница вкладки имеет идентичные настройки вывода. Например, функцию «ЗЕБРА» можно активировать в поле «ЖК-дисплей», но отключить для HDMI-выхода.



Чистый сигнал

Чтобы отключить вывод всех служебных параметров (за исключением Tally-индикатора записи) на ЖК-дисплей или HDMI-выход, коснитесь соответствующего поля.



Tally-индикатор записи отображается даже при выводе чистого сигнала

ПРИМЕЧАНИЕ. При использовании опции «ЧИСТЫЙ СИГНАЛ» к изображению на выходе применяются LUT-таблицы. Для их отключения установите переключатель «LUT ДЛЯ ПРОСМОТРА» на вкладке «МОНИТОРИНГ» в соответствующее положение.

3D LUT для просмотра

Blackmagic Pocket Cinema Camera позволяет применять 3D LUT-таблицы к изображению на любом выходе камеры. Это особенно удобно при записи в режиме «Фильм».

Когда включено применение таких таблиц, их можно активировать независимо для ЖК-дисплея или HDMI-выхода.

Подробнее о загрузке и использовании 3D LUT-таблиц см. соответствующий раздел руководства.

Чтобы активировать настройки мониторинга для ЖК-дисплея и HDMI-выхода (индикация фокуса, рамки кадрирования, сетка, границы изображения и условный цвет), выберите соответствующие переключатели в меню «ЖК-дисплей» или «HDMI-выход».

Зебра

Чтобы отображать зебру, коснитесь соответствующего переключателя в меню «ЖК-дисплей» или «HDMI-выход». Подробнее о работе с этим инструментом и установке нужного уровня см. раздел «Функции сенсорного экрана».

Индикация фокуса

Чтобы вывести на экран индикацию фокуса, коснитесь соответствующего переключателя в меню «ЖК-дисплей» или «HDMI-выход». Подробнее о работе с этим инструментом и установке нужного уровня см. раздел «Функции сенсорного экрана».

Рамки кадрирования

Чтобы использовать рамки кадрирования, коснитесь соответствующего переключателя в меню «ЖК-дисплей» или «HDMI-выход». Подробнее о работе с этим инструментом и выборе рамок см. раздел «Функции сенсорного экрана».

Сетка

Чтобы отображать сетку, коснитесь соответствующего переключателя в меню «ЖК-дисплей» или «HDMI-выход». Подробнее о правиле третей см. раздел «Функции сенсорного экрана».

Границы изображения

Чтобы видеть границы изображения, коснитесь переключателя «ГРАНИЦЫ ИЗОБРАЖЕНИЯ» в меню «ЖК-дисплей» или «HDMI-выход». Подробнее о работе с этим инструментом см. раздел «Функции сенсорного экрана».

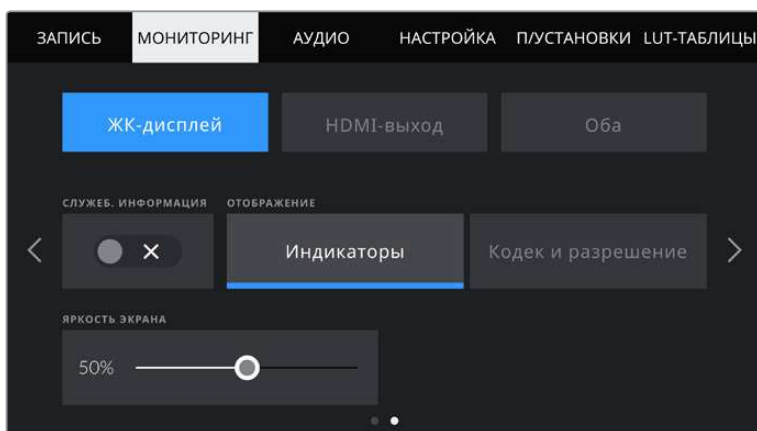
ПРИМЕЧАНИЕ. Чтобы установить границы изображения, используйте настраиваемый (в процентах) параметр «ГРАНИЦЫ ИЗОБРАЖЕНИЯ» в меню «Оба» вкладки «МОНИТОРИНГ».

Условный цвет

Чтобы использовать инструмент «УСЛОВНЫЙ ЦВЕТ», коснитесь соответствующего переключателя в меню «ЖК-дисплей» или «HDMI-выход». Подробнее о работе с условным цветом см. раздел «Функции сенсорного экрана».

Вкладка «МОНИТОРИНГ» > «ЖК-дисплей» (стр. 2)

Вторая страница меню «ЖК-дисплей» на вкладке «МОНИТОРИНГ» содержит настройки, которые используются только для сенсорного экрана.



«СЛУЖЕБНАЯ ИНФОРМАЦИЯ» служит для вывода дополнительной информации при предварительном просмотре изображения

Служебная информация

С помощью данной настройки на сенсорном ЖК-экране можно скрыть дополнительную выводимую информацию и оставить только те индикаторы, которые необходимы для кадрирования и съемки. Чтобы использовать нужный режим, установите переключатель «СЛУЖЕБНАЯ ИНФОРМАЦИЯ» в соответствующее положение. Если рамки кадрирования, сетка, индикация фокуса и зебра активированы, они будут по-прежнему отображаться. Для выбора режима можно также провести пальцем по сенсорному экрану в вертикальном направлении.

Дисплей

Вместо гистограммы и индикаторов звука внизу ЖК-экрана можно отображать информацию о кодеке и разрешении. Это полезно в том случае, когда необходимо выводить условный цвет для настройки экспозиции или записывать отдельную аудиодорожку.

Чтобы выбрать нужный режим, коснитесь элемента «Индикаторы» или «Кодек и разрешение» в меню «ЖК-дисплей».



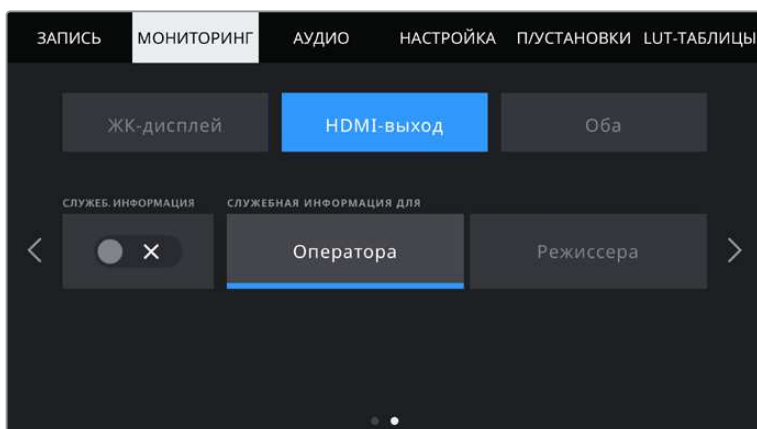
Blackmagic Pocket Cinema Camera позволяет вместо гистограммы и индикаторов звука отображать информацию о кодеке и разрешении

Яркость экрана

Чтобы изменить яркость экрана, перетащите соответствующий слайдер в меню «ЖК-дисплей».

Вкладка «МОНИТОРИНГ» > «HDMI-выход» (стр. 2)

Вторая страница меню «HDMI-выход» имеет настройки, которые используются только для HDMI-выхода.



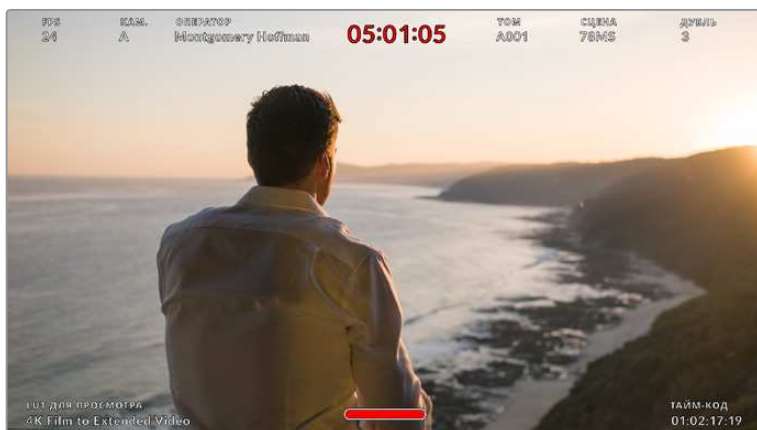
Служебная информация

С ее помощью на ЖК-дисплее можно скрыть выводимую на HDMI-выход информацию и оставить только те индикаторы, которые необходимы для кадрирования и съемки. Чтобы выбрать необходимый режим, коснитесь переключателя «СЛУЖЕБНАЯ ИНФОРМАЦИЯ» в меню «HDMI-выход». Если рамки кадрирования, сетка, индикация фокуса и зебра активированы, они будут по-прежнему отображаться.

Чтобы показать или скрыть служебную информацию, достаточно провести пальцем по экрану вверх или вниз.

Служебная информация для оператора или режиссера

На экран камеры можно выводить настройки ISO, баланса белого и диафрагмы, которые будут полезны для оператора во время подготовки к съемке. HDMI-выход вместе с изображением позволяет дополнительно выводить информацию для режиссера, когда нужно систематизировать материал.



Blackmagic Pocket Cinema Camera дает возможность выводить на HDMI-выход дополнительную информацию для режиссера

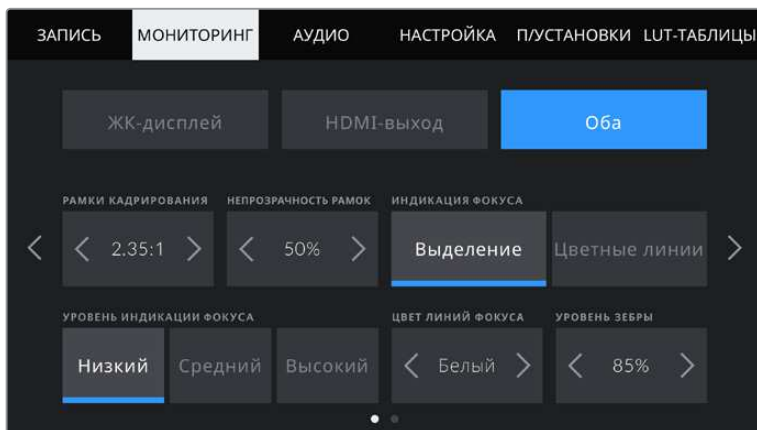
Если в меню «HDMI-выход» выбрать опцию «Режиссера», на выход вместе с изображением будет поступать служебная информация о приведенных ниже параметрах.

- **FPS**
Текущая кадровая частота в секунду. Если специальная частота отключена, отображается только кадровая частота проекта. При использовании этой настройки выводится кадровая частота сенсора, затем — частота проекта.
- **КАМ.**
Идентификатор камеры в соответствии с заданной настройкой в табличке данных. Подробнее см. раздел «Табличка данных».
- **ОПЕРАТОР**
Оператор камеры в соответствии с заданной настройкой. Подробнее см. раздел «Табличка данных».
- **ПРОДОЛЖИТЕЛЬНОСТЬ ЗАПИСИ**
Продолжительность текущего клипа в режиме записи или последнего записанного клипа (часы:минуты:секунды).
- **ТОМ, СЦЕНА, ДУБЛЬ**
Текущее значение тома, сцены и дубля. Подробнее см. раздел «Табличка данных».
- **ДИНАМИЧЕСКИЙ ДИАПАЗОН**
В случае использования на выходе LUT-таблицы в левом нижнем углу отображается ее название. Если LUT-таблица не применяется, выводится текст «Фильм» или «Видео».
- **ТАЙМ-КОД**
В правом нижнем углу отображается тайм-код (часы:минуты:секунды:кадры).

Вкладка «МОНИТОРИНГ» > «Оба» (стр. 1)

Настройки мониторинга, которые затрагивают ЖК-дисплей и HDMI-выход, сгруппированы в меню «Оба». Например, если в этом меню для поля «ГРАНИЦЫ ИЗОБРАЖЕНИЯ» задать значение 90%, то оно будет использоваться для ЖК-дисплея и HDMI-выхода.

Меню «Оба» имеет две страницы и содержит несколько настроек.



Рамки кадрирования

Коснитесь правой или левой стрелки в поле «РАМКИ КАДРИРОВАНИЯ», чтобы выбрать одну из настроек для всех выходов на камере. Возможные опции описаны в разделе «Функции сенсорного экрана». Для доступа к ним можно также использовать меню «МОНИТОРИНГ» на ЖК-дисплее, которое позволяет по отдельности задать рамки кадрирования для экрана и HDMI-выхода.

Непрозрачность рамок

Коснитесь правой или левой стрелки в поле «НЕПРОЗРАЧНОСТЬ РАМОК», чтобы выбрать степень непрозрачности участков, закрываемых рамками кадрирования на ЖК-экране и HDMI-выходе. Возможные опции: 25%, 50%, 75% и 100%.

Индикация фокуса

Камера имеет два режима индикации фокуса: «Выделение» и «Цветные линии».

Выделение	При использовании режима «Выделение» участки изображения в фокусе будут более резкими на ЖК-дисплее или HDMI-выходе, однако это не влияет на запись. На дисплее камеры становится заметной разница между объектами в фокусе и задним планом. За счет этого оператору становится легче выстраивать композицию, если на экран не выводится дополнительная служебная информация.
Цветные линии	При использовании режима «Цветные линии» участки изображения в фокусе выделяются цветными линиями. Он может быть полезным при съемке сложных композиций с большим количеством деталей, когда нужно настроить фокус для особенно важных объектов.

Уровень индикации фокуса

Чтобы установить уровень индикации фокуса для ЖК-дисплея и HDMI-выхода, выберите одну из трех настроек: «Низкий», «Средний», «Высокий».

ПРИМЕЧАНИЕ. Установка уровня индикации фокуса не влияет на активирование этой функции для ЖК-дисплея и HDMI-выхода. Для ее использования надо дополнительно включить опцию «ИНДИКАЦИЯ ФОКУСА» в меню «ЖК-дисплей» или «HDMI-выход» вкладки «МОНИТОРИНГ».

СОВЕТ. Оптимальный уровень индикации фокуса варьируется в зависимости от характера кадра. Например, при съемке людей он может быть высоким для сохранения детализации при изображении лиц. В других случаях (например, для статичных предметов) такой высокий уровень не требуется.

Цвет линий фокуса

Эта настройка позволяет выбрать цвет линий, используемых для индикации фокуса в режиме «Цветные линии». Ее изменение может потребоваться в зависимости от преобладающего цвета композиции, чтобы улучшить визуализацию предметов в фокусе. Доступные опции: «Белый», «Красный», «Зеленый», «Синий» и «Черный».

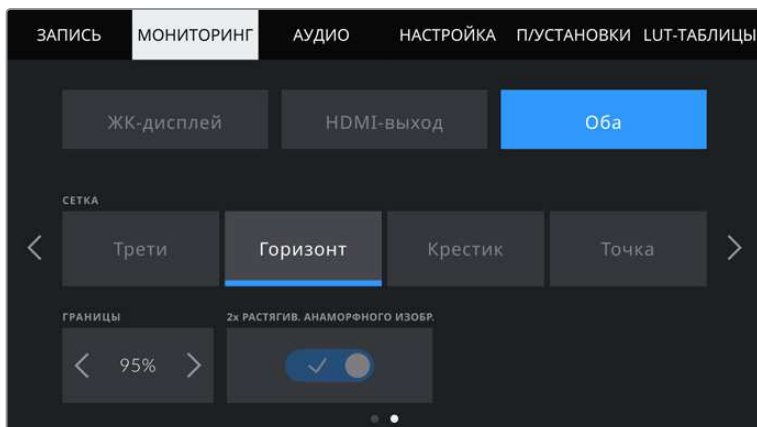
Уровень зебры

С помощью стрелок сбоку от значения можно выбрать уровень экспозиции, при котором будет отображаться зебра. Диапазон доступных значений — от 75 до 100 процентов с шагом 5%.

Подробнее о работе с функцией зебры см. раздел «Функции сенсорного экрана».

Вкладка «МОНИТОРИНГ» > «Оба» (стр. 2)

Вторая страница меню «Оба» вкладки «МОНИТОРИНГ» содержит приведенные ниже опции.



Вторая страница меню «Оба» вкладки «МОНИТОРИНГ» с настройками для ЖК-дисплея и HDMI-выхода

Сетка

Чтобы выбрать комбинацию инструментов для отображения сетки на ЖК-дисплее и HDMI-выходе, коснитесь необходимого значка: «Трети», «Горизонт», «Крестик» или «Точка».

Подробнее о работе с сеткой см. раздел «Функции сенсорного экрана».

Границы изображения (%)

Чтобы изменить границы изображения для ЖК-дисплея и HDMI-выхода, используйте стрелки слева и справа от текущего значения. Настройка соответствует размеру области в процентах от кадра изображения. Большинство вещательных станций требуют, чтобы она составляла 90%.

Растягивание анаморфного изображения

Pocket Cinema Camera имеет функцию растягивания изображения, выводимого на ЖК-дисплей и HDMI-выход. При использовании форматов 16:9 и 17:9 можно активировать опцию «1,33x РАСТЯГИВ. АНАМОРФ. ИЗОБР.». Если запись ведется в формате «3.7K анаморф.» на Pocket Cinema Camera 6K или «2.8K анаморф.» на Pocket Cinema Camera 4K, 2-кратное растягивание анаморфного изображения применяется автоматически.

Настройки звука

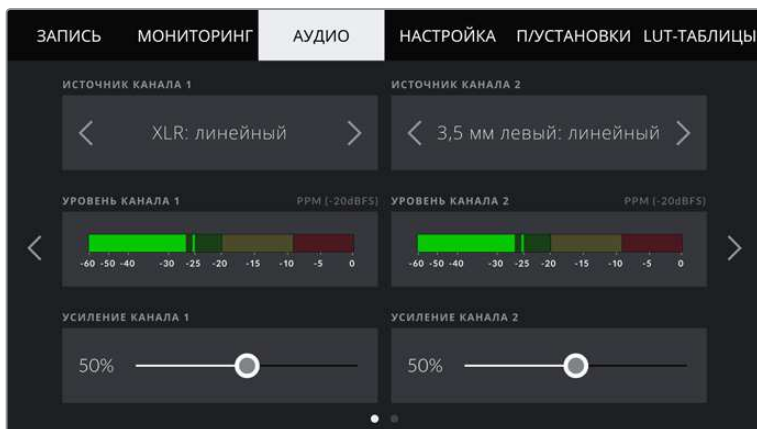
При работе с камерой вкладка «АУДИО» позволяет менять настройки источника звука и мониторинга аудиосигнала.

Настройки звука на камере имеют две страницы и сгруппированы отдельно для первого и второго каналов.

Можно назначить свой источник звука для каждого из каналов, а также использовать его усиление.

Вкладка «АУДИО» (стр. 1)

Первая страница вкладки «АУДИО» содержит перечисленные ниже настройки.



Источник канала

Для выбора источника звука по каждому каналу используйте кнопки «ИСТОЧНИК КАНАЛА 1» и «ИСТОЧНИК КАНАЛА 2». Ниже описаны возможные опции.

- **Камера: левый** или **Камера: правый**
Запись звука со встроенных микрофонов камеры.
- **Камера: моно**
Создание единой аудиодорожки из левого и правого каналов встроенного микрофона.
- **XLR: линейный**
Запись линейного сигнала с помощью XLR-входа.
- **XLR: микрофон**
Запись микрофонного сигнала с помощью XLR-входа. При наличии фантомного питания и установке этой настройки для XLR-входа будет дополнительно отображаться индикатор «+48 В». При отключении микрофона с фантомным питанием тумблер «+48 В» должен находиться в выключенном положении.
- **3,5 мм левый: линейный**
В качестве линейного сигнала используется звук только левого канала на 3,5-мм разъеме.
- **3,5 мм правый: линейный**
В качестве линейного сигнала используется звук только правого канала на 3,5-мм разъеме.
- **3,5 мм моно: линейный**
Объединение линейного сигнала левого и правого каналов на 3,5-мм разъеме для создания монофонического звука.
- **3,5 мм левый: микрофон**
В качестве микрофонного сигнала используется звук только левого канала на 3,5-мм разъеме.
- **3,5 мм правый: микрофон**
В качестве микрофонного сигнала используется звук только правого канала на 3,5-мм разъеме.
- **3,5 мм моно: микрофон**
Объединение микрофонного сигнала левого и правого каналов на 3,5-мм разъеме для создания монофонического звука.
- **Нет**
Отключение аудиоканала.

ПРИМЕЧАНИЕ. Когда звук поступает на вход 3,5 мм, для каналов 1 и 2 должен использоваться одинаковый уровень — линейный или микрофонный. Например, если для первого выбрана настройка «3,5 мм левый: линейный», то для второго доступны следующие опции: «3,5 мм левый: линейный», «3,5 мм правый: линейный», «3,5 мм моно: линейный». Параметры микрофонного уровня в этом случае будут отключены.

Уровень канала 1 и 2

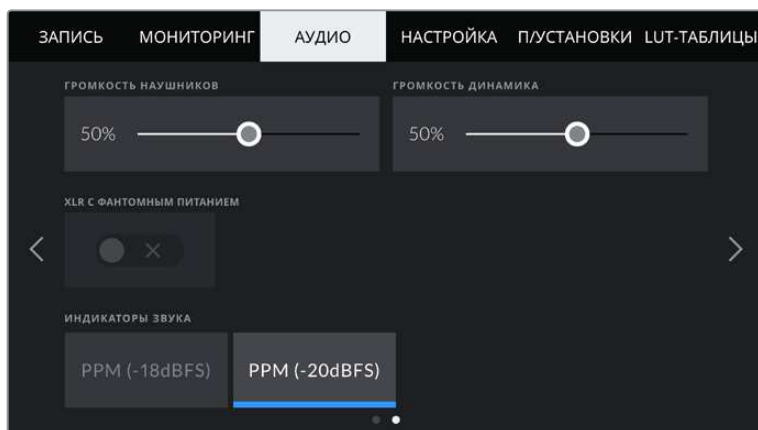
Индикаторы звука обеспечивают большую точность при установке уровня.

Усиление канала 1 и 2

Настройка уровней записи для каналов 1 и 2 с использованием слайдеров.

Вкладка «АУДИО» (стр. 2)

Вторая страница вкладки «АУДИО» содержит перечисленные ниже настройки.



Громкость наушников

Настройку уровня звука в подключенных через 3,5-мм разъем наушниках выполняют с помощью слайдера. Для этого передвиньте слайдер влево или вправо.

Громкость динамика

Настройку уровня звука встроенного динамика выполняют с помощью слайдера. Для этого передвиньте слайдер влево или вправо.

XLR с фантомным питанием

XLR-вход камеры позволяет подавать фантомное питание 48 В на микрофоны без автономного энергоснабжения. Чтобы включить его, выберите XLR в качестве источника сигнала и нажмите «XLR С ФАНТОМНЫМ ПИТАНИЕМ».

Индикация звука

Выберите стандарт для индикаторов пикового уровня звука.

Настройки индикаторов звука	Стандарт
PPM (-20 dBFS)	SMPTE RP.0155
PPM (-18 dBFS)	EBU R.68

ПРИМЕЧАНИЕ. Перед подачей фантомного питания рекомендуется сначала подсоединить кабель XLR. Если микрофон больше не получает питание, необходимо установить соответствующий переключатель в выключенное положение. Для оборудования, которое не требует фантомного питания, этот режим нужно отключить, так как в противном случае выход камеры будет по-прежнему получать энергию, что может привести к повреждению устройств.

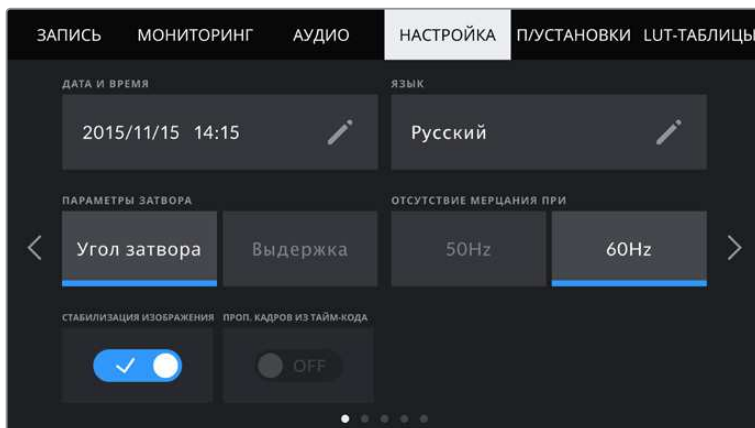
После отключения функции фантомного питания на Blackmagic Pocket Cinema Camera 4K необходимо подождать несколько минут перед использованием микрофонов или другого аудиооборудования с XLR-интерфейсом.

Основные настройки

Вкладка «НАСТРОЙКА» содержит идентификатор камеры, номер используемой версии ПО, настройки кнопок функционала и другие параметры, напрямую не связанные с записью или мониторингом. Меню вкладки занимает четыре страницы. Для навигации по ним нажмите стрелки, расположенные по краям сенсорного ЖК-экрана, или проведите по экрану в горизонтальном направлении.

Вкладка «НАСТРОЙКА» (стр. 1)

Первая страница вкладки «НАСТРОЙКА» содержит приведенные ниже настройки.

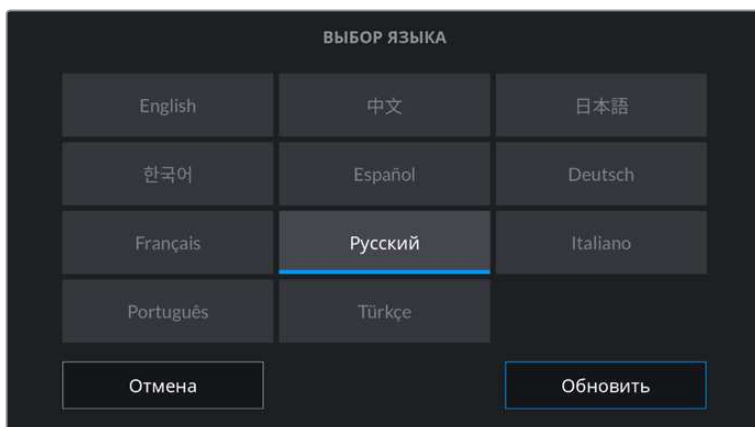


Дата и время

Эта настройка позволяет вводить дату и время. Выберите ее, чтобы указать год, месяц, день и время в 24-часовом формате. Она также используется для тайм-кода при отсутствии внешнего источника тайм-кода.

Язык

Pocket Cinema Camera имеет пользовательский интерфейс на 11 основных языках, включая английский, китайский, японский, корейский, испанский, немецкий, французский, русский, итальянский, португальский и турецкий.



Экран выбора языка отображается при первоначальной настройке.

Выбор языка

- 1 Нажмите настройку «ЯЗЫК» и выберите нужный язык.
- 2 Нажмите кнопку «Обновить» для возврата к меню настройки.

Параметры затвора

Эта настройка позволяет выбрать способ отображения информации о затворе.

При использовании угла раскрытия затвора настройка согласуется с кадровой частотой. Например, угол 180 градусов дает один и тот же эффект размытия независимо от частоты кадров.

При использовании выдержки параметр имеет абсолютное значение, которое дает разный эффект в зависимости от выбранной кадровой частоты.

Так, при съемке с частотой 24 кадра/с выдержка затвора 1/48 с будет создавать такой же эффект размытия, как при угле раскрытия 180 градусов. Если выбрать частоту 48 кадров/с, при выдержке 1/48 с получится такая же степень размытия, как при угле затвора 360 градусов. Чтобы эффект размытия оставался прежним, при кадровой частоте 48 fps необходимо использовать выдержку со значением 1/96 с.

Отсутствие мерцания

Эта настройка позволяет выбрать частоту электропитания, чтобы не допустить мерцания.

Мерцание может возникать при определенных параметрах затвора во время съемки с искусственным освещением. Для текущих настроек кадровой частоты Blackmagic Pocket Cinema Camera автоматически рассчитывает значения затвора, чтобы избежать мерцания, и отображает три из них. Эти параметры зависят от частоты в местной сети энергоснабжения, питание от которой поступает на лампы освещения. В большинстве стран с телевизионным стандартом PAL используется частота 50 Гц, в странах с NTSC — 60 Гц. Выберите значение 50 Гц или 60 Гц в зависимости от вашего региона.

ПРИМЕЧАНИЕ. Отдельные источники света могут вызывать мерцание при любых значениях затвора. Рекомендуется предварительно выполнить съемку в тестовом режиме.

Стабилизация изображения

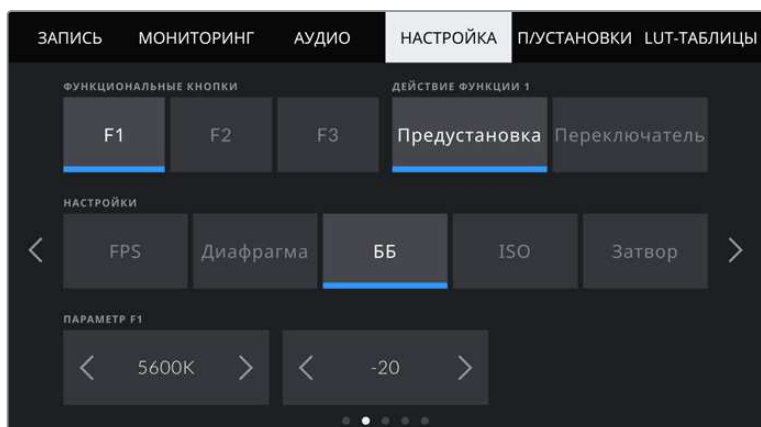
Эта настройка на Pocket Cinema Camera 4K позволяет использовать стабилизацию изображения при работе с объективами без ручной регулировки.

Пропуск кадров из тайм-кода

Эта настройка вводит поправку тайм-кода при использовании стандарта NTSC с кадровой частотой проекта 29,97 и 59,94. Она позволяет пропускать отдельные кадры из тайм-кода с определенным интервалом. Благодаря этому удастся поддерживать корректный тайм-код при работе с NTSC, когда каждый второй кадр не является целым числом.

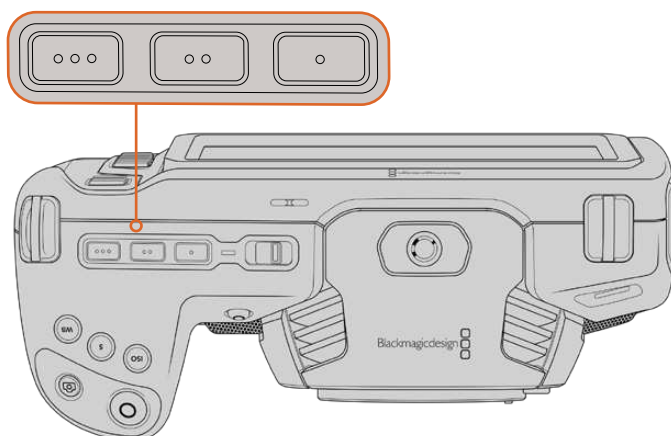
Вкладка «НАСТРОЙКА» (стр. 2)

Вторая страница вкладки «НАСТРОЙКА» содержит приведенные ниже настройки.



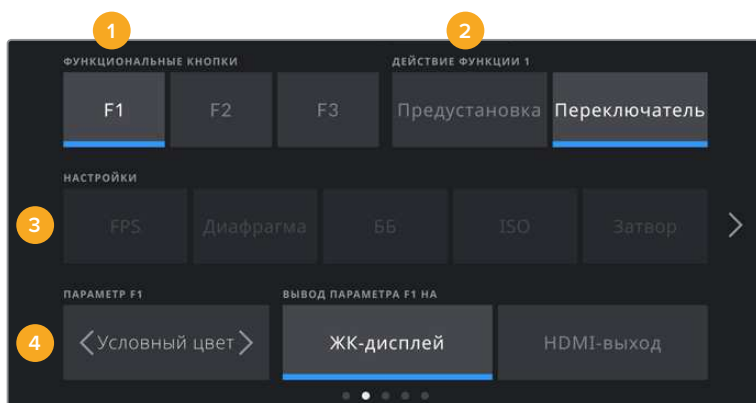
Функциональные кнопки

На верхней панели Blackmagic Pocket Cinema Camera есть три функциональные кнопки с соответствующим числом точек на них. Их можно назначить для быстрого доступа к часто используемым функциям при работе с камерой.



Функциональные кнопки с точками расположены на верхней панели камеры

Выберите соответствующую кнопку, а затем назначьте нужное действие, настройку и параметр.



1 Кнопка 2 Действие 3 Настройка 4 Параметр

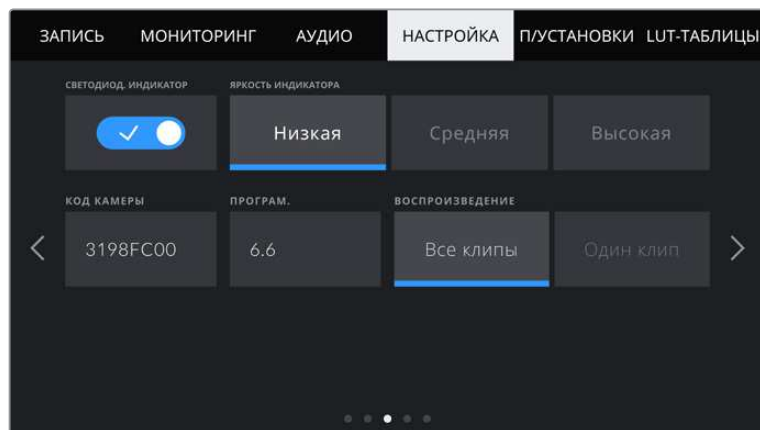
Действие функции 1/2/3

После выбора функциональной кнопки укажите назначаемое действие. Доступны две опции.

Предустановка	<p>Эта опция позволяет задавать одновременно настройку и параметр.</p> <p>Для создания предустановки выберите настройку и укажите параметр с помощью стрелок по сторонам.</p> <p>Например, для установки диафрагмы «8.0» с помощью кнопки F1 выберите «Предустановка», затем «Диафрагма» и с помощью стрелок в строке «ПАРАМЕТР» перейдите к значению «8.0». Нажав «Предустановка» еще раз, можно вернуть настройки камеры к предыдущим параметрам.</p>
Переключатель	<p>Эта опция позволяет включить или отключить определенную настройку. В данном режиме меню «НАСТРОЙКИ» отключено. Для перехода между возможными опциями коснитесь правой или левой стрелки в меню «ПАРАМЕТР». Доступны следующие настройки: «OIS», «Чистый сигнал», «LUT для просм.», «Рамки кадриров.», «Индикация фокуса», «Условный цвет», «Зебра», «Сетка» и «Границы изобр.».</p> <p>Опция «Переключатель» позволяет выбрать выход, для которого будет применяться настройка. Для этого нажмите «ЖК-дисплей» и «HDMI-выход» в любой комбинации. Если для выхода невозможно применить выбранную настройку (например, «Изм. скор. записи» относится ко всем выходам), «ЖК-дисплей» и «HDMI-выход» не используются.</p>

Вкладка «НАСТРОЙКА» (стр. 3)

Третья страница вкладки «НАСТРОЙКА» содержит приведенные ниже настройки.



Светодиодный индикатор

На передней панели камеры есть светодиодный индикатор, который горит красным во время записи. Его можно включить или отключить с помощью этой настройки.

Яркость индикатора

Эта настройка позволяет задать яркость светодиодного индикатора: «Низкая», «Средняя» или «Высокая».

Код камеры

Отображает восьмизначный уникальный идентификатор камеры. Этот же идентификатор в развернутом виде (из 32 знаков) сохраняется вместе с метаданными видео в форматах Blackmagic RAW и ProRes. Он может быть полезен для информации об источнике записи материала.

Программное обеспечение

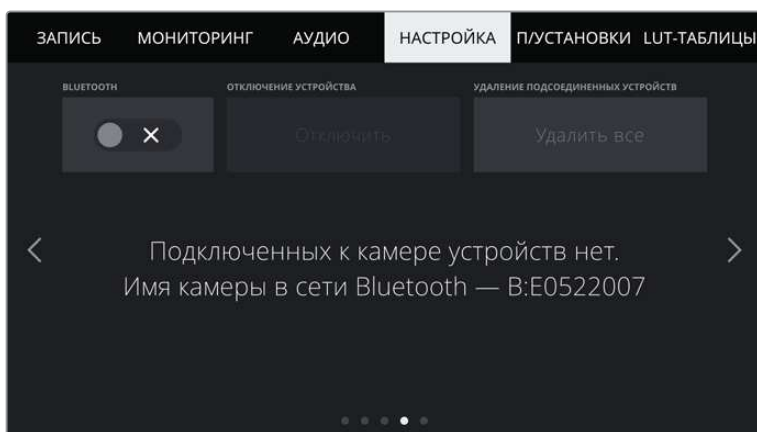
Отображает номер версии установленного программного обеспечения. Подробнее об обновлении ПО см. раздел «Утилита Blackmagic Camera Setup».

Воспроизведение

Эта настройка позволяет выбирать между воспроизведением на ЖК-экране отдельного клипа или всех клипов с карт SD и CFast или флеш-накопителя USB-C. При выборе «Все клипы» выводятся все клипы по порядку, а «Один клип» позволяет просмотреть только один клип. В циклическом режиме опция «Все клипы» позволяет последовательно воспроизвести все клипы, сохраненные на носителе, а затем снова начать с первого из них. Если использовать «Один клип» в циклическом режиме, будет выводиться один и тот же клип.

Вкладка «НАСТРОЙКА» (стр. 4)

На четвертой странице доступны настройки Bluetooth®.



Имя камеры как устройства Bluetooth состоит из буквы, выбранной в табличке данных, и восьми знаков кода

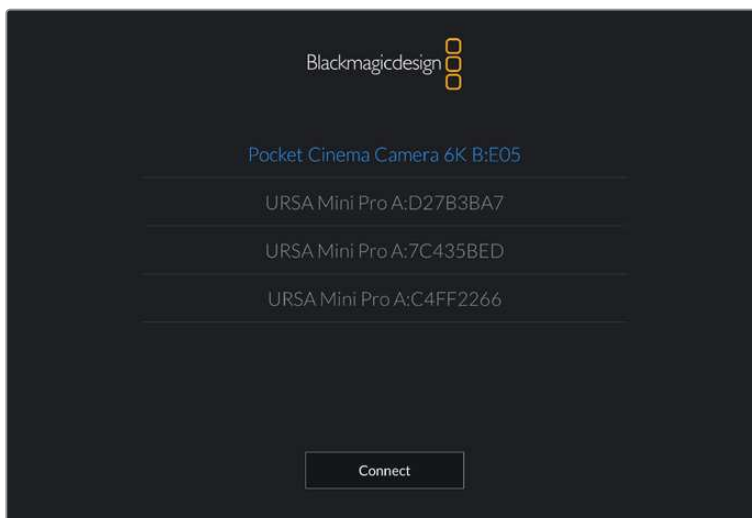
BLUETOOTH®

Через Bluetooth камерой можно управлять с портативных устройств. Приложение Blackmagic Camera Control позволяет менять настройки, редактировать метаданные и запускать запись с iPad. Включение беспроводной связи по протоколу Bluetooth, выполняется соответствующим переключателем на вкладке «НАСТРОЙКА». После этого камера будет доступна для обнаружения на расстоянии до девяти метров. При работе с Bluetooth используется такой же набор команд, как при дистанционном управлении камерами Blackmagic по SDI-интерфейсу, поэтому для этой модели можно создать собственные приложения, чтобы удаленно контролировать практически все настройки, в том числе параметры мониторинга и звука, объектива и встроенного инструмента цветокоррекции DaVinci Resolve.

Подробнее о приложении Blackmagic Camera Control см. веб-страницу по адресу www.blackmagicdesign.com/ru/developer/

Установка первого соединения между iPad и камерой

- 1 Включение беспроводной связи по протоколу Bluetooth выполняется соответствующим переключателем на вкладке «НАСТРОЙКА».
- 2 Откройте приложение Blackmagic Camera Control и выберите камеру, с которой нужно установить соединение. Доступные устройства будут отображаться в виде имен, состоящих из буквы и уникального кода (например, A:A0974BEA).



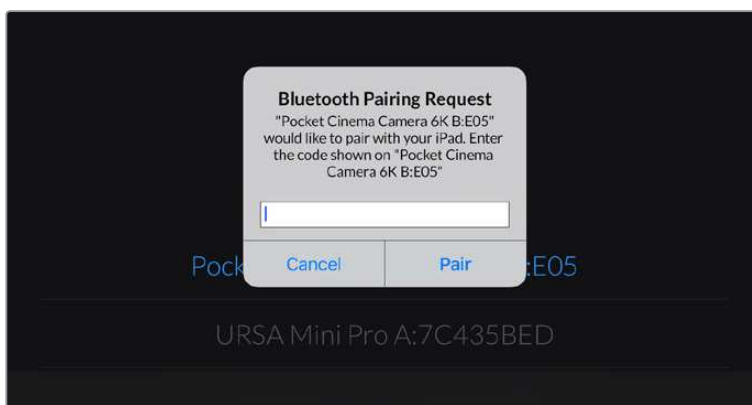
Выберите Blackmagic Pocket Cinema Camera, с которой нужно установить соединение

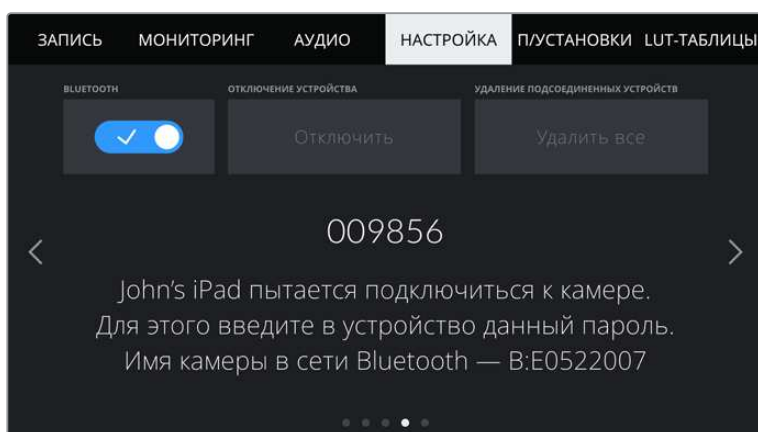
ПРИМЕЧАНИЕ. При первом запуске приложения Blackmagic Camera Control необходимо дать разрешение на локальный доступ. Если выбрать опцию While using the app, GPS-координаты с планшета iPad будут сохраняться вместе с метаданными видео. Эти геотеги можно отображать при обработке материала в DaVinci Resolve 15 и более поздних версиях.

Если такая информация не требуется, выберите опцию Never.

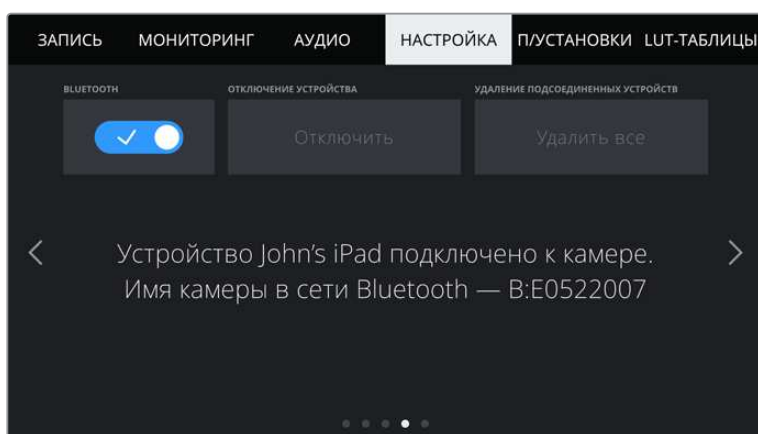
Для изменения настроек используйте Settings > Privacy > Location > Services > Camera Control на iPad.

- 3 При первом соединении с камерой в приложении Blackmagic Camera Control будет запрошен шестизначный код. Он появится на ЖК-экране камеры. Введите это число на iPad и нажмите Pair.

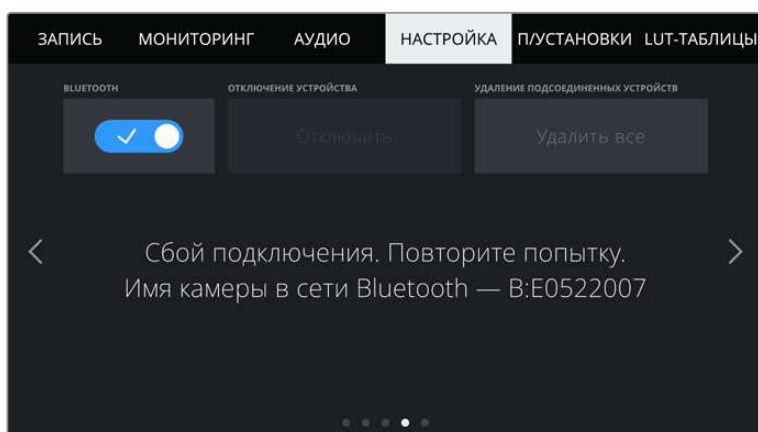




- 4 При подключении камеры к iPad появится подтверждение об установке соединения.



- 5 В случае ошибки соединения камеры с iPad будет отображаться соответствующее сообщение. После этого попробуйте установить соединение вновь.



ПРИМЕЧАНИЕ. Если Bluetooth не используется для управления камерой, в целях безопасности эту функцию лучше отключить.

Отключение устройства

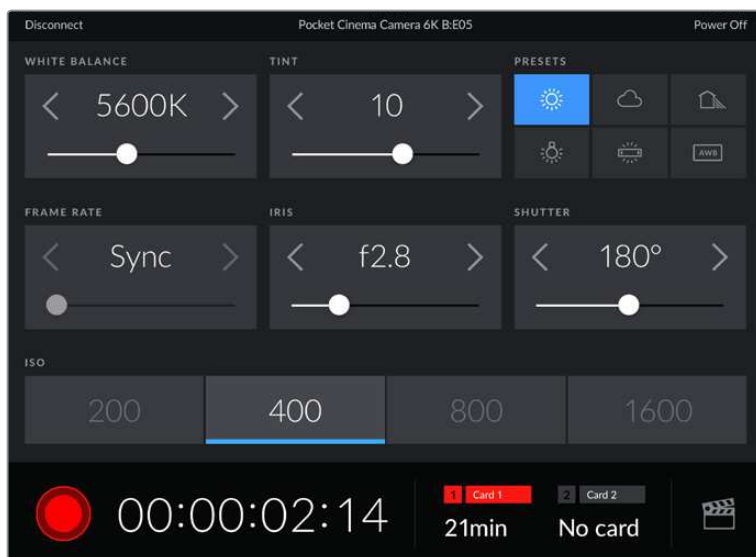
С помощью этой команды камеру можно отключить от iPad.

Удаление подсоединенных устройств

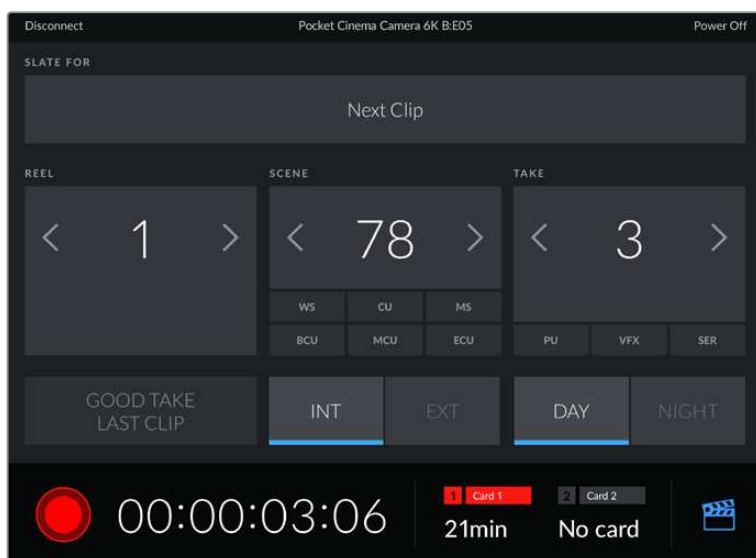
Эта команда позволяет очистить список устройств, подсоединенных к камере.

Управление камерой из приложения Blackmagic Camera Control

После успешной установки соединения между камерой и iPad можно в удаленном режиме менять настройки, редактировать метаданные и запускать запись.



После установки соединения приложение Blackmagic Camera Control позволяет менять настройки и запускать запись

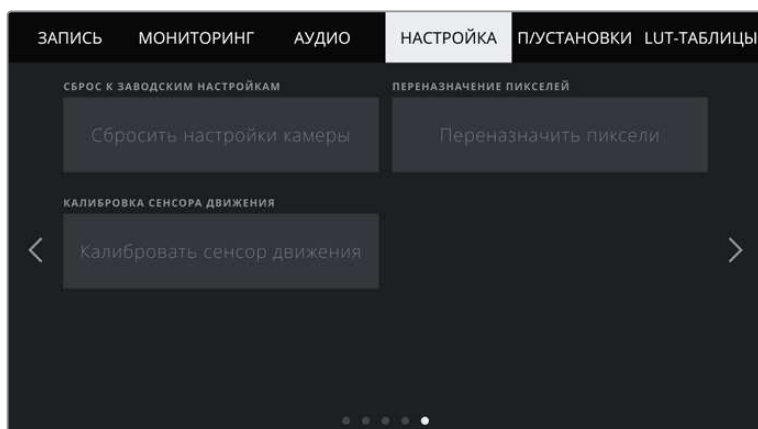


Чтобы получить доступ к служебной информации, коснитесь значка таблички в правом нижнем углу

Для беспроводного управления камерой с других устройств используется протокол Bluetooth LE, который отличается минимальным потреблением энергии.

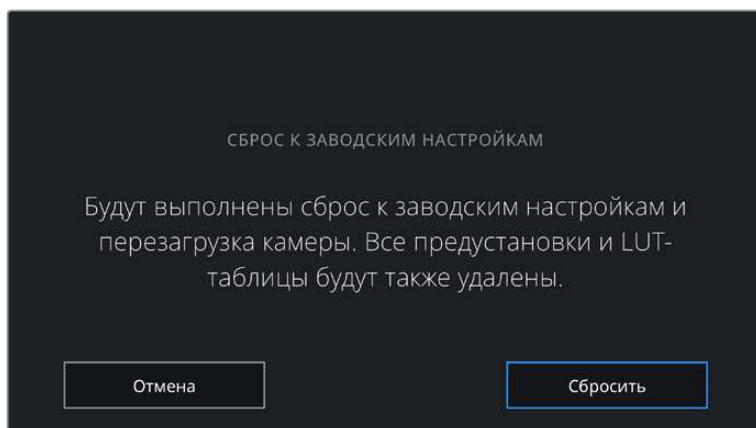
Вкладка «НАСТРОЙКА» (стр. 5)

На пятой странице вкладки «НАСТРОЙКА» выполняют сброс к заводским настройкам, переназначение пикселей и калибровку индикатора горизонта.



Сброс к заводским настройкам

Чтобы выполнить сброс к заводским настройкам по умолчанию, нажмите кнопку «Сбросить настройки камеры». На странице подтверждения нажмите «Сбросить». Все настройки камеры будут сброшены, а LUT-таблицы и предустановки — удалены. Прежде чем выполнять сброс к заводским настройкам, рекомендуется экспортировать предустановки на карту памяти. После завершения сброса их можно будет легко импортировать. Сброс к заводским настройкам перенастраивает и индикатор горизонта, поэтому после его завершения следует также выполнить калибровку сенсора движения.



При выборе «Сбросить» появится предупреждение с просьбой подтвердить действие

Переназначение пикселей

Blackmagic Pocket Cinema Camera имеет светочувствительный сенсор КМОП, который состоит из миллионов пикселей. Несмотря на калибровку сенсора в заводских условиях, со временем некоторые из них меняют яркость. В результате изображение содержит так называемые горячие пиксели. Они появляются на всех камерах вне зависимости от бренда.

Для устранения этой погрешности можно использовать встроенную функцию калибровки.

Чтобы выполнить калибровку, установите крышку на объектив и нажмите кнопку «Переназначить пиксели». Переназначение пикселей занимает приблизительно одну минуту.

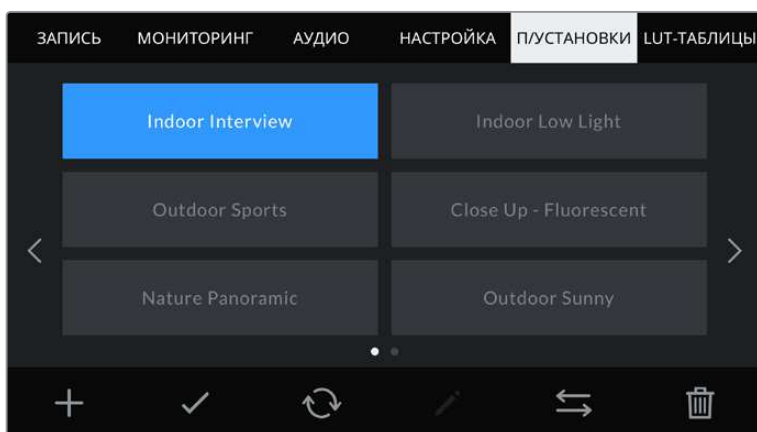
Калибровка сенсора движения

Чтобы выполнить калибровку индикатора горизонта, поместите камеру на ровную поверхность и нажмите кнопку «Калибровать сенсор движения». Во время калибровки камера должна быть неподвижна. Данный процесс занимает приблизительно пять секунд.

Предустановки

Вкладка «ПУСТАНОВКИ» позволяет сохранять и вызывать до 12 конфигураций настроек. Это удобно, когда одна камера используется для нескольких проектов. Например, при записи разного материала, от документальных фильмов до музыкальных клипов, где применяются отличные друг от друга настройки. Функция создания предустановок дает возможность сохранять до 12 конфигураций настроек для определенного проекта или характера съемки, а затем быстро применять любую из них.

Сохраненные таким образом настройки можно импортировать и экспортировать, что удобно при многокамерной съемке. После настройки одной камеры аналогичные параметры можно применить ко всем остальным камерам той же линейки.



Вкладка «ПУСТАНОВКИ» позволяет быстро переключаться между сохраненными настройками

ПРИМЕЧАНИЕ. Внутренняя память камеры позволяет сохранить до 12 конфигураций настроек.

Кнопки вкладки «ПУСТАНОВКИ»

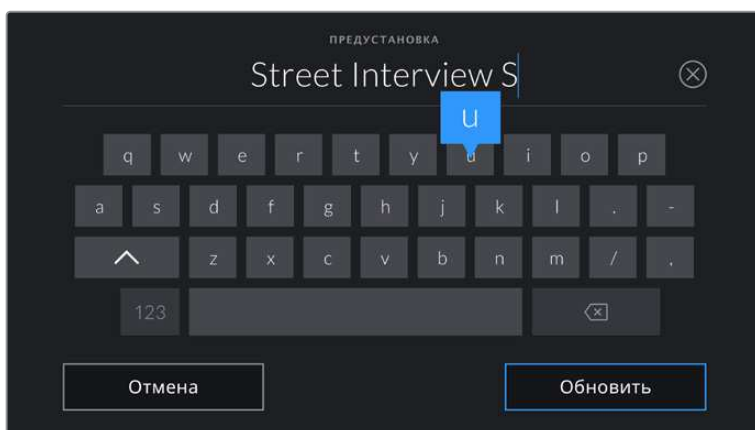
В нижней части меню «ПУСТАНОВКИ» есть несколько значков.



Сохранение и загрузка предустановок

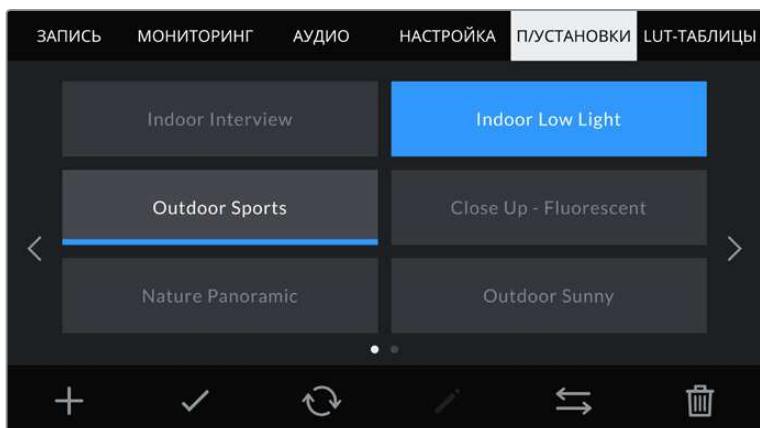
Чтобы создать новую предустановку, выберите значок «Добавить». На ЖК-дисплее отобразится сенсорная клавиатура для ввода имени предустановки. Введите имя и нажмите «Обновить», чтобы сохранить все текущие настройки камеры в виде данной предустановки.

Если на камере уже есть предустановка под таким же именем, можно перезаписать существующую или сохранить обе.



Для ввода имени предустановки выберите значок «Добавить» и используйте сенсорную клавиатуру

Чтобы выбрать ранее сохраненную предустановку, коснитесь ее. Затем нажмите значок «Загрузить».



Выберите необходимую предустановку и нажмите значок «Загрузить». Выбранная предустановка станет синего цвета, а текущая будет подчеркнута синей линией, расположенной под ее именем.

Чтобы обновить предустановку, нажмите значок «Обновить». Появится диалоговое окно с запросом на обновление предустановки в соответствии с текущими настройками камеры. Чтобы подтвердить, нажмите «Обновить».

Импорт предустановок

Для импорта предустановки нажмите значок «Управление» в нижней части меню. Выберите «Импорт предустановки», а затем нажмите «Импортировать». Появится окно для импорта предустановок. Чтобы выбрать место хранения конфигурации, нажмите кнопку соответствующего носителя в верхней части сенсорного экрана. Предустановки можно импортировать с флеш-накопителя USB-C, а также с карт CFast и SD.

Камера самостоятельно выполнит поиск корневой директории и папки Presets на выбранном носителе, после чего будет выведен список доступных предустановок. Любые предустановки, сохраненные в другом месте, отображаться не будут.

Укажите предустановку, нажмите «Импортировать» для подтверждения выбора и скопируйте ее в любой доступный слот камеры.

ПРИМЕЧАНИЕ. Если не осталось доступных слотов, меню импорта не выводится на экран. Чтобы освободить место, необходимо удалить любую из существующих предустановок.

Если уже есть предустановка под таким же именем, можно перезаписать существующую или сохранить обе. В верхнем правом углу экрана появится число доступных слотов. Импортировать можно такое же количество предустановок.

Экспорт предустановок

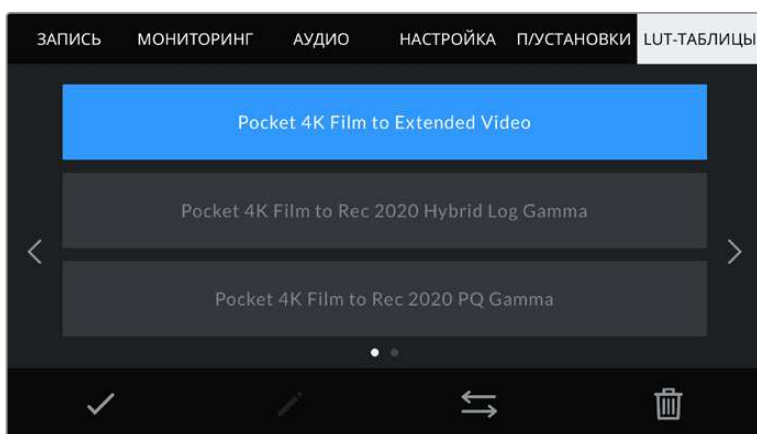
Для экспорта на карту памяти или флеш-накопитель USB-C выберите предустановку и нажмите кнопку «Управление». Нажмите «Экспорт выбранной предустановки» и выберите носитель для экспорта. Если предустановка под таким именем уже есть, можно перезаписать существующую или сохранить обе. Предустановка будет экспортирована в папку Presets.

Удаление предустановок

Чтобы удалить любую из предустановок, выберите ее и нажмите значок «Удалить». При запросе подтверждения нажмите «Удалить».

3D LUT-таблицы

Меню «LUT-ТАБЛИЦЫ» позволяет импортировать, экспортировать и применять 3D LUT-таблицы к изображению на выходах.



Выберите 3D LUT-таблицу на вкладке «LUT-ТАБЛИЦЫ»

Работа с 3D LUT-таблицами

Трёхмерные LUT-таблицы можно использовать с изображением, выводимым на ЖК-экран и HDMI-выход камеры. Они задают соответствие цвета и уровень яркости на выходе аналогичным параметрам на входе. Например, если изображение на входе имеет бледно-синий цвет, то с помощью LUT-таблицы его можно выводить насыщенным и ярким. Это удобно при съёмке в Blackmagic RAW или в режиме «Фильм» — в обоих случаях изображение изначально не такое контрастное. Применив LUT-таблицу, можно увидеть, как будет выглядеть материал после грейдинга.

Используя DaVinci Resolve или другое приложение цветокоррекции, легко создать 3D LUT-таблицы. Они также доступны для загрузки из Интернета. Камера позволяет сохранять до десяти 3D LUT-таблиц (на основе 17 или 33 координатных точек) размером до 1,5 МБ каждая. После загрузки их можно выводить на ЖК-дисплей и HDMI-интерфейс.

Blackmagic Pocket Cinema Camera поддерживает 3D LUT-таблицы (на основе 33 точек) в виде файлов с расширением .cube, созданных в среде DaVinci Resolve, а также таблицы (на основе 17 точек), конвертированные в .cube с помощью программных приложений. Камера обрабатывает 3D LUT-таблицы с помощью высококачественной тетраэдрической интерполяции.

СОВЕТ. Подробнее об отображении LUT-таблиц см. раздел «Настройки мониторинга».

ПРИМЕЧАНИЕ. При работе с Blackmagic Pocket Cinema Camera LUT-таблицы не применяются при записи по умолчанию, однако их можно сохранить вместе с изображением.

Эта опция может пригодиться, когда нет времени на грейдинг при постобработке, либо при передаче отснятого материала напрямую заказчику или редактору.

При использовании LUT-таблицы для предварительного просмотра видео информация о ней сохраняется в виде метаданных вместе с записанным материалом. Затем ее можно выводить на экран в поле «Используй. LUT-таблица» на вкладке «Метаданные» системы DaVinci Resolve. Это удобно для колористов при проверке имени использованной во время съемки таблицы.

Встроенные LUT-таблицы

Камера имеет несколько встроенных LUT-таблиц, которые позволяют выводить изображение с разными цветовыми схемами при съемке в режиме «Фильм» с сохранением материала в Blackmagic RAW.

LUT-таблицы соответствуют установленному в камере сенсору.

Pocket 4K Film to Extended Video / Pocket 6K Film to Extended Video

Более широкий динамический диапазон по сравнению с LUT-таблицей Pocket 4K Film to Video или Pocket 6K Film to Video. Имеет мягкую контрастность с плавной градацией в крайних точках светлых тонов.

Pocket 4K Film to Rec 2020 Hybrid Log Gamma / Pocket 6K Film to Rec 2020 Hybrid Log Gamma

Промежуточный вариант между REC 709 и изображением, записанным в режиме Log.

Pocket 4K Film to Rec 2020 PQ Gamma / Pocket 6K Film to Rec 2020 PQ Gamma

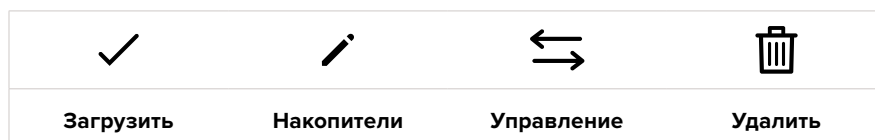
Кривая гамма-распределения на основе зрительного восприятия для эффективного кодирования HDR-файлов.

Pocket 4K Film to Video / Pocket 6K Film to Video

Цветовое пространство с характеристиками REC 709 для HD-видео с высоким уровнем контрастности и насыщенности. Такая функция будет полезной в тех случаях, когда Blackmagic Pocket Cinema Camera используется вместе с другой съемочной техникой при работе с REC 709.

Кнопки меню «LUT-ТАБЛИЦЫ»

В нижней части меню «LUT-ТАБЛИЦЫ» есть несколько значков.



Импорт LUT-таблиц

Для импорта 3D LUT-таблицы нажмите значок «Управление» в нижней части меню. Выберите «Импорт LUT-таблицы», а затем нажмите «Импортировать». Появится диалоговое окно для импорта LUT-таблицы. Чтобы выбрать место ее хранения, нажмите кнопку соответствующего носителя в верхней части сенсорного экрана. Таблицы можно импортировать с флеш-накопителя USB-C, а также с карт CFast и SD.

Камера самостоятельно осуществит поиск корневой директории и папки 3DLUTS на выбранном носителе, после чего будет выведен список доступных таблиц. Любые LUT-таблицы, сохраненные в другом месте, отображаться не будут.

Укажите таблицу, нажмите «Импортировать» для подтверждения выбора и скопируйте ее в любой доступный слот камеры.

ПРИМЕЧАНИЕ. Если не осталось доступных слотов, необходимо удалить любую из существующих таблиц, чтобы освободить место.

Если на камере уже есть LUT-таблица с таким же именем, можно перезаписать существующую или сохранить обе. В верхнем правом углу экрана появится число доступных слотов. Импортировать можно такое же количество таблиц.

ПРИМЕЧАНИЕ. При возникновении проблем с импортом LUT-таблицы проверьте ее размер. Для этого можно использовать такой LUT-редактор, как Lattice, или открыть таблицу в любом текстовом редакторе. Размер указан в виде числа рядом с тегом "LUT_3D_SIZE". Если он не равен 17 или 33, можно применить Lattice, чтобы она включала 17 координатных точек.

Применение LUT-таблиц

После сохранения LUT-таблицы на камере выберите ее в меню «LUT-ТАБЛИЦЫ» и нажмите значок «Загрузить». Это позволит применить LUT-таблицу к изображению на всех выходах камеры. Для использования LUT-таблицы на выходах камеры активируйте опцию «LUT ДЛЯ ПРОСМОТРА» в меню «МОНИТОРИНГ». Подробнее см. раздел «Настройки мониторинга».

Экспорт LUT-таблиц

Для экспорта LUT-таблицы на карту памяти или флеш-накопитель выберите LUT и нажмите кнопку «Управление». Укажите Export Selected LUT и выберите носитель для экспорта таблицы. Если уже есть LUT под таким же именем, можно перезаписать существующую или сохранить обе. LUT-таблица будет экспортирована в папку 3DLUTS.

Удаление LUT-таблиц

Чтобы удалить LUT-таблицу, выберите ее и нажмите значок «Удалить». При запросе подтверждения нажмите «Удалить».

Встроенные 3D LUT-таблицы

Когда 3D LUT-таблица используется для съемки на Blackmagic Pocket Cinema Camera в кодеке Blackmagic RAW, она сохраняется вместе с видео в заголовке файла с расширением .braw. Благодаря этому ее можно легко применять к изображению на этапе постобработки без обращения к дополнительным ресурсам.

Когда колорист или специалист по монтажу получает файлы Blackmagic RAW, он имеет быстрый доступ к 3D LUT-таблице, которая использовалась во время съемки. Ее можно применить к изображению на этапе редактирования и грейдинга или отключить в любое время.

Если в меню «ЗАПИСЬ» включена настройка «ВСТРОИТЬ LUT В ФАЙЛ», полученное видео будет открываться в приложениях Blackmagic RAW Player и DaVinci Resolve с уже встроенной в него LUT-таблицей.

Ее можно быстро активировать и отменять, но она всегда будет храниться в файле .braw вместе с самим видео. Для включения или отключения 3D LUT-таблицы в файле Blackmagic RAW нужно выбрать соответствующую настройку режима «Применить LUT-таблицу» на панели RAW в приложении DaVinci Resolve.

Она используется так же, как на камере. Благодаря этому колорист может по своему усмотрению использовать или отменить ее применение на этапе постобработки.

Ввод метаданных

Метаданные — это различная информация, сохраненная внутри клипа: номера дублей, настройки камеры и другие сведения. Она может быть полезна при сортировке и обработке материала на этапе постпроизводства. Например, номера сцен, кадров и дублей обязательны при систематизации видео, в то время как информация об объективах пригодится для автоматического исправления искажений или наложения эффектов.

Blackmagic Pocket Cinema Camera автоматически сохраняет некоторые метаданные по каждому клипу, такие как настройки съемки, тайм-код, время и дата. Для добавления дополнительных данных можно использовать табличку данных.

Табличка данных

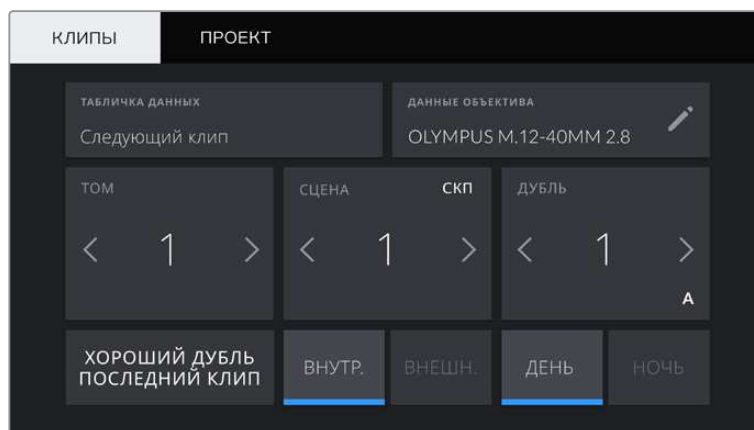
Чтобы активировать табличку, проведите пальцем по сенсорному экрану в горизонтальном направлении.

Появятся две вкладки: «КЛИПЫ» и «ПРОЕКТ». Вкладка «КЛИПЫ» содержит информацию, которая может различаться в зависимости от клипа, а на вкладке «ПРОЕКТ» хранятся общие данные для всех видеофайлов, такие как название проекта, идентификатор камеры, имя режиссера и оператора.

СОВЕТ. При активировании служебной информации для режиссера введенные метаданные отображаются при выводе через HDMI-выход. Подробнее см. раздел «Настройки мониторинга».

Метаданные на вкладке «КЛИПЫ»

Изменение метаданных клипа выполняется по-разному в режиме ожидания и воспроизведения. Когда камера готова к записи и находится в режиме ожидания, метаданные будут сохранены со следующим записываемым клипом. При выборе кнопки «ХОРОШИЙ ДУБЛЬ ПОСЛЕДНИЙ КЛИП» тег "good take" присваивается самому последнему фрагменту видео. При просмотре уже записанных кадров отображается кнопка «ХОРОШИЙ ДУБЛЬ», а метаданные относятся к текущему клипу.



Когда камера находится в режиме воспроизведения, в поле «ТАБЛИЧКА ДАННЫХ» выводится имя клипа и доступна кнопка «ХОРОШИЙ ДУБЛЬ». В режиме ожидания в поле «ТАБЛИЧКА ДАННЫХ» отображается текст «Следующий клип» и доступна кнопка «ХОРОШИЙ ДУБЛЬ ПОСЛЕДНИЙ КЛИП».

Табличка данных

Поле с информацией о клипе, метаданные которого выводятся в настоящий момент на вкладке «КЛИПЫ». В режиме воспроизведения таким клипом является текущее видео, а в режиме ожидания — следующий записываемый клип.

Данные объектива

Поле с информацией об установленном на камеру объективе. Большинство оптики с электронным управлением поддерживает автоматический вывод таких данных, как модель объектива, значение диафрагмы и фокусное расстояние. Если используемая оптика не имеет такой функции или необходимо указать дополнительные сведения, нажмите изображение карандаша в поле «ДАННЫЕ ОБЪЕКТИВА» для ввода информации вручную. Откроется меню «ДАННЫЕ ОБЪЕКТИВА», содержащее перечисленные ниже параметры.

КЛИПЫ		ПРОЕКТ	
ТИП ОБЪЕКТИВА			
OLYMPUS M.12-40MM 2.8		✎	
ДИАФР.	f2.8	✎	ФОКУСН. РАССТОЯНИЕ
			40mm
			✎
РАССТОЯНИЕ	685mm	✎	ФИЛЬТР
			Circular Polariser
			✎
Выйти		Сброс данных	

Информация, которая заполняется автоматически при использовании объектива, и введенные вручную данные о фильтре

• Тип объектива

Поле для настройки модели объектива. Если тип оптики не выводится автоматически, его можно указать вручную. Во внутренней памяти камеры есть список наиболее распространенных объективов. Для помощи при вводе данных вручную отображаются автоматические подсказки.

ТИП ОБЪЕКТИВА

OLYMP

q w e r t y u i o p

a s d f g h j k l . -

^ z x c v b n m / ,

123 <x>

Отмена Обновить

Если данные по объективу не выводятся автоматически, используйте клавиатуру для ввода вручную

• Диафрагма

Поле для настройки значений диафрагмы в момент начала клипа в шагах фокусного или динамического диапазона (в зависимости от используемой оптики и поддержки автоматического вывода данных). Нажмите в поле для ввода информации вручную.

- **Фокусное расстояние**

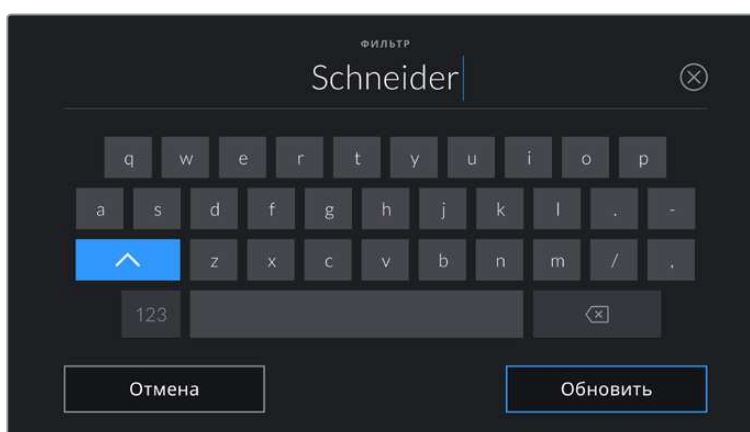
Поле для настройки фокусного расстояния в момент начала записи клипа. Указывается в мм при автоматическом выводе данных. Нажмите в поле для ввода параметра вручную.

- **Расстояние**

Показывает фокусное расстояние для записанного клипа. Некоторые объективы автоматически передают эту информацию с указанием в мм. Также возможен ввод информации вручную.

- **Фильтр**

Поле для указания применяемых в настоящий момент фильтров. Нажмите в поле для ввода информации вручную. Возможен ввод через запятую нескольких значений.



Информацию о фильтрах вводят вручную

ПРИМЕЧАНИЕ. Нажмите «Сброс данных» в меню «ДАННЫЕ ОБЪЕКТИВА», чтобы удалить данные об объективе. Появится запрос с просьбой подтвердить действие. После подтверждения все данные будут удалены и автоматически заполнены другими при установке текущего объектива. Если данные были введены вручную, необходимо их сбросить при новой установке оптики. В противном случае такие введенные вручную данные сохраняются.

Том

Поле для указания номера текущего тома.

Blackmagic Pocket Cinema Camera присваивает номера томов автоматически, поэтому обычно их не нужно вводить вручную. Если вы приступаете к новому проекту и хотите начать с тома 1, перейдите на вкладку «ПРОЕКТ» и нажмите кнопку «Сброс данных».

Сцена

Поле для указания номера текущей сцены, а также вывода типа и номера кадра.

Эти данные всегда относятся к текущей сцене. Можно изменить это число с помощью боковых стрелок, а также открыть поле для ввода значения.

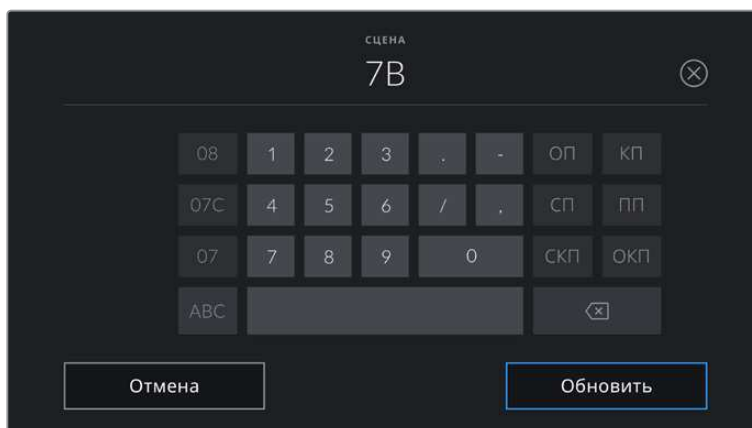
Допустимый диапазон номеров: от 1 до 9999.

Добавив к номеру сцены букву, можно указать текущий кадр. Например, 23А будет означать сцену № 23, кадр первый. Если к номеру сцены добавлена буква, при открытии поля для ввода значений будут предлагаться следующие по порядку номера сцен и буквы кадров. Например, если текущее обозначение 7В, то в качестве подсказки выводятся комбинации 8 и 7С.

В верхнем правом углу окна с номером сцены выводится информация о типе текущего кадра. Поля для выбора этого параметра расположены справа от клавиатуры.

Ниже указаны возможные типы кадров.

ОП	общий план
СП	средний план
СКП	средне-крупный план
КП	крупный план
ПП	портретный план
ОКП	очень крупный план



При вводе метаданных в поле SCENE слева от сенсорной клавиатуры выводятся подсказки с номерами сцен, справа — с типами кадров

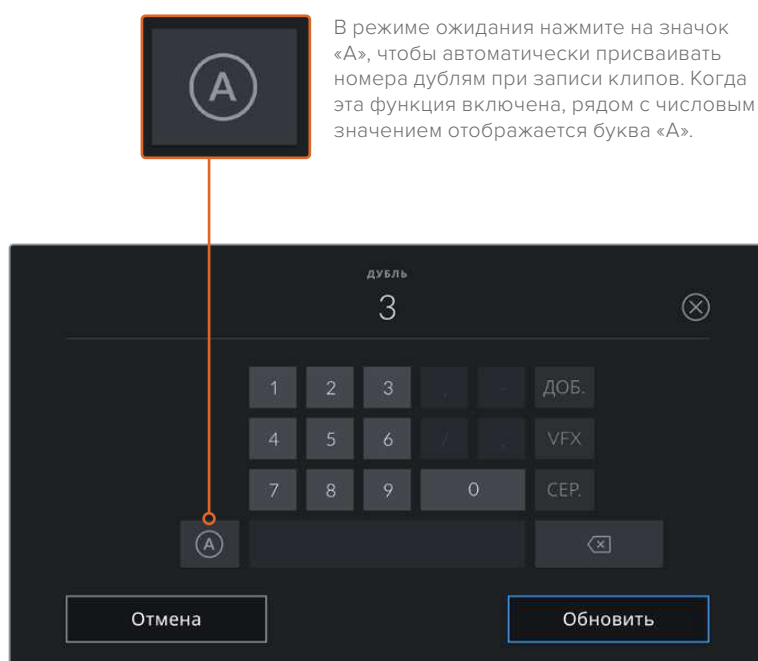
Дубль

Поле для указания номера дубля в текущем кадре. С помощью боковых стрелок это число можно изменять. Нажмите его значение, чтобы перейти к вводу номера вручную.

СОВЕТ. Когда обновляется номер кадра или буквенное значение сцены, номер дубля возвращается к значению "1".

Здесь же можно добавить описание дубля. Справа от клавиатуры находятся возможные варианты описания.

ДОБ.	Добавление. Съемка дополнительного материала к предыдущему дублю после завершения основной работы.
VFX	Визуальные эффекты. Дубль или кадр для комбинированных сцен.
СЕР.	Серия. Несколько дублей было снято, и камера продолжает работать.



В режиме ожидания нажмите на значок «А», чтобы автоматически присваивать номера дублям при записи клипов. Когда эта функция включена, рядом с числовым значением отображается буква «А».

При вводе метаданных поля «ДУБЛЬ» справа от клавиатуры предлагается возможное описание кадров

Хороший дубль

Отметьте тегом качественные дубли для удобства поиска на этапе постпроизводства. Эта кнопка присваивает тег "good take" к воспроизводимому в данный момент клипу. Если камера готова к записи и находится в режиме ожидания, кнопка «ХОРОШИЙ ДУБЛЬ ПОСЛЕДНИЙ КЛИП» позволяет присвоить тег последнему записанному клипу.

Внутренний и внешний

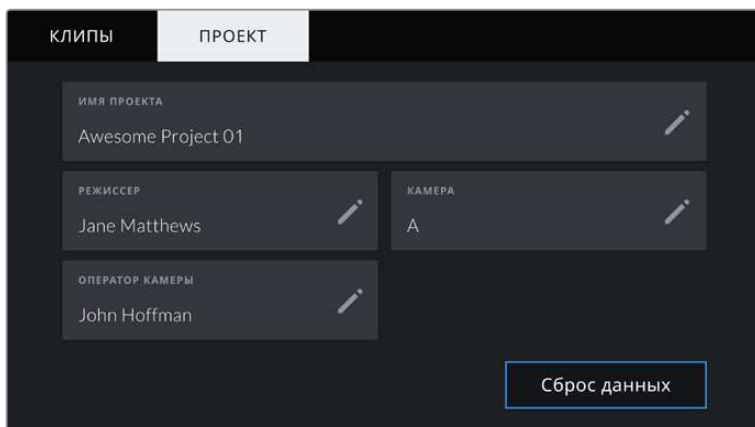
Служат для добавления тегов "interior" и "exterior" к следующему клипу в режиме ожидания или к текущему при его воспроизведении.

День и ночь

Служат для добавления тегов "day" и "night" к следующему клипу в режиме ожидания или к текущему при его воспроизведении.

Метаданные на вкладке «ПРОЕКТ»

Метаданные на вкладке «ПРОЕКТ» отображаются одинаково как в режиме ожидания, так и при воспроизведении. Они всегда связаны с проектом в целом и с отдельными клипами в соответствии с их номерами.



Ввод данных о проекте на вкладке «ПРОЕКТ»

Имя проекта

Отображает название текущего проекта. Для изменения нажмите значок карандаша.

Режиссер

Отображает имя режиссера текущего проекта. Для изменения нажмите значок карандаша.

Камера

Отображает отдельную букву идентификатора камеры. Для изменения нажмите значок карандаша.

Оператор камеры

Отображает имя оператора камеры. Для изменения нажмите значок карандаша.

Выходной сигнал камеры

Выход для мониторинга HD-материала

Полноразмерный HDMI-выход (10 бит) предназначен для вывода HD-видео в формате 1080p, что позволяет подключать камеру к мониторам или бытовым телевизорам для предварительного просмотра изображения. Также он поддерживает HDR-материал и позволяет передавать служебные параметры.

Мониторинг на устройствах с HDMI-интерфейсом удобен в тех случаях, когда нельзя использовать ЖК-дисплей (например, если камера установлена на операторском кране или на автомобиле). Чтобы изображение поступало на HDMI-выход, необходимо настроить вывод параметров с HDMI-сигналом в соответствующем меню. Сигнал будет содержать рамки кадрирования, а также информацию о состоянии записи и настройках камеры. Если необходимо просматривать только изображение, передачу служебных параметров можно отключить.

Использование модели Blackmagic Micro Converter HDMI to SDI позволяет выполнять преобразование сигнала в SDI и подключать камеру к мониторам, устройствам захвата, вещательным микшерам и другому оборудованию с SDI-интерфейсом. Кроме того, возможна подача питания на конвертер при его соединении с Blackmagic Pocket Cinema Camera через порт USB.

Работа с DaVinci Resolve

Съемка на Blackmagic Pocket Cinema Camera — это только один из этапов создания телевизионной программы или кинофильма. Не менее важную роль играют сохранение материала и его систематизация, в том числе монтаж, цветокоррекция и кодировка конечных мастер-копий. В комплект поставки входит приложение DaVinci Resolve для платформ macOS и Windows, что делает камеру полноценным решением для производства и обработки контента.



ПРИМЕЧАНИЕ. Чтобы получить оптимальный результат при грейдинге видео, снятого на Blackmagic Pocket Cinema Camera, рекомендуется использовать одну из поздних версий приложения DaVinci Resolve (начиная с 16), так как она содержит последние обновления кодека Blackmagic RAW.

При подключении SSD-диска, карты CFast или SD к компьютеру система DaVinci Resolve позволяет получить резервные копии с помощью инструмента клонирования на странице «Мультимедиа». Дублирование рекомендуется для любых накопителей, так как ни один из них не защищен от повреждений, из-за которых легко утратить отснятый материал. Имея резервные копии, клипы можно добавить в медиатеку, чтобы затем выполнить монтаж, цветокоррекцию и создать конечный продукт без использования других приложений.

Благодаря наличию функций редактирования DaVinci Resolve является не только системой нелинейного монтажа, но и современным приложением для обработки цифрового кино. Теперь любой пользователь DaVinci Resolve имеет доступ к инструментам, с помощью которых создают самые известные голливудские фильмы.

Ниже описан порядок использования DaVinci Resolve при монтаже полученного во время съемки материала. Чтобы узнать больше о функционале этого приложения, загрузите руководство по DaVinci Resolve (pdf-файл), которое содержится в разделе поддержки на веб-сайте Blackmagic Design, где также можно найти информацию об образовательных курсах и видеофильмы о работе с DaVinci Resolve.

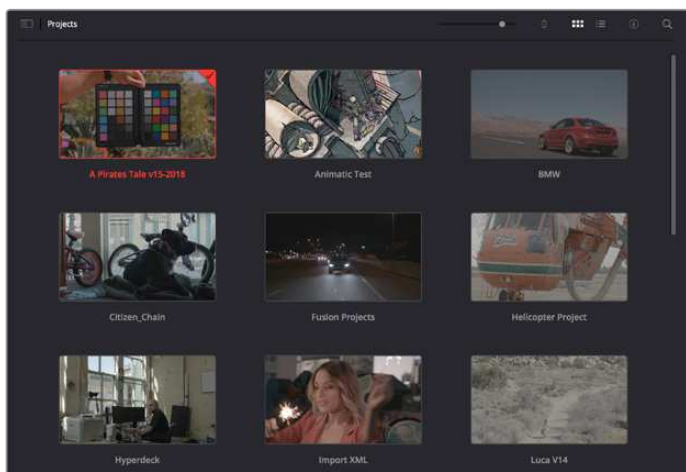
Менеджер проектов

Прежде чем импортировать клипы и начинать монтаж, необходимо создать проект с помощью менеджера проектов.

Менеджер проектов появляется при запуске приложения DaVinci Resolve, но его можно также открыть в любое время, нажав значок домашней страницы в правом нижнем углу интерфейса. С его помощью открывают существующие проекты или создают новые.

Чтобы создать новый проект, нажмите кнопку «Новый проект» в нижней части окна и дайте проекту имя. Нажмите кнопку «Создать».

К работе над клипами можно сразу приступить на странице «Сборка».



В окне менеджера проектов отображаются все проекты данного пользователя

Дополнительную информацию о менеджере проектов см. в руководстве по DaVinci Resolve, которое можно загрузить в разделе поддержки на веб-сайте Blackmagic Design.

Монтаж на странице «Сборка»

Ускоренный процесс монтажа на странице «Сборка» позволяет выполнять сведение, подгонку и редактирование клипов очень быстро и эффективно.

Две активные временные шкалы обеспечивают одновременную работу с полным эпизодом и с его более детальным вариантом. Это означает, что клипы можно добавлять в любое место на шкале общего вида, а затем редактировать их на крупной шкале в едином рабочем пространстве. Благодаря такой конфигурации монтаж легко выполнять на ноутбуке, так как отпадает необходимость масштабирования и прокрутки, что экономит много времени.

Структура страницы «Сборка»

По умолчанию на странице сборки отображаются медиатека, окно просмотра и временная шкала. Эти три основных окна обеспечивают полный контроль над процессом сведения материала.



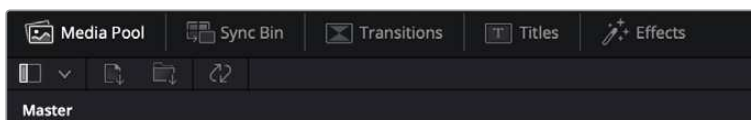
Рабочая область страницы «Сборка» по умолчанию и медиатека с клипами в виде пиктограмм

Подробнее о странице «Сборка» см. главу "Using the Cut Page" руководства по DaVinci Resolve.

Вкладки медиаконтента

В левом верхнем углу интерфейса есть пять вкладок, на которых находятся определенные компоненты для выполнения монтажа.

Первая вкладка «Медиатека» уже выбрана. Остальные называются «Синхроящик», «Переходы», «Титры» и «Эффекты».



- Медиатека. Здесь находятся все клипы, папки и файлы, импортированные на стр. «Мультимедиа». Чтобы туда не возвращаться, файлы можно также импортировать напрямую со стр. «Сборка».
- Синхроящик. Этот мощный инструмент автоматически синхронизирует все клипы по тайм-коду, дате и времени, что позволяет быстро выбирать разные ракурсы материала многокамерной съемки.
- Переходы. Эта вкладка содержит видео- и аудиопереходы, в том числе наплывы и вытеснения, которые можно использовать при монтаже.
- Титры. Здесь можно выбрать разные виды титров, например прокрутку, стандартный текст или титры в нижней трети экрана. Кроме того, на этой вкладке приведен большой список шаблонов Fusion, позволяющих добавлять более динамичные анимированные титры, настройка которых выполняется на стр. Fusion.
- Эффекты. Пятая вкладка содержит различные фильтры и эффекты, например размытие, свечение и эффекты оптики, используемые для придания материалу дополнительного разнообразия. Список довольно большой, и поэтому для облегчения поиска предусмотрено специальное окошко.

СОВЕТ. Рядом со значками вкладок медиаконтента находится инструмент поиска. Если, например, выбрать вкладку переходов и напечатать в поле поиска слово «наплыв», то в окне отобразятся только переходы с наплывом, что значительно ускорит поиск нужного перехода.




Вкладки окна просмотра

В левом верхнем углу окна просмотра расположены кнопки режимов просмотра.



Кнопки режимов просмотра

С помощью этих кнопок можно включать режимы «Исходный клип», «Исходная кассета» или «Временная шкала». Они играют очень важную роль при выборе клипов для монтажа, поэтому стоит вкратце остановиться на каждом из них.



	Исходный клип	В этом режиме в окне просмотра отображается только один клип из медиатеки. На нем можно быстро устанавливать и корректировать точки входа и выхода, используя временную шкалу окна просмотра. Чтобы выбрать исходный клип, его нужно щелкнуть дважды в медиатеке или просто перетащить в окно.
	Исходная кассета	Данный режим позволяет видеть все находящиеся в медиатеке исходные клипы. Этот вид очень удобен, если необходимо быстро пройти по всем клипам и отыскать определенное событие. По мере перемещения курсора воспроизведения по клипам в медиатеке выделяются соответствующие пиктограммы. Когда нужный фрагмент найден, можно переключиться в режим «Исходный клип», и он автоматически появится в окне просмотра. Окно просмотра исходной кассеты позволяет воспользоваться определенными преимуществами нелинейного монтажа, обеспечивая больше свободы действий, возможность быстрого поиска нужных кадров и воплощения новых идей.
	Временная шкала	В этом режиме в окне просмотра воспроизводятся клипы со временной шкалы страницы «Монтаж».

Импорт клипов в медиатеку

Медиафайлы можно легко импортировать в проект из медиатеки страницы «Сборка» с помощью расположенных сверху инструментов.



Инструменты импорта медиаконтента в проект

	Импортировать мультимедиа	С помощью этого инструмента можно импортировать из хранилища отдельные медиафайлы.
	Импортировать папку мультимедиа	Данная опция позволяет импортировать целую папку. При этом относительное местоположение файлов сохраняется, и для каждой папки создается отдельный ящик, что облегчает навигацию и поиск нужного материала.

Порядок импорта медиафайлов

- 1 Щелкните значок «Импортировать мультимедиа» или «Импортировать папку мультимедиа».
- 2 Перейдите в место хранения импортируемого контента.
- 3 Выберите файл или папку и нажмите кнопку «Открыть».

После добавления в проект нового материала рекомендуется сохранить изменения. В приложении DaVinci Resolve предусмотрена функция автоматического сохранения с постоянным временным интервалом. Она активируется после первого сохранения проекта и исключает вероятность утраты внесенных изменений.

Подробнее об автоматическом режиме и других настройках сохранения см. руководство по DaVinci Resolve.

Добавление клипов на временную шкалу

Теперь, после ознакомления с функциями вкладок медиаконтента и кнопок режимов просмотра, можно начинать добавлять клипы из медиатеки на временную шкалу.



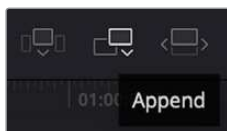
На стр. «Сборка» есть верхняя временная шкала и увеличенная нижняя шкала

Временная шкала представляет собой монтажный стол с дорожками, на которые добавляют клипы, перемещают их и выполняют подгонку. Такая структура позволяет размещать клипы слоями, обеспечивая дополнительную гибкость при использовании переходов и эффектов. К примеру, на верхнюю дорожку можно внести отдельный клип, который не будет влиять на другие клипы, находящиеся снизу.

Есть разные способы добавления клипов на временную шкалу, в том числе смарт-вставка, добавление в конец и размещение сверху.

Добавление клипов в конец

Прежде чем начинать сведение материала, нужные кадры обычно добавляют на временную шкалу в последовательном порядке. Для выполнения этой операции, после чего сразу можно приступить к монтажу, идеально подходит инструмент «Добавление».



Чтобы добавить новый клип в конец предыдущего, щелкните значок «Добавление»

Порядок добавления клипа

- 1 Дважды щелкните по клипу в медиатеке, чтобы открыть его в окне просмотра.
- 2 С помощью маркеров оперативной подгонки перетащите точки входа и выхода, чтобы откорректировать длительность фрагмента. Для установки точек входа и выхода можно также использовать клавиши "I" и "O".

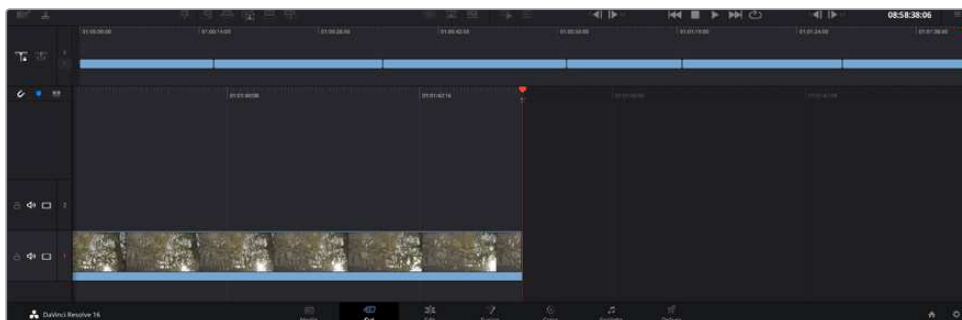


- 3 Нажмите значок «Добавить», расположенный под панелью медиатеки.



Первый клип будет помещен в начале временной шкалы.

Повторите шаги 1-3 несколько раз. Клипы автоматически становятся друг за другом, не оставляя промежутков.



При использовании инструмента «Добавление» между клипами не остается промежутков

СОВЕТ. Этот процесс можно еще более ускорить, если для активирования функции «Добавить» назначить отдельную клавишу. Например, если назначить клавишу "P", то после установки точек входа и выхода с помощью "I" и "O" для добавления клипа следует нажать "P". Подробнее о назначении сочетания клавиш см. руководство по DaVinci Resolve.

Редактирование клипов на временной шкале

После добавления клипов на временную шкалу их можно сдвигать и обрезать.

Чтобы обрезать клип, наведите указатель мыши на начало или конец клипа, а затем щелкните и перетащите его влево или вправо. Например, перетащите конец клипа влево или вправо, чтобы уменьшить или увеличить его длительность. При выполнении операции все клипы на временной шкале сдвинутся соответствующим образом. Это один из способов экономии времени при работе на стр. «Сборка».

Клип можно также легко вставить на новую видеодорожку большой временной шкалы, не изменяя при этом ее масштаб. Это значительно ускоряет процесс монтажа, поскольку уменьшается время навигации по длинной линейке.

После редактирования можно приступить к добавлению титров. Этот процесс описан в следующем разделе.

Добавление титров

На временную шкалу можно добавлять титры разных типов.

Чтобы их увидеть, нажмите соответствующий значок «Титры» в левом верхнем углу интерфейса. На панели появится список титров, в том числе разные виды нижней трети, прокрутка и стандартное текстовое название. Дополнительно приведены анимированные титры Fusion с изменяемыми параметрами.

Для примера добавим стандартное название.

Для этого выполните описанные ниже действия.

1 Щелкните по титру под названием «Текст» и перетащите его на временную шкалу. Не важно, на какую шкалу добавлять, но для более точного размещения мы рекомендуем использовать крупную шкалу. Для титра, который прикрепится к курсору воспроизведения, автоматически появится новая видеодорожка.

2 Отпустите кнопку мыши, и на эту дорожку будет добавлен выбранный титр. Его положение или длительность можно менять так же, как и других клипов.

3 Чтобы отредактировать этот титр, щелкните по его клипу, а затем нажмите появившийся под окном просмотра значок «Инструменты».

Появится ряд инструментов, в том числе «Преобразование», «Обрезка» и «Динамическое масштабирование», с помощью которых можно редактировать клип с титром. Щелкните по значку «Название».

4 Теперь нажмите «Открыть Инспектор».

Откроется окно инспектора, в котором можно вносить текст названия и изменять его настройки, например отслеживание, междустрочный интервал, начертание и цвет шрифта и т. д.

Для редактирования титров предусмотрено довольно много параметров. Рекомендуем поэкспериментировать с ними, чтобы лучше понять их функции.

Работа с файлами Blackmagic RAW

Кодек Blackmagic RAW дает максимум гибкости при постобработке. Это позволяет менять баланс белого и светочувствительность таким же образом, как корректируют настройки камеры. В результате сохраняется информация о тональности в областях тени и света, которая бывает полезна при восстановлении утраченной детализации.

Если необходимо получить кадры самого высокого качества или материал имеет широкую градацию от света до тени, рекомендуется вести съемку в Blackmagic RAW. Это позволит максимально эффективно выполнить цветокоррекцию.

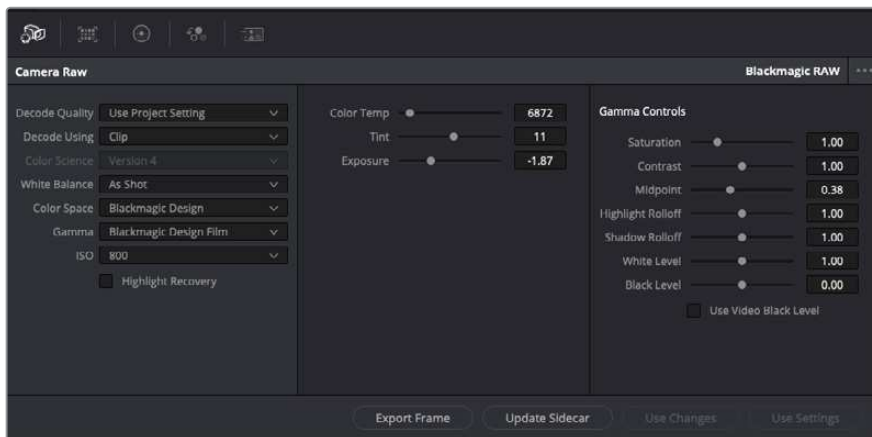
Кроме того, файлы с расширением .braw имеют небольшой размер, поэтому их можно просматривать как обычный видеоклип. Подробнее об особенностях кодека Blackmagic RAW и обработке такого материала в DaVinci Resolve см. следующую главу.

СОВЕТ. Прежде чем начинать выполнение цветокоррекции, рекомендуется сначала откорректировать настройки Blackmagic RAW для клипов на стр. «Цвет».

Настройки «Клип» для работы с Blackmagic RAW

При импорте файлов Blackmagic RAW в приложение DaVinci Resolve выполняется декодирование параметров ISO, баланса белого и оттенка, которые были установлены на камере при съемке. Если вас устраивает цветовой ряд этих настроек, можно сразу приступить к монтажу.

Преимущество съемки в Blackmagic RAW заключается в том, что настройки легко поменять. Широта доступных вариантов постобработки при использовании формата Blackmagic RAW позволяет выполнять ее по своей системе, а настройки «Клип» на вкладке «Настройки RAW камеры» дают возможность экспериментировать и подбирать нужную цветовую схему.



Чтобы изменить настройки Blackmagic RAW для отдельного клипа, выберите «Клип» в раскрывающемся меню «Для декодирования использовать» на вкладке «Настройки RAW камеры»

После выбора настройки «Клип» для работы с кодеком Blackmagic RAW параметры клипа и полутонов можно менять. Это позволит максимально приблизить изображение к версии с полноценным первичным грейдингом. Особенно полезны в этом случае индикаторы, которые помогают нейтрализовать и сбалансировать клипы для создания цветовой схемы.

Подробнее о параметрах клипа и полутонов см. разделы ниже.

ISO

Изменяя значение ISO, можно сделать начальную точку светлее или темнее для удобства в дальнейшей работе.

Восстановление светлых тонов

Поставьте флажок для восстановления данных на светлых участках в местах засветки с помощью информации, взятой из неповрежденных каналов.

Цветовая температура

С помощью этой настройки изображения можно сделать более теплыми или холодными, нейтрализуя таким образом баланс цвета.

Оттенок

Добавление зеленого или пурпурного оттенка помогает сбалансировать цвет изображения.

Экспозиция

Используется для более точной настройки яркости всего изображения.

Насыщенность

Для насыщенности по умолчанию используется настройка 1; полный диапазон значений составляет от -1 (минимум) до +4 (максимум).

Контрастность

По умолчанию используется настройка 1,0. Передвиньте слайдер влево, чтобы уменьшить значение до 0, или вправо, чтобы увеличить его до 2.

Средняя точка

При настройке Blackmagic Design Film средняя точка по умолчанию имеет значение 0,38 или 38,4%. Для уменьшения передвиньте слайдер влево, для увеличения до 100 — вправо. При изменении установленного по умолчанию значения контрастности коррекцию можно выполнять изменением перехода светлых и темных тонов.

Переход светлых тонов

Чтобы уменьшить значение до 0, передвиньте слайдер влево, чтобы увеличить до 2 — вправо. По умолчанию используется значение 1.

Переход темных тонов

Чтобы уменьшить значение до 0, передвиньте слайдер влево, чтобы увеличить до 2 — вправо.

Уровень белого

С помощью слайдера можно настроить уровень белого на кривой полутонов в диапазоне от 0 до 2. По умолчанию используется значение 1.

Уровень черного

С помощью слайдера можно настроить уровень черного на пользовательской кривой полутонов в диапазоне от -1 до 1. По умолчанию используется значение 0.

Использовать уровень черного

Поставьте флажок для этой опции, если нужно использовать уровень черного, принятый для видеоматериала.

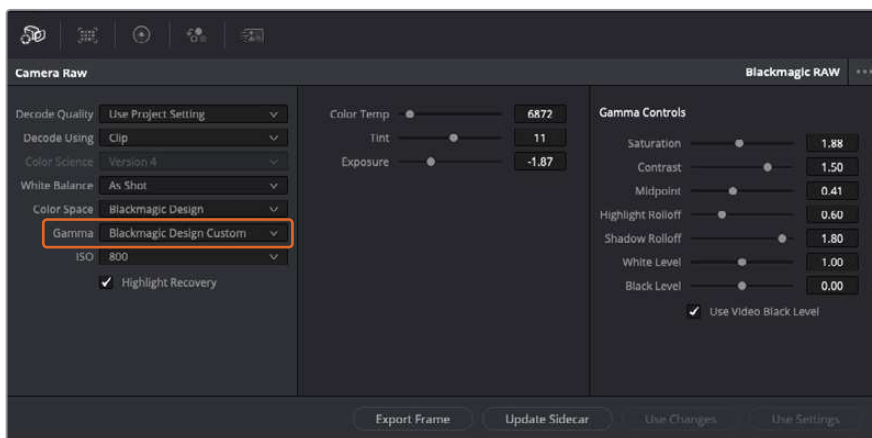
Экспортировать кадр

Кнопка «Экспортировать кадр» позволяет экспортировать отдельный кадр из клипа в формате Blackmagic RAW.

Обновить Sidcar-файл

Кнопка «Обновить Sidcar-файл» служит для обновления файла .sidcar в текущем клипе.

Если параметры в клипах Blackmagic RAW были изменены, для настройки полутонов отображается опция Blackmagic Design Custom.



Чтобы вернуться к версии с одной из настроек полутонов по умолчанию, выберите нужную опцию в соответствующем раскрывающемся меню

СОВЕТ. Элементы управления полутонами отключены в том случае, если материал снят в режиме «Видео», однако информация кодека Blackmagic RAW не утрачивается. Чтобы выполнить коррекцию параметров, выберите для настройки «Полутона» опцию Blackmagic Design Film или Blackmagic Design Extended Video.

Сохранение изменений в файле .braw

- 1 Измените параметры полутонов для клипа в кодеке Blackmagic RAW.
- 2 Нажмите кнопку «Обновить Sidcar-файл».

Теперь в папке будет два файла: с расширением .braw и .sidecar. Если другой пользователь импортирует клип в кодеке Blackmagic RAW, файл .sidecar будет автоматически считываться в приложении DaVinci Resolve. При внесении новых изменений нажмите «Обновить Sidecar-файл» еще раз.

СОВЕТ. Чтобы не использовать файл .sidecar, удалите его из исходной папки.

Настройки проекта для работы с Blackmagic RAW

Если вы хотите применить новые значения ко всем клипам (например, изменить баланс белого или параметры ISO), это можно сделать на панели «Настройки RAW камеры».

Порядок установки настроек проекта для работы с Blackmagic RAW

- 1 В меню «Файл» выберите «Настройки проекта».
- 2 На вкладке «Настройки RAW камеры» рядом с профилем RAW есть раскрывающееся меню. Выберите Blackmagic RAW.
- 3 В раскрывающемся меню «Для декодирования использовать» выберите «Проект».
- 4 Для настройки «Баланс белого» выберите опцию «Личные настройки».
- 5 Для настройки «Полутона» выберите опцию Blackmagic Design Custom. Для настройки «Цветовое пространство» выберите опцию Blackmagic Design. Для настройки «Полутона» будет установлена опция Blackmagic Design Film.
- 6 В меню «Качество декодирования» выберите разрешение. На компьютерах небольшой мощности низкое значение обеспечит улучшенное воспроизведение. Перед созданием конечной версии можно вернуться к полному разрешению.

После этого можно изменить дополнительные параметры клипов, в том числе насыщенность, контрастность и среднюю точку. Такие действия затронут все клипы проекта, для которых в настройке «Для декодирования использовать» была выбрана опция «Проект».

Цветокоррекция клипов на стр. «Цвет»

После добавления на временную шкалу клипов и титров можно приступить к выполнению цветокоррекции на стр. «Цвет». Она содержит довольно широкий набор инструментов, с помощью которых задают общую палитру всему фильму. В данном же случае в целях достижения единообразия цветовую схему клипов сначала рекомендуется нейтрализовать. Если клипы нужно дополнительно отредактировать, вернитесь на стр. «Сборка» или «Монтаж».

Страница «Цвет» позволяет менять общую палитру всего видеоматериала, а сам процесс цветокоррекции можно вполне считать видом искусства, ведь колорист добавляет изображению эмоциональные краски. Это очень творческая часть рабочего процесса, от которой получаешь огромное удовольствие, когда видишь плоды своего труда. Начальная стадия называется первичной цветокоррекцией или глобальной установкой цвета. После ее завершения приступают ко вторичной цветокоррекции, во время которой вносят мелкие изменения в тональность определенных объектов на изображении. Для повышения эффективности и получения наилучших результатов к данному этапу следует переходить после первичной цветокоррекции.

Чтобы открыть страницу работы с цветом, выберите вкладку «Цвет».

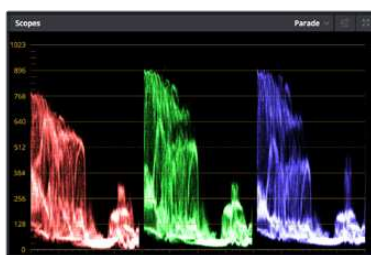
Она содержит настройки RAW камеры, цветовые круги, панели кривых и инструменты грейдинга, а также окна просмотра и узлов. Все эти функции позволяют создавать самые сложные и оригинальные цветовые решения. В данном разделе приводится базовое описание процессов. Более подробную информацию об инструментах и операциях смотрите

в соответствующих разделах руководства. Изложенные в простой форме инструкции помогут вам овладеть такими же приемами, которые используют профессионалы на студиях грейдинга.

На этапе первичной цветокоррекции обычно выполняют обработку темных, средних и светлых тонов, то есть изменяют параметры «Тени», «Полутона» и «Свет». Это позволяет получить светлое сбалансированное изображение, которое служит отправной точкой для создания визуального ряда в необходимой цветовой гамме. При оптимизации изображения часто используют индикаторные диаграммы.

Работа с индикаторными диаграммами

Большинство колористов создают цветовые решения, отталкиваясь от собственного представления о том, какие эмоции должен передавать визуальный ряд. Вдохновение для такой работы можно черпать из повседневной жизни, если наблюдать за предметами при различном освещении.



RGB-дисплей помогает получить оптимальный вид областей света, полутона и тени

Другой способ грейдинга — работа со встроенными диаграммами, которые помогают установить необходимый баланс цвета. Кнопка «Диаграммы» (вторая справа на панели инструментов) позволяет открыть одну из следующих диаграмм: форма волны, RGB-дисплей, вектороскоп и гистограмма. С их помощью можно контролировать баланс тонов, проверять уровни видео, чтобы не допускать затемнения или засветки изображения, а также выявлять преобладание отдельных оттенков.

Панель «Цветовые круги» содержит инструменты для работы с параметрами «Тени», «Полутона» и «Свет», которые обычно используются для первичного грейдинга. Этим она похожа на средства установки цвета и регулировки контрастности в других приложениях.



Круги «Тени», «Полутона», «Свет» и «Смещение» предназначены для изменения параметров цвета и баланса тонов. Чтобы выполнить глобальную коррекцию всех цветов для каждой области, перетащите колесики под цветовыми кругами вперед или назад.

Для более точной настройки параметров каждого цвета в отдельности используйте компьютерную мышь либо измените цветовую панель на «Полосы первичной цветокоррекции» для корректировки яркости. Опцию «Полосы первичной цветокоррекции» можно выбрать из раскрывающегося меню, которое находится сверху справа от цветовых кругов.

- **Корректировка параметра «Тени».** Выберите клип на временной шкале и нажмите на колесико шкалы «Тени» под первым цветовым кругом. Перетащите колесико вперед или назад и посмотрите, как изменится изображение. Яркость областей тени будет увеличиваться или уменьшаться.
Установите колесико в положение, при котором эти области имеют оптимальный вид. При слишком низком значении отдельные детали в областях тени станут неразличимыми. Наилучший результат достигается в том случае, когда уровень сигнала на RGB-дисплее находится непосредственно над нижней линией.
- **Корректировка параметра «Свет».** Нажмите на колесико шкалы «Свет» и перетащите его вперед или назад. Это действие позволяет изменить вид областей света, которые являются наиболее яркими участками изображения. На RGB-дисплее этим областям соответствует сигнал в верхней части экрана. Чтобы получить яркое изображение, уровень сигнала должен находиться непосредственно под верхней линией. Если уровень поднимается над верхней линией, области света будут иметь эффект засветки, и их отдельные детали станут неразличимы.
- **Корректировка параметра «Полутона».** Нажмите на колесико шкалы «Полутона» под цветовым кругом и перетащите его вперед или назад. По мере увеличения этого параметра яркость изображения будет возрастать. Одновременно с перемещением колесика будет меняться форма волны в средней части диаграммы, которая соответствует области полутонов. Изображение имеет оптимальный вид, когда значение этого параметра находится в границах между 50 и 70%. В зависимости от создаваемой цветовой гаммы и условий освещенности эти рамки могут быть расширены.

Для выполнения первичной цветокоррекции можно также использовать кривые. Чтобы изменить общую контрастность изображения для всех трех каналов (RGB), создайте точки на диагональной линии, щелкнув кнопкой мыши в нужных местах, и перетащите их вверх или вниз. Для оптимального результата лучше выбрать точки в верхней и нижней третях, а также посередине.

Первичную цветокоррекцию можно выполнять многими другими способами.



Панель кривых — еще один инструмент для выполнения первичной цветокоррекции или выделения отдельных областей при использовании Power-зоны

Вторичная цветокоррекция

Вторичная цветокоррекция используется для обработки отдельных участков изображения. Предыдущий этап называется первичной цветокоррекцией, потому что все изменения параметров «Тени», «Полутона» и «Свет» затрагивают целое изображение.

Если изменения необходимо применить только к отдельным участкам изображения (например, сделать более естественным цвет травы в кадре или более насыщенным цвет неба), используют вторичную цветокоррекцию. Для этого выбирают отдельный фрагмент изображения и работают только с ним. Благодаря узловой структуре можно выполнять любое количество действий и получать именно тот эффект, который нужен. С помощью Power-зоны и трекинга изменения легко применить к выбранным объектам даже в том случае, если они двигаются.

Отбор цвета

Иногда колористу нужно увеличить интенсивность отдельного цвета (например, сделать более сочной траву и более ярким небо) или скорректировать его, чтобы привлечь внимание зрителя к какому-нибудь предмету. Это можно сделать с помощью инструмента HSL.



Инструмент HSL в окне «Квалификатор» помогает выделять цвета в изображении, если нужно увеличить контрастность или подчеркнуть отдельные детали

Порядок отбора цвета

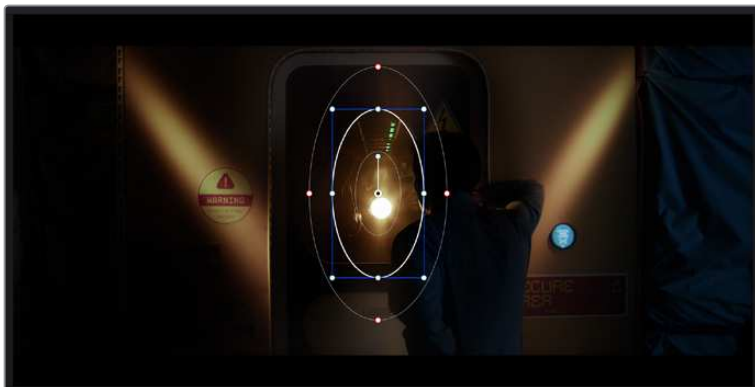
- 1 Добавьте новый последовательный узел.
- 2 Откройте панель «Квалификатор» и убедитесь в том, что используется селектор в разделе «Выбранный диапазон».
- 3 Щелкните кнопкой мыши на том цвете, который нужно обработать.
- 4 Обычно требуется дополнительно изменить отдельные параметры, чтобы сделать более ровными края области с выбранным цветом. Нажмите кнопку «Выделить» над окном просмотра, чтобы увидеть выбранную область.
- 5 В окне «Тон» настройте параметр «Шир.», чтобы расширить или сузить границы выбранной области.

Изменяя параметры «Высок.», «Низк.» и «Мягк.», создайте область с оптимальными границами. Теперь можно выполнить коррекцию выбранного цвета с помощью цветовых кругов или пользовательских кривых.

Иногда выбранный цвет может присутствовать в областях кадра, которые нужно исключить из обработки. Для маскирования таких областей применяют Power-зону. Создайте новое окно и используйте его для выбора только необходимого участка цвета. Если предмет этого цвета будет двигаться, функция трекинга поможет сохранить изменения для Power-зоны.

Добавление Power-зоны

Power-зона — мощный инструмент вторичной цветокоррекции, с помощью которого легко изолировать отдельные участки клипа. Эти участки необязательно должны быть статичными — положение предметов в кадре может меняться в зависимости от угла съемки, и сами предметы тоже могут двигаться.



Power-зона используется для исключения участков, которые не должны быть затронуты обработкой с помощью инструмента HSL

Например, если выделить фигуру человека, новые параметры цвета и контрастности будут применены только к данной области и не затронут остальную часть изображения. Благодаря этой функции колористы акцентируют внимание зрителя на нужных деталях.

Порядок добавления Power-зоны

- 1 Добавьте новый последовательный узел.
- 2 Откройте панель «Окно» и выберите нужную фигуру, щелкнув кнопкой мыши на соответствующем значке. В узле будет добавлена зона выбранной формы.
- 3 Для изменения границ зоны используйте синие точки по контуру фигуры. Красные точки позволяют скорректировать резкость краев. Нажмите на центральную точку фигуры и поместите ее в ту область, которую нужно изолировать. Для поворота фигуры используют точку, соединенную с центром.

Теперь цветокоррекция будет применяться только к выделенной области изображения.



Power-зона позволяет выполнять вторичную цветокоррекцию отдельных участков изображения

Трекинг зон

Так как камера и предметы в кадре могут двигаться, для привязки зоны к выбранному участку используют функцию отслеживания. Она анализирует положение камеры и перемещение предметов, позволяя сохранить заданные зоны. Если этого не сделать, цветокоррекция может затронуть те области, которые изначально не были выбраны.



С помощью функции отслеживания можно привязать Power-зону к движущемуся предмету

Отслеживание зоны на движущемся объекте

- 1 Создайте новый последовательный узел и добавьте Power-зону.
- 2 Перейдите в начало клипа, затем выберите положение и размер зоны, чтобы она охватывала только нужный участок изображения.
- 3 Откройте панель «Отслеживание». В зависимости от характера движения выберите анализ параметров «Панорамирование», «Наклон», «Масштабирование», «Поворот» и «3D-перспектива», поставив или сняв флажок в соответствующем поле.
- 4 Нажмите на кнопку «Отслеживание вперед» слева от настраиваемых параметров. DaVinci Resolve будет использовать несколько точек отслеживания для анализа движения в последовательности кадров, поэтому Power-зона останется привязанной к выбранной области изображения.

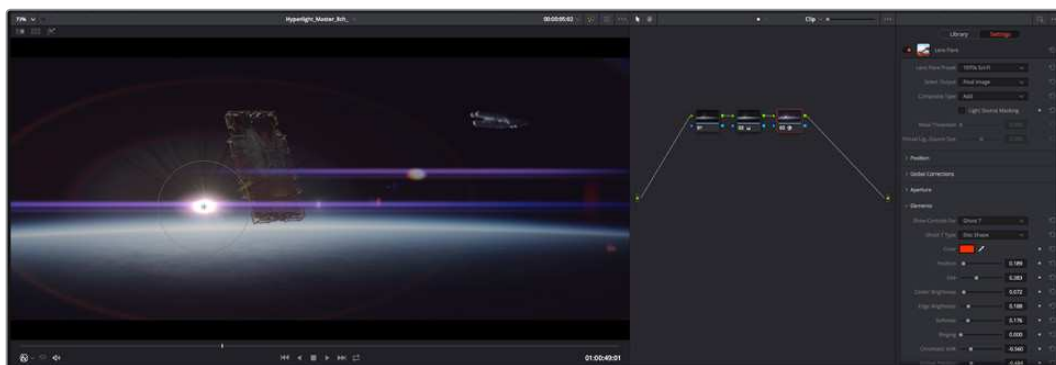
В большинстве случаев автоматическое отслеживание бывает успешным, однако для некоторых сложных сцен может потребоваться ручная обработка с помощью редактора ключевых кадров. Более подробно эта функция описана в руководстве по DaVinci Resolve.

Использование плагинов

При выполнении вторичной цветокоррекции можно использовать плагины ResolveFX или OpenFX, которые позволяют создавать оригинальные цветовые решения на странице «Цвет» и добавлять переходы на странице «Монтаж». Плагины ResolveFX устанавливаются вместе с приложением, а OFX предлагают сторонние производители программного обеспечения.

После установки набора плагинов OFX для доступа к ним или к ResolveFX перейдите на страницу «Цвет» и откройте панель OpenFX, которая находится справа от редактора узлов. Создав новый последовательный узел, нажмите кнопку OpenFX и перетащите плагин на этот узел. Если настройки плагина можно изменить, используйте панель «Настройки».

На странице «Монтаж» с помощью плагинов можно добавлять эффекты, переходы и фильтры. Для этого откройте панель OpenFX в библиотеке эффектов и перетащите выбранный плагин на видеоклип или дорожку над ним на временной шкале.



Плагины OFX — удобный и простой способ создания оригинального визуального ряда

Микширование звука

Микширование звука на странице «Монтаж»

После редактирования и цветокоррекции видео можно приступить к обработке звука. В DaVinci Resolve есть ряд инструментов для монтажа и создания мастер-копии аудиодорожки непосредственно на странице «Монтаж». Комплексное микширование доступно на специальной странице Fairlight, которая имеет целый набор средств для полноценного сведения звука. Их описание содержится в следующем разделе.

Добавление звуковых дорожек

Для наложения звуковых эффектов и музыки на странице «Монтаж» можно добавить новые дорожки. Такой способ обработки помогает создать целостное звуковое сопровождение, состоящее из диалогов, музыкального фона и дополнительных эффектов.

Порядок добавления звуковой дорожки на странице «Монтаж»

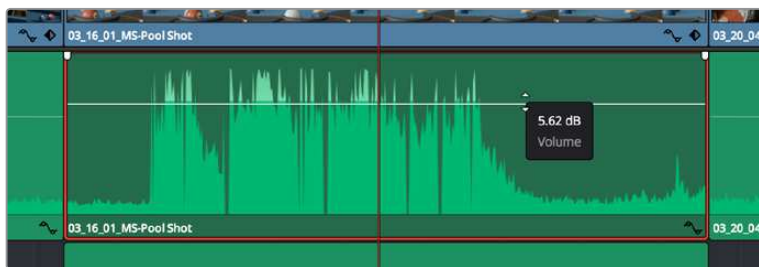
Щелкните правой кнопкой мыши рядом с названием любой звуковой дорожки на временной шкале, выберите «Добавить дорожку», затем одну из опций (Mono, Stereo или 5.1). Новая дорожка будет добавлена внизу списка. Также можно выбрать «Добавить дорожки...» и указать место, куда нужно поместить одну или несколько новых дорожек.

На временной шкале появится новая звуковая дорожка.

СОВЕТ. Если тип дорожки нужно изменить после ее создания, щелкните правой кнопкой мыши рядом с названием, выберите «Изменить тип дорожки на», затем одну из опций (Mono, Stereo или 5.1).

Настройка уровней звука на временной шкале

Каждый клип на временной шкале имеет отдельную настройку уровня звука, изменить который можно простым перетаскиванием указателя с помощью мыши. Эта настройка соответствует значению «Громкость» на панели «Инспектор».

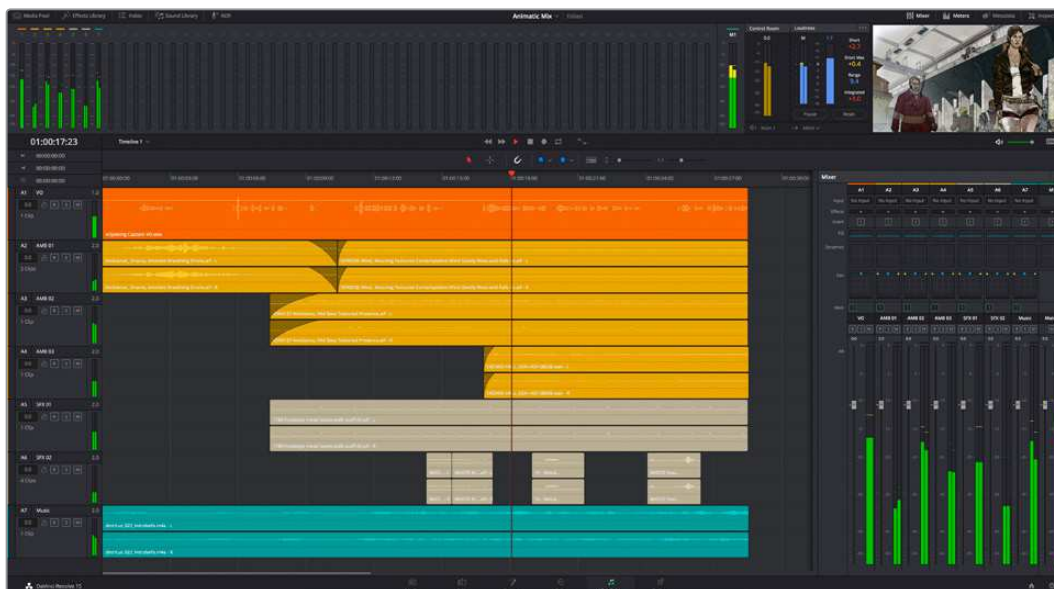


Уровень звука меняется перетаскиванием указателя

Для комплексного микширования используется страница Fairlight, которая содержит полный комплект инструментов для постобработки звука.

Страница Fairlight

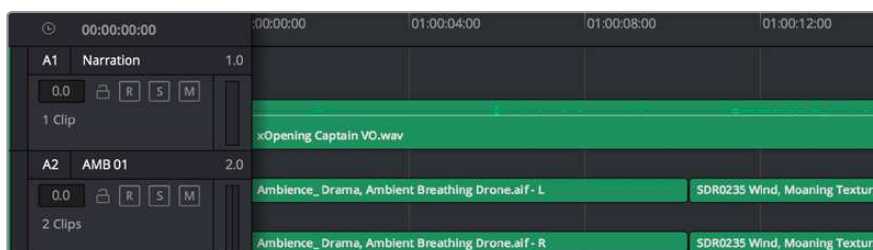
Страница Fairlight приложения DaVinci Resolve служит для обработки звука. Позволяя увидеть все аудиодорожки проекта в режиме одного экрана, она имеет целый набор инструментов для расширенного микширования и пользовательские средства мониторинга. Это упрощает проверку качества звукового сопровождения и настройку уровней сигнала для создания оптимальной мастер-версии.



Данный раздел содержит описание основных функций, представленных на странице Fairlight. Подробнее о каждом инструменте и способах их применения см. в руководстве по DaVinci Resolve.

Звуковая временная шкала

- **Заголовок дорожки.** С левой стороны в заголовке каждой дорожки указаны ее номер, название и цвет, а также отображаются аудиоканалы, уровень фейдера и индикаторы звука. Там же можно установить и снять блокировку дорожек, выбрать вывод отдельного трека и отключить аудио. Эти органы управления позволяют систематизировать дорожки и просматривать каждую из них по отдельности.
- **Дорожки.** Для редактирования и микширования каждая дорожка на странице Fairlight разделена на полосы, которые соответствуют индивидуальным каналам аудиосигнала. На временной шкале страницы «Монтаж» эти каналы скрыты, а для удобства обработки отображается весь клип с целостным звуковым сопровождением.



A1 — монодорожка с одной полосой, A2 — стереодорожка с двумя полосами

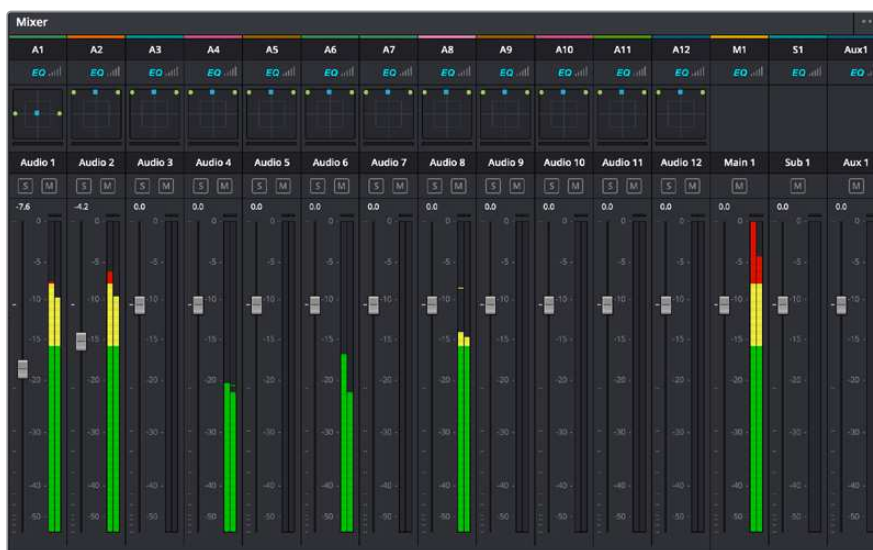
Понятие шины

Шина — это канал для сведения нескольких звуковых дорожек с временной шкалы в один сигнал, которым можно управлять как единым элементом.

- **Основная шина.** Обычно это основная шина программного вывода, куда по умолчанию сводится звук со всех дорожек текущего проекта. Она объединяет их на временной шкале в единый сигнал и позволяет устанавливать его общий уровень после корректировки параметров каждого отдельного компонента.
- **Субмикс-шина.** Эта шина служит для сведения воедино нескольких треков одной категории (например, диалоги, музыка и звуковые эффекты), чтобы было удобно выполнять их пакетную обработку. Так, на нее можно направить все дорожки с диалогами, а затем выбрать для них одинаковые параметры с помощью одного набора настроек. Предусмотрен рендеринг как отдельно для вспомогательной шины, так и для всего материала на основной шине.

Микшер

Каждая дорожка на временной шкале соответствует отдельному каналу на панели «Микшер». Звуковое сопровождение для основной шины отображается в виде одной полосы и по умолчанию имеет обозначение M1. Если создать дополнительные основные и субмикс-шины, в правой части экрана для них появятся свои полосы с набором графических органов управления. Они позволяют назначать каналы для вывода, настраивать параметры эквалайзера и динамики, устанавливать уровень сигнала и автоматизировать задачи, задавать пространственные характеристики объемного и стереозвука, отключать или прослушивать только один трек.



Аудиомикшер с каналами, которые соответствуют дорожкам на временной шкале

Работа с эквалайзером

После того как настроены уровни звука, иногда требуется его дополнительная обработка. Когда диалоги, музыка и эффекты имеют одинаковые частотные характеристики, звуковое сопровождение клипа становится слишком насыщенным и трудным для восприятия. В этом случае можно использовать эквалайзер, чтобы задать участки спектра для каждой дорожки. Также он позволяет удалить нежелательные элементы путем изолирования частот, содержащих различные помехи в виде шума, и уменьшения соответствующего уровня.

DaVinci Resolve имеет фильтры, которые можно применить как ко всему клипу, так и к отдельной дорожке. Для любого клипа на временной шкале доступна обработка с помощью

четырёхполосного эквалайзера в окне «Инспектор», а для треков на панели «Микшер» — с помощью шестиполосного параметрического эквалайзера. При создании кривой нужной формы используют графические органы управления и числовые значения, которые позволяют усилить или ослабить отдельные частотные диапазоны, а также фильтры разных видов.



Клипы на монтажной линейке можно обрабатывать с помощью четырёхполосного эквалайзера

Для крайних полос можно выполнять настройку с использованием фильтров высоких и низких частот, высокого и низкого шельфа. Частотные фильтры полностью удаляют из сигнала все частоты выше или ниже определенного значения. Так, высокочастотный фильтр пропускает высокие частоты и задерживает низкие. Те из них, которые не попадают в заданный диапазон, постепенно обрезаются по нисходящей кривой.

Фильтры шельфа предназначены для более мягкой обработки и используются, когда нужно сформировать форму сигнала в верхней или нижней точке без полного удаления частот. Они усиливают или ослабляют целевую частоту и равномерно воздействуют на все частоты выше или ниже заданной границы.

Для средних полос можно выполнять эквализацию с использованием низкого и высокого шельфов, полосно-заграждающего и колоколообразного фильтров.

- **Колоколообразный фильтр.** Усиливает или ослабляет диапазон частот в заданной точке кривой.
- **Полосно-заграждающий фильтр.** Позволяет обрабатывать очень узкий диапазон частот. Например, с его помощью можно удалить помехи на частоте 50 или 60 Гц.
- **Фильтр низкого шельфа.** Усиливает или ослабляет сигнал целевой частоты на нижней границе и более низкие частоты.
- **Фильтр высокого шельфа.** Усиливает или ослабляет сигнал целевой частоты на верхней границе и более высокие частоты.

Обработка клипа с помощью эквалайзера

- 1 Чтобы добавить эквалайзер, выберите клип на временной шкале.
- 2 Щелкните кнопкой мыши на панели «Инспектор» и включите режим «Эквалайзер клипа».

Порядок добавления эквалайзера к дорожке

- 1 Чтобы открыть эквалайзер для определенной дорожки, дважды щелкните кнопкой мыши в секции «ЭКВ» этой дорожки.
- 2 В раскрывающемся меню выберите тип фильтра.



В секции «ЭКВ» на панели «Микшер» отображается кривая в соответствии с выбранным фильтром



Каждую дорожку можно обработать с помощью шестиполосного параметрического эквалайзера

Когда для клипа или дорожки открыт эквалайзер, можно выполнить обработку на каждой полосе. Набор доступных настроек зависит от выбранного типа фильтра.

Настройка параметров фильтра полосы

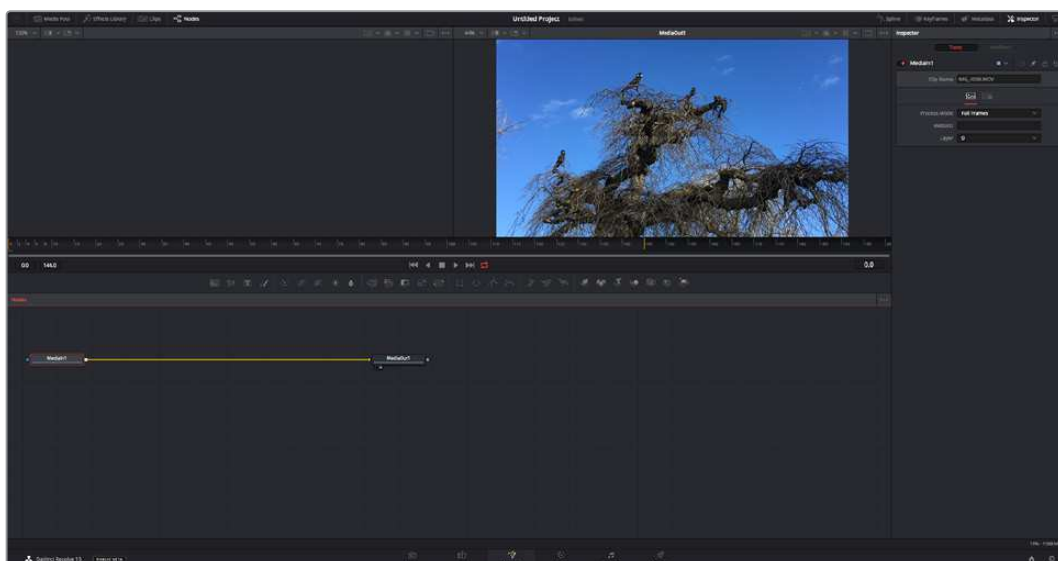
- 1 В раскрывающемся меню выберите тип фильтра.
- 2 Установите значение центральной частоты в поле «Частота».
- 3 Для усиления или ослабления частот в данном диапазоне настройте значение «Усиление».
- 4 Выберите значение «Q-фактор» для указания ширины рабочей полосы.

Для возврата к настройкам по умолчанию нажмите на значок сброса в окне «ЭКВ».

Набор инструментов Fairlight позволяет улучшить качества звука на каждой аудиодорожке. С их помощью можно добавлять треки и систематизировать их по шинам, а также создавать такие эффекты, как задержка или реверберация.

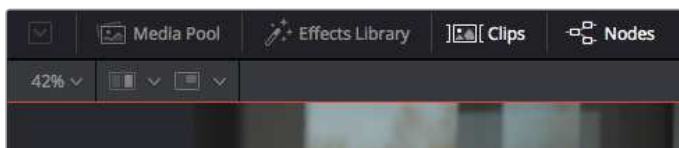
Добавление визуальных эффектов и композитинг на стр. Fusion

После завершения монтажа можно перейти на страницу Fusion, чтобы непосредственно в DaVinci Resolve добавить анимационную графику, а также 2D- и 3D-эффекты. В отличие от программ для композитинга на основе слоев, работа в Fusion ведется с узлами. Такая структура дает достаточно свободы при создании сложных эффектов и позволяет использовать данные об изображении самыми разными способами. В окне узлов показаны используемые на каждом этапе инструменты. Если вы уже имели дело с узлами на странице «Цвет», этот процесс будет вам знаком.

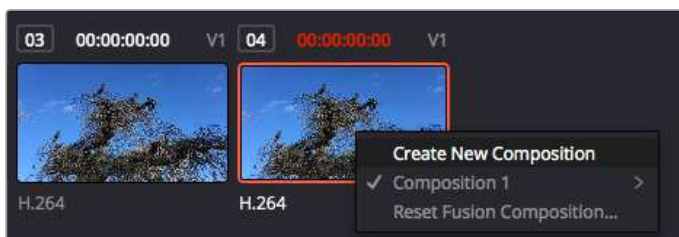


Страница Fusion

В верхней части находятся два окна просмотра с кнопками управления воспроизведением, справа — панель Inspector для настройки параметров, а внизу — окно Nodes, в котором выполняется композитинг. Окна просмотра и кнопки управления отображаются постоянно, а окна Nodes, панели Spline, Keyframes, Inspector и библиотеку эффектов можно скрыть или показать, нажав соответствующие значки в верхней части дисплея.



- **Медиатека.** Выполняет те же функции, что и на странице «Монтаж». Для использования дополнительных медиафайлов их достаточно перетащить из ящиков прямо в композицию.
- **Библиотека эффектов.** Здесь находятся инструменты и шаблоны Fusion, сгруппированные по категориям, в том числе для трекинга и добавления частиц, использования фильтров и генераторов. Чтобы добавить инструмент в композицию, его можно либо щелкнуть мышью, либо перетащить в область узлов. Медиатека и библиотека эффектов занимают один и тот же участок экрана для того, чтобы при переключении между ними размер окон просмотра не менялся.
- **Клипы.** Нажатием кнопки «Клипы» можно отобразить или скрыть пиктограммы, соответствующие клипам на временной шкале. Пиктограммы находятся под редактором узлов и обеспечивают мгновенный доступ к другому материалу.



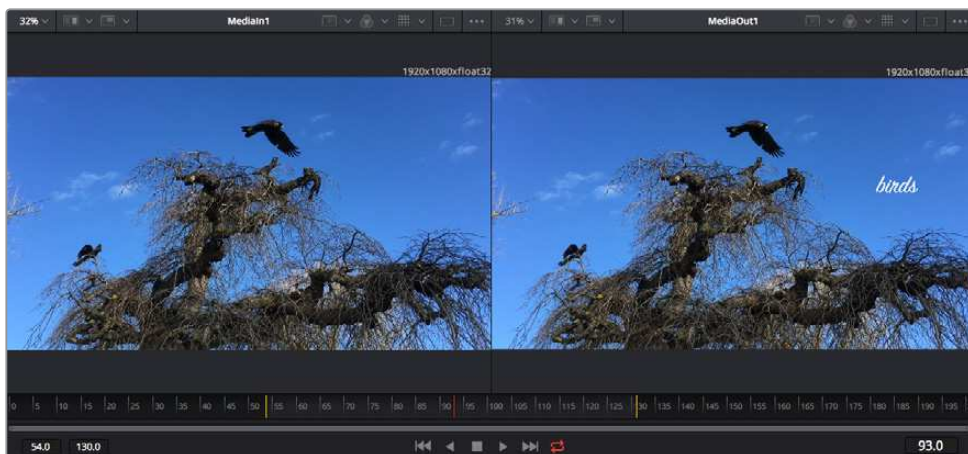
Чтобы создать новую версию композиции, щелкните пиктограмму правой кнопкой мыши и выберите команду «Создать новую композицию»

- **Окна просмотра.** В них можно воспроизводить разные варианты композиции, например общее трехмерное изображение через узел Merge 3D, выход с камеры или конечный результат рендеринга. Они также позволяют проверять, как внесенные изменения влияют на конкретный элемент.

Чтобы просмотреть узел в левом окне, выберите узел и нажмите клавишу 1, в правом окне — 2. Под узлом появится белая точка, которая показывает, в каком окне выводится данный узел. Если есть внешний монитор для передачи изображения, он будет обозначен третьей точкой.

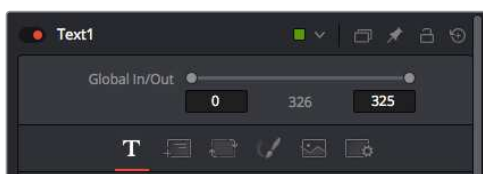
СОВЕТ. Для привязки узла к определенному окну просмотра можно также использовать перетаскивание.

Находящиеся под окнами просмотра кнопки управления позволяют переходить к началу или концу клипа, проигрывать его вперед или назад, а также останавливать воспроизведение. На линейке времени показана продолжительность полного клипа, а желтые метки обозначают точки входа и выхода.



Желтые метки на линейке времени показывают точки входа и выхода клипа на временной шкале. При использовании эффектов Fusion или составной композиции линейка времени отражает длительность клипа на временной шкале, то есть без маркеров.

- **Nodes (Узлы).** Это окно является главной панелью страницы Fusion, на которой путем добавления инструмента на выходе одного узла создается исходный материал для нового узла. Если открыты панели Spline и Keyframes, размер этой области меняется. Над ней расположена панель наиболее часто используемых инструментов для быстрого доступа к ним.
- **Spline (Сплайн).** Если открыть эту панель, она будет отображаться справа от окна Nodes. С помощью кривых Безье в нем можно выполнять точную корректировку каждого узла, например сглаживание анимации между двумя ключевыми кадрами.
- **Keyframes (Ключевые кадры).** Добавлять, удалять или изменять ключевые кадры в каждом клипе можно с помощью соответствующего редактора. Он также расположен справа от окна просмотра узлов.
- **Метаданные.** На панели метаданных отображается подробная информация о выбранном клипе, включая сведения о кодеке, частоте кадров и тайм-коде.
- **Inspector (Инспектор).** Находящаяся в правом верхнем углу панель Inspector содержит настройки и модификаторы одного или нескольких выбранных узлов. Появляются также дополнительные вкладки с другими параметрами узлов, сгруппированными по категориям.

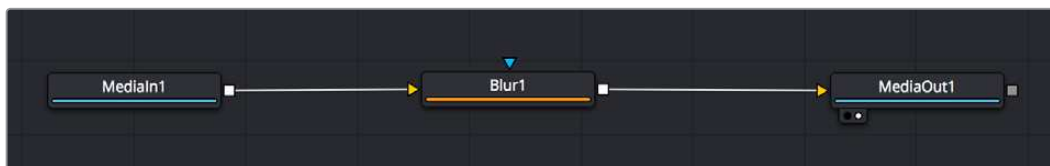


Здесь также есть дополнительные вкладки для изменения текста, конфигурации, трансформирования, теней, изображения и настроек.

Подготовка к работе с Fusion

Чтобы открыть страницу Fusion, установите курсор временной шкалы на любой клип и щелкните вкладку Fusion.

Этот клип будет соответствовать узлу под названием MediaIn. Каждая композиция состоит из узлов MediaIn и MediaOut. Узел MediaIn представляет собой самый верхний клип, на котором находится курсор временной шкалы, а дорожки, расположенные ниже, игнорируются. Любые изменения, внесенные в клип на странице «Монтаж» (такие как преобразование и обрезка кадра), также учитываются.



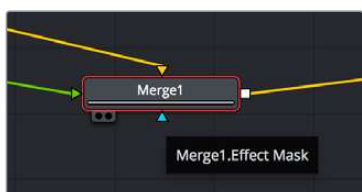
Узел выхода, который соответствует изображению, поступающему обратно на временную шкалу страницы «Монтаж», называется MediaOut.

COBET. Изменения от применения плагинов ResolveFX или OFX на стр. «Монтаж» не отображаются на стр. Fusion. Это вызвано тем, что эффекты Fusion накладываются до выполнения цветокоррекции и обработки с помощью OFX или ResolveFX. Чтобы применить OFX до добавления эффектов Fusion, щелкните правой кнопкой мыши клип на странице «Монтаж» и выберите «Новый клип на стр. Fusion...», затем перейдите на страницу Fusion.

Что такое узлы

Каждый узел — это визуальный значок, обозначающий один инструмент или эффект. Узлы соединяют друг с другом для создания общего композитного изображения. Чтобы лучше ориентироваться в этом процессе, необходимо понять роль входов и выходов в таких элементах.

У некоторых инструментов есть несколько входов и выходов, соединяемых с другими узлами. Узел Merge, например, может использоваться в качестве исходного материала передний план, фон или маску для кеинга.



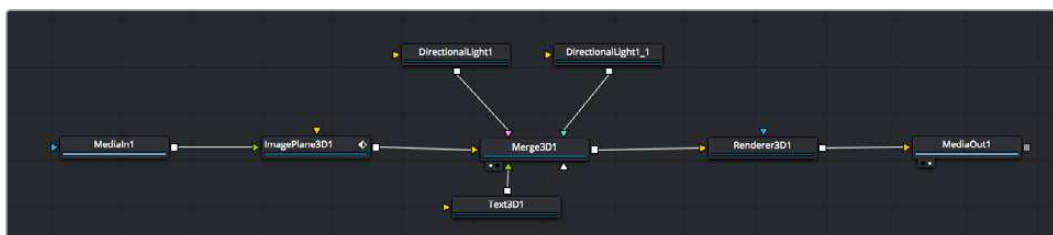
- ▶ передний план (вход)
- ▶ фон (вход)
- ▶ маска эффекта (вход)
- выход

Наличие нескольких выходов позволяет соединять один узел с разными узлами композиции, поэтому нет необходимости делать копии клипов, как в программах с использованием слоев. Стрелки на соединяющих узлы линиях служат хорошим визуальным индикатором, который показывает направление потока обработки.

Добавление узлов в окне Nodes

Чтобы добавить эффект, достаточно поместить его на линию между узлами MediaIn и MediaOut.

Есть несколько способов сделать это. Можно вставить новый узел между двумя существующими, удерживая клавишу SHIFT, или же щелкнуть узел, для которого нужно добавить эффект, а затем выбрать инструмент. Новый узел будет автоматически соединен с заданным инструментом. Узел также легко добавить в любое место окна Nodes с последующим соединением выхода одного из них и входа другого.



Наиболее часто используют инструмент объединения Merge 2D или Merge 3D. Он выполняет роль центрального элемента, с помощью которого формируется единое изображение на выходе.

У узла объединения есть органы управления входами, включая настройки размера, положения и слияния. Изменять их можно на панели Inspector при выборе данного узла.

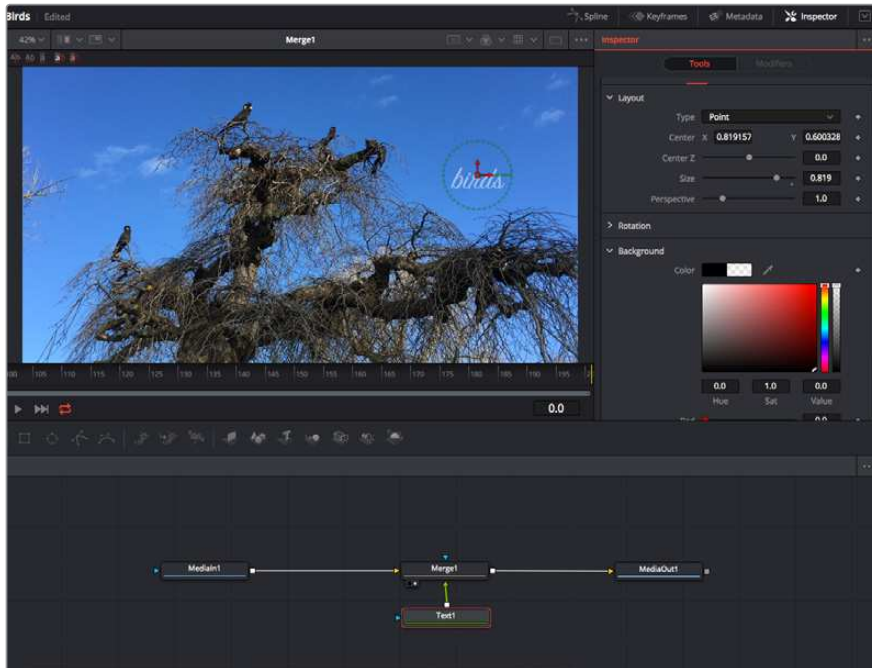
Над окном Nodes находится панель наиболее часто используемых инструментов. Чтобы добавить узел, можно либо выбрать соответствующий инструмент, либо перетащить его в окно. Чтобы увидеть полный набор инструментов, щелкните «Библиотека эффектов» в левом верхнем углу и используйте прокрутку в меню Tools. Все инструменты сгруппированы по категориям. Кроме того, в разделе Templates есть разные шаблоны, например свечение, затенение и фоны.

СОВЕТ. Если названия инструментов вам уже хорошо знакомы, удерживая клавишу SHIFT, можно нажать ПРОБЕЛ, чтобы открыть диалоговое окно Select Tool. По мере ввода названия будут предлагаться соответствующие подсказки. Таким способом можно быстро выбрать нужный инструмент.

Корректировка узлов с помощью панели Inspector

Изменить настройки узла можно на панели Inspector. Для этого выберите узел, который нужно изменить, и на панели появятся его параметры и элементы управления.

На странице Fusion не обязательно отображать редактируемый узел в окне просмотра. Можно вносить изменения в один узел и одновременно просматривать другой. Например, при корректировке размера и положения узла Text+ будет показан узел объединения, что позволяет видеть текст на соответствующем фоне.



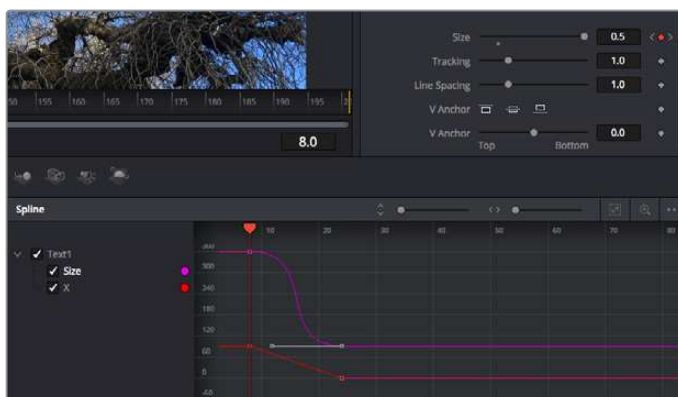
У выбранного узла появляется красный контур. На рисунке показаны элементы корректировки текста на вкладке Layout панели Inspector.

В зависимости от выполняемого задания на каждом узле можно настраивать разные параметры — от изменения размера и положения до корректировки числа частиц в узле Emitter. Расстановка ключевых кадров и установка настроек времени позволяют анимировать эффект.

Работа с ключевыми кадрами

Чтобы добавить ключевой кадр, на панели Inspector щелкните настройку правой кнопкой мыши и в контекстном меню выберите команду Animate. Значок ключевого кадра справа от настройки станет красным. Это означает, что ключевые кадры активированы и вносимые изменения будут касаться только текущего кадра. Для анимирования того или иного параметра необходимо по меньшей мере два ключевых кадра. Стрелки с обеих сторон значка ключевого кадра позволяют перемещать курсор в точное положение на временной шкале.

На панели Spline есть дополнительные настройки для анимирования ключевых кадров. Можно, например, сгладить анимацию между первым и последним ключевым кадром с помощью кривой Безье. Для этого нужно нажать SHIFT+S или щелкнуть ключевой кадр правой кнопкой мыши и выбрать Smooth.



Анимирование ключевых кадров для параметра Size сглажено с помощью кривой Безье. Ее легко укоротить или удлинить посредством имеющихся на ней маркеров, а ключевой кадр можно передвинуть, используя квадратный значок.

Трекер движения и добавление текста

На приведенном ниже примере объясняется трекинг объекта в клипе и добавление текста с использованием сохраненных данных отслеживания.

Инструмент Tracker отслеживает пиксели на осях X и Y и генерирует данные, которые можно использовать для добавления других элементов. Эта функция позволяет совмещать положение текста с движущимся объектом, например с едущим автомобилем или летящей в кадре птицей.

- 1 В библиотеке эффектов выберите Tracking > Tracker и перетащите инструмент на линию между узлами MediaIn и MediaOut. Теперь щелкните мышью на узле трекера, чтобы на панели Inspector появились его настройки.
- 2 Нажмите клавишу 1, чтобы вывести изображение узла Tracker в левое окно просмотра. В нем появится клип вместе трекером в выбранном по умолчанию положении. Наведите указатель мыши на трекер, чтобы появился маркер. В левом верхнем углу трекера щелкните маркер и перетащите трекер в нужное место на клипе. Лучше всего он работает на участках с высоким контрастом (например, на эмблеме, расположенной на капоте автомобиля). Трекер увеличит область изображения, чтобы обеспечить более точную установку.
- 3 На панели Inspector щелкните кнопку прямого трекинга. По завершении трекинга появится соответствующее сообщение. Нажмите ОК.

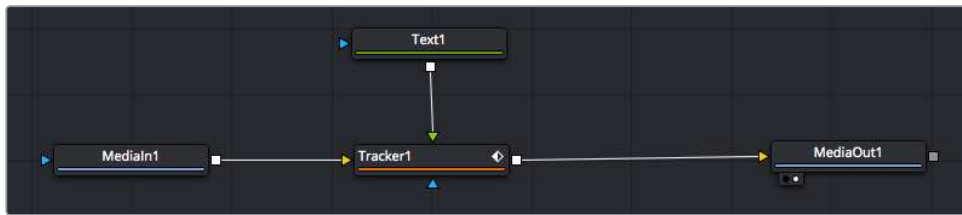


Кнопки управления на панели Inspector выполняют обратный трекинг от последнего или текущего кадра, остановку, а также прямой трекинг от текущего кадра или первого кадра.

СОВЕТ. Функция прямого или обратного трекинга от текущего кадра очень удобна в случаях, когда во время рендеринга отслеживаемый объект (например, автомобиль или птица) выходит из кадра. Это позволяет отслеживать только нужный эпизод.

Сохраненные данные трекинга можно использовать для траектории перемещения текста.

- 4 Щелкните значок узла Text+ на панели инструментов и перетащите его в окно Nodes, поместив рядом с узлом Tracker. Соедините выход узла Text с зеленым входом переднего плана в узле Tracker.



- 5 Выберите узел Tracker и нажмите клавишу 1, чтобы увидеть полученный результат в левом окне просмотра. На панели Inspector узла Tracker откройте вкладку Operation. Чтобы увидеть название вкладки, наведите на нее указатель мыши. Щелкните раскрывающееся меню Operation и выберите Match Move.
- 6 Щелкните узел Text, чтобы на панели Inspector появились его настройки. Введите нужный текст в текстовое поле и измените шрифт, цвет и размер по желанию.

Данные положения будут перенесены с трекера на текст. Если нужно изменить параметры смещения текста, снова выберите вкладку Trackers на панели Inspector и внесите поправки с помощью прокрутки X Offset и Y Offset.



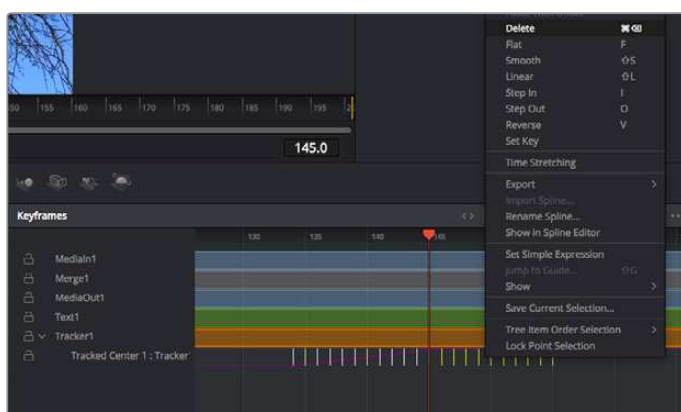
Ручки прокрутки в нижней части трекера позволяют настраивать смещение текста

Теперь можно воспроизвести всю композицию и увидеть текст вместе с объектом, для которого было выполнено отслеживание.



Зеленый квадрат показывает текущее положение трекера на зеленой траектории, а красная пунктирная линия обозначает положение смещения, использованное для анимации текста.

В некоторых случаях необходимо удалить точки отслеживания (например, когда объект трекинга исчезает с экрана). Это очень легко сделать в редакторе ключевых кадров.



- 7 Выберите «Ключевые кадры» над панелью Inspector, чтобы открыть соответствующий инструмент. Все узлы с использованием ключевых кадров имеют обозначение в виде небольшой стрелки, а в списке ниже отображается только тот параметр, для которого добавлены ключевые кадры. Нажмите на значок увеличительного стекла и создайте рамку вокруг фрагмента для редактирования, чтобы облегчить работу.
- 8 Передвиньте курсор в расположение последнего ключевого кадра. После этого выберите ключевые кадры для удаления путем создания рамки вокруг них с помощью компьютерной мыши. Они будут выделены желтым цветом. Щелкнув правой кнопкой мыши, используйте команду Delete из меню.

COBET. Если эффекты требуют использования значительных компьютерных ресурсов, щелкните правой кнопкой мыши в области управления воспроизведением. В этом случае доступны просмотр прокси-материала и другие опции, которые позволяют оптимизировать вывод во время композитинга. Подробнее о воспроизведении см. руководство по DaVinci Resolve.

Анимирование текста с привязкой к движению в кадре закончено!

Когда в кадре есть двухмерная поверхность, которую нужно сделать более объемной или заменить, можно использовать плоскостной трекинг. Отслеживание 2D-областей позволяет менять текст в указателях или дорожных знаках, а также добавлять изображение на монитор компьютера или экран телевизора.

Подробнее о плоскостном трекинге и других инструментах страницы Fusion см. руководство по DaVinci Resolve.

COBET. При композитинге на странице Fusion необходимо учитывать измерение создаваемого эффекта (2D или 3D), потому что от этого зависит, какой инструмент Merge будет использоваться. Часто составное изображение имеет комбинацию двух- и трехмерных эффектов. В таких случаях следует помнить, что 3D-объекты требуют преобразования в 2D, если они будут объединены с 2D-элементами.

Страница Fusion имеет целый ряд инструментов для создания визуальных эффектов, а их сочетание со средствами монтажа, грейдинга и обработки звука делает приложение DaVinci Resolve исключительно мощной системой для решения творческих задач.

Создание мастер-копий

Теперь, когда закончены монтаж и грейдинг, добавлены визуальные эффекты и смикширован звук, видео можно выгрузить для всеобщего просмотра. Чтобы сохранить все содержимое временной шкалы в виде отдельного файла определенного формата, нажмите кнопку «Быстрый экспорт», выберите команду меню или перейдите на стр. «Экспорт», где есть дополнительные опции.



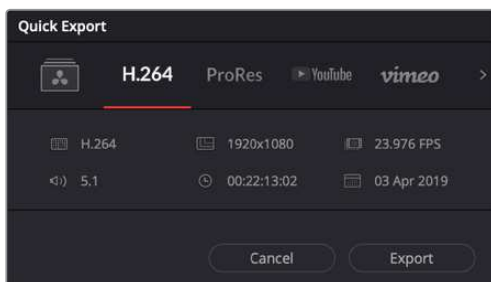
Для экспорта перейдите на страницу «Экспорт». Выберите видеоформат и кодек.

Быстрый экспорт

Чтобы экспортировать готовый материал с любой страницы приложения, выберите меню «Файл» > «Быстрый экспорт» и укажите желаемую предустановку. Кроме того, с помощью этой функции видео можно выгрузить на такие видеохостинговые сайты, как YouTube, Vimeo и Frame.io.

Порядок быстрого экспорта

- 1 Чтобы отметить экспортируемый отрезок видео на стр. «Монтаж», «Fusion» или «Цвет», установите точки входа и выхода. Если их не добавлять, будет экспортирован весь эпизод на временной шкале.
Выберите меню «Файл» > «Быстрый экспорт».
- 2 В верхнем ряду диалогового окна «Быстрый экспорт» укажите формат и нажмите кнопку «Экспорт».
- 3 Выберите папку для экспорта, введите имя файла и щелкните «Сохранить». Появится индикатор выполнения с указанием продолжительности экспорта.



Диалоговое окно «Быстрый экспорт»

Страница «Экспорт»

Она позволяет выбрать клипы для экспорта, их формат, кодек и разрешение. Создать конечную копию можно в форматах QuickTime, AVI, MXF и DPX с помощью 8-битных или 10-битных кодеков, таких как RGB/YUV, ProRes, DNxHD и H.264 и другие.

Порядок экспорта отдельного клипа

- 1 Откройте вкладку «Экспорт».
- 2 Перейдите к окну «Настройки рендеринга» в левом верхнем углу страницы. Можно воспользоваться существующими опциями для экспорта с целью размещения на YouTube и Vimeo либо создать собственную конфигурацию. Например, после выбора YouTube щелкните на стрелке возле опции для экспорта и выберите формат 1080p.
Кадровая частота будет привязана к настройкам проекта.
- 3 Под опциями отображается название файла с временной шкалы и поле «Место». Нажмите кнопку «Обзор», выберите нужную папку для сохранения экспортируемых файлов и перейдите «Рендеринг» > «Един. клипа».
- 4 Непосредственно над временной шкалой есть раскрывающееся меню «Рендеринг» с двумя опциями. Оно служит для выбора всей шкалы либо определения ее диапазона. Выберите «В пределах диапазона», затем с помощью клавиш “I” и “O” задайте точки входа и выхода на временной шкале.
- 5 Внизу окна «Настройки рендеринга» нажмите кнопку «Добавить в очередь рендеринга».

Настройки рендеринга будут добавлены в панель «Очередь рендеринга» с правой стороны страницы. Теперь нажмите кнопку «Начать рендеринг» и выполнение задачи будет отображаться на панели «Очередь рендеринга».

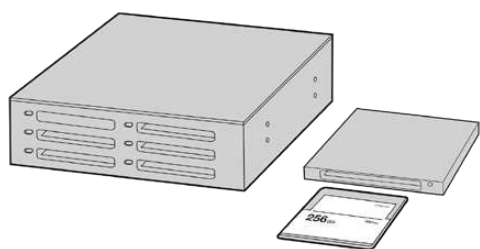
После завершения рендеринга откройте папку, дважды щелкните кнопкой мыши на созданном клипе и просмотрите окончательную версию смонтированного материала.

Теперь, имея базовое понимание монтажа и цветокоррекции, микширования звука и добавления визуальных эффектов, вы можете дальше поэкспериментировать с разными функциями приложения. Подробнее о работе с разными инструментами см. руководство по DaVinci Resolve.

Работа с программным обеспечением других производителей

Чтобы выполнить монтаж видео в специальном приложении класса DaVinci Resolve, можно скопировать клипы с камеры на внутренний или внешний диск (либо RAID-массив), а затем импортировать их в программу. Их также можно перенести с накопителя при подключении через док-станцию или адаптер для флеш-накопителей USB-C, карт CFast и SD.

Работа с файлами, записанными на карты CFast 2.0 и SD



Для редактирования файлов непосредственно на карте CFast или SD извлеките ее из камеры и подключите к компьютеру, используя картридер CFast 2.0 или устройство CFast Drive

Порядок импорта клипов с карт CFast 2.0 и SD

- 1 Извлеките карту из слота на Blackmagic Pocket Cinema Camera.
Подключите карту CFast или SD к компьютеру на платформе Mac или Windows с помощью картридера CFast 2.0 или устройства CFast Drive.
- 2 Дважды щелкните кнопкой мыши по карте CFast или SD, чтобы открыть список файлов QuickTime movie или папок, содержащих файлы Blackmagic RAW. В зависимости от выбранного способа записи список может содержать файлы разных форматов, которые будут упорядочены по именам.
- 3 Перетащите файлы с карты CFast или SD на рабочий стол или другой жесткий диск. Работать с файлами на носителе можно также непосредственно в приложениях для монтажа видео.
- 4 Перед отключением карты CFast или SD от компьютера рекомендуется выполнить ее безопасное извлечение в системе macOS или Windows. Если этого не сделать, можно повредить данные на накопителе.

Работа с файлами, записанными на флеш-накопитель USB-C

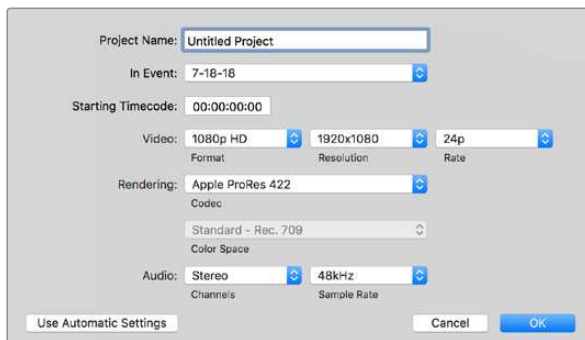
Порядок импорта клипов с USB-C

- 1 Отсоедините флеш-накопитель USB-C от камеры.
- 2 Подключите носитель к компьютеру на платформе Mac или Windows через порт USB-C. Рекомендуется использовать интерфейс USB 3.0, потому что скорости USB 2.0 недостаточно для обработки видео в режиме реального времени.
- 3 Дважды щелкните кнопкой мыши по флеш-накопителю, чтобы открыть список файлов QuickTime movie или папок, содержащих файлы Blackmagic RAW. В зависимости от выбранного способа записи список может содержать файлы разных форматов, которые будут упорядочены по именам.

- 4 Перетащите файлы с флеш-накопителя на рабочий стол или другой жесткий диск. Обработку видео можно также выполнять непосредственно на носителе с помощью приложений для нелинейного монтажа.
- 5 Перед отключением флеш-накопителя от компьютера рекомендуется выполнить его безопасное извлечение.

Работа с Final Cut Pro X

Чтобы выполнить монтаж клипа в Final Cut Pro X, создайте новый проект с необходимыми настройками формата и кадровой частоты. В этом примере используется формат ProRes 422 HQ 1080p/24.



Настройки проекта в Final Cut Pro X

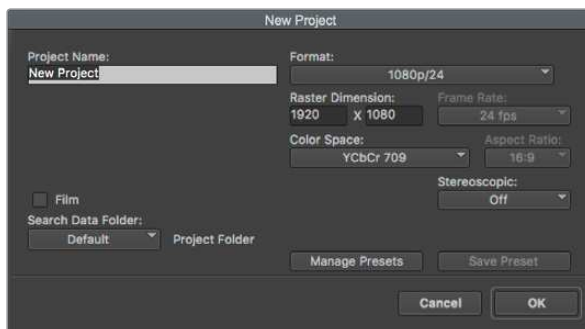
- 1 Запустите Final Cut Pro X, перейдите на панель Menu и выберите File/New Project. Откроется окно с настройками проекта.
- 2 Укажите имя проекта и включите настройку Custom.
- 3 Установите параметры видео: 1080p HD, 1920x1080 и 24p.
- 4 Для Audio and Render Properties выберите Stereo, 48kHz и Apple ProRes 422 HQ.
- 5 Нажмите OK.

Чтобы импортировать клипы в проект, перейдите на панель Menu и выберите File/Import/Media. Укажите клипы на карте CFast.

Теперь клипы можно поместить на временную шкалу перетаскиванием.

Работа с Avid Media Composer 2018

Чтобы выполнить монтаж клипа в Avid Media Composer 2018, создайте новый проект с необходимыми настройками формата и кадровой частоты. В примере ниже используется частота 1080p/24.



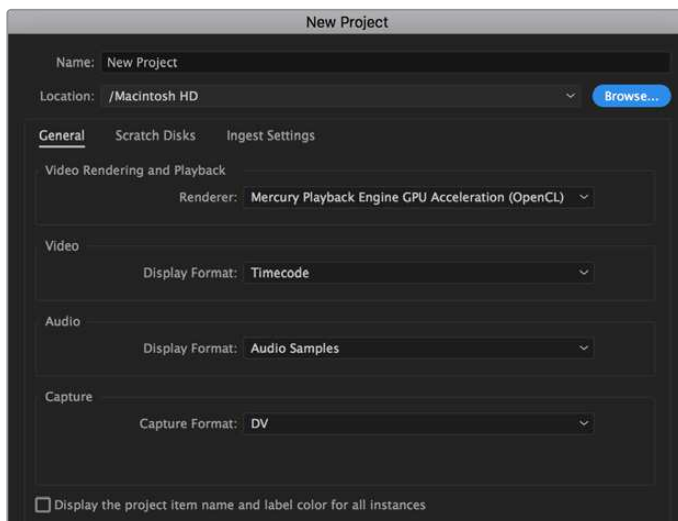
Создание нового проекта и выбор настроек в Avid Media Composer 2018

- 1 Запустите Avid Media Composer 2018. Откроется окно Select Project.
- 2 Нажмите кнопку New Project и в появившемся окне введите название проекта.
- 3 Перейдите в раскрывающееся меню Format и выберите HD 1080 > 1080p/24, а затем нажмите OK, чтобы создать проект.
- 4 Чтобы открыть проект, щелкните кнопкой мыши дважды по его имени в диалоговом окне Select Project.
- 5 Перейдите к файлам, которые необходимо импортировать, через File > Input > Source.
- 6 В раскрывающемся меню выберите Target Bin и нажмите Import.

Когда клипы отображаются в ящике, их можно поместить на временную шкалу перетаскиванием.

Работа с Adobe Premiere Pro CC

Чтобы выполнить монтаж клипа Apple ProRes 422 HQ в Adobe Premiere Pro CC, создайте новый проект с необходимыми настройками формата и частоты кадров. В примере ниже используется формат ProRes 422 HQ 1080p/25.



Создание нового проекта и выбор настроек в Adobe Premiere Pro CC

- 1 Запустите Adobe Premiere Pro CC. В окне Welcome выберите New Project. Откроется окно с настройками проекта.
- 2 Укажите имя проекта. Нажмите Browse и выберите папку для хранения проекта. После указания папки нажмите OK в окне New Project.
- 3 Перейдите на панель Adobe Premiere Pro CC Menu, выберите File/Import и укажите клипы, которые необходимо отредактировать. После этого клипы будут отображаться в окне Project.
- 4 Поместите первый клип на значок New Item в правом нижнем углу окна Project. Будет создана новая временная шкала в соответствии с настройками клипа.

Теперь клипы можно поместить на шкалу перетаскиванием.

Blackmagic Camera Setup Utility

Обновление программного обеспечения камеры на платформе Mac

После загрузки утилиты Blackmagic Camera Setup и распаковки файла выберите соответствующий диск, чтобы открыть мастер установки.

Запустите мастер установки и следуйте инструкциям на экране. После завершения установки перейдите в папку с приложениями и откройте папку Blackmagic Cameras, которая содержит данное руководство, утилиту Blackmagic Camera Setup, файлы Readme и другую информацию. В ней также находится деинсталлятор, используемый при обновлении Blackmagic Camera Setup до последней версии.



Обновление программного обеспечения камеры на платформе Windows

После загрузки утилиты Blackmagic Camera Setup и распаковки файла будет отображаться папка, содержащая данное руководство по эксплуатации в формате PDF и мастер установки. Щелкните кнопкой мыши дважды по значку мастера и следуйте инструкциям на экране.

На платформе Windows 10 выберите «Пуск» > «Все приложения». Перейдите к папке Blackmagic Design. Запустите утилиту Blackmagic Camera Setup.

На платформе Windows 8.1 перейдите к папке Blackmagic Design с экрана «Пуск», используя значок со стрелкой вниз. Запустите утилиту Blackmagic Camera Setup.

Обновление программного обеспечения камеры

После установки на компьютер последней версии утилиты Blackmagic Camera Utility подключитесь к камере с помощью кабеля USB-C.

Порт USB-C находится с левой стороны. Для доступа к нему поднимите резиновую крышку.

Для обновления программного обеспечения запустите утилиту Blackmagic Camera Setup и следуйте инструкциям на экране.

Рекомендуемые накопители

Карты CFast 2.0

Рекомендуемые накопители для модели Pocket Cinema Camera 6K

Рекомендуемые для модели Blackmagic Pocket Cinema Camera 6K карты CFast 2.0 для записи в 6K (Blackmagic RAW 5:1) с частотой до 50 кадров/с

Производитель	Название	Емкость
Angelbird	AV PRO CF XT	512 ГБ
CinediskPro	510MB/s CFast 2.0	256 ГБ
Hagiwara Solutions	DC-SMAN64GA CFast 2.0	64 ГБ
Hagiwara Solutions	DC-SMANA1GA CFast 2.0	128 ГБ
KomputerBay	3400x CFast 2.0	64 ГБ
KomputerBay	3400x CFast 2.0	128 ГБ
Lexar	Professional 3400X CFast 2.0	128 ГБ
Lexar	Professional 3500X CFast 2.0	128 ГБ
ProGrade Digital	510MB/s CFast 2.0	128 ГБ
ProGrade Digital	550MB/s CFast 2.0	256 ГБ
ProGrade Digital	550MB/s CFast 2.0	512 ГБ
Transcend	CFX650 CFast 2.0 TS128GCFX650	128 ГБ
SanDisk	Extreme Pro CFast 2.0 SDCFSP-64G-x46D	64 ГБ
SanDisk	Extreme Pro CFast 2.0 SDCFSP-128G-x46D	128 ГБ
SanDisk	Extreme Pro CFast 2.0 SDCFSP-256G-x46D	256 ГБ
SanDisk	Extreme Pro CFast 2.0 SDCFSP-512G-x46D	512 ГБ
Silicon Power	CFX310 CFast 2.0	512 ГБ
Sony	CFast 2.0 G Series CAT-G64	64 ГБ
Sony	CFast 2.0 G Series CAT-G128	128 ГБ
Wise	CFA-2560 3400x CFast 2.0	256 ГБ
Wise	CFA-5120 3500x CFast 2.0	512 ГБ
Wise	CFA-10240 3500X CFast 2.0	1 ТБ

Рекомендуемые для модели Blackmagic Pocket Cinema Camera 6K карты CFast 2.0 для записи в 6K 2,4:1 (Blackmagic RAW 5:1) с частотой до 60 кадров/с

Производитель	Название	Емкость
Angelbird	AV PRO CF XT	512 ГБ
CinediskPro	510MB/s CFast 2.0	256 ГБ
Hagiwara Solutions	DC-SMAN64GA CFast 2.0	64 ГБ
Hagiwara Solutions	DC-SMANA1GA CFast 2.0	128 ГБ

Производитель	Название	Емкость
KomputerBay	3400x CFast 2.0	64 ГБ
KomputerBay	3400x CFast 2.0	128 ГБ
Lexar	Professional 3400X CFast 2.0	128 ГБ
Lexar	Professional 3500X CFast 2.0	128 ГБ
ProGrade Digital	510MB/s CFast 2.0	128 ГБ
ProGrade Digital	550MB/s CFast 2.0	256 ГБ
ProGrade Digital	550MB/s CFast 2.0	512 ГБ
Transcend	CFX650 CFast 2.0 TS128GCFX650	128 ГБ
SanDisk	Extreme Pro CFast 2.0 SDCFSP-64G-x46D	64 ГБ
SanDisk	Extreme Pro CFast 2.0 SDCFSP-128G-x46D	128 ГБ
SanDisk	Extreme Pro CFast 2.0 SDCFSP-256G-x46D	256 ГБ
SanDisk	Extreme Pro CFast 2.0 SDCFSP-512G-x46D	512 ГБ
Silicon Power	CFX310 CFast 2.0	256 ГБ
Silicon Power	CFX310 CFast 2.0	512 ГБ
Sony	CFast 2.0 G Series CAT-G64	64 ГБ
Sony	CFast 2.0 G Series CAT-G128	128 ГБ
Wise	CFA-1280 3400x CFast 2.0	128 ГБ
Wise	CFA-2560 3400x CFast 2.0	256 ГБ
Wise	CFA-5120 3500x CFast 2.0	512 ГБ
Wise	CFA-10240 3500X CFast 2.0	1 ТБ

Рекомендуемые для модели Blackmagic Pocket Cinema Camera 6K карты CFast 2.0 для записи в 2.8K 17:9 (Blackmagic RAW 3:1) с частотой до 120 кадров/с

Производитель	Название	Емкость
Angelbird	AV PRO CF XT	512 ГБ
CinediskPro	510MB/s CFast 2.0	256 ГБ
Hagiwara Solutions	DC-SMAN64GA CFast 2.0	64 ГБ
Hagiwara Solutions	DC-SMANA1GA CFast 2.0	128 ГБ
KomputerBay	3400x CFast 2.0	64 ГБ
KomputerBay	3400x CFast 2.0	128 ГБ
Lexar	Professional 3400X CFast 2.0	128 ГБ
Lexar	Professional 3500X CFast 2.0	128 ГБ
Lexar	Professional 3400X CFast 2.0	256 ГБ
ProGrade Digital	510MB/s CFast 2.0	128 ГБ
ProGrade Digital	550MB/s CFast 2.0	256 ГБ
ProGrade Digital	550MB/s CFast 2.0	512 ГБ
Transcend	CFX650 CFast 2.0 TS128GCFX650	128 ГБ

Производитель	Название	Емкость
SanDisk	Extreme Pro CFast 2.0 SDCFSP-64G-x46D	64 ГБ
SanDisk	Extreme Pro CFast 2.0 SDCFSP-128G-x46D	128 ГБ
SanDisk	Extreme Pro CFast 2.0 SDCFSP-256G-x46D	256 ГБ
SanDisk	Extreme Pro CFast 2.0 SDCFSP-512G-x46D	512 ГБ
Silicon Power	CFX310 CFast 2.0	256 ГБ
Silicon Power	CFX310 CFast 2.0	512 ГБ
Sony	CFast 2.0 G Series CAT-G64	64 ГБ
Sony	CFast 2.0 G Series CAT-G128	128 ГБ
Wise	CFA-1280 3400x CFast 2.0	128 ГБ
Wise	CFA-2560 3400x CFast 2.0	256 ГБ
Wise	CFA-5120 3500x CFast 2.0	512 ГБ
Wise	CFA-10240 3500X CFast 2.0	1 ТБ

Рекомендуемые для модели Blackmagic Pocket Cinema Camera 6K карты CFast 2.0 для записи в 4K DCI (ProRes HQ) с частотой до 60 кадров/с

Производитель	Название	Емкость
Angelbird	AV PRO CF XT	512 ГБ
CinediskPro	510MB/s CFast 2.0	256 ГБ
Hagiwara Solutions	DC-SMAN64GA CFast 2.0	64 ГБ
Hagiwara Solutions	DC-SMANA1GA CFast 2.0	128 ГБ
KomputerBay	3400x CFast 2.0	64 ГБ
KomputerBay	3400x CFast 2.0	128 ГБ
Lexar	Professional 3400X CFast 2.0	128 ГБ
Lexar	Professional 3500X CFast 2.0	128 ГБ
Lexar	Professional 3400X CFast 2.0	256 ГБ
ProGrade Digital	510MB/s CFast 2.0	128 ГБ
ProGrade Digital	550MB/s CFast 2.0	256 ГБ
ProGrade Digital	550MB/s CFast 2.0	512 ГБ
Transcend	CFX650 CFast 2.0 TS128GCFX650	128 ГБ
SanDisk	Extreme Pro CFast 2.0 SDCFSP-64G-x46D	64 ГБ
SanDisk	Extreme Pro CFast 2.0 SDCFSP-128G-x46D	128 ГБ
SanDisk	Extreme Pro CFast 2.0 SDCFSP-256G-x46D	256 ГБ
SanDisk	Extreme Pro CFast 2.0 SDCFSP-512G-x46D	512 ГБ
Silicon Power	CFX310 CFast 2.0	256 ГБ
Silicon Power	CFX310 CFast 2.0	512 ГБ
Sony	CFast 2.0 G Series CAT-G64	64 ГБ
Sony	CFast 2.0 G Series CAT-G128	128 ГБ

Производитель	Название	Емкость
Wise	CFA-1280 3400x CFast 2.0	128 ГБ
Wise	CFA-2560 3400x CFast 2.0	256 ГБ
Wise	CFA-5120 3500x CFast 2.0	512 ГБ
Wise	CFA-10240 3500X CFast 2.0	1 ТБ

Рекомендуемые для модели Blackmagic Pocket Cinema Camera 6K карты CFast 2.0 для записи в 1080 (ProRes 422 HQ) с частотой до 120 кадров/с

Производитель	Название	Емкость
Angelbird	AV PRO CF XT	512 ГБ
CinediskPro	510MB/s CFast 2.0	256 ГБ
Hagiwara Solutions	DC-SMAN64GA CFast 2.0	64 ГБ
Hagiwara Solutions	DC-SMANA1GA CFast 2.0	128 ГБ
KomputerBay	3400x CFast 2.0	64 ГБ
KomputerBay	3400x CFast 2.0	128 ГБ
Lexar	Professional 3400X CFast 2.0	128 ГБ
Lexar	Professional 3500X CFast 2.0	128 ГБ
Lexar	Professional 3400X CFast 2.0	256 ГБ
ProGrade Digital	510MB/s CFast 2.0	128 ГБ
ProGrade Digital	550MB/s CFast 2.0	256 ГБ
ProGrade Digital	550MB/s CFast 2.0	512 ГБ
Transcend	CFX650 CFast 2.0 TS128GCFX650	128 ГБ
SanDisk	Extreme Pro CFast 2.0 SDCFSP-64G-x46D	64 ГБ
SanDisk	Extreme Pro CFast 2.0 SDCFSP-128G-x46D	128 ГБ
SanDisk	Extreme Pro CFast 2.0 SDCFSP-256G-x46D	256 ГБ
SanDisk	Extreme Pro CFast 2.0 SDCFSP-512G-x46D	512 ГБ
Silicon Power	CFX310 CFast 2.0	256 ГБ
Silicon Power	CFX310 CFast 2.0	512 ГБ
Sony	CFast 2.0 G Series CAT-G64	64 ГБ
Sony	CFast 2.0 G Series CAT-G128	128 ГБ
Wise	CFA-1280 3400x CFast 2.0	128 ГБ
Wise	CFA-2560 3400x CFast 2.0	256 ГБ
Wise	CFA-5120 3500x CFast 2.0	512 ГБ
Wise	CFA-10240 3500X CFast 2.0	1 ТБ

Рекомендуемые накопители для модели Pocket Cinema Camera 4K

Рекомендуемые для модели Blackmagic Pocket Cinema Camera 4K карты CFast 2.0 для записи в 4K DCI (Blackmagic RAW 3:1) с частотой до 60 кадров/с

Производитель	Название	Емкость
Angelbird	AV PRO CF	512 ГБ
Angelbird	AV PRO CF	1 ТБ
CinediskPro	510MB/s CFast 2.0	256 ГБ
Hagiwara Solutions	DC-SMAN64GA CFast 2.0	64 ГБ
Hagiwara Solutions	DC-SMANA1GA CFast 2.0	128 ГБ
KomputerBay	3400x CFast 2.0	64 ГБ
KomputerBay	3400x CFast 2.0	128 ГБ
KomputerBay	3700x CFast 2.0	256 ГБ
Lexar	Professional 3400x CFast 2.0	128 ГБ
Lexar	Professional 3500x CFast 2.0	256 ГБ
ProGrade Digital	550MB/s CFast 2.0	128 ГБ
ProGrade Digital	550MB/s CFast 2.0	256 ГБ
ProGrade Digital	550MB/s CFast 2.0	512 ГБ
SanDisk	Extreme Pro CFast 2.0 SDCFSP-256G-x46D	512 ГБ
Wise	CFA-1280 3400x CFast 2.0	128 ГБ
Wise	CFA-2560 3400x CFast 2.0	256 ГБ
Wise	CFA-5120 3500x CFast 2.0	512 ГБ
Wise	CFA-10240 3500x CFast 2.0	1 ТБ

Рекомендуемые для модели Blackmagic Pocket Cinema Camera 4K карты CFast 2.0 для записи в 4K DCI (ProRes HQ) с частотой до 60 кадров/с

Производитель	Название	Емкость
Angelbird	AV PRO CF	128 ГБ
Angelbird	AV PRO CF	256 ГБ
Angelbird	AV PRO CF	512 ГБ
CinediskPro	510MB/s CFast 2.0	256 ГБ
Hagiwara Solutions	DC-SMAN64GA CFast 2.0	64 ГБ
Hagiwara Solutions	DC-SMANA1GA CFast 2.0	128 ГБ
KomputerBay	3400x CFast 2.0	128 ГБ
KomputerBay	3700x CFast 2.0	256 ГБ
ProGrade Digital	550MB/s CFast 2.0	256 ГБ
ProGrade Digital	550MB/s CFast 2.0	512 ГБ
SanDisk	Extreme Pro CFast 2.0 SDCFSP-64G-x46D	64 ГБ
SanDisk	Extreme Pro CFast 2.0 SDCFSP-128G-x46D	128 ГБ

Производитель	Название	Емкость
SanDisk	Extreme Pro CFast 2.0 SDCFSP-256G-x46D	256 ГБ
Sony	CFast 2.0 G Series CAT-G64	64 ГБ
Sony	CFast 2.0 G Series CAT-G128	128 ГБ
Wise	CFA-1280 3400x CFast 2.0	128 ГБ
Wise	CFA-2560 3400x CFast 2.0	256 ГБ
Wise	CFA-5120 3500x CFast 2.0	512 ГБ
Wise	CFA-10240 3500x CFast 2.0	1 ТБ

Рекомендуемые для модели Blackmagic Pocket Cinema Camera 4K карты CFast 2.0 для записи в 4K DCI (RAW без визуальных потерь) с частотой до 30 кадров/с

Производитель	Название	Емкость
Angelbird	AV PRO CF	128 ГБ
Angelbird	AV PRO CF	256 ГБ
Angelbird	AV PRO CF	512 ГБ
CinediskPro	510MB/s CFast 2.0	256 ГБ
KomputerBay	3400x CFast 2.0	128 ГБ
ProGrade Digital	550MB/s CFast 2.0	256 ГБ
ProGrade Digital	550MB/s CFast 2.0	512 ГБ
SanDisk	Extreme Pro CFast 2.0 SDCFSP-64G-x46D	64 ГБ
SanDisk	Extreme Pro CFast 2.0 SDCFSP-128G-x46D	128 ГБ
SanDisk	Extreme Pro CFast 2.0 SDCFSP-256G-x46D	256 ГБ
Sony	CFast 2.0 G Series CAT-G64	64 ГБ
Sony	CFast 2.0 G Series CAT-G128	128 ГБ
Wise	CFA-1280 3400x CFast 2.0	128 ГБ
Wise	CFA-2560 3400x CFast 2.0	256 ГБ
Wise	CFA-5120 3500x CFast 2.0	512 ГБ

Рекомендуемые для модели Blackmagic Pocket Cinema Camera 4K карты CFast 2.0 для записи в 4K DCI (3:1 RAW) с частотой до 60 кадров/с

Производитель	Название	Емкость
Angelbird	AV PRO CF	128 ГБ
Angelbird	AV PRO CF	256 ГБ
Angelbird	AV PRO CF	512 ГБ
CinediskPro	510MB/s CFast 2.0	256 ГБ
KomputerBay	3400x CFast 2.0	128 ГБ
ProGrade Digital	550MB/s CFast 2.0	256 ГБ

Производитель	Название	Емкость
ProGrade Digital	550MB/s CFast 2.0	512 ГБ
SanDisk	Extreme Pro CFast 2.0 SDCFSP-64G-x46D	64 ГБ
SanDisk	Extreme Pro CFast 2.0 SDCFSP-128G-x46D	128 ГБ
SanDisk	Extreme Pro CFast 2.0 SDCFSP-256G-x46D	256 ГБ
Sony	CFast 2.0 G Series CAT-G64	64 ГБ
Sony	CFast 2.0 G Series CAT-G128	128 ГБ
Wise	CFA-1280 3400x CFast 2.0	128 ГБ
Wise	CFA-2560 3400x CFast 2.0	256 ГБ
Wise	CFA-5120 3500x CFast 2.0	512 ГБ

Карты SD

Рекомендуемые накопители для модели Pocket Cinema Camera 6K

Рекомендуемые для модели Blackmagic Pocket Cinema Camera 6K карты SD для записи в 6K 16:9 (Blackmagic RAW 5:1) с частотой до 30 кадров/с

Производитель	Название	Емкость
Angelbird	AV PRO SD V90	64 ГБ
Sony	Tough SF-G32T	32 ГБ
Sony	Tough SF-G64T	64 ГБ
Sony	Tough SF-G128T	128 ГБ
Toshiba	Exceria Pro UHS-II 270MB/s SDXC	64 ГБ
Wise	SD2-128U3 SDXC UHS-II	128 ГБ

Рекомендуемые для модели Blackmagic Pocket Cinema Camera 6K карты SD для записи в 6K 16:9 (Blackmagic RAW 8:1) с частотой до 30 кадров/с

Производитель	Название	Емкость
Angelbird	AV PRO SD V90	64 ГБ
Sony	Tough SF-G32T	32 ГБ
Sony	Tough SF-G64T	64 ГБ
Sony	Tough SF-G128T	128 ГБ
Toshiba	Exceria Pro UHS-II 270MB/s SDXC	64 ГБ
Toshiba	Exceria Pro UHS-II 270MB/s SDXC	128 ГБ
Toshiba	Exceria Pro UHS-II N502 SDXC	128 ГБ
Wise	SD2-128U3 SDXC UHS-II	128 ГБ

Рекомендуемые для модели Blackmagic Pocket Cinema Camera 6K карты SD для записи в 6K 2,4:1 (Blackmagic RAW 12:1) с частотой до 60 кадров/с

Производитель	Название	Емкость
Angelbird	AV PRO SD V90	64 ГБ
Sony	Tough SF-G32T	32 ГБ
Sony	Tough SF-G64T	64 ГБ
Sony	Tough SF-G128T	128 ГБ
Toshiba	Exceria Pro UHS-II 270MB/s SDXC	64 ГБ
Toshiba	Exceria Pro UHS-II 270MB/s SDXC	128 ГБ
Toshiba	Exceria Pro UHS-II N502 SDXC	128 ГБ

Рекомендуемые для модели Blackmagic Pocket Cinema Camera 6K карты SD для записи в 4K DCI (ProRes HQ) с частотой до 60 кадров/с

Производитель	Название	Емкость
Angelbird	AV PRO SD V90	64 ГБ
Delkin Devices	Power SDXC USH-II	64 ГБ
Delkin Devices	Prime SDXC USH-II	128 ГБ
ProGrade Digital	V90 UHS-II 250MB/s SDXC	128 ГБ
ProGrade Digital	V90 UHS-II 250MB/s SDXC	256 ГБ
Sony	Tough SF-G32T	32 ГБ
Sony	Tough SF-G64T	64 ГБ
Sony	Tough SF-G128T	128 ГБ
Wise	SD2-64U3 SDXC UHS-II	64 ГБ
Wise	SD2-128U3 SDXC UHS-II	128 ГБ
Toshiba	Exceria Pro UHS-II N502 SDXC	128 ГБ

Рекомендуемые для модели Blackmagic Pocket Cinema Camera 6K карты SD для записи в 1080 (ProRes 422 HQ) с частотой до 120 кадров/с

Производитель	Название	Емкость
Angelbird	AV PRO SD V90	64 ГБ
Delkin Devices	Power SDXC USH-II	64 ГБ
Delkin Devices	Prime SDXC USH-II	128 ГБ
Lexar	Professional 2000x UHS-II 300MB/s SDXC	64 ГБ
Lexar	Professional 2000x UHS-II 300MB/s SDXC	128 ГБ
ProGrade Digital	V90 UHS-II 250MB/s SDXC	256 ГБ
Sony	Tough SF-G32T	32 ГБ
Sony	Tough SF-G64T	64 ГБ

Производитель	Название	Емкость
Sony	Tough SF-G128T	128 ГБ
Toshiba	Exceria Pro UHS-II 270MB/s SDXC	64 ГБ
Toshiba	Exceria Pro UHS-II 270MB/s SDXC	128 ГБ
Toshiba	Exceria Pro UHS-II N502 SDXC	128 ГБ
Toshiba	Exceria Pro UHS-II N502 SDXC	256 ГБ
Wise	SD2-64U3 SDXC UHS-II	64 ГБ
Wise	SD2-128U3 SDXC UHS-II	128 ГБ

Рекомендуемые накопители для модели Pocket Cinema Camera 4K

Рекомендуемые для модели Blackmagic Pocket Cinema Camera 4K карты SD для записи в 4K DCI (Blackmagic RAW 12:1) с частотой до 30 кадров/с

Производитель	Название	Емкость
Angelbird	AV PRO SD V90	64 ГБ
Delkin Devices	Power UHS-II SDXC	64 ГБ
Delkin Devices	Power UHS-II SDXC	128 ГБ
Lexar	Professional 2000x UHS-II 300MB/s SDXC	64 ГБ
ProGrade Digital	V90 UHS-II 250MB/s SDXC	256 ГБ
SanDisk	Extreme Pro UHS-I 95MB/s SDXC	512 ГБ
Sony	Tough SF-G64T	64 ГБ
Sony	Tough SF-G128T	128 ГБ
Sony	SF-G64 300MB/s UHS-II SDXC	64 ГБ
Toshiba	Exceria Pro UHS-II N502 SDHC	32 ГБ
Toshiba	Exceria Pro UHS-II 270MB/s SDXC	64 ГБ
Wise	SD2-64U3 SDXC UHS-II	64 ГБ
Wise	SD2-128U3 SDXC UHS-II	128 ГБ
Wise	SD2-128U3 SDXC UHS-II	128 ГБ

Рекомендуемые для модели Blackmagic Pocket Cinema Camera 4K карты SD для записи в 4K DCI (ProRes HQ) с частотой до 60 кадров/с

Производитель	Название	Емкость
Wise	SD2-64U3 SDXC UHS-II	64 ГБ
Wise	SD2-128U3 SDXC UHS-II	128 ГБ
Sony	Tough SF-G64T	64 ГБ
Sony	Tough SF-G128T	128 ГБ

Рекомендуемые для модели Blackmagic Pocket Cinema Camera 4K карты SD для записи в 4K DCI (4:1 RAW) с частотой до 60 кадров/с

Производитель	Название	Емкость
Sony	Tough SF-G64T	64 ГБ
Sony	Tough SF-G128T	128 ГБ
Toshiba	Exceria Pro UHS-II N502 SDXC	32 ГБ

Рекомендуемые для модели Blackmagic Pocket Cinema Camera 4K карты SD для записи в 4K DCI (RAW без визуальных потерь) с частотой до 24 кадра/с

Производитель	Название	Емкость
Wise	SD2-64U3 SDXC UHS-II	64 ГБ
Wise	SD2-128U3 SDXC UHS-II	128 ГБ
Toshiba	Exceria Pro UHS-II N502 SDXC	32 ГБ
Sony	Tough SF-G64T	64 ГБ
Sony	Tough SF-G128T	128 ГБ

Рекомендуемые для модели Blackmagic Pocket Cinema Camera 4K карты SD для записи в 1080p (RAW без визуальных потерь) с частотой до 60 кадров/с

Производитель	Название	Емкость
Wise	SD2-64U3 SDXC UHS-II	64 ГБ
Wise	SD2-128U3 SDXC UHS-II	128 ГБ
Sony	Tough SF-G64T	64 ГБ
Sony	Tough SF-G128T	128 ГБ
Toshiba	Exceria Pro UHS-II N502 SDXC	32 ГБ
Toshiba	Exceria Pro UHS-II N502 SDXC	64 ГБ
Toshiba	Exceria Pro UHS-II N502 SDXC	128 ГБ
Toshiba	Exceria Pro UHS-II N502 SDXC	256 ГБ
Sony	Tough SF-G128T	128 ГБ

SSD-накопители USB-C

Рекомендуемые накопители для модели Pocket Cinema Camera 6K

Рекомендуемые для модели Blackmagic Pocket Cinema Camera 6K накопители USB-C для записи в 6K (Blackmagic RAW 5:1) с частотой до 50 кадров/с

Производитель	Название	Емкость
Wise	PTS-1024 Portable SSD	1 ТБ

Рекомендуемые для модели Blackmagic Pocket Cinema Camera 6K накопители USB-C для записи в 6K 2,4:1 (Blackmagic RAW 5:1) с частотой до 60 кадров/с

Производитель	Название	Емкость
Samsung	Портативный SSD T5	250 ГБ
Samsung	Портативный SSD T5	2 ТБ
Wise	PTS-1024 Portable SSD	1 ТБ

Рекомендуемые для модели Blackmagic Pocket Cinema Camera 6K накопители USB-C для записи в 2.8K 17:9 (Blackmagic RAW 3:1) с частотой до 120 кадров/с

Производитель	Название	Емкость
Samsung	Портативный SSD T5	250 ГБ
Samsung	Портативный SSD T5	2 ТБ
Wise	PTS-512 Portable SSD	512 ГБ
Wise	PTS-1024 Portable SSD	1 ТБ

Рекомендуемые для модели Blackmagic Pocket Cinema Camera 6K накопители USB-C для записи в 4K DCI (ProRes HQ) с частотой до 60 кадров/с

Производитель	Название	Емкость
Samsung	Портативный SSD T5	250 ГБ
Samsung	Портативный SSD T5	1 ТБ
Samsung	Портативный SSD T5	2 ТБ
SanDisk	Портативный SSD-накопитель Extreme	1 ТБ
Wise	PTS-512 Portable SSD	512 ГБ
Wise	PTS-1024 Portable SSD	1 ТБ
Wise	PTS-1024 Portable SSD	1 ТБ

Рекомендуемые для модели Blackmagic Pocket Cinema Camera 6K накопители USB-C для записи в 1080 (ProRes 442 HQ) с частотой до 120 кадров/с

Производитель	Название	Емкость
Samsung	Портативный SSD T5	250 ГБ
Samsung	Портативный SSD T5	1 ТБ
Samsung	Портативный SSD T5	2 ТБ
SanDisk	Портативный SSD-накопитель Extreme	1 ТБ
Wise	PTS-512 Portable SSD	512 ГБ
Wise	PTS-1024 Portable SSD	1 ТБ
Wise	PTS-1024 Portable SSD	1 ТБ

Рекомендуемые накопители для модели Pocket Cinema Camera 4K

Рекомендуемые для модели Blackmagic Pocket Cinema Camera 4K накопители USB-C для записи в 4K DCI (Blackmagic RAW 3:1) с частотой до 60 кадров/с

Производитель	Название	Емкость
Angelbird	SSD2GO PKT	512 ГБ
Angelbird	SSD2GO PKT	2 ТБ
G-Technology	Переносной SSD-накопитель G-DRIVE	1 ТБ
Samsung	Портативный SSD T5	2 ТБ
Wise	PTS-512 Portable SSD	512 ГБ

Рекомендуемые для модели Blackmagic Pocket Cinema Camera 4K накопители USB-C для записи в 4K DCI (ProRes HQ) с частотой до 60 кадров/с

Производитель	Название	Емкость
Angelbird	SSD2GO PKT	512 ГБ
Angelbird	SSD2GO PKT	2 ТБ
Glyph	Atom	500 ГБ
Lacie	Portable SSD	500 ГБ
Samsung	Портативный SSD T5	500 ГБ
Samsung	Портативный SSD T5	1 ТБ
SanDisk	Портативный SSD-накопитель Extreme	1 ТБ
Seagate	Твердотельный накопитель Fast	250 ГБ
Wise	PTS-256 Portable SSD	256 ГБ
Wise	PTS-512 Portable SSD	512 ГБ
Wise	PTS-1024 Portable SSD	1 ТБ

Рекомендуемые для модели Blackmagic Pocket Cinema Camera 4K накопители USB-C для записи в 4K DCI (RAW без визуальных потерь) с частотой до 30 кадров/с

Производитель	Название	Емкость
Angelbird	SSD2GO PKT	512 ГБ
Angelbird	SSD2GO PKT	2 ТБ
Samsung	Портативный SSD T5	1 ТБ
Wise	PTS-256 Portable SSD	256 ГБ
Wise	PTS-512 Portable SSD	512 ГБ
Wise	PTS-1024 Portable SSD	1 ТБ

Рекомендуемые для модели Blackmagic Pocket Cinema Camera 4K накопители USB-C для записи в 4K DCI (3:1 RAW) с частотой до 60 кадров/с

Производитель	Название	Емкость
Angelbird	SSD2GO PKT	512 ГБ
Angelbird	SSD2GO PKT	2 ТБ
Samsung	Портативный SSD T5	500 ГБ
Samsung	Портативный SSD T5	1 ТБ
Wise	PTS-256 Portable SSD	256 ГБ
Wise	PTS-512 Portable SSD	512 ГБ
Wise	PTS-1024 Portable SSD	1 ТБ

Помощь

Самый быстрый способ получить помощь — обратиться к страницам поддержки на сайте Blackmagic Design и проверить наличие последних справочных материалов по камере.

Страницы поддержки на сайте Blackmagic Design

Последние версии руководства по эксплуатации, программного обеспечения и дополнительную информацию можно найти в разделе поддержки Blackmagic Design на странице www.blackmagicdesign.com/ru/support.

Обращение в Службу поддержки Blackmagic Design

Если с помощью доступных справочных материалов решить проблему не удалось, воспользуйтесь формой «Отправить нам сообщение» на странице поддержки. Можно также позвонить в ближайшее представительство Blackmagic Design, телефон которого вы найдете в разделе поддержки на нашем веб-сайте.

Проверка используемой версии программного обеспечения

Чтобы узнать версию Blackmagic Camera Setup, установленную на вашем компьютере, откройте окно About Blackmagic Camera Setup.

- На компьютере с операционной системой macOS откройте утилиту Blackmagic Camera Setup в папке «Приложения». В меню выберите About Blackmagic Camera Setup, чтобы узнать номер версии.
- На компьютере с операционной системой Windows откройте утилиту Blackmagic Camera Setup в меню или на экране «Пуск». В меню «Помощь» выберите About Blackmagic Camera Setup, чтобы узнать номер версии.

Загрузка последних версий программного обеспечения

Узнав установленную версию утилиты Blackmagic Camera Setup, перейдите в раздел поддержки Blackmagic Design на странице www.blackmagicdesign.com/ru/support, чтобы проверить наличие обновлений. Рекомендуется всегда использовать последнюю версию программного обеспечения, однако обновление лучше всего выполнять после завершения текущего проекта.

Соблюдение нормативных требований

Утилизация электрооборудования и электронной аппаратуры в Европейском Союзе



Изделие содержит маркировку, в соответствии с которой его запрещается утилизировать вместе с бытовыми отходами. непригодное для эксплуатации оборудование необходимо передать в пункт вторичной переработки. Раздельный сбор отходов и их повторное использование позволяют беречь природные ресурсы, охранять окружающую среду и защищать здоровье человека. Чтобы получить подробную информацию о порядке утилизации, обратитесь в местные муниципальные органы или к дилеру, у которого вы приобрели это изделие.

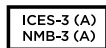


Данное оборудование протестировано по требованиям для цифровых устройств класса А (раздел 15 спецификаций FCC) и признано соответствующим всем предъявляемым критериям. Соблюдение упомянутых нормативов обеспечивает достаточную защиту от вредного излучения при работе оборудования в нежилых помещениях. Так как это изделие генерирует и излучает радиоволны, при неправильной установке оно может становиться источником радиопомех. Если оборудование эксплуатируется в жилых помещениях, высока вероятность возникновения помех, влияние которых в этом случае пользователь должен устранить самостоятельно.

До эксплуатации допускаются устройства, соответствующие двум главным требованиям.

- 1 Оборудование не должно быть источником вредных помех.
- 2 Оборудование должно быть устойчивым к помехам, включая помехи, которые могут вызвать сбой в работе.

Соответствие требованиям ISED (Канада)



Данное оборудование соответствует канадским стандартам для цифровых устройств класса А.

Любая модификация или использование изделия не по назначению могут повлечь за собой аннулирование заявления о соответствии этим стандартам.

Подключение к HDMI-интерфейсу должно выполняться с помощью качественного экранированного кабеля.

Данное оборудование протестировано по требованиям, предъявляемым к устройствам при работе в нежилых помещениях. При использовании в бытовых условиях оно может становиться источником помех для радиосигнала.

BLUETOOTH®

Это изделие использует технологию беспроводной связи Bluetooth.

Оборудование содержит передающий модуль FCC ID: QOQBGM113.

Данное оборудование соответствует требованиям по радиационному излучению, установленным Федеральной комиссией связи США для неконтролируемой окружающей среды.

Оборудование содержит передающий модуль IC: 5123A-BGM113.

Данное устройство соответствует требованиям промышленных стандартов Канады для нелицензируемого оборудования и техники, которая не подпадает под действие норм поглощения электромагнитной энергии (RSS-102 Issue 5).

Сертифицировано для использования в Японии, номер сертификата 209-J00204. Данное оборудование содержит элементы, сертифицированные в соответствии с регламентом Technical Regulation Conformity Certification по отраслевому законодательству.

Оборудование сертифицировано для использования в Южной Корее, номер сертификата: MSIP-CRM-BGT-BGM113.

Настоящим компания Blackmagic Design подтверждает, что изделие использует широкополосную систему передачи данных в диапазоне 2,4 ГГц (ISM) с соблюдением требований Директивы 2014/53/EU.

Полный текст декларации соответствия для ЕС доступен по запросу на адрес compliance@blackmagicdesign.com.

Правила безопасности

Допускается эксплуатация камеры в условиях тропического климата с температурой окружающей среды до 40°C.

Внутри корпуса не содержатся детали, подлежащие обслуживанию. Для выполнения ремонтных работ обратитесь в местный сервисный центр Blackmagic Design.

Камера и аккумулятор не должны подвергаться продолжительному воздействию прямых солнечных лучей, а литий-ионные батареи следует хранить вдали от источников тепла.



При работе с прилагаемым сетевым адаптером допускается эксплуатация в местах не выше 2000 метров над уровнем моря.

Уведомление для жителей штата Калифорния

При работе с этим оборудованием существует возможность контакта с содержащимися в пластмассе микропримесями многобромистого бифенила, который в штате Калифорния признан канцерогеном и увеличивает риск врожденных дефектов и пороков репродуктивной системы.

Подробнее см. информацию на сайте www.P65Warnings.ca.gov.

Гарантия

Ограниченная гарантия

Компания Blackmagic Design гарантирует отсутствие в данном изделии дефектов материала и производственного брака в течение 12 месяцев с даты продажи. Если во время гарантийного срока будут выявлены дефекты, Blackmagic Design по своему усмотрению выполнит ремонт неисправного изделия без оплаты стоимости запчастей и трудозатрат или заменит такое изделие новым.

Чтобы воспользоваться настоящей гарантией, потребитель обязан уведомить компанию Blackmagic Design о дефекте до окончания гарантийного срока и обеспечить условия для предоставления необходимых услуг. Потребитель несет ответственность за упаковку и доставку неисправного изделия в соответствующий сервисный центр Blackmagic Design с оплатой почтовых расходов. Потребитель обязан оплатить все расходы по доставке и страхованию, пошлины, налоги и иные сборы в связи с возвратом изделия вне зависимости от причины.

Настоящая гарантия не распространяется на дефекты, отказы и повреждения, возникшие из-за ненадлежащего использования, неправильного ухода или обслуживания. Компания Blackmagic Design не обязана по настоящей гарантии: а) устранять повреждения, возникшие в результате действий по установке, ремонту или обслуживанию изделия лицами, которые не являются персоналом Blackmagic Design; б) устранять повреждения, возникшие в результате ненадлежащего использования или подключения к несовместимому оборудованию; в) устранять повреждения или дефекты, вызванные использованием запчастей или материалов других производителей; г) обслуживать изделие, если оно было модифицировано или интегрировано с другим оборудованием, когда такая модификация или интеграция увеличивает время или повышает сложность обслуживания изделия.

НАСТОЯЩАЯ ГАРАНТИЯ ПРЕДОСТАВЛЯЕТСЯ КОМПАНИЕЙ BLACKMAGIC DESIGN ВМЕСТО ЛЮБЫХ ДРУГИХ ПРЯМО ВЫРАЖЕННЫХ ИЛИ ПОДРАЗУМЕВАЕМЫХ ГАРАНТИЙ. КОМПАНИЯ BLACKMAGIC DESIGN И ЕЕ ДИЛЕРЫ ОТКАЗЫВАЮТСЯ ОТ ЛЮБЫХ ПОДРАЗУМЕВАЕМЫХ ГАРАНТИЙ КОММЕРЧЕСКОЙ ЦЕННОСТИ ИЛИ ПРИГОДНОСТИ ДЛЯ КАКОЙ-ЛИБО ОПРЕДЕЛЕННОЙ ЦЕЛИ. ОТВЕТСТВЕННОСТЬ BLACKMAGIC DESIGN ПО РЕМОНТУ ИЛИ ЗАМЕНЕ НЕИСПРАВНЫХ ИЗДЕЛИЙ В ТЕЧЕНИЕ ГАРАНТИЙНОГО СРОКА ОБСЛУЖИВАНИЯ ЯВЛЯЕТСЯ ПОЛНЫМ И ИСКЛЮЧИТЕЛЬНЫМ СРЕДСТВОМ ВОЗМЕЩЕНИЯ, ПРЕДОСТАВЛЯЕМЫМ ПОТРЕБИТЕЛЮ. BLACKMAGIC DESIGN НЕ НЕСЕТ ОТВЕТСТВЕННОСТИ ЗА КОСВЕННЫЕ, ФАКТИЧЕСКИЕ, СОПУТСТВУЮЩИЕ ИЛИ ПОСЛЕДУЮЩИЕ УБЫТКИ, ВНЕ ЗАВИСИМОСТИ ОТ ТОГО, БЫЛА ИЛИ НЕТ КОМПАНИЯ BLACKMAGIC DESIGN (ЛИБО ЕЕ ДИЛЕР) ПРЕДВАРИТЕЛЬНО ИЗВЕЩЕНА О ВОЗМОЖНОСТИ ТАКИХ УБЫТКОВ. BLACKMAGIC DESIGN НЕ НЕСЕТ ОТВЕТСТВЕННОСТИ ЗА ПРОТИВОПРАВНОЕ ИСПОЛЬЗОВАНИЕ ОБОРУДОВАНИЯ СО СТОРОНЫ ПОТРЕБИТЕЛЯ. BLACKMAGIC DESIGN НЕ НЕСЕТ ОТВЕТСТВЕННОСТИ ЗА УБЫТКИ, ВОЗНИКАЮЩИЕ ВСЛЕДСТВИЕ ИСПОЛЬЗОВАНИЯ ЭТОГО ИЗДЕЛИЯ. ПОТРЕБИТЕЛЬ ПРИНИМАЕТ НА СЕБЯ РИСКИ, СВЯЗАННЫЕ С ЕГО ЭКСПЛУАТАЦИЕЙ.

© Copyright 2019 Blackmagic Design. Все права защищены. Blackmagic Design, URSA, DeckLink, HDLink, Workgroup Videohub, Multibrige Pro, Multibrige Extreme, Intensity и "Leading the creative video revolution" зарегистрированы как товарные знаки в США и других странах. Названия других компаний и наименования продуктов могут являться товарными знаками соответствующих правообладателей.

Обозначение и логотипы Bluetooth являются зарегистрированными товарными знаками Bluetooth SIG, Inc., а их использование со стороны компании Blackmagic Design осуществляется по лицензии. Прочие товарные знаки и торговые марки являются собственностью соответствующих владельцев.



Manuale di istruzioni

Blackmagic Pocket Cinema Camera

Include Blackmagic Pocket Cinema Camera 6K
e Blackmagic Pocket Cinema Camera 4K

Novembre 2019

Italiano



Gentile utente

Grazie per aver acquistato la nuova Pocket Cinema Camera.

Nel 2013 abbiamo lanciato la prima Pocket Cinema Camera. È nata come cinepresa compatta con ampia gamma dinamica, per offrire immagini cinematografiche e la massima portabilità. È stata un vero successo. In seguito, i nostri utenti ci hanno richiesto una versione 4K, e così nel 2018 abbiamo lanciato Pocket Cinema Camera 4K. Ora siamo felici di presentare Pocket Cinema Camera 6K.

Il modello 6K vanta un sensore Super 35mm e un attacco obiettivo EF. Il modello 4K offre lo stesso attacco micro 4/3 di quella originale, per consentire l'utilizzo delle ottiche micro 4/3 esistenti. Pocket Cinema Camera 4K registra video 4K fino a 60 fps, e video HD fino a 120 fps sulle schede CFast o SD UHS II. Pocket Cinema Camera 6K va ancora oltre, perché registra video 2.8K a 120 fps, e video 6K fino a 60 fps. Grazie alla porta USB C, è possibile registrare direttamente sui drive esterni. Per accedere e lavorare al materiale basta disconnettere il drive dalla camera e collegarlo direttamente al computer.

Grazie ai 13 stop di gamma dinamica e al doppio ISO nativo, questa camera produce immagini straordinarie anche in condizioni di illuminazione variabile. Lo schermo LCD touch 5" integrato è ideale per monitorare la messa a fuoco e i dettagli più minuziosi delle immagini, anche in piena luce del giorno. Inoltre i quattro microfoni interni catturano un audio di alta qualità.

Pocket Cinema Camera è realizzata con un composto rinforzato in fibra di carbonio ultra resistente e allo stesso tempo leggero, per usarla in tutto comfort. Si alimenta tramite una batteria LP-E6, un adattatore AC, o un alimentatore esterno DC 12V. Inoltre è compatibile con Blackmagic RAW, il codec che offre la flessibilità dell'elaborazione RAW in un singolo file, prestazioni nettamente superiori, e file di piccole dimensioni.

Ci auguriamo che Pocket Cinema Camera possa diventare lo strumento per esprimere la tua creatività! Ti invitiamo a condividere feedback e suggerimenti per consentirci di arricchirla con nuove funzioni.

A stylized, handwritten signature in black ink that reads "Grant Petty". The signature is fluid and cursive, with the first letters of "Grant" and "Petty" being larger and more prominent.

Grant Petty

AD di Blackmagic Design

Indice

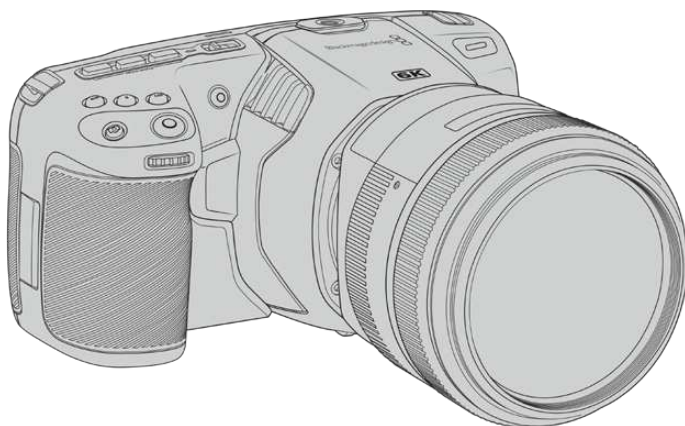
Blackmagic Pocket Cinema Camera

Quale camera stai utilizzando?	1151	Predefiniti	1228
Operazioni preliminari	1152	LUT 3D	1230
Installare un obiettivo	1152	Inserire i metadati	1233
Accendere la cinepresa	1153	Ciak	1233
Utilizzare Blackmagic Pocket Camera Battery Grip	1153	Uscita video	1238
Alimentare la camera con il cavo incluso	1155	DaVinci Resolve	1239
Archiviazione	1156	Project Manager	1239
Schede CFast	1156	Montaggio sulla pagina Cut	1240
Schede SD	1157	Aggiungere le clip alla timeline	1243
Unità flash USB C	1159	Montare le clip sulla timeline	1244
Preparare i supporti di memoria per la registrazione	1161	Inserire i titoli	1244
Preparare i supporti di memoria su Pocket Cinema Camera	1161	Lavorare con i file Blackmagic RAW	1245
Preparare i supporti di memoria su Mac	1163	Correggere le clip sulla pagina Color	1248
Preparare le schede su Windows	1164	Aggiungere una finestra Power Window	1251
Registrazione	1165	Usare i plug-in	1253
Registrazione le clip	1165	Mixare l'audio	1254
Blackmagic RAW	1166	VFX e compositing sulla pagina Fusion	1258
Registrazione in Blackmagic RAW	1167	Mastering post montaggio	1267
Frame rate compatibili	1169	Esportazione veloce	1267
Durata della registrazione	1171	La pagina Deliver	1268
Riproduzione	1176	Lavorare con software di terzi	1269
Caratteristiche della camera	1177	Utilizzare i file delle schede CFast 2.0 e SD	1269
Lato anteriore	1177	Utilizzare i file dalle unità flash USB C	1269
Lato destro	1178	Istruzioni per Final Cut Pro X	1270
Lato sinistro	1178	Istruzioni per Avid Media Composer 2018	1270
Lato superiore	1180	Istruzioni per Adobe Premiere Pro CC	1271
Base	1181	Utilità Blackmagic Camera Setup	1272
Retro	1182	Supporti di memoria consigliati	1273
Controlli touch	1183	Schede CFast 2.0	1273
Impostazioni	1204	Schede SD	1279
Dashboard	1204	SSD USB C	1282
Impostazioni di registrazione	1204	Assistenza	1286
Denominazione dei file	1209	Normative	1287
Impostazioni di monitoraggio	1210	Sicurezza	1288
Impostazioni audio	1216	Garanzia	1289
Impostazioni generali	1219		

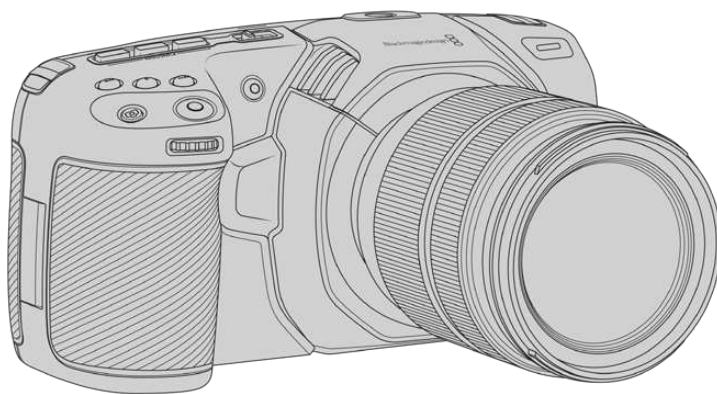
Quale camera stai utilizzando?

I modelli Blackmagic Pocket Cinema Camera 6K e Blackmagic Pocket Cinema Camera 4K hanno lo stesso design di base e catturano immagini straordinarie dall'ampia gamma dinamica. I pulsanti di controllo, i menù, e il modo di operare le cineprese sono pressoché uguali.

Pocket Cinema Camera 6K vanta un sensore Super 35mm e un attacco obiettivo EF. Troverai l'icona **6K** sopra l'attacco obiettivo. Pocket Cinema Camera 4K offre un sensore micro 4/3 e un attacco obiettivo micro 4/3.



Blackmagic Pocket Cinema Camera 6K



Blackmagic Pocket Cinema Camera 4K

Operazioni preliminari

Pocket Cinema Camera è una piccola cinepresa digitale portatile che registra immagini di alta qualità sulle veloci schede CFast 2.0, SD UHS I e UHS II, o SSD tramite la porta USB C. Registra le clip avvalendosi di codec professionali sviluppati per la post produzione, tra cui Blackmagic RAW e ProRes.

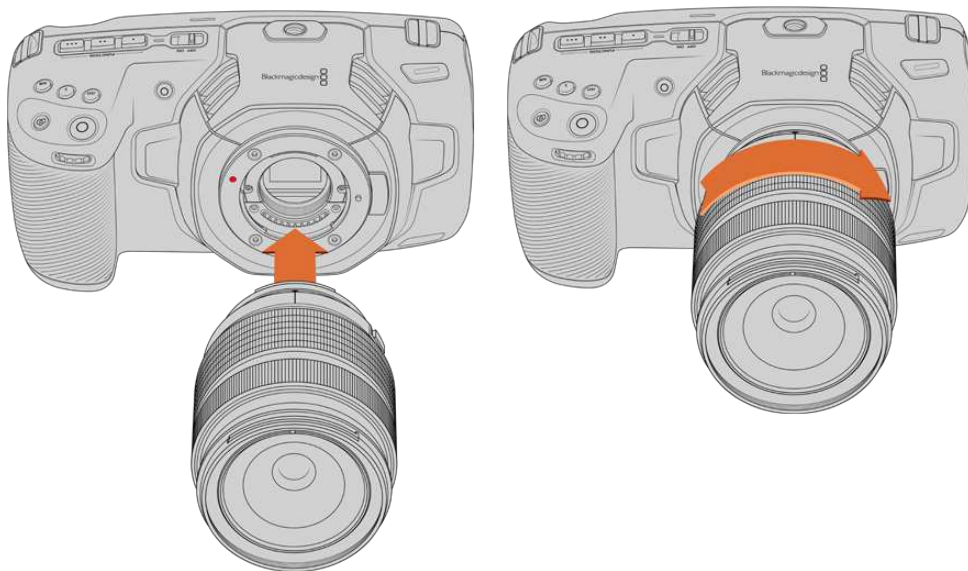
Per cominciare, installa l'obiettivo su Pocket Cinema Camera, poi collega l'alimentazione.

Installare un obiettivo

Pocket Cinema Camera 6K utilizza obiettivi EF e Pocket Cinema Camera 4K obiettivi micro 4/3. Sono ottiche molto diffuse, economiche, e disponibili in un'ampia varietà di modelli. Segui lo stesso procedimento per installare un obiettivo sia sul modello 6K che su quello 4K di Pocket Cinema Camera. Per entrambe le camere, come primo passo rimuovi il coperchio antipolvere dell'attacco obiettivo, tenendo premuto il pulsante di blocco e ruotando il coperchio in senso antiorario.

Come installare un obiettivo EF o micro 4/3:

- 1 Allinea il punto dell'obiettivo con quello dell'attacco della cinepresa. Spesso il punto è colorato, per esempio blu, rosso o bianco.
- 2 Inserisci l'obiettivo nell'attacco e ruotalo in senso orario fino a quando si blocca in posizione.
- 3 Per rimuovere l'obiettivo, premi il pulsante di blocco e ruota l'obiettivo in senso antiorario fino a quando il punto raggiunge la posizione ore 10 (per i micro 4/3) o ore 12 (per gli EF). Rimuovilo delicatamente.



Come installare un obiettivo micro 4/3 su Blackmagic Pocket Cinema Camera 4K

NOTA Se sulla camera non è installato nessun obiettivo, il filtro di vetro che copre il sensore è esposto alla polvere e ad altri residui, per cui è consigliabile proteggerlo con il coperchio antipolvere.

Accendere la cinepresa

Ora che l'obiettivo è al suo posto, collega l'alimentazione. Blackmagic Pocket Cinema Camera si alimenta inserendo una batteria LP-E6 nella camera, due batterie NP-F570 nel Blackmagic Pocket Camera Battery Grip, oppure connettendo l'adattatore incluso all'ingresso per alimentazione della camera.

Inserire una batteria e alimentare la camera

La tua Pocket Cinema Camera utilizza le comuni batterie rimovibili LP-E6. Una è in dotazione alla camera. Le batterie sono acquistabili dai rivenditori Blackmagic Design o nei negozi di articoli di fotografia e video.

- 1 Sulla parte inferiore della camera, premi e slitta la levetta di chiusura per aprire lo sportellino della batteria.
- 2 Con i contatti rivolti verso l'alloggiamento, inserisci la batteria LP-E6 fino a sentire un clic. Ora puoi chiudere lo sportellino con la levetta di chiusura.

SUGGERIMENTO Per rimuovere la batteria, slitta la levetta di chiusura verso la parte anteriore della camera.

- 3 Chiudi lo sportellino dell'alloggiamento della batteria fino a bloccarlo in posizione.
- 4 Sposta l'interruttore sulla parte superiore della camera su **On** per accenderla. Per spegnerla, sposta l'interruttore su **Off**.

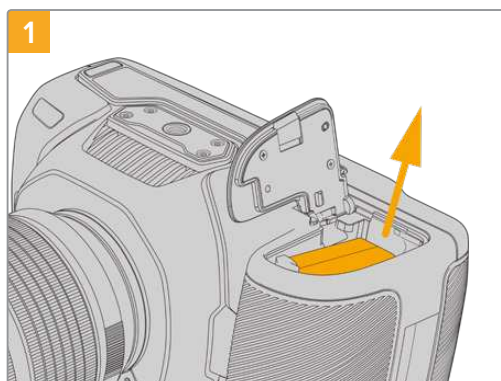
Utilizzare Blackmagic Pocket Camera Battery Grip

Se possiedi Blackmagic Pocket Camera Battery Grip, installalo prima di continuare. Blackmagic Pocket Camera Battery Grip è compatibile con i modelli Pocket Cinema Camera 6K e Pocket Cinema Camera 4K.

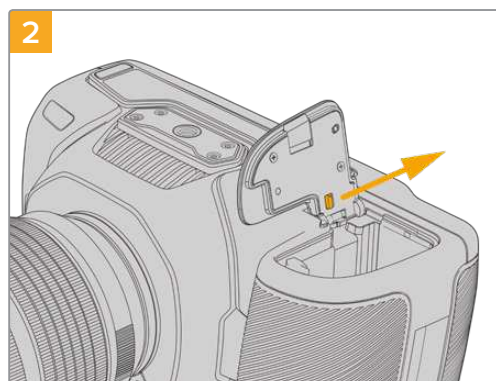
L'impugnatura laterale ospita due batterie NP-F570 L-Series e consente di filmare senza interruzioni per due ore consecutive. Connettendo l'ingresso 12V DC si ricaricano le batterie nell'impugnatura, o si alimenta la camera quando si cambiano le batterie. Puoi utilizzare la porta USB C per ricaricare le batterie nell'impugnatura quando la camera è spenta.

Per montare Blackmagic Pocket Camera Battery Grip:

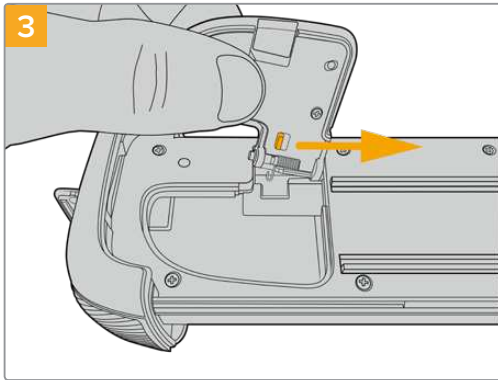
Prima di installare Blackmagic Pocket Camera Battery Grip, spegni Pocket Cinema Camera e disconnetti l'alimentazione esterna.



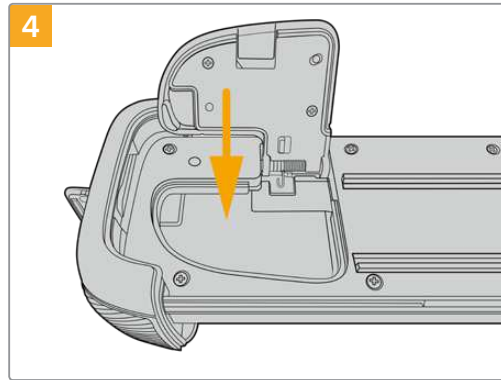
1 Apri lo sportellino dell'alloggiamento della batteria e rimuovi la batteria LP-E6.



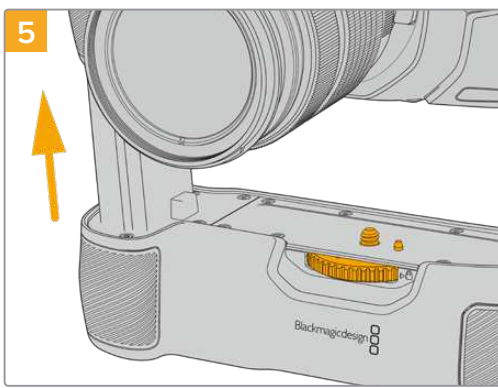
2 Slitta lo sportellino verso il retro della camera e rimuovilo completamente.



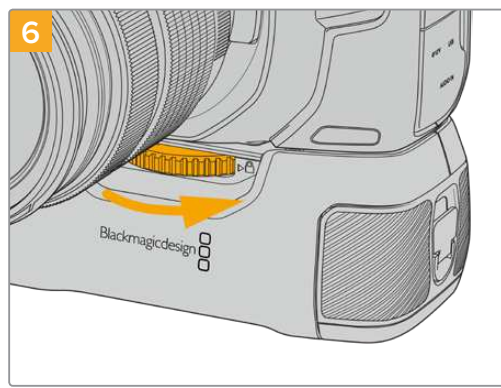
Conserva lo sportellino dell'alloggiamento della batteria nell'incavo alla base del vassoio per batteria dell'impugnatura.



Chiudi lo sportellino.

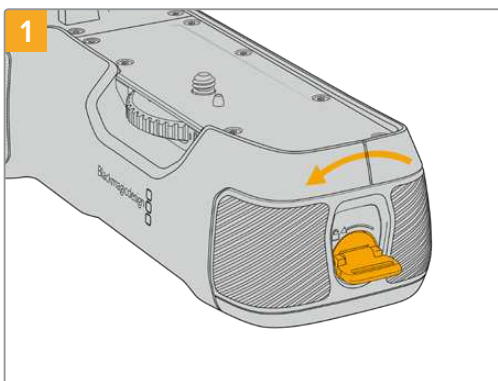


Inserisci la parte dell'impugnatura con la forma della batteria nell'alloggiamento della batteria. La vite di 1/4" sulla parte superiore dell'impugnatura deve essere allineata al foro filettato di 1/4"-20 alla base della camera. Un piccolo pin di riferimento vicino alla vite di 1/4" aiuta a mantenere il corretto allineamento.

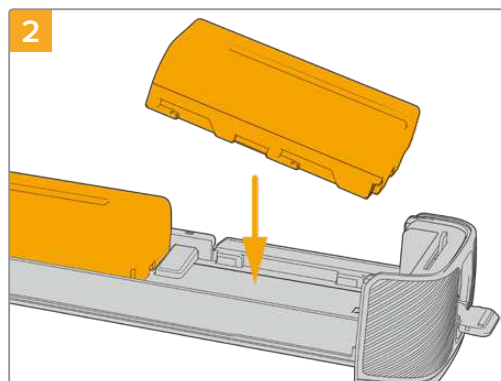


Ruota la manopola dentata sulla parte anteriore dell'impugnatura verso destra per fissare saldamente l'impugnatura alla camera.

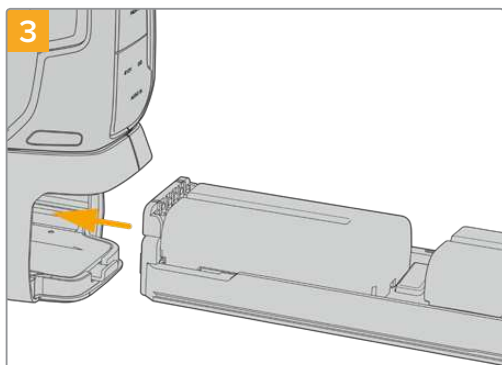
Per inserire le batterie nella Blackmagic Pocket Camera Battery Grip:



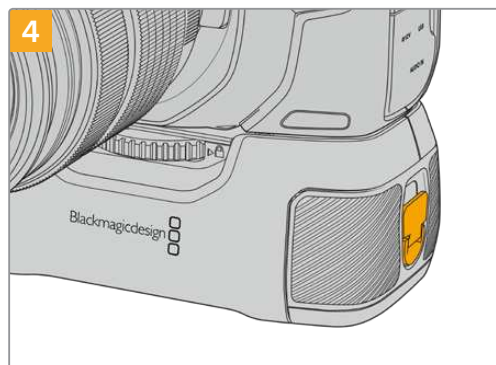
Gira la linguetta di blocco a lato dell'impugnatura in senso antiorario per sbloccare il vassoio della batteria. Estrai il vassoio della batteria. Questa operazione si può effettuare prima o dopo l'installazione di Blackmagic Pocket Battery Grip sulla camera.



Inserisci due batterie NP-F570 nel vassoio della batteria e slittale verso il lato opposto l'una dall'altra. Una linguetta tra le batterie si sposta leggermente per bloccarle nell'alloggiamento. Per rimuovere le batterie, premi la linguetta verso il basso e slitta le batterie l'una verso l'altra.



Slitta il vassoio per batteria all'interno dell'impugnatura e gira la linguetta di blocco in senso orario. Per continuare a filmare senza interruzioni quando si cambiano le batterie dall'impugnatura, ricordati di collegare una fonte di alimentazione esterna all'ingresso DC della camera.



Gira la linguetta di blocco a lato dell'impugnatura in senso orario per bloccare il vassoio della batteria.

SUGGERIMENTO Quando è installata Blackmagic Pocket Camera Battery Grip con due batterie, l'indicatore della carica residua della batteria in alto a destra sul touchscreen mostra due icone separate per monitorarne la carica singolarmente. Consulta la sezione "Alimentazione" per maggiori informazioni.

Alimentare la camera con il cavo incluso

L'alimentatore 100-240V in dotazione alimenta la camera e contemporaneamente ricarica la batteria LP-E6, o le due batterie NP-F570 se è stata installata Blackmagic Pocket Camera Battery Grip. Il connettore per alimentazione DC offre un sistema di blocco che evita disconnessioni improvvise.

Come collegare l'alimentazione esterna:

- 1 Collega la spina dell'adattatore da AC a DC 12V alla corrente.
- 2 Apri lo sportellino in gomma sul lato sinistro della camera, e ruota il connettore DC per farlo allineare con l'incavo sulla parte superiore dell'ingresso 12V DC. Inserisci delicatamente il connettore nell'ingresso fino a sentire un clic.
- 3 Per disconnetterlo, ritrai leggermente la guaina metallica e rimuovi il connettore dall'ingresso.

Se sono connesse le batterie e l'alimentazione esterna, viene usata solo quest'ultima. Se disconnetti l'alimentazione esterna e sono inserite batterie cariche, la camera passa alle batterie senza interruzioni.

È possibile caricare la batteria LP-E6 tramite USB a camera spenta, per esempio con un caricabatteria portatile. Blackmagic Pocket Cinema Camera è compatibile con i caricatori da parete standard USB 10W, e con i caricatori che supportano USB Power Delivery (USB PD). I caricatori USB PD sono dotati solitamente di una porta USB C e 20V di alimentazione per una ricarica veloce. Puoi ricaricare la batteria LP-E6 tramite l'ingresso DC 12V quando la camera è accesa o spenta.

SUGGERIMENTO La velocità di ricarica delle batterie ancora calde è minore. Attendi 15 minuti dopo l'uso per far scendere la temperatura della batteria sotto i 45°C.

Ora puoi inserire o collegare i supporti di memoria e cominciare a registrare.

Archiviazione

Per registrare il video, Blackmagic Pocket Cinema Camera utilizza le schede SD standard, le più veloci SD UHS II, e le CFast 2.0.

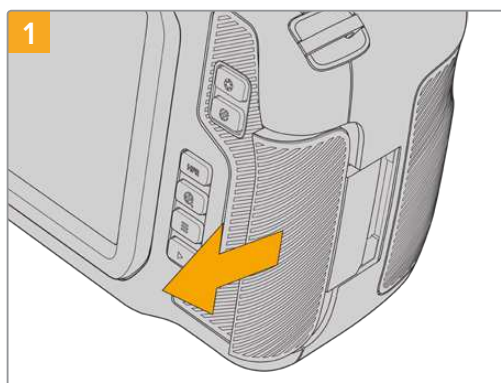
Grazie alla porta di espansione USB C, puoi anche connettere una unità flash USB C per aumentare la durata di registrazione.

Schede CFast

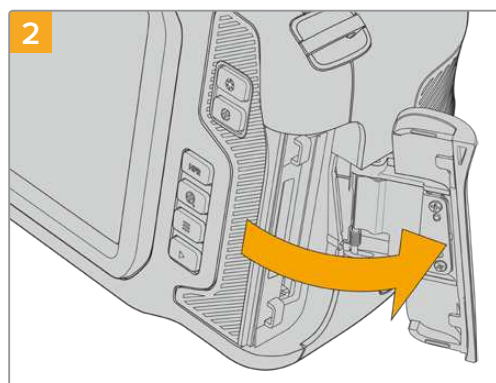
Le schede CFast 2.0 sono ideali per la cattura in HD, 4K e 6K con elevati frame rate. Consulta la tabella della durata di registrazione nella sezione "Registrazione" per trovare i limiti di frame rate di ogni formato.

NOTA La velocità di trasferimento dati e la velocità di scrittura delle schede CFast 2.0 sono elevate, ma possono variare secondo i modelli. Per registrare senza problemi con il frame rate desiderato, utilizza le schede di memoria consigliate da Blackmagic Design.

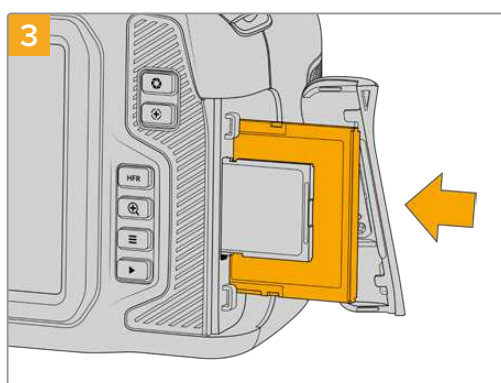
Come inserire una scheda CFast:



1 Apri lo sportellino sul lato destro della camera per accedere agli slot delle schede di memoria.



2 Lo sportellino è dotato di una molla e dà accesso agli slot per le schede CFast e SD.

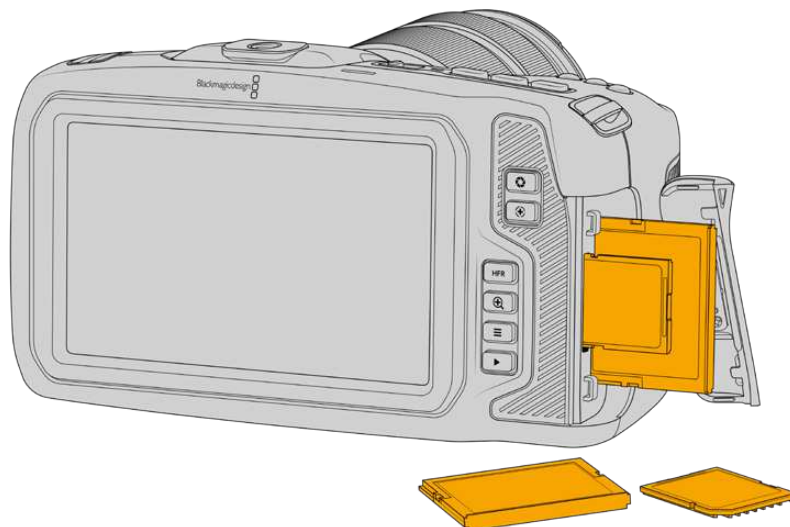


3 Inserisci la scheda nello slot CFast fino a sentire un clic. La scheda scorre facilmente, senza bisogno di forzarla. Per rimuoverla, premi la scheda verso l'interno fino a sentire un clic e rilascia.



4 In basso al touchscreen appare il nome e la registrazione residua della scheda CFast rilevata.

Una scheda CFast si inserisce allo stesso modo di una scheda SD. Per maggiori informazioni, consulta la sezione "Come inserire una scheda SD".



Scegliere una scheda CFast 2.0

Quando si cattura ad alto data rate è essenziale scegliere attentamente la scheda CFast 2.0, perché ogni modello ha velocità di lettura e scrittura diverse.

Per la lista più recente delle schede CFast 2.0 consigliate da Blackmagic Design per girare con Pocket Cinema Camera, consulta la sezione "Supporti di memoria consigliati".

Per la lista più recente delle schede CFast compatibili con Blackmagic Pocket Cinema Camera, visita la pagina Supporto di Blackmagic Design www.blackmagicdesign.com/it/support.

Schede SD

Oltre alle schede CFast 2.0, la camera registra sulle veloci schede SD UHS I e UHS II.

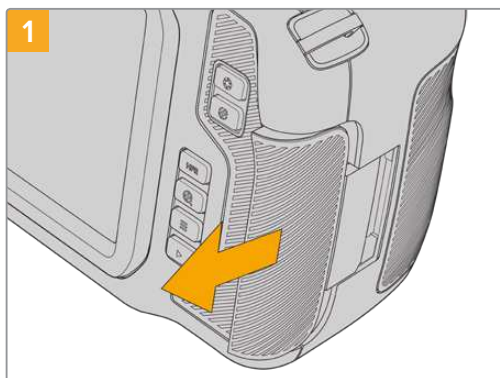
Le schede SD UHS I sono una soluzione economica per archiviare i formati video compressi in HD, mentre le più veloci UHS II sono adatte per i formati Blackmagic RAW e Ultra HD in ProRes.

Le economiche schede SD sono un'ottima scelta per i formati video compressi in HD.

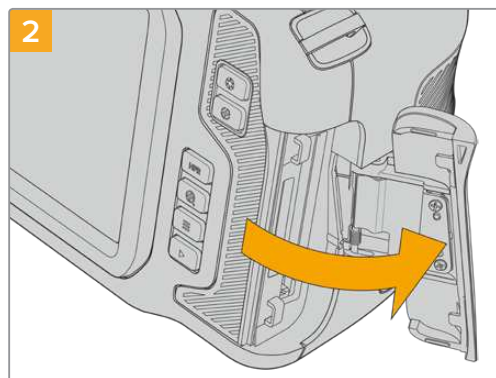
SDXC e SDHC sono supporti di memoria molto comuni per le fotocamere e le videocamere di largo consumo. Se hai già filmato con una DSLR, Blackmagic Micro Cinema Camera, Pocket Cinema Camera, o Blackmagic Video Assist, puoi riutilizzare le stesse schede SD.

Per i progetti che non richiedono file ad altissima risoluzione, o per le registrazioni di lunga durata, le schede SD sono l'opzione più economica. Le schede SD meno capienti e meno veloci si possono utilizzare per archiviare le LUT e i predefiniti.

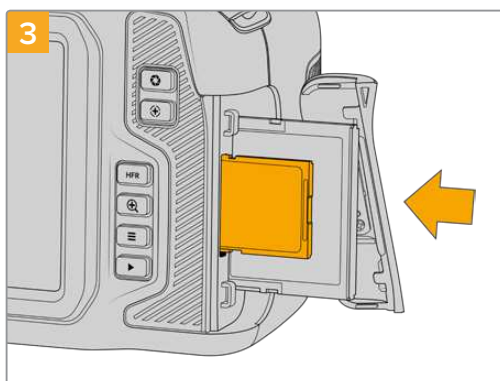
Come inserire una scheda SD:



Apri lo sportellino sul lato destro della camera per accedere agli slot delle schede di memoria.



Lo sportellino è dotato di una molla e dà accesso agli slot delle schede di memoria.



Con l'etichetta della SD rivolta verso il touchscreen, inserisci la scheda nello slot per SD fino a sentire un clic. La scheda scorre facilmente, senza bisogno di forzarla. Spingi delicatamente la scheda SD verso l'interno per estrarla.



In basso al touchscreen appare il nome e la registrazione residua della scheda SD rilevata.

Scegliere una scheda SD

Per le registrazioni in 6K, 4K DCI o Ultra HD, consigliamo di utilizzare le schede SD tipo UHS II più veloci, mentre per il formato HD sono sufficienti le schede SD UHS I. Queste schede SD sono progettate appositamente per elaborare dati ad alta velocità e hanno una maggiore capacità di archiviazione. Solitamente più sono veloci, migliore è la qualità.

Prima di utilizzare le schede, è necessario formattarle in HFS+ o exFAT. Tocca il supporto di memoria sul touchscreen, poi **Formatta SD**. Consulta la sezione "Impostazioni" per maggiori informazioni.

Per formattare le schede puoi anche utilizzare un computer Mac o Windows. Formatta in HFS+ (detto anche OS X Extended) su macOS, in exFAT su Windows. Mac legge anche il formato exFAT.

Per la lista più recente delle schede SD consigliate da Blackmagic Design per girare con Pocket Cinema Camera, consulta la sezione "Supporti di memoria consigliati".

Per la lista più recente delle schede SD compatibili con Blackmagic Pocket Cinema Camera, visita la pagina Supporto di Blackmagic Design www.blackmagicdesign.com/it/support.

NOTA Per la cattura ad alta risoluzione e a frame rate elevati, consigliamo le schede CFast 2.0 o un'unità flash USB C perché sono più veloci e capienti.

Bloccare e sbloccare le schede SD

Le schede SD si possono proteggere, o bloccare, per evitare di sovrascrivere i dati esistenti. Prima di inserire la scheda, sposta la linguetta di protezione sulla sinistra verso l'alto, verso i connettori. Puoi bloccarla di nuovo dopo la cattura.



Sposta la linguetta per bloccare o sbloccare la scheda SD

Se la scheda SD inserita è bloccata, il touchscreen mostra la dicitura *Protetta* al posto della durata della registrazione. Inoltre appare un lucchetto sul menù di archiviazione a lato del nome della scheda. È necessario sbloccare la scheda SD per registrare, scattare foto, ed esportare le LUT e i predefiniti.

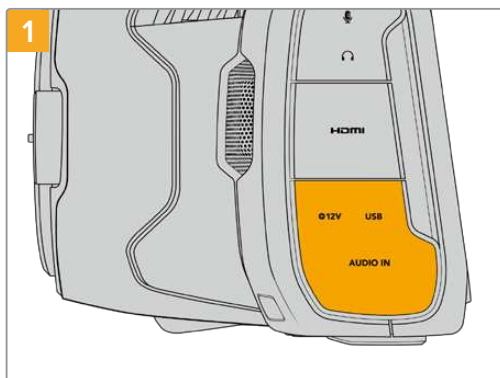


Unità flash USB C

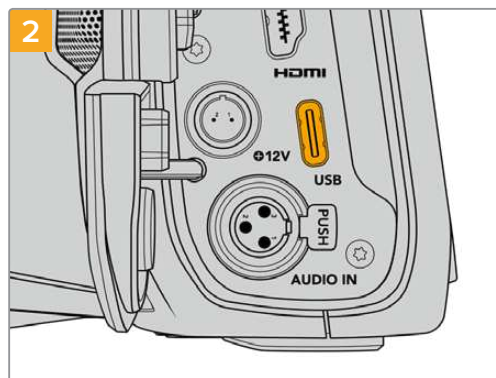
Pocket Cinema Camera integra una porta di espansione USB C ad alta velocità per registrare il video direttamente sulle unità flash USB C. Questi potenti drive sono ideali per registrare eventi di lunga durata senza interruzioni.

Una volta completata la registrazione, puoi collegare l'unità flash direttamente al computer per il montaggio e la post produzione, senza bisogno di copiare i file.

Come collegare una unità flash USB C:



1 Apri lo sportellino in gomma sul lato sinistro della camera per accedere alla porta USB C. Collega una estremità del cavo alla porta USB C.



2 Collega l'altra estremità del cavo USB C alla unità flash USB C.

NOTA L'unità flash USB C occupa il posto della scheda SD sul sistema operativo, rendendo lo slot SD non disponibile.

Per utilizzare una scheda SD, disconnetti l'unità flash USB C.

Scegliere una unità flash USB C veloce

Le unità flash USB C offrono un'archiviazione veloce ed economica per una varietà di dispositivi, e sono facilmente reperibili nei negozi di elettronica. Ma non tutte sono adatte per le riprese cinematografiche. Accertati di scegliere un modello sufficientemente potente per filmare in 6K o 4K.

Le unità flash USB C generiche potrebbero non avere una larghezza di banda sufficiente per girare video 6K e 4K.

Per la lista più recente delle unità flash USB C testate e consigliate da Blackmagic Design per girare con Pocket Cinema Camera, consulta la sezione "Supporti di memoria consigliati".

Per la lista più aggiornata delle unità flash USB C consigliate, visita www.blackmagicdesign.com/it/support.

Nota importante sulla velocità delle unità flash USB C

Alcuni modelli di unità flash USB C non salvano il video alla velocità dichiarata dal produttore, perché utilizzano una compressione dati nascosta, che raggiunge la velocità indicata dal produttore solo quando si tratta di semplici file o dati. Con il video non fa lo stesso perché contiene rumore e pixel.

Ecco perché la velocità di scrittura delle unità flash USB C è talvolta fino al 50% minore di quella indicata dal produttore. Anche se le specifiche indicano che l'unità flash USB C ha una velocità sufficiente per il video, in realtà non è in grado di gestire la cattura video in tempo reale.

Utilizza Blackmagic Disk Speed Test per testare la capacità di acquisizione e riproduzione con frame rate elevati della tua unità flash USB C. Blackmagic Disk Speed Test utilizza i dati per simulare l'archiviazione video su queste unità, con risultati sempre affidabili. I test Blackmagic hanno dimostrato che i modelli più nuovi e capienti delle unità flash USB C sono solitamente i più veloci.

Blackmagic Disk Speed Test è scaricabile dall'App Store per Mac. Le versioni Windows e macOS sono incluse in Blackmagic Desktop Video, che puoi scaricare alla sezione "Acquisizione e riproduzione" della pagina Supporto di Blackmagic Design www.blackmagicdesign.com/it/support.

Preparare i supporti di memoria per la registrazione

Per formattare le schede CFast, SD, o i drive USB C, tocca l'indicatore del supporto sul touchscreen e **Formatta** nel menù di archiviazione, oppure formatta tramite Mac o Windows. Consigliamo di formattare sulla camera per ottenere risultati migliori.

HFS+ è conosciuto come Mac OS X Extended, ed è il formato più affidabile perché supporta il journaling, che di solito consente il recupero dei dati in caso di danneggiamento della scheda di archiviazione. HFS+ è supportato nativamente da macOS, mentre exFAT è supportato nativamente da macOS e Windows senza il bisogno di un software aggiuntivo, ma non ammette il journaling.

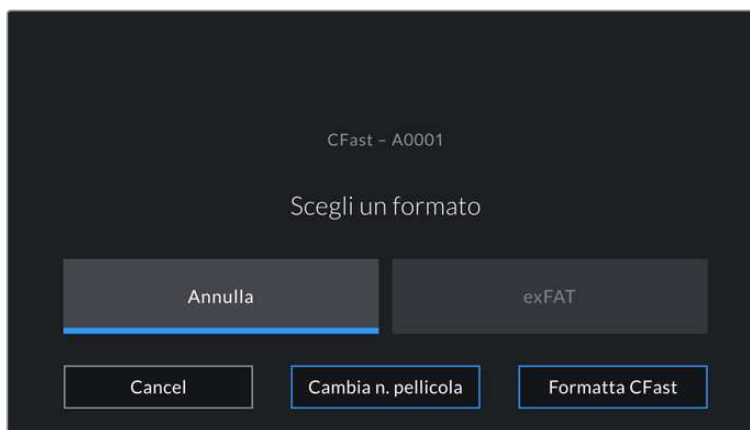
Preparare i supporti di memoria su Pocket Cinema Camera

- 1 Tocca l'indicatore del supporto di memoria in basso al touchscreen.
- 2 Tocca **Formatta SD**. Se hai connesso una unità flash USB C alla camera, appare al suo posto **Formatta drive**.



Se hai connesso una unità flash USB C alla camera, appare Formatta drive al posto di Formatta SD

- 3 Tocca **Cambia n. pellicola** per cambiare manualmente il numero della *pellicola*. Digita il numero con la tastiera e premi **Aggiorna** per confermare la selezione.
- 4 Scegli il formato OS X Extended o exFAT, e tocca il pulsante di formattazione.



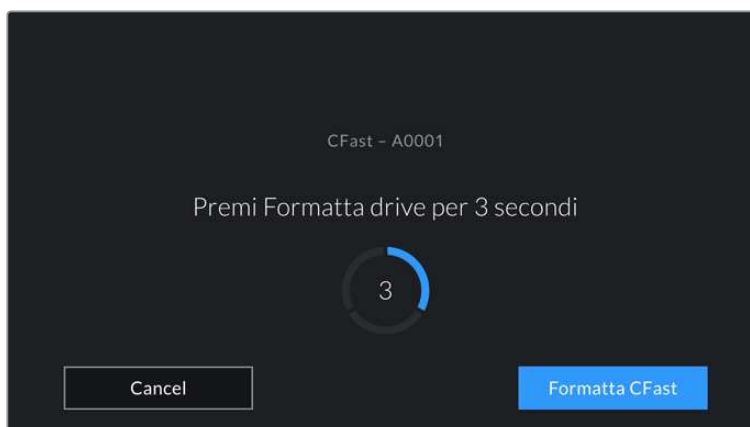
Tocca **Cambia n. Pellicola** per cambiare manualmente il numero della *pellicola*

- 5 Apparirà una finestra di conferma dei dettagli della scheda da formattare, inclusi nome, formato selezionato e numero della pellicola. Conferma la formattazione con **Formatta**, o tocca **Annulla** per annullare l'operazione.



Accertati di aver selezionato la scheda giusta prima di formattarla

- 6 Tieni premuto il pulsante **Formatta** per 3 secondi per cominciare la formattazione.



- 7 Riceverai una notifica quando la formattazione è completa e il drive pronto all'uso, o se l'operazione non è riuscita.
- 8 Tocca **OK** per ritornare al menù archiviazione.
- 9 Tocca **Esci** per uscire dal menù archiviazione.

Quando formatti dalla camera le schede CFast o SD e le unità flash USB C, l'ID della camera generato dal ciak digitale e il numero della pellicola vanno a formare il nome del supporto di memoria. La camera incrementa automaticamente il numero della *pellicola* ogni volta che si formatta una scheda/drive. Tocca **Cambia n. pellicola** per inserire manualmente il numero della *pellicola*.

Se lavori a un nuovo progetto e vuoi ricominciare la numerazione da 1, dalla tab **Progetto** del ciak digitale seleziona **Resetta dati**.



Il menù di archiviazione della camera conferma il tipo di scheda selezionato per la formattazione (CFast, SD, o unità flash USB C)

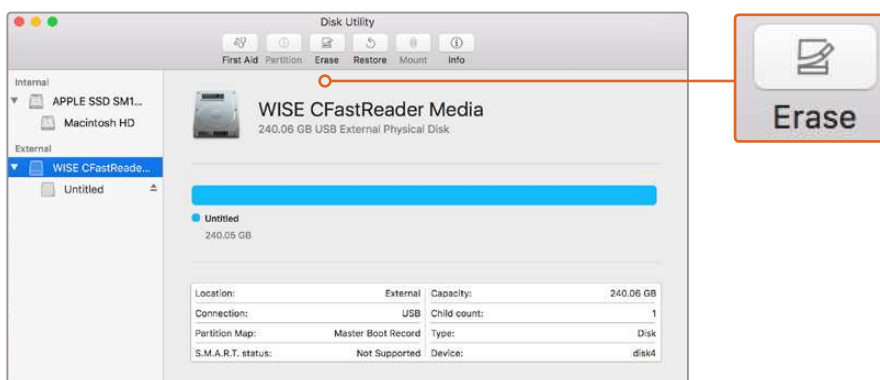
SUGGERIMENTO Se la scheda SD è protetta da scrittura, lo schermo LCD visualizza la dicitura *Protetta* invece della durata della registrazione sulla scheda, e il menù di archiviazione un lucchetto. Sblocca la scheda per formattarla e iniziare la registrazione. Consulta il capitolo "Schede SD" per maggiori informazioni.

NOTA Se è collegata un'unità flash USB C, la dicitura *Drive esterno* appare sullo slot 2.

Preparare i supporti di memoria su Mac

Utilizza l'applicazione Utility disco di macOS per formattare le schede CFast, SD, o le unità USB C in HFS+ o exFAT. Consigliamo di eseguire un backup, poiché una volta formattato il supporto di memoria i dati non sono recuperabili.

- 1 Connetti il supporto di memoria al computer. Ignora i messaggi di backup della Time Machine.
- 2 Vai su **Applicazioni > Utility Disco**.
- 3 Clicca sull'immagine disco del supporto di memoria e poi clicca sulla tab **Inizializza**.
- 4 Seleziona il formato **Mac OS Extended (journaling)** o **exFAT**.
- 5 Inserisci un **Nome** per il nuovo volume e poi clicca su **Elimina**. La formattazione durerà pochi istanti, e il supporto di memoria sarà pronto all'uso.

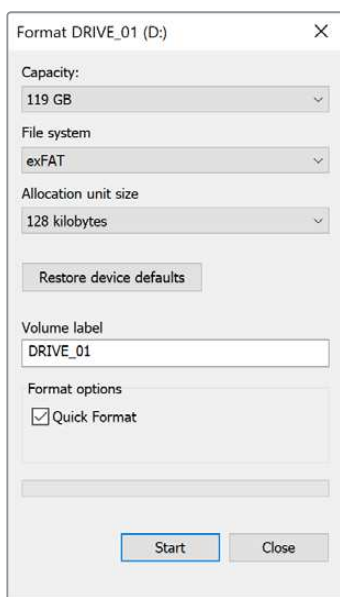


Usa l'Utility Disco su macOS per formattare il supporto di memoria nel formato Mac OS Extended (journaling) o exFAT

Preparare le schede su Windows

Usa la finestra di dialogo **Formatta** su Windows per formattare il supporto di memoria in exFAT. Consigliamo di eseguire un backup, poiché una volta formattato il supporto di memoria i dati non sono recuperabili.

- 1 Collega il supporto di memoria al computer tramite un lettore esterno, un adattatore o un cavo USB C.
- 2 Seleziona **Computer** dal menù **Start** o dalla schermata iniziale. Fai un clic destro sul supporto di memoria.
- 3 Seleziona **Formatta** dal menù contestuale.
- 4 Imposta il sistema di file su **exFAT** e la misura d'unità di assegnazione su **128 kb**.
- 5 Assegna un nome al volume, seleziona **Formattazione veloce** e clicca **Esegui**.
- 6 La formattazione durerà pochi istanti, e il supporto di memoria sarà pronto all'uso.



Usa la finestra di dialogo Formatta su Windows per formattare il supporto di memoria in exFAT

NOTA Se la registrazione salta dei fotogrammi, controlla che la scheda o il drive utilizzati rientrino nella lista consigliata per il codec e il frame rate selezionati. Per una velocità di trasferimento minore si consiglia di diminuire il frame rate o la risoluzione, o di utilizzare un codec compresso come ProRes. Per le informazioni più aggiornate, visita il sito di Blackmagic Design www.blackmagicdesign.com/it.

NOTA È possibile utilizzare supporti di memoria partizionati, ma la camera riconosce solo la prima partizione per la registrazione e la riproduzione.

Se utilizzi il menù di archiviazione per formattare il supporto di memoria, l'intero drive verrà cancellato, non solo la prima partizione utilizzata per la registrazione e la riproduzione. Per questo motivo consigliamo di utilizzare supporti di memoria con una sola partizione.

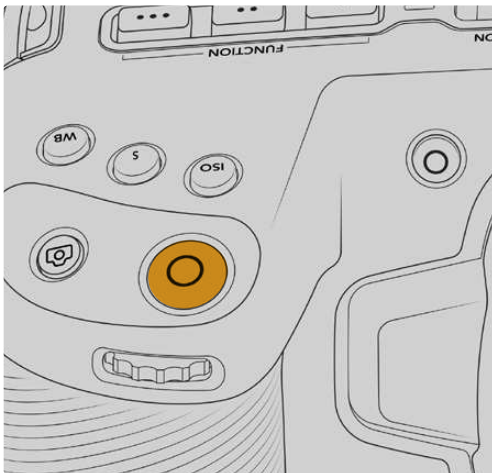
Registrazione

Registrazione le clip

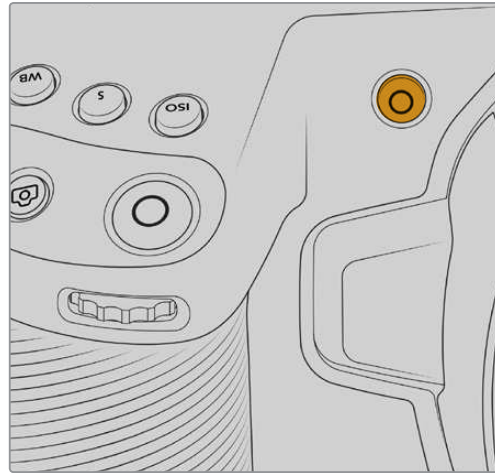
Pocket Cinema Camera ha due pulsanti di REC. Il pulsante primario si trova sulla parte superiore dell'impugnatura, per premerlo facilmente con l'indice della mano destra.

Il secondo pulsante è sulla parte anteriore, di facile accesso quando si punta la camera su se stessi, per esempio per registrare i vlog.

Premi uno dei pulsanti REC per iniziare a registrare. Premilo di nuovo per interrompere la registrazione.



Il tasto REC sulla parte superiore della camera



Il tasto REC sulla parte anteriore della camera

Prima di cominciare la cattura, tieni premuto il nome della scheda di memoria o della unità flash USB C che vuoi utilizzare, in basso al touchscreen. La barra sulla scheda o drive selezionato diventa blu, confermando che la registrazione verrà eseguita su questo supporto. Per selezionare un'altra scheda o drive, tienine premuto il nome sul touchscreen. La barra diventa rossa durante la registrazione.

Scegliere il formato di registrazione

Pocket Cinema Camera registra avvalendosi dei codec Apple ProRes, tra cui ProRes 422 HQ, ProRes 422, ProRes 422 LT, e ProRes 422 Proxy. Il formato ProRes permette di archiviare una maggiore quantità di video sulle schede SD e CFast o sulle unità flash USB C. ProRes 422 HQ garantisce la migliore qualità video e una compressione minima, mentre ProRes 422 Proxy offre tempi di registrazione nettamente superiori ma una compressione maggiore. La camera registra anche nel formato Blackmagic RAW. Testa i vari formati per trovare quello più adatto al tuo workflow.

Blackmagic RAW è ideale per i formati che utilizzano l'intera superficie del sensore e in modalità finestra del sensore, mentre per i formati ridimensionati è necessario selezionare ProRes.

Per maggiori informazioni sui formati ridimensionati e di finestra del sensore, consulta la sezione "Frame rate compatibili" del manuale.

Blackmagic RAW

Pocket Cinema Camera supporta il nuovo formato Blackmagic RAW. Questo formato offre una qualità dell'immagine superiore, un'ampia gamma dinamica, e una vasta selezione di rapporti di compressione. Oltre ad avere gli stessi vantaggi della registrazione RAW, Blackmagic RAW genera file velocissimi perché gran parte dell'elaborazione viene eseguita nella camera stessa, dove subisce l'accelerazione hardware. Ciò significa che i file vengono riprodotti a velocità normale sui computer, senza il bisogno di fare la cache o ridurre la risoluzione.

Blackmagic RAW vanta un ampio supporto per metadati per consentire al software che legge i file di capire le impostazioni della camera. Quindi se filmi in gamma Video per completare il montaggio velocemente, e se non hai tempo per la correzione colore, puoi filmare e visualizzare il file in gamma Video sul software di tua scelta. In realtà si tratta pur sempre di un file in gamma Film, ma sono i suoi metadati a suggerire al software di applicare la gamma Video.

Dunque quando arriva il momento di fare la correzione colore, nel file avrai a disposizione l'intera gamma dinamica Film. Poiché i bianchi e i neri non subiranno clipping, le immagini manterranno tutti i dettagli, consentendo di fare la correzione colore necessaria per ottenere risultati di qualità cinematografica. Se invece non c'è tempo per la correzione colore, alle immagini verrà applicata la gamma Video e appariranno come un normale video. Il vantaggio sta nella libertà di poter ritornare sulle stesse immagini e cambiarle in post produzione in qualsiasi momento.

I file Blackmagic RAW sono estremamente veloci, con un codec ottimizzato per la CPU e la GPU del computer. Oltre a consentire una riproduzione scorrevole, eliminano la necessità di usare schede decoder hardware, una caratteristica importante se utilizzi il laptop. I software che leggono Blackmagic RAW beneficiano anche dell'elaborazione mediante Apple Metal, Nvidia CUDA, e OpenCL.

Blackmagic RAW viene riprodotto a velocità normale come un file video su gran parte dei computer, senza il bisogno di fare la cache o ridurre la risoluzione.

Inoltre va sottolineato che le informazioni dell'obiettivo sono salvate nei metadati, fotogramma per fotogramma. Per esempio usando un obiettivo compatibile, qualsiasi cambiamento sullo zoom o sulla messa a fuoco viene salvato, fotogramma per fotogramma, nei metadati all'interno del file Blackmagic RAW.

Registrazione in Blackmagic RAW

Blackmagic RAW offre due opzioni di codifica: bitrate costante e qualità costante.

La codifica a bitrate costante funziona come la maggior parte dei codec, ovvero cerca di mantenere costante il trasferimento dati, evitando che diventi troppo alto. Per cui se filmi immagini complesse che richiedono più dati per essere salvate, la codifica a bitrate costante applica una maggiore compressione per far sì che le immagini rientrino nello spazio designato.

Questo metodo non crea problemi con i codec video, ma per le riprese in Blackmagic RAW è importante assicurarsi che la qualità sia prevedibile. Cosa succederebbe se le immagini richiedessero più dati ma il codec applicasse una compressione maggiore per ottenere un trasferimento dati specifico? La qualità potrebbe risentirne ma non te ne accorgesti prima di aver completato le riprese.

Per evitare questo problema, Blackmagic RAW offre una codifica alternativa chiamata qualità costante. Tecnicamente si tratta di una codifica a bitrate variabile, che consente alle dimensioni del file di aumentare se le immagini richiedono dati aggiuntivi. Quindi se vuoi codificare un'immagine mantenendo la qualità, le dimensioni del file non si fermano a una soglia limite.

Con l'opzione qualità costante, le dimensioni del file aumentano o diminuiscono in base al livello di complessità dell'immagine ripresa. Quindi lasciando il coperchio sull'obiettivo non sprecherai di certo spazio sul supporto di memoria.

Le impostazioni delle due opzioni di codifica di Blackmagic RAW riflettono la loro funzione pratica. Per esempio le impostazioni della codifica a bitrate costante sono 3:1, 5:1, 8:1, e 12:1. Questi valori rappresentano il rapporto tra le dimensioni del file RAW non compresso e le dimensioni del file previste quando si filma in Blackmagic RAW. Il 3:1 offre una qualità migliore perché il file è più grande, mentre il 12:1, essendo il file più piccolo, offre una qualità minore. Nonostante questo, molti utenti di Blackmagic RAW trovano il 12:1 perfettamente funzionale e non riscontrano alcun calo di qualità. Non ti resta che sperimentare le diverse impostazioni e scegliere quella che preferisci.

Le impostazioni della codifica a qualità costante sono Q0 e Q5. Sono i parametri di compressione comunicati al codec, ovvero indicano il grado di compressione applicato. Con questa opzione di codifica è impossibile sapere quali saranno le dimensioni del file perché dipendono fortemente dalla complessità dell'immagine girata. Il file raggiungerà le dimensioni necessarie per archiviare i contenuti.

Codifica a bitrate costante

Le opzioni 3:1, 5:1, 8:1, e 12:1 rappresentano i rapporti di compressione. Per esempio il 12:1 produce file circa 12 volte più piccoli di un file RAW non compresso.

Codifica a qualità costante

Q0 e Q5 si riferiscono ai livelli di quantizzazione. Il Q5 ha un livello di quantizzazione maggiore ma offre un trasferimento dati nettamente migliore. Come già detto, l'opzione qualità costante consente ai file di aumentare o diminuire di dimensioni in modo considerevole a seconda della complessità delle immagini. A volte però le dimensioni del file potrebbero aumentare così tanto da eccedere la capacità del supporto di memoria, risultando nella perdita di fotogrammi. Il lato positivo di questo problema è che è riconoscibile all'istante, consentendoti subito di rivedere le impostazioni di codifica.

Blackmagic RAW Player

Il player di Blackmagic RAW incluso nell'installer della camera è un'applicazione semplice per rivedere le clip. Basta fare doppio clic sul file Blackmagic RAW per riprodurlo all'istante ad alta risoluzione e con la sua profondità di bit.

Riguardo la decodifica dei fotogrammi, l'accelerazione CPU nella libreria SDK supporta le principali architetture, così come l'accelerazione GPU mediante Apple Metal, Nvidia CUDA, e OpenCL. Funziona anche con Blackmagic eGPU per prestazioni ancora maggiori. È compatibile con Mac, Windows, e Linux.

File sidecar

I file sidecar di Blackmagic RAW prendono momentaneamente la precedenza sui metadati integrati nel file originale, ma senza sovrascriverli. Questi metadati includono le impostazioni RAW e altre informazioni tra cui diaframma, messa a fuoco, lunghezza focale, bilanciamento del bianco, tinta, spazio colore, nome del progetto, e numero di ciak. I metadati vengono codificati fotogramma per fotogramma nell'arco della durata dell'intera clip, una caratteristica molto importante soprattutto se l'obiettivo viene regolato durante le riprese. I metadati nei file sidecar si possono aggiungere o modificare su DaVinci Resolve, o persino su un editor di testo perché sono leggibili dall'occhio umano.

I file sidecar sono utili per aggiungere automaticamente nuove impostazioni RAW durante la riproduzione. Per farlo basta spostare il file sidecar nella cartella del file RAW corrispondente. Spostando il file sidecar fuori dalla cartella e riaprendo il file Blackmagic RAW, le impostazioni RAW non vengono applicate e l'immagine viene visualizzata con il suo look originale. Tutti i software che sfruttano l'SDK di Blackmagic RAW hanno accesso a queste impostazioni. Pertanto i cambiamenti effettuati si salvano nel file sidecar, e vengono riprodotti dal player di Blackmagic RAW o da qualsiasi altro software in grado di leggere i file Blackmagic RAW.

Se riprendi in gamma Video, il file rimane in gamma Film, ma i metadati suggeriscono al software di visualizzarlo in gamma Video. La gamma Video è ottima se vuoi aggirare la correzione colore e consegnare i contenuti in poco tempo, ma se decidi di ritoccare i neri o i bianchi, potrai farlo in qualsiasi momento e senza preoccuparti di perdere i dettagli.

Blackmagic RAW su DaVinci Resolve

Nella sezione RAW di DaVinci Resolve puoi modificare le impostazioni di ogni file Blackmagic RAW e salvarle in un nuovo file sidecar per ottenere effetti creativi o una visualizzazione ottimizzata. Ciò significa che un altro utente DaVinci Resolve potrà importare gli stessi file e accedere subito alle impostazioni modificate. Oltre ai metadati contenuti nei file della camera, DaVinci Resolve rileva la gamma dinamica selezionata per mostrare automaticamente le clip in modalità Film, Extended Video, o Video.

Le impostazioni di saturazione, contrasto, e mezzitoni, così come lo stacco di luci e ombre, sono modificabili. I cambiamenti apportati si salvano come file sidecar, e sono visualizzabili in un secondo momento da tutti gli utenti impegnati nella post produzione. Puoi ritornare ai metadati originali della camera in qualsiasi momento.

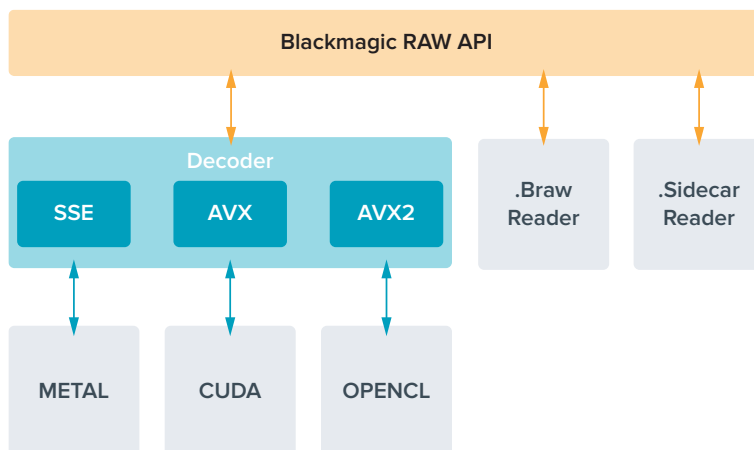
La sezione RAW di DaVinci Resolve ti permette anche di esportare un singolo fotogramma Blackmagic RAW, contenente tutte le regolazioni, i metadati, la risoluzione, e le informazioni del colore. In questo modo condividere un singolo fotogramma o un file di riferimento con gli altri utenti è molto facile.

Per tutti i dettagli sul funzionamento di Blackmagic RAW su DaVinci Resolve, consulta la sezione "DaVinci Resolve" del manuale.

Pacchetto di sviluppo Blackmagic RAW

Il pacchetto di sviluppo di Blackmagic RAW è un API sviluppato da Blackmagic Design. Questo SDK consente di scrivere applicazioni su misura per usare il formato Blackmagic RAW. Gli sviluppatori possono usare la libreria SDK per aggiungere il supporto per la lettura, la modifica, e il salvataggio dei file Blackmagic RAW. L'SDK di Blackmagic RAW include la scienza del colore di quarta generazione, che permette di ottenere immagini cinematografiche su qualsiasi applicazione lo supporti. Funziona su Mac, Windows, e Linux, ed è disponibile per il download gratuito alla pagina Sviluppatori www.blackmagicdesign.com/it/developer sul nostro sito.

Il diagramma qui sotto illustra i componenti dell'API di Blackmagic RAW.



Frame rate compatibili

Frame rate compatibili - Pocket Cinema Camera 6K

	Risoluzione	Codec	Modalità sensore	Frame rate max
6K	6144 x 3456	Blackmagic RAW	Intero	50
6K 2.4:1	6144 x 2560	Blackmagic RAW	Finestra	60
5.7K 17:9	5744 x 3024	Blackmagic RAW	Finestra	60
4K DCI	4096 x 2160	ProRes 422 HQ	Ridimensionato dal 5.7K	60
	4096 x 2160	ProRes 422	Ridimensionato dal 5.7K	60
	4096 x 2160	ProRes 422 LT	Ridimensionato dal 5.7K	60
	4096 x 2160	ProRes 422 Proxy	Ridimensionato dal 5.7K	60
Ultra HD	3840 x 2160	ProRes 422 HQ	Ridimensionato dal sensore intero	50
	3840 x 2160	ProRes 422	Ridimensionato dal sensore intero	50
	3840 x 2160	ProRes 422 LT	Ridimensionato dal sensore intero	50
	3840 x 2160	ProRes 422 Proxy	Ridimensionato dal sensore intero	50
	3840 x 2160	ProRes 422 HQ	Ridimensionato dal 5.7K	60
	3840 x 2160	ProRes 422	Ridimensionato dal 5.7K	60
	3840 x 2160	ProRes 422 LT	Ridimensionato dal 5.7K	60
	3840 x 2160	ProRes 422 Proxy	Ridimensionato dal 5.7K	60
3.7K anamorfico	3728 x 3104	Blackmagic RAW	Finestra	60
2.8K 17:9	2868 x 1512	Blackmagic RAW	Finestra	120

	Risoluzione	Codec	Modalità sensore	Frame rate max
HD	1920 x 1080	ProRes 422 HQ	Ridimensionato dal sensore intero	50
	1920 x 1080	ProRes 422	Ridimensionato dal sensore intero	50
	1920 x 1080	ProRes 422 LT	Ridimensionato dal sensore intero	50
	1920 x 1080	ProRes 422 Proxy	Ridimensionato dal sensore intero	50
	1920 x 1080	ProRes 422 HQ	Ridimensionato dal 5.7K	60
	1920 x 1080	ProRes 422	Ridimensionato dal 5.7K	60
	1920 x 1080	ProRes 422 LT	Ridimensionato dal 5.7K	60
	1920 x 1080	ProRes 422 Proxy	Ridimensionato dal 5.7K	60
	1920 x 1080	ProRes 422 HQ	Ridimensionato dal 2.7K	120
	1920 x 1080	ProRes 422	Ridimensionato dal 2.7K	120
	1920 x 1080	ProRes 422 LT	Ridimensionato dal 2.7K	120
	1920 x 1080	ProRes 422 Proxy	Ridimensionato dal 2.7K	120

Frame rate compatibili - Pocket Cinema Camera 4K

	Risoluzione	Codec	Modalità sensore	Frame rate max
4K DCI	4096 x 2160	Blackmagic RAW	Pieno	60
	4096 x 2160	ProRes 422 HQ	Pieno	60
	4096 x 2160	ProRes 422	Pieno	60
	4096 x 2160	ProRes 422 LT	Pieno	60
	4096 x 2160	ProRes 422 Proxy	Pieno	60
4K 2.4:1	4096 x 1712	Blackmagic RAW	Finestra	75
Ultra HD	3840 x 2160	Blackmagic RAW	Finestra	60
	3840 x 2160	ProRes 422 HQ	Finestra	60
	3840 x 2160	ProRes 422	Finestra	60
	3840 x 2160	ProRes 422 LT	Finestra	60
	3840 x 2160	ProRes 422 Proxy	Finestra	60
2.8K anamorfico	2880 x 2160	Blackmagic RAW	Finestra	80
2.6K 16:9	2688 x 1512	Blackmagic RAW	Finestra	120
HD	1920 x 1080	ProRes 422 HQ	Ridimensionato dal sensore pieno	60
	1920 x 1080	ProRes 422	Ridimensionato dal sensore pieno	60
	1920 x 1080	ProRes 422 LT	Ridimensionato dal sensore pieno	60
	1920 x 1080	ProRes 422 Proxy	Ridimensionato dal sensore pieno	60
	1920 x 1080	ProRes 422 HQ	Ridimensionato dal 2.6K	120
	1920 x 1080	ProRes 422	Ridimensionato dal 2.6K	120
	1920 x 1080	ProRes 422 LT	Ridimensionato dal 2.6K	120
	1920 x 1080	ProRes 422 Proxy	Ridimensionato dal 2.6K	120
	1920 x 1080	Blackmagic RAW	Finestra	120
	1920 x 1080	ProRes 422 HQ	Finestra	120
	1920 x 1080	ProRes 422	Finestra	120
	1920 x 1080	ProRes 422 LT	Finestra	120
	1920 x 1080	ProRes 422 Proxy	Finestra	120

NOTA Il formato di ripresa 2.6K 16:9 è stato ottimizzato per l'utilizzo con le ottiche Super 16mm e i frame rate elevati.

Durata della registrazione

Le tabelle di riferimento seguenti indicano la durata della registrazione in minuti e secondi in base al formato, al frame rate del progetto e alla capacità dei supporti di memoria. Le risoluzioni e i codec disponibili sono differenti per Pocket Cinema Camera 6K e Pocket Cinema Camera 4K.

La durata massima di registrazione sul supporto di memoria varia secondo la capacità delle schede CFast, SD, o dell'unità flash USB C, e in base al formato di registrazione e al frame rate selezionati. Per esempio la velocità di archiviazione per Apple ProRes 422 HQ 3840 x 2160 è di circa 880 Mbps. A 24 fps, si possono registrare circa 47 minuti di video sulle schede CFast 2.0 da 256GB, oppure 23 minuti di video sulle CFast da 128GB, circa la metà della durata.

La durata della registrazione può variare leggermente secondo i produttori dei supporti di memoria, o in base alla formattazione delle schede (exFAT o Mac OS X Extended).

Le scene contenenti meno dettagli richiedono meno spazio delle composizioni complesse. I valori riportati nella tabella qui sotto si riferiscono a un'ipotetica scena altamente complessa, per cui la durata di registrazione per scene più semplici sarà più lunga.

6K					
Scheda CFast	Frame rate	Blackmagic RAW 3:1	Blackmagic RAW 5:1	Blackmagic RAW 8:1	Blackmagic RAW 12:1
256GB		Durata	Durata	Durata	Durata
	23.98	17 min	28 min	45 min	67 min
	24	17 min	28 min	45 min	67 min
	25	16 min	27 min	43 min	64 min
	30	13 min	22 min	36 min	54 min
	50	8 min	13 min	21 min	32 min

6K 2.4:1					
Scheda CFast	Frame rate	Blackmagic RAW 3:1	Blackmagic RAW 5:1	Blackmagic RAW 8:1	Blackmagic RAW 12:1
256GB		Durata	Durata	Durata	Durata
	23.98	23 min	38 min	60 min	91 min
	24	22 min	38 min	60 min	91 min
	25	21 min	36 min	58 min	87 min
	30	18 min	30 min	48 min	72 min
	50	11 min	18 min	29 min	43 min
60	9 min	15 min	24 min	36 min	

5.7K 17:9					
Scheda CFast	Frame rate	Blackmagic RAW 3:1	Blackmagic RAW 5:1	Blackmagic RAW 8:1	Blackmagic RAW 12:1
256GB		Durata	Durata	Durata	Durata
	23.98	20 min	34 min	55 min	82 min
	24	20 min	34 min	55 min	82 min
	25	19 min	33 min	52 min	79 min
	30	16 min	27 min	44 min	66 min
	50	10 min	16 min	26 min	39 min
	60	8 min	13 min	22 min	33 min

4K DCI									
Scheda CFast	Frame rate	Blackmagic RAW 3:1	Blackmagic RAW 5:1	Blackmagic RAW 8:1	Blackmagic RAW 12:1	ProRes 422 HQ	ProRes 422	ProRes 422 LT	ProRes 422 Proxy
256GB		Durata	Durata	Durata	Durata	Durata	Durata	Durata	Durata
	23.98	39 min	65 min	104 min	155 min	44 min	66 min	95 min	216 min
	24	39 min	65 min	103 min	155 min	44 min	66 min	95 min	216 min
	25	37 min	62 min	99 min	149 min	42 min	64 min	91 min	207 min
	30	31 min	52 min	83 min	124 min	35 min	53 min	76 min	173 min
	50	18 min	31 min	49 min	74 min	21 min	32 min	45 min	104 min
	60	15 min	26 min	41 min	62 min	17 min	26 min	38 min	87 min

4K 2.4:1					
Scheda CFast	Frame rate	Blackmagic RAW 3:1	Blackmagic RAW 5:1	Blackmagic RAW 8:1	Blackmagic RAW 12:1
256GB		Durata	Durata	Durata	Durata
	23.98	50 min	84 min	134 min	201 min
	24	50 min	84 min	134 min	201 min
	25	48 min	81 min	129 min	193 min
	30	40 min	67 min	108 min	161 min
	50	24 min	40 min	65 min	97 min
	60	20 min	33 min	54 min	81 min
	80	16 min	27 min	43 min	65 min

Ultra HD									
Scheda CFast	Frame rate	Blackmagic RAW 3:1	Blackmagic RAW 5:1	Blackmagic RAW 8:1	Blackmagic RAW 12:1	ProRes 422 HQ	ProRes 422	ProRes 422 LT	ProRes 422 Proxy
256GB		Durata	Durata	Durata	Durata	Durata	Durata	Durata	Durata
	23.98	41 min	68 min	110 min	164 min	47 min	71 min	101 min	230 min
	24	41 min	68 min	109 min	164 min	47 min	71 min	101 min	230 min
	25	39 min	66 min	105 min	157 min	45 min	68 min	97 min	221 min
	30	33 min	55 min	88 min	131 min	38 min	57 min	81 min	184 min
	50	19 min	33 min	52 min	79 min	22 min	34 min	48 min	111 min
	60	16 min	27 min	44 min	66 min	18 min	28 min	40 min	92 min

3.7K anamorfico					
Scheda CFast	Frame rate	Blackmagic RAW 3:1	Blackmagic RAW 5:1	Blackmagic RAW 8:1	Blackmagic RAW 12:1
256GB		Durata	Durata	Durata	Durata
	23.98	31 min	51 min	82 min	123 min
	24	31 min	51 min	82 min	123 min
	25	29 min	49 min	79 min	118 min
	30	24 min	41 min	65 min	98 min
	50	15 min	24 min	39 min	59 min
	60	12 min	20 min	33 min	49 min

2.8K anamorfico					
Scheda CFast	Frame rate	Blackmagic RAW 3:1	Blackmagic RAW 5:1	Blackmagic RAW 8:1	Blackmagic RAW 12:1
256GB		Durata	Durata	Durata	Durata
	23.98	57 min	95 min	151 min	226 min
	24	57 min	95 min	151 min	226 min
	25	54 min	91 min	145 min	217 min
	30	45 min	76 min	121 min	181 min
	50	27 min	45 min	73 min	109 min
	60	22 min	38 min	61 min	91 min
	80	17 min	28 min	45 min	68 min

2.8K 17:9					
Scheda CFast	Frame rate	Blackmagic RAW 3:1	Blackmagic RAW 5:1	Blackmagic RAW 8:1	Blackmagic RAW 12:1
256GB		Durata	Durata	Durata	Durata
	23.98	81 min	136 min	216 min	321 min
	24	81 min	135 min	215 min	320 min
	25	78 min	130 min	207 min	308 min
	30	65 min	108 min	173 min	258 min
	50	39 min	65 min	104 min	156 min
	60	32 min	54 min	87 min	130 min
	120	16 min	27 min	43 min	65 min

2.6K 16:9					
Scheda CFast	Frame rate	Blackmagic RAW 3:1	Blackmagic RAW 5:1	Blackmagic RAW 8:1	Blackmagic RAW 12:1
256GB		Durata	Durata	Durata	Durata
	23.98	87 min	144 min	230 min	342 min
	24	87 min	144 min	229 min	342 min
	25	83 min	138 min	220 min	328 min
	30	69 min	115 min	184 min	275 min
	50	41 min	69 min	111 min	166 min
	60	34 min	58 min	92 min	138 min
	120	17 min	29 min	46 min	69 min

HD									
Scheda CFast	Frame rate	Blackmagic RAW 3:1	Blackmagic RAW 5:1	Blackmagic RAW 8:1	Blackmagic RAW 12:1	ProRes 422 HQ	ProRes 422	ProRes 422 LT	ProRes 422 Proxy
256GB		Durata	Durata	Durata	Durata	Durata	Durata	Durata	Durata
	23.98	159 min	264 min	418 min	619 min	189 min	283 min	403 min	877 min
	24	159 min	264 min	418 min	618 min	189 min	283 min	403 min	877 min
	25	153 min	253 min	402 min	595 min	182 min	271 min	387 min	843 min
	30	127 min	212 min	336 min	499 min	152 min	227 min	324 min	710 min
	50	76 min	127 min	203 min	303 min	91 min	137 min	196 min	434 min
	60	64 min	106 min	170 min	254 min	76 min	114 min	163 min	363 min
	120	32 min	54 min	87 min	130 min	38 min	57 min	82 min	185 min

NOTA Blackmagic RAW è disponibile per i formati che utilizzano la modalità sensore pieno o finestra. Per tutti i formati ridimensionati, seleziona ProRes.

I formati 6K, 6K 2.4:1, 5.7K 17:9, 3.7K anamorfico e 2.8K 17:9 sono disponibili esclusivamente su Pocket Cinema Camera 6K, e utilizzano il codec Blackmagic RAW. Il modello 6K utilizza ProRes per i formati 4K DCI, Ultra HD e HD.

I formati 4K 2.4:1, 2.8K anamorfico e 2.6K 17:9 sono disponibili esclusivamente su Pocket Cinema Camera 4K, e utilizzano il codec Blackmagic RAW. Il modello 4K utilizza Blackmagic RAW o ProRes per i formati 4K DCI, Ultra HD e HD.

Le impostazioni Q0 e Q5 della codifica a qualità costante mostreranno tempi di registrazione residua variabili. La durata stimata per l'impostazione Q0 è simile a quella dell'impostazione a bitrate costante 3:1, mentre l'impostazione Q5 ne ha una simile al 12:1, ma si aggiorna ogni 10 secondi durante la registrazione. Il modo migliore per valutare il tempo di registrazione residua è registrare per 20 secondi e notare la durata visualizzata sul touchscreen.

Scegliere il frame rate corretto

La camera può registrare con vari frame rate, ed è importante sapere quale utilizzare.

Solitamente nello scegliere il frame rate del sensore, negli anni si sono presi in considerazione gli standard per il cinema e la televisione. Questi standard variano secondo i paesi, ma hanno in comune lo stesso obiettivo: la visualizzazione di un numero di fotogrammi al secondo che mostri il movimento con un'estetica gradevole e convincente.

Per esempio, lo standard per il cinema è 24 fps, e nonostante alcuni esperimenti recenti con frame rate superiori, il 24 fps rimane il frame rate più utilizzato a livello globale.

Lo standard televisivo è dettato da quello della trasmissione broadcast di ogni paese. Per esempio, per la distribuzione televisiva nel Nord America i contenuti si girano con un frame rate di 29.97, mentre per l'Europa con 25 fps.

Nuovi passi avanti nella tecnologia hanno reso disponibili più opzioni e standard broadcast più flessibili. Per esempio, è normale registrare e trasmettere gli eventi sportivi a frame rate più elevati, fino a 59.94 fps nel Nord America, e fino a 50 fps in Europa. Questi frame rate elevati infatti catturano l'azione e i movimenti in modo più naturale.

In quanto alla trasmissione in streaming e sul web, generalmente si selezionano i frame rate televisivi, ma c'è più flessibilità per adeguarsi ai formati di visualizzazione accessibili al pubblico secondo lo schermo a loro disposizione.

Solitamente si sceglie il frame rate del progetto secondo il formato di consegna finale, e si mantiene lo stesso frame rate per il sensore. In questo modo le clip verranno riprodotte alla stessa velocità degli eventi così come sono realmente avvenuti.

Se invece preferisci creare l'effetto a rallentatore, imposta il frame rate del sensore su un valore più alto. Più alto è il frame rate del sensore rispetto a quello del progetto, più rallentate appariranno le immagini.

Per maggiori informazioni su come utilizzare il frame rate del sensore creativamente, consulta la sezione "Controlli touch" del manuale.

REC automatico

Pocket Cinema Camera invia automaticamente un segnale tramite l'uscita HDMI, innescando la registrazione sui dispositivi connessi che supportano questa funzione, per esempio Blackmagic Video Assist.

Dunque premendo REC sulla camera, il registratore esterno connesso avvia o interrompe la registrazione in base ai comandi impartiti dalla camera. Inoltre la camera trasmette il timecode tramite HDMI, per cui le clip catturate sul registratore esterno hanno lo stesso timecode di quelle registrate dalla camera.

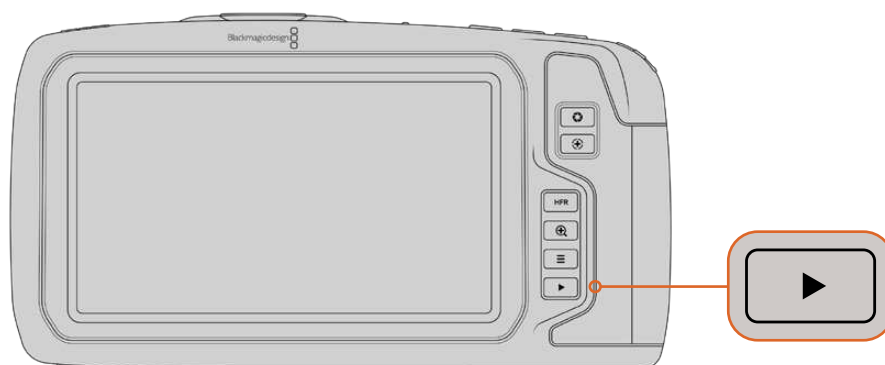
Se il registratore esterno supporta il REC automatico, è necessario abilitarlo dal menù impostazioni.

Riproduzione

Riprodurre le clip

Per rivedere sullo schermo LCD il video registrato, usa i tasti di trasporto. Premi il pulsante Play per riprodurre la clip. Premilo di nuovo per riprodurre l'ultima clip registrata sullo schermo LCD, o sul monitor (se connesso all'uscita HDMI). Tieni premuto il pulsante Avanti o Indietro sullo schermo LCD per andare avanti o indietro veloce all'interno della clip. La riproduzione termina alla fine della clip.

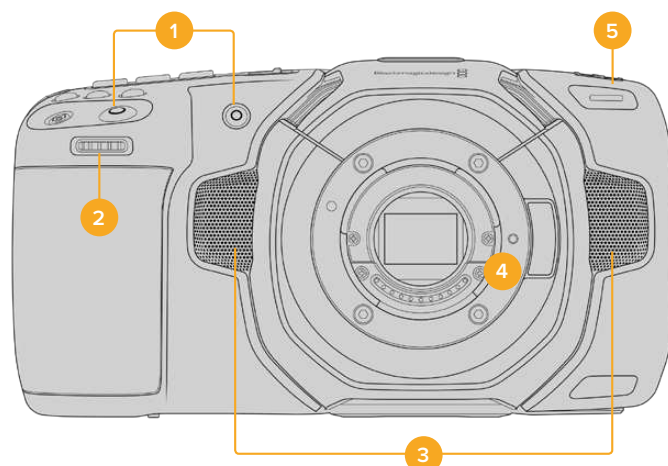
Premi i pulsanti Avanti e Indietro per andare all'inizio o alla fine delle clip. Premi il pulsante Indietro una volta per tornare all'inizio della clip corrente, premilo due volte per passare all'inizio della clip precedente. Premi il pulsante REC per uscire dalla modalità riproduzione e tornare alle immagini della camera sul touchscreen.



Per visionare le clip girate sul touchscreen della camera, premi Play dalla sezione dei tasti di controllo

Caratteristiche della camera

Lato anteriore



1 REC

Premi quello a te più comodo per avviare/interrompere la registrazione. Il pulsante REC sul lato anteriore della camera consente di avviare e interrompere la registrazione facilmente quando si punta la camera su se stessi.

2 Rotella contestuale

Utilizza questa rotella per regolare l'apertura degli obiettivi compatibili montati sulla camera. Con il touchscreen rivolto verso di te, ruota la rotella verso sinistra per aprire il diaframma, verso destra per chiuderlo. Regola il bilanciamento del bianco, l'angolo dell'otturatore e l'ISO, premendo il pulsante corrispondente sulla parte superiore della camera, e poi ruotando la rotella. Una volta regolato il parametro, premi la rotella per uscire dalla selezione.

3 Microfoni stereo

La camera offre quattro microfoni stereo integrati di alta qualità. Consulta la sezione "Impostazioni audio" per maggiori informazioni su come impostare l'audio dei microfoni.

4 Attacco obiettivo

Pocket Cinema Camera 6K vanta un attacco obiettivo EF, e il modello 4K un attacco obiettivo micro 4/3. Entrambi sono attivi e compatibili con le ottiche con stabilizzazione dell'immagine, e con quelle che supportano la messa a fuoco e la regolazione dell'esposizione automatiche. Per utilizzare la funzione di stabilizzazione dell'immagine presente su numerose ottiche attive, sposta l'interruttore *IS* su *On*. Se l'obiettivo ha un interruttore per selezionare la modalità di stabilizzazione (per immagini fisse o in movimento), scegli quella più adatta. Se l'obiettivo non ha un interruttore di stabilizzazione, puoi abilitare e disabilitare la funzione **Stabilizzazione immagine** dalla tab **Setup** della camera.

5 Spia tally / Registrazione in corso

Una piccola spia LED si illumina di rosso quando la registrazione è in corso. Abilita o disabilita questa funzione di tally, e regola la luminosità della spia dalla tab **Setup**. Consulta la sezione "Impostazioni generali" per maggiori informazioni.

Lato destro



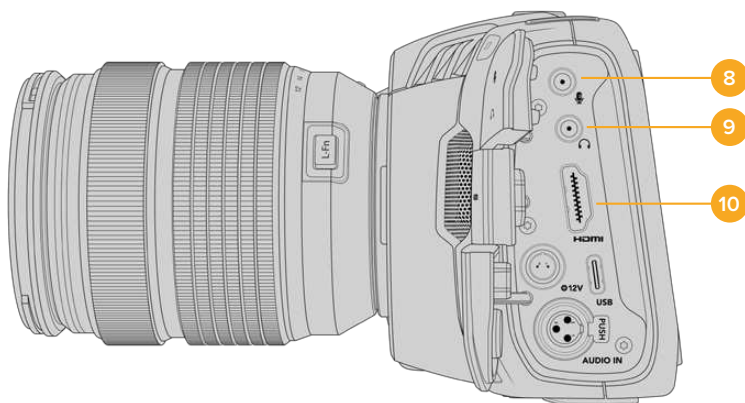
6 Slot per scheda CFast

Inserisci le schede CFast 2.0 per registrare e riprodurre le clip. Consulta la sezione "Schede CFast" per maggiori informazioni.

7 Slot per scheda SD

Inserisci le schede SD per registrare e riprodurre le clip. Consulta la sezione "Schede SD" per maggiori informazioni.

Lato sinistro



8 Ingresso mic 3,5 mm

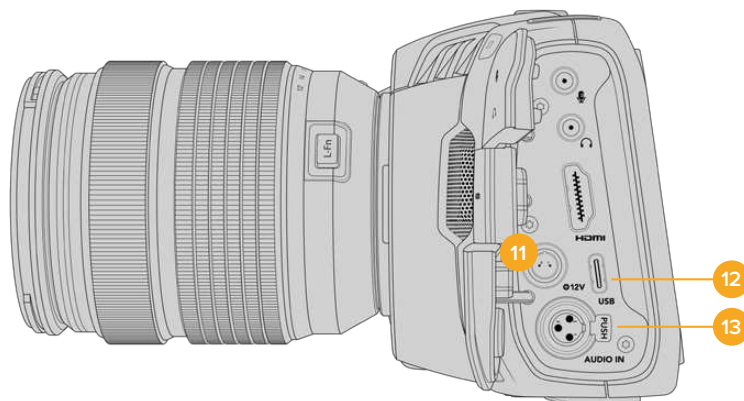
Connetti un microfono all'ingresso mic stereo 3,5 mm. È compatibile con segnali di livello microfonico e di linea. L'audio del segnale a livello microfonico è più basso di quello di linea, per cui se è connesso un microfono ma hai selezionato l'opzione di linea, il suono risulterà troppo basso. L'ingresso per microfono rileva automaticamente il timecode LCT di standard SMPTE in entrata da una fonte esterna sul canale sinistro, e lo integra nel file video registrandolo tra i metadati. Consigliamo di inviare il timecode LTC come segnale di livello di linea, in particolare se non si sta registrando il timecode come traccia audio.

9 Ingresso cuffie

Ascolta l'audio delle clip durante la registrazione e la riproduzione, connettendo le cuffie al jack stereo 3,5 mm. Quando sono connesse le cuffie, lo speaker non riproduce l'audio.

10 Uscita HDMI

La porta HDMI standard è compatibile con il video HD 1080p 4:2:2 a 10 bit con il supporto per l'HDR e due canali di audio integrato. Usa il touchscreen per selezionare il clean feed, o per includere gli overlay nelle immagini in uscita.



11 Ingresso di alimentazione

Lo spinotto DC alimenta la camera e allo stesso tempo fornisce carica alla batteria. Ruota lo spinotto DC per allinearlo con l'incavo sulla parte superiore dell'ingresso, poi inseriscilo fino a sentire un clic. Per disconnetterlo, ritrai leggermente la guaina metallica e rimuovi lo spinotto dall'ingresso.

Alimentazione su misura

Alcuni utenti preferiscono creare la propria soluzione di alimentazione. In questo caso, quando si utilizza una batteria non ufficiale, è necessario fare attenzione a non eccedere il voltaggio massimo per evitare di danneggiare permanentemente la camera. I requisiti di tensione per Pocket Cinema Camera sono i seguenti:

- Ingresso batteria: tensione massima 6,2-10V.
- Ingresso DC: tensione massima 10,8-20V.
- Camera in standby non in carica: alimentazione 16W.
- Camera in carica: alimentazione 30W con le batterie LP-E6.
- Camera alimentata con una soluzione su misura: consigliamo di rimuovere le batterie LP-E6.
- Registrazione su un supporto di memoria con obiettivo attivo, schermo con la massima illuminazione, spia di tally accesa, frame rate elevati, e batteria non in carica: Pocket Cinema Camera 6K necessita un'alimentazione pari a 25W e Pocket Cinema Camera 4K pari a 22W.

12 USB

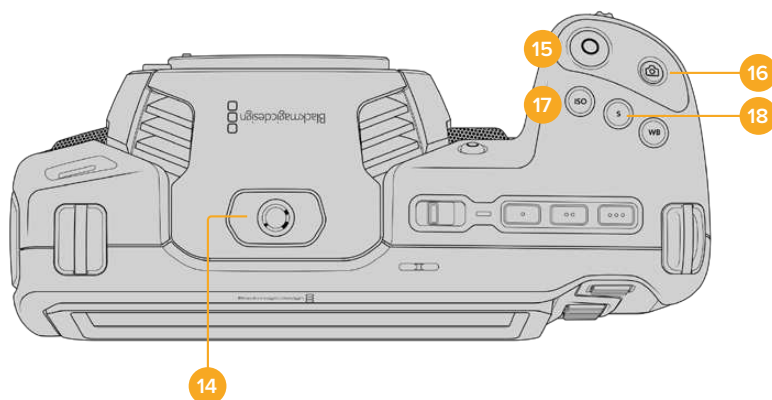
La porta USB C consente di registrare direttamente su una unità flash USB C. A camera spenta, puoi caricare la batteria collegando la porta USB C a un pacco batteria esterno. Questa porta serve anche per collegare la camera a un computer e aggiornare il software interno con l'applicazione di update.

13 Ingresso microfono XLR mini

Connetti l'audio esterno analogico bilanciato. Basta un cavo adattatore da XLR a XLR mini per connettere un microfono XLR standard.

L'ingresso XLR mini offre alimentazione phantom ai microfoni professionali che non dispongono di alimentazione interna. Per maggiori informazioni su come abilitare l'alimentazione phantom, consulta la sezione "Impostazioni audio".

Lato superiore



14 Foro filettato 1/4"-20

Sfrutta questo foro per montare un microfono esterno o altri accessori.

NOTA Il foro di montaggio 1/4" di Pocket Cinema Camera è utilizzabile solo con accessori leggeri, per esempio piccoli microfoni. Non usarlo per aggiungere una maniglia con obiettivi pesanti. Questa operazione potrebbe danneggiare il foro, e non è coperta dalla garanzia. Non montare accessori pesanti su un braccio di prolunga che fa leva sul foro. Consigliamo di utilizzare una gabbia progettata per Pocket Cinema Camera che si ancora a entrambi i fori filettati 1/4" (alla base e sulla parte superiore della camera) contemporaneamente.

15 REC

Premi il tasto REC per iniziare a registrare. Premilo di nuovo per terminare la registrazione.

16 Scatto

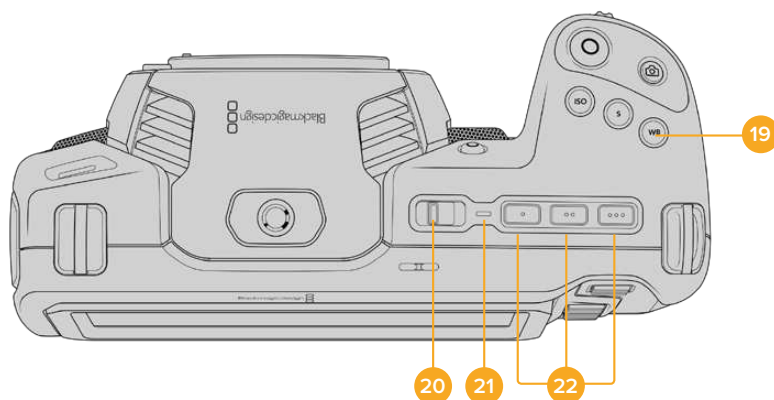
Cattura una foto come fotogramma singolo DNG non compresso. L'icona di una fotocamera appare brevemente in alto a destra del touchscreen, confermando che la foto è stata salvata. L'immagine si salva automaticamente nella cartella **Stills** della scheda su cui si registra, con la stessa convenzione di denominazione dei file video, seguita dal suffisso di 4 caratteri *S001* a rappresentare il numero del fotogramma scattato.

17 ISO

Premi il pulsante **ISO**, poi ruota la rotella contestuale per regolarlo. Puoi impostarlo in incrementi di 1/3 di stop, tra i valori 100 e 25600.

18 Otturatore

Per cambiare l'angolo o la velocità dello shutter, premi il pulsante **S**, e ruota la rotella contestuale. Il touchscreen suggerisce fino a tre opzioni di valori per evitare lo sfarfallio.



19 Bilanciamento del bianco

Premi il pulsante **WB**, poi ruota la rotella contestuale per regolarlo. Tieni premuto il pulsante **WB** per 3 secondi per abilitare il bilanciamento del bianco automatico. Apparirà una finestra bianca al centro dell'immagine, che puoi utilizzare per ottenere il bilanciamento del bianco automatico. Consulta la sezione "Controlli touch" per maggiori informazioni.

20 Interruttore On / Off

Sposta l'interruttore verso destra per accendere la camera, verso sinistra per spegnerla.

21 LED di stato

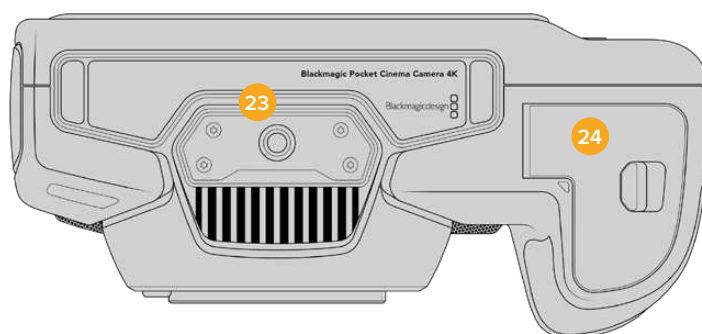
Quando la camera è spenta e collegata all'alimentazione esterna tramite lo spinotto DC 12V o la porta USB C, la spia si illumina di rosso per indicare che la batteria è sotto carica.

La spia LED si spegne automaticamente quando la carica è completa.

22 Pulsanti funzione

Programma questi pulsanti con le funzioni più utilizzate dalla tab **Setup** del touchscreen. Di default, il primo pulsante è impostato sui falsi colori, il secondo sulle LUT, e il terzo sulle guide di inquadratura.

Base



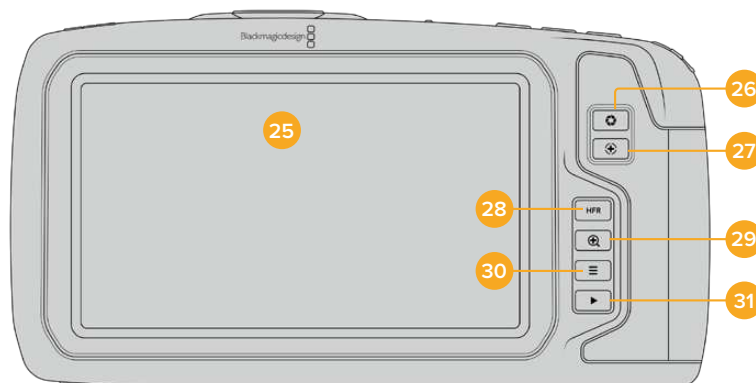
23 Foro filettato 1/4"-20

Sfrutta questo foro per montare la camera su un treppiede.

24 Sportello batteria

Sposta la levetta verso l'obiettivo per aprire lo sportello. Per chiuderlo, semplicemente premi lo sportello fino a sentire un clic.

Retro



25 Touchscreen

Lo schermo touch, o touchscreen, è utile per monitorare le immagini durante riprese e per riprodurle. Tocca e passa il dito sullo schermo per regolare le impostazioni e gestire la camera.

26 Diaframma

Premi questo pulsante per ottenere l'esposizione media automatica in base alle luci e alle ombre dell'immagine. Puoi regolare l'apertura dell'obiettivo manualmente ruotando la rotella contestuale verso destra o verso sinistra, oppure toccando Iris sul touchscreen e spostando lo slider.

27 Messa a fuoco

Se utilizzi obiettivi con messa a fuoco automatica, premi questo pulsante per attivare l'autofocus. Di default l'obiettivo mette a fuoco il centro dell'immagine, oppure basta toccare il touchscreen sull'area da focalizzare. Premi due volte il pulsante per resettare la messa a fuoco al centro dello schermo.

NOTA Alcuni obiettivi supportano la messa a fuoco automatica mentre altri consentono di scegliere tra la modalità manuale e automatica. Assicurati che il tuo obiettivo sia impostato sulla modalità automatica.

28 HFR

Con questo pulsante (alto frame rate) alterni il frame rate variabile. Imposta il frame rate variabile desiderato nel menù **Frame rate** della camera. Dopodiché puoi premere HFR per alternare frame rate variabile e frame rate del progetto, ma ricordati che questa operazione non è effettuabile durante la registrazione.

Per maggiori informazioni sul frame rate variabile e del progetto, consulta la sezione "Controlli touch".

29 Focus zoom

Premi questo pulsante per zoomare e regolare la messa a fuoco in scala 1:1 pixel. Una volta ingrandita un'area, puoi usare due dita per regolare il livello di zoom. Consulta la sezione "Zoom con due dita" per maggiori informazioni. Una volta ingrandita un'area, puoi muovere le dita sullo schermo e spostarti su altre aree dell'immagine. Premi di nuovo il pulsante di messa a fuoco per zoomare indietro.

30 Menù

Premi il tasto **Menu** per aprire la dashboard.

31 Play

Premi questo pulsante per riprodurre la clip. Premilo di nuovo per riprodurre l'ultima clip registrata sullo schermo LCD, o sul monitor (se connesso all'uscita HDMI).

Controlli touch

Funzioni touch

Lo schermo LCD touch offre un'interfaccia progettata per operazioni veloci e intuitive. Tocca e sposta il dito sul touchscreen per accedere in un attimo alle funzioni della camera mentre riprendi.



Accedi ai parametri più utilizzati direttamente dal touchscreen della camera

Opzioni di monitoraggio

Tocca l'icona del monitor in alto a sinistra dello schermo LCD touch per accedere alle funzioni di monitoraggio. Usa i controlli per gestire le opzioni zebra, aiuto messa a fuoco, guide di inquadratura e griglie. I vari controlli appaiono come tab in basso allo schermo.



Tocca l'icona del monitor in alto a sinistra del touchscreen per accedere alle opzioni di monitoraggio

Zebra

Abilita o disabilita la funzione zebra sul touchscreen, e regolane i livelli per l'uscita HDMI.

Questa funzione consiste in righe diagonali che coprono determinate zone dell'immagine. Per esempio, impostando la funzione zebra su 100%, le righe appaiono sulle aree completamente sovraesposte. È utile per ottenere l'esposizione ottimale in condizioni di luce stabili.



Tocca la prima tab con l'icona a righe per regolare la funzione zebra

L'interruttore in basso a sinistra del touchscreen abilita e disabilita la funzione zebra.

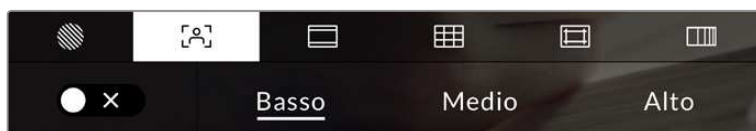
Imposta il livello di questa funzione toccando le frecce a lato della percentuale, o spostando lo slider. Il livello si imposta in incrementi del 5% tra le percentuali di 75% e 100%.

Per maggiori informazioni su come abilitare la funzione zebra sull'uscita HDMI della camera, consulta la sezione "Impostazioni di monitoraggio".

SUGGERIMENTO Impostare un valore di zebra inferiore al 100% è utile per individuare le zone sovraesposte in condizioni di luce variabile, per esempio in esterno.

Focus Assist

La seconda icona serve per gestire i livelli di aiuto messa a fuoco sul touchscreen, e sull'uscita HDMI di Pocket Cinema Camera.



Accedi alla funzione aiuto messa a fuoco toccando l'icona del monitor, poi la seconda tab

L'interruttore in basso a sinistra dello schermo LCD touch abilita e disabilita la funzione focus assist.

Seleziona il livello di aiuto messa a fuoco sull'uscita HDMI della camera toccando una delle opzioni **Basso / Medio / Alto**.

Il livello ottimale di focus assist dipende dalle riprese. Per esempio, un livello alto è utile nei primi piani, per catturare i dettagli dei visi. Invece se si inquadrano il fogliame o un muro di mattoni, un livello alto potrebbe sovraffollare l'immagine.

Per maggiori informazioni su come abilitare la funzione di aiuto messa a fuoco sull'uscita HDMI della camera, consulta la sezione "Impostazioni di monitoraggio".

SUGGERIMENTO Pocket Cinema Camera offre due modalità di aiuto messa a fuoco: Peaking e Linee colorate, selezionabili nella tab Monitor. Consulta la sezione "Impostazioni di monitoraggio" per maggiori informazioni.

Guide

La terza icona abilita le guide di inquadratura sullo schermo touch LCD, e offre opzioni per l'uscita HDMI.

Le guide d'inquadratura includono i rapporti d'aspetto per il cinema, la televisione, e i contenuti online.



Tocca la terza tab per regolare le guide di inquadratura

L'interruttore in basso a sinistra dello schermo LCD touch abilita e disabilita le guide di inquadratura.

Regola le guide usando lo slider, e il rapporto d'aspetto con le frecce. Puoi anche inserire un rapporto d'aspetto personalizzato toccando il valore tra le frecce.

Le guide disponibili sono:

2.35:1, 2.39:1 e 2.40:1

Mostrano il rapporto d'aspetto widescreen, compatibile con visualizzazioni cinematografiche in anamorfico o widescreen. I tre formati widescreen variano lievemente e riflettono i diversi standard cinematografici utilizzati in passato. 2.39:1 è uno degli standard più utilizzati al momento.



Lo schermo LCD touch con guide di inquadratura 2.40:1

2:1

È leggermente più largo del 16:9, ma non quanto il 2.35:1.

1.85:1

Mostra un altro comune rapporto d'aspetto per il cinema widescreen. È leggermente più largo dell'HDTV 1.78:1, ma non quanto il 2.39:1.

16:9

Mostra un rapporto d'aspetto 1.78:1, compatibile con i televisori HD 16:9 e con gli schermi dei computer. È lo standard più utilizzato per le trasmissioni in HD e per i video online. È stato adottato anche per la trasmissione in Ultra HD.

14:9

Mostra un rapporto d'aspetto utilizzato da alcune emittenti come compromesso tra i televisori 16:9 e 4:3. Le immagini 16:9 e 4:3 rimangono visibili se si ritagliano al centro del 14:9. Utilizza questa guida compositiva se il tuo progetto viene trasmesso da un'emittente TV che utilizza l'aspetto 14:9.

4:3

Mostra un rapporto d'aspetto compatibile con i televisori SD, ideale per inquadrare con adattatori anamorfici 2x.

1:1

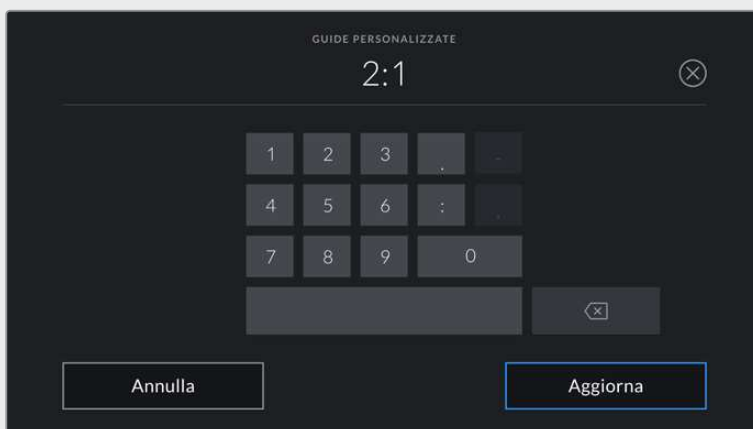
Mostra un rapporto d'aspetto leggermente più stretto del 4:3. Questo formato quadrato è molto utilizzato sui social.

4:5

Mostra un rapporto d'aspetto di formato ritratto verticale visualizzato sugli smartphone.

Guide con rapporto d'aspetto personalizzato

Per creare guide personalizzate con un rapporto d'aspetto su misura, tocca sul valore visualizzato tra le frecce. Si aprirà la pagina **Guide personalizzate**. Usa la freccia indietro per cancellare il rapporto d'aspetto attuale, e inserisci il nuovo valore con la tastiera touch. Tocca **Aggiorna** per confermare il nuovo rapporto d'aspetto e tornare alla registrazione.



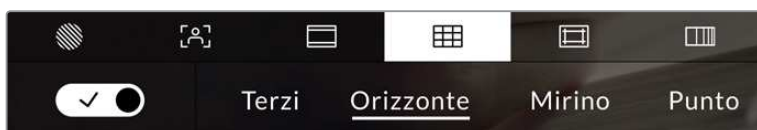
Usa la tastiera touch per inserire un rapporto d'aspetto personalizzato

SUGGERIMENTO È possibile cambiare l'opacità degli overlay delle guide di inquadratura. Consulta la sezione "Impostazioni di monitoraggio" per maggiori informazioni.

NOTA Per maggiori informazioni su come abilitare le guide di inquadratura sull'uscita HDMI della camera, consulta la sezione "Impostazioni di monitoraggio".

Griglie

Le griglie dividono lo schermo in terzi, oppure mostrano un mirino, un punto centrale o l'orizzonte sullo schermo LCD touch e sull'uscita HDMI della camera.



Tocca la quarta tab per regolare le griglie

Le griglie e i mirini sono overlay che aiutano a comporre l'immagine, e puoi scegliere tra le opzioni terzi, orizzonte, mirino, e punto centrale.

L'interruttore in basso a sinistra dello schermo LCD touch mostra o nasconde gli overlay selezionati.

Per abilitare l'overlay dei terzi, orizzonte, mirino, e punto centrale sull'uscita HDMI, seleziona l'opzione desiderata. Puoi combinare i terzi con una delle altre griglie, per esempio mirino, orizzonte, o punto centrale.



La suddivisione in terzi scala automaticamente secondo il rapporto d'aspetto

Terzi

Mostra un overlay di due linee verticali e due linee orizzontali che si intersecano sull'immagine. La suddivisione dell'immagine in terzi è essenziale per la composizione delle riprese, poiché l'occhio umano è abituato a cercare le informazioni più importanti vicino ai punti d'incrocio di queste linee. Solitamente la linea orizzontale superiore della griglia combacia con la posizione degli occhi degli attori. I terzi aiutano anche a mantenere le inquadrature costanti tra una ripresa e l'altra.

Orizzonte





Questo indicatore rileva l'inclinazione della camera verso destra o sinistra, verso l'alto o il basso. È uno strumento utile per livellare le immagini delle riprese a mano e quando la camera è montata su uno stabilizzatore.

La direzione in cui la linea grigio chiaro si sposta dal mirino grigio scuro al centro indica la direzione dell'inclinazione della camera. Quando la camera è inclinata verso il basso, la linea orizzontale grigio chiaro si sposta verso l'alto, e viceversa, quando la camera è inclinata verso l'alto, la linea orizzontale grigio chiaro si sposta verso il basso.

La distanza delle linee dal mirino centrale è proporzionale all'inclinazione o alla rotazione attuale. Una volta calibrato il sensore di movimento della camera, la linea verticale diventa blu, indicando che la camera è allineata all'asse della rotazione (roll). Allo stesso modo, la linea orizzontale diventa blu indicando che la camera è allineata all'asse dell'inclinazione (tilt).

L'indicatore Orizzonte tiene in considerazione quando la camera è inclinata verso il basso per le inquadrature dall'alto o verso l'alto per le inquadrature dal basso. Se ruoti la camera in verticale per girare nel formato ritratto, la linea Orizzonte ruota gli assi di 90 gradi.

Questa tabella riporta alcuni esempi di come l'indicatore Orizzonte mostra la rotazione o l'inclinazione della camera.

Indicatore Orizzonte	Descrizione
	Dritta e a livello
	Inclinata verso il basso e a livello
	Dritta e ruotata a sinistra
	Inclinata in alto e ruotata a destra

Per operazioni di ripresa consuete, calibra l'indicatore Orizzonte per ottenere inquadrature dritte e a livello. Se invece preferisci utilizzare questa funzione per mantenere un'inclinazione di ripresa costante (detta *angolo olandese*) per inquadrature dall'alto o dal basso, calibra l'indicatore Orizzonte con l'angolazione desiderata. Per maggiori informazioni su come calibrare l'indicatore Orizzonte, consulta la sezione "Calibrazione del sensore di movimento".

Mirino

Mostra un mirino al centro dell'immagine. Come i terzi, il mirino facilita la composizione perché consente di situare il soggetto al centro dell'immagine. È utile per girare scene che saranno montate con tagli veloci. Ponendo l'attenzione sulla parte centrale dell'immagine è più facile seguire il susseguirsi dei tagli.

Punto

Questa opzione ha lo stesso scopo del mirino, ma è più discreta perché mostra un solo punto al centro dell'immagine.

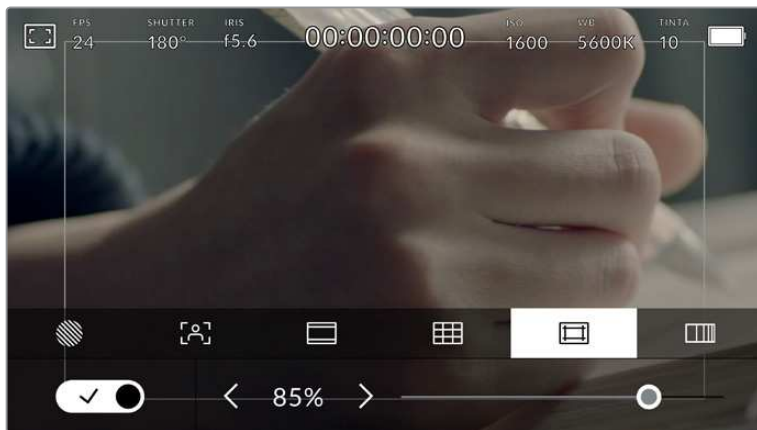
SUGGERIMENTO Per maggiori informazioni su come abilitare le griglie sull'uscita HDMI della camera, consulta la sezione "Impostazioni di monitoraggio".

Safe area

Abilita e disabilita le guide della safe area e seleziona le dimensioni per lo schermo LCD e l'uscita HDMI.

La safe area è utilizzata nel broadcast per far sì che la parte più importante dell'immagine, quella centrale, sia visibile su tutti i televisori, lasciando spazio a sufficienza per aggiungere loghi, scritte scorrevoli e altri overlay ai margini dello schermo. La maggior parte delle emittenti richiede contenuti che includano titoli e grafica all'interno di una safe area del 90%.

Le guide della safe area sono anche utili per inquadrare le immagini che saranno stabilizzate in post produzione, ovvero tagliate ai margini. Oppure si possono usare per indicare un determinato crop. Per esempio, selezionando una safe area del 50% mentre si registra in Ultra HD 3840x2160, puoi vedere come apparirebbe l'immagine con un crop di 1920x1080. La percentuale delle guide della safe area si ridimensiona secondo le guide di inquadratura selezionate.



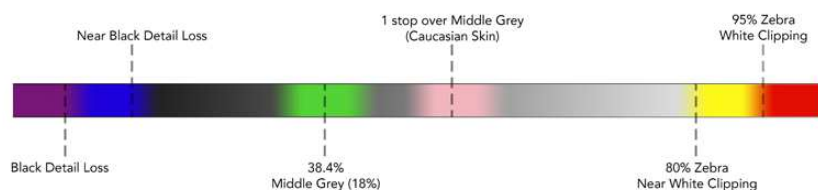
L'indicatore della safe area impostato su 85%

L'interruttore in basso a sinistra abilita e disabilita le guide della safe area sullo schermo LCD touch. Seleziona la percentuale desiderata per l'uscita HDMI della camera utilizzando le frecce laterali in basso al touchscreen, oppure lo slider.

Falsi Colori

La sesta icona si riferisce alla funzione dei falsi colori, overlay colorati che rappresentano i valori di esposizione di diversi elementi dell'immagine. Per esempio, il rosa rappresenta l'esposizione ottimale per la pelle chiara, mentre il verde indica le tonalità più scure. Tieni sotto controllo i livelli rosa e verdi dei falsi colori durante le riprese per mantenere costante l'esposizione delle tonalità della pelle.

Allo stesso modo, quando gli elementi dell'immagine passano da giallo a rosso, significa che sono sovraesposti.



Spettro dei falsi colori

L'interruttore in basso a sinistra abilita e disabilita la funzione dei falsi colori sullo schermo LCD touch.



L'icona dei falsi colori

Fotogrammi per secondo

Mostra il frame rate selezionato.



Tocca l'indicatore FPS per accedere alle impostazioni di frame rate

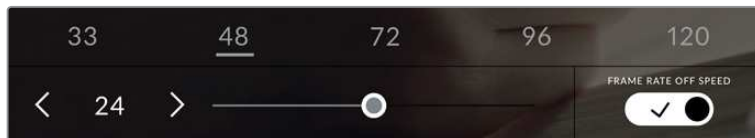
Tocca **FPS** per cambiare il frame rate del sensore e il frame rate del progetto con il menù in basso allo schermo LCD.

Frame rate del progetto

Corrisponde al frame rate di registrazione della camera e offre diverse opzioni per il cinema e la televisione. Solitamente il frame rate del progetto combacia con quello utilizzato in post.

Sono disponibili 8 opzioni: 23.98, 24, 25, 29.97, 30, 50, 59.94 e 60 fps.

Per regolare il frame rate del progetto, seleziona l'indicatore **FPS**, spunta l'interruttore del frame rate del sensore **Frame rate off speed**, e tocca le frecce oppure lo slider.

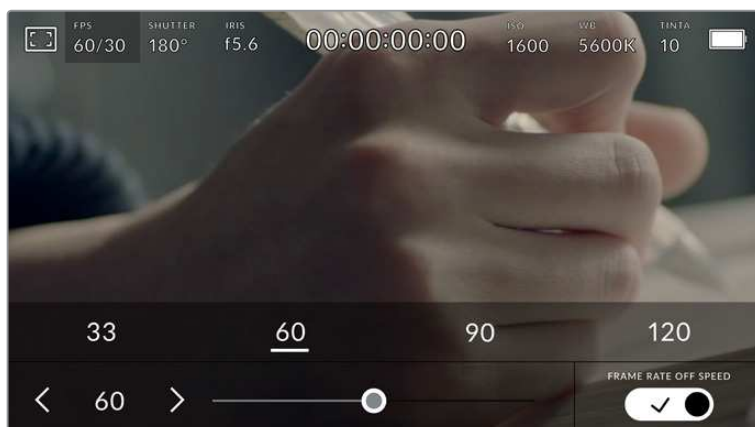


Abilita Frame Rate Off Speed e tocca le frecce o sposta lo slider per regolarlo

SUGGERIMENTO Il frame rate del progetto di Pocket Cinema Camera detta il frame rate dell'uscita HDMI.

Frame rate off speed

Questo valore definisce il numero esatto di fotogrammi per secondo registrato dal sensore, e incide sulla velocità di riproduzione del video in base al frame rate del progetto impostato.



Abilita il frame rate del sensore e tocca i valori predefiniti o usa lo slider o le frecce per regolarlo

Il frame rate del progetto e del sensore combaciano di default, per riprodurre a velocità normale. Per configurare il frame rate del sensore indipendentemente, tocca il menù **FPS**, e spunta l'interruttore del frame rate del sensore **Frame rate off speed** in basso a destra.

Una volta abilitato, tocca le frecce in basso a sinistra dello stesso menù sul touchscreen, o usa lo slider per aumentare o diminuire il frame rate del sensore. Rilascia lo slider per salvare la selezione. Sopra lo slider trovi i valori off speed più comuni, basati sul frame rate del progetto attuale.

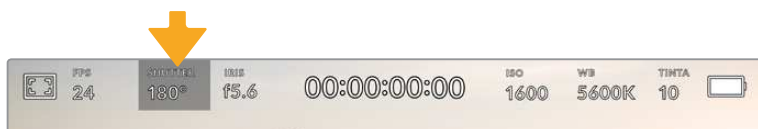
Variando il frame rate del sensore puoi creare effetti di velocità interessanti e dinamici. Aumentandolo si ottiene l'effetto a rallentatore in fase di riproduzione. Per esempio, se riprendi con un frame rate del sensore di 60 fps e riproduci le clip con un frame rate del progetto di 24 fps, l'effetto rallentatore corrisponde al 40% della velocità reale dell'azione. Diminuendo il frame rate del sensore, le clip vengono riprodotte più velocemente. È un concetto simile a quando si girava manualmente con la pellicola. Aumentando i giri (overcrank) si allungano i momenti, e in fase di ripresa l'effetto slow-motion intensifica le emozioni. Diminuendo i giri (undercrank) si diminuisce il frame rate del sensore, e la velocità dell'azione accelera nelle scene ricche di movimento. Scegli la soluzione creativa che preferisci.

Per maggiori informazioni sui frame rate massimi per formato di registrazione e codec, consulta la tabella nella sezione "Registrazione".

NOTA Quando il frame rate del sensore è abilitato, l'audio e il video non sono più in sincrono, anche se il frame rate del progetto è lo stesso del sensore. Per questo motivo consigliamo di non usare la funzione Frame Rate Off Speed se preferisci mantenere audio e video sincronizzati.

Shutter

Mostra l'angolo dell'otturatore o la velocità dell'otturatore. Toccalo per regolare i valori manualmente o per impostare le modalità di esposizione automatica. Consulta la sezione "Impostazioni generali" per maggiori informazioni.



Tocca l'indicatore Shutter per accedere alle impostazioni dell'otturatore

L'angolo dell'otturatore o la velocità dell'otturatore definiscono l'effetto del mosso delle immagini, e si utilizza per compensare un'illuminazione variabile. L'angolo di 180 gradi cattura un livello del mosso idoneo nella maggior parte delle condizioni, e corrisponde alla velocità dell'otturatore di 1/50 di secondo. Quando le condizioni di illuminazione cambiano è necessario impostarne un altro.

Per esempio, 360 gradi è l'angolo "più aperto" che consente di catturare tutta la luce dal sensore. È ideale per condizioni di luce scarsa e con poco movimento. Invece nelle scene con movimenti rapidi e costanti, è preferibile un angolo di 90 gradi, che riduce gli effetti del mosso per immagini nitide e dettagliate. Il rapporto tra la velocità dell'otturatore e l'angolo dell'otturatore varia secondo il frame rate.

Per esempio, se registri a 25 fps, l'angolo di 360 gradi corrisponde a 1/25 di secondo, e 90 gradi a 1/100 di secondo.

NOTA L'otturatore tende a incidere sulla visibilità dello sfarfallio, specialmente quando si riprende sotto luci artificiali. Pocket Cinema Camera calcola automaticamente l'angolo dell'otturatore senza sfarfallio per il frame rate utilizzato, e suggerisce fino a 3 valori di shutter in basso al touchscreen. Questi valori variano in base all'alimentazione del paese in cui ti trovi. Nel menù impostazioni Setup, puoi selezionare una frequenza di 50Hz o 60Hz. Consulta la sezione "Impostazioni generali" per maggiori informazioni.

Tocca l'indicatore **Shutter** per aprire il menù dell'otturatore in basso al touchscreen. Se **Auto Esposizione** è disabilitata, il display mostra l'angolo dell'otturatore corrente, e le opzioni senza sfarfallio disponibili in base all'alimentazione selezionata nel menù impostazioni della camera. Per tutte le informazioni consulta la sezione "Impostazioni generali".

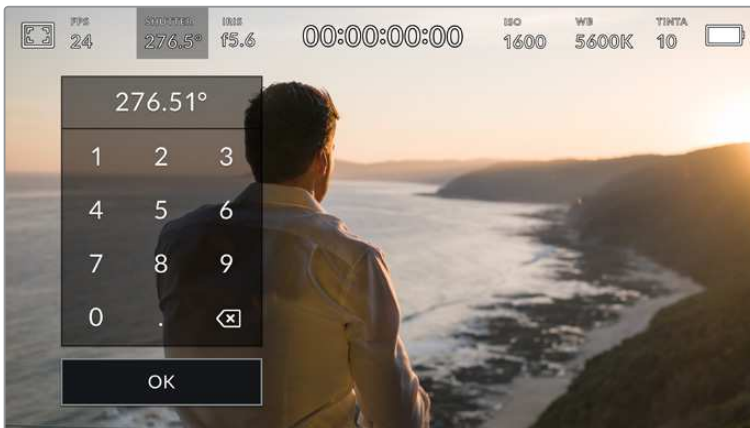
NOTA Le caratteristiche delle diverse fonti di luce potrebbero causare sfarfallio anche quando selezioni il valore suggerito. Consigliamo di testare sempre la registrazione se l'illuminazione non è stabile.

Per selezionare un'opzione senza sfarfallio, tocca uno dei valori dell'otturatore suggeriti. Usa le frecce ai lati dei valori dell'otturatore per spostarti tra i predefiniti più comuni.



La camera suggerisce valori dell'otturatore senza sfarfallio in base alla frequenza selezionata nel menù impostazioni Setup

Per le riprese in esterno, o se si utilizzano luci senza sfarfallio, puoi inserire un valore di shutter manualmente toccando due volte il valore corrente in basso a sinistra dello schermo. Sul display appare una tastiera con cui puoi inserire un valore dai 5 ai 360 gradi.



Utilizza la tastiera in sovrapposizione per inserire manualmente l'angolo dell'otturatore per le riprese in esterno e in presenza di luci senza sfarfallio

Pocket Cinema Camera offre tre modalità di esposizione automatica basate sull'otturatore. Per selezionarle, spunta **Auto Esposizione** in basso a destra del menù **Shutter**.

Shutter

Regola automaticamente il valore dell'otturatore per mantenere costanti l'esposizione e l'apertura del diaframma. Scegli questa opzione per mantenere la profondità di campo invariata. Ricorda che la regolazione automatica dell'otturatore potrebbe incidere sull'effetto del mosso. Inoltre è consigliabile tenere sotto controllo le luci usate per le riprese interne perché potrebbero provocare dello sfarfallio. La funzione di diaframma automatico non è disponibile quando **Auto Esposizione** è spuntata.

Shutter + Iris

Mantiene i livelli di esposizione corretti regolando prima lo shutter, poi l'apertura. Quando si raggiunge il valore massimo o minimo dell'otturatore e non è possibile mantenere invariata l'esposizione, la camera comincia a regolare l'apertura.

Iris + Shutter

Mantiene i livelli di esposizione corretti regolando prima l'apertura, poi lo shutter. Quando si raggiunge il valore massimo o minimo di apertura e non è possibile mantenere invariata l'esposizione, la camera comincia a regolare il valore dell'otturatore.

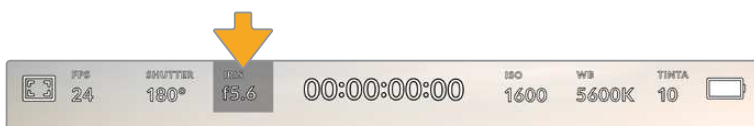


Nel menù Shutter, spunta Auto Esposizione per accedere alle modalità di esposizione automatica basate sull'otturatore

SUGGERIMENTO Se scegli un'opzione di esposizione automatica che influisce su otturatore o diaframma, una piccola 'A' apparirà a lato dell'indicatore corrispondente in alto al touchscreen.

Iris

Mostra l'apertura dell'obiettivo. Tocca **Iris** per cambiare l'apertura di ottiche compatibili e configurare le modalità di esposizione automatica basate sul diaframma.



Tocca l'indicatore Iris per accedere alle impostazioni del diaframma

NOTA Per regolare il diaframma dal touchscreen, accertati che l'obiettivo installato su Pocket Cinema Camera sia compatibile con il controllo dell'apertura effettuato dalla camera.

Tocca l'indicatore **Iris** per aprire il menù del diaframma. L'apertura corrente in basso a sinistra si può cambiare toccando le frecce, o muovendo lo slider.



Nel menù Iris, tocca le frecce o usa lo slider per regolare il diaframma

Spuntando l'interruttore **Auto Esposizione** appaiono le seguenti opzioni di esposizione automatica del diaframma.

Iris

Regola automaticamente l'apertura per mantenere esposizione e angolo dell'otturatore costanti. L'effetto del mosso non subisce cambiamenti, ma potrebbe incidere sulla profondità di campo.

Iris + Shutter

Mantiene i livelli di esposizione corretti regolando prima l'apertura, poi lo shutter. Quando si raggiunge il valore massimo o minimo di apertura e non è possibile mantenere invariata l'esposizione, la camera comincia a regolare il valore dell'otturatore.

Shutter + Iris

Mantiene i livelli di esposizione corretti regolando prima lo shutter, poi l'apertura. Quando si raggiunge il valore massimo o minimo di apertura e non è possibile mantenere invariata l'esposizione, la camera comincia a regolare l'otturatore.



Nel menù Iris, spunta l'interruttore Auto Esposizione per accedere alle modalità di esposizione automatiche basate sul diaframma

SUGGERIMENTO Se scegli un'opzione di esposizione automatica che influisce su otturatore o diaframma, una piccola 'A' apparirà a lato dell'indicatore corrispondente in alto al touchscreen.

Durata

Questo display si trova in alto al centro dello schermo LCD touch.



In fase di registrazione il display della durata è di colore rosso

Il display è utile per controllare la durata delle clip, e monitorare il timecode in fase di cattura e riproduzione. Mostra la durata in ore:minuti:secondi:fotogrammi, e varia in base alla registrazione o alla riproduzione delle clip. È di colore rosso in fase di registrazione.

Il contatore parte da 00:00:00:00. La durata della clip attuale, o appena registrata, è visibile sul touchscreen. Il timecode dell'ora del giorno si salva nelle clip per facilitare la post produzione.

Per visualizzare il timecode tocca il display del contatore, poi toccalo di nuovo per tornare alla durata delle clip.

I seguenti simboli possono apparire ai lati del display della durata:



Modalità finestra del sensore - appare sulla sinistra del contatore.



Timecode - appare sulla destra del contatore.



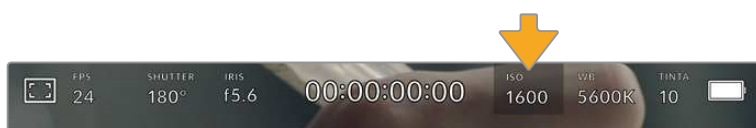
Timecode esterno LTC connesso (al jack 3,5 mm) e valido - appare sulla destra del contatore.



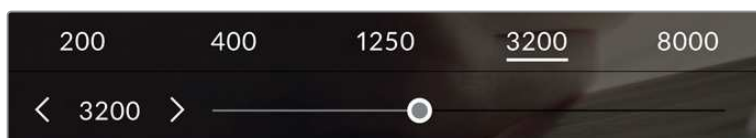
Timecode interno generato con sincronizzazione jam-sync e con timecode esterno disconnesso - appare sulla destra del contatore.

ISO

Mostra le impostazioni ISO, ovvero la sensibilità alla luce. Tocca **ISO** per regolarlo secondo le condizioni di luce.



Tocca ISO per regolarlo secondo le condizioni di luce



I valori di ISO appaiono in basso allo schermo. Lo slider sotto i valori predefiniti consente di regolare l'ISO in incrementi di 1/3

Scegli il setting più consono in base alle condizioni di luce. Per esempio, in condizioni di scarsa illuminazione un ISO di 25600 è adatto, ma può causare la comparsa di rumore. In condizioni di elevata luminosità, un ISO 100 è ideale per catturare colori più ricchi.

Doppio ISO nativo

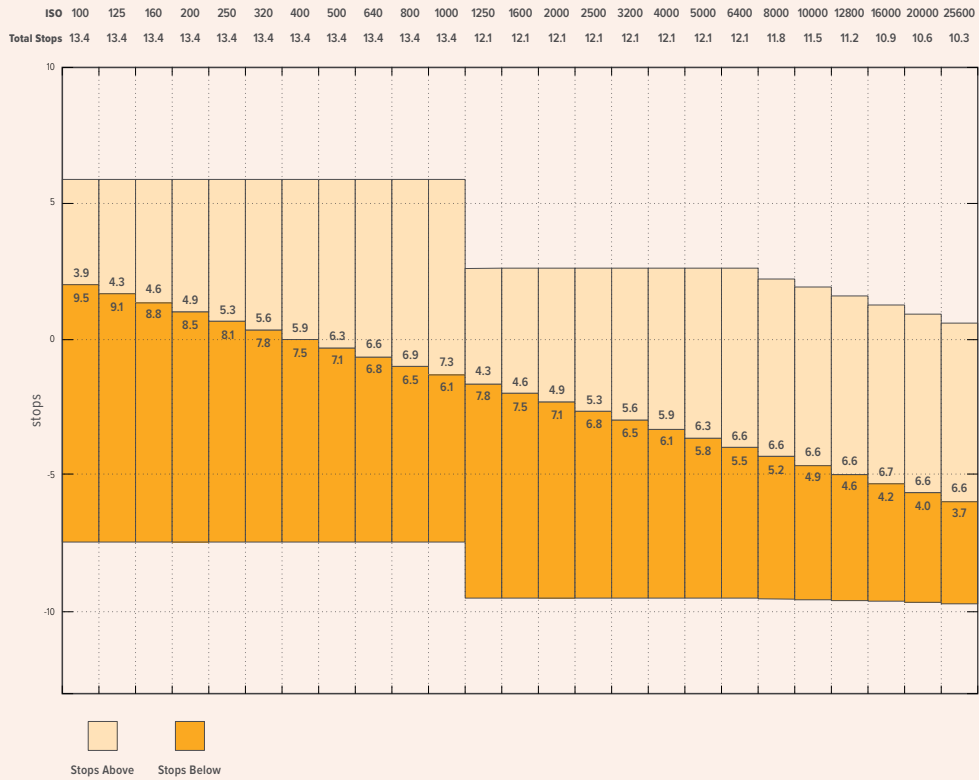
Pocket Cinema Camera offre un doppio ISO nativo di 400 e 3200. In termini pratici, il sensore è ottimizzato per riprendere in condizioni di scarsa illuminazione e in piena luce del giorno.

Regola l'ISO secondo le condizioni di luce, e il doppio ISO nativo garantirà che le immagini girate contengano il minore rumore possibile con valori ISO minimi e massimi.

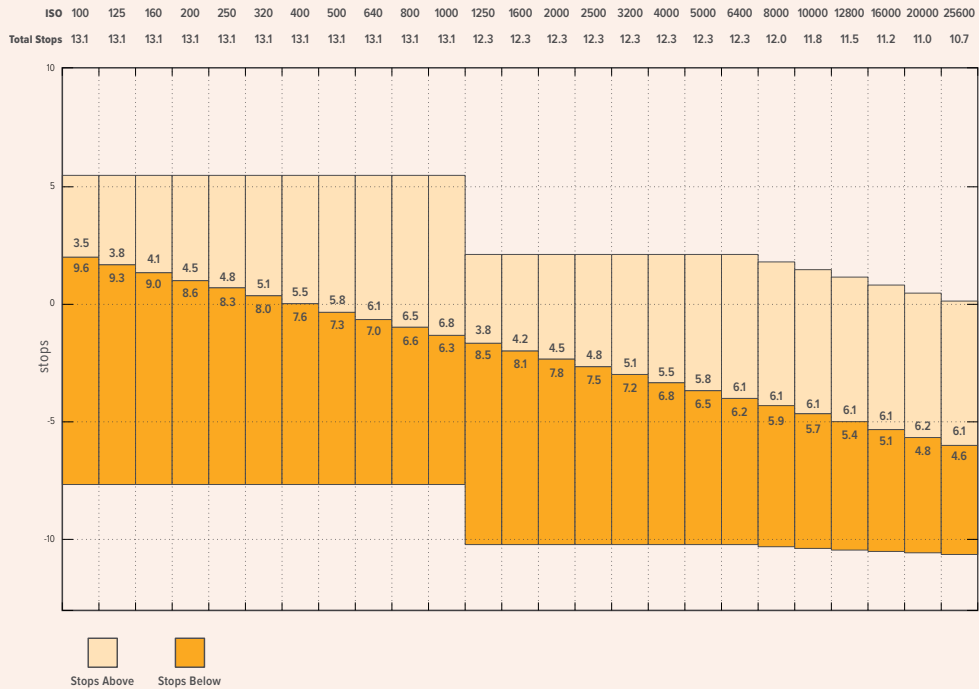
Per esempio, quando l'ISO è impostato tra i valori di 100 e 1000, viene utilizzato un ISO 400 nativo di riferimento. Tra i valori 1250 e 25600, viene utilizzato un ISO 3200 nativo di riferimento. Quindi se riprendi in condizioni in cui puoi scegliere tra un ISO 1000 e 1250, consigliamo di selezionare 1250, perché fa scattare un ISO nativo più alto e si ottengono risultati migliori.

Le tabelle qui sotto mostrano la relazione tra il valore di ISO e la gamma dinamica assegnata.

Gamma dinamica di Pocket Cinema Camera 6K

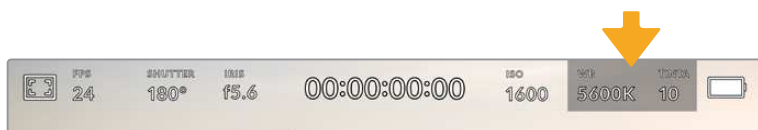


Gamma dinamica di Pocket Cinema Camera 4K



Bilanciamento del bianco






Gli indicatori **WB** e **Tinta** mostrano rispettivamente il bilanciamento del bianco e la tinta. Toccali per regolare i rispettivi livelli secondo le condizioni di luce.



Tocca l'indicatore WB o Tinta per accedere alle impostazioni del bilanciamento del bianco e della tinta

Ogni fonte di luce emette un colore. Per esempio, la fiamma di una candela emette un colore caldo, e il cielo coperto un colore freddo. Il bilanciamento del bianco mantiene intatti i bianchi regolando il mix di arancione e blu nell'immagine. Per esempio, quando si riprende su un set con lampade al tungsteno, che emettono una luce calda e arancione, selezionando il valore 3200K si aggiunge un tocco di blu all'immagine. Questa impostazione bilancia il colore, di modo che i bianchi vengano catturati accuratamente.

Pocket Cinema Camera include i seguenti valori di bilanciamento del bianco predefiniti per diverse temperature di colore:

	Luce diretta del sole	(5600K)
	Lampadine incandescenti	(3200K)
	Lampadine fluorescenti	(4000K)
	Luce mista	(4500K)
	Nuvoloso	(6500K)

Tutti questi predefiniti sono personalizzabili: basta toccare o tenere premute le frecce ai lati della temperatura, in basso a sinistra del menù **WB**. Ogni tocco aumenta o diminuisce la temperatura di 50K. Tenendo premuta la freccia i valori cambiano più velocemente, altrimenti usa lo slider.

Per ottenere immagini ancora più precise, regola la tinta, ovvero il mix di verde e magenta. Per esempio, aggiungi del magenta per compensare l'alone verde delle luci fluorescenti. Molti dei parametri predefiniti di bilanciamento del bianco includono della tinta.



Tocca l'indicatore WB e Tinta per accedere a 5 valori predefiniti, e bilanciare il bianco sulla sinistra, e la tinta sulla destra. Puoi regolare e salvare un predefinito WB per ogni condizione di luce

Nel menù WB, i valori di tinta si trovano in basso a destra. Regola la tinta con le frecce, spostandoti con incrementi di 1 unità nell'intervallo da -50 a +50. Tieni premuta la freccia per cambiare i valori più velocemente.

NOTA Se personalizzi il bilanciamento del bianco o la tinta, il nuovo valore diventa il predefinito CWB (Custom White Balance). I predefiniti personalizzati sono mantenuti anche al riavvio. In questo modo è facile mettere a confronto i predefiniti e CWB.

Bilanciamento del bianco automatico

Pocket Cinema Camera è in grado di impostare il bilanciamento del bianco automaticamente. Tocca **AWB**, e vedrai apparire una finestra di regolazione al centro dell'immagine.

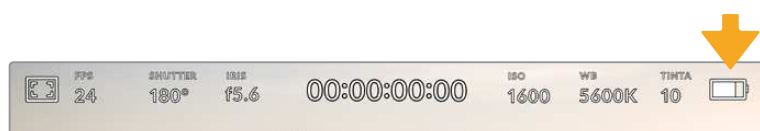
Posiziona un foglio bianco o grigio fino a riempire la finestra e tocca **Aggiorna WB** per confermare. La camera regolerà automaticamente il bianco e la tinta trovando la media neutra del bianco o grigio all'interno della finestra. Una volta aggiornato il bilanciamento del bianco, la camera utilizza questo nuovo parametro personalizzato. Un altro metodo per attivare la funzione di bilanciamento del bianco automatico è tenere premuto il pulsante WB sulla parte superiore della camera.



Tocca AWB sul touchscreen per aprire la finestra di bilanciamento del bianco. Inquadra una superficie neutra bianca o grigia per bilanciare il bianco in modo automatico

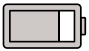
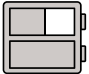
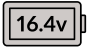
Alimentazione

In alto a destra del touchscreen c'è l'indicatore di alimentazione e della carica residua della camera.



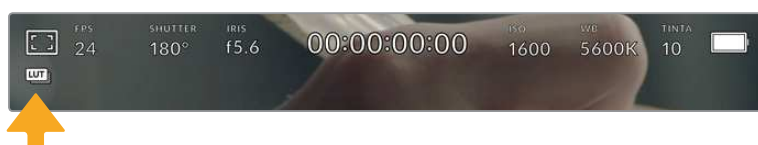
Se usi le batterie, tocca l'icona per visualizzare la carica residua in barre o percentuale

	AC	La camera è alimentata dalla corrente.
	AC / In carica	La camera è alimentata dalla corrente e carica automaticamente la batteria rimovibile LP-E6 o le batterie NP-F570 se si utilizza Blackmagic Pocket Camera Battery Grip.
	Percentuale	Mostra la carica residua in percentuale (se supportato dalla batteria), in unità di 1%. L'indicatore diventa rosso quando la carica scende sotto il 20%. Tocca l'icona della batteria per mostrare o nascondere la percentuale.

	Barre camera	Mostra la carica residua in barre, in sezioni di 25%. L'indicatore diventa rosso quando la carica scende sotto il 20%.
	Barre impugnatura	Quando è installata Blackmagic Pocket Camera Battery Grip, queste due barre consentono di monitorare la carica delle batterie singolarmente.
	Tensione	Mostra la tensione della batteria, o dell'alimentazione DC di un alimentatore, un cavo adattatore D-tap, o una soluzione su misura. Tocca l'icona per mostrare o nascondere il voltaggio.

Indicatore di LUT

Quando utilizzi una LUT durante le riprese sul set, l'icona **LUT** appare in alto a sinistra dello schermo.



Istogramma

L'istogramma si trova basso a sinistra del touchscreen, e rappresenta il contrasto tra i bianchi e i neri su una scala orizzontale.



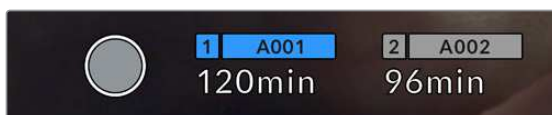
L'istogramma mostra l'intervallo tonale tra le ombre e le luci. È utile per bilanciare le immagini ed evitare di sovraesporre.

La parte sinistra dell'istogramma rappresenta le ombre, o i neri, e la parte destra le luci, o i bianchi. Quando apri o chiudi l'apertura delle ottiche, noterai che le informazioni dell'istogramma si spostano a destra o a sinistra. Usa questa funzione per verificare il fenomeno del clipping dei neri o dei bianchi. Se i picchi a destra o a sinistra dell'istogramma si interrompono bruscamente invece di scendere gradualmente significa che si stanno perdendo dei dettagli di luce o ombra.

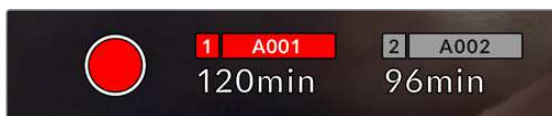
NOTA Se l'istogramma non è visibile in basso a sinistra del touchscreen, è possibile che lo stesso display sia impostato su Codec e Risoluzione. Consulta la sezione "Impostazioni di monitoraggio" di questo manuale per maggiori informazioni.

REC

Di fianco all'istogramma si trova un pulsante grigio circolare. Toccalo una volta per cominciare la cattura. Toccalo di nuovo per terminarla. Quando la registrazione è in corso, questo pulsante, l'indicatore di archiviazione, e il timecode sul touchscreen sono di colore rosso.



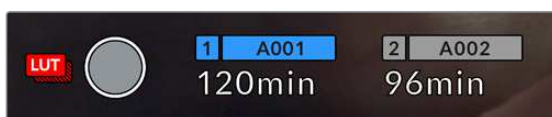
Il pulsante di REC si trova a lato degli indicatori di archiviazione in basso al touchscreen



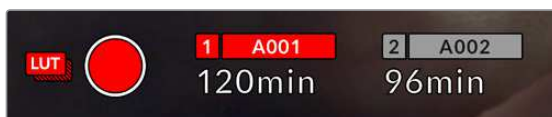
In fase di cattura il pulsante di REC diventa rosso

LUT attiva

Se hai applicato una LUT alle clip dalla tab Record, il touchscreen mostra la dicitura LUT in modalità standby e durante la registrazione.



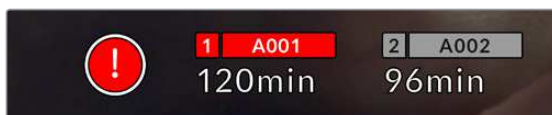
L'icona LUT indica che le clip saranno registrate con la LUT selezionata



L'icona LUT appare quando la registrazione integra una LUT

Indicatore drop frame

Il pulsante di REC rosso mostra il simbolo lampeggiante ! se durante la cattura saltano alcuni fotogrammi. In questo caso anche il contatore di durata residua della scheda utilizzata diventa rosso. Per esempio, se la scheda CFast salta fotogrammi, il simbolo ! appare sul pulsante di REC e l'indicatore di durata residua della scheda CFast diventa rosso. In questo modo saprai subito se la scheda non è abbastanza veloce per il codec e la risoluzione utilizzate. L'indicatore drop frame appare anche se sono saltati dei fotogrammi nella clip precedentemente registrata, e rimane visibile finché non si registra una nuova clip, o si riavvia la camera. Per maggiori informazioni su come evitare i drop frame, consulta le sezioni "Scegliere una scheda CFast 2.0" o "Scegliere una scheda SD".

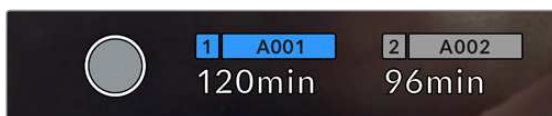


Indicatore drop frame per la scheda CFast

NOTA È possibile impostare la camera di modo che la registrazione si interrompa in caso di perdita di fotogrammi, evitando di filmare materiale inutilizzabile. Consulta la sezione "Impostazioni di registrazione" per maggiori informazioni.

Registrazione residua

Gli indicatori di archiviazione in basso al touchscreen mostrano i minuti di registrazione residua delle schede CFast e SD inserite, o dell'unità flash USB C collegata. La durata in minuti varia secondo il frame rate e il codec selezionati. Gli indicatori ricalcolano il tempo residuo automaticamente se queste impostazioni vengono cambiate. Quando rimangono circa 5 minuti di registrazione sulla scheda o drive, l'indicatore diventa rosso, e comincia a lampeggiare con 2 minuti rimanenti. Mostra la dicitura **Piena** quando la scheda o drive è piena.



L'indicatore di archiviazione mostra il nome del supporto (CFast, SD, o unità flash USB C) e la registrazione residua in minuti

La piccola barra sopra i minuti di registrazione residui contiene il nome della scheda o drive. È di colore blu quando la scheda o unità flash USB C è selezionata per la registrazione. Per registrare su un supporto diverso, tocca e tieni premuto il nome della scheda o unità flash USB C sulla quale vuoi registrare. La barra diventa rossa durante la registrazione.

Tocca gli indicatori di archiviazione per aprire il menù archiviazione e di formattazione.



Tocca gli indicatori delle schede sul touchscreen per accedere al menù archiviazione

Questo menù mostra lo spazio di archiviazione residuo per ogni scheda CFast e SD o unità flash USB C collegata alla camera, il nome della scheda o drive, la durata dell'ultima clip, quante clip sono registrate su ogni scheda o drive, e il formato dei file.

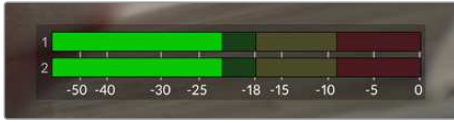
Qui puoi anche formattare la scheda. Per tutti i dettagli, consulta la sezione "Preparare i supporti di memoria per la registrazione".

SUGGERIMENTO Per selezionare il supporto di memoria su cui vuoi registrare, tocca l'indicatore corrispondente sul touchscreen.

Livelli audio

Questi overlay mostrano i livelli audio dei canali 1 e 2 del microfono interno o dell'audio esterno connesso. Il display è calibrato a intervalli di dBFS. Gli indicatori di livello rimangono visibili per qualche istante, per mostrare più a lungo i livelli massimi raggiunti.

Per una qualità audio audio ottimale, è consigliabile evitare di raggiungere 0 dBFS. Questo è il livello massimo di registrazione supportato dalla camera, che una volta superato risulta in clipping, causando distorsione.



Le barre colorate rappresentano i livelli audio, la cui posizione ideale è nella parte in alto della zona verde. Se i livelli raggiungono la zona gialla o rossa, l'audio è a rischio di clipping

Tocca i livelli audio per accedere ai controlli del volume dei canali 1 e 2 in entrata, delle cuffie o dello speaker.



Tocca i livelli audio per accedere al volume e alle impostazioni di cuffie e speaker

Zoom con doppio tocco

Zooma l'immagine di anteprima toccando due volte l'area interessata sullo schermo. Per spostarti sull'immagine ingrandita, muovi opportunamente il dito sul touchscreen. Questa funzione è utile per controllare la messa a fuoco. Per ritornare all'immagine normale, tocca di nuovo il touchscreen due volte.

Zoom con due dita

Il livello di zoom si può regolare con due dita, e non ha effetto sull'uscita HDMI.

Per ingrandire di 2x, tocca due volte sul touchscreen o premi il pulsante Focus Zoom sul retro della camera. Con due dita puoi ingrandire o diminuire il livello di zoom. Trascinando il dito sul touchscreen sposti l'area ingrandita. Per tornare all'ingrandimento standard, tocca due volte il touchscreen, o premi il pulsante Focus Zoom sul retro.

Quando tocchi il touchscreen o premi il pulsante Focus Zoom, alterna l'ingrandimento precedente e l'immagine intera. Per esempio, zoomando con due dita fino a ingrandire l'immagine 8x, puoi toccare lo schermo due volte per zoomare indietro, e altre due volte per ritornare a 8x.

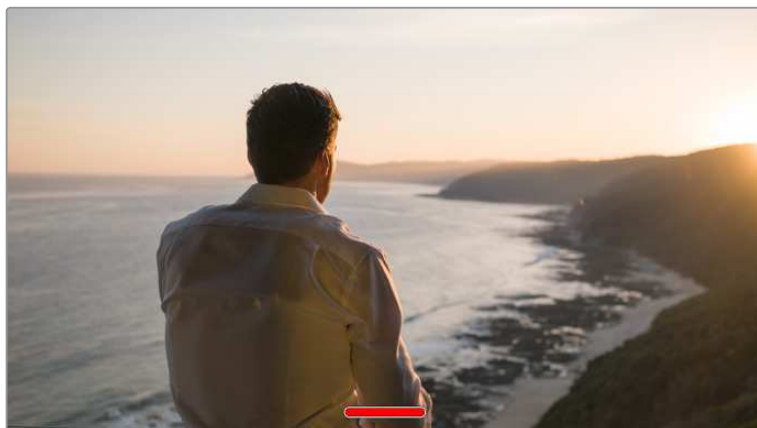
Messa a fuoco con un tocco

Tocca e mantieni il dito sull'area dell'immagine desiderata. Premi il pulsante di messa a fuoco per consentire all'obiettivo di mettere a fuoco l'area selezionata. Premi due volte il pulsante per riportare la messa a fuoco al centro dello schermo.

Schermo intero

Per inquadrare e mettere a fuoco le immagini senza distrazioni, è possibile nascondere temporaneamente gli overlay. Passa il dito verso l'alto o il basso dello schermo per vedere solo l'indicatore di registrazione, le guide di inquadratura, le griglie, l'aiuto messa a fuoco, e le strisce della funzione zebra.

Per mostrare le informazioni di stato e gli indicatori di livello, passa di nuovo il dito sullo schermo.



Nascondi gli overlay sullo schermo spostando il dito verso l'alto o verso il basso

Menù di riproduzione

Premi il pulsante Play per accedere al menù di riproduzione. Riproduci le clip registrate utilizzando i tasti di trasporto della camera o le icone sullo schermo LCD.

Tocca l'icona di play sul touchscreen per avviare la riproduzione, e tocca di nuovo per metterla in pausa. Tocca i pulsanti Avanti e Indietro per andare all'inizio o alla fine delle clip. Tocca Avanti una volta per passare alla clip successiva. Premi il pulsante Indietro una volta per tornare all'inizio della clip corrente, premilo due volte per passare all'inizio della clip precedente. Riproduci le clip ciclicamente con l'icona di Loop.



Le icone di Indietro, Play, Avanti, e Loop

Per spostarti all'interno della clip, tieni premuto Avanti o Indietro. Secondo il pulsante premuto, ti sposti a velocità raddoppiata in avanti o indietro.

In modalità veloce, toccando il pulsante di nuovo si raddoppia ulteriormente la velocità nella stessa direzione, fino a un massimo di 16x. Raggiunti i 16x, toccando di nuovo l'icona si torna alla velocità 2x. Per dimezzare la velocità, tocca l'icona di trasporto in direzione opposta, fino a raggiungere 2x. Torna alla velocità di riproduzione normale toccando Play.



L'indicatore di riproduzione veloce mostra direzione e velocità di riproduzione

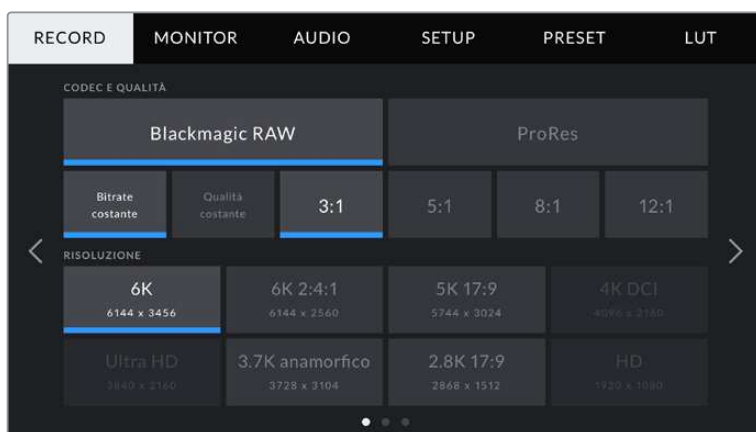
Toccando il pulsante di REC in modalità riproduzione, la camera torna in standby, pronta per la cattura.

SUGGERIMENTO Passa il dito verso l'alto o il basso del touchscreen per nascondere le informazioni di stato in fase di riproduzione. In modalità riproduzione, puoi salvare la sequenza come Ripresa buona nei metadati dalla sezione del ciak elettronico. Consulta la sezione "Inserire i metadati" per maggiori informazioni.

Impostazioni

Dashboard

Premi il pulsante di menù per aprire la dashboard. Questo menù suddiviso in tab include impostazioni non accessibili direttamente dal touchscreen. Le tab sono divise per funzione: registrazione **Record**, monitoraggio **Monitor**, **Audio**, impostazioni **Setup**, predefiniti **Preset** e **LUT**. Ogni tab contiene più pagine, accessibili con le frecce laterali o sfogliando col dito verso destra o sinistra del touchscreen.



Tocca le tab Record, Monitor, Audio, Setup, Preset, e LUT sulla dashboard della camera per spostarti tra le varie impostazioni

Impostazioni di registrazione

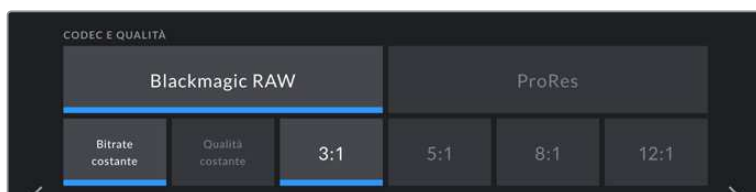
La tab **Record** contiene le impostazioni relative al formato video, codec e risoluzione, gamma dinamica e nitidezza.

Record – Pagina 1

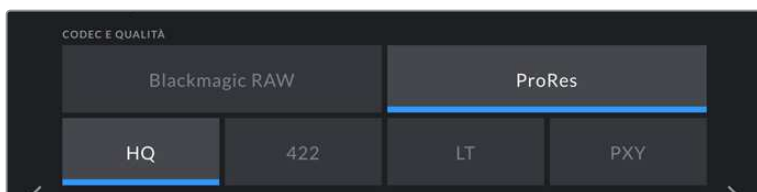
La prima pagina del menù di registrazione include i seguenti setting.

Codec e Qualità

Il menù per codec e qualità è diviso in due file. La parte superiore mostra due codec, Blackmagic RAW e ProRes, e la parte inferiore le opzioni di qualità disponibili per ciascuno. Le opzioni per ProRes sono ProRes 422 HQ, ProRes 422, ProRes 422 LT, e ProRes 422 Proxy. Le opzioni per Blackmagic RAW sono **Bitrate costante** e **Qualità costante**.



Le opzioni di Blackmagic RAW per Codec e Qualità

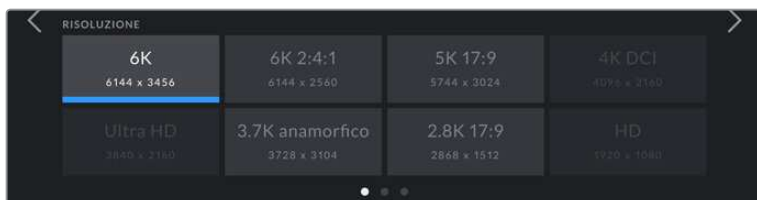


Le opzioni di ProRes per Codec e Qualità

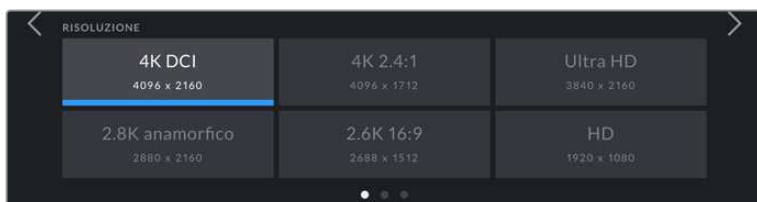
SUGGERIMENTO Scegliendo un codec con maggiore compressione, aumenta la durata della registrazione sul supporto di memoria. Consulta la sezione "Durata della registrazione" per maggiori informazioni.

Risoluzione

Questo sottomenù dei codec è utile per selezionare la risoluzione desiderata secondo il formato. Per esempio, per registrare in Ultra HD nel formato ProRes HQ, dal menù Codec e Qualità seleziona il codec ProRes con qualità HQ, poi la risoluzione Ultra HD.



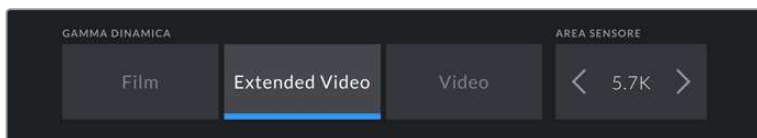
Le opzioni di risoluzione di Pocket Cinema Camera 6K con il codec Blackmagic RAW



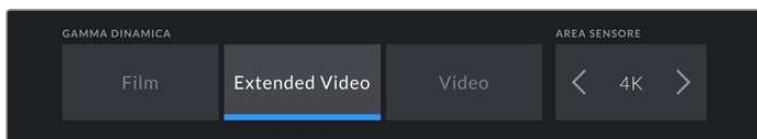
Le opzioni di risoluzione di Pocket Cinema Camera 4K. La categoria per 4K DCI è Risoluzione, mentre per le altre opzioni diventa Risoluzione - modalità finestra

Record – Pagina 2

La seconda pagina del menù di registrazione include i setting seguenti:



Le opzioni di gamma dinamica e area del sensore di Pocket Cinema Camera 6K



Le opzioni di gamma dinamica e area del sensore di Pocket Cinema Camera 4K

Gamma Dinamica

Seleziona la gamma dinamica toccando la relativa icona. Pocket Cinema Camera offre 3 opzioni:

Film	Registra video con una curva log che consente di mantenere la gamma dinamica più ampia, catturando tutte le informazioni del segnale video per una correzione colore in post impeccabile, per esempio con DaVinci Resolve.
Extended Video	Questa modalità è un compromesso tra la gamma dinamica Video e Film. Offre una gamma dinamica maggiore di Video, e applica un contrasto e un effetto più soffici nelle zone di luce. Extended Video è ideale per monitorare le immagini sui monitor broadcast standard, con un look più sofisticato per i progetti con una post produzione limitata.
Video	Registra con uno standard simile al REC 709 per video HD. È ideale per ottimizzare i tempi, registrando direttamente nei formati compressi, con uno spazio colore adatto alla consegna immediata o a una post produzione minima.

NOTA Quando riprendi in Blackmagic RAW e ProRes usando la gamma dinamica Film, sul touchscreen le immagini appaiono piatte e desaturate, perché il file contiene una grande quantità di dati che non sono stati corretti per i display standard. Per ottimizzare il monitoraggio sullo schermo LCD e sull'uscita HDMI è possibile applicare una LUT, o 'look up table', sviluppata per simulare un contrasto standard. Consulta la sezione sulle LUT per maggiori informazioni.

Area Sensore

Puoi impostare Pocket Cinema Camera per utilizzare l'intera area del sensore, oppure per ottenere frame rate più elevati seleziona la modalità finestra del sensore. Questa modalità finestra utilizza solo i pixel del sensore necessari per un determinato formato video, ed evita di ridimensionare l'immagine dall'intero sensore. Alcuni formati combinano la modalità finestra e il ridimensionamento, per esempio Pocket Cinema Camera 6K offre formati HD scalati dal sensore intero, ridimensionati da una finestra 5.7K e scalati da una finestra 2.7K.

Le modalità finestra HD utilizza solo la parte centrale del sensore, di conseguenza il campo visivo degli obiettivi apparirà più piccolo. Per esempio, se usi un obiettivo 20 mm per la cattura HD in modalità finestra, il campo visivo di Pocket Cinema Camera 4K è equivalente a quello di un obiettivo 40 mm.

L'opzione Area Sensore è disponibile quando registri al di sotto della risoluzione massima della camera, per esempio in Ultra HD o in HD ProRes.

I frame rate più elevati disponibili su Pocket Cinema Camera 6K sono selezionabili quando riprende in 2.8K in modalità finestra, e in HD ridimensionato dal 2.7K in modalità finestra. I frame rate più elevati disponibili su Pocket Cinema Camera 4K sono disponibili in 2.6K e 16:9, e in modalità finestra.

Per maggiori informazioni sui formati interi e di modalità finestra, consulta la sezione "Frame rate compatibili" del manuale.

Frame rate del progetto

Seleziona il frame rate del progetto secondo gli standard utilizzati per la televisione o il cinema, per esempio 23.98 fotogrammi per secondo. Solitamente il frame rate del progetto combacia con quello di riproduzione utilizzato in post, per soddisfare i requisiti di workflow, consegna e sync audio.

Sono disponibili 8 frame rate del progetto: 23.98, 24, 25, 29.97, 30, 50, 59.94 e 60 fps.

Registrazione Off Speed

Il frame rate del progetto e del sensore combaciano di default, per riprodurre a velocità normale. Per configurare il frame rate del sensore indipendentemente, spunta l'interruttore.

Frame Rate Off Speed

Una volta spuntato l'interruttore Registrazione Off Speed, tocca le frecce di Frame Rate Off Speed per regolare il frame rate del sensore.

Frame Rate Off Speed imposta quanti fotogrammi al secondo vengono registrati dal sensore per secondo, quindi incide sulla velocità di riproduzione del video in base al frame rate del progetto impostato.

Per maggiori informazioni sul frame rate del sensore, consulta la voce FPS della sezione "Controlli touch" del manuale.

NOTA Per maggiori informazioni sui frame rate massimi per ogni formato di registrazione e codec, consulta la tabella nella sezione "Frame rate compatibili".

Supporto di memoria

Seleziona questa opzione per scegliere a quale scheda dare precedenza di registrazione quando sono inserite schede in entrambi gli slot di Pocket Cinema Camera. Le opzioni sono **CFast**, **SD** e **Scheda più piena**. Selezionare CFast o SD è una scelta personale, l'importante è usarle in modo coerente per sapere con esattezza quale scheda estrarre a caldo quando la prima è piena. L'opzione Scheda più piena aiuta a catalogare i file in ordine cronologico, specialmente per i progetti girati a camera singola.

Il setting si applica alle schede CFast e SD inserite nella camera. L'impostazione si può annullare in qualsiasi momento dal menù archiviazione, toccando il nome della scheda desiderata. **NOTA** bene: quando si estraggono e si reinseriscono le schede, la camera ritorna all'impostazione salvata in Supporto di Archiviazione.

SUGGERIMENTO L'impostazione *Scheda più piena* si basa sulla percentuale di spazio occupato sulla scheda, non sulla capacità o la quantità di dati utilizzati.

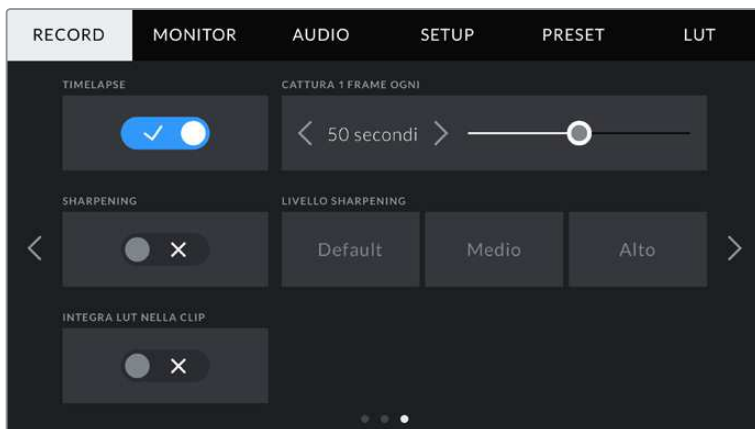
Stop Rec in Caso di Drop Frame

Questa funzione permette di interrompere la registrazione su Pocket Cinema Camera in presenza di drop frame. Mantieni l'interruttore su **X** se preferisci continuare la registrazione in presenza di drop frame. Spuntalo per fermare la registrazione in caso di perdita di fotogrammi. Con questa opzione eviti di perdere tempo registrando materiale inutilizzabile.

SUGGERIMENTO Per maggiori informazioni su come evitare i drop frame, consulta la sezione "Archiviazione".

Record – Pagina 3

La terza pagina del menù di registrazione include i setting seguenti:



Timelapse

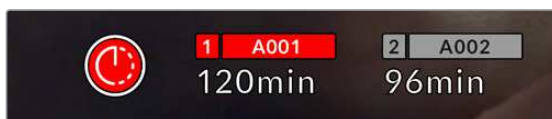
La funzione timelapse registra automaticamente un fotogramma ai seguenti intervalli:

Fotogrammi	2 - 10
Secondi	1 - 10, 20, 30, 40, 50
Minuti	1 - 10

Per esempio, imposta la camera per registrare 1 fotogramma ogni 10, oppure 1 fotogramma ogni 5 secondi, 30 secondi, 5 minuti, ecc.

La funzione timelapse apre la strada a molte opzioni creative. Per esempio, selezionando un intervallo di 2 fotogrammi, il video acquista l'effetto alta velocità in fase di riproduzione.

Premi il pulsante REC per iniziare a registrare. Quando lo premi di nuovo per terminare la registrazione, la sequenza timelapse si salva come una clip singola, con lo stesso codec e frame rate impostati sulla camera. In questo modo puoi incorporare la sequenza timelapse sulla timeline in fase di post come le altre clip registrate.



La modalità timelapse è indicata dall'icona a orologio sul pulsante di registrazione

SUGGERIMENTO Quando registri in modalità timelapse, il timecode si aggiorna per ogni fotogramma catturato.

Sharpening

Con questa impostazione perfezioni i dettagli delle immagini. Spunta l'interruttore e poi seleziona il livello di definizione tra **Default**, **Medio** e **Alto**.

Questa funzione interessa sia il video ProRes registrato dalla camera sia l'uscita HDMI.

È un setting progettato per le produzioni live dallo studio, quando le immagini vanno in onda senza post produzione. Consigliamo di disabilitarlo se si desidera lavorare alle immagini in post produzione. **Livello Sharpening** è disabilitato quando il codec in uso è Blackmagic RAW.

Registra LUT nella Clip

Di default, Pocket Cinema Camera non registra le LUT sulle clip. È possibile abilitare questa funzione spuntando l'interruttore.

Per esempio, è un'opzione utile quando non c'è tempo per correggere le clip in post produzione, o se è necessario passarle direttamente al cliente o alla editor. Consulta le sezioni *LUT 3D* e *Controlli touch* per maggiori informazioni.

Applica LUT nel file

Quando riprendi in Blackmagic RAW con una LUT applicata sull'uscita HDMI della camera, la LUT verrà integrata nel file Blackmagic RAW registrato. La dicitura LUT si salva nel nome del file, ed è facilmente riconoscibile ed utilizzabile in fase di post produzione, senza bisogno di un file separato. Quando spunti **Apply LUT nel file** nel menù di registrazione **Record** della camera, la clip si apre sul Blackmagic RAW Player e su DaVinci Resolve con la LUT applicata. La LUT si può abilitare/disabilitare con una semplice opzione On/Off, ma accompagnerà sempre il file Blackmagic RAW perché è salvata nel file stesso.

Su DaVinci Resolve, nella sezione RAW troverai l'interruttore Apply LUT per abilitare/disabilitare la LUT 3D nel file Blackmagic RAW. È lo stesso setting che trovi nell'interfaccia della camera. In questo modo è possibile utilizzare la LUT sulla camera durante le riprese, e disabilitarla in qualsiasi momento su DaVinci Resolve con Apply LUT > Off.

Denominazione dei file

Le clip vengono registrate sulle schede CFast o SD, o sulle unità flash USB C in Blackmagic RAW o in ProRes QuickTime a seconda del formato di registrazione scelto.

Questa tabella riporta degli esempi di denominazione.

A001_08151512_C001.mov	File QuickTime
A001_08151512_C001.mov	Camera
A001_08151512_C001.mov	Pellicola
A001_08 15 1512_C001.mov	Mese
A001_0815 15 12_C001.mov	Giorno
A001_081515 12 _C001.mov	Ore
A001_08151512_C001 12 .mov	Minuti
A001_08151512_C 001 .mov	Clip

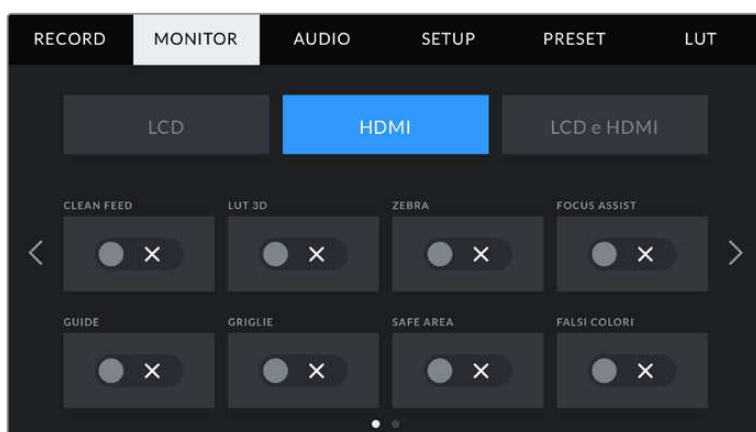
Le foto seguono la denominazione dei file video, ma sono seguite dal suffisso *S001*, che rappresenta il numero del fotogramma scattato, invece del numero della clip. Per maggiori informazioni sull'indicizzazione, consulta la sezione "Metadati della tab Progetto".

Impostazioni di monitoraggio

Nella tab **Monitor** regoli le impostazioni di monitoraggio, per esempio informazioni di stato e overlay, per lo schermo LCD e per l'uscita HDMI di Pocket Cinema Camera. Seleziona **LCD**, **HDMI**, o **LCD e HDMI** per gestire le impostazioni sia del touchscreen sia dell'uscita HDMI. Ogni menù contiene 2 pagine, accessibili con le frecce laterali o sfogliando col dito verso destra o sinistra sullo schermo LCD.

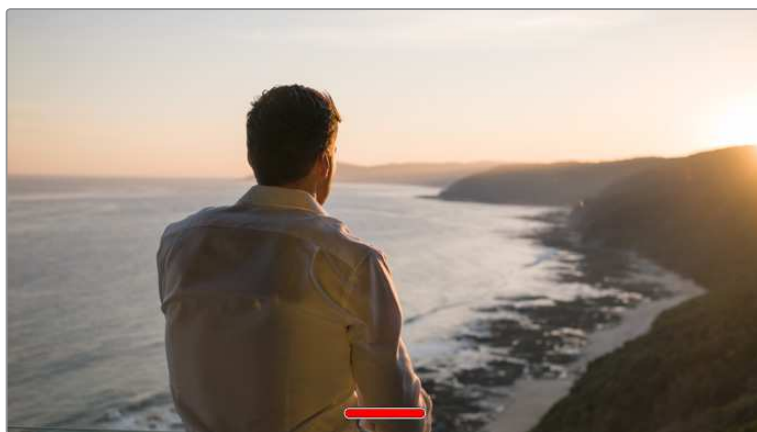
Monitor – Pagina 1

La prima pagina è identica per tutte e tre le opzioni. Per esempio, puoi abilitare la funzione Zebra per lo schermo LCD, e disabilitarla per HDMI.



Clean Feed

Spunta l'interruttore su **LCD** o **HDMI** per disabilitare le informazioni di stato e gli overlay, eccetto l'indicatore tally.



La camera visualizza il tally di registrazione in corso in modalità Clean Feed

NOTA Le LUT si applicano anche alle uscite sulle quali è abilitato Clean Feed. Per disabilitare le LUT, disabilita l'interruttore LUT 3D nella tab Monitor.

LUT 3D

Pocket Cinema Camera applica le LUT 3D a qualsiasi uscita, per mostrare le immagini con una correzione colore preimpostata. È una funzione particolarmente utile quando si registra con la gamma dinamica Film.

Usa questo setting per visualizzare la LUT 3D attiva solo sullo schermo LCD, o solo sull'uscita HDMI.

Consulta la sezione "LUT 3D" per maggiori informazioni su come caricare e utilizzare le LUT 3D.

Spunta gli interruttori nelle pagine LCD o HDMI per abilitare le opzioni di monitoraggio per lo schermo LCD e l'uscita HDMI: **Focus Assist**, **Guide**, **Griglie**, **Safe Area**, e **Falsi Colori**.

Zebra

Spunta l'interruttore **Zebra** per abilitare questa funzione sulle uscite desiderate, per esempio LCD o HDMI. Per maggiori informazioni sulla funzione zebra e su come regolarne i livelli, consulta la sezione "Controlli touch" del manuale.

Focus Assist

Spunta l'interruttore **Focus assist** nella pagina LCD o HDMI per abilitare l'aiuto messa a fuoco sulla rispettiva uscita. Per maggiori informazioni sulla funzione di aiuto messa a fuoco e su come regolarne i livelli, consulta la sezione "Controlli touch" del manuale.

Guide

Spunta l'interruttore **Guide** per abilitare le guide sulle uscite **LCD** e **HDMI**. Per maggiori informazioni sulle guide di inquadratura e su quali selezionare, consulta la sezione "Controlli touch" del manuale.

Griglie

Spunta l'interruttore **Griglie** per abilitare le griglie sull'**LCD** e sull'uscita **HDMI**. Per maggiori informazioni sulle griglie, consulta la sezione "Controlli touch" del manuale.

Safe Area

Spunta l'interruttore **Safe Area** per abilitare l'overlay della safe area sull'**LCD** e sull'uscita **HDMI**. Per maggiori informazioni sulla safe area, consulta la sezione "Controlli touch" del manuale.

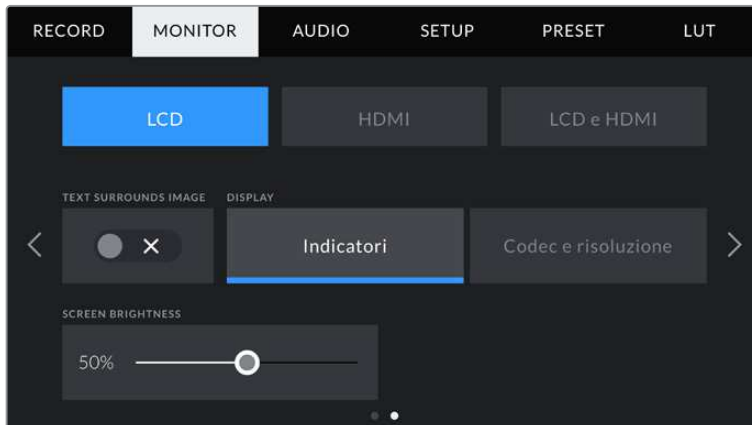
NOTA Per impostare le dimensioni delle guide della safe area, seleziona la tab Monitor > LCD e HDMI > Safe Area.

Falsi Colori

Spunta l'interruttore **Falsi Colori** per abilitare la funzione dei falsi colori sull'**LCD** o sull'uscita **HDMI**. Per maggiori informazioni sulla funzione dei falsi colori, consulta la sezione "Controlli touch" del manuale.

Monitor – LCD – Pagina 2

Questa pagina contiene le impostazioni disponibili solo per lo schermo LCD.



L'interruttore Info di Stato mostra o nasconde le informazioni di stato sull'anteprima delle immagini

Info di Stato

Questo setting è utile per nascondere le informazioni di stato e gli indicatori di livello sul touchscreen, mantenendo solo le informazioni necessarie per comporre le immagini o dirigere le riprese. Tocca l'interruttore di **Info di Stato** per abilitare o disabilitare le informazioni di stato e gli indicatori di livello sul touchscreen della camera. Rimangono visibili le guide di inquadratura, le griglie, l'aiuto messa a fuoco e le strisce zebra, se abilitate. Puoi fare lo stesso spostando il dito verso l'alto o verso il basso sullo schermo LCD.

Display

Invece di mostrare l'istogramma e i livelli audio di default in basso a destra e a sinistra del touchscreen, visualizza il codec e la risoluzione sul display. È una funzione utile se desideri utilizzare i falsi colori per l'esposizione, o se registri l'audio separatamente e preferisci utilizzare lo spazio solitamente occupato dall'istogramma e dai livelli audio.

Dalla tab **Monitor** tocca **LCD > Mostra > Indicatori** o **Codec e risoluzione** per selezionare quali informazioni visualizzare.



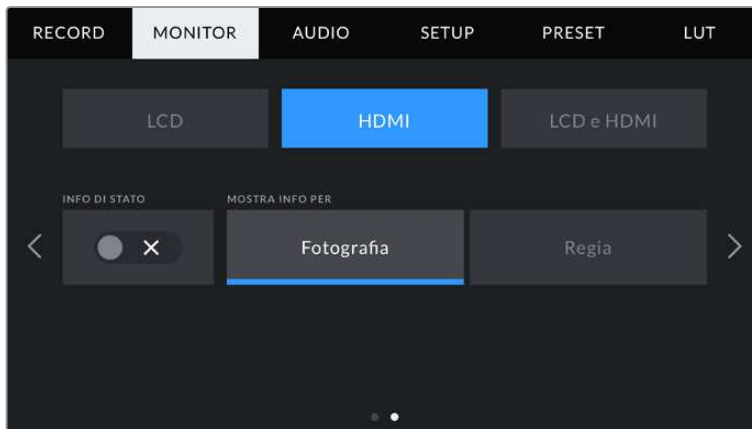
Le informazioni di codec e risoluzione possono prendere il posto dell'istogramma e dei livelli audio di default

Luminosità

Regola la luminosità del touchscreen della camera toccando **LCD > Luminosità** e spostando lo slider verso destra o sinistra.

Monitor – HDMI – Pagina 2

Questa pagina contiene le impostazioni disponibili solo per l'uscita HDMI.



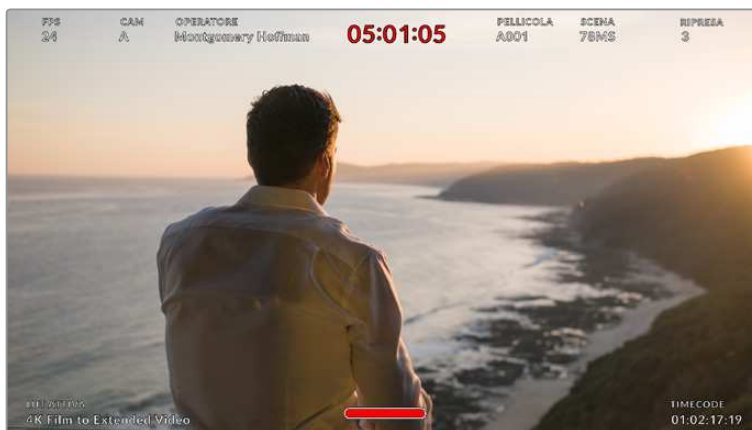
Info di Stato

È utile per nascondere le informazioni di stato e gli indicatori di livello sull'uscita HDMI, mantenendo solo le informazioni necessarie per comporre le immagini o dirigere le riprese. Spunta l'interruttore **Info di Stato** nel menù **HDMI** per visualizzare le informazioni di stato o i livelli audio sull'uscita selezionata. Rimangono visibili le guide di inquadratura, le griglie, l'aiuto messa a fuoco e le strisce zebra, se abilitate.

Per mostrare o nascondere le informazioni di stato e i livelli, sposta il dito verso l'alto o il basso sul touchscreen.

Mostra Info Per

Lo schermo LCD mostra informazioni di stato tra cui ISO, bilanciamento dei bianchi e apertura, utili sia all'operatore che al direttore della fotografia in fase di preparazione delle riprese. Anche l'uscita HDMI si può impostare per mostrare informazioni pertinenti al responsabile della sceneggiatura o alla regista.



Il touchscreen con le informazioni di stato specifiche per la regia sull'uscita HDMI

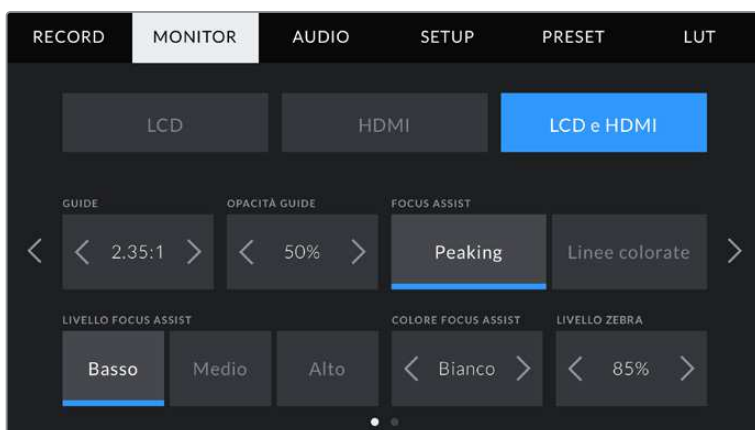
Selezionando **Regia**, puoi visualizzare le informazioni seguenti:

- **FPS**
Mostra il frame rate selezionato sulla camera. Se il frame rate off speed è disabilitato, mostra solo il frame rate del progetto. Se attivo, mostra il frame rate del sensore, seguito dal frame rate del progetto.
- **Camera**
Mostra l'ID della camera impostato nel ciak digitale. Consulta la sezione "Ciak digitale" per maggiori informazioni.
- **Operatore**
Identifica l'operatore secondo le impostazioni del ciak digitale della camera. Consulta la sezione "Ciak digitale" per maggiori informazioni.
- **Durata**
Mostra la durata della clip corrente quando la registrazione è in corso, o della clip registrata precedentemente nel formato ore:minuti:secondi.
- **Pellicola, scena, ripresa**
Mostra il numero di pellicola, scena e ripresa correnti. Per maggiori informazioni sulla denominazione di pellicola, scena e ripresa attuale, consulta la sezione "Ciak digitale".
- **Gamma dinamica**
In basso a sinistra del monitor della camera appare la LUT applicata all'uscita. Se non è applicata nessuna LUT, lo schermo mostra la gamma dinamica Film o Video.
- **Timecode**
In basso a sinistra dell'LCD della camera appare il timecode, nel formato ore:minuti:secondi:fotogrammi.

Monitor – LCD e HDMI – Pagina 1

Selezionando questa opzione accedi alle impostazioni per lo schermo LCD e per l'uscita HDMI. Per esempio, se imposti la safe area al 90%, il parametro si salva sull'LCD e sull'uscita HDMI.

Le impostazioni sono suddivise in due pagine, che contengono i setting seguenti.



Guide

Tocca le frecce ai lati di **Guide** per le opzioni di guide di inquadratura applicabili a tutte le uscite della camera. Per maggiori informazioni, consulta la sezione "Controlli touch". Queste opzioni sono accessibili anche toccando l'overlay del monitor in alto a sinistra del touchscreen. Ricorda che puoi selezionare le guide di inquadratura separatamente per lo schermo LCD o per l'uscita HDMI dai rispettivi menù nella tab Monitor.

Opacità Guide

Tocca le frecce ai lati di **Opacità Guide** per impostare la percentuale di opacità dell'area selezionata dalle guide di inquadratura sullo schermo LCD e sull'uscita HDMI. Le opzioni sono 25%, 50%, 75% e 100%.

Focus Assist

Sono disponibili due modalità di aiuto messa a fuoco: **Peaking** e **Linee colorate**.

Peaking	I margini delle aree a fuoco appaiono extra nitide sul touchscreen o sull'uscita HDMI, ma solo a scopo di monitoraggio. Le parti a fuoco risalteranno sullo sfondo. È una funzione molto intuitiva senza overlay aggiuntivi, specialmente quando si mette a fuoco un soggetto, che appare nettamente separato dagli altri elementi dell'immagine.
Linee colorate	Una linea colorata appare sulle parti dell'immagine a fuoco. È un'opzione più invasiva di Peaking, perché le linee appaiono sopra l'immagine, ma è utile per le scene ricche di elementi e aiuta a ottenere una messa a fuoco di precisione.

Livello Focus Assist

Scegli l'intensità dell'aiuto messa a fuoco sullo schermo LCD e sull'uscita HDMI, tra **Basso**, **Medio** o **Alto**.

NOTA Impostare l'intensità dell'aiuto messa a fuoco non abilita automaticamente il focus assist sullo schermo LCD di Pocket Cinema Camera o sull'uscita HDMI. È necessario abilitare il focus assist individualmente per il touchscreen e l'uscita HDMI nella tab Monitor.

SUGGERIMENTO Il livello ottimale di focus assist dipende dalle condizioni di ripresa. Per esempio, imposta un livello alto per catturare i dettagli dei visi nei primi piani. Diminuiscilo se inquadri una distesa di foglie o un muro di mattoni, per evitare che gli input visivi distraggano troppo dall'immagine.

Colore Focus Assist

Cambia il colore delle linee di aiuto messa a fuoco **Linee colorate**. È un'opzione utile per distinguerle facilmente all'interno dell'immagine. Scegli tra **Bianco**, **Rosso**, **Verde**, **Blu** e **Nero**.

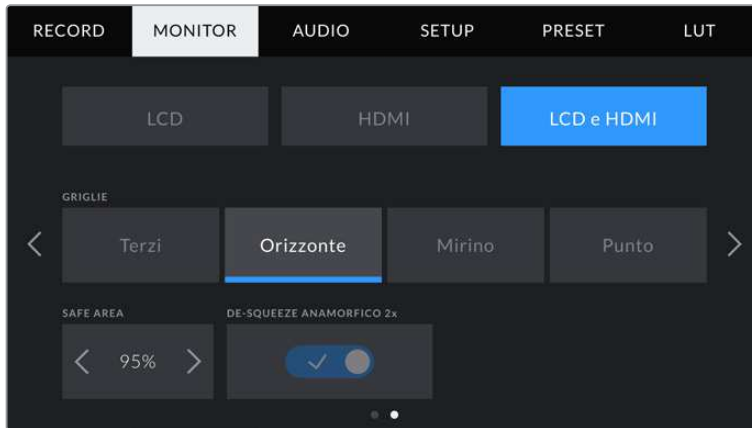
Livello Zebra

Imposta il livello di esposizione che determina la comparsa delle strisce zebra toccando le frecce laterali. Il livello si imposta in incrementi del 5% tra le percentuali di 75% e 100%.

Per maggiori informazioni, consulta la sezione "Controlli touch" del manuale alla voce **Zebra**.

Monitor – LCD e HDMI – Pagina 2

La seconda pagina di impostazioni di monitoraggio sullo schermo LCD e sull'uscita HDMI include le opzioni seguenti.



Pagina 2 del menù di monitoraggio su entrambi LCD e HDMI

Griglie

Seleziona le griglie dei terzi **Terzi**, **Orizzonte**, **Mirino** o punto centrale **Punto** sullo schermo LCD e sull'uscita HDMI.

Per maggiori informazioni, consulta la sezione "Controlli touch" del manuale alla voce *Griglie*.

Safe area

Per regolare le dimensioni dell'overlay della safe area sullo schermo LCD e sull'uscita HDMI, tocca le frecce ai lati della percentuale. Questa indica la dimensione della safe area in relazione all'inquadratura. Le emittenti solitamente richiedono una safe area del 90%.

De-squeeze Anamorfo 1.33x

Pocket Cinema Camera è in grado di appiattire orizzontalmente le immagini sullo schermo LCD e sull'uscita HDMI. Per i formati 16:9 puoi abilitare il ridimensionamento **Desqueeze Anamorfo 1.33x**. Quando registri in 3.7K nel formato anamorfo su Pocket Cinema Camera 4K, la camera applica automaticamente l'appiattimento anamorfo 2x.

Impostazioni audio

La tab Audio contiene le impostazioni per gestire l'audio e monitorarlo sulla camera.

È suddivisa in due pagine, a loro volta divise tra canale 1 e canale 2.

Puoi assegnare ogni canale audio a una fonte differente, e regolare vari parametri come il controllo del gain.

Audio – Pagina 1

La prima pagina del menù audio include i setting seguenti:



Fonte canale 1 e 2

Seleziona la fonte audio per ogni canale. Qui sotto sono descritte le opzioni disponibili.

- **Mic camera - canale dx o sx**
Registra l'audio dai microfoni interni della camera.
- **Mic camera - mono**
Crea un canale singolo dai canali destro e sinistro del microfono integrato della camera.
- **XLR - linea**
Utilizza l'ingresso XLR della camera per registrare audio di linea.
- **XLR - mic**
Utilizza l'ingresso XLR della camera per registrare audio microfonic. Se hai abilitato l'alimentazione phantom, e l'ingresso XLR è impostato su **Mic**, vedrai apparire anche l'indicatore **+48V**. È essenziale accertarsi che l'interruttore **+48V** sia disabilitato una volta disconnesso il microfono ad alimentazione phantom.
- **Canale sx 3,5 mm - linea**
Utilizza solo il canale sinistro dell'ingresso 3,5 mm come audio di linea.
- **Canale dx 3,5 mm - linea**
Utilizza solo il canale destro dell'ingresso 3,5 mm come audio di linea.
- **Mono 3,5 mm - linea**
Crea un mix mono del canale destro e sinistro dall'ingresso 3,5 mm come audio di linea.
- **Canale sx 3,5 mm - mic**
Utilizza solo il canale sinistro dell'ingresso 3,5 mm come audio microfonic.
- **Canale dx 3,5 mm - mic**
Utilizza solo il canale destro dell'ingresso 3,5 mm come audio microfonic.
- **Mono 3,5 mm - mic**
Crea un mix mono del canale destro e sinistro dall'ingresso 3,5 mm come audio microfonic.
- **Nessuna**
Disabilita il canale audio.

NOTA Se selezioni l'ingresso 3,5 mm come sorgente audio, i canali 1 e 2 devono essere entrambi microfonic o di linea. Quindi selezionando Canale sx 3,5 mm - linea come sorgente audio per il canale 1, le opzioni disponibili per l'ingresso 3,5 mm per il canale 2 saranno di linea: Canale sx 3,5 mm - linea, Canale dx 3,5 mm - linea, e Mono 3,5 mm - linea. L'opzione di livello microfonico è disabilitata.

Livello Canale 1 e 2

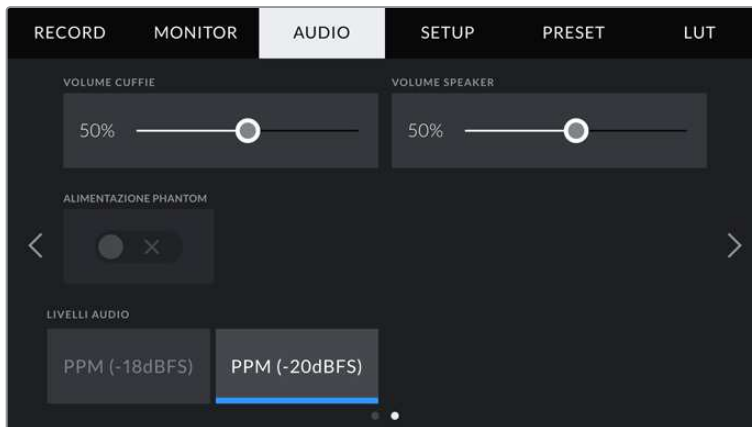
Gli indicatori dei livelli audio aiutano a regolare l'audio correttamente.

Gain canale 1 e 2

Sposta gli slider per regolare i livelli audio delle fonti per i canali 1 e 2.

Audio – Pagina 2

La seconda pagina del menù audio include i setting seguenti:



Volume Cuffie

Sposta lo slider a destra o a sinistra per regolare il volume del jack 3,5 mm per cuffie.

Volume Speaker

Sposta lo slider a destra o a sinistra per regolare il volume dello speaker integrato.

Alimentazione Phantom XLR

Sfrutta l'alimentazione phantom di 48V dell'ingresso XLR per alimentare microfoni senza alimentazione propria. Se hai selezionato l'ingresso audio XLR, spunta l'interruttore per abilitare l'alimentazione phantom sul canale desiderato.

Livelli Audio

Seleziona lo standard dei livelli di picco.

Valore dei livelli audio	Standard
PPM (-20 dBFS)	SMPTE RP.0155
PPM (-18 dBFS)	EBU R.68

NOTA Connetti il cavo XLR prima di abilitare l'alimentazione phantom. Disabilita l'alimentazione phantom quando disconnetti il microfono con alimentazione phantom, perché inviare alimentazione phantom all'attrezzatura connessa che non la richiede potrebbe danneggiarla. La carica continua per qualche minuto dopo la disconnessione dell'alimentazione phantom.

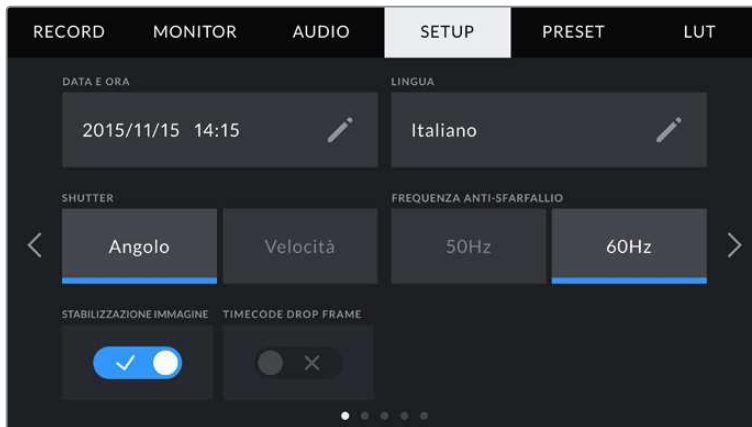
Consigliamo di attendere qualche minuto dalla disconnessione dell'alimentazione phantom prima di connettere microfoni o dispositivi XLR con alimentazione propria.

Impostazioni generali

La tab **Setup** contiene impostazioni relative all'identificazione di Pocket Cinema Camera, alla versione del software, e ai pulsanti funzione, quindi non strettamente legate alla registrazione o al monitoraggio. La tab è composta da 4 pagine, accessibili con le frecce laterali o sfogliando col dito verso destra o sinistra sul touchscreen.

Setup – Pagina 1

La prima pagina delle impostazioni generali della camera include i setting seguenti.

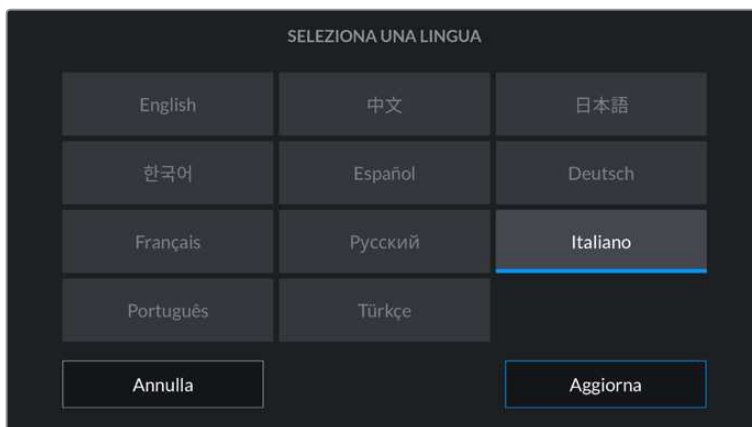


Data e ora

Imposta data e ora sulla camera. Il formato appare come anno/mese/giorno e ore:minuti. Data e ora sono utilizzati per rilevare il timecode ora del giorno, in assenza di timecode esterno.

Lingua

Pocket Cinema Camera supporta 11 lingue: inglese, cinese, giapponese, coreano, spagnolo, tedesco, francese, russo, italiano, portoghese, e turco.



All'avvio del sistema, l'interfaccia mostra una pagina con tutte le lingue disponibili.

Per selezionare una lingua:

- 1 Tocca la casella della lingua e seleziona quella desiderata.
- 2 Seleziona **Aggiorna** per confermare.

Shutter

È possibile visualizzare le informazioni di shutter come **Angolo** dell'otturatore o **Velocità** dell'otturatore.

Se scegli l'angolo dell'otturatore, lo shutter si conforma al frame rate. Per esempio, il frame rate non incide sull'effetto del mosso di un angolo di 180 gradi.

Se invece lavori con la velocità dell'otturatore, a quest'ultimo viene assegnato un valore assoluto determinato indipendentemente dal frame rate. Quindi se cambi il frame rate, si otterrà un risultato diverso.

Per esempio, quando registri a 24 fps, la velocità dell'otturatore di 1/48 di secondo produce un effetto del mosso ottimale equivalente a un angolo dell'otturatore di 180 gradi. Ma se cambi il frame rate a 48 fps con la velocità dell'otturatore di 1/48 di secondo, si produce l'equivalente di un angolo dell'otturatore di 360 gradi, variando l'effetto del mosso. In questo esempio, quando cambi il frame rate a 48 fps, è necessario cambiare la velocità dell'otturatore a 1/96 di secondo per ottenere lo stesso effetto di un angolo dell'otturatore di 180 gradi.

Frequenza anti-sfarfallio

Cambia la frequenza della corrente della camera per calcolare le impostazioni dell'otturatore senza sfarfallio.

È specialmente utile quando si riprende sotto luci artificiali. Pocket Cinema Camera calcola automaticamente l'angolo dell'otturatore senza sfarfallio per il frame rate utilizzato, e suggerisce fino a tre valori di shutter. I diversi valori dipendono dalla frequenza della fonte utilizzata per alimentare le luci. Solitamente nei paesi che utilizzano PAL la frequenza è 50Hz, e in quelli che utilizzano NTSC, 60Hz. Tocca {50Hz} o {60Hz} per impostare la frequenza adatta alla tua regione.

NOTA Le caratteristiche delle diverse fonti di luce potrebbero causare sfarfallio anche con il valore suggerito. Consigliamo di testare sempre la registrazione se l'illuminazione non è stabile.

Stabilizzazione immagine

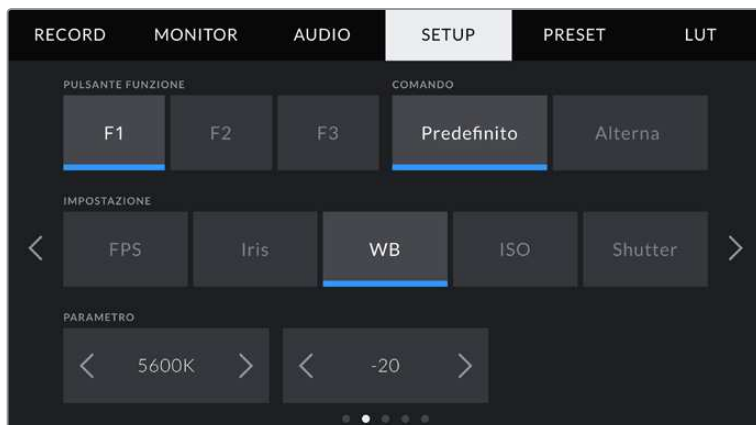
Spunta questo interruttore su Pocket Cinema Camera 4K per abilitare o disabilitare la stabilizzazione dell'immagine degli obiettivi senza una leva fisica.

Drop frame - Timecode

Abilita questa opzione se usi un frame rate di 29.97 o 59.94 in un progetto nel formato NTSC. Questa opzione salta alcuni fotogrammi dal timecode a intervalli regolari, per mantenere il timecode accurato nonostante il fatto che ogni secondo non contenga un numero intero di fotogrammi con i frame rate del NTSC.

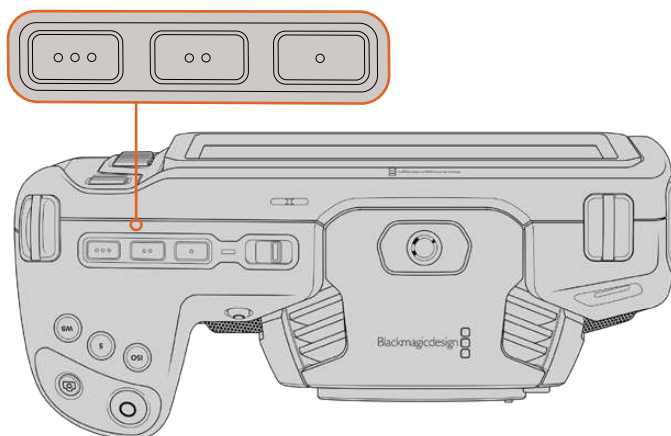
Setup – Pagina 2

La seconda pagina delle impostazioni generali della camera include i setting seguenti.



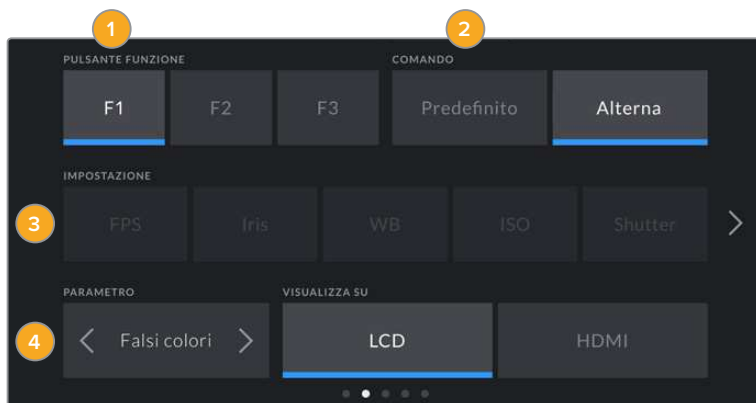
Pulsante Funzione

I pulsanti funzione sulla parte superiore di Pocket Cinema Camera sono contrassegnati da uno (F1), due (F2) e tre (F3) puntini. Puoi assegnare a ciascuno una funzione di uso frequente, per renderla facilmente accessibile.



I 3 pulsanti funzione sono rappresentati con puntini, e si trovano sul lato superiore della camera

Per configurare i pulsanti funzione, seleziona il pulsante, e assegnagli azione, funzione, e parametro.



1 Pulsante 2 Comando 3 Funzione 4 Parametro

Comando

Una volta selezionato il pulsante, scegli la funzione da assegnare. Le opzioni disponibili sono:

Predefinito	<p>Premendo il pulsante funzione si richiama un'impostazione con un parametro predefinito.</p> <p>Per salvare un parametro predefinito, seleziona il pulsante F1 > Comando > Predefinito e la Impostazione desiderata, per esempio Iris.</p> <p>Poi da Parametro scegli il valore 8.0 toccando le frecce. Ora quando premi il pulsante F1 selezioni l'apertura f8 del diaframma. Premilo di nuovo per tornare al setting precedente.</p>
Alterna	<p>Premendo il pulsante si abilita o disabilita una determinata impostazione. L'Impostazione non è selezionabile in questa modalità. Tocca le frecce in Parametro per selezionare tra le seguenti opzioni: frame rate del sensore Rec off speed, OIS, Clean feed, LUT 3D, Guide, aiuto messa a fuoco Focus assist, Falsi colori e Zebra.</p> <p>La funzione Alterna selezione consente anche di selezionare l'uscita desiderata per l'impostazione scelta. Tocca LCD o HDMI o entrambi per selezionarle. In alcuni casi, per esempio con registrazione off speed, la funzione si applica a entrambe le uscite, quindi non è possibile selezionarle singolarmente.</p>

Setup – Pagina 3

La terza pagina delle impostazioni generali include i setting seguenti.



LED Tally

Sul lato anteriore della camera c'è una spia tally, che si illumina di rosso quando la registrazione è in corso. Abilita o disabilita questa spia con l'interruttore.

Luminosità

Seleziona la luminosità della spia di tally tra **Bassa**, **Media** e **Alta**.

ID Hardware

Mostra il codice di identificazione a 8 caratteri della tua Pocket Cinema Camera. Una versione più lunga di questo codice (32 caratteri) è inclusa nei metadati del video Blackmagic RAW e ProRes. È utile per identificare la provenienza esatta delle immagini.

Software

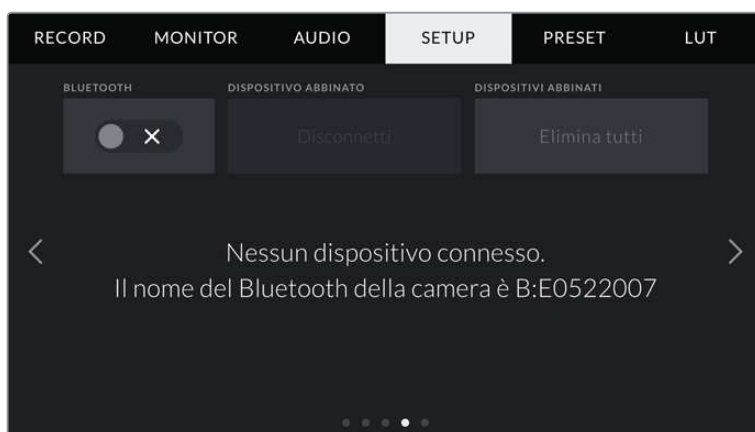
Mostra la versione del software installato. Per tutti i dettagli su come aggiornare il software, consulta la sezione "Utilità Blackmagic Camera Setup".

Riproduci

Mostra le opzioni di riproduzione delle clip sul touchscreen. **Tutte le clip** riproduce tutte le clip sulla scheda in ordine sequenziale, **Una clip** una clip alla volta. Selezionando la funzione di riproduzione continua per tutte le clip riproduce tutte le clip della scheda di memoria, poi ricomincia dalla prima. Lo stesso vale per la clip singola, selezionando l'opzione di loop riproduce continuamente una sola clip.

Setup – Pagina 4

La quarta pagina delle impostazioni generali della camera include i setting del Bluetooth®.



Il nome del Bluetooth è composto dalla lettera della camera inserita nel ciak digitale, seguita dal codice di identificazione hardware a 8 cifre della camera

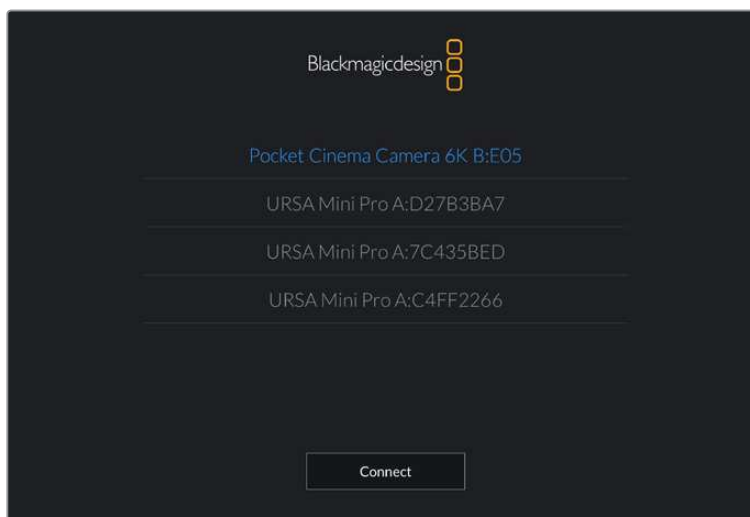
Bluetooth®

Gestisci la camera senza cavi da dispositivi portatili con la tecnologia Bluetooth. Con la app di controllo Blackmagic Camera Control, puoi utilizzare un iPad per cambiare le impostazioni, modificare i metadati, e avviare/terminare la registrazione. Abilita o disabilita questa funzione toccando l'interruttore **Bluetooth** nella tab Setup. Se abilitata, la camera è gestibile tramite Bluetooth fino a 9 metri di distanza. Poiché la camera utilizza gli stessi comandi del protocollo Blackmagic SDI Camera Control Protocol, puoi creare applicazioni di controllo su misura tramite Bluetooth, e gestire qualsiasi parametro della camera in modalità remota, tra cui monitoraggio, audio, correzione colore DaVinci Resolve integrata alla camera, e controllo obiettivo.

Per maggiori informazioni consulta il documento *Blackmagic Camera Control* disponibile alla pagina www.blackmagicdesign.com/it/developer.

Per abbinare camera e iPad per la prima volta:

- 1 Abilita questa funzione spuntando l'interruttore **Bluetooth** nella tab Setup.
- 2 Apri la app Blackmagic Camera Control e seleziona la Pocket Cinema Camera a cui abbinarla. Le camere disponibili appaiono con il nome del modello, seguito dalla lettera della camera e dal numero di identificazione. Per esempio, Pocket Cinema Camera 4K appare come A:A0974BEA.



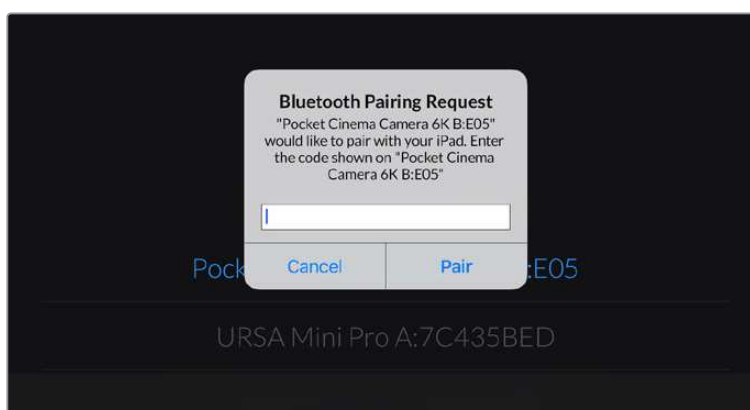
Seleziona la Pocket Cinema Camera a cui abbinare la app

NOTA Quando installi la app Blackmagic Camera Control per la prima volta, apparirà un messaggio di richiesta di accesso alla tua posizione. In *Consenti di accedere alla posizione* seleziona *Mentre usi l'app* per includere la posizione del GPS nei metadati delle clip mentre usi la app. Blackmagic DaVinci Resolve 15 e successivi sono in grado di leggere queste informazioni.

Seleziona *Mai* se preferisci non generare il geotag.

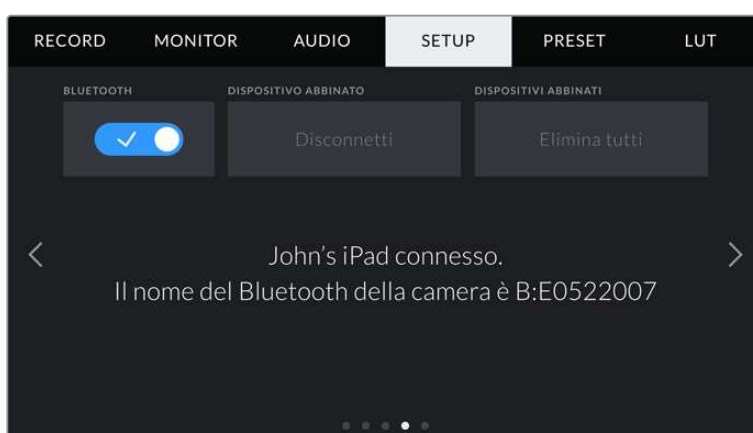
Per cambiare le impostazioni, vai su *Impostazioni > Privacy > Localizzazione > Camera Control* del tuo iPad.

- 3 La prima volta che abbinai iPad e camera, Blackmagic Camera Control App richiede un codice di 6 caratteri, che appare sullo schermo LCD della camera. Digita il codice sull'iPad e tocca **Abbina**.

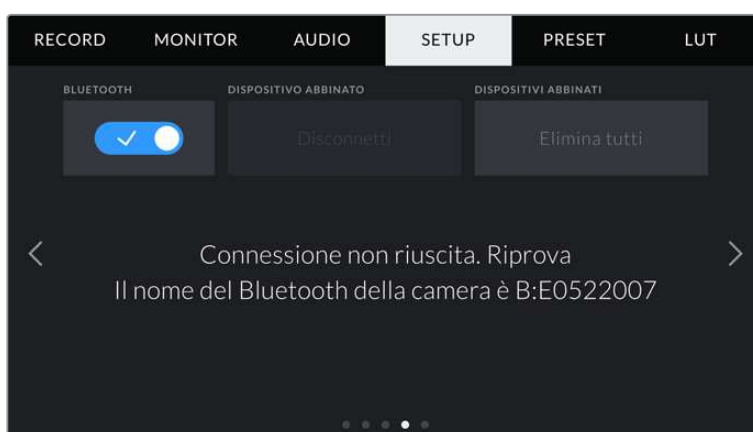




- 4 Quando la camera è connessa all'iPad, un messaggio conferma che è stata abbinata.



- 5 Se l'operazione non è stata completata correttamente, appare un messaggio di errore. In questo caso riprova ad abbinarli.



NOTA Per motivi di sicurezza, consigliamo di disabilitare la funzione Bluetooth se non si sta utilizzando per controllare Pocket Cinema Camera.

Dispositivo Abbinato

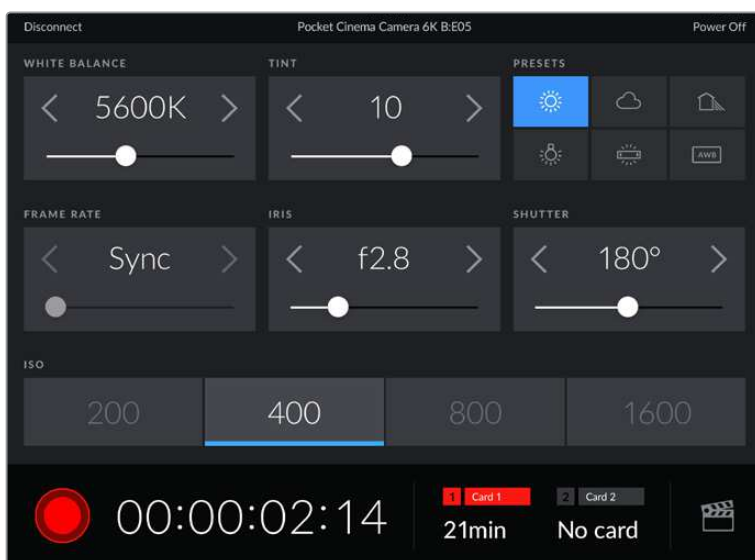
Seleziona **Disconnetti** per dissociare Pocket Cinema Camera dall'iPad al quale è abbinata.

Dispositivi Abbinati

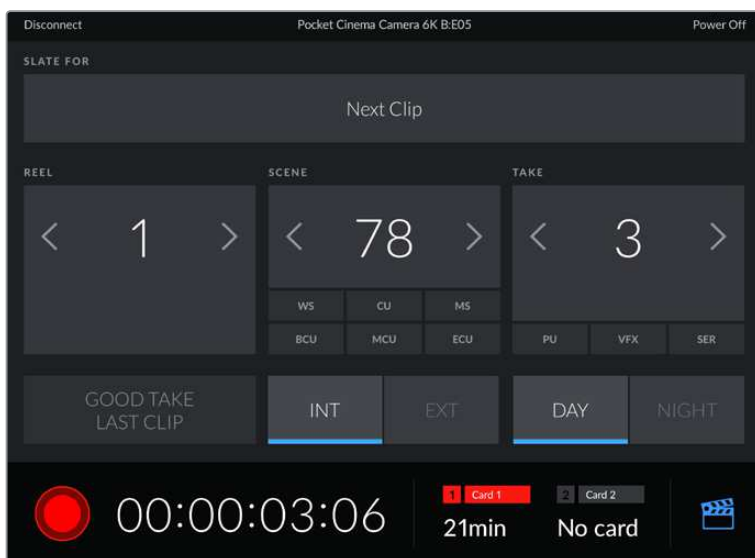
Seleziona **Elimina tutti** per cancellare la lista di dispositivi ai quali la camera è stata abbinata.

Controllare la camera con Blackmagic Camera Control App

Una volta abbinati iPad e camera, usa la app per iPad per cambiare le impostazioni della camera, modificare i metadati, e avviare/terminare la registrazione.



La schermata della app Blackmagic Camera Control abbinata alla camera per regolare i parametri e avviare la registrazione

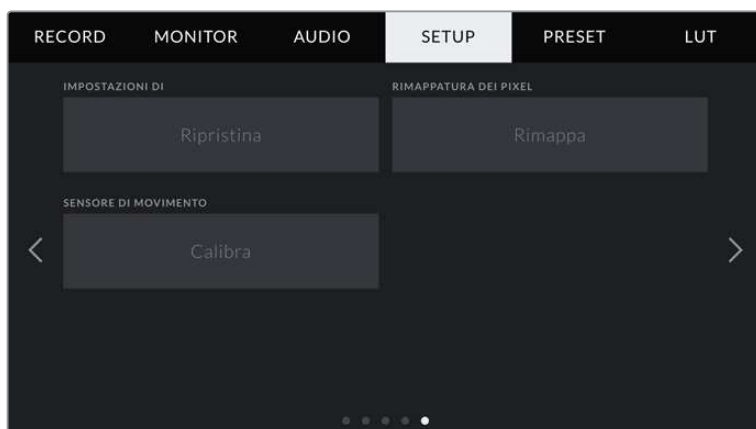


Tocca l'icona del ciak in basso a destra per accedere al ciak digitale e aggiornarlo

Pocket Cinema Camera utilizza la tecnologia Bluetooth LE per collegarsi ai dispositivi di controllo wireless. È lo stesso protocollo utilizzato dai dispositivi mobili, con un consumo della batteria minimo.

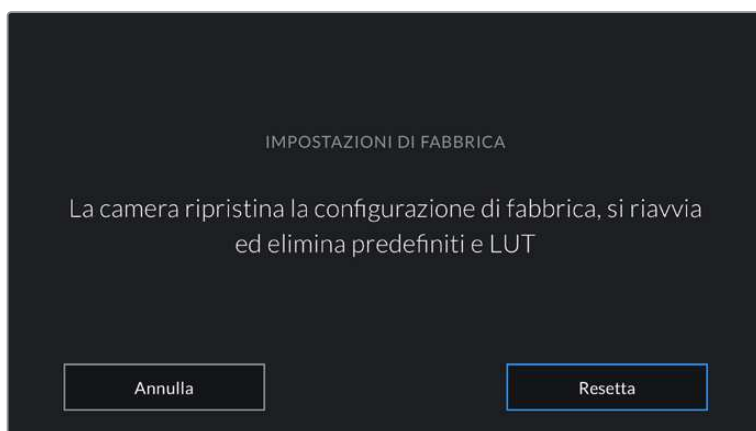
Setup – Pagina 5

La quinta pagina delle impostazioni generali offre i controlli per tornare alle impostazioni di fabbrica, rimappare i pixel e calibrare il sensore di movimento.



Impostazioni di fabbrica

Per tornare alle impostazioni di fabbrica, tocca **Ripristina**. Si aprirà la pagina di conferma. Tocca **Ripristina** per confermare, e la camera resetta tutte le impostazioni, eliminando i predefiniti e le LUT presenti. Per questo è consigliabile esportare i predefiniti in un supporto di memoria come copia di backup prima di tornare alle impostazioni di fabbrica. A seguito del resettaggio, puoi ripristinare i predefiniti in un attimo, importandoli dal supporto di memoria. Se si ripristinano le impostazioni di fabbrica, l'indicatore Orizzonte deve essere ricalibrato.



Quando selezioni Impostazioni di fabbrica > Ripristina per resettare la camera, si apre la pagina di conferma

Rimappatura dei pixel

Il sensore CMOS integrato di Pocket Cinema Camera è composto da milioni di pixel che reagiscono alla luce. Nel tempo, a seguito della calibrazione del sensore iniziale, alcuni pixel possono apparire visibilmente più luminosi, un fenomeno comune chiamato 'hot pixel'. Tutti i sensori fotografici digitali, indipendentemente dalla marca, subiranno questo effetto.

Per eliminare questo artefatto indesiderato, utilizza la funzione di calibrazione automatica della camera.

Per cominciare metti il coperchio all'obiettivo e premi il pulsante **Rimappa**. La calibrazione impiega circa un minuto.

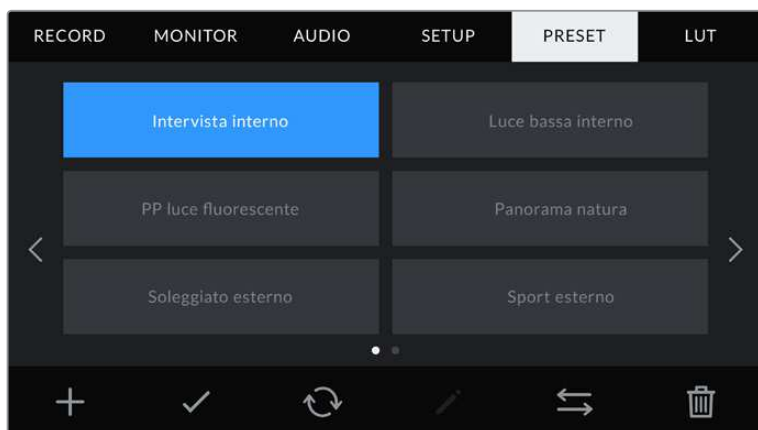
Calibrazione del sensore di movimento

Per calibrare l'indicatore Orizzonte, poggia la camera su una superficie piana e tocca **Calibrazione del Sensore di Movimento > Calibra**. È essenziale mantenere la camera perfettamente stabile durante la calibrazione. La calibrazione sarà completata in circa 5 secondi.

Predefiniti

La tab **Preset** include fino a 12 predefiniti per Pocket Cinema Camera. È molto utile quando si utilizza la stessa camera per più progetti. Per esempio, per girare un documentario o un video musicale, i setting sono molto diversi. Salvando le impostazioni di un progetto o di una ripresa particolare su **Preset**, puoi richiamarle in qualsiasi momento per usarle su un progetto simile. Sono disponibili 12 slot per predefiniti.

Inoltre è possibile importare e scaricare i predefiniti, una funzione utilissima per le produzioni multicamera. Basta salvare il predefinito su Pocket Cinema Camera, e poi esportarlo su tutte le Pocket Cinema Camera sul set.



La tab Preset facilita la selezione dei predefiniti precedentemente salvati

NOTA La memoria interna della camera salva fino a 12 predefiniti.

Pulsanti dei predefiniti

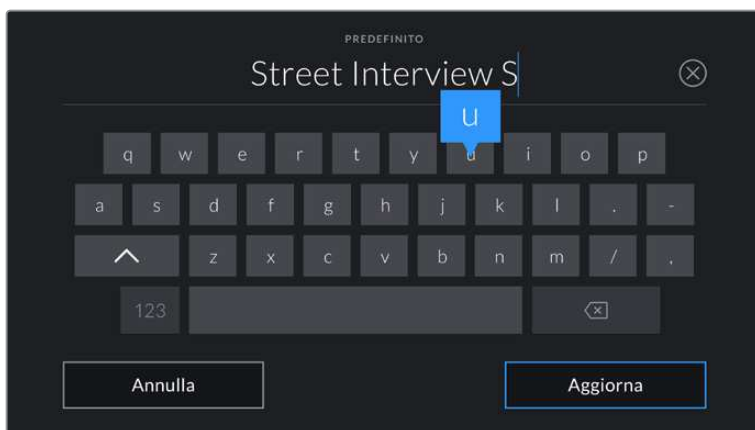
I pulsanti icona in basso al menù **Preset** corrispondono alle seguenti funzioni:

				
Aggiungi	Carica	Aggiorna	Gestisci	Elimina

Salvare e caricare i predefiniti

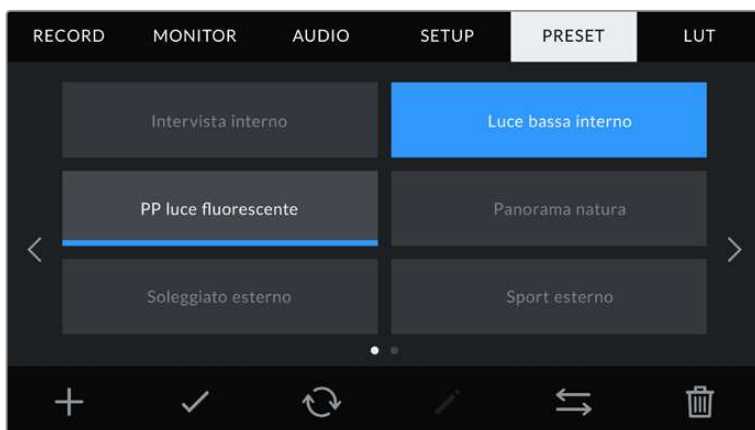
Per creare un nuovo predefinito, tocca l'icona **Aggiungi** (+). Usa la tastiera che appare per assegnare un nome al predefinito. Digita il nome e tocca **Aggiorna** per salvare le impostazioni della camera correnti su quel predefinito.

Se Pocket Cinema Camera ha già un predefinito con lo stesso nome, puoi sovrascrivere quello esistente o mantenere entrambi.



Tocca l'icona + nella tab Preset per dare un nome al predefinito

Una volta salvato il predefinito, tocca sul suo nome nel menù Preset per selezionarlo, poi tocca la spunta.



Seleziona un predefinito e l'icona della spunta per caricarlo. Il campo del predefinito diventa blu, mentre quello correntemente in uso visualizza una sottile linea blu in basso

Tocca l'icona circolare per aggiornare il predefinito corrente sulla camera con uno nuovo. Apparirà una finestra di conferma, tocca **Aggiorna** per confermare.

Importare i predefiniti

Tocca l'icona delle due frecce orizzontali in basso al menù di **Preset**, poi **Importa predefinito** > **Importa** per confermare. Si apre il menù di importazione. Se il predefinito desiderato non si trova nella scheda o drive in utilizzo, puoi selezionare un altro supporto di memoria in alto al touchscreen. Puoi importare i predefiniti da un'unità flash USB C, una scheda SD o CFast.

La camera ricerca la root e la cartella Presets sulla scheda o sul drive selezionato, e mostra la lista dei predefiniti disponibili. I predefiniti salvati fuori dalla cartella sulla scheda non sono visibili.

Tocca il predefinito per selezionarlo, poi **Importa** per confermare e copiarlo sul primo slot disponibile della camera.

NOTA Se tutti i 12 slot per predefiniti della camera sono pieni, è necessario eliminare un predefinito esistente per importarne uno nuovo.

Se la camera contiene già un predefinito con lo stesso nome, ti verrà chiesto se desideri sovrascrivere quello esistente o mantenerli entrambi. In alto a destra dello schermo trovi il numero degli slot rimanenti per i predefiniti sulla tua camera. Puoi importare un numero massimo di predefiniti secondo il numero di slot rimanenti.

Esportare i predefiniti

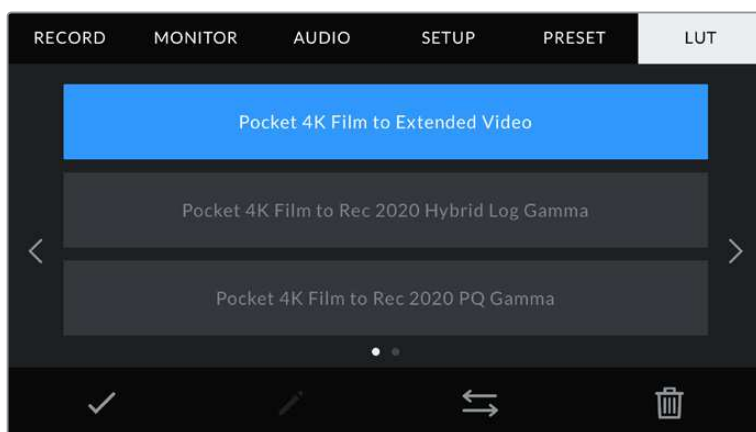
Per esportare un predefinito su un'unità flash USB C o su una scheda di memoria, selezionalo e poi tocca l'icona delle frecce orizzontali Gestisci. Ora tocca **Esporta predefinito selezionato** e il supporto di memoria dove vuoi esportarlo. Se esiste già un predefinito con lo stesso nome, scegli se sovrascrivere quello esistente o mantenerli entrambi. La camera esporta il predefinito nella cartella *Presets*.

Eliminare i predefiniti

Per cestinare un predefinito, toccalo e poi seleziona l'icona del cestino. Tocca **Elimina** per confermare.

LUT 3D

Nell'ultima tab **LUT** del menù impostazioni puoi importare, esportare, e applicare le LUT 3D alle uscite della camera.



Seleziona una LUT 3D dalla tab LUT

NOTA introduttiva sulle LUT 3D

Le LUT 3D si possono visualizzare sullo schermo LCD e sull'uscita HDMI della camera. Le LUT comunicano alla camera quale colore e luminanza visualizzare in uscita per il colore e la luminanza in entrata. Per esempio, una LUT può trasformare un blu piatto catturato dalla camera in un blu saturo e vivace sullo schermo. Questa funzione è utile quando si cattura nei formati Blackmagic RAW o con gamma dinamica Film, intenzionalmente "piatti" e non saturati. Applicando una LUT, potrai visualizzare le immagini con il look semi-definitivo post correzione colore.

Le LUT 3D si possono acquistare da vari siti online, oppure creare facilmente con DaVinci Resolve o con altri programmi di correzione colore. Su Pocket Cinema Camera puoi salvare un massimo di dieci LUT 3D a 17 o 33 punti fino a 1.5 MB l'una. Una volta caricate, puoi selezionare una LUT per lo schermo LCD o per l'uscita HDMI.

Pocket Cinema Camera supporta le LUT 3D a 33 punti nel formato .cube (create con DaVinci Resolve) e le LUT 3D a 17 punti convertite al formato .cube di Resolve con un programma di conversione LUT. La camera elabora le LUT 3D con interpolazione tetraedrica di alta qualità.

SUGGERIMENTO Consulta la sezione "Impostazioni di monitoraggio" per maggiori informazioni sulle LUT.

NOTA Di default, Pocket Cinema Camera non registra le LUT sulle clip, ma è possibile abilitare questa funzione.

Per esempio, è un'opzione utile quando non c'è tempo per correggere le clip in post produzione, o se è necessario passarle direttamente al cliente o alla editor.

Se applichi una LUT per visualizzare l'anteprima sul set, le informazioni della LUT vengono salvate nei metadati delle clip. DaVinci Resolve può mostrare le informazioni della LUT utilizzata sul set nella tab dei metadati, una funzione utile per i coloristi.

LUT integrate

Pocket Cinema Camera include una serie di LUT integrate che permettono di testare diversi look sulle immagini quando riprende in gamma Film, o in Blackmagic RAW.

Ogni camera integra LUT specifiche al sensore:

Pocket 4K Film to Extended Video / Pocket 6K Film to Extended Video

Visualizza una gamma dinamica più ampia della LUT *Pocket 4K Film to Video* o *Pocket 6K Film to Video*, e applica un lieve contrasto con uno stacco armonioso nelle zone di luce.

Pocket 4K Film to Rec 2020 Hybrid Log Gamma / Pocket 6K Film to Rec 2020 Hybrid Log Gamma

Visualizza immagini ibride tra lo spazio colore Rec.709 e Log.

Pocket 4K Film to Rec 2020 PQ Gamma / Pocket 6K Film to Rec 2020 PQ Gamma



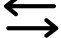

Visualizza una curva gamma basata sugli elementi percepibili a occhio nudo, per una codifica efficiente delle immagini HDR.

Pocket 4K Film to Video / Pocket 6K Film to Video

È simile allo standard Rec.709 per il video ad alta definizione, e ha un alto livello di contrasto e saturazione. Questa opzione è utile quando usi Pocket Cinema Camera in congiunzione con altre camere broadcast operanti con lo spazio colore Rec.709.

Pulsanti delle LUT

I pulsanti icona in basso alla tab **LUT** corrispondono alle seguenti funzioni:

			
Carica	Modifica	Gestisci	Elimina

Importare le LUT

Tocca l'icona delle due frecce orizzontali in basso al menù **LUT**, poi **Importa LUT** > **Importa** per confermare. Si aprirà il menù di importazione. Se il predefinito desiderato non si trova nella scheda o nel drive in utilizzo, puoi selezionare un altro supporto di memoria in alto allo schermo LCD. Puoi importare le LUT da un'unità flash USB C, una scheda SD o CFast.

La camera ricerca la root e la cartella *3DLUTs* sulla scheda o drive selezionato, e mostra la lista delle LUT disponibili. Le LUT salvate fuori dalla cartella sulla scheda non sono visibili.

Tocca la LUT per selezionarla, poi **Importa** per confermare e copiarla sul primo slot disponibile della camera.

NOTA Se tutti i 10 slot per le LUT 3D della camera sono pieni, è necessario eliminare una LUT esistente per importarne una nuova.

Se la camera contiene già una LUT puoi scegliere se sovrascrivere la LUT esistente o mantenerle entrambe. In alto a destra dello schermo trovi il numero degli slot rimanenti per le LUT sulla tua camera. Puoi importare tante LUT quanto il numero di slot rimanenti.

NOTA Se hai difficoltà nell'importare una LUT sulla camera, è possibile che sia a causa delle sue dimensioni. Usa un editor per LUT come Lattice o l'editor di testo del computer per controllarne le dimensioni. L'etichetta *LUT_3D_SIZE* mostra la dimensione della LUT. Se non è 17 o 33 punti, utilizza Lattice per ridimensionare la LUT 3D a 17 punti.

Applicare una LUT

Una volta salvata la LUT sulla camera, tocca la tab **LUT** e l'icona della spunta Carica. Ora la LUT è disponibile su tutte le uscite della camera, Per visualizzare la LUT sullo schermo LCD o sull'uscita HDMI, vai alla tab Monitor e spunta l'interruttore **LUT 3D**. Consulta la sezione "Impostazioni di monitoraggio" per maggiori informazioni.

Esportare le LUT

Per esportare una LUT su un'unità flash USB C o su una scheda di memoria, selezionala e poi tocca l'icona delle frecce orizzontali Gestisci. Ora tocca **Esporta LUT** e il supporto di memoria dove vuoi esportare la LUT. Se esiste già una LUT con lo stesso nome, scegli se sovrascrivere quella esistente o mantenerle entrambe. La camera esporta la LUT nella cartella '3DLUTs'.

Eliminare le LUT

Per eliminare le LUT che non servono più, o per far spazio ad altre LUT, seleziona quella desiderata e tocca l'icona del cestino. Tocca **Elimina** per confermare.

LUT 3D integrate

Quando si applica una LUT 3D alle riprese in Blackmagic RAW su Pocket Cinema Camera, la LUT viene salvata nel file Blackmagic RAW registrato. Il nome della LUT 3D apparirà nell'intestazione del file .braw, e si può applicare alle immagini in fase di post produzione senza dover gestire un altro file.

Quando i file Blackmagic RAW raggiungono la postazione di montaggio o di correzione colore, basta quindi leggere il nome del file per capire se e quale LUT è stata usata durante le riprese, riducendo il margine di errore. Un altro vantaggio è la possibilità di lavorare sui file in fase di montaggio o grading con o senza la LUT 3D in qualsiasi momento.

Quando spunti l'interruttore **Applica LUT nel file** nella terza pagina del menù di registrazione **Record** della camera, la clip registrata si apre sul Blackmagic RAW Player e su DaVinci Resolve con la LUT 3D applicata.

La LUT si può abilitare/disabilitare con una semplice opzione On/Off, ma accompagnerà sempre il file Blackmagic RAW perché è salvata nel file stesso. Su DaVinci Resolve, nella sezione RAW troverai l'interruttore Apply LUT per abilitare/disabilitare la LUT 3D nel file Blackmagic RAW.

È lo stesso setting *Applica LUT nel file* che trovi nell'interfaccia della camera. In questo modo è possibile utilizzare la LUT sulla camera durante le riprese, e disabilitarla in qualsiasi momento su DaVinci Resolve con Apply LUT > Off.

Inserire i metadati

I metadati sono le informazioni salvate all'interno della clip, per esempio il numero di ripresa, le impostazioni della camera e altri dettagli. Sono essenziali in fase di post produzione per organizzare ed elaborare le clip. Per esempio, il numero di pellicola, scena e ripresa sono utili per raggruppare e catalogare le clip in modo logico, e le informazioni dell'obiettivo consentono di eliminare automaticamente la distorsione o allineare i VFX allo sfondo.

Pocket Cinema Camera salva automaticamente i metadati di ogni clip, incluse le impostazioni della camera, il timecode, la data e l'ora. Per inserire manualmente altre informazioni puoi usare il ciak digitale.

Ciak

Passa il dito verso destra o sinistra sul touchscreen per aprire il ciak digitale.

Il ciak è diviso in due tab: **Clip** e **Progetto**. La tab Clip contiene diverse informazioni, che possono variare da clip a clip, e la tab Progetto i dettagli condivisi da tutte le clip, per esempio il nome del progetto, della regista, e l'ID della camera e dell'operatore.

SUGGERIMENTO I metadati inseriti nel ciak digitale sono visibili sull'uscita HDMI in modalità Regista. Consulta la sezione "Impostazioni di monitoraggio" di questo manuale per maggiori informazioni.

Metadati della tab Clip

Questo menù varia leggermente se si è in modalità standby o in modalità riproduzione. Se la camera è in standby e pronta alla registrazione, i metadati inseriti nella tab Clip si salvano nella clip registrata successivamente (eccetto per l'etichetta **Ripresa buona ultima clip** che si applica all'ultima clip registrata). Se la camera riproduce il materiale girato, appare l'etichetta **Ripresa buona** sulla clip corrente.



Quando la camera è in fase di riproduzione, Dati Obiettivo identifica la clip a cui si riferisce il ciak digitale, e mostra l'etichetta Ripresa Buona. In modalità standby, Ciak identifica la clip non ancora registrata, e mostra l'etichetta Ripresa Buona Ultima Clip

Ciak

Mostra la clip alla quale sono applicati i metadati in Clip. In fase di riproduzione si riferisce alla clip corrente, in standby alla clip che registrerai successivamente.

Dati Obiettivo

Mostra le informazioni dell'obiettivo montato sulla camera. La maggior parte degli obiettivi elettronici inviano automaticamente i dati del modello, dell'apertura, e della lunghezza focale. Queste informazioni sono inseribili manualmente toccando l'icona della matita, nel caso l'obiettivo non offra la funzione automatica. Il menù **Dati Obiettivo** contiene le seguenti voci:



Il menù Dati Obiettivo mostra le informazioni inviate automaticamente dagli obiettivi installati, e i dati dei filtri inseriti manualmente

• Tipo Obiettivo

Mostra il modello dell'obiettivo. Inserisci il modello dell'obiettivo manualmente se non appare automaticamente. La camera include un database interno per numerose ottiche in commercio. Quando inserisci i dati a mano, la camera suggerisce automaticamente i nomi, velocizzando l'operazione.



Inserisci i dati dell'obiettivo con la tastiera se non compaiono automaticamente

• Iris

Mostra l'apertura del diaframma all'inizio della clip. Questa informazione mostra valori f-stop o T-stop secondo l'obiettivo. Tocca la voce per inserire i dati manualmente.

- **Lunghezza Focale**

Mostra la lunghezza focale dell'obiettivo a inizio clip. Se rilevata automaticamente, fornisce il valore in millimetri. Tocca questa voce per inserire i dati manualmente.

- **Distanza**

Mostra la distanza focale dell'obiettivo a inizio clip. Se rilevata automaticamente, fornisce il valore in millimetri. Anche qui puoi inserire i dati manualmente.

- **Filtro**

Mostra i filtri impiegati. Tocca la voce per inserire i dati manualmente. Puoi inserire più filtri, separandoli con una virgola.



I dati dei filtri vanno inseriti manualmente

NOTA Resetta i dati dell'obiettivo in qualsiasi momento toccando Dati Obiettivo > Resetta dati obiettivo. Ti verrà chiesto di confermare la selezione. Se confermi, tutti i dati dell'obiettivo verranno cancellati e quelli del nuovo obiettivo sostituiti automaticamente da quelli dell'obiettivo correntemente installato. Se hai inserito dati manualmente, è necessario resettarli prima di montare un nuovo obiettivo, o riappariranno.

Pellicola

Mostra la “pellicola” corrente.

Pocket Cinema Camera incrementa automaticamente il numero della pellicola, eccetto quando si inizia un nuovo progetto e si vuole ripartire da 1. Vai alla tab **Progetto** e tocca **Resetta dati** per resettare.

Scena

Mostra il numero della scena, e può includere il numero e il tipo di ripresa.

Questa voce si riferisce sempre alla scena corrente. Aumenta o diminuisci il numero con le frecce ai suoi lati, o tocca il numero della scena per inserirlo manualmente.

I numeri della scena vanno da 1 a 9999.

Aggiungendo una lettera al numero della scena, indichi anche la ripresa. Per esempio, 23A = scena 23, ripresa 1. Quando aggiungi una lettera al numero di scena, la camera suggerisce incrementi alfabetici e numerici. Per esempio, se il numero di scena attuale è 7B, la camera suggerisce 8 e 7C.

Inoltre è possibile includere il tipo di inquadratura della ripresa, selezionandolo tra le opzioni disponibili sulla destra della tastiera:

CL	Campo lungo
CM	Campo medio
MPP	Mezzo primo piano
PP	Primo piano
PPP	Primissimo piano
DETT	Dettaglio



Quando inserisci i metadati in Clip > Scena, la camera suggerisce incrementi alfanumerici a sinistra, e tipi di inquadratura a destra sulla tastiera touch

Ripresa

Mostra il numero di ripresa della sequenza corrente. Usa le frecce per aumentarlo o diminuirlo, o tocca sul numero per inserirlo manualmente.

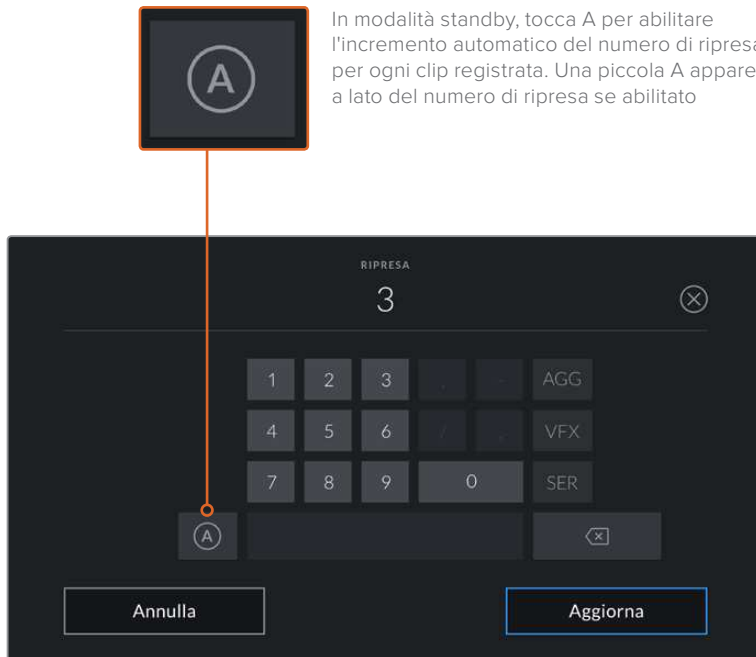
SUGGERIMENTO Quando si aumenta il numero di scena o di sequenza, il numero di ripresa riparte da 1.

Puoi anche descrivere la ripresa. Cliccando sulla destra della voce Ripresa trovi 3 opzioni:

P/U *Pick up* - ripresa aggiuntiva. Si riferisce alle riprese aggiuntive girate dopo la lavorazione.

VFX *Effetti visivi* - Si riferisce a una ripresa o a una sequenza utilizzabile con effetti visivi.

SER *Serie* - Si riferisce a più riprese effettuate come piano sequenza.



Quando inserisci i metadati in Ripresa, Pocket Cinema Camera suggerisce vari tipi di ripresa sulla destra della tastiera touch

Ripresa buona

Tocca questa voce per contrassegnare la ripresa “buona”, e individuarla facilmente in post. Se la camera è in riproduzione, questo pulsante etichetta come buona la clip correntemente visualizzata. Se è in standby e pronta alla registrazione, il pulsante Ripresa Buona Ultima Clip etichetta come buona l'ultima clip registrata.

Int / Est

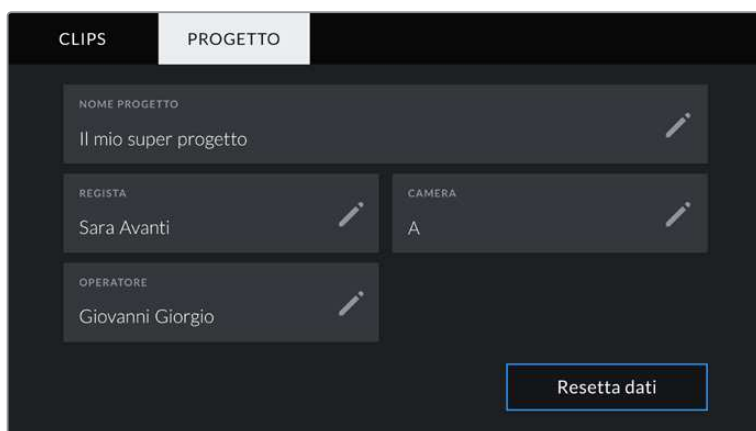
Identifica le riprese in interno o in esterno. In modalità standby si riferisce alla prossima clip e in riproduzione alla clip riprodotta.

Giorno / Notte

Identifica le riprese diurne o notturne. In modalità standby si riferisce alla prossima clip, e in riproduzione alla clip riprodotta.

Metadati della tab Progetto

I metadati del progetto funzionano allo stesso modo in modalità standby e di riproduzione. Si riferiscono al progetto intero e non dipendono dal numero della clip.



Inserisci manualmente i dettagli del progetto nella tab Progetto

Nome Progetto

Mostra il nome del progetto corrente. Tocca la matita per cambiarlo.

Regista

Mostra il nome del/la regista del progetto corrente. Tocca la matita per cambiarlo.

Camera

Mostra una sola lettera come identificazione della camera. Tocca la matita per cambiarla.

Operatore

Mostra il nome dell'operatore. Tocca la matita per cambiarlo.

Uscita video

Uscita di monitoraggio HD

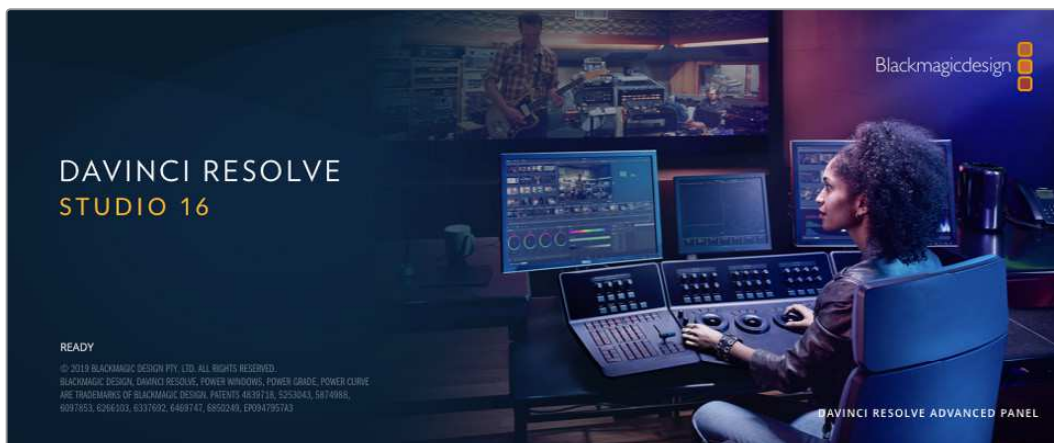
Il connettore HDMI standard della camera invia flussi video HD 1080p, consentendo di fare monitoraggio con i monitor e con i televisori di largo consumo. L'uscita a 10 bit supporta l'HDR e gli overlay in sovrapposizione, ed è ideale per il monitoraggio sul set.

Il monitoraggio tramite HDMI è utile quando è difficile accedere al display LCD, per esempio se la camera è montata su un braccio mobile, su una gru, o su un veicolo. Per visualizzare le informazioni di monitoraggio sul monitor HDMI connesso basta abilitare gli overlay nel menù del display. Gli overlay HDMI mostrano guide di inquadratura e informazioni tra cui stato della registrazione e impostazioni della camera. Per un monitoraggio senza distrazioni, disabilita gli overlay per visualizzare il feed HDMI senza informazioni di stato.

Puoi anche convertire i segnali in SDI, e connettere dispositivi SDI come monitor, switcher broadcast, e registratori collegando un Blackmagic Micro Converter HDMI to SDI. Questo convertitore si alimenta tramite la porta USB di Pocket Cinema Camera.

DaVinci Resolve

Filmare con Pocket Cinema Camera è solo l'inizio del processo della creazione di contenuti per la televisione e il cinema. Altrettanto importanti sono le operazioni di gestione e backup del materiale multimediale, il montaggio, la correzione colore e la codifica dei master finali. La tua Pocket Cinema Camera include DaVinci Resolve per macOS e Windows, per offrirti la soluzione completa di cattura e post produzione.



NOTA È consigliabile utilizzare la versione DaVinci Resolve più aggiornata per una correzione colore accurata delle clip girate con Pocket Cinema Camera. La versione 16 o successiva garantisce un trattamento del colore accurato per tutti i modelli Blackmagic e per il nuovo formato Blackmagic RAW.

Una volta inserita la scheda CFast, SD, o SSD nel computer, utilizza lo strumento **Clone** nella pagina Media di DaVinci Resolve per creare i backup delle riprese in tempo reale. La funzione di backup è importantissima per evitare la perdita del materiale registrato, perché qualsiasi tipo di contenuto multimediale può subire danneggiamenti improvvisi. A backup effettuato, puoi importare i file delle riprese nell'archivio multimediale e completare montaggio, correzione colore, e consegna senza mai uscire da DaVinci Resolve.

Non si tratta un semplice software di montaggio: offre tecnologia avanzata per la produzione di film digitali di altissima qualità, e la flessibilità di effettuare montaggio e correzione colore senza cambiare software.

Di seguito trovi le istruzioni per cominciare ad usare DaVinci Resolve con i file della camera. È un programma estremamente avanzato, con numerosissime funzioni che potrai scoprire navigando l'interfaccia. Per approfondire il suo funzionamento, consulta il manuale di istruzioni di DaVinci Resolve sul sito di Blackmagic Design, dove troverai anche numerosi corsi di apprendimento e tutorial online.

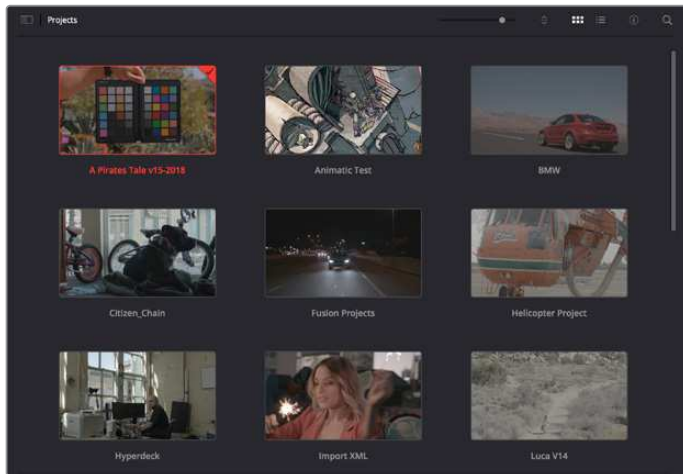
Project Manager

Prima di importare le clip e cominciare il montaggio, è necessario impostare il progetto con Project Manager.

È la prima schermata che appare quando si apre DaVinci Resolve, ma puoi anche aprire Project Manager dall'icona della home in basso a destra sull'interfaccia. È utile quando si vogliono aprire progetti precedenti e crearne di nuovi.

Per creare un nuovo progetto, clicca su **New project** in basso alla finestra e assegna un nome al progetto. Clicca **Create**.

Comincia subito a lavorare al tuo edit dalla pagina **Cut**.



Project Manager mostra tutti i progetti dell'utente attuale

Per maggiori informazioni su Project Manager, consulta il manuale DaVinci Resolve disponibile sulla pagina Supporto del sito di Blackmagic Design.

Montaggio sulla pagina **Cut**

La pagina **Cut** è progettata per un workflow veloce e dinamico, con strumenti di taglio, editing e assemblaggio delle clip super efficienti.

Possiede due timeline attive per lavorare contemporaneamente all'edit completo e a una sezione specifica. In questo modo puoi trascinare le clip ovunque sulla timeline, e rifinire l'edit su una timeline dettagliata nello stesso spazio di lavoro. È un workflow ideale per il montaggio su un laptop, perché non c'è bisogno di zoomare avanti e indietro mentre si lavora, e offre un risparmio di tempo notevole.

Il layout della pagina **Cut**

Quando apri la pagina **Cut**, trovi l'archivio multimediale **Media Pool**, il visualizzatore (o viewer) e la timeline. Queste tre sezioni principali offrono il controllo completo dell'edit.



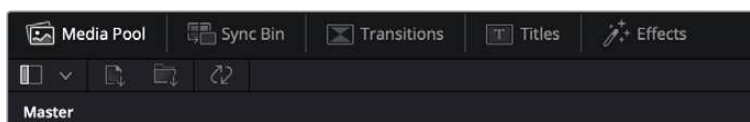
Lo spazio di lavoro della pagina **Cut**. L'archivio multimediale Media Pool è visualizzato come icona

Per maggiori informazioni sulla pagina Cut, consulta la sezione "Montaggio sulla pagina" *Cut* del manuale di DaVinci Resolve.

Le tab degli strumenti

In alto a sinistra dell'interfaccia utente trovi 5 tab.

Ognuna racchiude strumenti utili per creare il tuo edit. Per esempio, la prima tab è l'archivio multimediale, che qui vedi selezionata. Le altre tab sono il bin delle clip sincronizzate, le transizioni, i titoli e gli effetti.



- **Media Pool** L'archivio multimediale contiene tutte le clip, le cartelle e i file importati utilizzando la pagina Media. Puoi anche importare i file e le clip direttamente dalla pagina Cut, evitando di tornare alla pagina Media.
- **Sync Bin** Questa potente funzione sincronizza tutte le clip secondo timecode, data e ora, per accedere immediatamente a tutte le angolazioni multicamera del progetto.
- **Transitions** Accedi alle transizioni audio e video disponibili per arricchire l'edit. Include le transizioni più comuni tra cui la dissolvenza incrociata e la tendina orizzontale.
- **Titles** Di fianco alla tab delle transizioni, trovi la sezione per i titoli. Include titoli a scorrimento, testo standard e terzi inferiori. Ci sono anche vari template di Fusion per titoli animati dinamici, personalizzabili sulla pagina Fusion di DaVinci Resolve.
- **Effects** La quinta e ultima tab include tutti i vari filtri ed effetti utilizzabili per rendere l'edit più interessante, per esempio sfocature, bagliori, e riflessi. È possibile scegliere tra numerosi effetti e fare la ricerca per nome.

SUGGERIMENTO Utilizza la casella di ricerca a lato delle tab degli strumenti per trovare quello che stai cercando. Per esempio, con la tab delle transizioni selezionata, digita 'dissolve' nella casella di ricerca e appariranno solo le transizioni di dissolvenza nel viewer.




Le tab di visualizzazione

In alto a sinistra della finestra del viewer trovi tre icone di visualizzazione.



Modalità di visualizzazione

Visualizza la clip sorgente, tutte le clip, e la timeline. Queste modalità offrono un controllo notevole di selezione delle clip durante il montaggio, e vale la pena capirle come sfruttarle al meglio.



	Modalità clip sorgente	Mostra una sola clip dall'archivio multimediale, e puoi inserire punti di attacco e di stacco sulla timeline del viewer. Offre un controllo dettagliato. Seleziona una clip sorgente cliccando due volte su una clip nell'archivio multimediale, o trascinandola sul viewer.
	Modalità nastro unico	Mostra tutte le clip nell'archivio multimediale. Questa potente funzione è utile per scorrere velocemente tutte le clip e identificare un evento specifico. Mentre passi l'indicatore di riproduzione velocemente sulle clip, vedrai le thumbnail corrispondenti selezionate nell'archivio multimediale. In questo modo, una volta trovata la clip da editare basta cliccare sulla tab clip sorgente, e la clip apparirà sul viewer automaticamente. La modalità nastro sorgente consente di utilizzare al meglio l'editing non lineare, perché rende facilissimo trovare le clip, e mettere a punto nuove idee senza interrompere il flusso creativo.
	Modalità timeline	Mostra la timeline completa, per riprodurre il progetto e rifinire l'edit.

Importare le clip nell'archivio multimediale

Ora puoi cominciare a importare i file nel tuo progetto. Vai alla pagina Cut e usa una delle due modalità di importazione in alto sulla finestra **Media Pool**.



Importa i file nel progetto selezionando una delle due icone di importazione

	Importa file singoli	Importa un file alla volta dal supporto di memoria collegato.
	Importa cartella	Importa una cartella dal supporto di memoria collegato. DaVinci Resolve manterrà la struttura del file, trattando ogni cartella come bin separato, così è facile navigare tra i bin per trovare video e altri file multimediali.

Per importare i file:

- 1 Clicca sull'icona di importazione desiderata.
- 2 Dal supporto di memoria, scegli i file che vuoi importare.
- 3 Seleziona il file o la cartella e apri con **Open**.

Una volta aggiunti i file al progetto, salva i cambiamenti. DaVinci Resolve offre un veloce meccanismo di autosalvataggio chiamato **Live Save**. Una volta salvato il progetto, Live Save salva tutti i cambiamenti futuri in tempo reale, così non perderai mai il lavoro svolto.

Per maggiori informazioni su Live Save e su altre funzioni di autosalvataggio, consulta il manuale di DaVinci Resolve.

Aggiungere le clip alla timeline

Ora che sai riconoscere le tab degli strumenti e di visualizzazione, apri l'archivio multimediale e comincia a inserire le clip nella timeline.



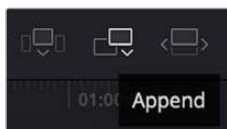
La timeline della pagina Cut. Include una timeline superiore e una timeline zoomata inferiore

La timeline mostra come è composto il tuo edit. È uno spazio contenente le tracce in cui puoi inserire, spostare, e tagliare le clip. Le tracce consentono di sovrapporre le clip per provare vari tipi di edit e inserire varie transizioni ed effetti. Per esempio, puoi applicare un edit a una clip su una traccia senza interferire con altre clip sulle tracce sottostanti.

Ci sono vari modi per inserire le clip sulla timeline. C'è l'inserimento intelligente Smart Insert, l'accodamento Append, l'inserimento sul livello superiore Place on Top, e molto altro.

Accodare le clip

Quando selezioni le clip e le aggiungi all'edit, il metodo più comune è di inserirle una dopo l'altra. Lo strumento **Append** consente di costruire l'edit velocemente.



Clicca sull'icona Append per inserire le clip una dopo l'altra

Per accodare le clip:

- 1 Fai doppio clic su una clip nell'archivio multimediale per aprirla nel viewer.
- 2 Utilizzando le maniglie di taglio Scratch Trim, trascina i punti di attacco e di stacco per selezionare la durata esatta della clip. Puoi anche premere i tasti {i} e {o} sulla tastiera per selezionarli i punti In e Out.

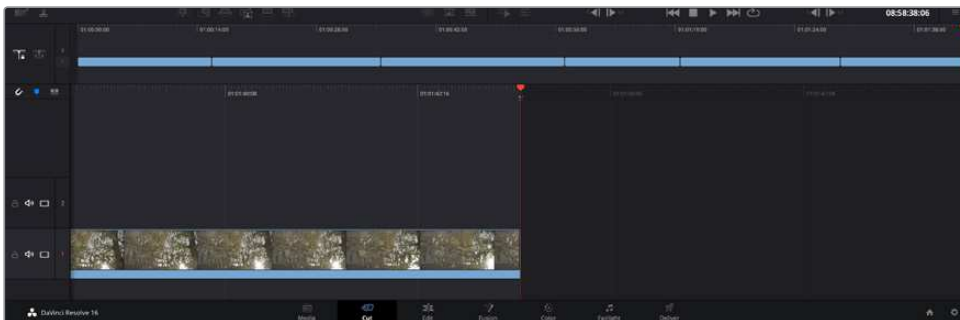


3 Ora clicca sull'icona **Append** sotto l'archivio multimediale Media Pool.



La prima clip verrà inserita all'inizio della timeline.

Ripeti i passi 1-3 per continuare ad accodare le clip, un metodo che non lascia spazi vuoti sulla timeline.



Accodando le clip non si lasciano spazi vuoti sulla timeline

SUGGERIMENTO Assegna un tasto di scelta rapida alla funzione *Append* per velocizzare l'operazione. Per esempio, assegna il tasto *P*. Ora puoi selezionare i punti di attacco e stacco e poi premere *P* per accodare la clip tagliata. Consulta il manuale DaVinci Resolve per maggiori informazioni su come assegnare i tasti di scelta rapida.

Montare le clip sulla timeline

Una volta inserite le clip sulla timeline, avrai il controllo completo per spostarle e tagliarle.

Per tagliare la clip, posiziona il mouse all'inizio o alla fine della clip, poi clicca e trascina la maniglia a destra o a sinistra. Così facendo si allunga o si diminuisce la durata della clip. Noterai che in questa modalità di taglio, tutte le clip si spostano sulla timeline per fare spazio alla modifica. Questo è uno dei tanti modi in cui la pagina Cut aiuta a risparmiare tempo.

Si può anche trascinare una clip su una nuova traccia video nella timeline superiore senza bisogno di zoomare avanti o indietro. Si minimizza così il tempo impiegato a scorrere una timeline lunga e di conseguenza si velocizza il montaggio.

Una volta editate le clip sulla pagina Cut, puoi inserire un titolo. La sezione successiva spiega come farlo.

Inserire i titoli

È facile inserire un titolo nella timeline, e puoi scegliere tra numerose opzioni.

Clicca sulla tab degli strumenti **Titles** in alto a sinistra dell'interfaccia utente. Nella finestra di selezione appaiono tutti i generatori di titoli a disposizione, per esempio i terzi inferiori, i titoli scorrevoli, e i titoli di testo standard. Include anche titoli creati con Fusion, contenenti animazioni e personalizzabili.

Qui sotto mostriamo un esempio.

Per inserire un titolo standard:

- 1 Clicca sul nome del titolo e trascinalo sulla timeline. Non importa quale timeline, ma consigliamo quella più dettagliata per lavorare con precisione. Il titolo crea automaticamente una nuova traccia video per il titolo, e si posiziona all'altezza dell'indicatore di riproduzione.
- 2 Lascia andare il mouse e il titolo appare sulla nuova traccia. Ora puoi spostare il titolo o cambiarne la durata come se fosse una clip.
- 3 Per editare il titolo, clicca sulla clip del titolo e apparirà una icona degli strumenti sotto il viewer. Clicca sull'icona degli strumenti.

Vedrai apparire varie opzioni per modificare il titolo, tra cui transform, ridimensionamento, zoom dinamico, e molto altro. Per questo esempio, seleziona l'icona **Titles**.
- 4 Clicca su **Open Inspector**.

Si aprirà la finestra dell'Inspector dove puoi editare il titolo e modificarne le impostazioni, per esempio lo spaziamento e l'interlinea, il tipo di caratteri, il colore, e molto altro.

Ci sono numerosissime opzioni di personalizzazione dei titoli. Consigliamo di sperimentare con i vari setting e scoprire come cambiano la forma e l'aspetto dei titoli.

Lavorare con i file Blackmagic RAW

Le clip Blackmagic RAW offrono la massima flessibilità in post produzione. Questa caratteristica ti permette di modificare le clip, per esempio il bilanciamento del bianco e l'ISO, come se stessi cambiando le impostazioni originali della camera stessa. Inoltre i dati originali del sensore mantengono tutte le informazioni tonali all'interno delle zone di luce e di ombra, indispensabili per recuperare i dettagli, per esempio nelle zone più scure dell'immagine.

Filmare in Blackmagic RAW è ideale per ottenere la migliore qualità possibile, o per le riprese soggette a drastiche variazioni di illuminazione che necessitano una manipolazione particolareggiata.

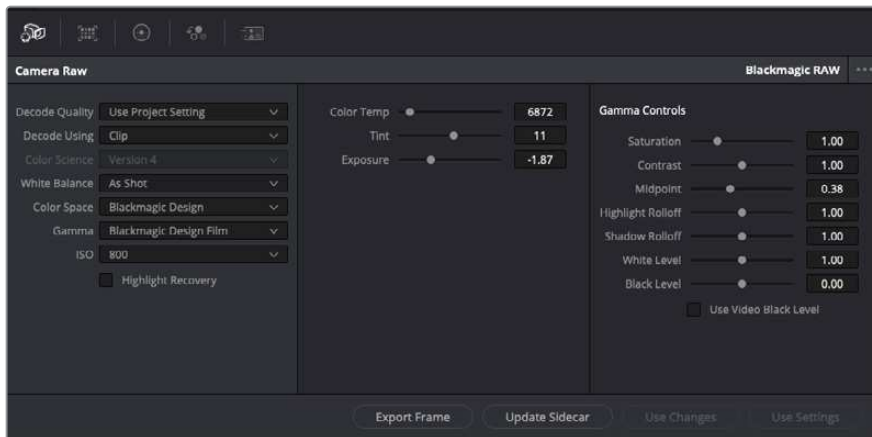
Essendo i file Blackmagic RAW veloci e di piccole dimensioni, non è necessario creare file proxy per riprodurre le immagini come una normale videoclip. Per maggiori dettagli sulle caratteristiche dei file Blackmagic RAW e come utilizzarli su DaVinci Resolve, consulta la sezione "Blackmagic RAW" seguente.

SUGGERIMENTO Consigliamo di regolare i valori delle clip Blackmagic RAW nelle impostazioni della pagina Color prima di cominciare la correzione colore delle clip.

Impostazioni della clip Blackmagic RAW

Quando importi file Blackmagic RAW, DaVinci Resolve decodifica i dati di cattura del sensore, inclusi ISO, bilanciamento del bianco, e tinta del materiale girato. Se le impostazioni sono soddisfacenti, puoi iniziare a fare editing.

Filmare in RAW offre il vantaggio di non essere limitati dalle impostazioni esistenti. La quantità e la qualità delle opzioni creative disponibili in post per i file Blackmagic RAW consentono infatti di sviluppare flussi di lavoro personalizzati. Accedi alle impostazioni delle singole clip dalla sezione "Camera RAW" per scoprire l'incredibile flessibilità e la potenza di questo formato.



Seleziona Clip dal menù a discesa della voce Decode Using per cambiare le impostazioni Blackmagic RAW della clip

Una volta abilitate le impostazioni delle clip Blackmagic RAW su DaVinci Resolve, puoi regolare i parametri delle clip con i controlli sotto la voce Gamma Control. Il risultato sarà molto simile a quello ottenuto con una correzione primaria del colore. Le regolazioni sono particolarmente efficaci se svolte con l'aiuto dei visualizzatori di segnale di DaVinci Resolve, utilissimi per neutralizzare e bilanciare le clip prima di creare un look.

Di seguito sono descritte le impostazioni per clip e gamma.

ISO

Aumenta o diminuisci il valore di ISO. È utile per impostare la clip con un livello pre-ottimizzazione di base più luminoso o più scuro.

Highlight Recovery

Spunta la casella per recuperare i dettagli di luce dei canali che hanno subito clipping usando le informazioni raccolte dai canali privi di clipping.

Color Temp

Regola la temperatura del colore per rendere l'immagine più calda o più fredda. È utile per neutralizzare il bilanciamento del colore di ogni immagine.

Tint

Aggiungi verde o magenta all'immagine per favorire il bilanciamento del colore.

Exposure

Regola la luminosità complessiva dell'immagine.

Saturation

Impostato di default su 1, la saturazione offre un intervallo che va da un minimo di -1 a un massimo di +4.

Contrast

Impostato di default su 1.0, il contrasto offre un intervallo che va da un minimo di 0 a un massimo di 2.

Midpoint

In gamma dinamica Film, il valore medio del grigio è 0.38, o 38.4%. Sposta lo slider verso sinistra per diminuire il valore, e verso destra per aumentarlo fino a un massimo di 100. Se hai impostato il contrasto su un valore diverso da quello di default, puoi modificare anche i valori delle zone di luce Highlight Rolloff e ombra Shadow Rolloff.

Highlight Rolloff

Sposta lo slider verso sinistra per diminuire il valore delle luci fino a un minimo di 0, e verso destra per aumentarlo fino a un massimo di 2. Il valore di default è 1.

Shadow Rolloff

Sposta lo slider verso sinistra per diminuire il valore delle ombre fino a un minimo di 0, e verso destra per aumentarlo fino a un massimo di 2.

White Level

Regola il livello del bianco della curva gamma spostando lo slider dal valore massimo di 2 al valore minimo di 0. Il valore di default è 1.

Black Level

Regola il livello di nero della curva gamma spostando lo slider dal valore minimo di -1 al valore massimo di 1. Il valore di default è 0.

Use Video Black Level

Spunta la casella per impostare il livello di nero sulla modalità Video.

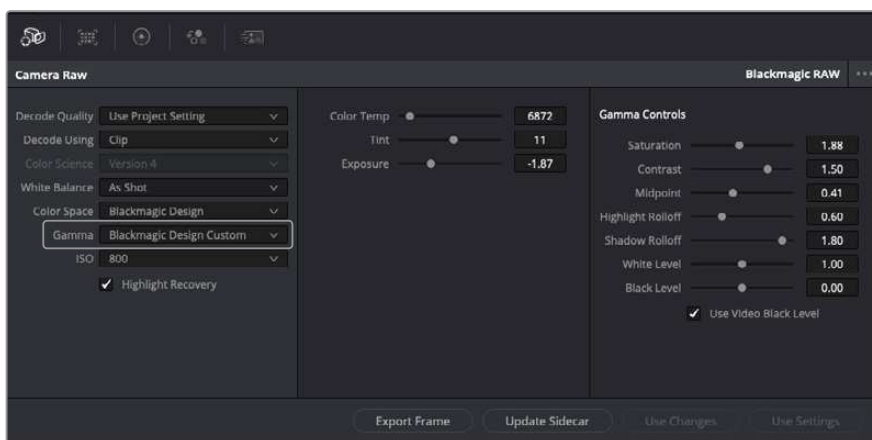
Export Frame

Clicca il pulsante per esportare un singolo fotogramma dalla clip Blackmagic RAW.

Update Sidecar

Clicca il pulsante per aggiornare il file sidecar Blackmagic RAW della clip corrente.

Cambiando anche solo una delle impostazioni Blackmagic RAW di una clip, la voce **Gamma** si auto-imposta sull'opzione **Blackmagic Design Custom**.



Per riportare la clip a una delle impostazioni gamma di default, scegli la relativa opzione alla voce Gamma

SUGGERIMENTO I controlli della voce Gamma Controls sono disabilitati se usi la gamma dinamica Video, ma i dati Blackmagic RAW non vengono persi. Per abilitarli e apportare cambiamenti, seleziona l'opzione Blackmagic Design Film o Blackmagic Design Extended Video dal menù a discesa alla voce Gamma.

Salvare i cambiamenti apportati al file Blackmagic RAW:

- 1 Regola i parametri della clip Blackmagic RAW con i controlli sotto la voce **Gamma Controls**.
- 2 Clicca su **Update Sidecar**.

Il file sidecar viene generato nella stessa cartella del file .braw. Quando un altro utente importa i file Blackmagic RAW, DaVinci Resolve legge i file sidecar automaticamente. Clicca su **Update Sidecar** ogniqualvolta apporti un cambiamento.

SUGGERIMENTO Per rimuovere un file sidecar basta cancellarlo dal drive in cui si trova.

Impostazioni del progetto Blackmagic RAW

Se desideri cambiare alcune impostazioni e applicarle a tutte le clip, per esempio il bilanciamento del bianco o l'ISO, puoi indicare a Blackmagic RAW di usare le impostazioni del progetto.

Per selezionare Blackmagic RAW sulle impostazioni del progetto:

- 1 Clicca su **File > Project Settings**.
- 2 Clicca su **Camera RAW** e apri il menù a discesa della voce **RAW Profile**. Seleziona **Blackmagic RAW** dalla lista.
- 3 Dal menù a discesa **Decode Using** seleziona **Project**.
- 4 Imposta il bilanciamento del bianco **White Balance** su **Custom**.
- 5 Se hai scelto Blackmagic RAW, seleziona **Blackmagic Design Custom** dal menù a discesa della voce **Gamma**. Imposta lo spazio colore **Color Space** su **Blackmagic Design**. Questa operazione imposta automaticamente la voce **Gamma** su **Blackmagic Design Film**.
- 6 Scegli la risoluzione dal menù a discesa della voce **Decode Quality**. Una risoluzione minore consente una riproduzione migliore su alcuni sistemi. Se in un secondo momento decidi di scegliere la piena risoluzione, puoi farlo anche prima della consegna.

Ora puoi cambiare le impostazioni della camera per le clip, per esempio la saturazione, il contrasto, e i mezzitoni. I cambiamenti verranno applicati a tutte le clip nel progetto se alla voce **Decode Using** hai selezionato **Project**.

Correggere le clip sulla pagina Color

Ora che le clip e i titoli sono stati aggiunti alla timeline, puoi cominciare a correggere il colore nelle pagina **Color**. Questa pagina offre strumenti potentissimi, che genereranno l'estetica finale del film. Con questo esempio vogliamo ottenere un look omogeneo per tutte le clip. Puoi ritornare alla pagina **Cut** in qualsiasi momento se desideri apportare cambiamenti all'edit.

Sulla pagina **Color** regoli l'estetica delle immagini montate. La correzione colore è una vera e propria forma d'arte, infatti combinando il colore in un certo modo si possono suscitare particolari emozioni. È un processo creativo importantissimo all'interno del workflow, e una volta imparate le basi si vedono subito i risultati. Come primo passo, si applica una correzione colore primaria. Una volta regolati i valori principali dell'immagine intera, si può passare alla correzione colore secondaria, ovvero correzioni mirate a un'area specifica dell'immagine. È un lavoro divertente, ma per operazioni più efficienti e per ottenere risultati migliori va fatto dopo aver completato la correzione primaria.

Per cominciare, apri la pagina **Color**.

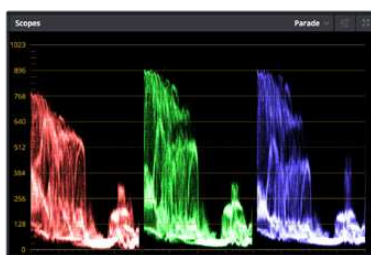
Appariranno le impostazioni Camera RAW, i cerchi cromatici, le curve e altri strumenti per la correzione colore, oltre alla finestra di anteprima e dei nodi. Non scoraggiarti davanti all'incredibile quantità di opzioni disponibili, sono state progettate per permetterti di ottenere il

migliore risultato possibile. Questa sezione mostra le operazioni di base. Per informazioni più dettagliate, consulta la sezione di interesse del manuale. Sono ideali per approfondire il funzionamento di ogni singolo strumento, passo dopo passo. Imparerai le stesse tecniche utilizzate dai coloristi degli studi professionali.

Solitamente si inizia con l'ottimizzare le ombre, i mezzitoni e le luci delle clip con i parametri Lift, Gamma, e Gain. Queste regolazioni contribuiscono a creare immagini nitide e luminose, offrendo un punto di partenza bilanciato per le operazioni di correzione colore successive. Per ottimizzare i livelli, è importante affidarsi ai visualizzatori di livelli.

Utilizzare i visualizzatori di livelli

I coloristi combinano il colore con creatività per trasmettere le emozioni che vogliono suscitare nel pubblico, e per farlo si affidano unicamente al monitor. Con un po' di pratica sarai in grado di comunicare idee e sensazioni facendo interagire in modo strategico gli elementi dell'immagine e la luce.



Il visualizzatore di allineamento RGB *Parade* consente di ottimizzare i mezzitoni, le zone di luce e di ombra

I visualizzatori integrati ti aiutano a bilanciare le immagini in fase di correzione colore. Apri un visualizzatore cliccando sul pulsante **Scope**, il secondo da destra sulla barra delle palette. Puoi scegliere tra **Waveform** (forma d'onda), **Parade** (allineamento), **Vectorscope** (vettorscopio) o **Histogram** (istogramma). Grazie ai visualizzatori puoi tenere sotto controllo il bilanciamento tonale e i livelli delle clip per evitare di perdere dettagli nelle zone di luce e di ombra, ed eliminare tinte indesiderate.

I cerchi cromatici Lift, Gamma, e Gain contenuti nella palette Color Wheels generalmente si usano per apportare le prime correzioni. Sono simili ai controlli di correzione colore e contrasto di altre applicazioni.



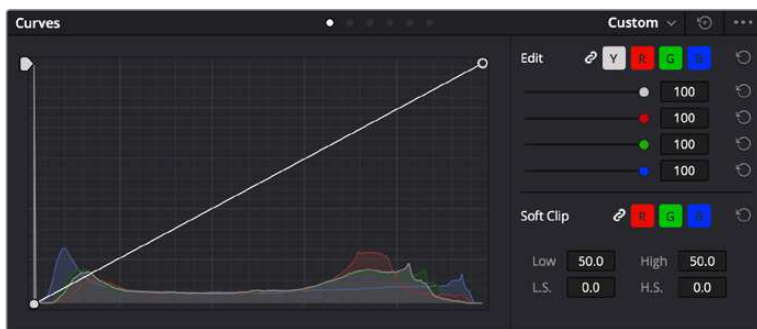
I cerchi cromatici di Lift, Gamma, Gain e Offset consentono di creare il colore ottimale per bilanciare i toni del colore delle clip. Per regolare in maniera uniforme tutti i colori per ogni tono, muovi opportunamente le rotelle sotto i cerchi cromatici

Per un controllo più accurato di ogni colore utilizzando il mouse, puoi passare dai cerchi cromatici alle barre dei colori primari, con cui regoli ciascun canale di colore e la luminosità singolarmente. Seleziona **Primaries Bars** dal menù a discesa della palette **Color Wheels**.

- **Regolare i livelli del nero Lift** Una volta selezionata la clip nella timeline della pagina Color, clicca sulla rotella **Lift** del primo cerchio cromatico, muovila avanti e indietro e osserva come cambia l'immagine. Aumenta o diminuisci la luminosità delle zone di ombra fino a ottenere il risultato desiderato. Se diminuisci troppo la luminosità, l'immagine comincia a perdere dettagli nelle zone di ombra. Utilizza il visualizzatore di allineamento RGB per evitare questo problema. La posizione ottimale dei livelli del nero sulla forma d'onda è appena sopra la linea in basso nel visualizzatore.
- **Regolare i livelli del bianco Gain** Muovi la rotella del cerchio **Gain** per aumentare o diminuire la luminosità delle zone dei bianchi. I livelli di gain risiedono nella parte superiore della forma d'onda del visualizzatore di allineamento RGB. Per le riprese in condizioni di forte illuminazione, è preferibile che i livelli si trovino appena al di sotto della linea più in alto nella forma d'onda. Se i livelli vanno al di sopra di questa linea, si perdono dettagli nelle zone di luce.
- **Regolare i mezzitoni Gamma** Muovi la rotella del cerchio **Gamma** per aumentare o diminuire la luminosità dell'immagine. La parte centrale della forma d'onda rappresenta i mezzitoni della clip e cambia in tempo reale durante la regolazione. La posizione ottimale dei mezzitoni è tra il 50 e il 70% della forma d'onda. Ad ogni modo la posizione di questi livelli è soggettiva e dipende sia dal look che si vuole creare che dalle condizioni di illuminazione in fase di ripresa.

Per eseguire la correzione primaria del colore hai anche l'opzione di usare la palette delle curve **Curves**. Basta cliccare sui punti desiderati lungo la diagonale nel grafico della curva, e trascinarli verso l'alto o il basso per regolare il contrasto RGB dell'intera immagine in diverse aree tonali. I punti ottimali di regolazione della curva sono 3: il secondo a partire dall'alto, quello centrale, e il secondo a partire dal basso.

Tutte le funzioni e le tecniche della correzione primaria del colore sono descritte nel manuale di DaVinci Resolve.



La finestra delle curve è un ulteriore strumento per la correzione primaria del colore, o per valorizzare aree specifiche con una Power Window

Correzione secondaria del colore

Per apportare correzioni mirate a un'area specifica dell'immagine è necessario usare gli strumenti di correzione secondaria. Finora ci siamo concentrati sulla correzione primaria del colore, ovvero la regolazione di luci, ombre, e mezzitoni sull'immagine intera.

Invece per regolare una parte specifica dell'immagine, per esempio migliorare il verde del prato o il blu del cielo, bisogna ricorrere agli strumenti di correzione colore secondaria. Questi strumenti consentono di selezionare una sezione dell'immagine e modificare solo quella. Grazie alla struttura a nodi del software è possibile apportare numerose correzioni secondarie in varie parti dell'immagine, fino a raggiungere il look desiderato. E per far sì che le selezioni seguano il movimento nelle immagini, ci sono le comode funzioni delle Power Window e del tracking.

Isolare un colore

Mettendo in risalto un colore specifico nell'immagine si attira l'attenzione del pubblico sull'elemento desiderato. Completa questa operazione con lo strumento Qualifier HSL (tonalità, saturazione, luminosità).



Usa la funzione Qualifier HSL per isolare un colore nella scena, e mettere in risalto determinate aree dell'immagine per attirare l'attenzione del pubblico sugli elementi che preferisci

Per isolare un colore:

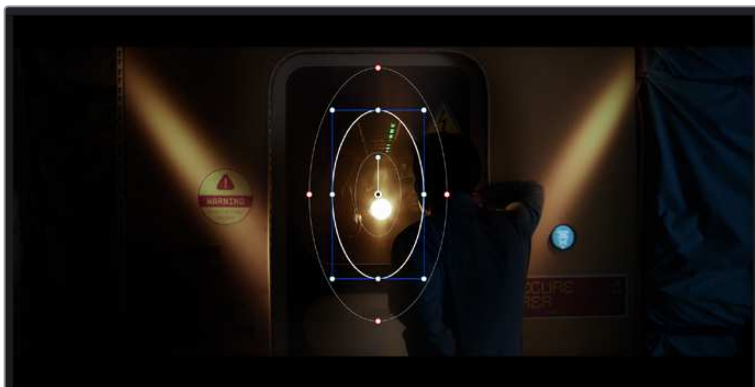
- 1 Aggiungi un nodo seriale.
- 2 Apri la palette **Qualifier** e seleziona l'icona del contagocce sotto la voce **Selection Range**.
- 3 Clicca sul colore dell'immagine che vuoi isolare.
- 4 Potrebbe essere necessario fare qualche cambiamento per ammorbidire i bordi della selezione e delimitare strettamente la zona del colore interessato. Clicca sull'icona **Highlight** sopra al visualizzatore per vedere la selezione.
- 5 Modifica il parametro **Width** sotto la voce **Hue** per ridurre o allargare la selezione.

Usa i controlli a disposizione per affinare la selezione. Ora puoi apportare cambiamenti al colore selezionato usando i cerchi cromatici o le curve.

A volte la selezione contamina zone indesiderate dell'immagine. In questo caso puoi creare una maschera sulle zone contaminate con una finestra Power Window. Basta dare forma a una nuova finestra nell'area del colore desiderata. La funzione di tracking rileva e traccia eventuali movimenti all'interno della Power Window.

Aggiungere una finestra Power Window

Le finestre Power Window sono uno strumento molto efficace nella correzione colore secondaria perché permettono di isolare aree specifiche delle clip. Queste aree si possono tracciare perché seguano i movimenti della camera, per esempio una panoramica o una rotazione, o il movimento dell'area stessa.



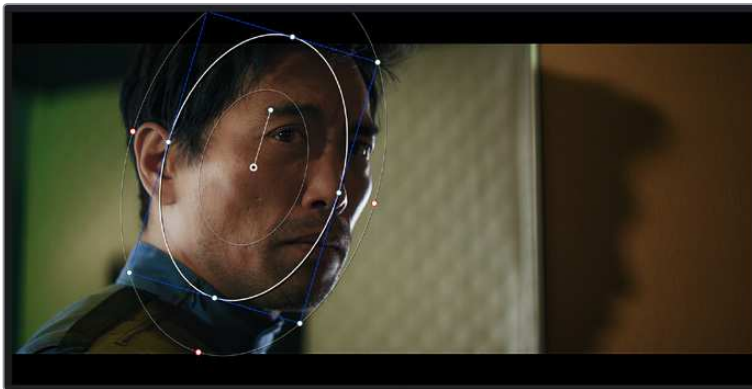
Usa una Power Window per creare una maschera sulle aree che vuoi escludere dai ritocchi HSL

Per esempio puoi creare una finestra sul viso di un'attrice e correggere il colore solo in quella zona, senza intaccare il resto dell'immagine. Con questo tipo di correzione influenzi il modo in cui il pubblico percepisce l'immagine, attirando l'attenzione sugli elementi che desideri.

Come creare una Power Window:

- 1 Aggiungi un nodo seriale.
- 2 Apri la palette **Window** e clicca sulla forma desiderata. La forma scelta apparirà sul nodo.
- 3 Clicca e trascina i punti blu per ridimensionare la forma, e i punti rossi per ammorbidire i bordi. Posiziona la forma cliccando e trascinando il punto centrale e ruotala usando il secondo punto ad esso connesso.

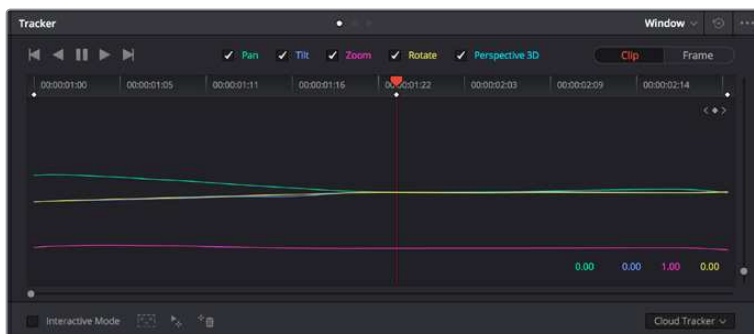
Ora puoi correggere il colore dell'area selezionata.



Utilizza le finestre Power Window per fare la correzione secondaria di un'area specifica dell'immagine

Fare il tracking di una finestra Power Window

La camera, un oggetto, o un'area nella ripresa potrebbero essere in movimento. Per appurarti che la finestra rimanga sull'oggetto o sull'area selezionati, usa la potente funzione di tracciamento di DaVinci Resolve. Il tracker analizza le panoramiche, l'inclinazione, lo zoom, e la rotazione della camera o dell'oggetto nella clip, consentendo alle finestre di seguirne i movimenti. Senza questa funzione la correzione colore potrebbe contaminare aree indesiderate.



Il tracking consente alle Power Windows di seguire automaticamente i movimenti all'interno dell'area selezionata

Come fare il tracking della Power Window di un oggetto in movimento:

- 1 Crea un nuovo nodo seriale e aggiungi una Power Window.
- 2 All'inizio della clip, posiziona la finestra Power Window sull'area o sull'oggetto desiderati.
- 3 Apri la palette **Tracker**. Spunta le opzioni **Pan, Tilt, Zoom, Rotate**, o {3D} desiderate.
- 4 Clicca sulla freccia Avanti, a sinistra delle caselle. DaVinci Resolve inserirà una serie di punti di riferimento nella clip, elaborando il resto dei fotogrammi per analizzarne il movimento. Completata l'analisi del movimento, la Power Window ne seguirà il percorso nella clip.

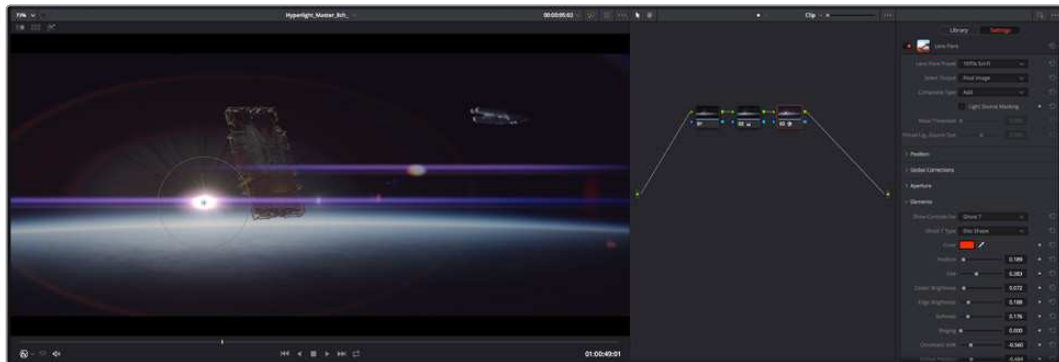
Questa funzione di tracking automatico è molto affidabile ma è possibile che si interrompa o non funzioni perfettamente nelle scene complesse in cui altri oggetti passano davanti all'area selezionata. In questo caso basta correggere il problema manualmente con l'editor dei fotogrammi chiave. Consulta il manuale di DaVinci Resolve per tutte le istruzioni.

Usare i plug-in

Durante la correzione colore secondaria puoi utilizzare anche i plug-in ResolveFX o OpenFX per creare effetti e look interessanti nella pagina Color, o inserire transizioni ed effetti creativi nelle clip sulla pagina Edit. I plug-in ResolveFX sono inclusi in DaVinci Resolve, mentre gli OpenFX sono acquistabili e scaricabili da fornitori di terzi.

Dopo aver installato un set di plug-in OpenFX, puoi accedervi dalla pagina Color cliccando sull'omonimo pulsante in alto a destra. Dopo aver creato un nuovo nodo seriale, clicca sul menù **OpenFX** per vedere la lista dei plug-in, poi clicca e trascina quello desiderato sul nodo. Se il plug-in offre una serie di impostazioni modificabili, usa la tab **Settings** sottostante per regolarle.

Sulla pagina Edit è anche possibile aggiungere filtri, generatori, e transizioni per plug-in. Clicca sul menù **OpenFX** nella libreria **Effects Library** e trascina il plug-in desiderato sulla clip o sulla traccia sopra la clip nella timeline a seconda delle necessità.



I plug-in OFX sono una soluzione facile e veloce per dare vita a look creativi

Mixare l'audio

Mixare l'audio sulla pagina Edit

Una volta fatto l'editing e corretto il colore del progetto, puoi iniziare a mixare l'audio. DaVinci Resolve offre funzioni di editing, mix, e mastering audio comodamente sulla pagina Edit. Invece per i progetti che richiedono funzioni di mixaggio più avanzate, la pagina Fairlight ha un ambiente interamente dedicato alla post produzione audio. Se sai già come utilizzare queste funzioni sulla pagina Edit puoi passare alla sezione successiva che descrive la pagina Fairlight.

Inserire le tracce audio

Sulla pagina Edit puoi inserire più tracce audio per creare un semplice mix di musica ed effetti sonori. Questa funzione è utile per separare gli elementi audio in tracce distinte, per esempio voce, effetti sonori, e musica.

Come inserire una traccia audio sulla pagina Edit

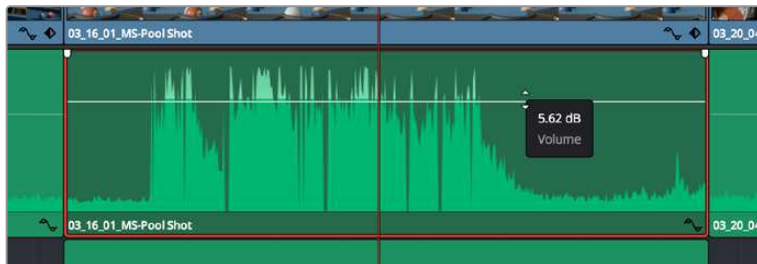
Fai clic destro a fianco al nome della traccia audio nella timeline, seleziona **Add track** e scegli un'opzione, tra cui **Mono**, **Stereo**, e **5.1**. La traccia si aggiunge in fondo alla lista. Altrimenti seleziona **Add tracks** e poi la posizione in cui desideri collocare la nuova traccia o gruppo di tracce.

La nuova traccia audio apparirà sulla timeline.

SUGGERIMENTO Se vuoi cambiare il tipo di traccia dopo averla creata, fai clic destro a fianco al nome della traccia, seleziona **Change track type to** e scegli un'altra opzione, per esempio Stereo, Mono, o 5.1.

Regolare i livelli audio sulla timeline

Ogni clip audio nella timeline include un overlay che consente di regolare i livelli audio semplicemente trascinando il cursore verso l'alto o il basso. Questo overlay corrisponde al parametro **Volume** dell'Inspector.



Regola il volume della clip spostando il cursore sull'overlay

Invece per i progetti che richiedono funzioni di mixaggio più avanzate, la pagina Fairlight ha un ambiente interamente dedicato alla post produzione audio.

La pagina Fairlight

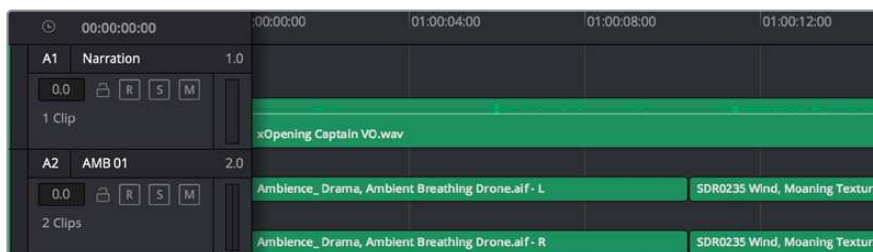
Accedi alla pagina Fairlight di DaVinci Resolve per manipolare l'audio del progetto. In modalità Single Monitor, l'interfaccia offre una visualizzazione ottimale delle tracce audio del progetto, accompagnate da un mixer esteso e controlli di monitoraggio personalizzati per valutare e regolare i livelli, e creare un mix armonioso. Non scoraggiarti davanti all'incredibile quantità di opzioni disponibili, sono state progettate per aiutarti a ottenere la migliore qualità audio possibile.



Questa guida offre una breve panoramica delle funzioni Fairlight. Per istruzioni dettagliate su ogni funzione, passo dopo passo, consulta il manuale di DaVinci Resolve.

La timeline audio

- **Intestazione della traccia** Sulla sinistra di ogni traccia si trova una colonna di intestazione, che ne indica il nome, il numero e il colore, nonché il canale audio, il valore del fader e i livelli. Inoltre include vari comandi per bloccare e sbloccare le tracce, Solo, e Mute. Questi controlli aiutano a gestire le tracce, e mostrano l'anteprima di una traccia alla volta.
- **Tracce** Ogni traccia sulla pagina Fairlight è suddivisa in corsie, che mostrano i singoli canali della clip per l'editing e il mix. La pagina Edit nasconde le informazioni dei singoli canali audio, mostrando nella timeline solo una clip per semplificare l'editing delle fonti multi-canale invece di gestire un gran numero di tracce.



L'intestazione della traccia A1 mostra una corsia singola di audio mono.
L'intestazione della traccia A2 mostra due corsie di audio stereo

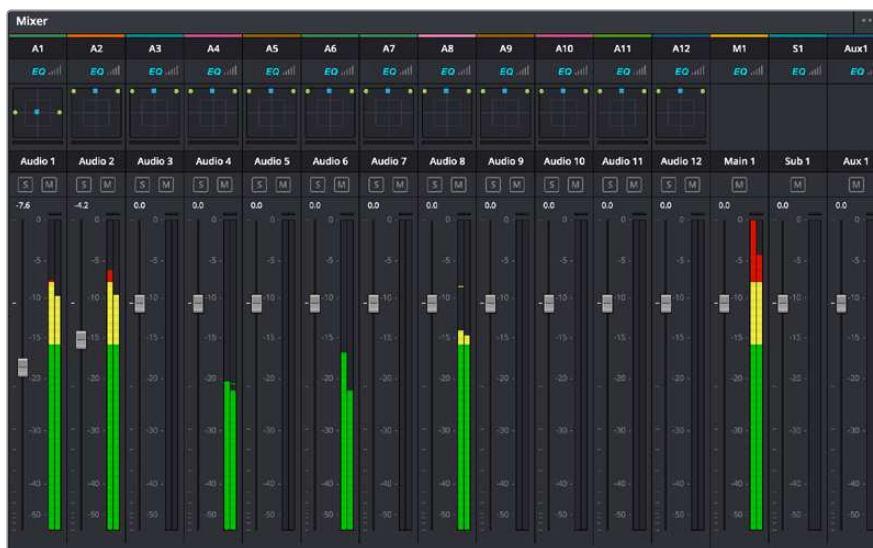
Che cosa è un bus?

Un bus è essenzialmente un canale di destinazione verso il quale si possono instradare più tracce audio dalla timeline per mixarle in un segnale unico, gestibile da una singola striscia di canale.

- **Bus principali** Si tratta delle uscite principali del programma. Ogni nuovo progetto parte infatti da un singolo bus principale, al quale vengono instradate di default tutte le tracce. Questo bus raggruppa le tracce della timeline in un unico segnale, consentendoti di mettere a punto il livello complessivo del mix audio dopo aver regolato quello di ciascuna traccia singolarmente.
- **Bus secondari** Sono i bus che raggruppano le tracce audio appartenenti alla stessa categoria, per esempio dialogo, musica, o effetti, consentendo di mixarle come un unico segnale audio. Per esempio se hai 5 tracce di dialogo, puoi instradare il segnale di ciascuna al bus secondario, per poi regolare i livelli di tutti i dialoghi con un solo comando. Questo “sub-mix” si può masterizzare separatamente, o indirizzare al bus principale.

Il mixer

Ogni traccia audio nella timeline corrisponde a una striscia di canale nel mixer. La striscia per il bus principale è etichettata **M1** di default. Per ogni bus principale o secondario creato appare una striscia di canale supplementare sulla destra, accompagnata da un set di controlli. Grazie a questi controlli grafici puoi assegnare i canali delle tracce ai canali di uscita, regolare EQ e dinamica, impostare i livelli e registrare operazioni automatizzate. Inoltre consentono di posizionare l'audio stereo e surround nello spazio, silenziare, o selezionare tracce singole.



Il mixer audio, con le strisce di canale corrispondenti alle tracce nella timeline

Utilizzare l'equalizzatore per perfezionare l'audio

Dopo aver regolato i livelli audio delle clip del progetto, è necessario rifinirlo. A volte i dialoghi, la musica e gli effetti competono per la stessa frequenza sullo spettro audio, risultando in un audio poco chiaro. È qui che l'equalizzatore EQ entra in gioco perché consente di specificare quali parti dello spettro audio occupa ogni traccia. L'EQ inoltre aiuta a rimuovere elementi audio indesiderati, isolando e riducendo il livello di frequenze particolari che contengono rumore come vento, fischi, e ronzii, al fine di migliorare la qualità del suono.

DaVinci Resolve offre filtri EQ applicabili al livello della clip o della traccia. Ogni clip nella timeline dispone di equalizzatori a 4 bande nel pannello dell'Inspector, e ogni traccia di un

equalizzatore parametrico a 6 bande nel pannello del mixer. Grazie ai controlli grafici e numerici puoi incrementare o attenuare diverse gamme di frequenze, e con i vari tipi di filtri definire la forma della curva EQ.



L'equalizzatore a 4 bande è applicabile a ogni clip nella timeline

Le bande esterne ti permettono di regolare i filtri per i bassi e per gli alti (detti shelving), e utilizzare filtri passa-basso e passa-alto. I filtri passa-alto e basso rimuovono completamente dal segnale le frequenze sopra o sotto la soglia di una determinata frequenza. Per esempio il filtro passa-alto fa sì che le alte frequenze passino attraverso il filtro, lasciando fuori quelle basse. Qualsiasi frequenza al di fuori della soglia di frequenza impostata viene eliminata gradualmente, definendo una curva discendente.

I filtri di shelving sono meno rigidi, e molto utili per rivisitare le frequenze più alte e basse senza escluderle completamente dal segnale. Amplificano o attenuano uniformemente la frequenza soglia, e tutte quelle situate sopra o sotto di essa, in base al tipo di shelving in uso.

I controlli di banda al centro consentono di regolare dettagliatamente l'equalizzazione con filtri di shelving bassi e alti, notch, e a campana.

- **A campana** I filtri a campana amplificano o tagliano le frequenze intorno a un determinato punto della curva a forma di campana.
- **Elimina banda** I filtri elimina banda ti permettono di bloccare il passaggio di una gamma molto ristretta di frequenze, per esempio il ronzio dell'alimentazione a 50 o 60Hz.
- **Shelving (bassi)** I filtri low-shelf amplificano o tagliano le frequenze basse e tutte quelle al di sotto.
- **Shelving (alti)** I filtri high-shelf amplificano o tagliano le frequenze alte e tutte quelle al di sopra.

Per aggiungere un EQ a una sola clip:

- 1 Seleziona la clip nella timeline a cui vuoi aggiungere un filtro EQ.
- 2 Clicca sull'Inspector e abilita l'interruttore **Equalizer**.

Per aggiungere un EQ a una traccia:

- 1 Fai doppio clic nella sezione **EQ** di una traccia nel mixer per aprire il pannello EQ.
- 2 Seleziona il tipo di filtro di banda dal menù a discesa per la banda che vuoi regolare.



La sezione EQ nel pannello Mixer indica che una curva EQ è stata applicata alla traccia



L'equalizzatore parametrico a 6 bande applicabile a ogni traccia

Una volta aggiunto un EQ alla clip o alla traccia, puoi regolare l'equalizzazione di ciascuna banda. I controlli potrebbero variare in base al tipo di filtro di banda selezionato.

Come regolare l'EQ per un filtro di banda:

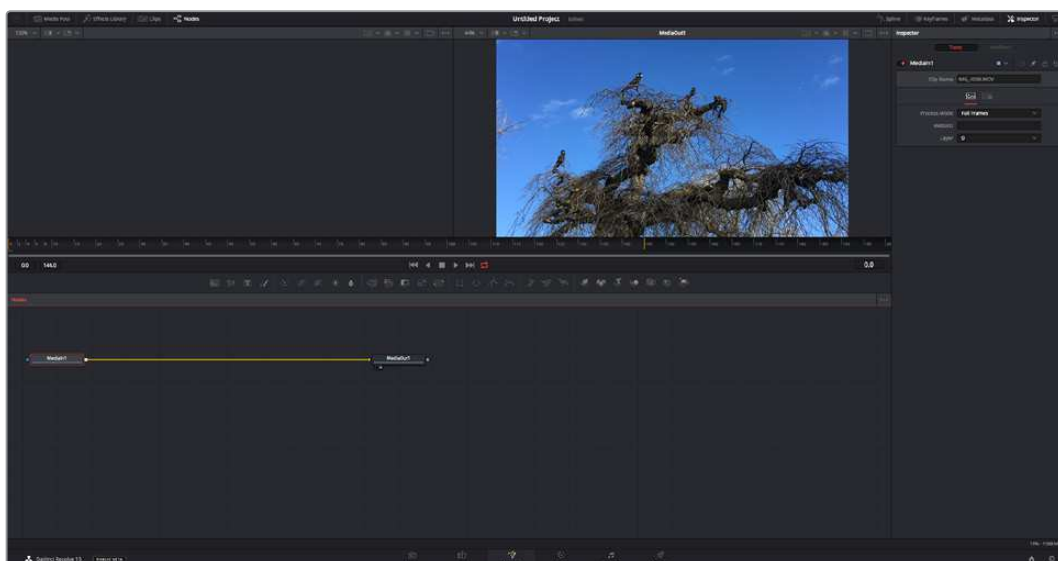
- 1 Seleziona il tipo di filtro di banda dal menù a discesa per la banda che vuoi regolare.
- 2 Regola il valore di **Frequency** per selezionare la frequenza centrale.
- 3 Regola il valore di **Gain** per amplificare o attenuare le frequenze governate da quella banda.
- 4 Usa il valore di **Q Factor** per regolare l'ampiezza delle frequenze interessate.

Usa il pulsante **Reset** per portare tutti i controlli della finestra EQ ai valori di default.

Fairlight offre numerosi controlli per migliorare la qualità di ogni traccia audio. Sfruttali per aggiungere tracce, organizzare i bus, inserire effetti come ritardo e riverbero, e perfezionare ogni dettaglio del mix.

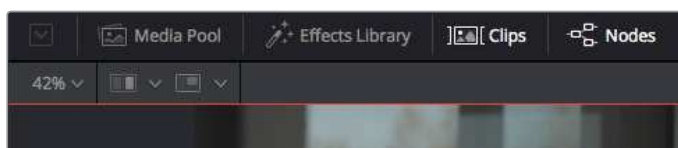
VFX e compositing sulla pagina Fusion

Una volta completato il montaggio, puoi passare alla pagina Fusion per aggiungere effetti visivi 2D e 3D e grafica in movimento comodamente su DaVinci Resolve. A differenza dei software basati su strati distinti, Fusion si avvale di una struttura a nodi, che ti permette di costruire effetti complessi aggiungendo informazioni all'immagine in qualsiasi punto della struttura. La finestra dei nodi mostra tutti gli strumenti usati passo dopo passo. Se hai dimestichezza con il flusso di lavoro a nodi della pagina Color, troverai questo metodo facile da mettere in pratica.

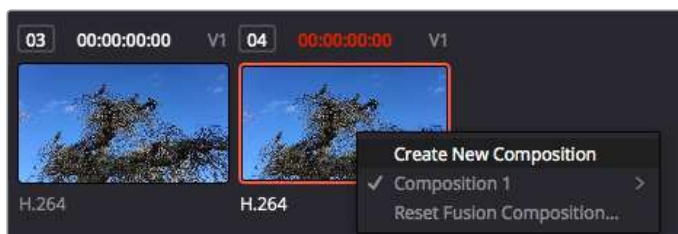


La pagina Fusion

Questa pagina contiene due visualizzatori con controlli di trasporto nella parte superiore, una finestra in alto a destra per accedere alle impostazioni degli strumenti (Inspector), e una finestra nella parte inferiore per costruire la composizione (Nodes). I visualizzatori e i controlli di trasporto sono sempre visibili, invece le finestre Inspector e Nodes, così come Effects Library, Spline, e Keyframes, appaiono solo cliccando sul rispettivo pulsante.



- **Media Pool** L'archivio multimediale funziona analogamente a quello della pagina Edit. Basta trascinare il materiale dalle cartelle bin direttamente nella composizione.
- **Effects Library** La libreria degli effetti contiene gli strumenti di Fusion e i template organizzati in categorie, tra cui particelle, tracciamento, filtri, e generatori. Basta cliccare sullo strumento o trascinarlo nell'area dei nodi per aggiungerlo alla composizione. L'archivio multimediale e la libreria effetti si aprono sullo stesso lato dell'interfaccia, quindi puoi alternare tra i due e continuare a visionare le immagini senza ridimensionare i viewer.
- **Clips** Questo pulsante mostra o nasconde le thumbnail delle clip sulla timeline. Le thumbnail sono situate sotto l'editor dei nodi, per navigare le clip facilmente.



Crea una nuova versione della composizione facendo clic destro su una thumbnail e selezionando Create New Composition

- **Viewer** I visualizzatori delle immagini, o viewer, sono sempre visibili e mostrano la composizione in diverse modalità, per esempio la prospettiva 3D complessiva mediante il nodo Merge 3D, il segnale d'uscita di una camera, o la renderizzazione finale. I viewer servono anche per osservare l'impatto dei cambiamenti su un elemento specifico.

Puoi assegnare i nodi al visualizzatore che preferisci. Clicca su un nodo e premi il tasto **1** per visualizzarlo sul viewer di sinistra, e **2** su quello di destra. Sotto il nodo appariranno delle piccole icone bianche che indicano il visualizzatore a cui è stato assegnato. Se usi una soluzione di monitoraggio esterna, vedrai un terzo pulsante che ti permette di visualizzare il materiale multimediale sul monitor collegato.

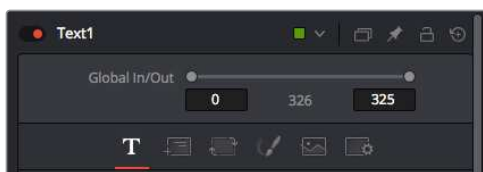
SUGGERIMENTO Trascina direttamente il nodo nel viewer in cui vuoi vederlo.

I controlli di trasporto sotto i viewer consentono di passare all'inizio o alla fine della clip, riprodurre in avanti o indietro, o interrompere la riproduzione. Il righello mostra l'intera durata della clip, e due marcatori gialli indicano i punti di attacco e stacco.



I marcatori gialli sul righello indicano i punti di attacco e stacco della clip sulla timeline. Se usi una clip Fusion o una clip composta, il righello mostra solo la durata della clip come nella timeline, ma senza marcatori

- **Nodes** La finestra dedicata ai nodi è il cuore della pagina Fusion. Qui costruisci la struttura a nodi, collegando gli strumenti dall'uscita di un nodo all'ingresso di un altro. Le dimensioni dello spazio di lavoro cambiano in base a quali altre finestre sono aperte o meno, per esempio Spline o Keyframes. In alto al centro sono disponibili gli strumenti più utilizzati per un accesso rapido.
- **Spline** La finestra dedicata alle curve spline si apre a destra della finestra dei nodi. Qui apporti cambiamenti precisi a ciascun nodo, per esempio rendendo più armoniosa l'animazione tra due keyframe con le curve di Bezier.
- **Keyframes** La finestra dedicata ai fotogrammi chiave permette di aggiungere, rimuovere, o modificare i keyframe per ogni strumento, e si apre a destra della finestra dei nodi.
- **Metadata** Questa finestra mostra i metadati disponibili per la clip attiva, inclusi codec, frame rate, e timecode.
- **Inspector** Questa finestra mostra i parametri e i controlli disponibili per uno o più nodi selezionati. I controlli ad accesso rapido variano in base alle categorie di nodi.

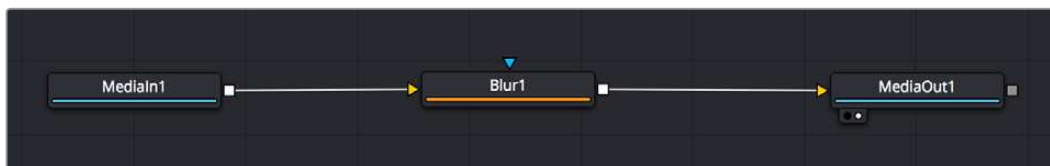


L'Inspector di testo contiene i controlli per sistemare layout, forme, ombre, e altre impostazioni

Lo spazio di lavoro Fusion

Inizia posizionando l'indicatore di riproduzione su una clip nella timeline e poi apri la pagina **Fusion**.

Qui la clip va subito ad occupare un nodo di ingresso chiamato MediaIn. Ogni composizione inizia con un nodo **MediaIn** e un nodo **MediaOut**. Il primo rappresenta la prima clip della timeline, dove hai posizionato l'indicatore di riproduzione, ignorando le clip sottostanti. La clip contiene ogni modifica apportata nella pagina Edit, incluse le operazioni dello strumento Transform e di crop.



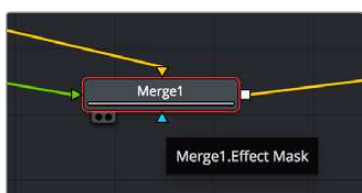
Il nodo MediaOut rimanda l'uscita alla timeline della pagina Edit di DaVinci Resolve





SUGGERIMENTO I plug-in ResolveFX o OpenFX applicati alle clip nella pagina Edit non appaiono nella pagina Fusion, perché gli effetti Fusion vengono applicati prima della correzione colore e dell'elaborazione dei plug-in. Per applicare plug-in OpenFX prima degli effetti Fusion, fai clic destro sulla clip nella pagina Edit e seleziona New Fusion Clip prima di aprire la pagina Fusion.

Come funzionano i nodi

I nodi sono icone visive che rappresentano un singolo strumento o effetto. Si connettono tra loro per creare la composizione finale, come gli ingredienti in una ricetta. Gli ingressi e le uscite di ciascun nodo ricoprono un ruolo fondamentale, in quanto punti di accesso ad ogni singolo elemento inserito durante la realizzazione degli effetti visivi.

Alcuni strumenti hanno più ingressi e uscite, e si possono connettere ad altri nodi. Per esempio il nodo Merge consente di accorpate l'ingresso per il primo piano, l'ingresso per lo sfondo, e l'ingresso per la maschera o le chiavi.



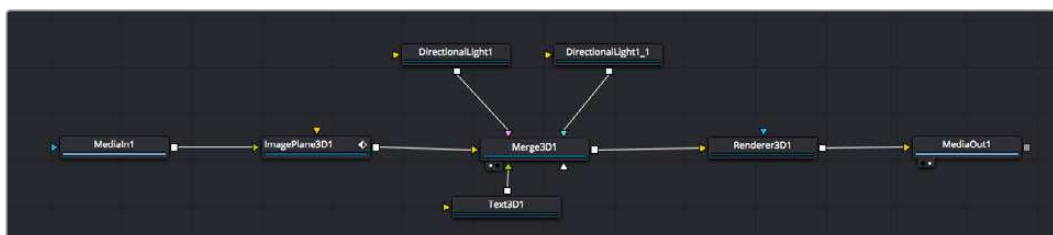
-  Ingresso del primo piano
-  Ingresso dello sfondo
-  Ingresso della maschera per effetti
-  Uscita

Avere più uscite su un nodo significa poter connettere molti nodi diversi nella composizione, senza la necessità di duplicare le clip come nei software basati su livelli distinti. Le frecce sui nodi offrono un ottimo riscontro visivo della direzione in cui vanno i dati dell'immagine.

Aggiungere nodi nella finestra Nodes

Per aggiungere effetti basta collocare i nodi sulla linea tra i nodi MediaIn e MediaOut.

Si può fare in diversi modi. Puoi tenere premuto Shift e rilasciare un nodo tra i due, oppure cliccare sul nodo a cui vuoi aggiungere un effetto e selezionare lo strumento di tua scelta. Il nuovo nodo si conetterà automaticamente allo strumento selezionato. Puoi aggiungere nodi in qualsiasi punto della struttura e connetterli manualmente trascinando l'uscita di uno sull'ingresso di un altro.



Gli strumenti più comunemente utilizzati sono i nodi Merge 2D o Merge 3D, una specie di stazione centrale in cui tutti gli strumenti convergono in una singola uscita

Il nodo Merge offre controlli per gestire gli ingressi, inclusi parametri come dimensione, posizione, e modalità Blend. Una volta selezionato il nodo, questi controlli sono accessibili dalla finestra Inspector.

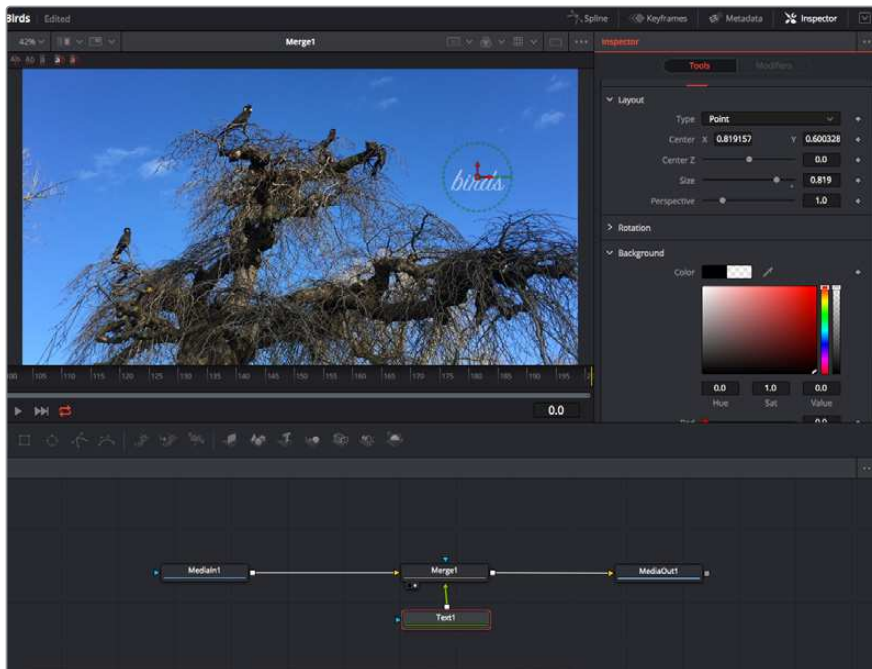
La barra degli strumenti sopra la finestra dei nodi contiene le icone degli strumenti più utilizzati. Clicca sull'icona desiderata per aggiungere un nodo, o trascinala nella finestra. Per vedere tutti gli strumenti disponibili, apri **Effects Library** e clicca sul menù **Tools**. Gli strumenti elencati sono classificati per categoria, così come i template disponibili nel menù **Templates**, per esempio Lens flares (bagliori), Shaders (sfumature), e Backgrounds (sfondi).

SUGGERIMENTO Se conosci già i nomi degli strumenti, tieni premuto il tasto Shift e premi la barra spaziatrice sulla tastiera per accedere al menù di selezione strumento. Mentre digiti il nome dello strumento, il menù suggerisce quelli possibili. Usa questa scorciatoia per accelerare il flusso di lavoro.

Regolare i nodi nella finestra Inspector

La finestra Inspector ti permette di modificare i nodi. Clicca sul nodo che vuoi modificare e vedrai apparire i parametri e i relativi controlli.

Con Fusion è possibile modificare un nodo e allo stesso tempo vederne un altro nel visualizzatore. Per esempio puoi modificare la posizione e il centro di un nodo Text, ma vedere un nodo Merge nel visualizzatore. Così facendo potrai lavorare al testo in relazione allo sfondo.



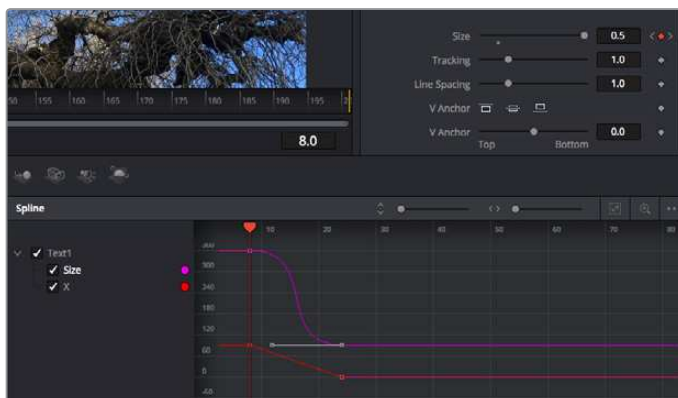
I nodi selezionati hanno un bordo rosso. In questo esempio è selezionato il nodo Text, e la tab Tools dell'Inspector mostra i relativi controlli

I parametri e i controlli disponibili variano in base alla funzione del nodo, ad esempio permettendoti di ricentrare e ridimensionare un elemento così come di cambiare il numero di particelle emesse. L'animazione dell'effetto verrà definita dai keyframe e dalle impostazioni scelte di volta in volta.

Utilizzare i keyframe

Nella finestra Inspector, imposta un keyframe facendo clic destro su un'impostazione e scegliendo **Animate** dal menù contestuale. L'icona del keyframe a destra dell'impostazione diventerà rossa. Questo significa che i keyframe sono attivi e che qualsiasi cambiamento apportato verrà applicato solo al fotogramma corrente. Quando si creano due o più keyframe cambiando i parametri su un fotogramma diverso, tra questi viene interpolata una transizione di movimento. Le frecce su ciascun lato dell'icona del keyframe permettono di muovere l'indicatore di riproduzione sulle posizioni esatte nella timeline.

La finestra Spline offre ulteriori controlli per gestire le animazioni con i keyframe. Seleziona i keyframe, per esempio il primo e l'ultimo, e addolcisci l'animazione con una curva di Bezier premendo **Shift + S**, o facendo clic destro su un keyframe e selezionando **Smooth**.



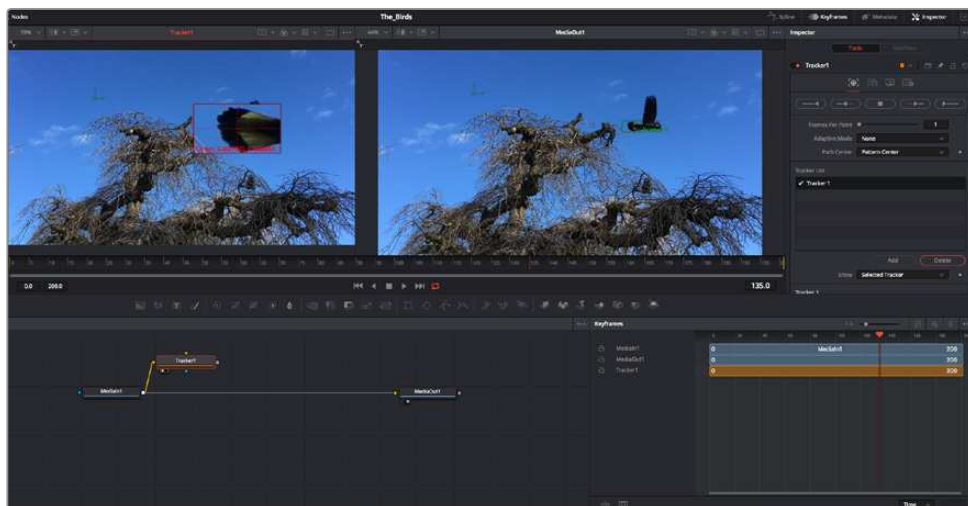
In questo esempio il parametro della dimensione è stato addolcito con una curva di Bezier. Clicca sulle maniglie per accorciare o allungare la curva, o sui quadratini dei keyframe per riposizionarli

Utilizzare lo strumento Tracker e aggiungere il testo

Gli esempi seguenti intendono chiarire il funzionamento dello strumento Tracker quando si vuole tracciare un elemento in una clip, e aggiungervi del testo usando i dati di tracciamento.

Il Tracker traccia i pixel nel tempo sugli assi X e Y, e genera una serie di dati che puoi usare per aggiungere altri elementi. Questo sistema è utilissimo se desideri far corrispondere la posizione del testo a un oggetto in movimento, per esempio a una macchina per strada o a un uccello in volo.

- 1 Nella finestra **Effects Library**, seleziona **Tools > Tracking** e trascinalo sulla linea tra i nodi MediaIn e MediaOut. Clicca sul nodo **Tracker** per vederne i parametri nella finestra Inspector.
- 2 Premi il tasto **1** per vedere il nodo Tracker nel viewer di sinistra. La clip apparirà nel visualizzatore, con il tracker nella sua posizione di default. Muovi il cursore del mouse sul Tracker per vederne le maniglie. Clicca sulla maniglia nell'angolo in alto a sinistra e trascina il tracker in un'area di interesse sulla clip. Le aree ad alto contrasto funzionano bene, per esempio il logo della macchina sul portabagagli. Il tracker ingrandisce l'area di interesse per facilitare le operazioni.
- 3 Nella finestra **Inspector**, clicca sul pulsante **Track forward** per avviare il tracciamento. Una finestra di notifica apparirà a tracciamento completato. Clicca su **OK**.

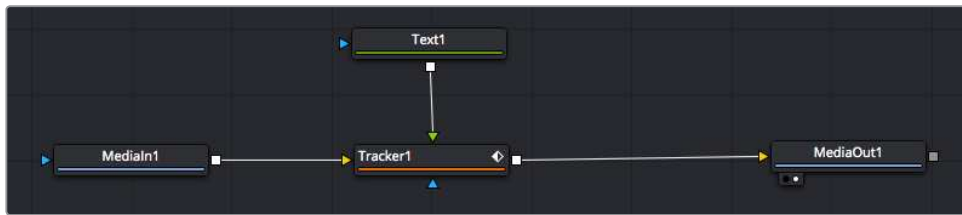


I controlli nell'Inspector permettono di invertire la direzione del tracciamento dall'ultimo fotogramma o da quello corrente, di interromperlo, o di proseguire in avanti dal fotogramma corrente o dal primo

SUGGERIMENTO Invertire il tracciamento o proseguire in avanti dal fotogramma corrente sono opzioni ideali quando l'area di interesse scompare dal fotogramma durante il rendering. Usa queste opzioni per tracciare solo le riprese pertinenti.

Ora puoi usare i dati di tracciamento e applicare il percorso di movimento a un nodo Text.

- 4 Clicca sull'icona del nodo **Text** nella barra dei nodi più utilizzati e trascinala vicino al nodo **Tracker**. Connetti l'uscita del nodo **Text** (il quadratino bianco) all'ingresso del nodo **Tracker** (il triangolo verde).



- 5 Clicca sul nodo **Tracker** e premi il tasto **1** per vedere l'immagine nel viewer di sinistra. Nella finestra **Inspector**, clicca sull'icona **Operation**. Il nome dell'icona appare posizionandoci sopra il mouse. Clicca sul menù a discesa a fianco all'icona e seleziona **Match move**.
- 6 Clicca sul nodo **Text** per vederne i parametri nella finestra **Inspector**. Digita il testo nella casella di testo e cambia il font, il colore, e le dimensioni come preferisci.

Così facendo i dati di posizione di tracciamento verranno applicati dal tracker al testo. Per riposizionare il testo in relazione al tracker, vai alle impostazioni nella finestra **Inspector** e modifica i parametri **X Offset** e **Y Offset** con le rotelle.



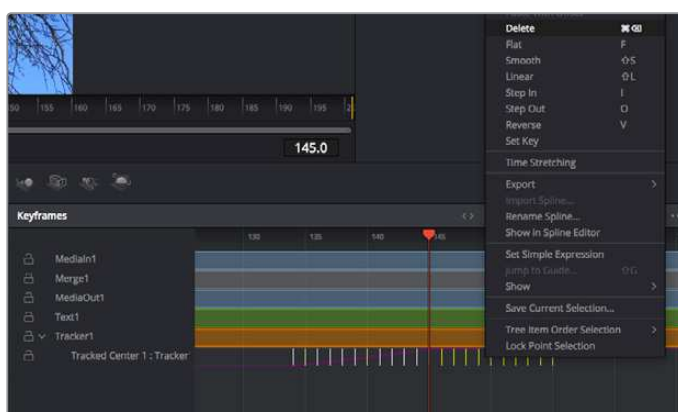
Le rotelle nella finestra **Inspector** regolano la posizione del testo sugli assi X e Y per il nodo **Tracker**

Ora riproduci la composizione e vedrai il testo collegato all'oggetto che hai tracciato.



Il quadratino verde rappresenta la posizione corrente del tracker, seguito dalla linea verde che ne rappresenta il percorso. La linea rossa tratteggiata indica il riposizionamento relativo al tracker per animare il testo

In alcune riprese potrebbe essere necessario rimuovere i punti di tracciamento dopo averli individuati, per esempio se l'oggetto tracciato scompare dallo schermo. Per farlo basta andare nella finestra **Keyframes**.



- 7 Apri la finestra **Keyframes**. Tutti i nodi con keyframe hanno una piccola freccia accanto alla propria etichetta. Nell'elenco sottostante compaiono solo i parametri con keyframe aggiunti. Clicca sull'icona della lente di ingrandimento e disegna un quadrato nell'area che vuoi modificare. L'area interessata verrà ingrandita per vedere meglio i keyframe.
- 8 Sposta l'indicatore di riproduzione sulla posizione di quello che vuoi sia l'ultimo keyframe. Seleziona i keyframe che vuoi rimuovere disegnando un quadrato intorno con il mouse. I keyframe selezionati diventano gialli. Fai clic destro e seleziona **Delete** dal menù.

SUGGERIMENTO Se gli effetti usati sono particolarmente complessi e richiedono un'elaborazione intensiva, fai clic destro nell'area dei controlli di trasporto per vedere le opzioni di visualizzazione, tra cui riproduzione di proxy, e scegli quella più adeguata al tuo sistema. Per tutti i dettagli sulle opzioni di riproduzione, consulta il manuale di DaVinci Resolve.

Hai completato la tua prima composizione, in cui il testo animato segue un movimento all'interno delle riprese.

Se vuoi tracciare un'area dell'immagine contenente una superficie piatta che vuoi valorizzare o sostituire, usa il Planar Tracker. Tracciare piani 2D può essere utile per sostituire etichette e segnali in un'immagine in movimento, o persino per aggiungere un'immagine su un monitor o una TV nella scena.

Per tutti i dettagli sul Planar Tracker e sui potenti strumenti della pagina Fusion, consulta il manuale di DaVinci Resolve.

SUGGERIMENTO Lo strumento Merge cambia a seconda che l'effetto che stai costruendo sia 2D o 3D. Se combini effetti 2D e 3D nella stessa composizione, ricorda che qualsiasi effetto visivo fatto nello spazio 3D va renderizzato come immagine 2D prima di poterlo accoppiare a una composizione 2D.

Non ti resta che esplorare e sperimentare le innumerevoli funzioni di Fusion per esprimere la tua creatività. Con un set di strumenti così avanzati a portata di mano, DaVinci Resolve non ha più limiti.

Mastering post montaggio

Ora che montaggio, correzione colore, effetti visivi, e mix audio sono completi, puoi passare alla pagina di consegna **Deliver**. È possibile selezionare il pulsante di esportazione veloce **Quick Export** per esportare la timeline come un file unico, scegliendo tra numerosi formati e funzioni.



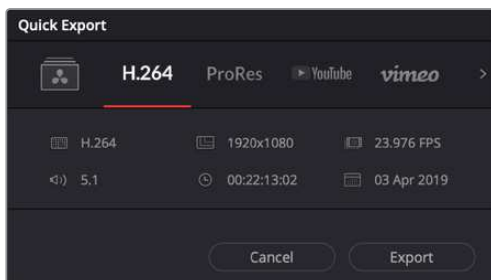
Esporta il tuo progetto dalla pagina di consegna Deliver, scegliendo tra numerosi formati video e codec

Esportazione veloce

Seleziona **File > Quick Export** per accedere alle numerose opzioni predefinite di esportazione. Selezionabile da qualsiasi pagina di DaVinci Resolve, l'opzione di esportazione veloce consente anche di pubblicare il programma sulle piattaforme di condivisione video più comuni YouTube, Vimeo, e Frame.io.

Come utilizzare Quick Export:

- 1 Sulla pagina Edit, Fusion, o Color puoi definire la sezione da esportare selezionando i punti di attacco e di stacco sulla timeline, oppure esportare l'intera timeline.
Clicca su **File > Quick Export**.
- 2 Seleziona un predefinito dalla lista di icone della finestra di dialogo di Quick Export, ed esporta cliccando su **Export**.
- 3 Scegli dove salvare il file, digita il nome del progetto, poi salva con **Save**. Apparirà una barra di avanzamento che indica la durata dell'esportazione.



La finestra di dialogo di Quick Export

La pagina Deliver

Questa pagina consente di selezionare le clip che vuoi esportare, oltre al tipo di formato, codec, e risoluzione desiderati. Scegli tra numerosi tipi di formati, inclusi QuickTime, AVI, MXF e DPX, e codec tra i quali RGB/YUV non compressi a 8 bit o 10 bit, ProRes, DNxHD, e H.264.

Come esportare una clip singola:

- 1 Accedi alla pagina **Deliver**.
- 2 Clicca sul menù **Render Settings** in alto a sinistra. Scegli tra numerosi predefiniti di esportazione, per esempio YouTube, Vimeo, e audio, oppure imposta parametri personalizzati manualmente selezionando **Custom**. Per questo esempio, seleziona YouTube, clicca sulla freccia a lato e scegli il formato 1080p.

Il frame rate rispecchia le impostazioni esistenti del tuo progetto.
- 3 Sotto i predefiniti di consegna trovi il nome del file della timeline e la destinazione del video esportato. Clicca su **Browse** e scegli dove salvare il file esportato. Poi seleziona **Single clip** dall'opzione di render.
- 4 Appena sopra la timeline, vedrai l'opzione **Entire timeline** per esportare l'intera timeline. Se preferisci selezionare solo alcune sezioni della timeline, scegli **In/out range** e usa i tasti di scelta rapida **I** e **O** per confermare i punti di attacco e di stacco nella timeline.
- 5 In basso nel menù **Render Settings** aggiungi alla coda di render con **Add to Render Queue**.

Le impostazioni del rendering si aggiungono alla coda delle operazioni di rendering sulla destra della pagina. Ora basta cliccare sul tasto **Start Render** e monitorarne il progresso.

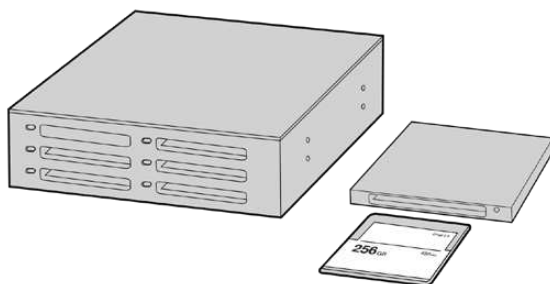
Una volta completato il rendering, apri la cartella in cui è stato salvato, fai doppio clic sulla clip e guarda la sequenza completa.

Ora che la tua conoscenza delle operazioni basilari di montaggio, correzione colore, mixaggio audio ed effetti visivi è completa, puoi cominciare a sperimentare più a fondo con DaVinci Resolve. Consulta il manuale di DaVinci Resolve per maggiori informazioni sulle numerose funzioni disponibili per arricchire il tuo progetto.

Lavorare con software di terzi

Per editare i file con il tuo programma di montaggio preferito, per esempio DaVinci Resolve, basta copiare le tue clip su un drive esterno di archiviazione o su un'unità RAID, e poi importarle nel tuo software. Altrimenti importa le clip direttamente dalla scheda con un dock o adattatore per SD o CFast, o tramite la porta USB C per le unità flash USB C.

Utilizzare i file delle schede CFast 2.0 e SD



Edita direttamente dalla scheda SD o CFast: estraila dalla camera e inseriscila in un lettore/riproduttore CFast 2.0 o in un drive CFast collegato al computer

Importare le clip da una scheda CFast 2.0 o SD:

- 1 Rimuovi la scheda CFast o SD da Pocket Cinema Camera.
Inseriscila in un lettore CFast 2.0 o SD o in un drive CFast collegato a un computer Mac o Windows.
- 2 Clicca due volte sull'icona CFast o SD per aprire le cartelle contenenti i file Blackmagic RAW o la lista di file QuickTime. A seconda del formato di registrazione scelto, i file potrebbero essere diversi ma avranno le stesse convenzioni di denominazione.
- 3 Ora trascina i file sul desktop o su un altro supporto di memoria, oppure accedi ai file direttamente dalla scheda CFast o SD dal software di montaggio.
- 4 Clicca su *Rimuovi scheda* su macOS o Windows prima di estrarla dal computer per evitare di danneggiare i filmati.

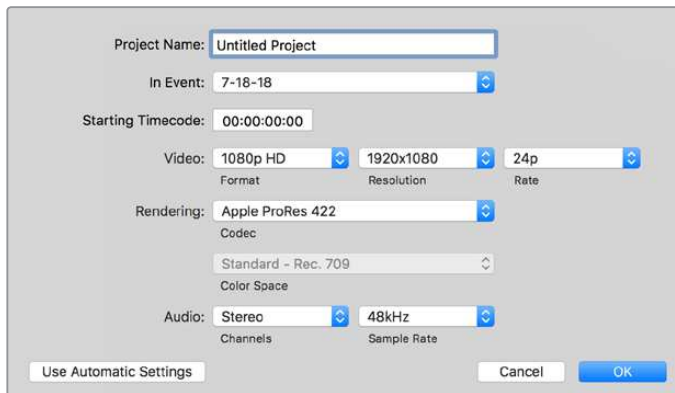
Utilizzare i file dalle unità flash USB C

Per importare le clip da una unità flash USB C:

- 1 Disconnetti l'unità flash USB C dalla camera.
- 2 Collega l'unità flash USB C al tuo computer Mac o Windows tramite la porta USB C. Un cavo USB 3.0 è ideale (USB 2.0 non è abbastanza potente per editare il video in tempo reale).
- 3 Fai doppio clic sull'icona dell'unità USB C per aprire le cartelle contenenti la lista di file QuickTime o Blackmagic RAW. A seconda del formato di registrazione scelto, i file potrebbero essere diversi ma avranno le stesse convenzioni di denominazione.
- 4 Ora trascina i file sul desktop o su un altro supporto di memoria, oppure accedi ai file direttamente dall'unità USB C dal tuo software di montaggio non lineare.
- 5 Prima di disconnettere l'unità flash USB C dal tuo computer, assicurati di effettuare la rimozione sicura.

Istruzioni per Final Cut Pro X

Per montare le clip su Final Cut Pro X, crea un nuovo progetto scegliendo un formato video e un frame rate adatti. Questo esempio usa le impostazioni ProRes 422 HQ 1080p24.



Le impostazioni del progetto di Final Cut Pro X

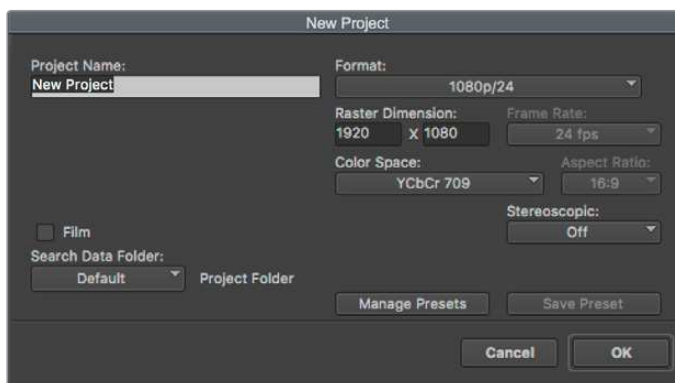
- 1 Apri Final Cut Pro X, vai nella barra del menù e seleziona **File > New Project**. Apparirà la finestra impostazioni del progetto.
- 2 Digita il nome del progetto e seleziona la casella **Custom**.
- 3 In **Video Properties**, seleziona 1080p HD, 1920x1080 e 24p.
- 4 In **Audio > Render Properties**, seleziona Stereo, 48kHz, e Apple ProRes 422 HQ.
- 5 Clicca su **OK**.

Importa le clip nel nuovo progetto selezionando **File > Import > Media** dalla barra del menù. Scegli le clip dalla scheda CFast.

Trascina le clip sulla timeline per il montaggio.

Istruzioni per Avid Media Composer 2018

Per montare le clip su Avid Media Composer 2018, crea un nuovo progetto scegliendo un formato video e un frame rate adatti. Questo esempio usa l'impostazione 1080p24.



Impostazioni del progetto di Avid Media Composer 2018

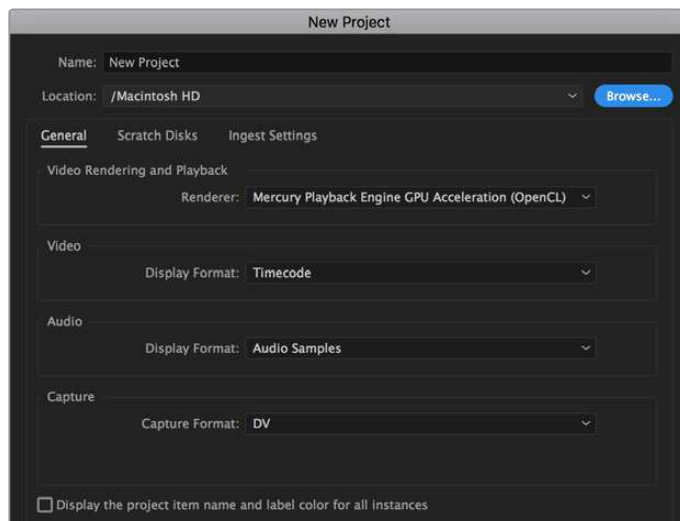
- 1 Apri Media Composer 2018. Apparirà la finestra **Select Project**.
- 2 Clicca su **New Project** e assegna un nome al progetto.

- 3 Dal menù a discesa **Format** seleziona HD 1080 > 1080p/24 e clicca su **OK** per creare il progetto.
- 4 Fai doppio clic sul progetto nella finestra **Select Project** per aprirlo.
- 5 Seleziona **File > Input > Source Browser** e scegli i file da importare.
- 6 Dal menù a discesa seleziona la cartella di destinazione e clicca su **Import**.

Una volta importate le clip nella cartella di destinazione, basta trascinarle sulla timeline per cominciare il montaggio.

Istruzioni per Adobe Premiere Pro CC

Per montare le clip Apple ProRes 422 HQ su Adobe Premiere Pro CC, crea un nuovo progetto scegliendo un formato video e un frame rate adatti. Questo esempio usa le impostazioni ProRes 422 HQ, 1080p25.



Impostazioni del progetto di Adobe Premiere Pro CC

- 1 Apri Adobe Premiere Pro CC. Nella finestra **Welcome** seleziona **New Project**. Apparirà la finestra impostazioni del progetto.
- 2 Digita il nome del progetto, poi scegli dove salvarlo cliccando su **Browse** e selezionando la cartella desiderata. Clicca su **OK** nella finestra **New Project**.
- 3 Per importare le clip, seleziona **File > Import** dalla barra del menù di Adobe Premiere Pro CC. Le clip appariranno nella finestra del progetto.
- 4 Trascina la prima clip per il montaggio sull'icona **New Item** in basso a destra della finestra del progetto. Apparirà una nuova sequenza con le stesse impostazioni della clip.

Trascina il resto delle clip sulla timeline per il montaggio.

Utilità Blackmagic Camera Setup

Aggiornare il software della camera su Mac

Scarica l'utilità Blackmagic Camera Setup e decomprimi il file. Clicca sull'immagine disco, poi sull'icona dell'utilità, e segui le istruzioni. A fine installazione, vai alla cartella Applicazioni e apri Blackmagic Cameras. Qui troverai il manuale, l'utilità Blackmagic Camera Setup, i file readme e altre informazioni. La cartella include un file di disinstallazione per quando si aggiorna il software a nuove versioni.



Aggiornare il software della camera su Windows

Dopo aver scaricato l'utilità Blackmagic Camera Setup e decompresso il file, vedrai una cartella contenente il PDF di questo manuale e l'installer dell'utilità. Fai doppio clic sull'icona dell'applicazione e segui le istruzioni sullo schermo per completare l'installazione.

Su Windows 10, clicca su Start e seleziona Tutte le App. Scorri alla cartella Blackmagic Design. Dalla cartella lancia Blackmagic Camera Setup.

Su Windows 8.1, seleziona l'icona della freccia in basso della pagina Start, e scorri alla cartella Blackmagic Design. Dalla cartella lancia Blackmagic Camera Setup.

Aggiornare il software interno della camera

Dopo aver installato l'utilità Blackmagic Camera Setup sul computer, connetti computer e Pocket Cinema Camera tramite un cavo USB C.

La porta USB C si trova sul lato sinistro della camera. Apri lo sportellino per accedere alla connessione USB.

Lancia l'utilità Blackmagic Camera Setup e segui le istruzioni sullo schermo per aggiornare il software.

Supporti di memoria consigliati

Schede CFast 2.0

Consigliate per Pocket Cinema Camera 6K

Le seguenti schede CFast 2.0 sono consigliate per la registrazione in 6K nel formato Blackmagic RAW 5:1 fino a 50 fps con Pocket Cinema Camera 6K.

Marca	Nome scheda	Capacità
Angelbird	AV Pro CF XT	512GB
CinediskPro	CFast 2.0 510MB/s	256GB
Hagiwara Solutions	CFast 2.0 DC-SMAN64GA	64GB
Hagiwara Solutions	CFast 2.0 DC-SMANA1GA	128GB
KomputerBay	CFast 2.0 3400x	64GB
KomputerBay	CFast 2.0 3400x	128GB
Lexar	CFast 2.0 Professional 3400x	128GB
Lexar	CFast 2.0 Professional 3500x	128GB
ProGrade Digital	CFast 2.0 510MB/s	128GB
ProGrade Digital	CFast 2.0 550MB/s	256GB
ProGrade Digital	CFast 2.0 550MB/s	512GB
Transcend	CFast 2.0 CFX650 TS128GCFX650	128GB
SanDisk	CFast 2.0 Extreme Pro SDCFSP-64G-x46D	64GB
SanDisk	CFast 2.0 Extreme Pro SDCFSP-128G-x46D	128GB
SanDisk	CFast 2.0 Extreme Pro SDCFSP-256G-x46D	256GB
SanDisk	CFast 2.0 Extreme Pro SDCFSP-512G-x46D	512GB
Silicon Power	CFast 2.0 CFX310	512GB
Sony	CFast 2.0 G Series CAT-G64	64GB
Sony	CFast 2.0 G Series CAT-G128	128GB
Wise	CFast 2.0 CFA-2560 3400x	256GB
Wise	CFast 2.0 CFA-5120 3500x	512GB
Wise	CFast 2.0 CFA-10240 3500x	1TB

Le seguenti schede CFast 2.0 sono consigliate per la registrazione in 6K 2.4:1 nel formato Blackmagic RAW 5:1 fino a 60 fps con Pocket Cinema Camera 6K.

Marca	Nome scheda	Capacità
Angelbird	AV Pro CF XT	512GB
CinediskPro	CFast 2.0 510MB/s	256GB
Hagiwara Solutions	CFast 2.0 DC-SMAN64GA	64GB
Hagiwara Solutions	CFast 2.0 DC-SMANA1GA	128GB

Marca	Nome scheda	Capacità
KomputerBay	CFast 2.0 3400x	64GB
KomputerBay	CFast 2.0 3400x	128GB
Lexar	CFast 2.0 Professional 3400x	128GB
Lexar	CFast 2.0 Professional 3500x	128GB
ProGrade Digital	CFast 2.0 510MB/s	128GB
ProGrade Digital	CFast 2.0 550MB/s	256GB
ProGrade Digital	CFast 2.0 550MB/s	512GB
Transcend	CFast 2.0 CFX650 TS128GCFX650	128GB
SanDisk	CFast 2.0 Extreme Pro SDCFSP-64G-x46D	64GB
SanDisk	CFast 2.0 Extreme Pro SDCFSP-128G-x46D	128GB
SanDisk	CFast 2.0 Extreme Pro SDCFSP-256G-x46D	256GB
SanDisk	CFast 2.0 Extreme Pro SDCFSP-512G-x46D	512GB
Silicon Power	CFast 2.0 CFX310	256GB
Silicon Power	CFast 2.0 CFX310	512GB
Sony	CFast 2.0 G Series CAT-G64	64GB
Sony	CFast 2.0 G Series CAT-G128	128GB
Wise	CFast 2.0 CFA-1280 3400x	128GB
Wise	CFast 2.0 CFA-2560 3400x	256GB
Wise	CFast 2.0 CFA-5120 3500x	512GB
Wise	CFast 2.0 CFA-10240 3500x	1TB

Le seguenti schede CFast 2.0 sono consigliate per la registrazione in 2.8K 17:9 nel formato Blackmagic RAW 3:1 fino a 120 fps con Pocket Cinema Camera 6K.

Marca	Nome scheda	Capacità
Angelbird	AV Pro CF XT	512GB
CinediskPro	CFast 2.0 510MB/s	256GB
Hagiwara Solutions	CFast 2.0 DC-SMAN64GA	64GB
Hagiwara Solutions	CFast 2.0 DC-SMANA1GA	128GB
KomputerBay	CFast 2.0 3400x	64GB
KomputerBay	CFast 2.0 3400x	128GB
Lexar	CFast 2.0 Professional 3400x	128GB
Lexar	CFast 2.0 Professional 3500x	128GB
Lexar	CFast 2.0 Professional 3400x	256GB
ProGrade Digital	CFast 2.0 510MB/s	128GB
ProGrade Digital	CFast 2.0 550MB/s	256GB
ProGrade Digital	CFast 2.0 550MB/s	512GB
Transcend	CFast 2.0 CFX650 TS128GCFX650	128GB

Marca	Nome scheda	Capacità
SanDisk	CFast 2.0 Extreme Pro SDCFSP-64G-x46D	64GB
SanDisk	CFast 2.0 Extreme Pro SDCFSP-128G-x46D	128GB
SanDisk	CFast 2.0 Extreme Pro SDCFSP-256G-x46D	256GB
SanDisk	CFast 2.0 Extreme Pro SDCFSP-512G-x46D	512GB
Silicon Power	CFast 2.0 CFX310	256GB
Silicon Power	CFast 2.0 CFX310	512GB
Sony	CFast 2.0 G Series CAT-G64	64GB
Sony	CFast 2.0 G Series CAT-G128	128GB
Wise	CFast 2.0 CFA-1280 3400x	128GB
Wise	CFast 2.0 CFA-2560 3400x	256GB
Wise	CFast 2.0 CFA-5120 3500x	512GB
Wise	CFast 2.0 CFA-10240 3500x	1TB

Le seguenti schede CFast 2.0 sono consigliate per la registrazione in 4K DCI nel formato ProRes HQ fino a 60 fps con Pocket Cinema Camera 6K.

Marca	Nome scheda	Capacità
Angelbird	AV Pro CF XT	512GB
CinediskPro	CFast 2.0 510MB/s	256GB
Hagiwara Solutions	CFast 2.0 DC-SMAN64GA	64GB
Hagiwara Solutions	CFast 2.0 DC-SMANA1GA	128GB
KomputerBay	CFast 2.0 3400x	64GB
KomputerBay	CFast 2.0 3400x	128GB
Lexar	CFast 2.0 Professional 3400x	128GB
Lexar	CFast 2.0 Professional 3500x	128GB
Lexar	CFast 2.0 Professional 3400x	256GB
ProGrade Digital	CFast 2.0 510MB/s	128GB
ProGrade Digital	CFast 2.0 550MB/s	256GB
ProGrade Digital	CFast 2.0 550MB/s	512GB
Transcend	CFast 2.0 CFX650 TS128GCFX650	128GB
SanDisk	CFast 2.0 Extreme Pro SDCFSP-64G-x46D	64GB
SanDisk	CFast 2.0 Extreme Pro SDCFSP-128G-x46D	128GB
SanDisk	CFast 2.0 Extreme Pro SDCFSP-256G-x46D	256GB
SanDisk	CFast 2.0 Extreme Pro SDCFSP-512G-x46D	512GB
Silicon Power	CFast 2.0 CFX310	256GB
Silicon Power	CFast 2.0 CFX310	512GB
Sony	CFast 2.0 G Series CAT-G64	64GB
Sony	CFast 2.0 G Series CAT-G128	128GB

Marca	Nome scheda	Capacità
Wise	CFast 2.0 CFA-1280 3400x	128GB
Wise	CFast 2.0 CFA-2560 3400x	256GB
Wise	CFast 2.0 CFA-5120 3500x	512GB
Wise	CFast 2.0 CFA-10240 3500x	1TB

Le seguenti schede CFast 2.0 sono consigliate per la registrazione in 1080 nel formato ProRes 422 HQ fino a 120 fps con Pocket Cinema Camera 6K.

Marca	Nome scheda	Capacità
Angelbird	AV Pro CF XT	512GB
CinediskPro	CFast 2.0 510MB/s	256GB
Hagiwara Solutions	CFast 2.0 DC-SMAN64GA	64GB
Hagiwara Solutions	CFast 2.0 DC-SMANA1GA	128GB
KomputerBay	CFast 2.0 3400x	64GB
KomputerBay	CFast 2.0 3400x	128GB
Lexar	CFast 2.0 Professional 3400x	128GB
Lexar	CFast 2.0 Professional 3500x	128GB
Lexar	CFast 2.0 Professional 3400x	256GB
ProGrade Digital	CFast 2.0 510MB/s	128GB
ProGrade Digital	CFast 2.0 550MB/s	256GB
ProGrade Digital	CFast 2.0 550MB/s	512GB
Transcend	CFast 2.0 CFX650 TS128GCFX650	128GB
SanDisk	CFast 2.0 Extreme Pro SDCFSP-64G-x46D	64GB
SanDisk	CFast 2.0 Extreme Pro SDCFSP-128G-x46D	128GB
SanDisk	CFast 2.0 Extreme Pro SDCFSP-256G-x46D	256GB
SanDisk	CFast 2.0 Extreme Pro SDCFSP-512G-x46D	512GB
Silicon Power	CFast 2.0 CFX310	256GB
Silicon Power	CFast 2.0 CFX310	512GB
Sony	CFast 2.0 G Series CAT-G64	64GB
Sony	CFast 2.0 G Series CAT-G128	128GB
Wise	CFast 2.0 CFA-1280 3400x	128GB
Wise	CFast 2.0 CFA-2560 3400x	256GB
Wise	CFast 2.0 CFA-5120 3500x	512GB
Wise	CFast 2.0 CFA-10240 3500x	1TB

Consigliate per Pocket Cinema Camera 4K

Le seguenti schede CFast 2.0 sono consigliate per la registrazione in 4K DCI nel formato Blackmagic RAW 3:1 fino a 60 fps con Pocket Cinema Camera 4K.

Marca	Nome scheda	Capacità
Angelbird	AV Pro CF	512GB
Angelbird	AV Pro CF	1TB
CinediskPro	CFast 2.0 510MB/s	256GB
Hagiwara Solutions	CFast 2.0 DC-SMAN64GA	64GB
Hagiwara Solutions	CFast 2.0 DC-SMANA1GA	128GB
KomputerBay	CFast 2.0 3400x	64GB
KomputerBay	CFast 2.0 3400x	128GB
KomputerBay	CFast 2.0 3700x	256GB
Lexar	CFast 2.0 Professional 3400x	128GB
Lexar	CFast 2.0 Professional 3500x	256GB
ProGrade Digital	CFast 2.0 550MB/s	128GB
ProGrade Digital	CFast 2.0 550MB/s	256GB
ProGrade Digital	CFast 2.0 550MB/s	512GB
SanDisk	CFast 2.0 Extreme Pro SDCFSP-256G-x46D	512GB
Wise	CFast 2.0 CFA-1280 3400x	128GB
Wise	CFast 2.0 CFA-2560 3400x	256GB
Wise	CFast 2.0 CFA-5120 3500x	512GB
Wise	CFast 2.0 CFA-10240 3500x	1TB

Le seguenti schede CFast 2.0 sono consigliate per la registrazione in 4K DCI nel formato ProRes HQ fino a 60 fps con Pocket Cinema Camera 4K.

Marca	Nome scheda	Capacità
Angelbird	AV Pro CF	128GB
Angelbird	AV Pro CF	256GB
Angelbird	AV Pro CF	512GB
CinediskPro	CFast 2.0 510MB/s	256GB
Hagiwara Solutions	CFast 2.0 DC-SMAN64GA	64GB
Hagiwara Solutions	CFast 2.0 DC-SMANA1GA	128GB
KomputerBay	CFast 2.0 3400x	128GB
KomputerBay	CFast 2.0 3700x	256GB
ProGrade Digital	CFast 2.0 550MB/s	256GB
ProGrade Digital	CFast 2.0 550MB/s	512GB
SanDisk	CFast 2.0 Extreme Pro SDCFSP-64G-x46D	64GB
SanDisk	CFast 2.0 Extreme Pro SDCFSP-128G-x46D	128GB

Marca	Nome scheda	Capacità
SanDisk	CFast 2.0 Extreme Pro SDCFSP-256G-x46D	256GB
Sony	CFast 2.0 G Series CAT-G64	64GB
Sony	CFast 2.0 G Series CAT-G128	128GB
Wise	CFast 2.0 CFA-1280 3400x	128GB
Wise	CFast 2.0 CFA-2560 3400x	256GB
Wise	CFast 2.0 CFA-5120 3500x	512GB
Wise	CFast 2.0 CFA-10240 3500x	1TB

Le seguenti schede CFast 2.0 sono consigliate per la registrazione in 4K DCI nel formato RAW lossless fino a 30 fps con Pocket Cinema Camera 4K.

Marca	Nome scheda	Capacità
Angelbird	AV Pro CF	128GB
Angelbird	AV Pro CF	256GB
Angelbird	AV Pro CF	512GB
CinediskPro	CFast 2.0 510MB/s	256GB
KomputerBay	CFast 2.0 3400x	128GB
ProGrade Digital	CFast 2.0 550MB/s	256GB
ProGrade Digital	CFast 2.0 550MB/s	512GB
SanDisk	CFast 2.0 Extreme Pro SDCFSP-64G-x46D	64GB
SanDisk	CFast 2.0 Extreme Pro SDCFSP-128G-x46D	128GB
SanDisk	CFast 2.0 Extreme Pro SDCFSP-256G-x46D	256GB
Sony	CFast 2.0 G Series CAT-G64	64GB
Sony	CFast 2.0 G Series CAT-G128	128GB
Wise	CFast 2.0 CFA-1280 3400x	128GB
Wise	CFast 2.0 CFA-2560 3400x	256GB
Wise	CFast 2.0 CFA-5120 3500x	512GB

Le seguenti schede CFast 2.0 sono consigliate per la registrazione in 4K DCI nel formato RAW 3:1 fino a 60 fps con Pocket Cinema Camera 4K.

Marca	Nome scheda	Capacità
Angelbird	AV Pro CF	128GB
Angelbird	AV Pro CF	256GB
Angelbird	AV Pro CF	512GB
CinediskPro	CFast 2.0 510MB/s	256GB
KomputerBay	CFast 2.0 3400x	128GB

Marca	Nome scheda	Capacità
ProGrade Digital	CFast 2.0 550MB/s	256GB
ProGrade Digital	CFast 2.0 550MB/s	512GB
SanDisk	CFast 2.0 Extreme Pro SDCFSP-64G-x46D	64GB
SanDisk	CFast 2.0 Extreme Pro SDCFSP-128G-x46D	128GB
SanDisk	CFast 2.0 Extreme Pro SDCFSP-256G-x46D	256GB
Sony	CFast 2.0 G Series CAT-G64	64GB
Sony	CFast 2.0 G Series CAT-G128	128GB
Wise	CFast 2.0 CFA-1280 3400x	128GB
Wise	CFast 2.0 CFA-2560 3400x	256GB
Wise	CFast 2.0 CFA-5120 3500x	512GB

Schede SD

Consigliate per Pocket Cinema Camera 6K

Le seguenti schede SD sono consigliate per la registrazione in 6K 16:9 nel formato Blackmagic RAW 5:1 fino a 30 fps con Pocket Cinema Camera 6K.

Marca	Nome scheda	Capacità
Angelbird	SD AV Pro V90	64GB
Sony	SDXC Tough SF-G32T	32GB
Sony	SDXC Tough SF-G64T	64GB
Sony	SDXC Tough SF-G128T	128GB
Toshiba	SDXC UHS II Exceria Pro 270MB/s	64GB
Wise	SDXC UHS II SD2-128U3	128GB

Le seguenti schede SD sono consigliate per la registrazione in 6K 16:9 nel formato Blackmagic RAW 8:1 fino a 30 fps con Pocket Cinema Camera 6K.

Marca	Nome scheda	Capacità
Angelbird	SD AV Pro V90	64GB
Sony	SDXC Tough SF-G32T	32GB
Sony	SDXC Tough SF-G64T	64GB
Sony	SDXC Tough SF-G128T	128GB
Toshiba	SDXC UHS II Exceria Pro 270MB/s	64GB
Toshiba	SDXC UHS II Exceria Pro 270MB/s	128GB
Toshiba	SDXC UHS II Exceria Pro N502	128GB
Wise	SDXC UHS II SD2-128U3	128GB

Le seguenti schede SD sono consigliate per la registrazione in 6K 2.4:1 nel formato Blackmagic RAW 12:1 fino a 60 fps con Pocket Cinema Camera 6K.

Marca	Nome scheda	Capacità
Angelbird	SD AV Pro V90	64GB
Sony	SDXC Tough SF-G32T	32GB
Sony	SDXC Tough SF-G64T	64GB
Sony	SDXC Tough SF-G128T	128GB
Toshiba	SDXC UHS II Exceria Pro 270MB/s	64GB
Toshiba	SDXC UHS II Exceria Pro 270MB/s	128GB
Toshiba	SDXC UHS II Exceria Pro N502	128GB

Le seguenti schede SD sono consigliate per la registrazione in 4K DCI nel formato ProRes HQ fino a 60 fps con Pocket Cinema Camera 4K.

Marca	Nome scheda	Capacità
Angelbird	SD AV Pro V90	64GB
Delkin	SDXC UHS II Power	64GB
Delkin	SDXC UHS II Prime	128GB
ProGrade Digital	SDXC UHS II V90 250MB/s	128GB
ProGrade Digital	SDXC UHS II V90 250MB/s	256GB
Sony	SDXC Tough SF-G32T	32GB
Sony	SDXC Tough SF-G64T	64GB
Sony	SDXC Tough SF-G128T	128GB
Wise	SDXC UHS II SD2-64U3	64GB
Wise	SDXC UHS II SD2-128U3	128GB
Toshiba	SDXC UHS II Exceria Pro N502	128GB

Le seguenti schede SD sono consigliate per la registrazione in 1080 nel formato ProRes 422 HQ fino a 120 fps con Pocket Cinema Camera 6K.

Marca	Nome scheda	Capacità
Angelbird	SD AV Pro V90	64GB
Delkin	SDXC UHS II Power	64GB
Delkin	SDXC UHS II Prime	128GB
Lexar	SDXC UHS II Professional 2000x 300MB/s	64GB
Lexar	SDXC UHS II Professional 2000x 300MB/s	128GB
ProGrade Digital	SDXC UHS II V90 250MB/s	256GB
Sony	SDXC Tough SF-G32T	32GB
Sony	SDXC Tough SF-G64T	64GB
Sony	SDXC Tough SF-G128T	128GB

Marca	Nome scheda	Capacità
Toshiba	SDXC UHS II Exceria Pro 270MB/s	64GB
Toshiba	SDXC UHS II Exceria Pro 270MB/s	128GB
Toshiba	SDXC UHS II Exceria Pro N502	128GB
Toshiba	SDXC UHS II Exceria Pro N502	256GB
Wise	SDXC UHS II SD2-64U3	64GB
Wise	SDXC UHS II SD2-128U3	128GB

Consigliate per Pocket Cinema Camera 4K

Le seguenti schede SD sono consigliate per la registrazione in 4K DCI nel formato Blackmagic RAW 12:1 fino a 30 fps con Pocket Cinema Camera 4K.

Marca	Nome scheda	Capacità
Angelbird	SD AV Pro V90	64GB
Delkin	SDXC UHS II Power	64GB
Delkin	SDXC UHS II Power	128GB
Lexar	SDXC UHS II Professional 2000x 300MB/s	64GB
ProGrade Digital	SDXC UHS II V90 250MB/s	256GB
SanDisk	SDXC UHS I Extreme Pro 95MB/s	512GB
Sony	SDXC Tough SF-G64T	64GB
Sony	SDXC Tough SF-G128T	128GB
Sony	SDXC UHS II SF-G64 300MB/s	64GB
Toshiba	SDXC UHS II Exceria Pro N502	32GB
Toshiba	SDXC UHS II Exceria Pro 270MB/s	64GB
Wise	SDXC UHS II SD2-64U3	64GB
Wise	SDXC UHS II SD2-128U3	128GB
Wise	SDXC UHS II SD2-128U3	128GB

Le seguenti schede SD sono consigliate per la registrazione in 4K DCI nel formato ProRes HQ fino a 60 fps con Pocket Cinema Camera 4K.

Marca	Nome scheda	Capacità
Wise	SDXC UHS II SD2-64U3	64GB
Wise	SDXC UHS II SD2-128U3	128GB
Sony	SDXC Tough SF-G64T	64GB
Sony	SDXC Tough SF-G128T	128GB

Le seguenti schede SD sono consigliate per la registrazione in 4K DCI nel formato RAW 4:1 fino a 60 fps con Pocket Cinema Camera 4K.

Marca	Nome scheda	Capacità
Sony	SDXC Tough SF-G64T	64GB
Sony	SDXC Tough SF-G128T	128GB
Toshiba	SDXC UHS II Exceria Pro N502	32GB

Le seguenti schede SD sono consigliate per la registrazione in 4K DCI nel formato RAW lossless fino a 24 fps con Pocket Cinema Camera 4K.

Marca	Nome scheda	Capacità
Wise	SDXC UHS II SD2-64U3	64GB
Wise	SDXC UHS II SD2-128U3	128GB
Toshiba	SDXC UHS II Exceria Pro N502	32GB
Sony	SDXC Tough SF-G64T	64GB
Sony	SDXC Tough SF-G128T	128GB

Le seguenti schede SD sono consigliate per la registrazione a 1080p nel formato RAW lossless fino a 60 fps con Pocket Cinema Camera 4K.

Marca	Nome scheda	Capacità
Wise	SDXC UHS II SD2-64U3	64GB
Wise	SDXC UHS II SD2-128U3	128GB
Sony	SDXC Tough SF-G64T	64GB
Sony	SDXC Tough SF-G128T	128GB
Toshiba	SDXC UHS II Exceria Pro N502	32GB
Toshiba	SDXC UHS II Exceria Pro N502	64GB
Toshiba	SDXC UHS II Exceria Pro N502	128GB
Toshiba	SDXC UHS II Exceria Pro N502	256GB
Sony	SDXC Tough SF-G128T	128GB

SSD USB C

Consigliate per Pocket Cinema Camera 6K

Le seguenti unità USB C sono consigliate per la registrazione in 6K nel formato Blackmagic RAW 5:1 fino a 50 fps con Pocket Cinema Camera 6K.

Marca	Nome scheda	Capacità
Wise	Portable SSD PTS-1024	1TB

Le seguenti unità USB C sono consigliate per la registrazione in 6K 2.4:1 nel formato Blackmagic RAW 5:1 fino a 60 fps con Pocket Cinema Camera 6K.

Marca	Nome scheda	Capacità
Samsung	Portable SSD T5	250GB
Samsung	Portable SSD T5	2TB
Wise	Portable SSD PTS-1024	1TB

Le seguenti unità USB C sono consigliate per la registrazione in 2.8K 17:9 nel formato Blackmagic RAW 3:1 fino a 120 fps con Pocket Cinema Camera 6K.

Marca	Nome scheda	Capacità
Samsung	Portable SSD T5	250GB
Samsung	Portable SSD T5	2TB
Wise	Portable SSD PTS-512	512GB
Wise	Portable SSD PTS-1024	1TB

Le seguenti unità USB C sono consigliate per la registrazione in 4K DCI ProRes HQ fino a 60 fps con Pocket Cinema Camera 6K.

Marca	Nome scheda	Capacità
Samsung	Portable SSD T5	250GB
Samsung	Portable SSD T5	1TB
Samsung	Portable SSD T5	2TB
SanDisk	Extreme Portable SSD	1TB
Wise	Portable SSD PTS-512	512GB
Wise	Portable SSD PTS-1024	1TB
Wise	Portable SSD PTS-1024	1TB

Le seguenti unità USB C sono consigliate per la registrazione in 1080 nel formato ProRes 422 HQ fino a 120 fps con Pocket Cinema Camera 6K.

Marca	Nome scheda	Capacità
Samsung	Portable SSD T5	250GB
Samsung	Portable SSD T5	1TB
Samsung	Portable SSD T5	2TB
SanDisk	Extreme Portable SSD	1TB
Wise	Portable SSD PTS-512	512GB
Wise	Portable SSD PTS-1024	1TB
Wise	Portable SSD PTS-1024	1TB

Consigliate per Pocket Cinema Camera 4K

Le seguenti unità USB C sono consigliate per la registrazione in 4K DCI nel formato Blackmagic RAW 3:1 fino a 60 fps con Pocket Cinema Camera 4K.

Marca	Nome scheda	Capacità
Angelbird	SSD2GO PKT	512GB
Angelbird	SSD2GO PKT	2TB
G-Technology	Mobile SSD G-Drive	1TB
Samsung	Portable SSD T5	2TB
Wise	Portable SSD PTS-512	512GB

Le seguenti unità USB C sono consigliate per la registrazione in 4K DCI nel formato ProRes HQ fino a 60 fps con Pocket Cinema Camera 4K.

Marca	Nome scheda	Capacità
Angelbird	SSD2GO PKT	512GB
Angelbird	SSD2GO PKT	2TB
Glyph	Atom	500GB
Lacie	Portable SSD	500GB
Samsung	Portable SSD T5	500GB
Samsung	Portable SSD T5	1TB
SanDisk	Extreme Portable SSD	1TB
Seagate	Fast SSD	250GB
Wise	Portable SSD PTS-256	256GB
Wise	Portable SSD PTS-512	512GB
Wise	Portable SSD PTS-1024	1TB

Le seguenti unità USB C sono consigliate per la registrazione in 4K DCI nel formato RAW lossless fino a 30 fps con Pocket Cinema Camera 4K.

Marca	Nome scheda	Capacità
Angelbird	SSD2GO PKT	512GB
Angelbird	SSD2GO PKT	2TB
Samsung	Portable SSD T5	1TB
Wise	Portable SSD PTS-256	256GB
Wise	Portable SSD PTS-512	512GB
Wise	Portable SSD PTS-1024	1TB

Le seguenti unità USB C sono consigliate per la registrazione in 4K DCI nel formato RAW 3:1 fino a 60 fps con Pocket Cinema Camera 4K.

Marca	Nome scheda	Capacità
Angelbird	SSD2GO PKT	512GB
Angelbird	SSD2GO PKT	2TB
Samsung	Portable SSD T5	500GB
Samsung	Portable SSD T5	1TB
Wise	Portable SSD PTS-256	256GB
Wise	Portable SSD PTS-512	512GB
Wise	Portable SSD PTS-1024	1TB

Assistenza

Il modo più veloce di ottenere assistenza è visitare la pagina Supporto di Blackmagic Design. Lì trovi sempre il materiale di supporto più recente.

Pagina di supporto online

L'ultima versione del manuale e del software e le note di supporto più recenti sono disponibili alla pagina www.blackmagicdesign.com/it/support

Contattare il team di supporto Blackmagic Design

Se il materiale di supporto online non risponde alle tue domande, clicca su **Inviaci una email** oppure **Trova un team di supporto** per contattare direttamente il team Blackmagic Design più vicino a te.

Dove trovare la versione del tuo software

Per verificare quale versione del software Blackmagic Camera Setup è installata sul tuo computer, apri la tab **About Blackmagic Camera Setup**.

- Su macOS, apri la cartella Applicazioni e seleziona About Blackmagic Camera Setup. La tab About Blackmagic Camera Setup mostra il numero della versione installata.
- Su Windows, seleziona Blackmagic Camera Setup dal menù Start. Clicca su Help e seleziona About Blackmagic Camera Setup per scoprirne la versione.

Scaricare gli aggiornamenti

Dopo aver verificato quale versione del software Blackmagic Camera Setup è installata sul tuo computer, visita la pagina Supporto di Blackmagic Design su www.blackmagicdesign.com/it/support per scaricare gli aggiornamenti più recenti. Ti consigliamo di non aggiornare il software se sei nel mezzo di un progetto importante.

Normative

Smaltimento di apparecchiature elettriche ed elettroniche nell'Unione Europea



Questo simbolo indica che il dispositivo non deve essere scartato insieme agli altri rifiuti, ma consegnato a uno degli appositi centri di raccolta e riciclaggio. La raccolta e lo smaltimento differenziato corretto di questo tipo di apparecchiatura evita lo spreco di risorse e contribuisce alla sostenibilità ambientale e umana. Per tutte le informazioni sui centri di raccolta e riciclaggio, contatta gli uffici del tuo comune di residenza o il punto vendita presso cui hai acquistato il dispositivo.

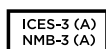


Questo dispositivo è stato testato e dichiarato conforme ai limiti relativi ai dispositivi digitali di Classe A, come indicato nella Parte 15 del regolamento FCC. Tali limiti sono stati stabiliti con lo scopo di fornire protezione ragionevole da interferenze dannose in ambienti commerciali. Questo dispositivo genera, usa e può irradiare energia a radiofrequenza e, se non è installato o usato in conformità alle istruzioni, può causare interferenze dannose che compromettono le comunicazioni radio. Operare questo dispositivo in ambienti residenziali può causare interferenze dannose, nella cui evenienza l'utente dovrà porvi rimedio a proprie spese.

Il funzionamento è soggetto alle due condizioni seguenti:

- 1 Questo dispositivo non deve causare interferenze dannose.
- 2 Il dispositivo deve accettare eventuali interferenze ricevute, incluse le interferenze che possono causare un funzionamento indesiderato.

Dichiarazione ISED (Canada)



Questo dispositivo è conforme agli standard canadesi sui dispositivi digitali di Classe A.

Qualsiasi modifica o utilizzo del dispositivo al di fuori di quello previsto potrebbero invalidare la conformità a tali standard.

La connessione alle interfacce HDMI deve essere fatta con cavi schermati HDMI di alta qualità.

Questo dispositivo è stato testato per l'uso in ambienti commerciali. Se utilizzato in ambienti domestici, potrebbe causare interferenze radio.

Bluetooth®

Questo dispositivo è operabile tramite la tecnologia wireless Bluetooth.

Contiene il modulo di trasmissione FCC ID: QOQBGM113

Questo dispositivo rispetta i limiti di esposizione alle radiazioni negli ambienti non controllati dettati dalla FCC.

Contiene il modulo di trasmissione IC: 5123A-BGM113

Questo dispositivo rispetta la normativa di Industry Canada, che prevede l'esenzione di determinati standard RSS ed eccezioni da valutazioni SAR di routine secondo la normativa RSS-102 Issue 5.

Certificato per il Giappone con il numero: 209-J00204. Questo dispositivo contiene attrezzatura radio certificata secondo la Technical Regulation Conformity Certification ai sensi della legge sulle apparecchiature radio.

Questo dispositivo è certificato per la Corea del Sud con il numero:
MSIP-CRM-BGT-BGM113

Blackmagic Design dichiara che questo dispositivo utilizza sistemi di trasmissione a banda larga ISM a 2,4 GHz, ai sensi della direttiva 2014/53/EU.

Per il testo integrale della dichiarazione di conformità alle direttive EU, contatta compliance@blackmagicdesign.com.

Sicurezza

Blackmagic Pocket Cinema Camera è adatta all'uso nei luoghi tropicali con una temperatura ambiente non superiore ai 40°C.

Le parti all'interno del dispositivo non sono riparabili dall'utente. Contattare un centro assistenza Blackmagic Design per le operazioni di manutenzione.

In condizioni di forte illuminazione, si consiglia di coprire il dispositivo per evitare che la camera e la batteria al litio siano esposte alla luce del sole per lunghi periodi. Mantenere le batterie al litio lontano dalle sorgenti di calore.



Usare il dispositivo a un'altitudine non superiore a 2000 m sopra il livello del mare.

Dichiarazione dello Stato della California

Questo dispositivo può esporre l'utente a sostanze chimiche, per esempio tracce di bifenili polibromurati nelle parti in plastica, che nello Stato della California sono considerati causa di cancro e di difetti alla nascita o di altri difetti riproduttivi.

Per maggiori informazioni, visitare la pagina www.P65Warnings.ca.gov.

Garanzia

Garanzia limitata

Blackmagic Design garantisce che questo prodotto è fornito privo di difetti nei materiali e nella manifattura per un periodo di un anno a partire dalla data d'acquisto. Durante il periodo di garanzia Blackmagic Design riparerà o, a sua scelta, sostituirà tutti i componenti che risultino difettosi esonerando il/la Cliente da costi aggiuntivi, purché i componenti vengano restituiti dal/la Cliente.

Per ottenere l'assistenza coperta dalla presente garanzia, il/la Cliente deve notificare Blackmagic Design del difetto entro il periodo di garanzia, e provvedere a organizzare il servizio di riparazione. Il Cliente è responsabile del costo di imballaggio e di spedizione del prodotto al centro di assistenza indicato da Blackmagic Design, con spese di spedizione prepagate. Il costo include spedizione, assicurazione, tasse, dogana, e altre spese pertinenti alla resa del prodotto a Blackmagic Design.

Questa garanzia perde di validità per danni causati da un utilizzo improprio, o da manutenzione e cura inadeguate del prodotto. Blackmagic Design non ha obbligo di assistenza e riparazione sotto garanzia per danni al prodotto risultanti da: a) precedenti tentativi di installazione, riparazione o manutenzione da personale non autorizzato, ovvero al di fuori del personale Blackmagic Design, b) precedenti usi impropri o tentativi di connessione ad attrezzatura incompatibile con il prodotto, c) precedente uso di parti o ricambi non originali Blackmagic Design, o d) precedenti modifiche o integrazione del prodotto ad altri prodotti, con il risultato di rendere la riparazione più difficoltosa o di allungare le tempistiche di eventuali ispezioni atte alla riparazione.

LA PRESENTE GARANZIA DI BLACKMAGIC DESIGN SOSTITUISCE QUALSIASI ALTRA GARANZIA, ESPLICITA O IMPLICITA. BLACKMAGIC DESIGN E I SUOI FORNITORI ESCLUDONO QUALSIASI ALTRA GARANZIA IMPLICITA DI COMMERCIALIZZABILITÀ O DI IDONEITÀ AD UN USO SPECIFICO. L'INTERA RESPONSABILITÀ DI BLACKMAGIC DESIGN E L'UNICO ESCLUSIVO RICORSO DELL'UTENTE PER QUALSIASI DANNO ARRECATO DI NATURA INDIRECTA, SPECIFICA, ACCIDENTALE O CONSEGUENZIALE, ANCHE QUALORA BLACKMAGIC DESIGN FOSSE STATA AVVERTITA DELLA POSSIBILITÀ DI TALI DANNI, È LA RIPARAZIONE O LA SOSTITUZIONE DEI PRODOTTI DIFETTOSI DURANTE IL PERIODO DI GARANZIA. BLACKMAGIC DESIGN NON SI ASSUME ALCUNA RESPONSABILITÀ PER QUALSIASI USO ILLEGALE DEL DISPOSITIVO DA PARTE DEL CLIENTE. BLACKMAGIC DESIGN NON SI ASSUME ALCUNA RESPONSABILITÀ PER DANNI DERIVANTI DALL'USO DI QUESTO PRODOTTO. Il/la Cliente utilizza questo prodotto a proprio rischio.

© Copyright 2019 Blackmagic Design. Tutti i diritti riservati. 'Blackmagic Design', 'URSA', 'DeckLink', 'HDLINK', 'Workgroup Videohub', 'Multibridge Pro', 'Multibridge Extreme', 'Intensity' e 'Leading the creative video revolution' sono marchi registrati negli Stati Uniti e in altri Paesi. Altri nomi di prodotti e aziende qui contenuti potrebbero essere marchi dei rispettivi proprietari.

Il nome, marchio e logo Bluetooth sono registrati e appartengono a Bluetooth SIG, Inc. Qualsiasi uso da parte di Blackmagic Design di questi marchi registrati è sotto licenza. Altri nomi di prodotti e marchi registrati ivi contenuti appartengono ai rispettivi proprietari.



Manual de Instalação e Operação

Blackmagic Pocket Cinema Camera

Inclui Blackmagic Pocket Cinema Camera 6K
e Blackmagic Pocket Cinema Camera 4K

Novembro 2019

Português



Bem-vindo

Obrigado por adquirir sua nova Blackmagic Pocket Cinema Camera!

Em 2013, lançamos a Blackmagic Pocket Cinema Camera original. Estávamos animados por criar uma câmera pequena com grande alcance dinâmico e uma qualidade de imagem sem precedentes, que pudesse ser levada a qualquer lugar. Depois de todo o seu incrível feedback e dos pedidos para que fizéssemos uma versão 4K, nós fizemos exatamente isso e apresentamos a Pocket Cinema Camera 4K em 2018. Agora estamos felizes de apresentar a Blackmagic Pocket Cinema Camera 6K!

A Blackmagic Pocket Cinema Camera 6K inclui um sensor de tamanho Super 35mm e montagem de lente EF. A Blackmagic Pocket Cinema Camera 4K possui os mesmos encaixes de lente Micro Quatro Terços que o modelo original Pocket Cinema Camera para que você possa utilizar todas as suas lentes MFT existentes. A Blackmagic Pocket Cinema 4K grava vídeos 4K a até 60 quadros por segundo e HD a até 120 quadros por segundo em cartões CFast e SD UHS-II. A Blackmagic Pocket Cinema Camera 6K amplia essas capacidades para que você também possa gravar vídeos 2.8K a 120 quadros por segundo e vídeos 6K a até 60 quadros por segundo. A porta USB-C permite que você grave em drives externos para que possa desconectar o drive da sua câmera e conectá-lo diretamente ao seu computador para um fluxo de trabalho de arquivo instantâneo.

Com 13 stops de faixa dinâmica e dois ISO nativos, é possível gravar belas imagens com nitidez cinematográfica em diversas condições de iluminação. A tela de toque LCD de 5 polegadas permite que você verifique o foco e veja detalhes finos com facilidade, mesmo sob luz diurna intensa, e quatro microfones integrados fornecem áudio de alta qualidade diretamente na câmera.

A sua Blackmagic Pocket Cinema Camera foi feita a partir de um composto reforçado por fibra de carbono incrivelmente robusto, superleve e fácil de carregar para qualquer lugar. A sua câmera pode ser alimentada através de uma bateria LP-E6 padrão, um adaptador AC ou uma fonte externa 12 V DC. Também nos orgulhamos de incluir nosso codec Blackmagic RAW, que oferece a flexibilidade do processamento RAW em um único arquivo, possibilitando um aumento substancial do desempenho com tamanhos de arquivo reduzidos.

Estamos muito animados para ver seus trabalhos criativos com a nova Blackmagic Pocket Cinema Camera. Mal podemos esperar para receber seu feedback sobre os novos recursos e suas sugestões sobre o que gostaria de ver incluído na sua câmera!

Grant Petty

Diretor Executivo da Blackmagic Design

Índice

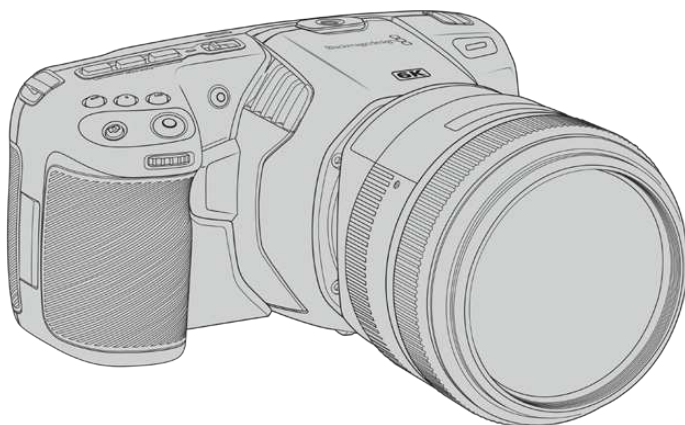
Blackmagic Pocket Cinema Camera

Qual câmera você está usando?	1293	Predefinições	1370
Instruções Preliminares	1294	LUTs 3D	1372
Encaixar uma Lente	1294	Inserção de Metadados	1375
Ligar Sua Câmera	1295	Claquete	1375
Usar Blackmagic Pocket Camera Battery Grip	1295	Saída de Vídeo da Câmera	1380
Alimentar a Câmera com o Cabo de Alimentação Incluso	1297	Usar o DaVinci Resolve	1381
Mídias de Armazenamento	1298	Gerente de Projetos	1381
Cartões CFast	1298	Editar com a Página Corte	1382
Cartões SD	1299	Adicionar Clipes à Linha de Tempo	1385
Unidades Flash USB-C	1301	Editar Clipes na Linha de Tempo	1386
Preparar Mídias para Gravação	1303	Adicionar Títulos	1386
Preparar Mídias na Blackmagic Pocket Cinema Camera	1303	Trabalhar com Arquivos Blackmagic RAW	1387
Preparar Mídias no Mac	1305	Corrigir Cores dos seus Clipes com a Página Cor	1390
Preparar Mídias no Windows	1306	Adicionar uma Power Window	1393
Gravação	1307	Usar Plug-ins	1395
Gravar Clipes	1307	Misturar Seu Áudio	1396
Blackmagic RAW	1308	Adicionar VFX e Composições na Página Fusion	1400
Gravar com Blackmagic RAW	1309	Masterizar sua Edição	1409
Taxas de Quadro Máximas do Sensor	1311	Exportação Rápida	1409
Duração de Gravação	1313	Página Entrega	1410
Reprodução	1318	Trabalhar com Software de Terceiros	1411
Recursos de Câmera	1319	Trabalhar com Arquivos de Cartões CFast 2.0 e SD	1411
Frente da Câmera	1319	Trabalhar com Arquivos de Unidades Flash USB-C	1411
Lado Direito	1320	Usar Final Cut Pro X	1412
Lado Esquerdo	1320	Usar Avid Media Composer 2018	1412
Painel Superior	1322	Usar Adobe Premiere Pro CC	1413
Parte Inferior	1323	Blackmagic Camera Setup Utility	1414
Parte Traseira	1324	Mídias de Gravação Recomendadas	1415
Controles da Tela de Toque	1325	Cartões CFast 2.0	1415
Configurações	1346	Cartões SD	1421
Painel de Controle	1346	SSD USB-C	1424
Configurações de Gravação	1346	Ajuda	1428
Convenção de Nomeação de Arquivos	1351	Informações Regulatórias	1429
Configurações de Monitoramento	1352	Informações de Segurança	1430
Configurações de Áudio	1358	Garantia	1431
Ajustar Configurações	1361		

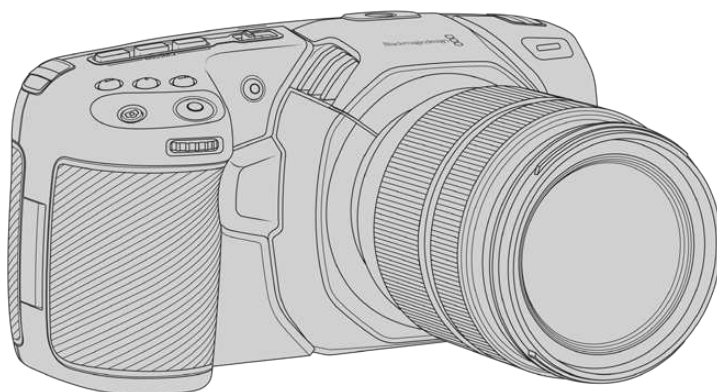
Qual câmera você está usando?

Os modelos Blackmagic Pocket Cinema Camera 6K e Blackmagic Pocket Cinema Camera 4K possuem aparência similar. Ambas as câmeras produzem imagens de amplo alcance dinâmico incríveis e compartilham o mesmo chassi. Os botões de controle e os menus do software são organizados da mesma maneira e a operação das câmeras é essencialmente a mesma.

A Blackmagic Pocket Cinema Camera 6K inclui um sensor de tamanho Super 35 mm, um encaixe de lentes EF e um símbolo 6K acima deste encaixe. A Blackmagic Pocket Cinema Camera 4K inclui um sensor de tamanho Micro Quatro Terços e um encaixe de lente Micro Quatro Terços (MFT).



Blackmagic Pocket Cinema Camera 6K



Blackmagic Pocket Cinema Camera 4K

Instruções Preliminares

A Blackmagic Pocket Cinema Camera é uma câmera cinematográfica digital pequena e portátil capaz de gravar imagens de alta qualidade em cartões CFast 2.0 e SD UHS-I e UHS-II ou em um SSD via a porta USB-C. Sua Pocket Cinema Camera é capaz de gravar clipes utilizando codecs profissionais desenvolvidos para pós-produção, incluindo Blackmagic RAW e ProRes.

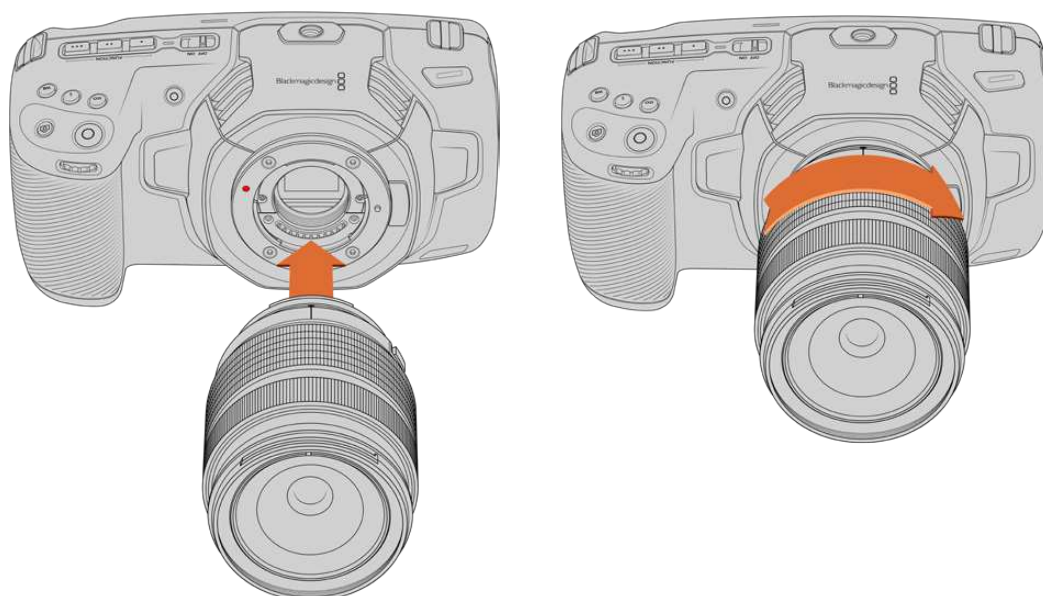
Começar a usar a sua Blackmagic Pocket Cinema Camera é tão simples quanto encaixar uma lente e ligar a sua câmera.

Encaixar uma Lente

A Blackmagic Pocket Cinema Camera 6K utiliza lentes EF e a Blackmagic Pocket Cinema Camera 4K utiliza lentes Micro Quatro Terços. Esses dois tipos de lentes são muito populares e acessíveis, e existe uma enorme variedade de opções disponíveis no mercado. O processo de montagem de lentes na sua câmera é o mesmo para a Blackmagic Pocket Cinema Camera 6K e Pocket Cinema Camera 4K. Em ambos os casos, o primeiro passo é remover a capa de proteção antipoeira. Para remover a capa de proteção antipoeira, segure o botão de travamento e gire a capa no sentido anti-horário até que ela se solte.

Como fixar um encaixe de lentes EF ou Micro Quatro Terços:

- 1 Alinhe o símbolo de montagem da sua lente com o ponto de montagem do encaixe da câmera. Muitas lentes possuem um indicador visual como, por exemplo, um ponto azul, vermelho ou branco.
- 2 Insira a lente no encaixe da câmera e gire-a no sentido horário até que ela trave no lugar.
- 3 Para retirar a lente, segure o botão de travamento, gire a lente no sentido anti-horário até que o ponto indicador alcance a posição de 10 horas em uma lente MFT ou 12 horas em uma lente EF. Retire a lente do encaixe cuidadosamente.



Encaixe de uma lente Micro Quatro Terços na Blackmagic Pocket Cinema Camera 4K.

OBSERVAÇÃO Na ausência de uma lente encaixada na câmera, o filtro de vidro cobrindo o sensor fica exposto à poeira e a outros resíduos, então é recomendável que você mantenha a capa antipoeira encaixada sempre que possível.

Ligar Sua Câmera

Agora que você encaixou uma lente, você precisará fornecer energia à sua câmera. A Blackmagic Pocket Cinema Camera pode ser alimentada ao inserir uma bateria LP-E6 na câmera, a partir de duas baterias NP-F570 no Blackmagic Pocket Camera Battery Grip ou ao conectar a fonte de alimentação fornecida à entrada de alimentação.

Inserir uma Bateria e Alimentar a Câmera

Sua câmera utiliza baterias LP-E6 removíveis padrão. A câmera inclui uma unidade, mas você pode adquirir baterias adicionais através de revendedores Blackmagic Design ou na maioria das lojas especializadas em equipamento de fotografia e vídeo.

- 1 Na parte inferior da câmera, pressione a trava da tampa para abrir a tampa da bateria.
- 2 Com os contatos virados para o compartimento, insira a bateria LP-E6 até sentir um clique na aba de travamento.

DICA Para liberar a bateria, empurre a aba de travamento em direção à parte dianteira da câmera e a bateria será ejetada.

- 3 Feche a tampa do compartimento da bateria e pressione levemente até que ela trave no lugar.
- 4 Mova a chave de alimentação na parte superior da câmera para a posição "On". Para desligar a câmera, mova a chave para a posição "Off".

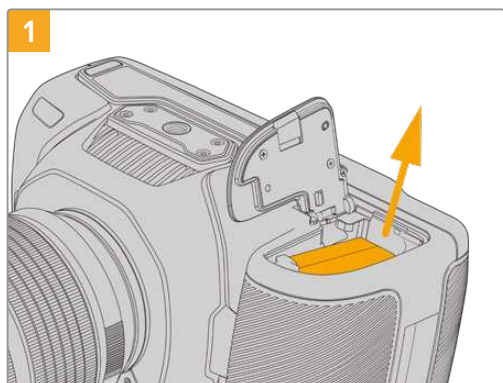
Usar Blackmagic Pocket Camera Battery Grip

Caso tenha um Blackmagic Pocket Camera Battery Grip, é uma boa ideia instalá-lo agora antes de continuar. O Blackmagic Pocket Camera Battery Grip foi desenvolvido para encaixar nos modelos Pocket Cinema Camera 6K e Pocket Cinema Camera 4K.

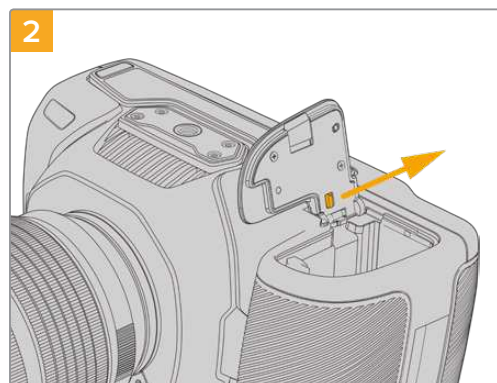
O punho de bateria adiciona um suporte horizontal à sua câmera e aloja duas baterias NP-F570 série L para que você possa gravar continuamente por mais de duas horas. A entrada DC de 12 V pode recarregar as baterias no punho ou fornecer alimentação ininterrupta para a câmera durante a troca de baterias. É possível usar a porta USB-C para recarregar as baterias no punho enquanto a câmera está desligada.

Como encaixar o Blackmagic Pocket Camera Battery Grip:

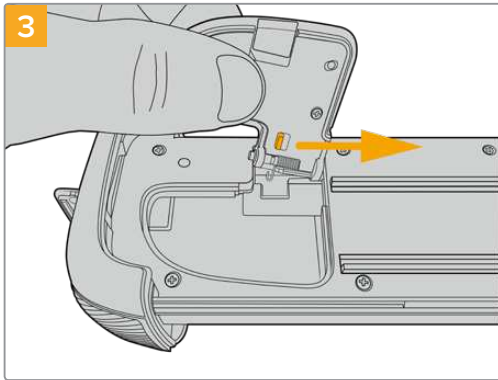
Antes de encaixar o Blackmagic Pocket Camera Battery Grip, desligue sua Pocket Cinema Camera e desconecte quaisquer fontes de alimentação externas.



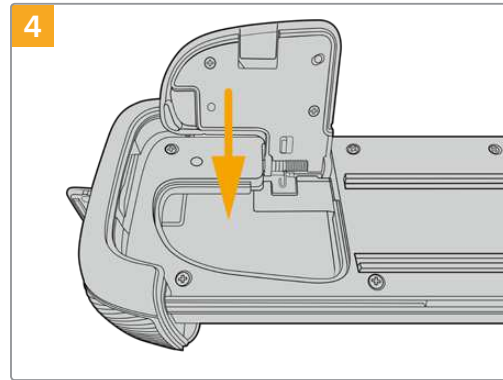
Abra o compartimento de bateria da câmera e retire a bateria LP-E6.



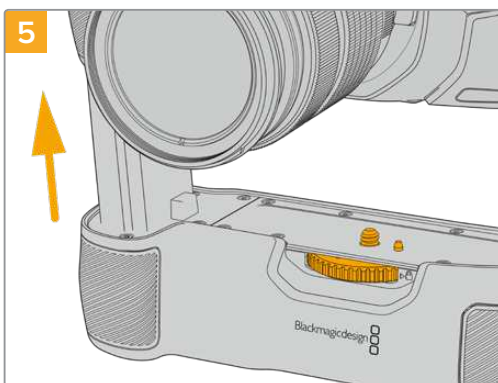
Deslize a aba próxima da articulação da tampa do compartimento de bateria e retire-a da câmera.



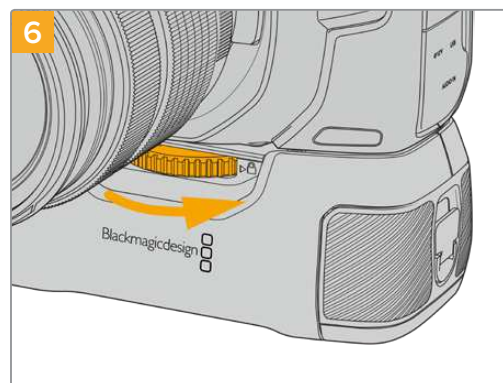
Para armazenamento seguro da tampa do compartimento de bateria, prenda-a à cavidade na parte de baixo da bandeja do punho de bateria.



Feche a tampa do compartimento de bateria para que fique no mesmo nível da parte inferior da bandeja do punho de bateria.

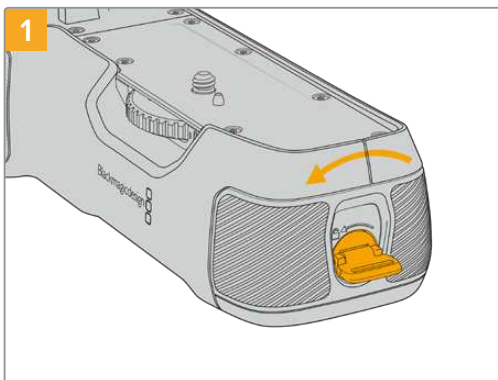


Insira a parte com aspecto de bateria no compartimento de bateria da sua câmera. O parafuso de 1/4 de polegada na parte superior do punho de bateria deve estar alinhado com o ponto de encaixe de 1/4-20 na base da câmera. Um pequeno pino junto do parafuso de 1/4 de polegada ajuda a manter o alinhamento correto.

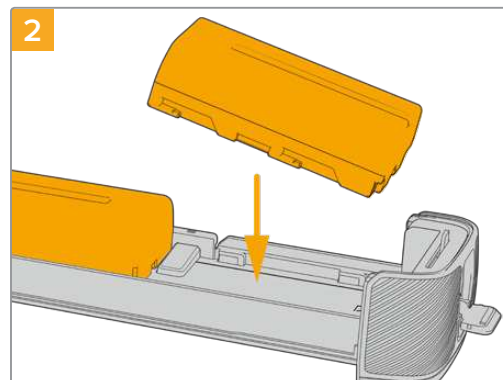


Gire o anel na frente do punho de bateria para a direita até que o parafuso esteja apertado firmemente e prenda o punho de bateria à câmera.

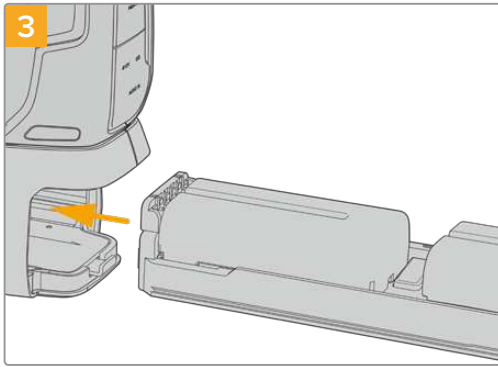
Como inserir baterias no Blackmagic Pocket Camera Battery Grip:



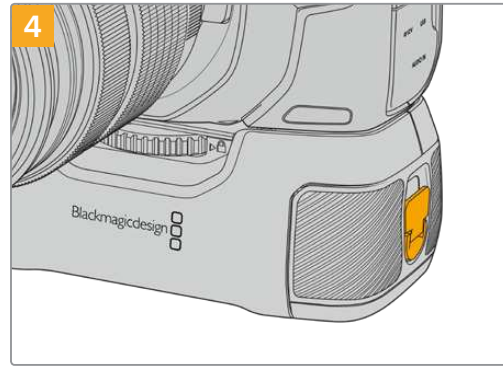
Gire a guia de travamento na ponta do punho de bateria no sentido anti-horário para destravar a bandeja de bateria. Deslize a bandeja de bateria para fora. É possível fazer isto antes ou depois de encaixar o Blackmagic Pocket Battery Grip a sua câmera.



Coloque duas baterias NP-F570 na bandeja, tendo cuidado com a sua orientação, e deslize-as afastando uma da outra. Uma guia entre as baterias se desloca para travá-las no lugar. Quando quiser retirar as baterias, pressione esta guia de travamento e deslize as baterias em direção uma à outra.



Deslize a bandeja de bateria no punho de bateria e gire a guia de travamento no sentido horário. É importante observar que você pode continuar gravando ao trocar as baterias no punho de bateria se a sua câmera estiver sendo alimentada por uma fonte externa conectada à entrada de alimentação DC.



Gire a guia de travamento na ponta do punho de bateria no sentido horário para travar a bandeja de bateria.

DICA Quando o Blackmagic Pocket Camera Battery Grip é encaixado com duas baterias inseridas, o indicador do nível de bateria na parte superior da tela de toque LCD exibe dois ícones de bateria para que você possa monitorar a carga de cada uma independentemente. Consulte a seção 'Alimentação' neste manual para mais informações.

Alimentar a Câmera com o Cabo de Alimentação Incluso

O kit de alimentação de 100-240 volts pode ser usado para alimentar a câmera e carregar a bateria LP-E6 ou as duas baterias NP-F570 simultaneamente, caso tenha o Blackmagic Pocket Camera Battery Grip preso à sua câmera. O conector de alimentação DC fica travado na câmera para que não seja desconectado acidentalmente.

Como conectar alimentação externa:

- 1 Conecte o adaptador AC para DC de 12 V na tomada.
- 2 Abra o protetor emborrachado na lateral esquerda da sua câmera e gire o conector alimentação DC com trava para que se alinhe ao entalhe na parte superior da entrada de alimentação DC 12 V. Pressione o conector na entrada levemente até que ele trave no lugar.
- 3 Para desconectá-lo, retire a proteção e remova-o da entrada.

Caso ambas alimentação externa e bateria estejam conectadas, apenas a alimentação externa será utilizada. Caso remova a alimentação externa enquanto uma bateria carregada estiver conectada, sua câmera alternará para a alimentação por bateria sem interrupções.

A bateria LP-E6 da sua câmera pode ser carregada via USB quando a câmera estiver desligada. Isto é conveniente, pois você pode usar um banco de alimentação portátil para carregar a câmera quando ela não estiver em uso. A Blackmagic Pocket Cinema Camera é compatível com carregadores de tomada USB 10 W e pode ser usada também com carregadores compatíveis com USB-Power Delivery (USB PD). Os carregadores USB PD geralmente possuem uma conexão USB-C e saída de até 20 V, sendo capazes de fornecer carga mais rapidamente. O carregamento da bateria LP-E6 via a entrada de alimentação DC 12 V é suportado independentemente da câmera estar ligada ou desligada.

DICA Se estiver carregando uma bateria quente imediatamente após seu uso, a velocidade do carregamento será reduzida até que a bateria esfrie e atinja menos de 45°C ou 113°F. Recomendamos permitir seu esfriamento por 15 minutos antes de carregá-la.

Agora você está pronto para inserir a mídia de armazenamento e começar a gravar!

Mídias de Armazenamento

A sua Blackmagic Pocket Cinema Camera utiliza cartões SD padrão, cartões SD UHS-II ou CFast 2.0 mais rápidos para gravar vídeos.

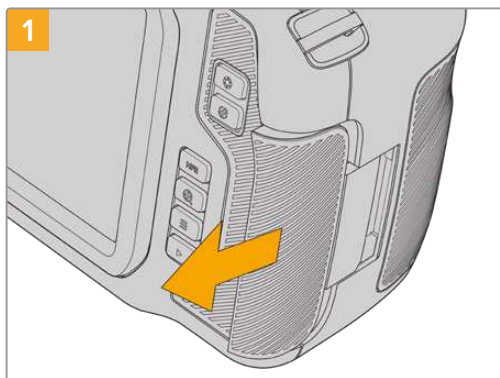
Com a porta de expansão USB-C, você também pode conectar unidades flash USB-C de alta capacidade para o aumento do tempo de gravação.

Cartões CFast

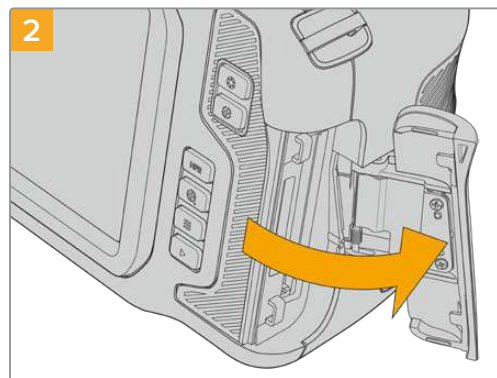
Os cartões CFast 2.0 têm capacidade para suportar taxas de dados muito altas, sendo perfeitos para gravação de vídeos 6K, 4K e HD em taxas de quadro elevadas. Consulte as tabelas de duração na seção 'Gravação' para detalhes sobre as taxas de quadro máximas de gravação possíveis em cada formato.

OBSERVAÇÃO Geralmente, os cartões CFast 2.0 são de alta velocidade, mas alguns cartões têm velocidades de gravação inferiores se comparadas às velocidades de leitura, e as taxas de dados máximas podem variar entre os modelos. Para assegurar gravações confiáveis nas taxas de quadro desejadas, utilize apenas os cartões recomendados pela Blackmagic Design.

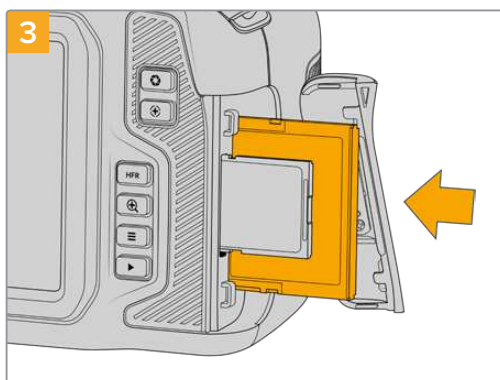
Como inserir um cartão CFast:



Para acessar os compartimentos de mídia, deslize a tampa no lado direito em direção à traseira da câmera.



A tampa instalada com mola abre para que você possa acessar os compartimentos de cartão de memória SD e CFast.

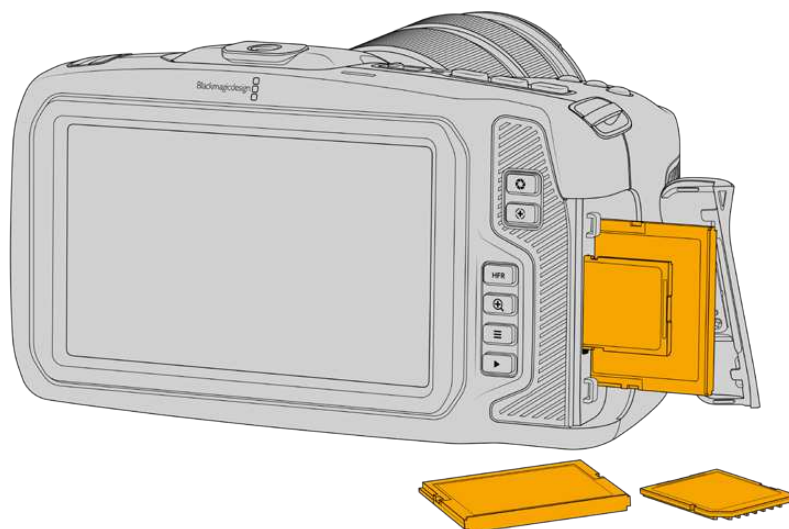


Insira o cartão CFast no compartimento para cartão CFast até senti-lo travar no lugar. O cartão deve ser inserido com facilidade, sem necessidade de força excessiva. Para remover um cartão CFast, pressione-o suavemente e depois solte para ejetá-lo.



As informações de armazenamento na parte inferior da tela de toque LCD exibirão o nome e o tempo de gravação restante do cartão CFast detectado.

Inserir um cartão SD é como inserir um cartão CFast. Para mais informações, consulte 'Como inserir um cartão SD'.



Escolher um Cartão CFast 2.0

Ao trabalhar com vídeos com taxas de dados elevadas, é importante verificar qual é o cartão CFast de sua preferência com cautela. Isso é necessário porque os cartões CFast 2.0 possuem diferentes velocidades de leitura e gravação.

Para uma lista de cartões CFast 2.0 testados e recomendados pela Blackmagic Design para gravações com a Pocket Cinema Camera, consulte a seção 'Mídias de Gravação Recomendadas'.

Para obter informações mais atualizadas sobre os cartões CFast compatíveis com a Blackmagic Pocket Cinema Camera, por favor consulte a Central de Suporte Técnico da Blackmagic Design em www.blackmagicdesign.com/br/support.

Cartões SD

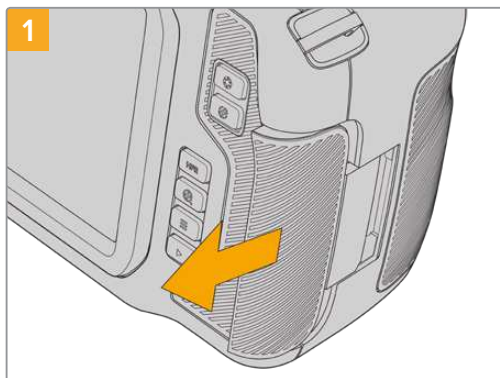
Além dos cartões CFast 2.0, a sua câmera é capaz de gravar em cartões SD UHS-I e UHS-II de alta velocidade. Os cartões SD UHS-I permitem que você use mídias de armazenamento mais acessíveis ao gravar em formatos de vídeo compactados em HD e os cartões UHS-II ainda mais rápidos permitem que você grave Blackmagic RAW bem como conteúdos Ultra HD em ProRes.

Com os cartões SD, você pode usar mídias de armazenamento mais acessíveis ao gravar formatos de vídeo compactados em HD.

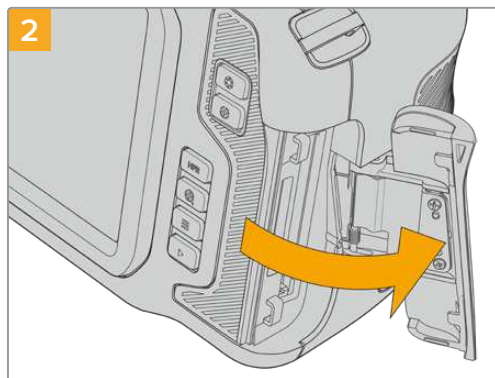
SDXC e SDHC são formatos de mídia de armazenamento muito comuns para câmeras fotográficas ou de vídeo domésticas. Caso já tenha gravado vídeos usando uma DSLR ou uma Blackmagic Micro Cinema Camera, uma Pocket Cinema Camera ou um Blackmagic Video Assist, você provavelmente já possui cartões SD compatíveis para usar.

Nos projetos que não exigem arquivos de resolução mais elevada, ou quando gravações de durações mais longas são necessárias, os cartões SD podem ser bastante econômicos. Os cartões SD de menor capacidade e velocidade mais lenta também podem ser usados para armazenar e carregar LUTs e predefinições.

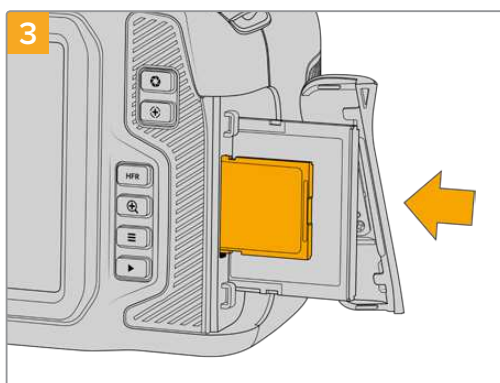
Como inserir um cartão SD:



Para acessar os compartimentos de mídia, deslize a tampa no lado direito em direção à traseira da câmera.



A porta instalada com mola abre para que você possa acessar os compartimentos de mídia.



Com a etiqueta do cartão SD voltada para a tela de toque, insira o cartão no compartimento até sentir que ele travou no lugar. O cartão deve ser inserido com facilidade, sem necessidade de força excessiva.

Para remover um cartão SD, pressione-o suavemente e depois solte para ejetá-lo.



As informações de armazenamento na parte inferior da tela de toque LCD exibirão o nome e o tempo de gravação restante do cartão SD detectado.

Escolher um Cartão SD

Caso esteja gravando em 6K, DCI 4K DCI ou Ultra HD, recomendamos usar os cartões SD UHS-II de alta velocidade mais rápidos disponíveis. É importante usar cartões SD UHS-II de alta velocidade para gravações em 6K, DCI 4K, Ultra HD e HD, ou cartões UHS-I para gravações em HD. Esses cartões são classificados conforme suas velocidades de dados rápidas e possuem uma capacidade de armazenamento maior. Geralmente, quanto mais rápidos forem os cartões, melhores eles serão.

Antes de usar seus cartões, você precisa formatá-los para HFS+ ou exFAT. É fácil formatar suas mídias através das configurações de armazenamento da sua câmera. Consulte a seção 'Configurações' para mais informações sobre as configurações de armazenamento.

Caso prefira, você pode formatar seus cartões usando um computador Mac ou Windows. Ao usar suas mídias no macOS, você pode usar HFS+, que é o formato de disco para Mac, também conhecido como Mac OS X Expandido. Caso esteja usando Windows, então use o formato exFAT, que é o formato de discos do Windows que também pode ser lido por computadores Mac.

Para uma lista de cartões SD testados e recomendados pela Blackmagic Design para gravações com a Pocket Cinema Camera, consulte a seção 'Mídias de Gravação Recomendadas'.

Para obter informações mais atualizadas sobre os cartões SD compatíveis com a Blackmagic Pocket Cinema Camera, por favor consulte a Central de Suporte Técnico da Blackmagic Design em www.blackmagicdesign.com/br/support.

OBSERVAÇÃO Para gravações de alta resolução e taxas de quadro elevadas, recomendamos usar mídias CFast 2.0, ou unidades flash USB-C externas, que são tipicamente mais rápidas e estão disponíveis em capacidades de armazenamento maiores.

Bloquear e Desbloquear Cartões SD

Os cartões SD podem ser protegidos contra gravação, ou “bloqueados”, para impedir que os dados sejam sobregravados. Ao inserir um cartão SD, certifique-se de que o cartão não esteja protegido contra gravação. A proteção contra gravação é desativada ao deslizar a chave de plástico na lateral esquerda do cartão para a posição mais próxima dos conectores. Após a gravação, é possível proteger o cartão contra gravação ao deslizar a chave para a posição inferior novamente.



Deslize a trava de bloqueio para cima ou para baixo para bloquear ou desbloquear um cartão SD.

Sua Blackmagic Pocket Cinema Camera o alertará caso tenha inserido um cartão SD bloqueado exibindo a palavra “Bloqueado” em vez da duração do cartão na tela de toque LCD, bem como um ícone de cadeado no menu de armazenamento próximo ao nome do cartão. Caso o cartão esteja bloqueado, não será possível gravar vídeos, capturar fotogramas ou exportar LUTs e predefinições até que ele seja desbloqueado.

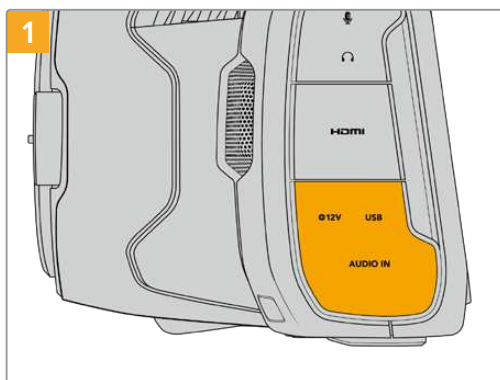


Unidades Flash USB-C

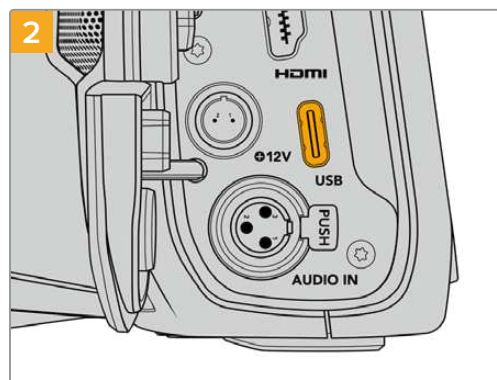
Sua Blackmagic Pocket Cinema Camera conta com uma porta de expansão USB-C de alta velocidade, permitindo que você grave vídeos diretamente nas unidades flash USB-C. Essas unidades rápidas e de capacidade superior possibilitam a gravação de vídeos por períodos longos, o que pode ser importante nas filmagens de eventos de longa duração.

Depois de concluir a gravação, você pode conectar a mesma unidade diretamente no seu computador para edição e pós-produção, sem precisar copiar mídias entre uma unidade e outra.

Como conectar uma unidade flash USB-C:



Abra o protetor emborrachado na lateral esquerda da câmera e conecte a outra extremidade do cabo à porta USB-C.



Conecte uma extremidade do cabo USB tipo C à sua unidade flash USB-C.

OBSERVAÇÃO Quando uma unidade flash USB-C está conectada à sua câmera, ela ocupa o mesmo local de um cartão SD no sistema operacional da sua câmera. Isto significa que, ao ter uma unidade flash USB-C compatível conectada, o compartimento do cartão SD da sua câmera fica indisponível.

Para usar o compartimento do cartão SD, desconecte a unidade flash USB-C da sua câmera.

Selecionar uma Unidade Flash USB-C Rápida

As unidades flash USB-C foram desenvolvidas para oferecer armazenamento rápido e acessível a uma grande variedade de dispositivos e podem ser facilmente adquiridas em uma variedade de lojas de artigos eletrônicos domésticos. É importante notar que a produção cinematográfica é apenas uma parte do mercado de unidades flash USB-C, portanto escolher a unidade certa é fundamental para garantir velocidade suficiente para gravar imagens 4K e 6K.

Muitas unidades flash USB-C foram desenvolvidas para computadores domésticos e não são suficientemente rápidas para gravar vídeos 4K e 6K.

Para uma lista de unidades flash USB-C testadas e recomendadas pela Blackmagic Design para gravações com a Pocket Cinema Camera, consulte a seção 'Mídias de Gravação Recomendadas'.

Para a lista mais atualizada das unidades flash USB-C recomendadas, por favor visite www.blackmagicdesign.com/br/support.

Observações Importantes sobre a Velocidade das Unidades Flash USB-C

Alguns modelos de unidades flash USB-C não salvam os dados de vídeo na velocidade alegada pelo fabricante. Isto acontece porque o disco usa compressão de dados ocultos para obter velocidades de gravação superiores. Esta compressão de dados é capaz de salvar os dados na velocidade alegada pelo fabricante somente quando armazena dados como dados em branco ou arquivos simples. Os dados de vídeo incluem ruído de vídeo e pixels, que são mais aleatórios, então a compressão não ajuda, revelando a verdadeira velocidade do disco.

Algumas unidades flash USB-C podem ter a velocidade de gravação até 50% mais baixa do que a velocidade divulgada pelo fabricante. Assim, mesmo que as especificações do disco aleguem que uma unidade flash USB-C possua velocidades suficientemente rápidas para manusear vídeos, na verdade, o disco pode não ser tão rápido quando usado para armazenar dados de vídeo para captação em tempo real.

Recomendamos que você utilize o Blackmagic Disk Speed Test para medir com precisão se a sua unidade flash USB-C será capaz de lidar com a captura e reprodução de vídeos com taxas de dados elevadas. O Blackmagic Disk Speed Test usa dados para simular o armazenamento de vídeo, assim você obtém resultados semelhantes com o que verá na captação de vídeos em um disco. Durante a testagem Blackmagic, percebemos que os modelos de unidades flash USB-C mais novos e com capacidades maiores são geralmente muito mais rápidos.

O Blackmagic Disk Speed Test está disponível na Mac App Store. As versões para Windows e macOS também estão incluídas no Blackmagic Desktop Video e podem ser baixadas na seção “Captura e Reprodução” da página de suporte técnico da Blackmagic Design no site www.blackmagicdesign.com/br/support.

Preparar Mídias para Gravação

É possível formatar seus cartões CFast, SD ou unidades flash USB-C usando o recurso “Formatar Cartão” no menu de armazenamento e formatação da sua câmera ou via um computador Mac ou Windows. Para obter melhores resultados, recomendamos que as mídias de armazenamento sejam formatadas usando a sua câmera.

O HFS+ também é conhecido como OS X Expandido. Este é o formato recomendado, pois é compatível com “journaling”. Os dados em mídias com o recurso “journaling” têm uma probabilidade maior de recuperação na rara eventualidade da sua mídia de armazenamento se corromper. O HFS+ é nativamente suportado pelo macOS. Já o exFAT é suportado nativamente pelo macOS e Windows sem a necessidade de adquirir outro software adicional. No entanto, o formato exFAT não é compatível com “journaling”.

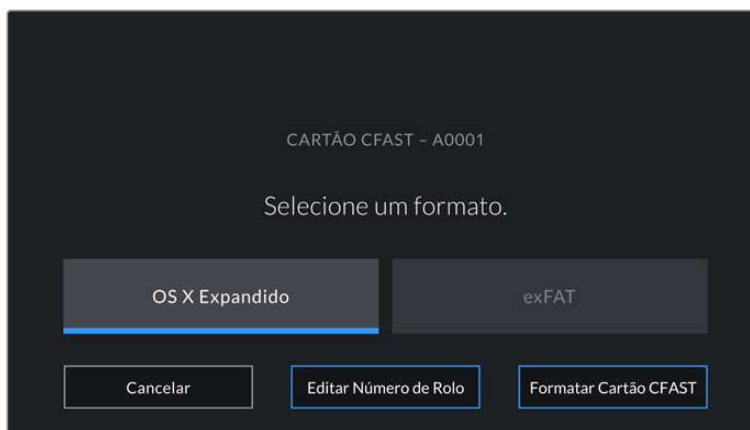
Preparar Mídias na Blackmagic Pocket Cinema Camera

- 1 Toque em qualquer um dos indicadores de armazenamento na parte inferior da tela de toque LCD para acessar o gerenciador de armazenamento.
- 2 Toque em “Formatar Cartão CFast” ou “Formatar Cartão SD”. Caso tenha uma unidade flash USB-C conectada à sua câmera, “Formatar Disco Externo” será exibido em vez de “Formatar Cartão SD”.



“Formatar Cartão SD” é substituído por “Formatar Disco Externo” na sua tela de armazenamento e formatação quando houver uma unidade flash USB-C conectada à sua câmera.

- 3 Toque em “Editar Número de Rolo” caso deseje alterar o número de rolo manualmente. Utilize o teclado para inserir um novo número de rolo e pressione “Atualizar” para confirmar sua seleção.
- 4 Selecione o formato “OS X Expandido” ou “exFAT” e toque no botão “Formatar Cartão”.



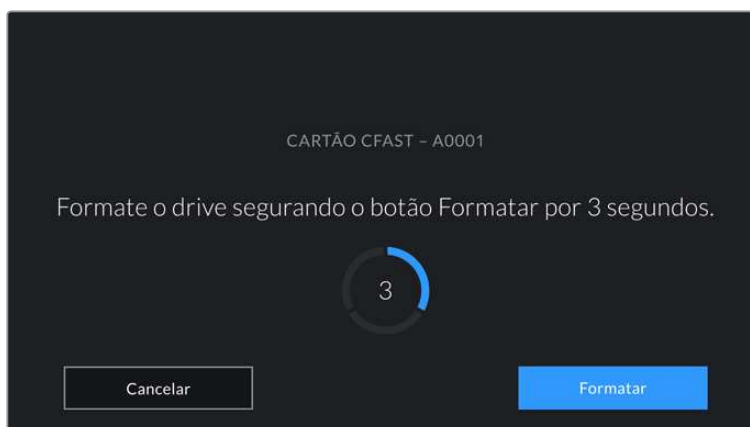
Toque em “Editar Número de Rolo” para editar o número de rolo manualmente.

- 5 Uma tela de confirmação permitirá que você confirme o cartão a ser formatado, o formato selecionado e o número de rolo. Confirme sua seleção ao tocar no botão “Formatar”. Pressione “Cancelar” para cancelar o formato.



Verifique se você selecionou o cartão correto antes da formatação.

- 6 Pressione e segure o botão “Formatar” por três segundos para formatar a sua mídia.



- 7 A câmera notifica quando a formatação é concluída e seu drive está pronto para uso, ou se a formatação falhou.
- 8 Toque em “Ok” para retornar ao gerenciador de armazenamento.
- 9 Toque em “Sair” para sair do gerenciador de armazenamento.

Ao formatar cartões CFast, SD ou unidades flash USB-C usando sua câmera, ela utilizará as informações de identificação da câmera, da claquete e do número de rolo para nomear o cartão. Sua câmera incrementará os números de rolo automaticamente toda vez que você fizer a formatação. Caso seja necessário inserir um número de rolo específico manualmente, toque em “Editar Número de Rolo” e insira o número desejado para formatar o cartão.

Toque em “Redefinir” na aba “Projeto” da claquete, se estiver iniciando um novo projeto e desejar redefinir a numeração para 1.



O gerenciador de armazenamento na sua câmera indica se a mídia que você está gerenciando no momento é CFast, SD ou unidade flash USB-C.

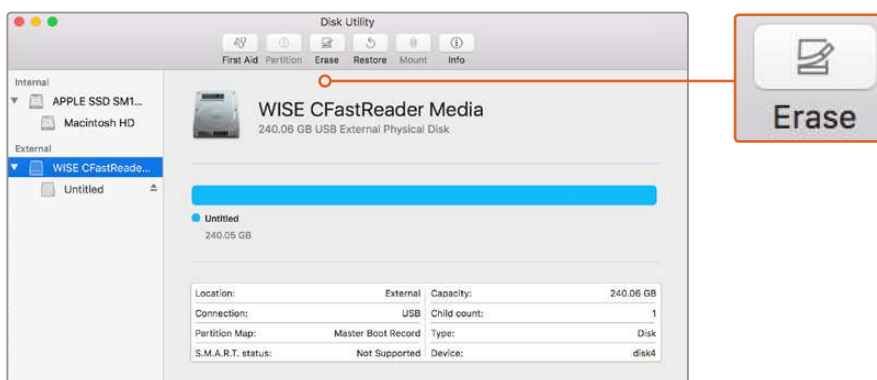
DICA Caso o cartão SD esteja protegido contra gravação, sua câmera exibirá a palavra “Bloqueado” na tela de toque LCD em vez da duração do cartão e exibirá um ícone de cadeado no menu de armazenamento. Basta desbloquear o cartão para formatar e gravar. Para mais informações, consulte a seção ‘Cartões SD’ neste manual.

OBSERVAÇÃO Se houver uma unidade flash USB-C conectada, “Disco Externo” será exibido no compartimento de armazenamento 2.

Preparar Mídias no Mac

Utilize o aplicativo Utilitário de Disco incluído no macOS para formatar seus cartões CFast, SD ou unidades flash USB-C nos formatos HFS+ ou exFAT. Lembre-se de fazer o backup de gravações importantes na sua mídia antes, já que todas elas serão perdidas após a formatação.

- 1 Conecte a mídia de armazenamento ao seu computador e ignore as mensagens sugerindo o uso da sua mídia para backups com o Time Machine.
- 2 Vá até “Aplicativos/Utilitários” e inicie o Utilitário de Disco.
- 3 Clique no ícone de disco da mídia de armazenamento da sua câmera e, depois, clique na aba “Apagar”.
- 4 Configure o formato como “Mac OS Expandido (com journaling)” ou “exFAT”.
- 5 Digite um nome para o novo volume e clique em “Apagar”. A mídia de armazenamento da sua câmera será formatada rapidamente e disponibilizada para uso.

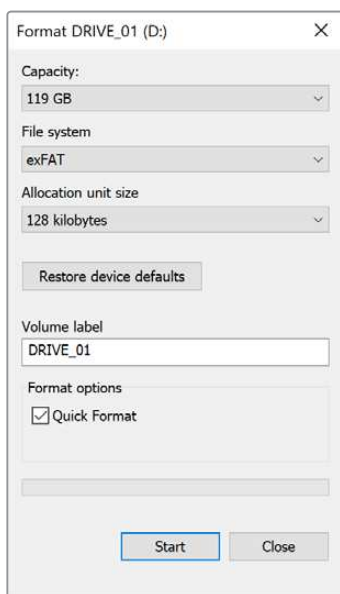


Use o Utilitário de Disco no macOS para apagar a mídia de armazenamento da sua câmera no formato Mac OS Expandido (com journaling) ou exFAT.

Preparar Mídias no Windows

A caixa de diálogo “Formatar” permite formatar a mídia de armazenamento da sua câmera no formato exFAT em um PC Windows. Lembre-se de fazer o backup de gravações importantes na sua mídia antes, já que todos os dados serão perdidos após a formatação.

- 1 Conecte a mídia de armazenamento da sua câmera ao computador usando um leitor externo, um cabo USB-C ou um adaptador.
- 2 Abra o menu “Iniciar” ou a tela “Iniciar” e selecione “Computador”. Clique com o botão direito do mouse na mídia de armazenamento da sua câmera.
- 3 No menu contextual, selecione “Formatar”.
- 4 Configure o sistema de arquivos como “exFAT” e o tamanho da unidade de alocação como 128 kilobytes.
- 5 Digite um rótulo do volume, selecione “Formatação Rápida” e clique em “Iniciar”.
- 6 A sua mídia de armazenamento será formatada rapidamente e disponibilizada para uso.



Use a caixa de diálogo “Formatar” no Windows para formatar a mídia de armazenamento da sua câmera no formato exFAT.

OBSERVAÇÃO Caso suas gravações estejam descartando quadros, verifique se o seu cartão ou a sua unidade está na nossa lista de mídias recomendadas para o codec e o tamanho do quadro sendo usados. Para taxas de dados mais baixas, tente diminuir sua taxa de quadro, resolução ou experimente um codec com compactação, como o ProRes. Consulte o site da Blackmagic Design para as últimas informações em www.blackmagicdesign.com/br

OBSERVAÇÃO Mídias particionadas podem ser usadas com a sua Blackmagic Pocket Cinema, embora a câmera reconheça apenas a primeira partição da sua mídia para gravação e reprodução.

É importante notar que, se você utilizar o menu de armazenamento e formatação para formatar sua mídia, toda a unidade, incluindo todas as partições, será apagada, e não apenas a primeira partição que tem sido usada para gravação e reprodução. Por este motivo, recomendamos fortemente o uso de mídias com somente uma partição.

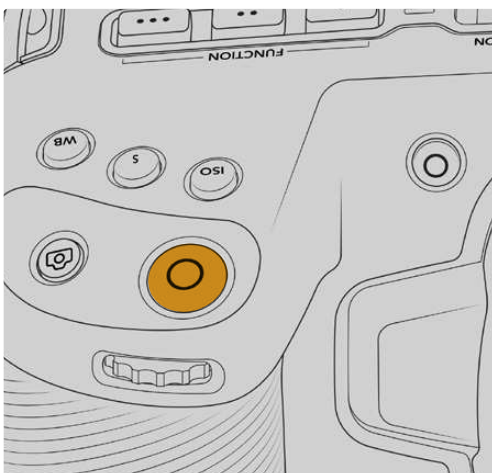
Gravação

Gravar Clipes

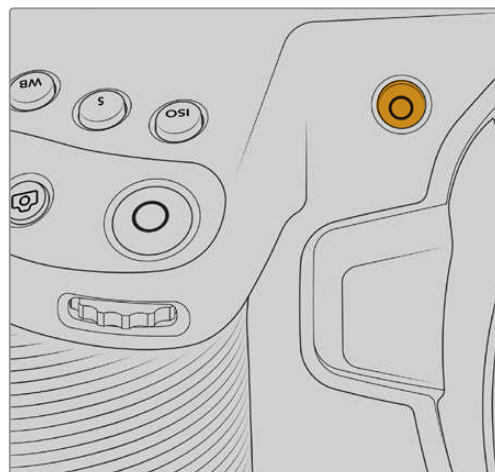
A Blackmagic Pocket Cinema Camera inclui dois botões de gravação. O botão primário fica localizado na parte superior da empunhadura para acionamento com seu dedo indicador ao segurar a empunhadura da câmera com sua mão direita.

O segundo botão fica localizado na frente da sua câmera para permitir que você inicie a gravação ao mesmo tempo que segura a câmera com uma mão em situações onde deseja gravar a si mesmo. O botão fica localizado em uma posição de fácil acesso, ideal quando você está filmando a si próprio para vlogs.

Pressione um dos botões de gravação na sua câmera para iniciar a gravação imediatamente. Pressione o botão de gravação novamente para interromper a gravação.



Botão de gravação localizado na parte superior na sua câmera.



Botão de gravação localizado na frente da sua câmera.

Antes de começar a gravação, toque e segure o nome da mídia na parte inferior da tela de toque para selecionar o cartão de memória ou a unidade flash USB-C desejada. A barra sobre o tipo de mídia selecionado fica azul para indicar que a câmera está configurada para gravar nesta mídia. Para gravar em um cartão ou uma unidade diferente, toque e segure o nome da mídia. Ao gravar, a barra ficará vermelha.

Selecionar o Formato de Gravação

A Blackmagic Pocket Cinema Camera grava usando os codecs Apple ProRes incluindo ProRes 422 HQ, ProRes 422, ProRes 422 LT e ProRes 422 Proxy. Os codecs ProRes permitem que mais vídeo caiba no seu cartão SD, CFast ou unidade externa USB-C. O ProRes 422 HQ oferece a mais alta qualidade de vídeo com a compactação mais baixa. Alternativamente, o ProRes 422 Proxy oferece muito mais tempo de gravação com compactação mais alta. A sua câmera também pode gravar no formato Blackmagic RAW. Você poderá experimentar diferentes formatos e determinar qual é o ideal para o seu fluxo de trabalho.

É importante observar que a Blackmagic Pocket Cinema Camera utiliza o Blackmagic RAW para os formatos de sensor completo e janelado e ProRes para formatos dimensionados.

Para mais informações sobre formatos janelados e dimensionados, consulte a seção 'Taxas de Quadro Máximas do Sensor'.

Blackmagic RAW

A Blackmagic Pocket Cinema Camera oferece suporte ao novo formato de arquivo Blackmagic RAW. Este formato oferece uma qualidade de imagem superior, ampla faixa dinâmica e uma vasta seleção de taxas de compressão. O Blackmagic RAW garante todos os benefícios de gravações RAW aos usuários, mas os arquivos são muito rápidos porque a maior parte do processamento é realizada na câmera, onde pode ser acelerado pela própria. Isso significa que o Blackmagic RAW é reproduzido à velocidade normal na maioria dos computadores, sem necessidade de fazer o cache primeiro ou diminuir a resolução.

O Blackmagic RAW também inclui suporte eficaz aos metadados para que o software lendo os arquivos interprete as configurações da sua câmera. Se você gosta de fazer filmagens na gama de vídeo porque precisa editar com rapidez e não há tempo para a correção de cores, com este recurso para metadados você pode selecionar a gama de vídeo, gravar com ela e o arquivo será exibido com a gama de vídeo aplicada ao abri-lo no software. Contudo, no fundo, o arquivo tem a gama de filme e são os metadados no arquivo que indicam ao software que aplique a gama de vídeo.

Isto significa que você pode fazer a gradação de cores nas suas imagens em um dado momento e, depois, terá toda a faixa dinâmica de filme preservada no arquivo. Suas imagens não sofrerão recortes bruscos nos brancos ou pretos, assim você poderá manter os detalhes e fazer o tratamento de cores para deixá-las com um visual cinematográfico. Porém, se você não tiver tempo para a gradação de cores, não há problema algum, pois suas imagens terão usado a gama de vídeo e terão a mesma aparência de imagens das câmeras de vídeos normais. Você não fica restringido numa filmagem e pode mudar de ideia mais tarde, durante a pós-produção.

Os arquivos Blackmagic RAW são extremamente rápidos e o codec é otimizado para a CPU e GPU do seu computador. Ou seja, ele possui reprodução rápida e fluida e elimina a necessidade de placas decodificadoras de hardware, o que é importante para uso com laptops. Aplicativos que leem o Blackmagic RAW também têm a vantagem do processamento via Apple Metal, Nvidia CUDA e OpenCL.

Isso significa que o Blackmagic RAW é reproduzido à velocidade normal como um arquivo de vídeo na maioria dos computadores, sem necessidade de fazer o cache primeiro ou diminuir a resolução.

Também é importante mencionar que as informações de lente são gravadas nos metadados com base em cada quadro. Por exemplo, ao usar lentes compatíveis, quaisquer alterações de zoom ou foco realizadas ao longo de um clipe serão gravadas, quadro a quadro, nos metadados do arquivo Blackmagic RAW.

Gravar com Blackmagic RAW

O Blackmagic RAW funciona de duas maneiras diferentes. Você tem a opção de usar tanto o codec com taxa de bit constante quanto o codec de qualidade constante.

O codec de taxa de bit constante funciona de forma semelhante à maioria dos codecs. Ele tenta manter a taxa de bit em um nível consistente e não permitirá que a taxa de dados fique elevada demais. Isto significa que se você estiver gravando uma imagem complexa que necessite de mais dados para armazená-la, um codec de taxa de dados constante apenas compactará mais a imagem para garantir que ela caiba dentro do espaço alocado.

Isto pode ser eficaz para codecs de vídeo, mas, ao gravar Blackmagic RAW é importante certificar-se de que a qualidade seja previsível. O que aconteceria se as imagens que você estava gravando precisassem de mais dados, mas o codec simplesmente faz uma compactação mais intensa para satisfazer uma taxa de dado específica? É provável que você perderia a qualidade, mas não teria ideia do acontecido até retornar das filmagens.

Para resolver este problema, o Blackmagic RAW também tem uma opção de codec alternativa chamada de qualidade constante. Este codec é tecnicamente chamado de um codec de taxa de bit variável, mas o que ele realmente faz é permitir que o tamanho do arquivo aumente se suas imagens precisarem de mais dados. Não há um limite máximo para o tamanho do arquivo caso necessite codificar uma imagem, mas manter a qualidade.

Portanto, o Blackmagic RAW definido com a configuração de qualidade constante apenas permitirá que o arquivo aumente conforme o necessário para codificar suas imagens. Isto também significa que os arquivos podem ficar maiores ou menores dependendo do que você estiver gravando. Assim, se você esquecer sua tampa encaixada na lente, não desperdiçará espaço na sua mídia!

Também é importante observar que as configurações de qualidade do Blackmagic RAW não têm nomes obscuros, sendo mais relevantes, já que são relacionados ao que está acontecendo tecnicamente. Por exemplo, se você selecionar o codec de taxa de bit constante, verá as configurações de qualidade 3:1, 5:1, 8:1 e 12:1. Essas são as proporções do tamanho do arquivo RAW sem compactação em relação aos tamanhos previstos ao gravar em Blackmagic RAW. 3:1 é de melhor qualidade porque o arquivo é maior, enquanto 12:1 é o menor tamanho de arquivo com a qualidade mais baixa. Muitos usuários do Blackmagic RAW consideram que 12:1 é perfeitamente eficiente e não observaram quaisquer limitações na qualidade. Contudo, é melhor que você mesmo experimente e teste as várias configurações.

Ao usar o Blackmagic RAW em qualidade constante, você observará as configurações são de Q0 e Q5. Esses são os parâmetros de compactação transmitidos ao codec e estão definindo a quantidade de compactação a ser aplicada de uma maneira mais técnica. Esta configuração é diferente porque o codec opera de forma distinta entre a taxa de bit constante e a qualidade constante. Nesta configuração de qualidade constante, não é possível prever qual será a proporção do tamanho de arquivo, já que ela varia muito conforme o que você estiver gravando. Neste caso, a configuração é diferente e o arquivo passará a ser do tamanho necessário para armazenar a sua mídia.

Configurações de Taxa de Bit Constante

Os nomes 3:1, 5:1, 8:1 e 12:1 representam a taxa de compactação. Por exemplo, a compactação 12:1 produz um arquivo com um tamanho aproximadamente 12 vezes menor que RAW sem compactação.

Configurações de Qualidade Constante

Q0 e Q5 referem a níveis diferentes de quantização. Q5 possui um nível de quantização maior, mas oferece uma taxa de dados altamente otimizada. Como mencionado anteriormente, a configuração de qualidade constante pode produzir arquivos que crescem ou diminuem bastante, dependendo do que você estiver gravando. Isto também significa que é possível gravar imagens e observar o tamanho do arquivo aumentar além da capacidade do seu cartão de mídia. Isto pode resultar em quadros descartados. Mas, a vantagem é que você pode observar instantaneamente se isto acontecer em uma filmagem e, então, comparar suas configurações em relação à qualidade.

Blackmagic RAW Player

O Blackmagic RAW Player incluído com o instalador de software da sua câmera Blackmagic é um aplicativo otimizado para o visionamento de clipes. Basta clicar duas vezes em um arquivo Blackmagic RAW para abri-lo e você poderá reproduzir e depurar o arquivo rapidamente com resolução e profundidade de bits máximas.

Ao decodificar quadros, a aceleração de CPU na biblioteca SDK oferece suporte a todas as principais arquiteturas e também é compatível com a aceleração de GPU via Apple Metal, Nvidia CUDA e OpenCL. Ele também funciona com a Blackmagic eGPU para desempenho avançado. O Blackmagic RAW Player está disponível para Mac, Windows e Linux.

Arquivos Sidecar

Os arquivos sidecar do Blackmagic RAW permitem que você sobreponha metadados em um arquivo sem substituir os metadados integrados do arquivo original. Esses metadados incluem as configurações RAW, além de informações sobre íris, foco, distância focal, balanço de branco, tonalidade, espaço de cor, nome do projeto, número da tomada e muito mais. Os metadados são codificados quadro a quadro ao longo da duração do clipe, o que é importante para os dados da lente, caso a lente seja ajustada durante um plano de imagem. É possível adicionar ou editar metadados em arquivos sidecar com o DaVinci Resolve e, inclusive, com um editor de texto porque é um formato de leitura humana.

Os arquivos sidecar podem ser usados para adicionar novas configurações Blackmagic RAW para reprodução automaticamente ao simplesmente mover o arquivo sidecar para a mesma pasta do arquivo Blackmagic RAW correspondente. Se você retirar o arquivo sidecar da pasta e abrir o arquivo Blackmagic RAW novamente, as alterações das configurações não serão aplicadas e você verá o arquivo da forma como foi gravado originalmente. Qualquer software utilizando o SDK Blackmagic RAW é capaz de acessar estas configurações. As alterações feitas são gravadas em um arquivo sidecar e, em seguida, podem ser visualizadas no Blackmagic RAW Player ou qualquer outro software capaz de ler arquivos Blackmagic RAW.

Ao gravar com a gama de vídeo, o arquivo permanece na gama de filme e os metadados indicam ao processamento Blackmagic RAW que faça a exibição usando a gama de vídeo. A gama de vídeo é excelente quando você não quiser tratar as cores da imagem e entregar o conteúdo rapidamente. No entanto, se desejar salientar as partes pretas de uma imagem ou reduzir as áreas brancas, todos os detalhes são mantidos. O vídeo nunca fica sobressaturado e todos os detalhes continuam ali caso deseje acessá-los a qualquer momento.

Blackmagic RAW no DaVinci Resolve

As configurações de cada arquivo Blackmagic RAW podem ser ajustadas e salvas como um novo arquivo sidecar a partir da aba “Câmera RAW” no DaVinci Resolve para efeitos criativos ou visualização otimizada. Isto também significa que você pode copiar suas mídias para outros artistas usando o DaVinci Resolve e eles terão acesso às suas configurações de gama automaticamente modificadas na importação. Além dos outros metadados incluídos nos seus arquivos de câmera, o DaVinci Resolve pode ler a sua faixa dinâmica selecionada, assim os clipes serão exibidos automaticamente com a faixa dinâmica de “filme”, “vídeo expandido” ou “vídeo”.

É possível personalizar estas configurações ao ajustar saturação, contraste e ponto médio, além da modulação de realces e sombras. Todos os ajustes podem ser salvos como um arquivo sidecar para que as alterações possam ser visualizadas por qualquer pessoa trabalhando com os arquivos na pós. É sempre possível retornar aos metadados originais da câmera a qualquer hora.

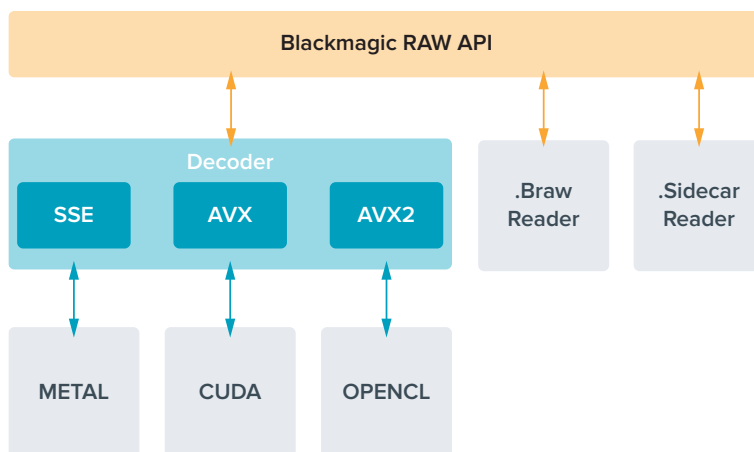
Você também pode exportar um único quadro Blackmagic RAW a partir da aba “Câmera RAW” no DaVinci Resolve, que contém todas as ajustes, metadados, resolução completa e informações de cores, para que seja fácil compartilhar um único quadro ou um arquivo de referência com os outros.

Para mais informações sobre como usar o Blackmagic RAW no DaVinci Resolve, visite o capítulo ‘Usar o DaVinci Resolve’ neste manual.

Kit de Desenvolvimento de Software Blackmagic RAW

O Kit de Desenvolvimento de Software (SDK) para o Blackmagic RAW é uma API desenvolvida pela Blackmagic Design. Você pode usar o SDK Blackmagic RAW para escrever seus próprios aplicativos e utilizar o formato Blackmagic RAW. Esta biblioteca SDK pode ser usada por qualquer desenvolvedor para adicionar suporte para leitura, edição e para salvar arquivos Blackmagic RAW. O SDK Blackmagic RAW inclui toda a ciência de cores de quarta geração para que você obtenha imagens cinematográficas orgânicas em todos os aplicativos compatíveis. O SDK Blackmagic RAW é compatível com Mac, Windows e Linux, e está disponível como um download gratuito na página para desenvolvedores do site da Blackmagic em www.blackmagicdesign.com/br/developer.

O diagrama a seguir ilustra os componentes da API Blackmagic RAW:



Taxas de Quadro Máximas do Sensor

Taxas de Quadro Máximas do Sensor Blackmagic Pocket Cinema Camera 6K

	Resolução	Codec	Escaneamento do sensor	Taxa de Quadro Máx.
6K	6144 x 3456	Blackmagic RAW	Completo	50
6K 2.4:1	6144 x 2560	Blackmagic RAW	Janelado	60
5.7K 17:9	5744 x 3024	Blackmagic RAW	Janelado	60
4K DCI	4096 x 2160	ProRes 422 HQ	Dimensionado de 5.7K	60
	4096 x 2160	ProRes 422	Dimensionado de 5.7K	60
	4096 x 2160	ProRes 422 LT	Dimensionado de 5.7K	60
	4096 x 2160	ProRes 422 Proxy	Dimensionado de 5.7K	60
Ultra HD	3840 x 2160	ProRes 422 HQ	Dimensionado de completo	50
	3840 x 2160	ProRes 422	Dimensionado de completo	50
	3840 x 2160	ProRes 422 LT	Dimensionado de completo	50
	3840 x 2160	ProRes 422 Proxy	Dimensionado de completo	50
	3840 x 2160	ProRes 422 HQ	Dimensionado de 5.7K	60
	3840 x 2160	ProRes 422	Dimensionado de 5.7K	60
	3840 x 2160	ProRes 422 LT	Dimensionado de 5.7K	60
	3840 x 2160	ProRes 422 Proxy	Dimensionado de 5.7K	60
3.7K Anamórfico	3728 x 3104	Blackmagic RAW	Janelado	60
2.8K 17:9	2868 x 1512	Blackmagic RAW	Janelado	120

	Resolução	Codec	Escaneamento do sensor	Taxa de Quadro Máx.
HD	1920 x 1080	ProRes 422 HQ	Dimensionado de completo	50
	1920 x 1080	ProRes 422	Dimensionado de completo	50
	1920 x 1080	ProRes 422 LT	Dimensionado de completo	50
	1920 x 1080	ProRes 422 Proxy	Dimensionado de completo	50
	1920 x 1080	ProRes 422 HQ	Dimensionado de 5.7K	60
	1920 x 1080	ProRes 422	Dimensionado de 5.7K	60
	1920 x 1080	ProRes 422 LT	Dimensionado de 5.7K	60
	1920 x 1080	ProRes 422 Proxy	Dimensionado de 5.7K	60
	1920 x 1080	ProRes 422 HQ	Dimensionado de 2.7K	120
	1920 x 1080	ProRes 422	Dimensionado de 2.7K	120
	1920 x 1080	ProRes 422 LT	Dimensionado de 2.7K	120
	1920 x 1080	ProRes 422 Proxy	Dimensionado de 2.7K	120

Taxas de Quadro Máximas do Sensor Blackmagic Pocket Cinema Camera 4K

	Resolução	Codec	Escaneamento do sensor	Taxa de Quadro Máx.
4K DCI	4096 x 2160	Blackmagic RAW	Completo	60
	4096 x 2160	ProRes 422 HQ	Completo	60
	4096 x 2160	ProRes 422	Completo	60
	4096 x 2160	ProRes 422 LT	Completo	60
	4096 x 2160	ProRes 422 Proxy	Completo	60
4K 2.4:1	4096 x 1712	Blackmagic RAW	Janelado	75
Ultra HD	3840 x 2160	Blackmagic RAW	Janelado	60
	3840 x 2160	ProRes 422 HQ	Janelado	60
	3840 x 2160	ProRes 422	Janelado	60
	3840 x 2160	ProRes 422 LT	Janelado	60
	3840 x 2160	ProRes 422 Proxy	Janelado	60
2.8K Anamórfico	2880 x 2160	Blackmagic RAW	Janelado	80
2.6K 16:9	2688 x 1512	Blackmagic RAW	Janelado	120
HD	1920 x 1080	ProRes 422 HQ	Dimensionado de completo	60
	1920 x 1080	ProRes 422	Dimensionado de completo	60
	1920 x 1080	ProRes 422 LT	Dimensionado de completo	60
	1920 x 1080	ProRes 422 Proxy	Dimensionado de completo	60
	1920 x 1080	ProRes 422 HQ	Dimensionado de 2.6K	120
	1920 x 1080	ProRes 422	Dimensionado de 2.6K	120
	1920 x 1080	ProRes 422 LT	Dimensionado de 2.6K	120
	1920 x 1080	ProRes 422 Proxy	Dimensionado de 2.6K	120
	1920 x 1080	Blackmagic RAW	Janelado	120
	1920 x 1080	ProRes 422 HQ	Janelado	120
	1920 x 1080	ProRes 422	Janelado	120
	1920 x 1080	ProRes 422 LT	Janelado	120
	1920 x 1080	ProRes 422 Proxy	Janelado	120

OBSERVAÇÃO O formato de gravação 2.6K 16:9 tem uma área do sensor otimizada para uso com lentes Super 16 mm e taxas de quadro altas.

Duração de Gravação

Estas tabelas indicam a duração aproximada de gravação em minutos e segundos com base no formato, taxa de quadro do projeto e capacidade da mídia. É importante observar que as resoluções e codecs disponíveis variam entre a Pocket Cinema Camera 6K e a Pocket Cinema Camera 4K.

O tempo máximo de gravação para a sua mídia de armazenamento pode variar conforme a capacidade de dados do seu cartão CFast, SD ou unidade flash USB-C, e o formato de gravação e taxa de quadro selecionados. Por exemplo, a taxa de armazenamento para Apple ProRes 422 HQ a 3840 x 2160 é de aproximadamente 880 Mbps. A 24 quadros por segundo, você pode gravar cerca de 47 minutos de vídeo em um cartão CFast 2.0 de 256 GB. Com as mesmas configurações, é possível gravar aproximadamente 23 minutos de vídeo em um cartão CFast 2.0 de 128 GB, que é aproximadamente metade da duração da gravação do cartão de 256 GB.

Convém notar que a duração de gravação da mídia pode variar ligeiramente entre fabricantes diferentes. Ela também pode variar se a mídia de armazenamento for formatada como exFAT ou Mac OS X Expandido.

Composições simples contendo menos detalhes tendem a exigir menos dados que composições mais densas. Os valores nestas tabelas levam em consideração planos de imagem de alta complexidade, o que significa que você pode obter tempos de gravação mais longos dependendo do seu tipo de filmagem.

6K					
Cartões CFast	Taxa de Quadro	Blackmagic RAW 3:1	Blackmagic RAW 5:1	Blackmagic RAW 8:1	Blackmagic RAW 12:1
256GB		Duração	Duração	Duração	Duração
	23.98	17 min	28 min	45 min	67 min
	24	17 min	28 min	45 min	67 min
	25	16 min	27 min	43 min	64 min
	30	13 min	22 min	36 min	54 min
	50	8 min	13 min	21 min	32 min

6K 2.4:1					
Cartões CFast	Taxa de Quadro	Blackmagic RAW 3:1	Blackmagic RAW 5:1	Blackmagic RAW 8:1	Blackmagic RAW 12:1
256GB		Duração	Duração	Duração	Duração
	23.98	23 min	38 min	60 min	91 min
	24	22 min	38 min	60 min	91 min
	25	21 min	36 min	58 min	87 min
	30	18 min	30 min	48 min	72 min
	50	11 min	18 min	29 min	43 min
	60	9 min	15 min	24 min	36 min

5.7K 17:9					
Cartões CFast	Taxa de Quadro	Blackmagic RAW 3:1	Blackmagic RAW 5:1	Blackmagic RAW 8:1	Blackmagic RAW 12:1
256GB		Duração	Duração	Duração	Duração
	23.98	20 min	34 min	55 min	82 min
	24	20 min	34 min	55 min	82 min
	25	19 min	33 min	52 min	79 min
	30	16 min	27 min	44 min	66 min
	50	10 min	16 min	26 min	39 min
	60	8 min	13 min	22 min	33 min

4K DCI									
Cartões CFast	Taxa de Quadro	Blackmagic RAW 3:1	Blackmagic RAW 5:1	Blackmagic RAW 8:1	Blackmagic RAW 12:1	ProRes 422 HQ	ProRes 422	ProRes 422 LT	ProRes 422 Proxy
256GB		Duração	Duração	Duração	Duração	Duração	Duração	Duração	Duração
	23.98	39 min	65 min	104 min	155 min	44 min	66 min	95 min	216 min
	24	39 min	65 min	103 min	155 min	44 min	66 min	95 min	216 min
	25	37 min	62 min	99 min	149 min	42 min	64 min	91 min	207 min
	30	31 min	52 min	83 min	124 min	35 min	53 min	76 min	173 min
	50	18 min	31 min	49 min	74 min	21 min	32 min	45 min	104 min
	60	15 min	26 min	41 min	62 min	17 min	26 min	38 min	87 min

4K 2.4:1					
Cartões CFast	Taxa de Quadro	Blackmagic RAW 3:1	Blackmagic RAW 5:1	Blackmagic RAW 8:1	Blackmagic RAW 12:1
256GB		Duração	Duração	Duração	Duração
	23.98	50 min	84 min	134 min	201 min
	24	50 min	84 min	134 min	201 min
	25	48 min	81 min	129 min	193 min
	30	40 min	67 min	108 min	161 min
	50	24 min	40 min	65 min	97 min
	60	20 min	33 min	54 min	81 min
	80	17 min	28 min	45 min	68 min

ULTRA HD									
Cartão CFast	Taxa de Quadro	Blackmagic RAW 3:1	Blackmagic RAW 5:1	Blackmagic RAW 8:1	Blackmagic RAW 12:1	ProRes 422 HQ	ProRes 422	ProRes 422 LT	ProRes 422 Proxy
256GB		Duração	Duração	Duração	Duração	Duração	Duração	Duração	Duração
	23.98	41 min	68 min	110 min	164 min	47 min	71 min	101 min	230 min
	24	41 min	68 min	109 min	164 min	47 min	71 min	101 min	230 min
	25	39 min	66 min	105 min	157 min	45 min	68 min	97 min	221 min
	30	33 min	55 min	88 min	131 min	38 min	57 min	81 min	184 min
	50	19 min	33 min	52 min	79 min	22 min	34 min	48 min	111 min
	60	16 min	27 min	44 min	66 min	18 min	28 min	40 min	92 min

3.7K Anamórfico					
Cartões CFast	Taxa de Quadro	Blackmagic RAW 3:1	Blackmagic RAW 5:1	Blackmagic RAW 8:1	Blackmagic RAW 12:1
256GB		Duração	Duração	Duração	Duração
	23.98	31 min	51 min	82 min	123 min
	24	31 min	51 min	82 min	123 min
	25	29 min	49 min	79 min	118 min
	30	24 min	41 min	65 min	98 min
	50	15 min	24 min	39 min	59 min
	60	12 min	20 min	33 min	49 min

2.8K Anamórfico					
Cartões CFast	Taxa de Quadro	Blackmagic RAW 3:1	Blackmagic RAW 5:1	Blackmagic RAW 8:1	Blackmagic RAW 12:1
256GB		Duração	Duração	Duração	Duração
	23.98	57 min	95 min	151 min	226 min
	24	57 min	95 min	151 min	226 min
	25	54 min	91 min	145 min	217 min
	30	45 min	76 min	121 min	181 min
	50	27 min	45 min	73 min	109 min
	60	22 min	38 min	61 min	91 min
	80	17 min	28 min	45 min	68 min

2.8K 17:9					
Cartões CFast	Taxa de Quadro	Blackmagic RAW 3:1	Blackmagic RAW 5:1	Blackmagic RAW 8:1	Blackmagic RAW 12:1
256GB		Duração	Duração	Duração	Duração
	23.98	81 min	136 min	216 min	321 min
	24	81 min	135 min	215 min	320 min
	25	78 min	130 min	207 min	308 min
	30	65 min	108 min	173 min	258 min
	50	39 min	65 min	104 min	156 min
	60	32 min	54 min	87 min	130 min
	120	16 min	27 min	43 min	65 min

2.6K 16:9					
Cartões CFast	Taxa de Quadro	Blackmagic RAW 3:1	Blackmagic RAW 5:1	Blackmagic RAW 8:1	Blackmagic RAW 12:1
256GB		Duração	Duração	Duração	Duração
	23.98	87 min	144 min	230 min	342 min
	24	87 min	144 min	229 min	342 min
	25	83 min	138 min	220 min	328 min
	30	69 min	115 min	184 min	275 min
	50	41 min	69 min	111 min	166 min
	60	34 min	58 min	92 min	138 min
	120	17 min	29 min	46 min	69 min

HD									
Cartões CFast	Taxa de Quadro	Blackmagic RAW 3:1	Blackmagic RAW 5:1	Blackmagic RAW 8:1	Blackmagic RAW 12:1	ProRes 422 HQ	ProRes 422	ProRes 422 LT	ProRes 422 Proxy
256GB		Duração	Duração	Duração	Duração	Duração	Duração	Duração	Duração
	23.98	159 min	264 min	418 min	619 min	189 min	283 min	403 min	877 min
	24	159 min	264 min	418 min	618 min	189 min	283 min	403 min	877 min
	25	153 min	253 min	402 min	595 min	182 min	271 min	387 min	843 min
	30	127 min	212 min	336 min	499 min	152 min	227 min	324 min	710 min
	50	76 min	127 min	203 min	303 min	91 min	137 min	196 min	434 min
	60	64 min	106 min	170 min	254 min	76 min	114 min	163 min	363 min
	120	32 min	54 min	87 min	130 min	38 min	57 min	82 min	185 min

OBSERVAÇÃO É importante observar que o Blackmagic RAW está disponível para formatos de gravação com escaneamento completo ou janelado do sensor. Para todos os formatos dimensionados, selecione um codec ProRes.

Os formatos 6K, 6K 2.4:1, 5.7K 17:9, 3.7K Anamórfico e 2.8K 17:9 estão disponíveis apenas na Pocket Cinema Camera 6K e utilizam o codec Blackmagic RAW. A Pocket Cinema Camera 6K utiliza ProRes para formatos DCI 4K, Ultra HD e HD.

Os formatos 4K 2.4:1, 2.8K Anamórfico e 2.6K 16:9 estão disponíveis apenas na Pocket Cinema Camera 4K e utilizam o codec Blackmagic RAW. A Blackmagic Pocket Cinema Camera 4K utiliza ProRes para formatos DCI 4K, Ultra HD e HD.

As configurações de qualidade constante para Q0 e Q5 exibirão durações variáveis do tempo restante de gravação. A duração estimada para Q0 é semelhante à taxa de bit constante 3:1 e Q5 exibirá uma duração semelhante à 12:1. No entanto, como a duração estimada é atualizada a cada 10 segundos conforme você grava, a melhor maneira para avaliar quanto tempo de gravação resta é gravando por 20 segundos e monitorando a duração na área de mídia exibida na tela de toque.

Selecionar Taxas de Quadro

Como a sua câmera é capaz de gravar vídeos utilizando muitas taxas de quadro diferentes, você pode ficar na dúvida sobre qual usar.

Geralmente, ao selecionar uma taxa de quadro do sensor, há alguns itens comuns a considerar. Por muitos anos, padrões de apresentação para o cinema e a televisão vêm sendo utilizados. Eles possuem taxas de quadro definidas que são diferentes de um país para outro. Mas, todos compartilham do mesmo propósito, isto é, exibir um número eficiente de quadros a cada segundo que apresente movimentos satisfatórios e convincentes.

No cinema, por exemplo, é comum o padrão de 24 quadros por segundo e, embora tenha havido testes recentes com taxas de quadro mais rápidas, este padrão continua sendo amplamente aceito pelo público internacional.

As taxas de quadro para a televisão geralmente seguem os padrões broadcast técnicos de cada país. Por exemplo, na produção de conteúdo televisivo, você tipicamente grava usando 29.97 quadros por segundo para distribuição norte-americana e 25 quadros por segundo para distribuição europeia.

No entanto, como a tecnologia tem se aperfeiçoado, hoje em dia nós temos mais opções de escolha e os padrões broadcast estão mudando. Agora, é comum gravar e transmitir eventos esportivos a taxas de quadro mais elevadas. Alguns eventos esportivos são gravados e transmitidos a até 59.94 quadros por segundo na América do Norte e a 50 quadros por segundo na Europa, por exemplo. Isto gera movimentos mais fluidos em ações rápidas e tem uma aparência mais realista.

Como alternativa, difusores online e de streaming geralmente utilizam taxas de quadro similares às da televisão, mas há mais liberdade para experimentarem devido aos formatos de visualização selecionáveis pelo usuário, com a única limitação sendo a capacidade de exibição das telas do público.

No geral, ao selecionar uma taxa de quadro para um projeto, permita que o seu formato de entrega oriente sua escolha. A taxa de quadro do projeto da sua câmera deve ser definida de acordo com isso, e o quadro do sensor deve ser definido para corresponder. Assim, seus cliques serão reproduzidos na mesma velocidade que o evento ocorreu na vida real.

Caso queira criar um efeito interessante, como câmera lenta, será necessário definir a taxa de quadro do sensor em uma configuração mais alta. Quanto mais alta a taxa de quadro do sensor em comparação à taxa de quadro do projeto, mais lenta será a velocidade de reprodução.

Para mais informações sobre o uso de taxas de quadro do sensor off-speed na realização de efeitos criativos, consulte a seção 'Controles da Tela de Toque'.

Disparo de Gravação

A Blackmagic Pocket Cinema Camera envia um sinal automático através da saída HDMI que disparará a gravação quando estiver conectada a equipamentos compatíveis com o recurso de disparo de gravação, como o Blackmagic Video Assist.

Assim, quando você pressionar o botão de gravação na sua câmera, seu gravador externo também começará a gravar e será interrompido quando você parar de gravar na câmera. A sua câmera fará a saída do código de tempo via HDMI, o que significa que os clipes gravados no seu gravador externo terão o mesmo código de tempo que os clipes captados com a câmera.

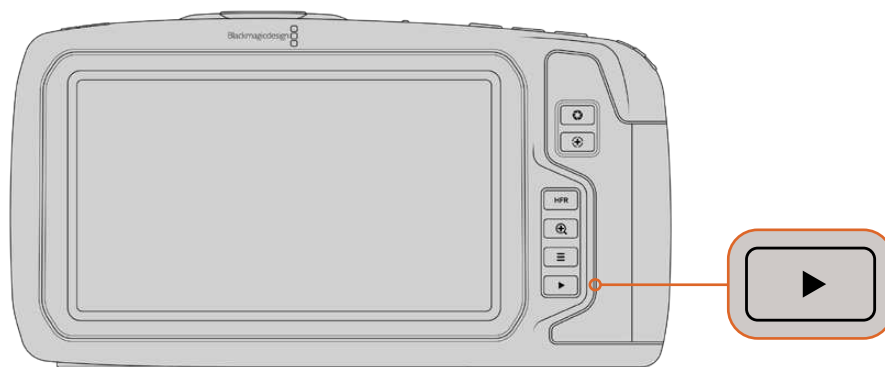
Caso seu gravador externo seja compatível com disparo de gravação, você precisará habilitá-lo. Normalmente, isto pode ser feito via o menu de configurações.

Reprodução

Reproduzir Clipes

Depois de gravar seu vídeo, você pode usar os botões de controle de transporte para reproduzi-los na tela LCD. Basta pressionar o botão de reprodução para alternar para o modo de reprodução. Pressione o botão novamente para a reprodução instantânea do último clipe gravado na tela LCD e em qualquer display conectado à saída HDMI. Pressione os botões de avanço e retrocesso para pular para o início ou o fim do clipe. A reprodução será concluída quando o clipe atual chegar ao fim.

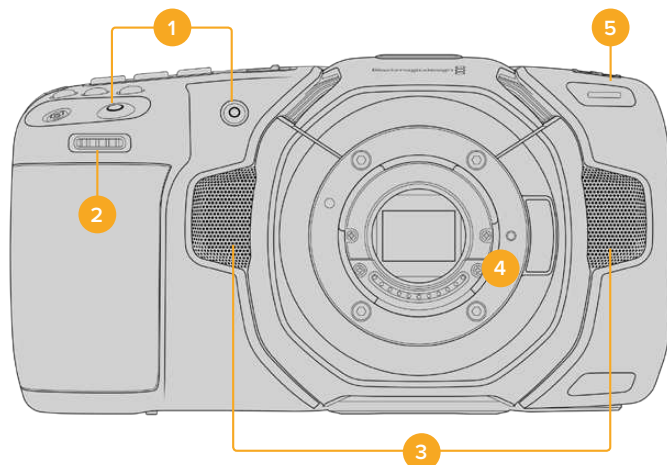
Pressione os botões de avanço e retrocesso para saltar para o início ou o fim do clipe. Pressione o botão de retrocesso uma vez para ir até o início do clipe atual ou pressione duas vezes para voltar ao início do clipe anterior. Pressione o botão de gravação para sair da reprodução e retornar à tela de toque para a visualização de câmera.



Para visualizar o seu último clipe gravado na tela de toque integrada, pressione o botão de reprodução nos controles de transporte.

Recursos de Câmera

Frente da Câmera



1 Botões de Gravação

Pressione qualquer um dos botões de gravação para iniciar e parar gravações. Há um botão de gravação localizado na frente da câmera, permitindo que você inicie e pare a gravação mais facilmente, se estiver gravando a si mesmo.

2 Roda de Configurações

A roda de configurações permite que você ajuste a abertura de lentes compatíveis fixadas na sua câmera. Com a tela de toque virada na sua direção, gire a roda à esquerda para abrir a íris e à direita para fechá-la. A roda de configurações também é usada para ajustar as configurações do balanço de branco, ângulo do obturador e ISO. Pressione os botões correspondentes na parte superior da câmera e, depois, faça a sua seleção girando a roda. Após fazer sua seleção, pressione a roda de configurações para sair rapidamente do menu de seleção.

3 Microfones Estéreo

Há quatro microfones estéreo de alta qualidade integrados. Consulte a seção 'Configurações de Áudio' para mais informações sobre as configurações de áudio para microfones.

4 Encaixe de Lente

A Blackmagic Pocket Cinema Camera 6K possui um encaixe de lentes EF ativo e o modelo 4K possui um encaixe de lentes Micro Quatro Terços ativo. Isto significa que você pode usar lentes com estabilização integrada, assim como foco automático e exposição automática com lentes compatíveis. Para utilizar o estabilizador de imagem ou o recurso "IS" encontrado em muitas lentes ativas, ajuste a chave do estabilizador na posição "On" para habilitar a estabilização de imagem da câmera. Caso a sua lente também possua uma chave de controle de estabilização, selecione modo adequado para planos de imagem estáticos ou em movimento. Caso sua lente não tenha uma chave estabilizadora física, é possível habilitar ou desabilitar a estabilização de imagem no menu de configurações da sua câmera.

5 Indicador de Gravação / Sinalização

A sua câmera possui um pequeno LED na parte frontal que acende em vermelho para indicar que a câmera está gravando. É possível habilitar ou desabilitar o indicador de luz de sinalização e ajustar o seu brilho no menu de configurações. Consulte a seção 'Ajustar Configurações' para mais informações.

Lado Direito



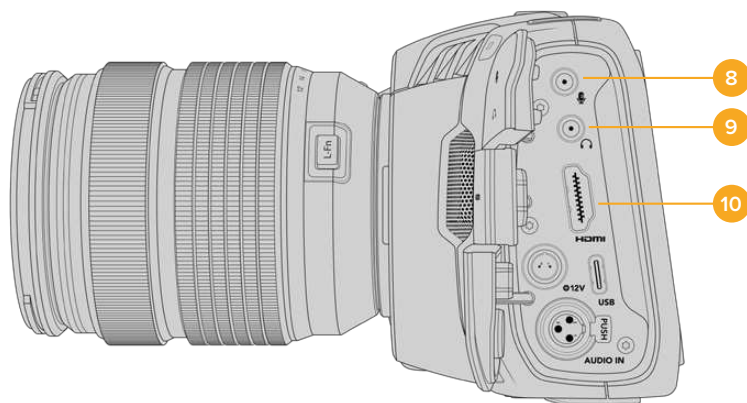
6 Compartimento para Cartão CFast

Insira cartões CFast 2.0 nos compartimentos para gravação e reprodução. Para mais informações, consulte a seção 'Cartões CFast'.

7 Compartimento para Cartão SD

Insira cartões SD nos compartimentos para gravação e reprodução. Para mais informações, consulte a seção 'Cartões SD'.

Lado Esquerdo



8 Entrada para Microfone 3,5 mm

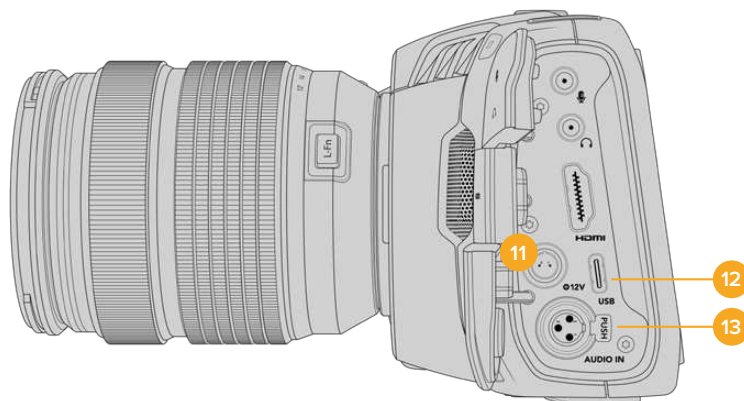
Conecte um microfone ao conector estéreo de 3,5 mm da sua câmera. Áudios com níveis de microfone e de linha são compatíveis. O áudio com nível de microfone é mais baixo do que o áudio com nível de linha, portanto se você conectar um microfone à câmera e o nível de linha estiver selecionado, os níveis ficarão baixos demais. A entrada para microfone também aceita códigos de tempo LTC em conformidade com SMPTE de uma fonte externa no canal esquerdo. Códigos de tempo válidos serão detectados automaticamente e integrados ao seu arquivo de vídeo como metadados de código de tempo. Recomendamos enviar o código de tempo LTC via uma saída de nível de linha, especialmente se você não estiver gravando o código de tempo como uma trilha de áudio.

9 Entrada para Fones de Ouvido

Monitore o áudio durante a gravação ou reprodução de clipes plugando seus fones de ouvido ao conector de fone de ouvido estéreo tipo jack de 3,5 mm. Quando os fones de ouvido estão conectados, a saída do alto-falante é silenciada.

10 Saída HDMI

O conector HDMI de tamanho grande é compatível com vídeos HD 1080p 4:2:2 de 10 bits com suporte para HDR e dois canais de áudio embutido. Use o menu da tela de toque para configurar uma alimentação limpa ou incluir sobreposições na saída.



11 Entrada de Alimentação

Você pode usar o conector DC tipo jack para alimentar sua câmera e carregar a bateria ao mesmo tempo. Para conectar o adaptador de alimentação, gire o plugue para que ele se alinhe ao entalhe na parte superior do conector e, depois, o pressione até que ele trave no lugar. Para desconectar o plugue de alimentação, retraia a proteção de travamento e retire o plugue.

Soluções de Alimentação Personalizadas

Alguns clientes têm criado dispositivos de alimentação personalizados como uma forma de alimentar sua Blackmagic Pocket Cinema Camera. Se estiver criando sua própria solução de alimentação com uma bateria de simulação, é preciso tomar cuidado para assegurar que você não esteja fornecendo voltagem demais para a sua câmera, pois isso pode causar danos permanentes à câmera. Os requisitos de potência da Pocket Cinema Camera são os seguintes:

- A conexão de entrada da bateria é classificada de 6.2 V ao máximo de 10 V.
- A entrada DC é classificada de 10.8 V ao máximo de 20 V.
- A câmera requer 16 W quando estiver no modo de espera e a bateria não estiver sendo carregada.
- A câmera requer 30 W quando carregando uma bateria do tipo LP-E6.
- Ao alimentar sua câmera com uma fonte de alimentação personalizada, recomendamos que você retire a bateria LP-E6.
- Ao gravar em mídias externas com uma lente ativa, brilho de tela máximo, brilho de sinalização máximo, taxas de quadro elevadas e sem carregar a bateria, a Pocket Cinema Camera 6K requer 25 W e a Pocket Cinema Camera 4K requer 22 W.

12 USB

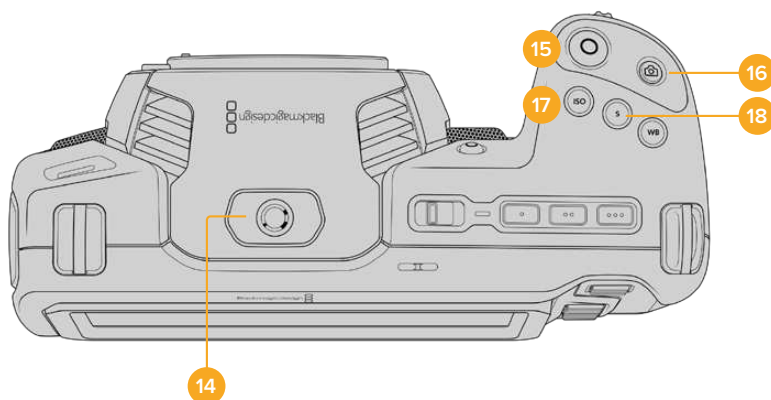
A porta USB-C permite que você grave diretamente na unidade flash USB-C inserida. Quando sua câmera estiver desligada, você pode carregar sua bateria através da porta USB-C a partir de uma fonte externa, como um banco de energia. Para atualizar o software interno da sua câmera, conecte a câmera a um computador através da porta USB-C e execute o aplicativo de atualização da câmera.

13 Entrada MiniXLR para Microfone

Conecte áudio analógico balanceado externo através do conector miniXLR. Um microfone XLR padrão pode ser conectado à sua câmera usando um cabo adaptador XLR para miniXLR.

A entrada miniXLR fornece alimentação fantasma para a conexão de microfones profissionais que não são alimentados internamente. Para mais informações sobre a habilitação da alimentação fantasma, consulte a seção 'Áudio' neste manual.

Painel Superior



14 Rosca de Montagem 1/4-20

Você pode usar a rosca de montagem 1/4-20 na parte superior da sua câmera para anexar um microfone externo ou outros acessórios pequenos.

OBSERVAÇÃO A rosca de 1/4" na parte superior da Pocket Cinema Camera deve ser usada somente para acessórios leves, como microfones pequenos. Não reforce o peso da câmera via a rosca superior de 1/4" usando acessórios como suportes de câmera aparafusáveis e lentes pesadas simultaneamente. Isto danificará a rosca de 1/4" e não será coberto pela garantia. Não exponha a rosca a forças excessivas, como a montagem de acessórios pesados em um braço extensor. Para fixar acessórios mais pesados, recomendamos o uso de uma gaiola de câmera desenvolvida para a Pocket Cinema Camera que se encaixe simultaneamente nas roscas de 1/4" superior e inferior.

15 Gravação

Pressione o botão de gravação na sua câmera para iniciar a gravação imediatamente. Pressione novamente para cessar a gravação.

16 Fotograma

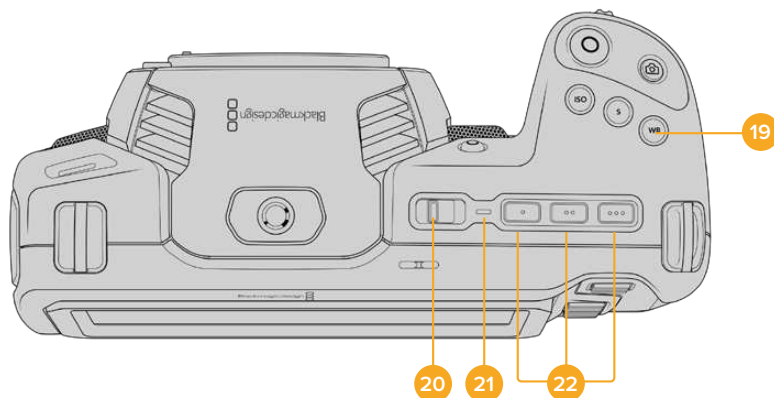
Para captar um único quadro DNG sem compactação, pressione o botão fotograma. Um ícone de câmera aparece rapidamente no canto superior direito da tela de toque para confirmar que você captou um fotograma com sucesso. Os arquivos de imagem serão salvos na pasta "Stills" no diretório raiz da mídia em que você estiver gravando no momento. Eles seguirão a convenção de nomeação de arquivo para os cliques de vídeo, mas o nome do arquivo conterá a denominação "S001" representando o número do fotograma, como os quatro últimos dígitos do nome do arquivo.

17 ISO

Pressione o botão ISO e, depois, gire a roda de configurações para ajustar a configuração ISO da sua câmera. O ISO pode ser configurado em incrementos de 1/3 de stop entre 100 e 25600.

18 Obturador

Para alterar o ângulo do obturador ou a velocidade do obturador, pressione o botão obturador e, depois, gire a roda de configurações. O display da tela de toque também recomendará até três seleções do obturador sem cintilação.



19 Balanço de Branco

Pressione o botão para balanço de branco e, depois, gire a roda de configurações para ajustar a configuração do balanço de branco da sua câmera. Você também pode acessar a tela de balanço de branco automático, segurando o botão “WB” por três segundos. Ao configurar o balanço de branco automaticamente, um quadrado será sobreposto no centro da sua imagem. Use esta área para fazer o balanço de branco automático. Consulte a seção ‘Controles da Tela de Toque’ para mais informações.

20 Chave de Alimentação

Use a chave de alimentação para ligar a câmera. Deslize a chave para a direita para ligar a sua câmera. Deslize a chave para a esquerda para desligá-la.

21 LED de Status

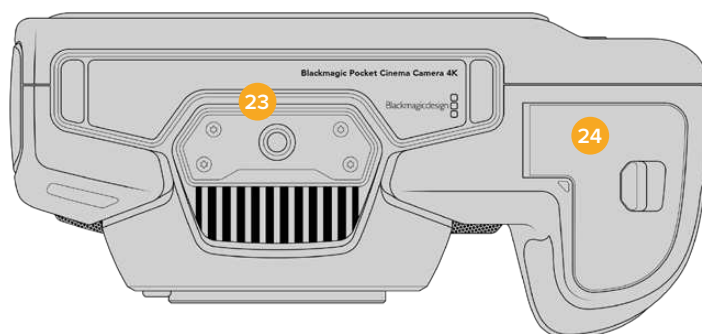
Quando a câmera estiver desligada e conectada à alimentação externa através do conector de alimentação tipo jack 12 V DC ou da porta USB-C, o indicador acende em vermelho para indicar que a bateria está sendo carregada.

O LED de status será desativado quando a bateria estiver completamente carregada.

22 Botões de Funções

Estes botões podem ser programados para uma variedade de funções comumente usadas, com o menu de configurações da sua câmera. Por padrão, o primeiro botão está configurado para cor falsa, o segundo botão para LUTs de exibição e o terceiro botão para guias de enquadramento.

Parte Inferior



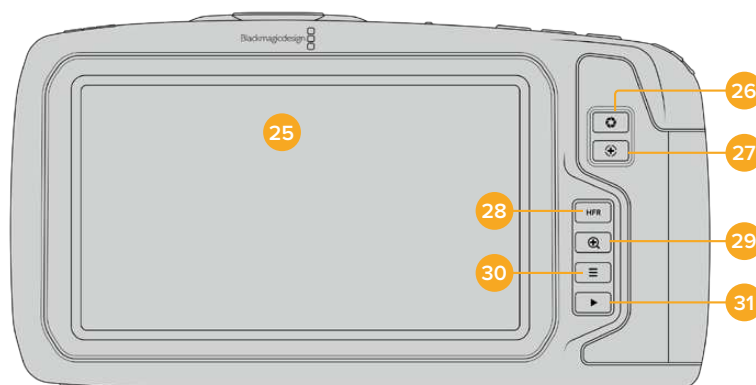
23 Rosca de Montagem 1/4-20

Fixe sua câmera a um tripé usando a rosca de montagem 1/4-20 da parte inferior.

24 Tampa da Bateria

Deslize a trava da porta da bateria no sentido do encaixe da lente para abrir a tampa da bateria. Para fechá-la, basta deslizar a tampa no sentido oposto até que trave no lugar.

Parte Traseira



25 Display da Tela de Toque

Monitore seus clipes durante a gravação e reprodução usando o display da tela de toque. Use gestos de toque e deslizamento para ajustar as configurações e controlar sua câmera.

26 Botão Íris

Ao pressionar o botão íris, você configurará automaticamente uma exposição média baseada nos realces e nas sombras da sua imagem. É possível ajustar a abertura da lente manualmente girando a roda de configurações à esquerda e à direita, ou tocando em “Íris” no display da tela de toque e ajustando o deslizador da íris.

27 Botão Foco

Ao utilizar uma lente com foco automático compatível com a sua câmera, pressione o botão de foco uma vez para focar automaticamente. Por padrão, a lente focará automaticamente no centro da imagem. Porém, você pode selecionar um ponto de foco automático alternativo, ao tocar na tela LCD na área que deseja focar. Pressione o botão de foco duas vezes para redefinir o ponto de foco para o centro da tela.

OBSERVAÇÃO É importante lembrar que, embora a maioria das lentes seja compatível com foco eletrônico, algumas lentes podem ser configuradas nos modos manual ou automático. Neste caso, você precisará confirmar que sua lente seja configurada no modo de foco automático.

28 Botão HFR

Use o botão HFR, “High Frame Rate”, para alternar taxas de quadro elevadas no modo off-speed. Para utilizar esta função, basta configurar a taxa de quadro off-speed que deseja usar no menu “Taxa de Quadro”. Após a configuração, o botão HFR alternará entre a taxa de quadro off-speed selecionada e a taxa de quadro do projeto. É importante mencionar que esta configuração pode ser ajustada somente quando a câmera não estiver gravando.

Para mais informações sobre as taxas de quadros do projeto e off-speed, consulte a seção ‘Controles da Tela de Toque’ neste manual.

29 Botão Zoom de Foco

Pressione o botão zoom de foco para ampliar o zoom e ajustar o foco na escala de pixel 1:1. Enquanto estiver com o zoom ampliado, você pode usar o gesto pinçar para aplicar zoom na tela de toque e ajustar o nível do zoom. Para mais informações, consulte a seção ‘Pinçar para Zoom’. Quando estiver com o zoom ampliado você pode tocar e arrastar na tela para visualizar partes diferentes da imagem. Para reduzir o zoom, pressione o botão zoom de foco novamente.

30 Botão Menu

Pressione o botão “Menu” para abrir o painel de controle.

31 Botão de Reprodução

Pressione o botão de reprodução para alternar para o modo de reprodução. Pressione o botão novamente para a reprodução instantânea do último clipe gravado na tela LCD e em qualquer display conectado à saída HDMI.

Controles da Tela de Toque

Recursos da Tela de Toque

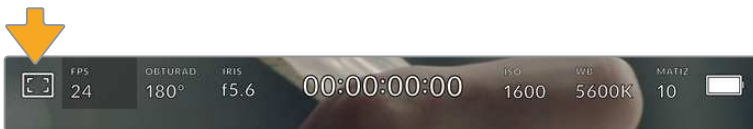
A tela de toque LCD da sua Blackmagic Pocket Cinema Camera inclui uma interface baseada em toques e gestos que foi desenvolvida especificamente para uma operação do usuário rápida e intuitiva. Ao tocar e deslizar sobre áreas diferentes da tela de toque, você pode acessar as funções de câmera rapidamente enquanto grava.



A tela de toque LCD da sua câmera Blackmagic fornece acesso fácil às configurações mais usadas na sua câmera.

Opções de Monitoramento LCD

Toque no ícone de monitoramento no canto superior esquerdo da tela de toque para acessar as configurações do monitor LCD. Estas configurações permitem alternar e ajustar a aparência dos recursos de monitoramento da sua câmera Pocket, incluindo zebras, assistente de foco, guias de enquadramento, grades, guias de áreas seguras e cor falsa. Ao acessar as opções do monitor LCD, os controles para estes recursos aparecem em um menu de abas ao longo da parte inferior da tela de toque LCD.

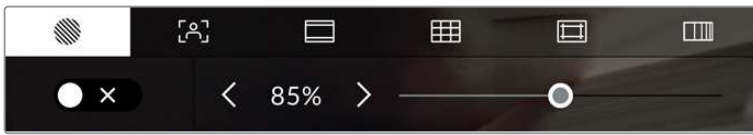


Toque no ícone no canto superior esquerdo da tela de toque LCD da sua câmera para acessar as opções do monitor LCD.

Zebra

A configuração “Zebra” alterna a exibição de zebras na tela de toque LCD, assim como os parâmetros dos marcadores de zebra para a saída HDMI.

A função zebra exibe linhas diagonais sobre as áreas da sua imagem que excedem um nível determinado de exposição. Por exemplo, a configuração da zebra a 100% revela as áreas que estão completamente superexpostas. Isto é útil para conseguir alcançar exposição máxima em condições de iluminação fixas.



Toque no ícone “Zebra” ao acessar as opções de monitoramento LCD para ajustar as configurações das zebras.

Para alternar as zebras na tela de toque LCD, toque no ícone de habilitação no canto inferior esquerdo da tela na aba “Zebra”.

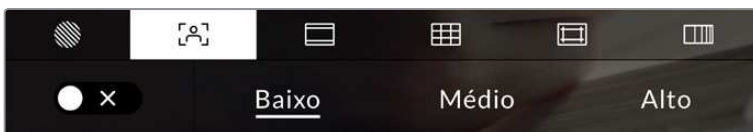
Configure o nível de exposição para a exibição das zebras arrastando o deslizador para a esquerda ou a direita ou tocando nas setas próximas da porcentagem do nível de zebra. O nível de zebra é ajustável em incrementos de cinco por cento entre exposições de 75 e 100 por cento.

Para mais informações sobre a habilitação da função zebra na saída HDMI da sua câmera, consulte a seção ‘Configurações de Monitoramento’ neste manual.

DICA Caso esteja gravando sob condições de iluminação variáveis, como ao ar livre em um dia parcialmente nublado, configurar o seu nível de zebra para um valor inferior a 100 pode alertá-lo sobre possíveis superexposições.

Assistente de Foco

A configuração de assistente de foco, alterna entre a exibição do assistente de foco na tela de toque LCD e os parâmetros do nível do assistente de foco para a saída HDMI na sua Blackmagic Pocket Cinema Camera.



Toque no ícone da assistência de foco nas opções de monitoramento LCD para acessar as configurações do assistente de foco da sua câmera.

Para alternar o assistente de foco na tela de toque LCD, toque no ícone de habilitação no canto inferior esquerdo da tela na aba de assistência de foco.

Para configurar o nível do assistente de foco para a saída HDMI na sua câmera, toque nos rótulos “Baixo”, “Médio” e “Alto”, ao longo da parte inferior da sua tela de toque.

O nível ideal para o pico de foco varia de acordo com cada plano de imagem. Ao focalizar nos atores, por exemplo, um nível mais alto do assistente de foco pode ajudar a solucionar detalhes de aresta nos rostos. Um plano com folhagem ou alvenaria, por outro lado, pode exibir quantidades confusas de informação de foco em configurações mais elevadas.

Para mais informações sobre a habilitação do assistente de foco na saída HDMI da câmera, consulte a seção ‘Configurações de Monitoramento’ neste manual.

DICA A sua Blackmagic Pocket Cinema Camera inclui dois modos de assistente de foco. É possível alternar os modos entre “Pico” e “Linhas Coloridas”, para assistência de foco no menu de configurações “Monitorar”. Para mais informações, consulte a seção ‘Configurações de Monitoramento’ neste manual.

Guias de Enquadramento

A configuração de guias de enquadramento, alterna a exibição das guias de enquadramento na tela de toque LCD. Também é possível escolher opções de guias de enquadramento para a saída HDMI da sua câmera.

As guias de enquadramento incluem proporções de tela para vários padrões cinematográficos, televisivos e online.



Toque no ícone das guias de enquadramento nas opções de monitoramento LCD para acessar as configurações das suas guias de enquadramento.

Para alternar o aspecto das guias de enquadramento na tela de toque LCD, toque no ícone de habilitação no canto esquerdo inferior da tela.

Escolha a guia de enquadramento desejada arrastando o deslizador para a direita ou esquerda ou tocando em uma das setas laterais da proporção de tela atualmente selecionada. Você também pode inserir uma proporção de guia de enquadramento personalizada ao tocar no valor entre os botões de seta.

As guias disponíveis incluem:

2.35:1, 2.39:1 e 2.40:1

Exibe proporções de tela widescreen abrangentes compatíveis com projeções cinematográficas em telas planas ou anamórficas. As três configurações widescreen diferem um pouco com base nas mudanças dos padrões de cinema ao longo do tempo. O padrão 2.39:1 é um dos mais proeminentes atualmente.



Tela de toque LCD com guias de enquadramento 2.40:1 habilitadas.

2:1

Exibe uma proporção de tela ligeiramente mais larga que 16:9, mas não tão larga quanto 2.35:1.

1.85:1

Exibe outra proporção de tela cinematográfica em formato widescreen plano comum. Esta proporção é ligeiramente mais larga que HDTV 1.78:1 mas não tão larga quanto 2.39:1.

16:9

Exibe uma proporção de tela 1.78:1 compatível com televisores e telas de computador HD 16:9. Esta proporção é mais comumente usada para teledifusão e vídeos online HD. A mesma proporção de tela também foi adotada para teledifusão de Ultra HD.

14:9

Exibe uma proporção de tela 14:9 usada apenas por algumas emissoras televisivas como um meio-termo entre televisores 16:9 e 4:3. Na medida do possível, imagens 16:9 e 4:3 permanecem legíveis quando cortadas para o centro para encaixar em 14:9. Você pode usar esta proporção como um guia composicional caso seu projeto seja veiculado por uma emissora televisiva com proporção 14:9.

4:3

Exibe a proporção de tela 4:3 compatível com telas de televisores SD ou para auxiliar no enquadramento com adaptadores anamórficos 2x.

1:1

Exibe uma proporção de tela 1:1, ligeiramente menor que 4:3. Esta proporção quadrada está cada vez mais popular para mídias sociais.

4:5

Exibe uma proporção de tela 4:5. Esta proporção de tela vertical é ideal para retratos e visualização em celulares.

Proporção de Enquadramento de Tela Personalizada

Para criar sua própria proporção de guia de enquadramento para um aspecto original, toque no valor exibido entre os botões de seta. Na tela "Guia Personalizada" aperte a tecla backspace para excluir a proporção atual, depois use o teclado numérico para especificar uma nova proporção. Toque em "Atualizar" para aplicar a proporção de enquadramento de tela personalizada e retornar a gravar.



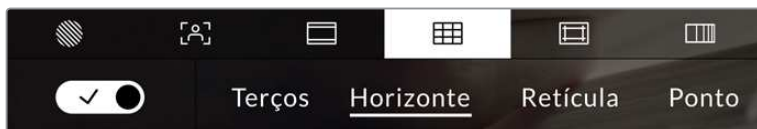
Utilize o teclado numérico na página "Guia Personalizada" para inserir uma nova proporção para as guias de enquadramento.

DICA É possível alterar a opacidade das sobreposições das guias de enquadramento. Para mais informações, consulte a seção 'Configurações de Monitoramento' neste manual.

OBSERVAÇÃO Para mais informações sobre como habilitar as guias de enquadramento na saída HDMI da sua câmera, consulte a seção 'Configurações de Monitoramento' neste manual.

Grades

A configuração de grades alterna o modo de exibição para uma grade de regra dos terços, indicador de horizonte, retícula ou ponto central, assim como a definição de sobreposição que estará visível na saída HDMI.



Toque no ícone de grades ao entrar nas opções de monitoramento LCD para acessar as configurações de grade.

As grades e retícula são sobreposições que podem auxiliar na composição das imagens. Quando as grades são habilitadas, o LCD exibe uma grade de regra dos terços, retícula ou ponto central.

Para alternar a exibição das grades na tela de toque LCD da sua câmera, toque no ícone de habilitação no canto inferior esquerdo da tela na aba das guias de enquadramento.

Para configurar a sobreposição que você deseja exibir nas saídas LCD e HDMI, toque nas opções “Terços”, “Horizonte”, “Retícula” ou “Ponto”. É possível selecionar uma das opções “Horizonte”, “Retícula” ou “Ponto” por vez junto de “Terços”. Isto permite utilizar uma combinação de “Terços” e “Horizonte”, “Terços” e “Retícula” ou “Terços” e “Ponto”.



A grade de regra dos terços se redimensiona automaticamente para qualquer guia de enquadramento na tela.

Terços

A configuração de terços exibe uma grade com duas linhas verticais e horizontais posicionadas em cada terço da imagem. Os terços são uma ferramenta extremamente eficaz para auxiliar na composição dos seus planos. Por exemplo, o olho humano geralmente procura pela ação perto dos pontos onde as linhas se cruzam, então é vantajoso enquadrar pontos de interesse importantes nessas zonas. A linha de visão de um ator geralmente é enquadrada no canto superior da tela, assim você pode usar o terço horizontal superior para guiar seu enquadramento. Os terços também são úteis para manter o enquadramento consistente entre os planos.

Horizonte





O indicador “Horizonte” mostra quando a sua câmera está orientada para a esquerda ou direita e inclinada para cima ou para baixo. Isto pode ajudá-lo a manter o horizonte nivelado durante filmagens na mão e equilibrar a inclinação da câmera em um gimbal.

A direção pela qual a linha cinza vertical se afasta da retícula cinza escura no centro demonstra a direção à qual a sua câmera está orientada. Quando a câmera está inclinada para baixo, a linha cinza clara horizontal move-se para cima, e quando a câmera estiver inclinada para cima, a linha cinza clara horizontal se move para baixo.

A distância pela qual as linhas se afastam da retícula central é proporcional à quantidade de orientação ou inclinação. Após a calibração do sensor de movimento da câmera, a linha vertical fica azul quando a câmera está alinhada ao eixo de orientação e a linha horizontal fica azul para indicar que a câmera está alinhada ao eixo de inclinação.

Observe que se a câmera estiver inclinada diretamente para baixo para um plano aéreo ou diretamente para cima, o indicador de horizonte também leva isso em conta. Se você virar a câmera para gravar na orientação de retrato, o indicador de horizonte rotaciona seu eixo em 90 graus.

Esta tabela mostra exemplos do indicador de horizonte exibindo a inclinação e orientação da câmera.

Medidor de Horizonte	Descrição
	Reta e nivelada
	Inclinada para baixo e nivelada
	Reta e orientada à esquerda
	Inclinada para cima e orientada à direita

Para uso normal, calibre o indicador de horizonte como reto e nivelado para operação. Caso deseje utilizar o indicador de horizonte para ajudar a manter um “ângulo holandês” consistente ou uma inclinação consistente para um plano alto ou baixo, você pode calibrar o indicador de horizonte com uma inclinação. Para mais informações sobre como calibrar o indicador de horizonte, consulte a seção ‘Calibração do Sensor de Movimento’.

Retícula

Esta configuração posiciona uma retícula no centro do quadro. Como a regra dos terços, a retícula é uma ferramenta composicional muito útil que facilita o enquadramento de um sujeito no centro de um quadro. Às vezes, ela é usada ao gravar cenas que serão montadas usando cortes muito rápidos. Manter os olhos dos espectadores focalizados no centro de um quadro facilita o acompanhamento de edições rápidas.

Ponto

A configuração de ponto posiciona um ponto no centro do quadro. Isto funciona exatamente da mesma maneira que a configuração de retícula, porém com uma sobreposição menor e menos intrusiva.

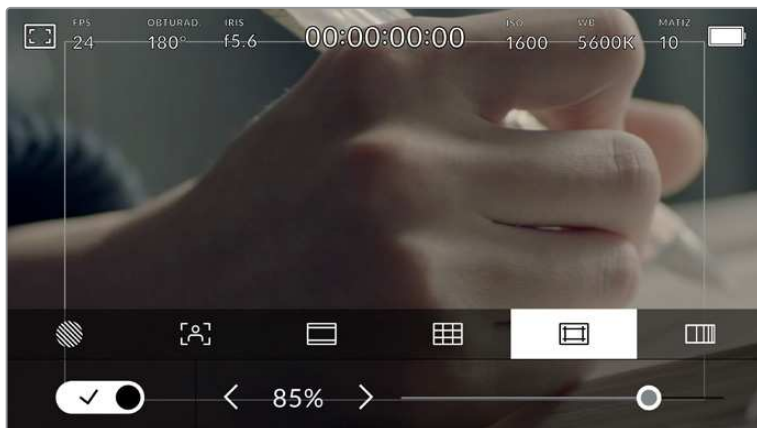
DICA Para mais informações sobre a habilitação de grades na saída HDMI, consulte a seção ‘Configurações do Monitoramento’ neste manual.

Guias de Área Segura

A configuração de guias de área segura habilita ou desabilita as guias de área segura na tela de toque LCD, assim como os parâmetros de tamanho das guias de área segura para a saída HDMI.

As áreas seguras podem ser usadas em produções broadcast para assegurar que as partes mais importantes de um plano possam ser visualizadas pelos espectadores. Ao manter as partes mais importantes do seu plano dentro de uma “área segura” central, é possível evitar recortes em alguns televisores, bem como deixar espaço para um teledifusor adicionar marcas d’água, barras de notícias de última hora e outras sobreposições nos cantos da tela. Muitos teledifusores exigem que as imagens sejam enviadas com conteúdos importantes, como títulos e gráficos, dentro de uma área segura de 90%.

As guias de área segura também podem ser utilizadas para auxiliar no enquadramento do seu plano, quando se sabe que ele será estabilizado na pós-produção, o que pode recortar os cantos da imagem. Elas também podem ser usadas para indicar um recorte específico. Por exemplo, ao configurá-la em 50% durante gravações em Ultra HD 3840x2160, é possível visualizar qual será o aspecto do corte do quadro em 1920x1080. As guias de área segura também se redimensionam de acordo com as suas guias de enquadramento, assim elas se ajustam para indicar a porcentagem do quadro planejado.



Indicador de área segura definido em 85%.

Para alternar a exibição das guias de área segura para a tela de toque LCD, toque no ícone de habilitação no canto inferior esquerdo da tela na aba das guias de área segura. Para configurar o nível das guias para a saída HDMI da câmera, toque na seta esquerda ou direita em cada lateral do valor numérico atual na parte inferior da sua tela de toque. Como alternativa, você pode arrastar o deslizador para esquerda ou direita.

Cor Falsa

A configuração de cor falsa alterna ao modo de exibição para auxiliar na exposição com cores falsas na tela de toque LCD.

O recurso cor falsa sobrepõe cores diferentes na sua imagem. Elas representam os valores de exposição para elementos diferentes na sua imagem. Por exemplo, cor-de-rosa representa a exposição ideal para tons de pele caucasiana, enquanto o verde é recomendado para tons de pele mais escuros. Ao monitorar cor-de-rosa e verde com as cores falsas durante gravações de pessoas, você pode manter uma exposição consistente para os seus tons de pele.

Do mesmo modo, quando elementos na sua imagem mudarem de amarelo para vermelho, isso significa que estarão superexpostos.

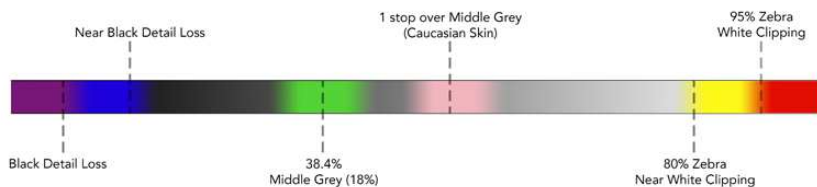


Tabela de cores falsas.

Para alternar para o modo de cor falsa na tela de toque LCD, toque no ícone de habilitação no canto inferior esquerdo da tela na aba de cores falsas.



Aba de assistência de exposição com cores falsas.

Quadros por Segundo

O indicador “FPS” exibe a taxa de quadros por segundo selecionada no momento.



Toque no indicador “FPS” para acessar as configurações de taxa de quadro.

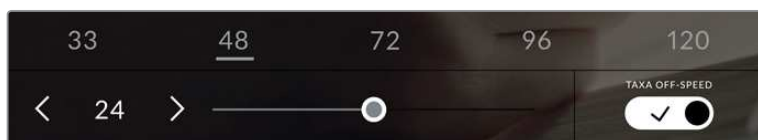
Tocar no indicador “FPS” permite alterar as taxas de quadro do sensor da câmera e do projeto através de um menu na parte inferior da sua tela de toque LCD.

Taxa de Quadro do Projeto

A taxa de quadro do projeto é a taxa de quadro do formato de gravação da câmera e oferece uma seleção de taxas de quadro comuns usadas na indústria cinematográfica e televisiva. Esta taxa de quadro é normalmente definida para corresponder ao fluxo de trabalho da sua pós-produção.

Oito taxas de quadro de projeto estão disponíveis, incluindo 23.98, 24, 25, 29.97, 30, 50, 59.94 e 60 quadros por segundo.

Para ajustar a taxa de quadro do projeto na sua câmera no menu “FPS”, toque nas setas esquerda ou direita próximas da taxa de quadro atual no canto inferior esquerdo da sua tela de toque. Como alternativa, você pode arrastar o deslizador para a esquerda ou direita.

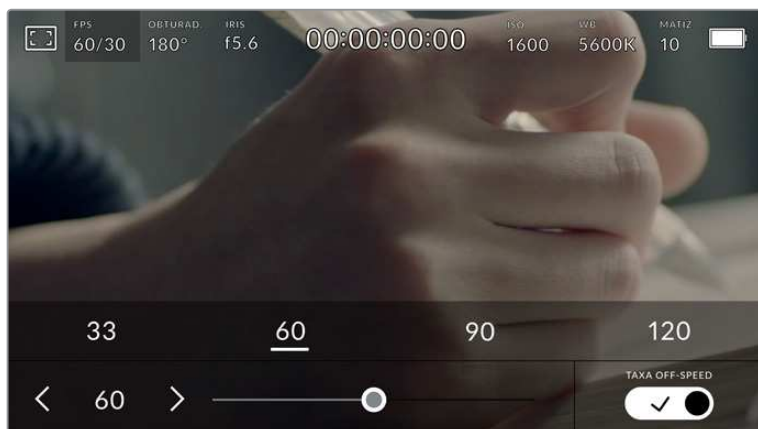


Toque nas setas em cada lateral da taxa de quadro do projeto ou mova o deslizador para fazer ajustes.

DICA A taxa de quadro do projeto da Blackmagic Pocket Cinema Camera também configura a taxa de quadro da saída HDMI.

Taxa de Quadro do Sensor

A taxa de quadro do sensor define quantos quadros serão gravados pelo sensor a cada segundo. Esta taxa de quadro afetará o quão rápida ou lenta será a reprodução do seu vídeo de acordo com a taxa de quadro definida para o projeto.



Com o recurso “Taxa Off-Speed” habilitado, toque nas setas em qualquer uma das laterais da taxa de quadro do sensor ou mova o deslizador para fazer ajustes.

Por padrão, as taxas de quadro do projeto e do sensor serão ajustadas para corresponderem a uma velocidade de reprodução natural. Mas, ao tocar no ícone de habilitação “Taxa Off-Speed” no canto inferior direito do menu “FPS” da sua câmera, você pode configurar a taxa de quadro do sensor independentemente.

Para alterar a taxa de quadro do seu sensor, toque nas setas próximas do indicador da taxa de quadro do sensor no canto inferior esquerdo da sua tela de toque. Você também pode arrastar o deslizador para a esquerda ou direita para aumentar ou diminuir a taxa de quadro. Depois que soltar o deslizador, a taxa de quadro do sensor estará selecionada. Acima do deslizador, você pode tocar em uma taxa de quadro off-speed comum. Elas são baseadas na sua taxa de quadro atual do projeto.

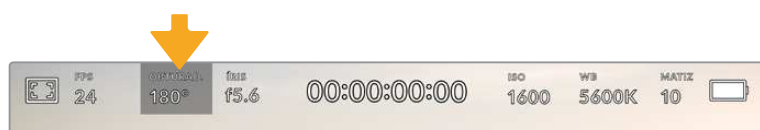
Você pode criar efeitos de velocidade dinâmicos e interessantes nos seus clipes variando a taxa de quadro do sensor. Definir uma taxa de quadro do sensor mais elevada que a taxa de quadro do projeto resultará na reprodução de câmera lenta. Por exemplo, ao gravar com a taxa de quadro do sensor a 60 fps e ao reproduzir com a taxa de quadro do projeto a 24 fps, cria-se um efeito de câmera lenta, com a velocidade real da ação a 40%. Alternativamente, quanto mais baixa a taxa de quadro do sensor, mais rápidos os seus clipes serão reproduzidos. O princípio é parecido com o “overcranking” e o “undercranking” das câmeras de cinema. As velocidades “overcranking” aceleram a taxa de quadro do sensor, assim você pode esticar momentos no tempo durante a reprodução para intensificar emoções. Já “undercranking” desacelera a taxa de quadro do sensor, assim você pode aumentar a velocidade da ação em cenas de movimentação rápida. As possibilidades criativas são infinitas e ficam inteiramente a seu critério.

Para informações sobre as taxas de quadro máximas disponíveis para cada codec e formato de gravação, consulte a tabela na seção ‘Gravação’ neste manual.

OBSERVAÇÃO Quando “Taxa Off-Speed” está selecionado, o áudio e o vídeo deixam de ser sincronizados. Isso acontece mesmo se você tiver definido a mesma taxa de quadro para o sensor e para o projeto. Por esse motivo, evite selecionar “Taxa Off-Speed” caso queira preservar a sincronização de áudio.

Obturador

O indicador “Obturad.” exibe o ângulo ou velocidade do obturador. Ao tocar neste indicador, é possível alterar os valores do obturador da sua câmera manualmente ou configurar modos de exposição automáticos preferenciais. A configuração da medida do obturador pode ser usada para selecionar a exibição ou não das informações do obturador, como “Ângulo” ou “Velocidade”. Consulte a seção ‘Ajustar Configurações’ neste manual para mais informações.



Toque no indicador do obturador para acessar as suas configurações.

O ângulo do obturador ou a velocidade do obturador define o nível do desfoque de movimento no seu vídeo e pode ser usado para compensar condições de iluminação variáveis. 180 graus é o ângulo do obturador ideal para a captação de desfoque de movimento satisfatório na maioria das condições, equivalente a uma velocidade do obturador de 1/50 de segundo. Contudo, conforme as condições de iluminação se alteram, ou a quantidade de movimento na sua cena aumenta, é provável que você queira fazer ajustes.

Por exemplo, 360 graus é considerado “bem aberto” e permite que o máximo de luz chegue ao sensor. Isto é útil em condições de pouca luz com movimentos sutis na sua cena. Como alternativa, caso grave sujeitos com muito movimento, um ângulo do obturador mais raso, como 90 graus, oferecerá desfoque de movimento mínimo para imagens mais nítidas e cristalinas. A velocidade do obturador equivalente comparada ao ângulo do obturador dependerá da taxa de quadro que você estiver utilizando.

Por exemplo, caso esteja filmando a 25 quadros por segundo, 360 graus equivalem a 1/25 de segundo, 360 graus equivalem a 1/25 de segundo e 90 graus equivalem a 1/100 de segundo.

OBSERVAÇÃO Ao filmar sob luzes, seu obturador pode tornar cintilações visíveis. A sua Blackmagic Pocket Cinema Camera calculará os valores do obturador sem cintilação automaticamente conforme sua taxa de quadro atual. Até três opções do obturador sem cintilação serão sugeridas na parte inferior do monitor da tela de toque ao ajustar o seu obturador. Estas medidas do obturador serão afetadas pela frequência da rede elétrica da sua região. É possível definir a sua frequência local para 50 Hz ou 60 Hz no menu de configurações da câmera. Para mais informações, consulte a seção 'Ajustar Configurações' neste manual.

Tocar no indicador "Obturd." exibe as medidas do obturador sugeridas ao longo da parte inferior da tela de toque. Caso tenha desabilitado a exposição automática, esta tela exibirá a sua seleção de valor do obturador atual, assim como valores do obturador sem cintilação disponíveis, com base na frequência de voltagem de alimentação principal selecionada no menu de configurações da sua câmera. Para mais informações, consulte a seção 'Ajustar Configurações' neste manual.

OBSERVAÇÃO As características de fontes de iluminação individuais ainda poderão causar cintilação mesmo ao usar medidas livres de cintilação. Recomendamos sempre fazer testes de filmagem quando não estiver usando luzes contínuas.

Para selecionar um dos valores do obturador sem cintilação, basta tocar em um dos valores exibidos. As setas em cada lado do indicador do valor atual do obturador permitem acessar os valores mais comumente usados.



A sua câmera recomendará valores do obturador sem cintilação com base na frequência de voltagem da alimentação selecionada no menu.

Caso esteja gravando externas, ou utilizando luzes sem cintilação, você pode selecionar o valor do obturador manualmente ao tocar duas vezes no indicador do obturador no canto inferior esquerdo da sua tela. Ao selecionar o ângulo do obturador, um teclado será ativado, no qual você pode definir qualquer ângulo do obturador entre 5 e 360 graus.



Use o teclado numérico para inserir o ângulo do obturador de sua preferência ao gravar ao ar livre ou sob luzes sem cintilação.

A sua Blackmagic Pocket Cinema Camera possui três modos de exposição automática baseados no obturador. Para selecionar um deles, toque no botão “Autoexposição” na extremidade direita do menu “Obturador”.

Obturador

Esta configuração ajusta o valor do obturador automaticamente para manter uma exposição constante ao mesmo tempo em que a abertura da íris permanece consistente. Caso queira manter uma profundidade de campo fixa, esta é a configuração ideal. É importante lembrar que os ajustes automáticos sutis do obturador podem afetar o desfoque de movimento. Também é importante estar atento a qualquer cintilação que possa ser introduzida por luminárias diversas em filmagens internas. O recurso de íris automática não está disponível quando o modo de exposição automática do obturador é selecionado.

Obturador+Íris

Mantém os níveis de exposição corretos ao ajustar o obturador, e depois a abertura. Caso a abertura máxima ou mínima for atingida e a exposição ainda não possa ser mantida, a sua câmera começará a ajustar a medida do obturador para manter a exposição consistente.

Íris+Obturador

Mantém os níveis de exposição corretos ao ajustar a abertura, e depois o valor do obturador. Caso a abertura máxima ou mínima for atingida e a exposição ainda não possa ser mantida, a sua câmera começará a ajustar a medida do obturador para manter a exposição consistente.

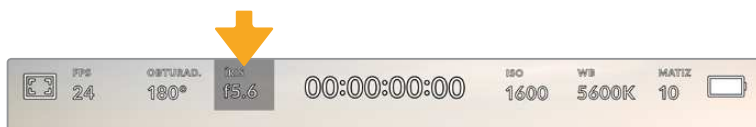


No menu “Obturador”, toque em “Autoexposição” para acessar modos de exposição automáticos baseados no obturador.

DICA Quando um modo de exposição automática que afeta o obturador ou a íris é habilitado, um pequeno “A” será exibido próximo ao indicador do obturador ou da íris na parte superior da tela de toque.

Íris

O indicador “Íris” exibe a abertura atual da sua lente. Ao tocar neste indicador, você pode alterar a abertura de lentes compatíveis e configurar a íris com base nos modos de exposição automática.



Toque no indicador de íris para acessar as configurações da íris.

OBSERVAÇÃO Para ajustar sua íris a partir da tela de toque LCD, a Blackmagic Pocket Cinema Camera deve estar fixada a uma lente com suporte para a alteração de abertura através da câmera.

Tochar no indicador “Íris” ativa o menu de íris ao longo da parte inferior da tela de toque. Você visualizará sua abertura de lente atual na extremidade esquerda deste menu. Você pode alterar a abertura ao tocar nas setas esquerda e direita em qualquer lateral da abertura atual ou mover o deslizador para a esquerda ou direita.



No menu “Íris”, toque nas setas em qualquer lateral do indicador da íris ou use o deslizador para ajustar as suas configurações.

Tocar no ícone de habilitação “Autoexposição” na extremidade direita do menu “Íris” iniciará o menu de exposição automática da íris.

Ele fornece as opções de exposição automática a seguir:

Íris

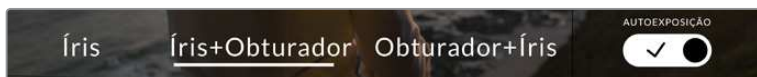
Esta configuração ajusta a abertura automaticamente para manter uma exposição constante, ao mesmo tempo em que o ângulo do obturador permanece consistente. Isto não afetará o desfoque de movimento, mas poderá afetar sua profundidade de campo.

Íris+Obturador

Mantém os níveis de exposição corretos ao ajustar a abertura, e depois o valor do obturador. Caso a abertura máxima ou mínima seja atingida e a exposição ainda não possa ser mantida, a sua câmera começará a ajustar a medida do obturador para manter a exposição consistente.

Obturador+Íris

Mantém os níveis de exposição corretos ao ajustar o obturador, e depois a abertura. Caso a abertura máxima ou mínima for atingida e a exposição ainda não possa ser mantida, a sua câmera começará a ajustar a medida do obturador para manter a exposição consistente.



No menu “Íris”, toque em “Autoexposição” para acessar os modos de exposição automática baseados na íris.

DICA Quando um modo de exposição automática que afeta a íris ou o obturador é ativado, um pequeno “A” aparecerá ao lado do indicador da íris ou do obturador na parte superior da tela de toque.

Display de Duração

No topo da tela de toque LCD da sua câmera, você encontrará o display de duração.



O display de duração da sua câmera fica vermelho durante as gravações.

O display de duração fornece um contador de código de tempo para a verificação da duração dos seus clipes e o monitoramento do código de tempo durante a gravação e reprodução. O contador exibe uma sequência de tempo demonstrando Horas:Minutos:Segundos:Quadros que avançará à medida que você grava ou reproduz clipes. O código de tempo ficará vermelho durante as gravações.

A duração exibida começa a partir de 00:00:00. A duração do clipe atual ou do último clipe gravado é exibida na tela de toque. O código de tempo de hora do dia é integrado aos clipes para uma pós-produção mais fácil.

Para visualizar o código de tempo, basta tocar no display de duração. Toque no display de duração novamente para retornar à duração do clipe.

Indicadores de status adicionais poderão aparecer juntos do display de duração:



Aparece à esquerda do display de duração quando sua Blackmagic Pocket Cinema Camera estiver operando em um modo de sensor janelado.



Aparece à direita do display de duração quando o código de tempo é exibido.



Aparece à direita do display de duração se um código de tempo LTC externo for conectado à entrada estéreo de 3,5 mm e válido.



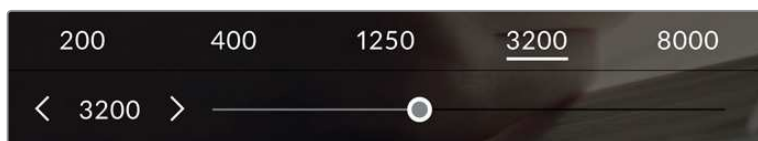
Aparece à direita do display de duração se a câmera estiver operando com um código de tempo interno após ser sincronizada no modo jam-sync e desconectada.

ISO

O indicador “ISO” exibe a configuração ISO atual, ou a sensibilidade do sensor à luz. Tocando neste indicador permite ajustar seu ISO para se adequar a condições de iluminação diferentes.



Toque no indicador ISO para acessar as configurações ISO.



No menu “ISO”, as configurações ISO da sua câmera são exibidas ao longo da parte inferior da tela de toque LCD. O deslizador abaixo das predefinições permite que você ajuste o ISO em incrementos de 1/3 de stop.

Dependendo da sua situação, você pode optar por uma configuração da sensibilidade ISO mais baixa ou mais alta. Por exemplo, em condições de pouca iluminação, o ISO 25.600 pode ser adequado, mas poderá gerar ruídos visíveis. Em condições de muita luminosidade, o ISO 100 pode oferecer cores mais ricas.

ISO Nativo Duplo

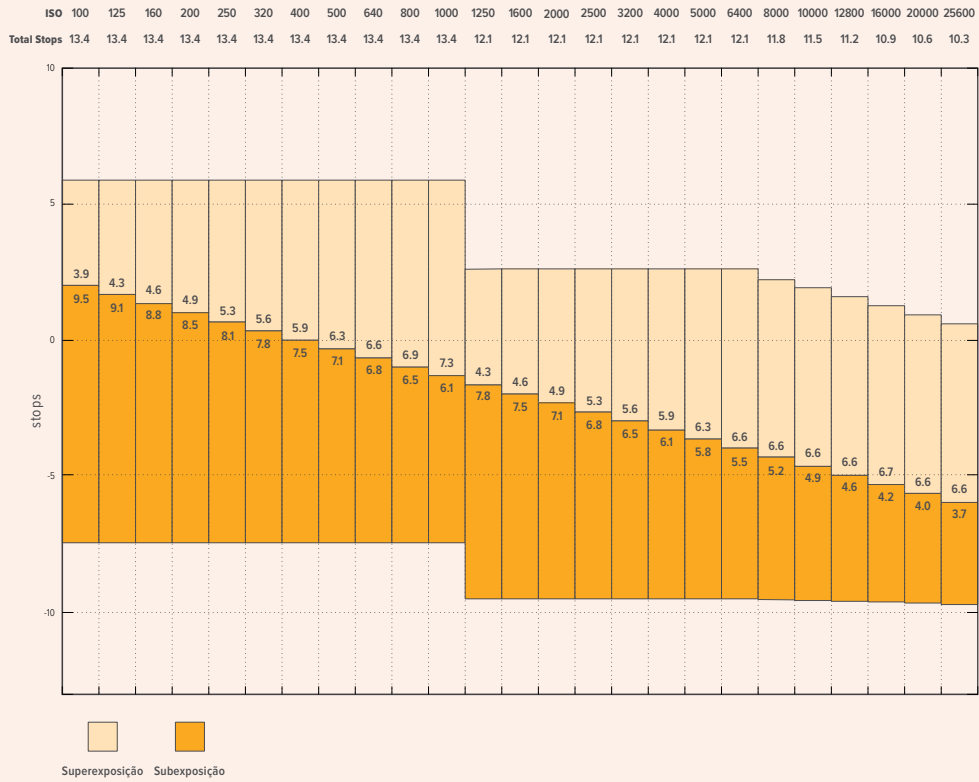
A sua Blackmagic Pocket Cinema Camera possui ISO duplo nativo de 400 e 3200, ou seja, o sensor é otimizado para gravações tanto em condições de baixa iluminação, quanto sob sol a pino.

Você pode ajustar o ISO para condições de iluminação variadas, e este recurso operará em segundo plano, garantindo que a sua imagem esteja limpa e tenha o mínimo de ruído em configurações ISO com sensibilidade mais baixa ou alta.

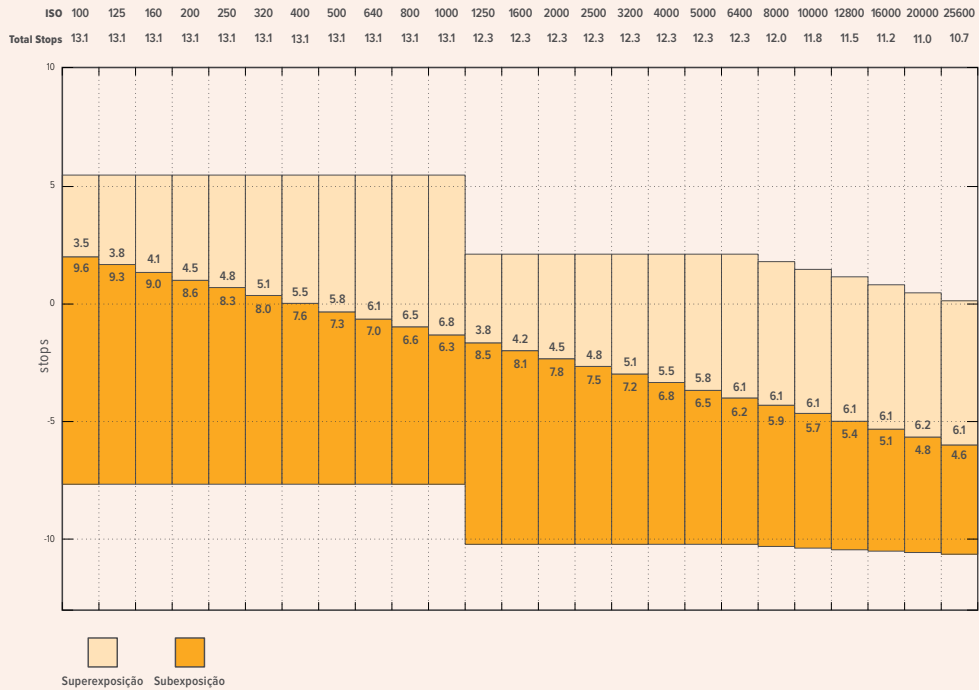
Quando a configuração do ISO estiver entre 100 e 1000, o ISO nativo 400 será usado como ponto de referência. O intervalo ISO entre 1250 e 25.600 utiliza o ISO nativo 3200 como referência. Se você estiver filmando em condições onde seja possível optar entre ISO 1000 ou 1250, sugerimos que feche um stop na íris da sua lente para que possa selecionar ISO 1250, pois ela usará o ISO nativo mais elevado e fornecerá resultados muito mais limpos.

Esta tabela exibe as relações entre a seleção do ISO e a alocação da faixa dinâmica.

Faixa Dinâmica Blackmagic Pocket Cinema Camera 6K

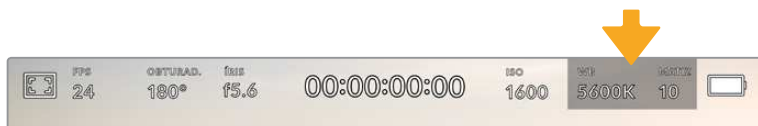


Faixa Dinâmica Blackmagic Pocket Cinema Camera 4K



Balanço de Branco

Os indicadores “WB” e “Matiz” exibem o balanço de branco atual e a tonalidade da sua câmera. Tocar nestes indicadores permite ajustar o balanço de branco e a tonalidade para a adaptação em condições de iluminação variantes.



Toque nos indicadores do balanço de branco e da tonalidade para acessar as configurações de tonalidade e balanço de branco.

Cada fonte de luz emite uma cor. Por exemplo, uma chama de vela emite uma cor quente e um céu nublado emite uma cor fria. As configurações de balanço de branco são usadas para calibrar as cores da sua imagem para que o branco continue branco ao ajustar a mistura de laranja e azul na sua imagem. Por exemplo, ao gravar sob lâmpadas de tungstênio, que emitem uma luz quente e laranja, selecionar 3200K acrescentará um pouco de azul à imagem. Isto calibra a cor para que o branco seja gravado com precisão.

A sua Blackmagic Pocket Cinema Camera inclui predefinições de balanço de branco para uma variedade de condições de temperatura de cor. Elas incluem:

	Luz do dia (sol a pino)	(5600K)
	Lâmpadas incandescentes	(3200K)
	Lâmpadas fluorescentes	(4000K)
	Luz mista	(4500K)
	Céu nublado	(6500K)

Você pode personalizar qualquer predefinição ao tocar ou segurar os ícones de seta à esquerda ou à direita do indicador de temperatura no canto inferior esquerdo do menu do balanço de branco. Cada toque ajusta a temperatura de cor em incrementos de 50K, mas ao pressionar e segurar os ícones de seta, você aumentará a velocidade. Como alternativa, você pode mover o deslizador de temperatura no centro do menu do balanço de branco.

Para mais ajustes da imagem, você pode refinar a tonalidade em “Matiz”. Esta ação ajusta a mesclagem de verde e magenta na sua imagem. Por exemplo, ajustar um pouco de magenta pode compensar pelo verde lançado por muitas das luzes fluorescentes. Muitas predefinições do balanço de branco da sua câmera incluem um pouco de tonalidade.



Com um toque no indicador de balanço de branco e de tonalidade, você terá acesso a cinco predefinições, além de um indicador de balanço de branco e um deslizador na esquerda e um indicador de tonalidade na direita. Seu ajuste definirá um balanço de branco personalizado para suas condições de iluminação.

Enquanto estiver no menu do balanço de branco, a configuração atual da tonalidade da sua câmera será exibida no canto inferior direito da tela. Para ajustar a tonalidade, basta tocar ou segurar nas setas à esquerda e à direita do indicador de tonalidade. O intervalo disponível é de incrementos de -50 ou +50. Segurar as setas acelera os ajustes.

OBSERVAÇÃO Personalizar o balanço de branco ou a tonalidade alterará sua predefinição para “CWB”, ou balanço de branco personalizado. Os balanços de branco personalizados são permanentes; as suas configurações CWB permanecerão atribuídas mesmo após o desligar e religar da câmera, e ao alternar entre uma predefinição e retornar para CWB. Isto facilita a comparação do balanço de branco personalizado com a última predefinição utilizada.

Balanço de Branco Automático

A sua Blackmagic Pocket Cinema Camera pode configurar o balanço de branco automaticamente. Tocar no botão “AWB” ativará a tela do balanço de branco.

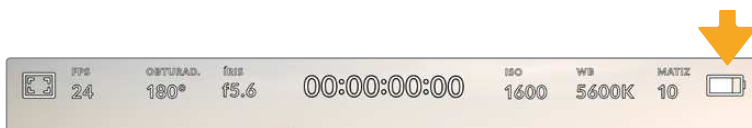
Ao configurar o balanço de branco automaticamente, um quadrado será sobreposto no centro da sua imagem. Preencha este quadrado com uma superfície neutra, como um cartão branco ou cinza e pressione “Atualizar WB”. A sua câmera 4K ajustará os valores do balanço de branco e da tonalidade automaticamente para assegurar que a média de brancos ou cinza dentro do quadrado do balanço de branco seja a mais neutra possível. Após a atualização, este será o balanço de branco personalizado para a sua câmera. Ao pressionar e segurar por três segundos o botão “WB” na parte superior da sua câmera, você também seleciona o balanço de branco automático e ativa a função “Atualizar WB”.



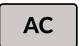


Tocar no ícone “AWB” no menu do balanço de branco ativará a tela para o balanço de branco automático. Utilize esta função com uma superfície branca ou cinza neutra para configurar um balanço de branco neutro automaticamente.

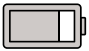
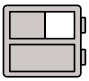
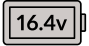
Alimentação

O status de alimentação e a fonte de alimentação da câmera são exibidos no canto superior direito da tela LCD.



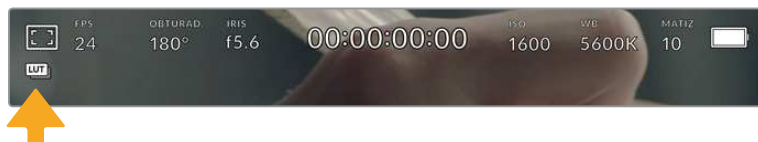
Quando estiver usando alimentação por bateria, toque no indicador de alimentação para alternar os modos de exibição.

	AC	Exibido quando a sua câmera está conectada a uma tomada.
	AC/ Carregando	Aparece quando sua câmera estiver conectada a uma tomada e estiver carregando a bateria LP-E6 ou as baterias NP-F570 se você estiver usando o Blackmagic Pocket Camera Battery Grip.
	Porcentagem	Se a sua bateria for compatível com a exibição em porcentagem, o ícone de bateria exibe a carga restante como uma porcentagem e ela diminui em incrementos de 1%. Com 20% de carga restante, a barra de bateria ficará vermelha. Para habilitar ou desabilitar a exibição da porcentagem, toque no ícone de bateria.

	Barras de bateria	A bateria incluída na sua câmera exibe um ícone de bateria que diminui em incrementos de 25%. Com 20% de carga restante, a barra de bateria ficará vermelha.
	Barras do punho de bateria	Caso tenha um Blackmagic Pocket Camera Battery Grip encaixado à sua câmera, estas barras de bateria permitem monitorar o estado de ambas as baterias independentemente.
	Voltagem da fonte de energia	Exibe a voltagem fornecida pela bateria ou pela conexão de alimentação de uma fonte de alimentação, um cabo adaptador D-tap ou uma solução de alimentação personalizada. Para habilitar ou desabilitar a exibição da voltagem, toque no ícone de bateria.

Indicador LUT

Ao usar LUTs como ferramenta de pré-visualização no set, um ícone de LUT será exibido no canto superior esquerdo da tela para indicar que a LUT está ativa.



Histograma

No canto inferior esquerdo da tela de toque da sua câmera, você encontrará o histograma. O histograma exibe o contraste entre pretos e brancos ao longo de uma escala horizontal.



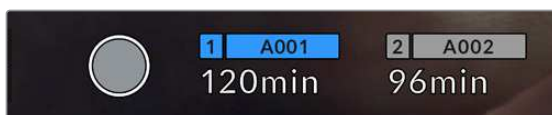
O histograma fornece uma indicação da amplitude tonal entre as sombras e os realces no seu clipe. Ele também é uma ferramenta útil para verificar o balanço da sua exposição e para evitar o recorte dos seus realces.

O canto esquerdo do histograma exibe as sombras, ou pretos, e a extremidade direita exibe os realces, ou brancos. Quando você fechar ou abrir a abertura da lente, você notará que a informação no histograma se desloca para a direita ou esquerda de forma correspondente. Isto é útil para verificar recortes nas sombras ou realces da sua imagem. Se os picos à esquerda ou direita das suas extremidades no histograma forem interrompidos bruscamente em vez de caírem gradualmente, é possível que você esteja perdendo os detalhes de sombras e realces.

OBSERVAÇÃO Caso não veja um histograma no canto inferior esquerdo da sua tela de toque, suas configurações para o monitor LCD podem estar definidas para exibir o codec e a resolução. Consulte a seção 'Configurações de Monitoramento' deste manual para mais informações.

Botão de Gravação

Ao lado do histograma na parte inferior da tela de toque da sua Pocket Cinema Camera, você encontrará um botão redondo cinza. Este é o botão de gravação. Toque nele uma vez para começar a gravar e novamente para cessar. Ao gravar, o botão, o indicador de armazenamento e o código de tempo na parte superior na tela de toque da sua Pocket Cinema Camera ficam vermelhos.



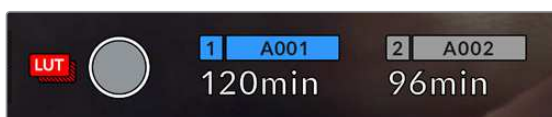
Botão de gravação localizado junto dos indicadores de armazenamento na parte inferior da tela de toque LCD.



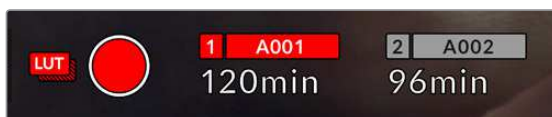
O botão de gravação fica vermelho ao gravar.

LUT Aplicada ao Clipe

Caso tenha escolhido aplicar uma LUT nos seus clipes gravados na aba de configurações “Gravar”, a tela de toque faz a indicação no modo de espera e durante a gravação.



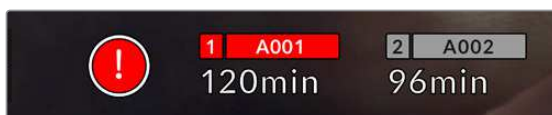
O ícone LUT sinaliza quando os clipes gravados terão as LUTs selecionadas gravadas com o clipe.



O ícone LUT será exibido quando a LUT selecionada estiver sendo gravada com o clipe.

Indicador de Quadros Descartados

O botão de gravação será sobreposto com um ponto de exclamação piscando, caso sua câmera comece a descartar quadros durante a gravação. O indicador de tempo restante para o cartão afetado também ficará vermelho. Por exemplo, se seu cartão CFast estiver descartando quadros, o ponto de exclamação aparecerá por cima do botão de gravação e o indicador de tempo restante do cartão CFast ficará vermelho. Isto permite saber se um determinado cartão é lento demais para o codec e resolução selecionados. O indicador de quadro descartado também alertará, caso quadros tenham sido descartados no clipe gravado anteriormente. O indicador continuará a ser exibido até que outro clipe seja gravado ou até que a câmera seja ligada e desligada. Consulte as seções ‘Escolher um Cartão CFast 2.0’ e ‘Escolher um Cartão SD’ neste manual para mais informações sobre como evitar quadros descartados.

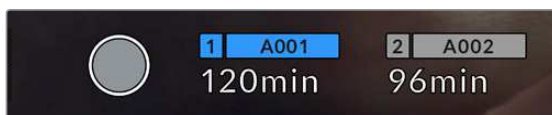


Indicador de quadro descartado para o cartão CFast descartando quadros.

OBSERVAÇÃO Para evitar a gravação de imagens inutilizáveis, você pode configurar a sua Blackmagic Pocket Cinema Camera para interromper a gravação caso quadros descartados sejam detectados. Consulte a seção ‘Configurações de Gravação’ neste manual para mais informações.

Tempo de Gravação Restante

Quando um cartão CFast ou SD for inserido, ou uma unidade flash USB-C for anexada à sua câmera, os indicadores de armazenamento na parte inferior da tela de toque mostrarão quanto tempo de gravação resta no cartão ou na unidade flash USB-C. O tempo é exibido em minutos e varia de acordo com a taxa de quadro e o codec selecionado. Caso uma dessas configurações seja alterada, o indicador será recalculado automaticamente. Quando restarem aproximadamente 5 minutos no seu cartão ou na sua unidade, o texto do indicador ficará vermelho e piscará quando restarem apenas 2 minutos. O indicador exibe “Cheio” quando um cartão ou uma unidade atinge sua capacidade máxima.



O indicador de armazenamento exibe o nome do seu cartão SD, CFast ou unidade flash USB-C e o tempo de gravação restante em minutos.

O nome do cartão ou da unidade também será exibido em uma pequena barra acima do tempo restante. A barra fica azul para indicar que a câmera está configurada para gravar neste cartão ou nesta unidade flash USB-C. Para gravar em um cartão ou em uma unidade diferente, pressione o nome do cartão ou da unidade flash USB-C em que você deseja gravar. Ao gravar, a barra ficará vermelha.

Tocar nos indicadores de armazenamento exibirá o menu de armazenamento e formatação.



Toque nos indicadores de armazenamento no LCD da tela de toque para acessar o gerenciador de armazenamento.

O menu exibe a quantidade de espaço livre em cada cartão SD, CFast ou unidade flash USB-C atualmente inserida na sua câmera, assim como o nome do cartão ou da unidade, a duração de cada clipe, o número total de cliques e o formato de arquivo para cada cartão ou unidade.

Você pode formatar suas mídias a partir deste menu. Para mais informações, consulte a seção ‘Preparar Mídias para Gravação’ neste manual.

DICA Toque no nome do cartão ou da unidade no menu de armazenamento irá defini-lo como o cartão ou drive ativo. A sua Blackmagic Pocket Cinema Camera preencherá esse cartão ou essa unidade primeiro.

Medidores de Áudio

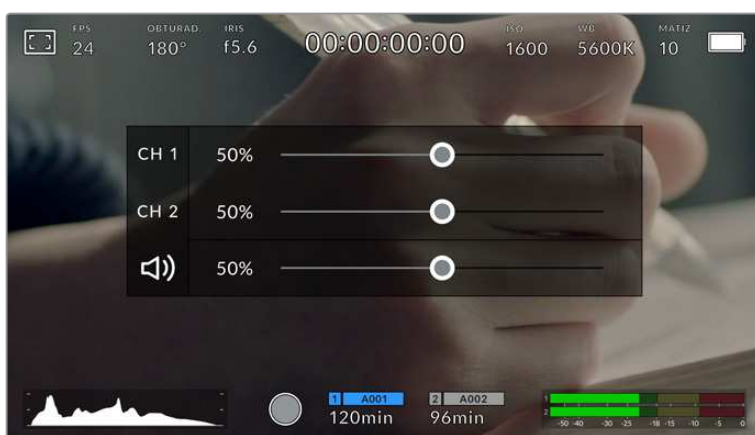
Os medidores do pico de áudio exibem os níveis de áudio para os canais 1 e 2 quando o microfone interno é usado ou para o áudio externo quando for conectado. A exibição é calibrada em unidades dBFS e inclui medidores de retenção de pico que permanecem visíveis por uma curta duração para que você possa visualizar nitidamente os níveis máximos alcançados.

Para obter áudio de qualidade máxima, certifique-se de que os seus níveis de áudio não alcancem 0 dBFS. Este é o nível máximo que sua câmera pode gravar, o que significa que qualquer áudio acima deste nível será saturado, resultando em distorções.



As barras coloridas do medidor de áudio representam os níveis do pico de áudio. Na medida do possível, seus níveis de pico de áudio devem permanecer na parte superior da zona verde. Se os seus picos entrarem nas zonas amarelas ou vermelhas, o seu áudio correrá o risco de ficar saturado.

Você pode tocar no medidor de áudio para ativar os controles de volume para os canais de entrada de áudio 1 e 2, assim como o volume do fone de ouvido ou alto-falante.



Toque nos medidores de áudio na tela de toque LCD para acessar o volume e as configurações de fone de ouvido ou alto-falante com facilidade.

Toque Duplo para Ampliar

É possível aumentar qualquer parte da pré-visualização de imagem da sua Blackmagic Pocket Cinema Camera com um toque duplo na tela de toque LCD. A área que você tocar será ampliada e é possível deslocar-se pela imagem ao arrastar o seu dedo pela tela de toque LCD. Isto é muito útil para verificar o foco. Para retornar à magnificação padrão, basta tocar duas vezes na tela de toque da sua câmera novamente.

Pinçar para Zoom

Você pode ajustar o nível de zoom na tela de toque LCD com um gesto multitoque de pinçar para zoom. Isto não afeta a saída HDMI.

Para começar a usar o zoom a 2x, toque na tela de toque ou pressione o botão “Zoom de Foco” na traseira da sua câmera. Em seguida, faça um gesto de pinça para alterar o nível do zoom. Você pode arrastar seus dedos pela tela de toque para deslocar a área ampliada. Para retornar à magnificação padrão, toque duas vezes na tela de toque novamente ou pressione o botão “Zoom de Foco”.

Quando você toca duas vezes na tela de toque ou pressiona o botão “Zoom de Foco”, o nível do zoom alterna entre o seu nível de magnificação anterior e a visualização completa. Por exemplo, se você pinçar para zoom de magnificação 8x, dois toques diminuem o zoom, e outros dois toques retornam à 8x.

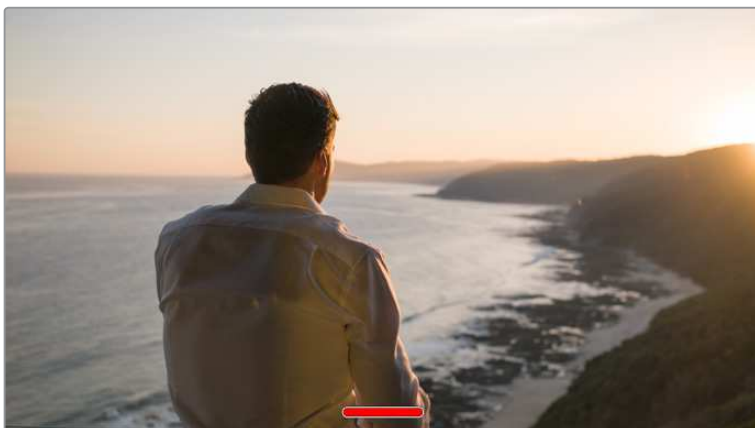
Toque para Focar

Você pode focar suas lentes em qualquer região da imagem ao tocar e segurar na área que deseja focar na tela LCD. Pressione o botão de foco para focar suas lentes no local desejado. Pressione duas vezes o botão de foco para redefini-lo para o centro da tela.

Modo Tela Cheia

Pode ser útil ocultar o texto de status e os medidores da sua tela de toque temporariamente ao enquadrar ou focalizar um plano. Para ocultar tudo de uma vez, deslize para cima ou para baixo na tela de toque LCD. O indicador de gravação, guias de enquadramento, grades, assistente de foco e zebras permanecerão visíveis.

Para exibir o texto de status e os medidores novamente, deslize para cima ou para baixo mais uma vez.



Deslize para cima ou para baixo para ocultar todos os indicadores de status da tela de toque LCD.

Menu de Reprodução

Toque no botão de controle “Reproduzir” para acessar o menu de reprodução. Você pode controlar cliques gravados anteriormente com os botões de controle ou a tela de toque LCD da sua câmera.

Ao usar a tela de toque LCD, toque em “Reproduzir” uma vez para iniciar a reprodução e toque outra vez para pausar. Pressione os botões de avanço e retrocesso para saltar para o início ou o fim do clipe. Ao tocar no botão de avanço uma vez, você irá para o próximo clipe. Pressione o botão de retrocesso uma vez para ir ao início do clipe atual ou o pressione duas vezes para voltar ao início do clipe anterior. A reprodução dos cliques em loop também pode ser ativada pelo ícone para looping.



Ícones para retroceder, reproduzir, avançar e repetir.

Para reproduzir no modo shuttle, segure os botões de transporte para retroceder ou avançar. Isto reproduzirá sua imagem com o dobro da velocidade normal tanto nos modos de avanço quanto de retrocesso, dependendo da tecla de transporte que você segurar.

Quando reproduzir no modo shuttle, é possível alterar a velocidade de reprodução ao apertar as teclas de transporte novamente. Cada vez que você tocar em uma tecla de transporte da mesma direção a velocidade de reprodução será dobrada. A velocidade máxima da reprodução shuttle é 16 vezes maior que a velocidade normal. Tocar na tecla de transporte outra vez quando estiver reproduzindo na velocidade 16x voltará para a velocidade 2x. Tocar na direção oposta reduzirá a velocidade de reprodução shuttle atual pela metade até que a velocidade 2x seja alcançada. É possível retornar à velocidade de reprodução atual tocando no botão de reprodução.



O indicador de velocidade shuttle exibe a velocidade e a direção do avanço ou retrocesso das imagens.

Tocar no botão de controle de gravação retornará a sua câmera para o modo de espera, pronta para gravar.

DICA Deslize para cima ou para baixo na tela de toque para ocultar os textos de status durante a reprodução das imagens. Insira os dados da claquete no modo de reprodução para marcar o clipe atual como uma “Tomada Boa” nos metadados. Para mais informações, consulte a seção ‘Inserção de Metadados’ neste manual.

Configurações

Painel de Controle

Pressione o botão “Menu” para abrir o painel de controle da sua câmera. Este menu de abas inclui configurações indisponíveis a partir da tela de toque. As configurações estão divididas por função nas abas “Gravar”, “Monitorar”, “Áudio”, “Configurar”, “Predefinir” e “LUTS”. Cada aba tem múltiplas páginas pelas quais você pode navegar tocando nas setas nas extremidades da tela de toque da sua câmera ou deslizando para a esquerda ou direita.



Toque nos cabeçalhos “Gravar”, “Monitorar”, “Áudio”, “Configurar”, “Predefinir” e “LUTS” para transitar entre as abas do painel de controle da sua Pocket Cinema Camera.

Configurações de Gravação

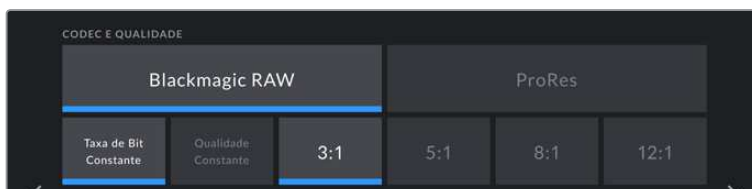
A aba “Gravar” permite que você configure seu formato de vídeo, codec e resolução, assim como outros parâmetros importantes para seu vídeo gravado, como faixa dinâmica e nitidez de detalhes.

Configurações de Gravação 1

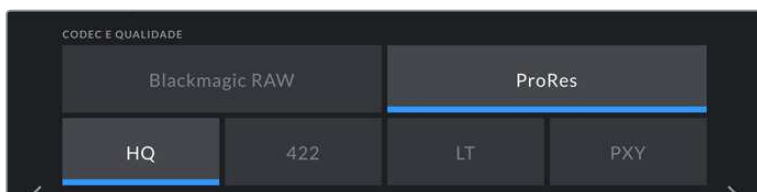
A primeira página da aba de configurações para gravação, “Gravar”, contém os ajustes a seguir.

Codec e Qualidade

O menu “Codec e Qualidade” é dividido em duas partes. A linha de cima possibilita escolher entre duas famílias de codec, Blackmagic RAW e Apple ProRes, enquanto a linha inferior oferece seleções de qualidade dentro destas famílias. Por exemplo, as opções de qualidade disponíveis para a família de codecs ProRes são ProRes 422 HQ, ProRes 422, ProRes 422 LT e ProRes 422 Proxy. Para o Blackmagic RAW, as configurações se dividem em quatro opções de “Taxa de Bit Constante” e duas opções para “Qualidade Constante”.



Opções de “Codec e Quality” para Blackmagic RAW.

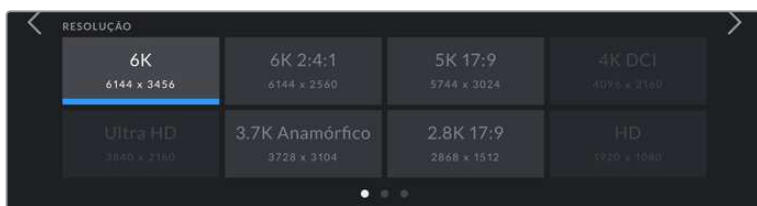


Opções de “Codec e Quality” para ProRes.

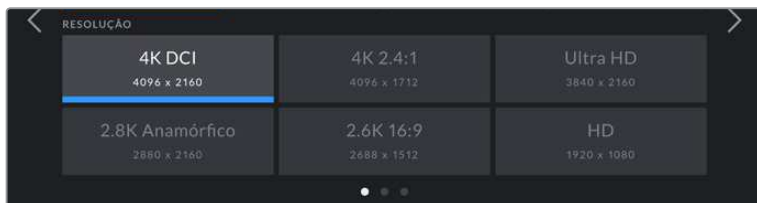
DICA A quantidade de vídeos que você pode gravar nas mídias de armazenamento da sua Blackmagic Pocket Cinema Camera aumenta se você selecionar codecs que utilizam compactação mais alta. Consulte as ‘Tabelas de Duração das Gravações’ na seção ‘Gravação’ para mais informações.

Resolução

Esta configuração funciona em combinação com a configuração de codec. Utilize-a para selecionar a resolução do seu formato de gravação desejado. Por exemplo, caso queira gravar clipes Ultra HD usando ProRes HQ, selecione “ProRes” e “HQ” no menu “Codec e Qualidade”. Depois, selecione “Ultra HD” no menu de resolução.



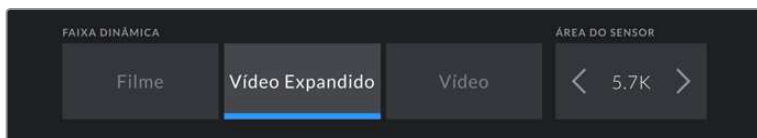
As opções de resolução da Pocket Cinema Camera 6K ao utilizar o codec Blackmagic RAW.



As opções de resolução da Pocket Cinema Camera 4K. Observe que no formato DCI 4K a categoria é “Resolução”, alternativamente será “Resolução - Sensor Janelado”.

Configurações de Gravação 2

A segunda página da aba de configurações para gravação, “Gravar”, contém os ajustes a seguir.



As opções “Faixa Dinâmica” e “Área do Sensor” da Pocket Cinema Camera 6K.



As opções “Faixa Dinâmica” e “Área do Sensor” da Pocket Cinema Camera 4K.

Faixa Dinâmica

Ajuste a configuração de faixa dinâmica ao tocar nos ícones “Faixa Dinâmica”. A Blackmagic Pocket Cinema Camera possui três configurações para a faixa dinâmica:

Filme	A configuração “Filme” grava vídeos usando uma curva logarítmica oferecendo o máximo de faixa dinâmica e maximizando as informações no seu sinal de vídeo para ajudar a tirar máximo proveito das imagens em programas de gradação de cores, como o DaVinci Resolve.
Vídeo Expandido	A configuração “Vídeo Expandido” oferece o equilíbrio ideal entre as configurações da faixa dinâmica nos modos de vídeo e filme. Esta configuração inclui um intervalo dinâmico maior que no modo “Vídeo”, ao mesmo tempo em que aplica uma leve mudança no contraste com uma redução suave dos realces. O modo “Vídeo Expandido” é adequado para uso com monitores broadcast padrão e é uma configuração útil caso tenha tempo limitado na pós-produção e deseje gravar seus clipes com um visual apazível aplicado.
Vídeo	A configuração “Vídeo” é parecida com o padrão de cores REC 709 para vídeos de alta definição. Isto permite que você trabalhe mais rápido ao gravar formatos de vídeo compactados em um espaço de cor apropriado para entrega direta ou processamento mínimo na pós-produção.

OBSERVAÇÃO Ao gravar Blackmagic RAW e ProRes com a faixa dinâmica no modo filme, a imagem aparecerá sem brilho e dessaturada na sua tela de toque. Isto ocorre porque o arquivo de imagem contém muitos dados que ainda não foram gradados para compatibilidade com um monitor padrão. No entanto, ao gravar com a faixa dinâmica no modo filme, é possível monitorar o vídeo na tela de toque e na saída HDMI usando uma LUT de exibição criada para simular um contraste padrão. Para mais informações, consulte a seção LUTS neste manual.

Área do Sensor

A Blackmagic Pocket Cinema Camera pode ser configurada para usar a área “completa” do sensor, ou para taxas de quadro ainda mais altas, é possível utilizar a área do sensor para selecionar a área do sensor no modo “janelado”. Isto utiliza apenas a quantidade de pixels do sensor necessária para um formato de vídeo determinado em vez de redimensionar o tamanho das imagens do sensor inteiro. Alguns formatos combinam o janelamento com o dimensionamento, por exemplo, a Pocket Cinema Camera 6K possui formatos HD dimensionados do sensor completo, redimensionados de uma janela 5.7K e de uma janela 2.7K.

Como o modo “Janela do Sensor” usa apenas o centro do sensor da câmera, o campo de visão de qualquer lente aparecerá mais raso devido ao recorte associado. Por exemplo, ao usar uma lente 20 mm para gravar imagens HD no modo de sensor janelado, o campo de visão é equivalente ao de uma lente 40 mm na Blackmagic Pocket Cinema Camera 4K.

Esta configuração está disponível ao filmar abaixo da resolução máxima da sua câmera, como quando estiver gravando vídeos ProRes em Ultra HD ou HD.

As taxas de quadro mais rápidas para a Pocket Cinema Camera 6K estão disponíveis ao gravar 2.8K 17:9 janelado e para HD dimensionado de 2.7K janelado. As taxas de quadro mais rápidas para a Pocket Cinema Camera 4K estão disponíveis no modo 2.6K 16:9 e no modo HD janelado.

Para mais informações sobre formatos completos e janelados, consulte a seção ‘Taxas de Quadro Máximas do Sensor’.

Taxa de Quadro do Projeto

A taxa de quadro do projeto oferece uma seleção de taxas de quadro comuns usadas na indústria cinematográfica e televisiva. Por exemplo, 23.98 quadros por segundo. Esta taxa de quadro é normalmente definida para corresponder à velocidade de reprodução e sincronização de áudio utilizada no seu fluxo de trabalho de pós-produção e para os requisitos de entrega.

Oito taxas de quadro de projeto estão disponíveis, incluindo 23.98, 24, 25, 29.97, 30, 50, 59.94 e 60 quadros por segundo.

Gravação Off-Speed

Por padrão, as taxas de quadro do projeto e do sensor serão ajustadas para corresponderem a uma velocidade de reprodução natural. Contudo, ao tocar no ícone de habilitação “Gravação Off-Speed”, você poderá definir a taxa de quadro do sensor independentemente.

Taxa Off-Speed

Com a opção “Gravação Off-Speed” habilitada, toque nas setas próximas do indicador “Taxa Off-Speed” para configurar a taxa de quadro do sensor da sua câmera.

A taxa de quadro do sensor define quantos quadros, de fato, serão gravados pelo sensor a cada segundo. A taxa de quadro afetará quão rápido ou lento seu vídeo será reproduzido com a taxa de quadro definida para o projeto.

Para mais informações sobre taxas de quadro off-speed, consulte ‘Quadros por Segundo’ na seção ‘Recursos da Tela de Toque’ neste manual.

OBSERVAÇÃO Para mais informações sobre as taxas de quadro máximas disponíveis para cada formato e codec, consulte ‘Taxas de Quadro Máximas do Sensor’ na seção ‘Gravação’ deste manual.

Cartão de Gravação Preferencial

Utilize esta configuração para selecionar o cartão de armazenamento ou a unidade na qual a sua Blackmagic Pocket Cinema Camera gravará primeiro quando ambos os compartimentos estiverem em uso. As opções são “Cartão CFast”, “Cartão SD” e “Cartão Mais Cheio”. A seleção de “Cartão CFast” ou “Cartão SD” é uma questão de preferência pessoal, mas com o uso consistente de um ou outro, você será informado sobre qual cartão trocar primeiro à medida que o armazenamento se esgota. “Cartão Mais Cheio” pode ajudar a agrupar arquivos cronologicamente em projetos com gravação de câmera única.

A configuração escolhida é aplicada quando um cartão CFast ou SD é inserido. É possível anular esta configuração a qualquer momento acessando o gerenciador de armazenamento e tocando no nome do cartão para ativá-lo. É importante observar, todavia, que ejetar e reinserir cartões reverte a configuração atual do cartão preferido para gravação.

DICA O recurso de preferência de gravação “Cartão Mais Cheio” é baseado na porcentagem com que seus cartões são preenchidos, em vez das suas capacidades ou da quantidade de dados usada.

Parar Se Cartão Descartar Quadro

Utilize este recurso para configurar o comportamento da sua Blackmagic Pocket Cinema Camera quando quadros descartados forem detectados. Quando desabilitado, a gravação continuará com quadros descartados. Quando habilitado, sua câmera interromperá a gravação se quadros descartados forem detectados. Isto evita que você desperdice tempo gravando imagens inutilizáveis, caso não veja o indicador de quadros descartados.

DICA Consulte a seção ‘Mídias de Armazenamento’ para mais informações sobre como evitar quadros descartados.

Configurações de Gravação 3

A terceira página da aba para as configurações de gravação, “Gravar”, contém os ajustes a seguir:



Lapso de Tempo

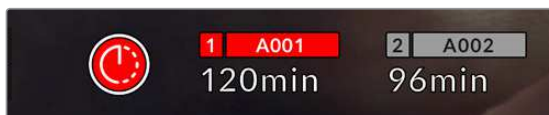
Esta configuração ativa o recurso lapso de tempo, “Lapso de Tempo”, para gravar um quadro estático automaticamente nos intervalos a seguir:

Quadros	2 – 10
Segundos	1 – 10, 20, 30, 40, 50
Minutos	1 – 10

Por exemplo, você pode configurar a câmera para gravar um quadro estático a cada 10 quadros, 5 segundos, 30 segundos, 5 minutos, etc.

O recurso lapso de tempo oferece inúmeras opções criativas. Por exemplo, configurar um intervalo de dois quadros por vez possibilitará criar um efeito de alta velocidade na reprodução do seu vídeo.

Você pode iniciar a gravação pressionando o botão de gravação. Ao pressionar o botão novamente para interromper a gravação, a sequência do lapso de tempo será salva como um único clipe, correspondendo ao codec e à taxa de quadro configurada na sua câmera. Isto significa que você pode soltar a sequência do lapso de tempo na linha de tempo da pós-produção, como qualquer outro clipe gravado.



O modo “Lapso de Tempo” é indicado por um ícone sobre o botão de gravação.

DICA Ao gravar clipes no modo lapso de tempo, o contador do código de tempo se atualizará quando um quadro de vídeo for gravado.

Nitidez de Detalhes

Utilize esta configuração para aumentar a definição da imagem. Quando a nitidez é habilitada, aumente ou diminua o nível de nitidez ao selecionar “Padrão”, “Médio” ou “Alto”.

Quando a nitidez é habilitada, ela é aplicada aos vídeos ProRes gravados na câmera, assim como à saída HDMI.

Esta configuração é destinada a produções de estúdio ao vivo, quando você quiser enviar as imagens direto ao ar e não há tempo para pós-produção. Recomendamos que a deixe desabilitada para imagens que esteja gravando para pós-produção posterior. Este recurso é desabilitado quando o codec estiver definido como Blackmagic RAW.

Gravar LUT no Clipe

Por padrão, a sua Blackmagic Pocket Cinema Camera não aplica, ou “queima”, LUTs nas imagens gravadas, mas você pode optar por “queimar” a LUT nas suas imagens tocando no ícone de habilitação “Gravar LUT no Clipe”.

Esta pode ser uma opção útil para situações em que você não tem tempo suficiente para fazer a gradação das suas imagens na pós-produção, ou quando você precisa enviar as imagens diretamente para um cliente ou editor. Consulte as seções ‘LUTS 3D’ e ‘Controles da Tela de Toque’ para mais informações.

Aplicar LUT no Arquivo

Caso esteja gravando com o codec Blackmagic RAW e aplicando uma LUT à saída HDMI da sua câmera, a LUT selecionada será integrada ao arquivo Blackmagic RAW que você está gravando. Isto significa que a LUT será salva no cabeçalho do arquivo e pode ser facilmente aplicada ao clipe na pós-produção sem a necessidade de trabalhar com um arquivo separado. Quando a chave “Aplicar LUT no Arquivo” estiver habilitada no menu de gravação, este clipe será lido pelo Blackmagic RAW Player e DaVinci Resolve com a LUT selecionada aplicada a ele. A LUT então pode ser ativada ou desativada, mas sempre será circulada com o arquivo Blackmagic RAW, pois foi gravada no próprio clipe.

O DaVinci Resolve também conta com uma chave “Aplicar LUT” na paleta de configurações RAW para habilitar ou desabilitar a LUT 3D no arquivo Blackmagic RAW. A configuração “Aplicar LUT” no DaVinci Resolve é a mesma configuração encontrada na câmera. Ou seja, ao gravar é possível instruir o colorista a usar a LUT ao defini-la na câmera, mas é possível desabilitá-la com facilidade no DaVinci Resolve ao desativar “Aplicar LUT”.

Convenção de Nomeação de Arquivos

Os clipes são gravados nos seus cartões CFast, SD ou nas unidades flash USB-C no formato Blackmagic RAW ou em um filme ProRes QuickTime, dependendo do formato de gravação escolhido.

A tabela abaixo mostra um exemplo de convenção de nomeação de arquivos:

A001_08151512_C001.mov	Nome do Arquivo do Filme QuickTime
A001_08151512_C001.mov	Numeração de Câmera
A001 _08151512_C001.mov	Número do Rolo
A001_ 08 151512_C001.mov	Mês
A001_08 15 1512_C001.mov	Dia
A001_0815 15 12_C001.mov	Hora
A001_081515 12 _C001.mov	Minuto
A001_08151512_ C001 .mov	Número do Clipe

Arquivos de quadros estáticos captados usando o botão de fotograma seguirão a mesma convenção de nomeação de arquivo para clipes de vídeo, mas o nome do arquivo terá “S001” representando o número do quadro estático como os quatro últimos dígitos do nome do arquivo no lugar do número do clipe. Para mais informações sobre como alterar a numeração da câmera, consulte a seção ‘Metadados do Projeto’.

Configurações de Monitoramento

A aba “Monitorar” permite que você ajuste textos de status, sobreposições e outras opções de monitoramento para a tela de toque LCD e a saída HDMI da sua Blackmagic Pocket Cinema Camera. As opções são organizadas por saída entre “LCD”, “HDMI” e “Ambos”, abrangendo as configurações de monitoramento que afetam a saída HDMI e LCD. Cada um destes menus tem duas páginas de opções, que você pode navegar tocando nas setas nas extremidades da tela de toque da sua câmera ou deslizando para a esquerda ou direita.

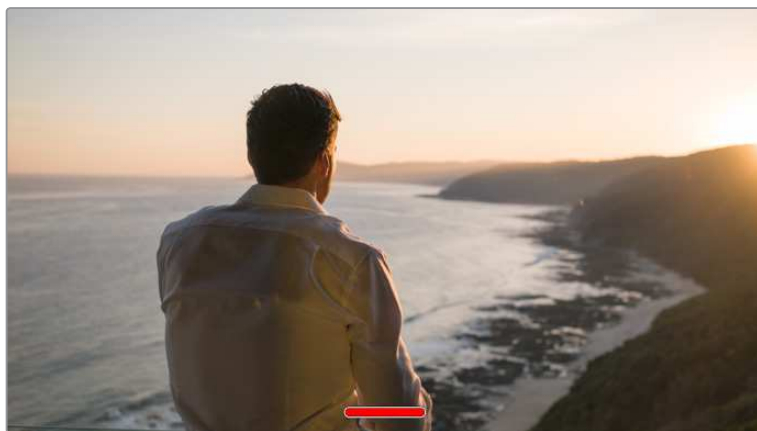
Configurações de Monitoramento 1

A primeira página da aba “Monitorar” contém configurações idênticas para cada saída. Por exemplo, você pode habilitar zebras para a tela de toque LCD, mas desabilitá-las para a saída HDMI.



Alimentação Limpa

Toque na chave “Alimentação Limpa” nos menus “LCD” ou “HDMI” para desabilitar todos os textos de status e sobreposições nessa saída, exceto a luz de sinalização de gravação.



A sua câmera exibirá uma sinalização de gravação no modo alimentação limpa.

OBSERVAÇÃO As LUTs ainda serão aplicadas às saídas com “Alimentação Limpa” ativada. Para desativar as LUTs, desabilite a chave “LUT de Exibição” no menu de monitoramento.

LUT de Exibição 3D

Sua Blackmagic Pocket Cinema Camera pode aplicar LUTs 3D a qualquer saída para estimar o look das imagens com o tratamento de cores. Este recurso é particularmente útil ao gravar clipes usando a faixa dinâmica no modo filme.

Se a sua câmera possuir uma LUT 3D ativa, utilize esta configuração para aplicar essa LUT independentemente na sua tela de toque LCD e saída HDMI.

Para mais informações sobre como carregar e usar LUTs 3D, consulte a seção 'LUTS 3D' neste manual.

Toque nas chaves nas páginas "LCD" ou "HDMI" para habilitar as opções de monitoramento para a tela de toque LCD e a saída HDMI: "Assistente de Foco", "Guias de Enquadramento", "Grades", "Área Segura" e "Cor Falsa".

Zebra

Toque na chave "Zebra" nos menus "LCD" ou "HDMI" para habilitar as marcações de zebra para essas saídas. Para mais informações sobre as marcações de zebra e a configuração dos níveis zebra, consulte a seção 'Recursos da Tela de Toque' neste manual.

Assistente de Foco

Toque na chave "Assistente de Foco" nos menus "LCD" ou "HDMI" para habilitar o assistente de foco para essas saídas. Para mais informações sobre o assistente de foco e a configuração dos níveis para ao assistente de foco, consulte a seção 'Recursos da Tela de Toque' neste manual.

Guias de Enquadramento

Toque na chave "Guias de Enquadramento" nos menus "LCD" ou "HDMI" para habilitar as guias de enquadramento para essas saídas. Para mais informações sobre as guias de enquadramento e a seleção de guias diferentes, consulte a seção 'Recursos da Tela de Toque' neste manual.

Grades

Toque na chave "Grade" nos menus "LCD" ou "HDMI" para habilitar uma grade da regra dos terços para essas saídas. Para mais informações sobre a grade da regra dos terços, consulte a seção 'Recursos da Tela de Toque' neste manual.

Área Segura

Toque na chave "Área Segura" nos menus "LCD" ou "HDMI" para habilitar uma sobreposição de área segura para essas saídas. Para mais informações sobre as guias de área segura, consulte a seção 'Recursos da Tela de Toque' deste manual.

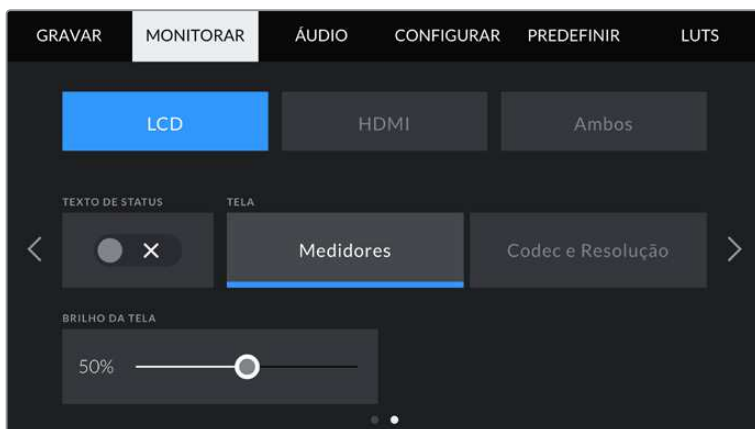
OBSERVAÇÃO Use o recurso "% de Área Segura" nas configurações de monitoramento "Ambos" da sua Blackmagic Pocket Cinema Camera para definir o tamanho da guia da área de segurança.

Cor Falsa

Toque na chave "Cor Falsa" nos menus "LCD" ou "HDMI" para habilitar a assistência de exposição com cores falsas para essas saídas. Para mais informações sobre cores falsas, consulte a seção 'Recursos da Tela de Toque' neste manual.

Configurações de Monitoramento LCD 2

A segunda página da aba “Monitorar” do seu LCD contém configurações exclusivas para a sua tela de toque LCD.



“Texto de Status” fornece uma visão clara da pré-visualização de imagem da sua câmera.

Texto de Status

Este recurso pode ser útil para ocultar o texto de status e os medidores na sua tela de toque LCD, deixando apenas as informações necessárias para compor ou dirigir um plano. Toque no ícone de habilitação “Texto de Status” para ativar e desativar o texto de status e os medidores na tela LCD da sua câmera. Sobreposições como guias de enquadramento, grades, assistente de foco e zebras permanecerão visíveis, se habilitadas. Deslizar para cima ou para baixo na tela de toque LCD possui o mesmo efeito.

Tela

Em vez de um histograma ou medidores de áudio, sua câmera pode exibir as informações de codec e resolução nas extremidades do canto inferior esquerdo ou direito da tela de toque LCD. Isto pode ser útil caso prefira usar cor falsa para ajustar a exposição ou esteja gravando áudio separadamente e deseje exibir informações adicionais no espaço normalmente ocupado pelo histograma e pelos medidores de áudio.

Basta tocar em “Medidores” ou em “Codec e Resolução” no menu “LCD” para selecionar a visualização de sua preferência.



A sua Blackmagic Pocket Cinema Camera pode exibir as informações de codec e resolução no lugar do histograma e dos medidores de áudio.

Brilho da Tela

Arraste o deslizador “Brilho da Tela” no menu “LCD” para a direita ou esquerda para ajustar o brilho da tela de toque LCD da sua câmera.

Configurações de Monitoramento HDMI 2

A segunda página da aba de monitoramento “HDMI” contém configurações exclusivas para a saída HDMI.



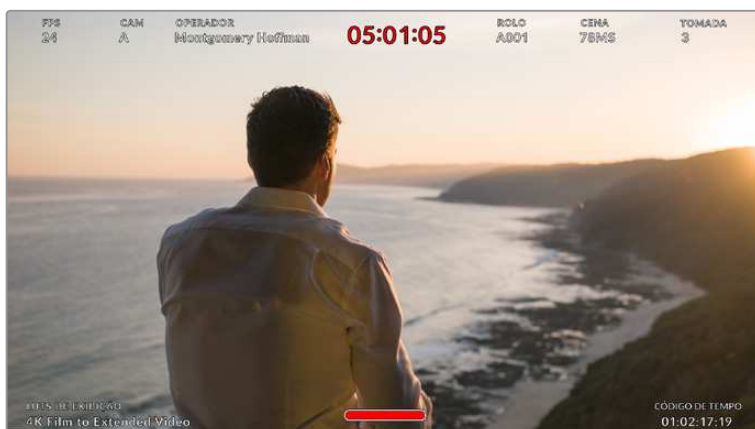
Texto de Status

Pode ser útil ocultar o texto de status e os medidores na sua saída HDMI, deixando apenas as informações necessárias para compor ou dirigir um plano. Toque no ícone de habilitação “Texto de Status” nos menus de monitoramento HDMI para ativar e desativar o texto de status e os medidores. Sobreposições como guias de enquadramento, grades, assistente de foco e zebras permanecerão visíveis, se habilitadas.

Para ocultar ou exibir o texto de status e os medidores na tela de toque, basta deslizar para cima ou para baixo.

Exibir Texto de Status para Cinegrafista ou Diretor

A tela de toque LCD exibe informações como sensibilidade ISO, balanço de branco e abertura, que são úteis para um operador de câmera ou cinegrafista preparando planos de imagem individuais na câmera. A saída HDMI da sua câmera, contudo, também pode exibir informações úteis para um diretor ou supervisor de roteiro que esteja acompanhando os múltiplos planos ou câmeras.



A sua Blackmagic Pocket Cinema Camera pode exibir textos de status específicos para o diretor na sua saída HDMI.

Definir o texto de status como “Diretor” nas configurações de monitoramento HDMI altera o texto de status nessa saída para que as seguintes informações sejam exibidas:

- **FPS**
Exibe a taxa de quadros por segundo atualmente selecionada na câmera. Caso a taxa de quadro off-speed esteja desabilitada, apenas a taxa de quadro do projeto será exibida. Caso uma taxa de quadro off-speed esteja sendo usada, a taxa de quadro do sensor será exibida, seguida da taxa de quadro do projeto.
- **CAM**
Exibe o índice de câmera como definido na claquete da sua câmera. Consulte a seção 'Claquete' neste manual para mais informações.
- **OPERADOR**
Identifica o operador de câmera como definido na claquete da sua câmera. Consulte a seção 'Claquete' neste manual para mais informações.
- **EXIBIÇÃO DE DURAÇÃO**
Exibe a duração do clipe atual, durante a gravação, ou do último clipe gravado no seguinte formato: horas:minutos:segundos.
- **ROLO, CENA, TOMADA**
Exibe rolo, cena e tomada atuais. Para mais informações sobre rolos, cenas, tomadas e suas convenções de rotulação, consulte a seção 'Claquete' neste manual.
- **FAIXA DINÂMICA**
O canto inferior esquerdo do monitor exibe a LUT aplicada no momento, se aplicada à essa saída. Sem uma LUT habilitada, a faixa dinâmica no modo filme ou vídeo será exibida.
- **CÓDIGO DE TEMPO**
O canto inferior direito do monitor exibe o código de tempo da sua câmera no seguinte formato:
horas:minutos:segundos:quadros.

Configurações Gerais de Monitoramento 1

As configurações de monitoramento que afetam ambas a saída HDMI e o LCD da sua câmera, são agrupadas no menu "Ambos". Por exemplo, a configuração da porcentagem da guia de área segura como 90% definirá a guia de área segura como 90% para o LCD e a saída HDMI da sua câmera.

Ambas as configurações de monitoramento são exibidas em duas páginas, contendo as configurações a seguir:



Guias de Enquadramento

Toque nas setas esquerda ou direita no menu de configuração "Guias de Enquadramento" para navegar pelas opções de guias de enquadramento para todas as saídas na sua câmera. As opções são detalhadas na seção 'Tela de Toque' neste manual e também são acessíveis a partir do menu de monitoramento LCD no heads-up display da sua tela de toque LCD. É importante observar que você pode selecionar individualmente se as guias de enquadramento aparecerão ou não na sua tela de toque LCD ou saída HDMI nos seus respectivos menus de monitoramento.

Opacidade da Guia

Toque nas setas direita ou esquerda no menu de configuração “Opacidade da Guia” para selecionar a opacidade das áreas bloqueadas pelas guias de enquadramento da sua tela de toque LCD e da saída HDMI. As opções são 25%, 50%, 75% e 100%.

Assistente de Foco

A sua câmara possui dois modos de assistência de foco, incluindo “Pico” e “Linhas Coloridas”.

Pico	Quando o modo de assistente de foco no estilo pico de foco é selecionado, as áreas da imagem que estiverem em foco ficarão profundamente nítidas na sua tela de toque LCD ou na saída HDMI, mas não na própria imagem gravada. Este recurso faz com que as partes em foco da sua imagem “saltem” do plano de fundo mais suave na tela. Como sobreposições adicionais não são usadas, esta pode ser uma maneira muito intuitiva de identificar quando o ajuste de foco é feito, especialmente quando o sujeito em foco estiver fisicamente bem separado dos outros elementos no plano.
Linhas Coloridas	Quando o modo de assistente de foco no estilo de linhas coloridas é selecionado, uma linha colorida é sobreposta em volta das partes da imagem que estão em foco. Este modo pode ser um pouco mais intrusivo que o modo de pico de foco, já que as linhas são desenhadas por cima da sua imagem, mas em planos complexos com muitos elementos visíveis pode ser um assistente de foco de alta precisão.

Nível do Assistente de Foco

Para configurar o nível de assistente de foco no seu LCD ou saída HDMI, toque nos parâmetros “Baixo”, “Médio” ou “Alto”.

OBSERVAÇÃO Definir o nível de intensidade do assistente de foco não afeta a sua habilitação na tela de toque LCD e na saída HDMI da sua Blackmagic Pocket Cinema Camera. Ainda será necessário que você habilite o assistente de foco individualmente para cada saída nos menus de monitoramento da saída HDMI e no LCD.

DICA O nível ideal para o assistente de foco varia de plano em plano. Ao focalizar nos atores, por exemplo, um nível mais alto do assistente de foco pode ajudar a solucionar detalhes de aresta nos rostos. Um plano com folhagem ou alvenaria, por outro lado, pode exibir quantidades confusas de informação de foco em configurações mais elevadas.

Cor do Foco

Use esta configuração para alterar a cor das sobreposições da linha de foco quando usar o modo de assistente de foco “Linhas Coloridas”. Alterar a cor da linha de foco facilita a visualização das linhas do assistente de foco separadas da sua imagem. As opções disponíveis são “Branco”, “Vermelho”, “Verde”, “Azul” e “Preto”.

Níveis Zebra

Configure o nível de exposição da exibição das marcações zebra ao tocar nas setas laterais desta configuração. O nível de zebra é ajustável em incrementos de cinco por cento entre exposições de 75 e 100 por cento.

Para mais informações sobre as marcações de zebra, consulte a seção ‘Recursos da Tela de Toque’ neste manual.

Configurações Gerais de Monitoramento 2

A segunda página “Ambos” da aba de monitoramento contém as seguintes opções:



Página 2 das opções de monitoramento para ambos LCD e HDMI.

Grades

Para definir qual combinação de grades e retículas você deseja exibir na tela de toque LCD e na saída HDMI da sua câmera, toque nas opções “Terços”, “Horizonte”, “Retícula” ou “Ponto” nesta configuração.

Para mais informações, consulte o guia “Grades” na seção ‘Recursos da Tela de Toque’ neste manual.

% de Área Segura

Ajuste o tamanho da sobreposição de área segura na tela de toque e na saída HDMI tocando nas setas à direita ou à esquerda da porcentagem exibida nesta configuração. Esta porcentagem indica o tamanho da área segura em relação ao quadro da imagem. A maioria dos teledifusores exige uma área segura de 90%.

Descompressão Anamórfica

A sua Pocket Cinema Camera pode aplicar descompressão anamórfica à tela de toque LCD e saída HDMI. Nos formatos 16:9 e 17:9, você pode habilitar “Descompressão Anamórfica 1.33x”. Ao gravar no formato “3.7K Anamórfico” na Pocket Cinema Camera 6K ou “2.8K anamórfico” na Pocket Cinema Camera 4K, sua câmera aplica “Descompressão Anamórfica 2x” automaticamente.

Configurações de Áudio

A aba “Áudio” permite ajustar as configurações para a entrada e o monitoramento de áudio na sua câmera.

As configurações de áudio para a câmera abrangem duas páginas divididas entre os canais 1 e 2.

Você pode mapear cada canal de áudio para uma fonte diferente, assim como ajustar várias configurações como controle de ganho.

Configurações de Áudio 1

A primeira página da aba “Áudio” contém as configurações a seguir:



FONTE DO CANAL

Utilize os botões “Fonte Canal 1” e “Fonte Canal 2” para selecionar a fonte de áudio para cada canal de áudio. Há uma descrição da configuração de cada fonte de canal apresentada a seguir:

- **Câmera - Direito ou Esquerdo**
Grava a partir dos microfones internos da sua câmera.
- **Câmera - Mono**
Cria um único canal de áudio a partir dos canais direito e esquerdo do microfone embutido da sua Blackmagic Pocket Cinema Camera.
- **XLR Linha**
Utiliza a entrada XLR da sua câmera para gravar áudio no nível de linha.
- **XLR Mic**
Grava áudio de nível mic a partir da entrada XLR da sua câmera. Caso a alimentação fantasma esteja habilitada e você tenha configurado a entrada XLR como “Mic”, você também visualizará um indicador “+48V” aqui. É importante certificar-se de que a chave 48 V esteja desabilitada ao desconectar o seu microfone com alimentação fantasma.
- **3,5mm Esquerdo - Linha**
Utiliza somente o canal esquerdo da entrada 3,5 mm como áudio de nível de linha.
- **3,5mm Direito - Linha**
Utiliza somente o canal direito da entrada 3,5 mm como áudio de nível de mic.
- **3,5mm Mono - Linha**
Cria uma mixagem mono do canal esquerdo e direito a partir da entrada 3,5 mm como áudio de nível de linha.
- **3,5mm Esquerdo - Mic**
Utiliza somente o canal esquerdo da entrada 3,5 mm como áudio de nível de mic.
- **3,5mm Direito - Mic**
Utiliza somente o canal direito da entrada 3,5 mm como áudio de nível de mic.
- **3,5mm Mono - Mic**
Cria uma mixagem mono do canal esquerdo e direito a partir da entrada 3,5 mm como áudio de nível de mic.
- **Nenhum**
Desabilita seu canal de áudio.

OBSERVAÇÃO Ao selecionar a entrada de 3,5 mm como uma fonte de áudio, ambas as fontes dos canais 1 e 2 precisam ser do nível de linha ou mic. Ou seja, se você selecionar “3,5mm Esquerdo - Linha” como sua fonte para o canal 1, as opções disponíveis para a entrada de 3,5 mm no canal 2 serão todas ao nível de linha: “3,5mm Esquerdo - Linha”, “3,5 Direito - Linha” e “3,5 mm mono - Linha”. As opções para nível de microfone ficam sombreadas.

Nível Canal 1/2

Os medidores de nível ajudam você a configurar o nível de áudio correto.

Ganho Canal 1/2

Estes deslizadores são usados para ajustar os níveis de gravação para as fontes de áudio desejadas do canal 1 e 2.

Configurações de Áudio 2

A segunda página da aba “Áudio” contém as configurações a seguir:



Volume do Fone de Ouvido

O deslizador ajusta os níveis de saída para fones de ouvido encaixados no conector tipo jack de 3,5 mm para fones de ouvido. Mova o deslizador de áudio para esquerda ou direita para ajustar os níveis.

Volume do Alto-Falante

Este deslizador ajusta os níveis de saída para o alto-falante integrado. Mova o deslizador de áudio para esquerda ou direita para ajustar os níveis.

Alimentação Fantasma XLR

A entrada XLR da sua câmera pode fornecer alimentação fantasma de 48 V para que você possa usar microfones que não sejam autoalimentados. Quando a entrada de áudio da sua câmera estiver configurada como “XLR”, basta tocar no ícone de habilitação “Alimentação Fantasma” para habilitar a alimentação fantasma.

Medidores de Áudio

Selecione um padrão de medição para os níveis de pico dos medidores de áudio.

Configuração do medidor de áudio	Padrão
PPM (-20 dBFS)	SMPTE RP.0155
PPM (-18 dBFS)	EBU R.68

OBSERVAÇÃO É prática comum conectar seu cabo XLR antes de habilitar a alimentação fantasma. Também é importante desligar a alimentação fantasma quando você não possui um microfone com alimentação fantasma conectado. A conexão de equipamentos que não exigem alimentação fantasma enquanto ainda estiver no modo de alimentação fantasma pode danificar seus equipamentos, já que a câmera emite uma carga elétrica neste modo. A alimentação fantasma também pode demorar um pouco para descarregar depois de ser desligada.

É recomendável esperar alguns minutos quando desativar a alimentação fantasma antes de conectar quaisquer outros microfones ou equipamentos de áudio XLR.

Ajustar Configurações

A aba “Configurar” contém configurações de identificação da sua Blackmagic Pocket Cinema Camera, versão do software, configurações para os botões de função e outras configurações de câmera que não estão diretamente conectadas à gravação ou ao monitoramento. Este menu possui quatro páginas, pelas quais você pode navegar ao tocar nas setas nos cantos da tela de toque da sua câmera ou ao deslizar para a esquerda ou direita.

Definições de Configuração Página 1

A primeira página da aba “Configurar” da sua câmera contém as configurações a seguir:

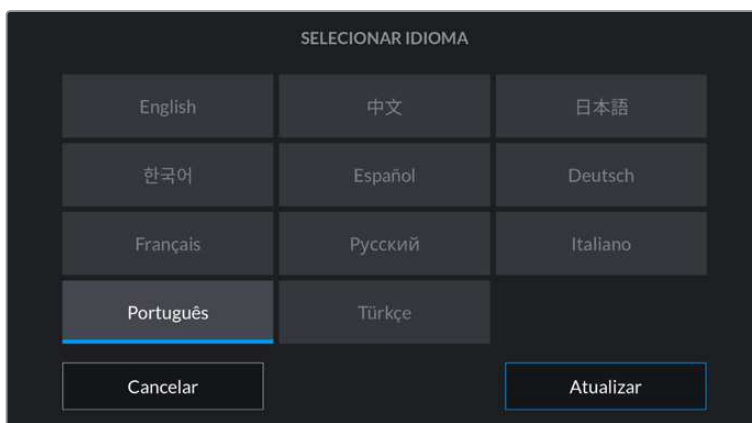


Data e Hora

Defina a data e hora da sua câmera ao tocar na configuração “Data e Hora”. O formato da data é ano, mês, dia e o formato da hora é em 24 horas. A data e a hora também são usadas para o código de tempo de hora do dia, caso um código de tempo externo não seja conectado.

Idioma

A Pocket Cinema Camera oferece suporte a 11 idiomas populares: inglês, chinês, japonês, coreano, espanhol, alemão, francês, russo, italiano, português e turco.



A página de idiomas também aparecerá na primeira inicialização.

Para selecionar seu idioma:

- 1 Toque em “Idioma” e selecione sua língua na lista.
- 2 Selecione “Atualizar” para retornar ao menu de configurações.

Medida do Obturador

Utilize esta configuração para selecionar a exibição ou não das informações do obturador, como “Ângulo” ou “Velocidade”.

É importante mencionar que ao usar o ângulo do obturador, o obturador se ajusta à taxa de quadro. Por exemplo, 180 graus produz o mesmo desfoque de movimento, independentemente da taxa de quadro usada.

Porém, ao utilizar a velocidade do obturador, o obturador recebe um valor absoluto determinado de maneira independente da taxa de quadro, assim os resultados são diferentes caso altere a taxa de quadro.

Por exemplo, ao filmar a 24 quadros por segundo, uma velocidade do obturador com 1/48 de um segundo produz desfoque de movimento equivalente a um ângulo do obturador de 180 graus. Caso altere a taxa de quadro para 48 quadros por segundo, a velocidade do obturador de 1/48 de um segundo não oferecerá mais o mesmo desfoque de movimento, mas produzirá o equivalente a um ângulo do obturador de 360 graus. Neste exemplo, quando a taxa de quadro é alterada para 48 fps, você também precisaria mudar a velocidade do obturador para 1/96 de um segundo para produzir o mesmo efeito que um ângulo do obturador de 180 graus.

Obturador Sem Cintilação Baseado Em

Utilize esta configuração para alterar a frequência das tomadas de alimentação que a sua câmera usa para calcular as configurações do obturador sem cintilação.

Ao filmar sob luzes, seu obturador pode tornar cintilações visíveis. A sua Blackmagic Pocket Cinema Camera calculará os valores do obturador sem cintilação automaticamente conforme sua taxa de quadro atual e recomendará até três valores para o obturador. Estas medidas do obturador são afetadas pela frequência das tomadas de alimentação de redes locais usadas para ligar estas luzes. Na maioria dos países com padrão PAL, esta frequência é de 50 Hz, enquanto os países de padrão NTSC geralmente usam alimentação de 60 Hz. Basta tocar em “50Hz” ou “60Hz” para definir a frequência correta para a sua região.

OBSERVAÇÃO As características de fontes de iluminação variadas ainda poderão causar cintilação mesmo ao usar ângulos do obturador livres de cintilação. Recomendamos fazer testes de filmagem sempre que não estiver utilizando luzes contínuas.

Estabilização de Imagem

A Pocket Cinema Camera 4K oferece uma opção para habilitar ou desabilitar a estabilização de imagem em lentes sem uma chave física.

Código de Tempo com DQ

Utilize a opção “Código de Tempo com DQ” para códigos de tempo com descarte de quadro ao usar taxas de quadro de 29.97 e 59.94 em projetos NTSC. O código de tempo com descarte de quadro ignora uma pequena quantidade de quadros do código de tempo em intervalos definidos. Isto permite que o código de tempo do seu projeto permaneça preciso apesar de cada segundo não conter a quantidade completa de quadros para taxas de quadro NTSC.

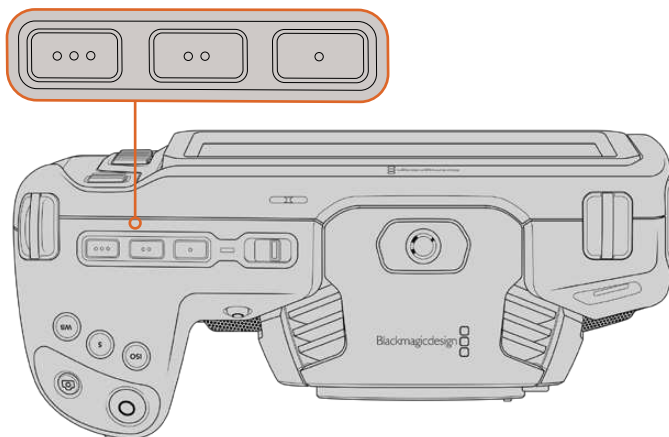
Definições de Configuração Página 2

A segunda página da aba “Configurar”, contém os ajustes a seguir:



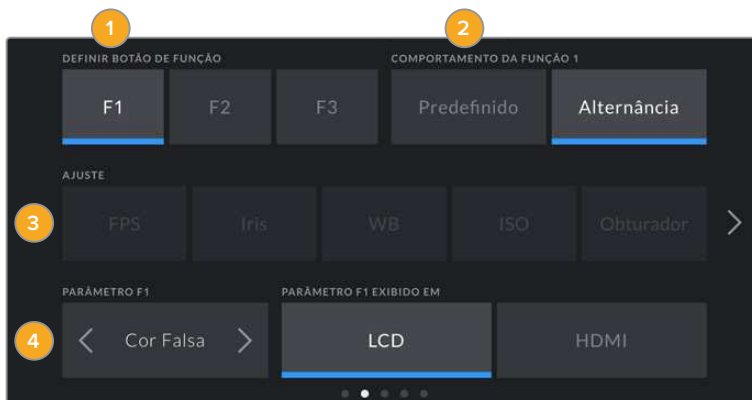
Definir Botão de Função

Na parte superior da sua Blackmagic Pocket Cinema Camera, você notará que há três botões de função. Os pontos nos botões representam função 1, função 2 e função 3. Os botões podem ser mapeados para recursos usados com frequência e são rapidamente acessíveis durante o uso da câmera.



Os botões de função são representados por pontos e estão localizados na parte superior da sua câmera.

Para configurá-los, selecione um botão de função e, em seguida, o comportamento, os ajustes e os parâmetros que deseja atribuir a esta função.



1 Botão 2 Comportamento 3 Ajuste 4 Parâmetro

Comportamento da Função 1/2/3

Depois de selecionar o botão de função que deseja mapear, você deve escolher um comportamento. As opções disponíveis são:

Predefinido	<p>Quando configurado para este comportamento, o botão de função irá recuperar a combinação de uma configuração e um parâmetro.</p> <p>Para configurar uma predefinição, selecione a configuração que você deseja usar a partir do menu “Ajuste” e altere esta configuração tocando nos ícones de seta em cada lateral do menu “Parâmetro”.</p> <p>Por exemplo, para configurar o botão F1 para recuperar uma abertura predefinida de f8, selecione o comportamento “Predefinido”, toque na configuração “Íris” e toque nas setas laterais do menu “Parâmetro” até chegar em f8. Tocar na predefinição novamente retorna sua câmera para a configuração anterior.</p>
Alternância	<p>Quando configurado para este comportamento, o botão de função habilitará e desabilitará uma configuração específica. O menu “Ajuste” fica sombreado neste modo. Em seu lugar, toque nas setas esquerda ou direita no menu de parâmetros para navegar pelas opções disponíveis. Elas incluem “Gravação Off-Speed”, “OIS”, “Alimentação Limpa”, “LUT de Exibição”, “Guias de Enquadramento”, “Assistente de Foco”, “Cor Falsa”, “Zebra”, “Grades” e “Área Segura”.</p> <p>Utilize o comportamento “Alternância” para selecionar a saída a qual esta configuração se aplica. Toque em qualquer combinação de “LCD” e “HDMI” para seleção. Se a saída para alguma opção não puder ser selecionada, como “Gravação Off-Speed”, que sempre se aplica a todas as saídas, as configurações separadas para “LCD” e “HDMI” serão desabilitadas.</p>

Definições de Configuração Página 3

A terceira página da aba “Configurar”, contém os ajustes a seguir:



LED de Sinalização

A sua Blackmagic Pocket Cinema Camera possui uma pequena luz de sinalização na parte frontal que acende em vermelho para indicar que a câmera está gravando. A luz de sinalização pode ser habilitada ou desabilitada tocando no ícone de habilitação “LED de Sinalização”.

Brilho do LED

Para configurar o brilho do LED de sinalização, toque em “Baixo”, “Médio” ou “Alto”.

ID do Hardware

O indicador “ID do Hardware” exibe um identificador com 8 caracteres para a sua Blackmagic Pocket Cinema Camera. Este identificador é único para cada câmera. Uma versão mais longa de 32 caracteres também é incluída nos metadados para vídeos Blackmagic RAW e ProRes. O identificador pode ser útil para identificar quais imagens foram originadas de uma câmera específica.

Software

Exibe o número da versão software atualmente instalado. Consulte a seção ‘Blackmagic Camera Setup Utility’ para mais informações sobre atualizações de software.

Reprodução

Esta configuração permite que você selecione a reprodução de “Clipe Único” ou “Todos os Clipes”, na tela de toque LCD a partir de um cartão SD, CFast ou de uma unidade flash USB-C. “Todos os Clipes” reproduzirá todas as mídias correlacionadas sequencialmente e “Clipe Único” reproduzirá um clipe de cada vez. Esta ação também se aplica à função de reprodução em loop. A seleção de loop em “Todos os Clipes” reproduzirá todos os clipes nas suas mídias de gravação e, depois, repetirá em loop. A seleção de “Clipe Único” fará o looping de um único clipe por vez.

Ajustar Configurações Página 4

A quarta página da aba “Configurar” da sua câmera contém as seguintes configurações Bluetooth®:



O nome Bluetooth da câmera será a letra da sua câmera conforme a definição da claquete, seguida da identificação do hardware de 8 caracteres da sua câmera.

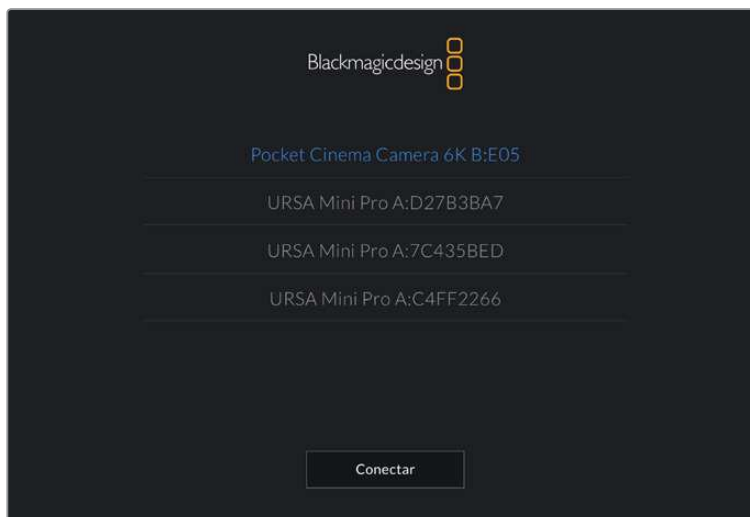
Bluetooth®

O controle Bluetooth permite controlar a câmera sem fio a partir de dispositivos portáteis. Ao usar o “Blackmagic Camera Control App”, você pode alterar as configurações, ajustar os metadados e disparar a gravação remotamente a partir de um iPad. É possível habilitar ou desabilitar o Bluetooth ao tocar no ícone de habilitação “Bluetooth” no menu “Configurar”. Quando o Bluetooth é habilitado, a câmera pode ser detectada por dispositivos Bluetooth por até 9 metros de distância. A sua câmera utiliza a mesma série de comandos para o controle Bluetooth que o “Blackmagic SDI Camera Control Protocol”, assim você pode criar os seus próprios aplicativos para controlar quase todas as configurações na câmera remotamente. Por exemplo, desde as opções de monitoramento e as configurações de áudio até o corretor de cor DaVinci Resolve integrado ou o controle de lentes.

Para mais informações, consulte o documento ‘Blackmagic Camera Control’ disponível em www.blackmagicdesign.com/br/developer.

Como emparelhar sua câmera com um iPad pela primeira vez:

- 1 Habilite o Bluetooth tocando no ícone de habilitação “Bluetooth” no menu “Configurar”.
- 2 Abra o “Blackmagic Camera Control App” e selecione a câmera com a qual você deseja emparelhar. As câmeras disponíveis serão listadas pela letra da câmera, seguidas pelo identificador de hardware único. Por exemplo: A:A0974BEA.



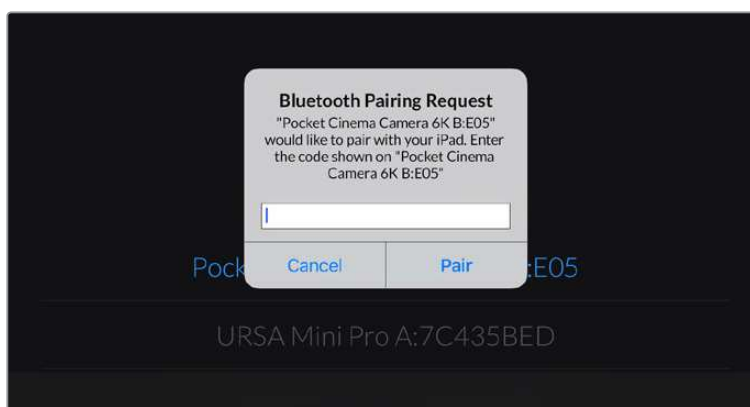
Selecione a Blackmagic Pocket Cinema Camera com a qual você deseja emparelhar.

OBSERVAÇÃO Ao instalar o Blackmagic Camera Control App e executá-lo pela primeira vez, será solicitado que você autorize o acesso aos serviços de localização. Caso selecione “Durante Uso do App”, a leitura das informações do GPS do seu iPad será incluída nos metadados dos arquivos que forem gravados, permitindo que você faça a marcação geográfica das imagens. Essas informações podem ser visualizadas nas versões DaVinci Resolve 15 ou mais recentes.

Se preferir não autorizar o uso dessas informações, selecione “Nunca”.

Para ajustar configurações, vá até as configurações, privacidade, serviços de localização e controle de câmera no seu iPad.

- 3 Ao tentar conectar pela primeira vez, o Blackmagic Camera Control App solicitará um código de seis dígitos para emparelhar com a câmera. Este código será exibido na tela LCD da câmera. Digite este código no iPad e pressione “Emparelhar”.





- 4 Quando sua câmera se conectar ao seu iPad, ela confirmará o emparelhamento.



- 5 Se o emparelhamento da câmera com o seu iPad não for concluído com sucesso, a câmera exibirá uma mensagem de erro. Tente a conexão novamente.



OBSERVAÇÃO Caso não esteja usando Bluetooth para controlar sua Blackmagic Pocket Cinema Camera, é uma boa ideia desabilitá-lo para efeitos de segurança.

Desconectar Dispositivo Atual

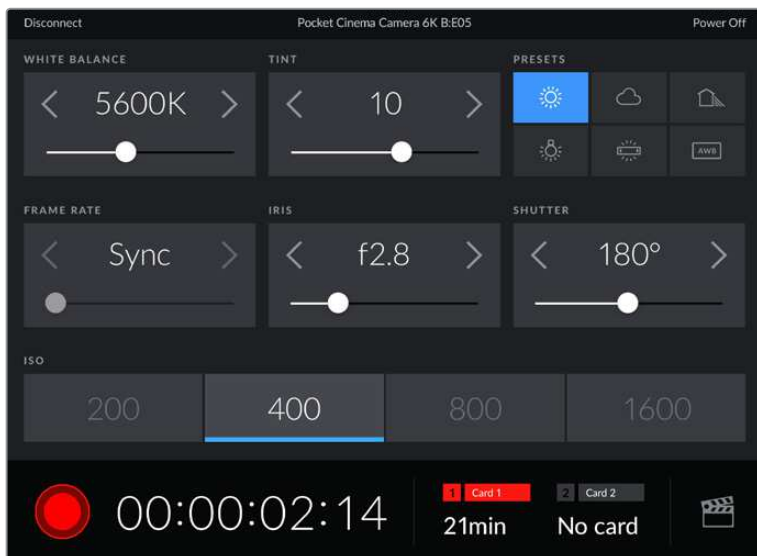
Utilize esta configuração para desconectar a sua Blackmagic Pocket Cinema Camera do iPad com o qual está emparelhada.

Limpar Dispositivos Emparelhados

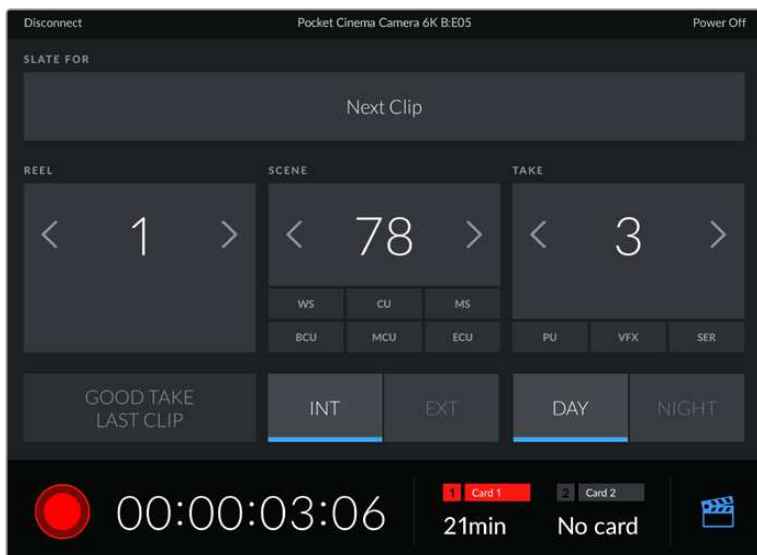
Utilize esta configuração para limpar a lista de dispositivos com que sua câmera foi emparelhada.

Controlar Sua Câmera com o Blackmagic Camera Control App

Quando o emparelhamento da sua câmera com seu iPad for concluído com sucesso, você poderá alterar configurações, ajustar metadados e disparar gravações remotamente usando o app do iPad.



Depois de emparelhados, o aplicativo Blackmagic Camera Control exibirá esta tela, possibilitando ajustar suas configurações e iniciar gravações.



Toque no ícone da claquete no canto inferior direito para acessar e atualizar a claquete.

A Blackmagic Pocket Cinema Camera utiliza Bluetooth LE para se comunicar com os dispositivos para controle sem fio. Como este é o mesmo tipo de protocolo usado em dispositivos portáteis, ele consome uma quantidade mínima de carga da bateria.

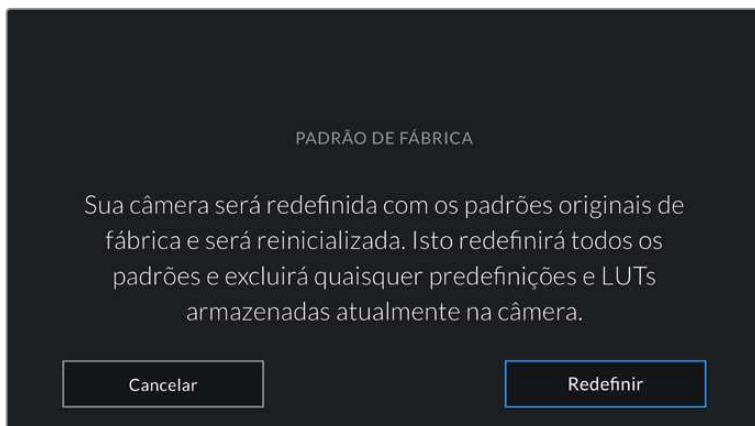
Definições de Configuração Página 5

A quinta página da aba “Configurar” possui controles para restaurar para o padrão de fábrica, recalibrar pixels e calibrar o indicador de horizonte.



Padrão de Fábrica

Para restaurar a câmera para as configurações padrão de fábrica, basta apertar o botão “Redefinir”. Na página de confirmação, toque em “Redefinir” para confirmar esta ação. Sua câmera apaga quaisquer LUTs e predefinições armazenadas e redefine todas as configurações. Por segurança, é uma boa prática exportar suas predefinições para um cartão de memória antes da restauração ao padrão de fábrica. Após a restauração, você pode recuperar suas predefinições rapidamente ao importá-las de um cartão de memória. É importante observar que a restauração do padrão de fábrica redefine o indicador de horizonte, portanto é recomendado recalibrar o sensor de movimento após a restauração para assegurar sua precisão.



Ao selecionar “Redefinir”, será solicitado que você confirme sua ação.

Remapeamento de Pixels

O sensor CMOS utilizado pela sua Blackmagic Pocket Cinema Camera é constituído por milhões de pixels que respondem à luz. O brilho de alguns pixels pode se alterar com o passar do tempo, depois da calibração de fábrica. Consequentemente, eles se tornam mais visíveis e são popularmente chamados de pixels quentes. Todos os sensores de câmeras, independentemente do fabricante, desenvolverão pixels quentes.

Para solucionar isto, incluímos um recurso de calibração interno na câmera que pode ser usado caso você note pixels quentes na imagem.

Para iniciar este processo, basta colocar a tampa da lente e executar o recurso de remapeamento ao tocar no botão “Remapear Pixels”. O processo deve levar aproximadamente um minuto para ser concluído.

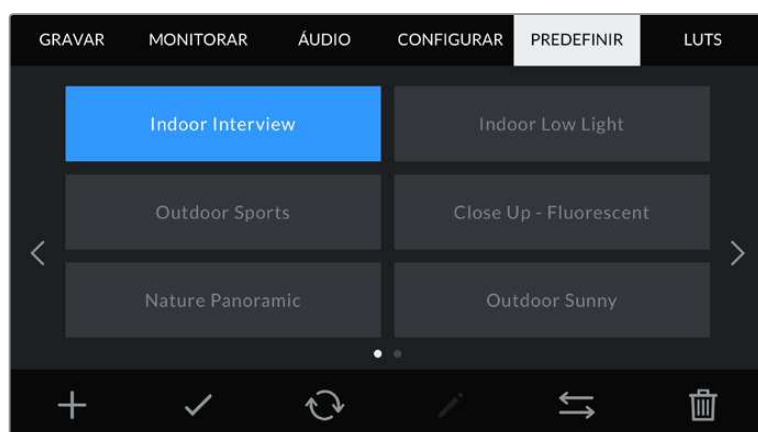
Sensor de Movimento

Para calibrar o indicador de horizonte, posicione sua câmera em uma superfície nivelada e toque no botão “Calibrar Sensor de Movimento”. É necessário que você mantenha sua câmera estabilizada durante a calibração. O processo leva cerca de cinco segundos para ser concluído.

Predefinições

A aba “Predefinir” permite que você salve e recupere até 12 coleções de configurações. Isto é muito útil quando uma câmera é usada em projetos diversos. Por exemplo, você pode usar sua câmera em uma variedade de filmagens diferentes, desde documentários até clipes musicais, com configurações bastante diferentes para cada tipo de projeto. A função “Predefinir” da sua câmera permite salvar a configuração de um projeto específico ou do tipo de filmagem e retornar a ela com rapidez e facilidade quando necessário. Doze compartimentos de predefinições estão disponíveis para uso.

Também é possível importar e exportar predefinições, o que é muito útil na preparação de filmagens multicâmera. Basta configurar uma Blackmagic Pocket Cinema Camera para se adequar ao seu projeto e, depois, exportar essa predefinição para todas as outras unidades Blackmagic Pocket Cinema Camera no set.



A aba de predefinições permite que você alterne entre as configurações salvas rapidamente.

OBSERVAÇÃO A sua câmera pode salvar até 12 predefinições na sua memória interna.

Botões de Predefinições

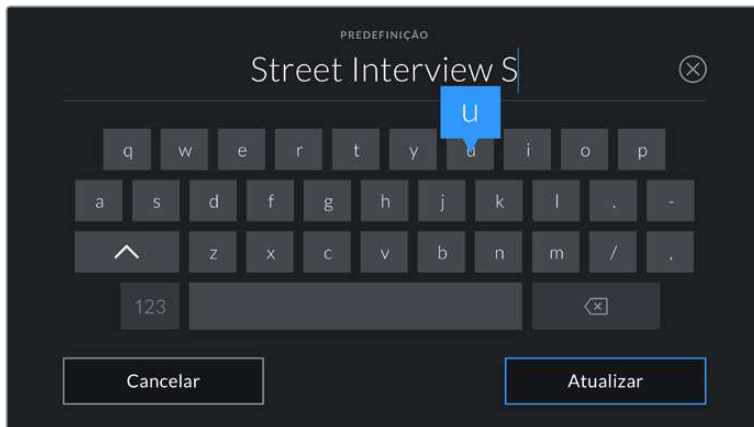
Os ícones de botões ao longo da parte inferior do menu “Predefinir” correspondem às seguintes funções:

				
Adicionar	Carregar	Atualizar	Gerenciar	Remover

Salvar e Carregar Predefinições

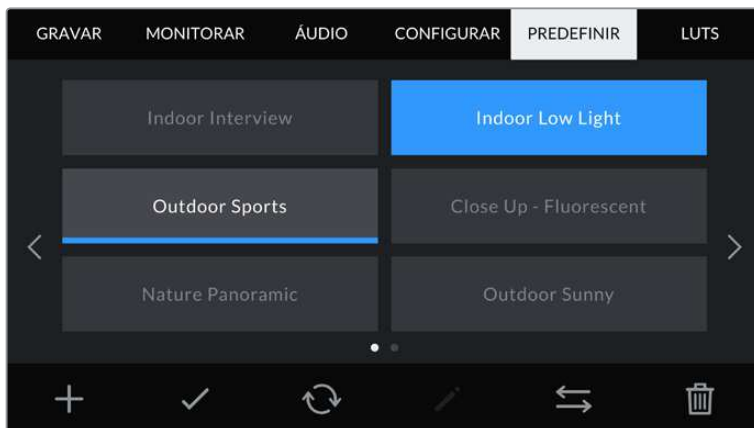
Para criar uma nova predefinição, toque no ícone “Adicionar”. Esta ação ativará um teclado de toque na sua tela de toque LCD onde você poderá denominar sua predefinição. Insira um nome e toque em “Atualizar” para salvar todas as suas configurações atuais nessa predefinição.

Caso a sua câmera já possua uma predefinição carregada com o mesmo nome, você pode substituir a predefinição existente ou manter ambas.



Insira um nome para a sua predefinição ao tocar no ícone “Adicionar” na aba “Predefinir” usando o teclado de toque.

Depois de salvar uma predefinição, toque no seu nome no menu “Predefinir” para selecioná-la. Para carregar uma predefinição, toque no ícone “Carregar”.



Selecione uma predefinição e toque no ícone “Carregar” para carregá-la. As predefinições selecionadas são exibidas em azul contínuo, enquanto as predefinições atualmente carregadas exibem uma linha azul ao longo da parte inferior do seu ícone.

Você pode atualizar uma predefinição tocando no ícone “Atualizar”. Esta ação ativará um alerta solicitando que você confirme se deseja atualizar a predefinição com a configuração atual da sua Blackmagic Pocket Cinema Camera. Toque em “Atualizar” para confirmar.

Importar Predefinições

Para importar predefinições, toque no ícone “Gerenciar” do menu “Predefinir”. Toque em “Importar Predefinições” e, depois, toque em “Importar” para confirmar. Esta ação ativará a tela de importação. Se sua predefinição favorita não aparecer no cartão ou na unidade ativa, alterne entre as mídias de gravação tocando em um botão de mídia na parte superior da tela de toque. Você pode importar predefinições da unidade flash USB-C ou de cartões SD e CFast.

A sua câmera procurará no diretório raiz e na pasta “Presets” nas suas mídias selecionadas e listará as predefinições disponíveis. As predefinições salvas em outras localidades não estarão visíveis.

Toque em uma predefinição para selecioná-la e, depois, toque em “Importar” para confirmar sua seleção e copiá-la no próximo compartimento disponível na câmera.

OBSERVAÇÃO Se todos os 12 compartimentos de predefinições estiverem cheios, o menu de importação ficará indisponível e você precisará remover uma predefinição existente para liberar espaço.

Caso a predefinição que você deseja importar tenha o mesmo nome que uma predefinição já salva na sua câmera, você poderá substituir a predefinição existente ou manter ambas. No canto superior direito da tela, você verá o número restante de compartimentos de predefinição vazios disponíveis na sua câmera. Você pode importar o número de predefinições correspondente ao número de compartimentos vazios disponíveis na sua câmera.

Exportar Predefinições

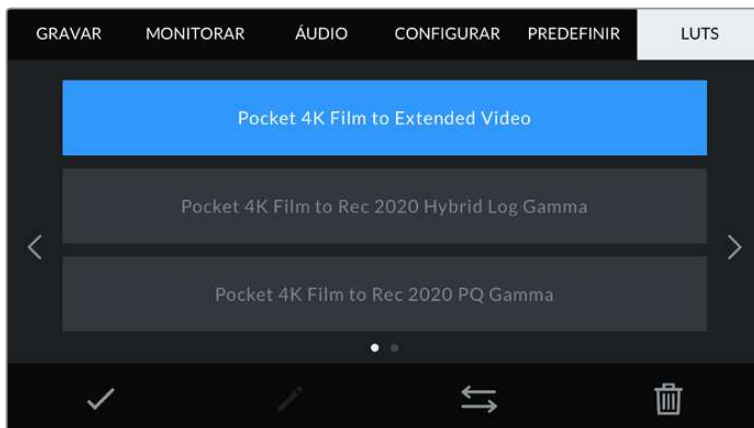
Para exportar uma predefinição para um cartão ou uma unidade flash USB-C, toque na predefinição que deseja exportar e, depois, toque no menu “Gerenciar”. Toque em “Exportar Predefinição Seleccionada” e, depois, toque na mídia onde você deseja exportar a predefinição. Se uma predefinição com o mesmo nome já estiver presente, você pode optar por substituir a predefinição ou manter ambas. A câmera exportará a predefinição para uma pasta “Presets.”

Remover Predefinições

Para remover uma predefinição, selecione-a e toque no ícone “Remover”. Quando for solicitado a confirmar sua escolha, toque em “Remover”.

LUTs 3D

O menu “LUTS” permite importar, exportar e aplicar LUTs 3D às saídas da sua câmera.



Selecione uma LUT 3D usando a aba LUTS da sua câmera.

Introdução às LUTs 3D

As LUTs 3D podem ser aplicadas a imagens na tela de toque LCD da sua câmera e na saída HDMI. As LUTs informam a sua câmera sobre qual saída de cor e luminância exibir para uma entrada de cor e luminância específica. Por exemplo, uma LUT pode solicitar que sua câmera exiba um azul saturado e vibrante ao receber a entrada de um azul relativamente opaco. Isto pode ser útil ao gravar imagens com Blackmagic RAW ou ao usar a faixa dinâmica de filme, em ambos os casos as imagens têm um aspecto intencionalmente desbotado e dessaturado. Ao aplicar uma LUT, você pode ter uma noção da aparência da sua imagem após ter sido tratada cromaticamente.

É fácil criar LUTs 3D usando o DaVinci Resolve ou outro software de correção de cores; e as LUTs estão disponíveis online a partir de uma variedade de fontes. Até dez LUTs 3D de 17 pontos ou 33 pontos com até 1,5 megabytes podem ser armazenadas na câmera. Depois de carregada, você pode exibir uma LUT específica na tela de toque LCD e na saída HDMI da sua câmera.

Sua Blackmagic Pocket Cinema Camera é compatível com LUTs 3D de 33 pontos no formato .cube criadas no DaVinci Resolve e LUTs 3D de 17 pontos convertidas para o formato .cube do Resolve via programas de conversão de LUTs. Sua câmera processa LUTs 3D usando interpolação tetraédrica de alta qualidade.

DICA Para mais informações sobre a exibição de LUTs, consulte a seção ‘Configurações de Monitoramento’ neste manual.

OBSERVAÇÃO Por padrão, a sua Blackmagic Pocket Cinema Camera não aplica, ou “queima”, LUTs nas imagens gravadas, mas você pode optar por “queimar” a LUT nas suas imagens.

Esta pode ser uma opção útil para situações em que você não tem tempo suficiente para fazer a gradação das suas imagens na pós-produção, ou quando você precisa enviar as imagens diretamente para um cliente ou editor.

Ao usar LUTs como uma ferramenta de pré-visualização no set, as informações contidas são gravadas como metadados com suas gravações. O DaVinci Resolve pode exibir essas informações no campo “LUT Utilizada” na aba de metadados, o que pode ser útil para os coloristas verificarem o nome da LUT usada no set.

LUTs Integradas

São fornecidas várias LUTs integradas que permitem a pré-visualização de looks diferentes ao mesmo tempo que você grava na faixa dinâmica de filme em ProRes ou Blackmagic RAW.

Cada câmera oferece LUTs que são específicas para o sensor:

Pocket 4K Film to Extended Video / Pocket 6K Film to Extended Video

Exibe uma faixa dinâmica mais ampla que a LUT ‘Pocket 4K Film to Video’ ou ‘Pocket 6K Film to Video’, e aplica uma mudança de contraste moderada com uma modulação suave nos realces.

Pocket 4K Film to Rec 2020 Hybrid Log Gamma / Pocket 6K Film to Rec 2020 Hybrid Log Gamma

Exibe uma solução híbrida entre REC 709 e uma imagem em log.

Pocket 4K Film to Rec 2020 PQ Gamma / Pocket 6K Film to Rec 2020 PQ Gamma


Exibe uma curva de gama baseada no que podemos perceber a olho nu, para a codificação eficiente das imagens HDR.

Pocket 4K Film to Video / Pocket 6K Film to Video

Semelhante ao padrão de cores REC 709 para vídeos de alta definição, oferecendo níveis elevados de contraste e saturação. Esta configuração pode ser útil ao usar a Blackmagic Pocket Cinema Camera junto de outras câmeras broadcast utilizando o espaço de cores REC 709.

Botões LUT

Os ícones dos botões ao longo da tela “LUTs” na parte inferior correspondem às seguintes funções:

			
Carregar	Mídia	Gerenciar	Remover

Importar LUTs

Para importar uma LUT 3D, toque no ícone “Gerenciar” na parte inferior do menu “LUTs”. Toque em “Importar LUTs” e, depois, toque em “Importar” para confirmar. Esta ação ativará a tela de importação. Se sua LUT 3D favorita não aparecer no cartão ou na unidade ativa, alterne entre as mídias de gravação tocando em um botão de mídia na parte superior da tela. Você pode importar LUTs da unidade flash USB-C ou de cartões SD e CFast.

A sua câmera faz a busca no diretório raiz e na pasta “3D LUTs” nas suas mídias selecionadas e listará as LUTs disponíveis. As LUTs salvas em outros locais não estarão visíveis.

Toque em uma LUT para selecioná-la e, depois, toque em “Importar” para confirmar sua seleção e copiá-la no próximo compartimento disponível na câmera.

OBSERVAÇÃO Caso deseje importar uma nova LUT, mas todos os compartimentos de LUTs 3D estejam cheios, será necessário remover uma LUT existente para liberar espaço.

Caso a LUT que você deseja importar tenha o mesmo nome que uma LUT já salva na sua câmera, você poderá substituir a LUT existente ou manter ambas. No canto superior direito da tela, você verá o número restante de compartimentos de LUTs vazios disponíveis na sua câmera. Você pode importar o número de LUTs correspondente ao número de compartimentos vazios disponíveis na sua câmera.

OBSERVAÇÃO Se você tiver problemas com a importação de uma LUT, pode ser devido ao tamanho inadequado. Você pode usar um editor de LUTs, como o Lattice, para verificar seu tamanho, ou abri-la em qualquer editor de texto no seu computador. Próximo à etiqueta “LUT_3D_SIZE”, um número indicando o tamanho da LUT pode ser encontrado. Se este valor não for 17 ou 33, então é possível usar o Lattice para redimensionar sua LUT 3D para 17 pontos.

Aplicar uma LUT

Depois de salvar uma LUT na sua câmera, toque nela no menu “LUT” para selecioná-la e toque no ícone “Carregar”. Esta ação ativará a LUT em todas as saídas da sua câmera. Para exibir agora a LUT carregada nas saídas da sua câmera, habilite “LUT de Exibição” no menu “Monitorar”. Para mais informações, consulte a seção ‘Configurações de Monitoramento’ neste manual.

Exportar LUTs

Para exportar uma LUT para um cartão ou uma unidade flash USB-C, toque na LUT que deseja exportar e, depois, toque no menu “Gerenciar”. Toque em “Exportar LUT Selecionada” e, depois, toque na mídia onde você deseja exportar a LUT. Se uma LUT com o mesmo nome já estiver presente, você pode optar por substituir a LUT ou manter ambas. A câmera exportará a LUT para a pasta “3D LUTs”.

Remover LUTs

Para remover LUTs que você não usa mais ou para liberar espaço para mais tabelas, selecione as LUTs que deseja remover e toque no ícone “Remover”. Ao ser solicitado a confirmar sua escolha, toque em “Remover”.

LUTs 3D Integradas

Quando uma LUT 3D é utilizada ao gravar Blackmagic RAW na Blackmagic Pocket Cinema Camera, a LUT selecionada será integrada ao arquivo Blackmagic RAW que você estiver gravando. Efetivamente, a LUT 3D é salva com os seus arquivos gravados no cabeçalho do arquivo .braw, podendo ser facilmente aplicada às imagens na pós-produção sem a necessidade de trabalhar com um arquivo separado.

Quando os arquivos Blackmagic RAW são entregues ao diretor ou colorista, eles conseguirão acessar a LUT utilizada durante as filmagens, o que reduz drasticamente a possibilidade da LUT 3D incorreta ser aplicada a um clipe. Eles podem então decidir se aplicam a LUT 3D durante a edição ou tratamento das cores das imagens e podem desabilitar a LUT 3D a qualquer momento.

Quando a chave “Aplicar LUT no Arquivo” estiver habilitada no menu de gravação, o clipe gravado será lido pelo Blackmagic RAW Player e DaVinci Resolve com a LUT selecionada aplicada a ele.

A LUT 3D então pode ser facilmente ativada ou desativada, mas sempre acompanhará o arquivo Blackmagic RAW, pois foi gravada no próprio clipe. O DaVinci Resolve também conta com uma chave “Aplicar LUT” na paleta de configurações RAW para habilitar ou desabilitar a LUT 3D no arquivo Blackmagic RAW.

A configuração “Aplicar LUT” no DaVinci Resolve é a mesma configuração encontrada na câmera. Ou seja, ao gravar é possível instruir o colorista a usar a LUT ao defini-la na câmera, mas é possível desabilitá-la com facilidade no DaVinci Resolve ao desativar “Aplicar LUT”.

Inserção de Metadados

Os metadados são informações gravadas dentro do seu clipe, como números de tomada, configurações de câmera e outros detalhes de identificação. Isto é extremamente útil quando você organiza e processa imagens na pós-produção. Por exemplo, os números de tomada, planos e cenas são ferramentas de organização essenciais, enquanto as informações de lente podem ser usadas para remover distorções ou otimizar a correspondência de recursos VFX com fundos automaticamente.

Sua Blackmagic Pocket Cinema Camera salva alguns metadados automaticamente em cada clipe, como as configurações de câmera, código de tempo, data e hora. É possível usar a claquete da sua câmera para incluir informações adicionais.

Claquete

Deslize para a esquerda ou direita na tela de toque da sua câmera a partir da visualização principal para acessar a claquete.

A claquete é dividida em duas abas, “Clipe” e “Projeto”. A aba “Clipe” contém informações que variam de acordo com o clipe, enquanto “Projeto” é onde você insere os detalhes comuns dos clipes, como o nome do projeto, diretor e a identificação de câmera e operador.

DICA Os metadados inseridos na claquete são visíveis na saída HDMI quando configurada com a visualização “Diretor”. Consulte a seção ‘Configurações de Monitoramento’ deste manual para mais informações.

Metadados de Clipe

A aplicação de alterações nos metadados do clipe funciona no modo de espera de forma diferente do modo de reprodução. No modo de espera, quando sua câmera está pronta para gravar, os metadados do clipe são salvos no próximo clipe gravado, com a exceção do botão “Último Clipe Tomada Boa”, que aplica um rótulo “Tomada Boa” no clipe gravado mais recentemente. No modo de reprodução, quando você está verificando as imagens já filmadas, o botão “Tomada Boa” é exibido e os metadados do clipe são sempre anexados ao clipe atual sendo visualizado.



Quando a câmera está no modo de reprodução, “Claquete Para” identifica o clipe aplicado à claquete e exibe o botão “Tomada Boa”. No modo de espera, a claquete é para “Próximo Clipe” e exibe o botão “Último Clipe Tomada Boa”.

Claquete Para

Esta configuração exibe o clipe cujos metadados sendo atualmente exibidos se referem. No modo de reprodução, este recurso é aplicado ao clipe atual, e no modo de espera, ele se refere ao próximo clipe a ser gravado.

Dados da Lente

Estas configurações exibem informações sobre a lente atualmente fixada na sua câmera. Muitas lentes eletrônicas fornecerão informações como modelo, abertura e distância focal automaticamente. Caso esteja usando uma lente que não forneça essas informações ou caso deseje inserir metadados adicionais, é possível tocar no ícone de lápis desta configuração para inserir as informações manualmente. Esta ação ativará o menu “Dados da Lente”, que contém as informações a seguir:



Menu “Dados da Lente” exibindo as informações populadas automaticamente de uma lente fixada e informações de filtro inseridas manualmente.

- **Tipo de Lente**

Exibe o modelo da lente. Caso o seu tipo de lente não seja exibido aqui automaticamente, você pode tocar nesta configuração para inserir os dados manualmente. Sua câmera possui um banco de dados interno para as lentes mais comumente usadas. Então, caso precise inserir dados manualmente, sua câmera irá sugerir nomes automaticamente conforme você digita. Isto agiliza o processo de inserção de dados.



Utilize o teclado de toque para inserir os dados da lente caso não sejam fornecidos automaticamente.

- **Íris**

Exibe a configuração de abertura da íris no início do seu clipe. Esta informação pode ser exibida em f-stops ou T-stops, dependendo da lente usada, se fornecida automaticamente. Toque nesta configuração para inserir dados manualmente.

- **Distância Focal**

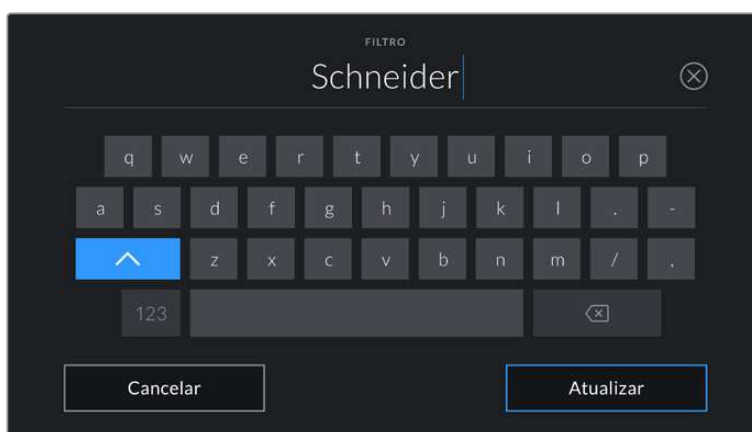
Exibe a configuração de distância focal da lente no início de um clipe gravado. Se fornecida automaticamente, ela será exibida em milímetros. Toque nesta configuração para inserir a distância focal manualmente.

- **Distância**

Exibe as configurações de distância focal da lente para o clipe gravado. Algumas lentes podem fornecer esses dados automaticamente e serão providenciados em milímetros. Também é possível inserir os dados manualmente.

- **Filtro**

Exibe os filtros de lente sendo usados no momento. Toque nesta configuração para inserir dados manualmente. É possível fazer inserções múltiplas separadas por vírgula.



As informações de filtro precisam ser inseridas manualmente.

OBSERVAÇÃO É possível limpar os dados da lente a qualquer momento ao tocar no ícone “Redefinir” no menu “Dados de Lente”. Será solicitado que você confirme sua seleção. Caso confirme, todos os dados da lente serão removidos e repopulados automaticamente com os dados de lente fornecidos pela lente atualmente encaixada. Caso tenha inserido qualquer informação nestes campos manualmente, será necessário restaurar os dados de lente na próxima vez que encaixar uma lente, caso contrário os dados inseridos manualmente permanecerão válidos.

Rolo

Exibe o rolo atual.

Sua Blackmagic Pocket Cinema Camera incrementa os números de rolo automaticamente, na maioria das vezes não há necessidade de inseri-los manualmente. Quando estiver passando para um projeto novo e desejar recomeçar a partir do rolo “1”, acesse a aba “Projeto” da claquete e toque em “Redefinir”.

Cena

O indicador “Cena” exibe o número de cena atual e também pode exibir o número e tipo do plano atual.

O número neste indicador sempre se refere à cena atual. É possível ajustar o número usando as setas esquerda ou direita em cada lateral do número de cena ou tocando no número de cena para editá-lo.

Os números de cena variam entre 1 e 9999.

Ao acrescentar uma letra ao número de cena no editor do número de cena, também é possível indicar o plano atual. Por exemplo, 23A indicaria cena vinte e três, plano um. Caso tenha uma letra de plano adicionada ao seu número de cena, a sua câmera recomendará o próximo número de cena e a letra do plano sempre que você editar o número de cena. Por exemplo, se seu número de cena atual for 7B, a câmera recomendará “8” e “7C”.

O indicador do número de cena também exibe as informações sobre o tipo de plano atual no canto superior direito. É possível selecioná-los no editor do número de cena no lado direito do teclado.

Os tipos de planos disponíveis incluem:

PG	plano geral
PM	plano médio
MPP	plano médio fechado
PP	primeiro plano
PPP	primeiríssimo plano
PD	plano detalhe



Ao inserir metadados de cena, a câmera recomendará números de cena à esquerda do teclado de toque e tipos de plano à direita.

Tomada

O indicador “Tomada” exibe o número da tomada para o plano atual. É possível fazer ajustes nas setas esquerda e direita em cada lateral do número da tomada ou tocando no indicador para editar o número de tomada.

DICA À medida que o número do plano ou a letra da cena avançarem, o número da tomada será revertido para “1”.

É possível adicionar descrições no editor do número de tomadas. Elas são fornecidas à direita do número de tomada no teclado e correspondem aos seguintes cenários:

P/U	Do termo inglês “Pick up”. Refere-se a uma refilmagem de uma tomada anterior para adicionar material extra após a conclusão das filmagens principais.
VFX	Do termo inglês “Visual effects”. Refere-se a uma tomada ou plano gravado para uso com efeitos visuais.
SER	Do termo inglês “Series”. Refere-se a uma situação em que múltiplas tomadas são gravadas enquanto a câmera permanece operando.



Toque em “A” para habilitar o incremento automático de tomadas no modo de espera. Esta ação avançará o número de cada tomada para cada clipe gravado automaticamente. Um pequeno “A” aparecerá junto do número da tomada na claquete quando o recurso for ativado.

Ao inserir os metadados da tomada, sua Blackmagic Pocket Cinema Camera oferecerá opções para tipos de plano adicionais à direita do teclado de toque.

Tomada Boa

Toque no indicador “Tomada Boa” para marcar boas tomadas e recuperá-las com facilidade na pós-produção. Este botão aplica a marcação “Tomada Boa” ao clipe sendo visualizado no modo de reprodução no momento. Se a câmera estiver no modo de espera e pronta para gravar, o botão “Último Clipe Tomada Boa” aplica uma marcação “Tomada Boa” ao último clipe gravado.

Int / Ext

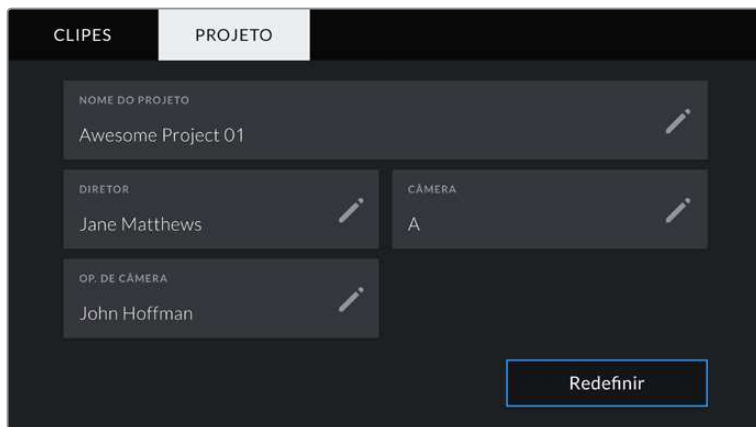
Toque em “Int” ou “Ext” para adicionar uma marcação “Interna” ou “Externa” ao próximo clipe no modo de espera, ou ao clipe atual no modo de reprodução.

Dia / Noite

Toque nos ícones “Dia” ou “Noite” para adicionar uma marcação para o “dia” ou a “noite”, respectivamente, ao próximo clipe no modo de espera, ou ao clipe atual no modo de reprodução.

Metadados de Projeto

Os metadados do projeto se comportam da mesma maneira tanto no modo de espera quanto no modo de reprodução. Esses metadados sempre se referem ao seu projeto como um todo e são independentes da numeração de clipes.



Insira os detalhes de projeto usando a aba “Projeto” na claquete da sua câmera.

Nome do Projeto

Exibe o nome do seu projeto atual. Toque no ícone de lápis para alterar o nome do projeto.

Diretor

Exibe o nome do diretor para o projeto atual. Toque no ícone de lápis para alterar o nome do diretor.

Câmera

Exibe uma numeração de câmera de letra única. Toque no ícone de lápis para alterar a numeração de câmera.

Op de Câmera

Exibe o operador de câmera. Toque no ícone de lápis para alterar o nome do operador de câmera.

Saída de Vídeo da Câmera

Saída de Monitoramento HD

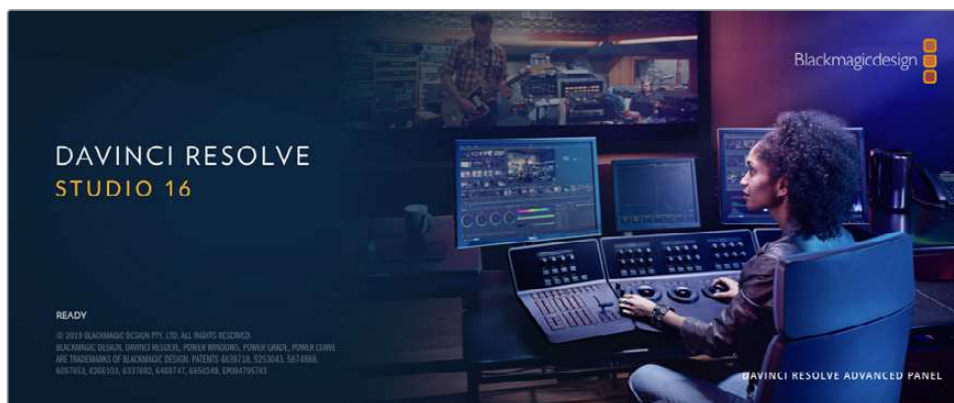
O conector HDMI de tamanho grande da câmera envia vídeos 1080p HD, assim é possível se conectar facilmente aos monitores ou até a televisores domésticos para pré-visualização das imagens. Esta saída de 10 bits também é compatível com sobreposições na tela e HDR exibindo o status completo da câmera, o que é ideal para monitoramento no set.

O monitoramento HDMI pode ser muito útil quando o acesso ao LCD é inviável, por exemplo quando a câmera é fixada em gruas altas, guindastes ou montada em um veículo. As informações de monitoramento são exibidas na saída HDMI ao ajustar as opções de sobreposições HDMI no menu de configurações do display. As sobreposições HDMI oferecem guias de enquadramento e informações como detalhes de gravação e configurações de câmera. Caso queira simplesmente monitorar as suas imagens, é sempre possível desabilitar as sobreposições para obter uma saída HDMI limpa.

Com conversores como o Blackmagic Micro Converter HDMI to SDI, você pode converter o sinal para SDI, permitindo a conexão com monitores SDI, dispositivos de captação, switchers broadcast, entre outros dispositivos SDI. Você pode inclusive alimentar o Blackmagic Micro Converter HDMI to SDI via a porta USB da sua Blackmagic Pocket Cinema Camera.

Usar o DaVinci Resolve

As filmagens na sua Blackmagic Pocket Cinema Camera constituem apenas uma parte do processo de criação de conteúdo cinematográfico e televisivo, e isso é tão importante quanto o processo de gerenciamento e backup de mídias, assim como edição, correção de cores e codificação dos arquivos master finais. A sua Blackmagic Pocket Cinema Camera inclui uma versão do DaVinci Resolve Studio para macOS e Windows para que você tenha uma solução completa de gravação e pós-produção!



OBSERVAÇÃO Recomendamos usar a versão mais recente do DaVinci Resolve para o tratamento preciso das cores dos clipes gravados com as câmeras Blackmagic Pocket Cinema Camera. A versão 16 ou mais recente fornecerá cores precisas para todas as câmeras Blackmagic e os últimos recursos do Blackmagic RAW.

Após conectar seu cartão CFast, SD ou SSD ao seu computador, é possível usar a ferramenta “Clone” na página de mídias do DaVinci Resolve para criar backups em operação durante as filmagens. Isto é recomendado, já que qualquer tipo de mídia é susceptível a danificar-se ou apresentar uma avaria, portanto a criação de backups garante que suas imagens fiquem imunes à perda de dados. Depois que tiver usado o DaVinci Resolve para fazer cópias de segurança das suas mídias, será possível adicionar seus clipes ao pool de mídia do DaVinci, editá-los, corrigir as cores e finalizar sua produção sem nunca ter que sair do programa.

O DaVinci Resolve é a mesma ferramenta usada na maioria dos blockbusters, então ele é muito mais do que uma simples ferramenta de software NLE, já que possui uma tecnologia extremamente avançada integrada para cinema digital de alto nível. Você pode tirar proveito dessa tecnologia quando usar o DaVinci Resolve para editar e corrigir as cores do seu trabalho.

Algumas informações sobre como começar a usar o DaVinci Resolve com seus arquivos de câmera foram incluídas neste manual. Obviamente, o DaVinci Resolve é extremamente avançado e conta com muito mais recursos que aparenta ter no primeiro instante quando você se depara com sua interface de usuário. Para saber mais sobre como usar o DaVinci Resolve, consulte o manual de instruções DaVinci Resolve no site da Blackmagic Design, onde você também poderá encontrar muitos cursos de treinamento e tutoriais em vídeo.

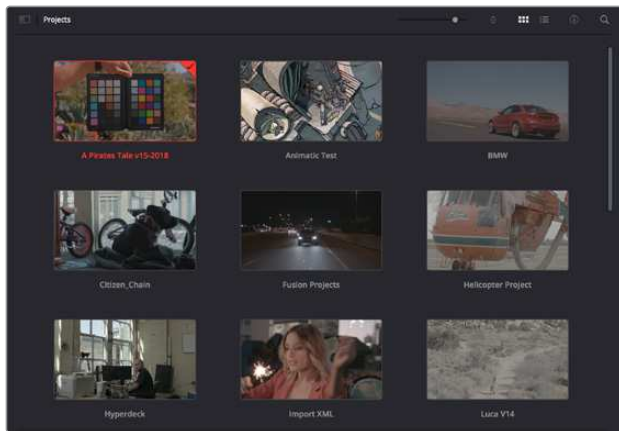
Gerente de Projetos

Antes de importar os seus clipes e começar a editar, será necessário definir seu projeto usando o gerente de projetos.

O gerente de projetos é a primeira tela que você verá ao iniciar o DaVinci Resolve, mas você pode abrir o gerenciamento a qualquer momento ao clicar no ícone de “casa” no canto inferior direito da interface do usuário. Isto é útil quando você deseja abrir projetos anteriores e criar novos projetos.

Para criar um novo projeto, clique em “Novo Projeto” na parte inferior da janela e dê um nome ao seu projeto. Clique em “Criar”.

Usando a página Corte, você pode começar a sua montagem imediatamente.



O gerente de projeto exibe todos os projetos que pertencem ao usuário atual.

Para mais informações sobre o Gerente de Projetos, consulte o manual DaVinci Resolve que está disponível para download na página de suporte no site da Blackmagic Design.

Editar com a Página Corte

A página Corte oferece um fluxo de trabalho rápido e dinâmico que permite que você monte, apare e edite clipes eficientemente.

Duas linhas de tempo ativas permitem que você trabalhe com toda a sua edição, além de uma área detalhada simultaneamente. Isso significa que você pode arrastar clipes para qualquer lugar em uma linha de tempo grande e depois refine sua edição em uma linha de tempo detalhada dentro da mesma área de trabalho. Ao usar este fluxo de trabalho, você pode editar em um laptop sem a necessidade de ampliar e reduzir o zoom e rolar conforme você trabalha, o que pode poupar bastante tempo.

Layout da Página Corte

Ao abrir a página Corte, você verá o pool de mídias, a janela do visualizador e a linha de tempo. Estas três janelas principais oferecem controle completo da sua edição.



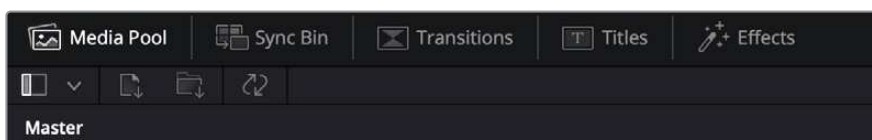
A área de trabalho padrão da página Corte, com visualização de ícones no pool de mídia.

Para mais informações sobre a página Corte, consulte o capítulo “Using the Cut Page” no manual do DaVinci Resolve.

Abas de Mídia

No canto superior esquerdo da interface do usuário você visualizará cinco abas.

Clique nessas abas para abrir os kits de ferramentas a serem usados ao criar sua edição. Por exemplo, a primeira aba é o pool de mídia e perceba que já está selecionada. As outras abas são para o ficheiro sincronizado, transições de mídias, títulos e efeitos.



- **Pool de Mídia:** O pool de mídia contém todos os seus cliques, ficheiros e arquivos importados usando a página de mídias. Você também pode importar arquivos diretamente da página Corte, assim não é necessário retornar à página de mídias se você quiser importar um clipe novo.
- **Ficheiro Sincronizado:** Este recurso eficaz sincroniza todos os seus cliques automaticamente via código de tempo, data e hora, para que você possa selecionar os ângulos de todas as câmeras em um projeto multicâmera.
- **Transições:** Se você clicar na aba de transições vizinha, você visualizará todas as transições de vídeo e áudio que podem ser utilizadas na sua edição. Elas incluem transições comuns, como dissoluções cruzadas e cortinas de movimento.
- **Títulos:** A aba “Títulos” fica ao lado das transições. Aqui você pode selecionar o tipo de título que deseja usar. Por exemplo, uma rolagem, texto padrão ou terço inferior. Também há uma lista de modelos Fusion que você pode utilizar para títulos animados mais dinâmicos que podem ser personalizados na página “Fusion” do DaVinci Resolve.
- **Efeitos:** A quinta aba é chamada “Efeitos”. Ela oferece todos os filtros e efeitos diferentes que podem ser utilizados para dar mais vida à sua montagem, por exemplo, desfoque, brilhos e efeitos de lente personalizados. Há muitas opções de efeitos poderosos que podem ser encontrados rapidamente com a ferramenta de busca.

DICA Utilize a ferramenta de busca próxima dos ícones de mídia para encontrar exatamente o que procura. Por exemplo, caso tenha a aba de transições selecionada, digite “dissolução” na ferramenta de busca e apenas os tipos de transição com dissolução aparecerão no visualizador, tornando a busca pela transição de dissolução desejada mais rápida.




Abas de Visualização

No canto superior esquerdo da janela do visualizador, você encontrará os botões de modo de visualização.



Os botões de modo de visualização.

Estes botões controlam qual visualizador é atualmente usado, incluindo “Clipe de Origem”, “Fita de Origem” e “Linha de Tempo”. Estes modos de visualização oferecem uma enorme quantidade de controle ao selecionar os cliques para a sua montagem. Vale a pena passar alguns momentos observando como eles funcionam.



	Clipe de Origem	<p>O visualizador do clipe de origem exibe um único clipe do pool de mídia e você pode definir pontos de entrada e saída ao longo de toda a visualização da linha de tempo. Isto oferece maior controle. Selecione um clipe de origem para visualização ao clicar duas vezes em um clipe no pool de mídia ou arrastando-o para o visualizador.</p>
	Fita de Origem	<p>A fita de origem permite que você visualize todos os clipes de origem no pool de mídia. Este poderoso recurso é útil se você quiser pesquisar todos os seus clipes para encontrar um evento específico. Enquanto você passa o cursor de reprodução sobre os clipes, você observará suas miniaturas selecionadas no pool de mídia. Assim, após ter encontrado o clipe que deseja editar, você pode clicar na aba do clipe de origem e seu clipe de origem correspondente aparecerá no visualizador automaticamente.</p> <p>O visualizador de fita de origem realmente permite que você se aproveite da edição não linear, oferecendo a liberdade para trabalhar na sua edição, encontrar planos rapidamente, testar novas ideias e focar no momento.</p>
	Linha de Tempo	<p>O visualizador da linha de tempo permite que você visualize a linha de tempo de edição para que possa reproduzir seu projeto e refinar suas edições.</p>

Importar Clipes no Pool de Mídia

Agora você pode começar a importar as mídias para o seu projeto. Você pode fazer isto na janela do pool de mídia na página Corte usando as ferramentas de importação na parte superior.



Selecione uma das opções de importação para adicionar mídias ao seu projeto.

	Importar Mídias	<p>A opção “Importar Mídias” importará arquivos de mídia individuais selecionados no local do armazenamento.</p>
	Importar Ficheiro de Mídias	<p>Para importar um ficheiro do seu local de armazenamento, selecione a opção “Importar Ficheiro”. Ao importar um ficheiro, o DaVinci Resolve manterá a estrutura do arquivo, tratando cada ficheiro como um ficheiro independente para que você possa navegar entre eles para encontrar seus vídeos e outros arquivos de mídia.</p>

Como importar mídias:

- 1 Clique no ícone para importar arquivos ou importar ficheiros.
- 2 Navegue até seu armazenamento de mídia para obter a mídia que deseja importar.
- 3 Selecione o arquivo ou ficheiro e clique em “Abrir”.

Após adicionar a mídia ao seu projeto, este é um bom momento para salvar suas alterações. O DaVinci Resolve oferece uma opção de salvamento automático rápida e em atividade chamada “Salvar Ao Vivo”. Depois que salvar seu projeto uma vez, “Salvar Ao Vivo” salvará alterações adicionais à medida que você as faz, eliminando o risco de perder o seu trabalho.

Para mais informações sobre o recurso “Salvar Ao Vivo” e outras funções de salvamento automático, consulte o Manual DaVinci Resolve.

Adicionar Clipes à Linha de Tempo

Agora que você está familiarizado com os botões das abas de mídia e dos modos de visualização, você pode abrir o pool de mídia e começar a adicionar clipes rapidamente à sua linha de tempo.



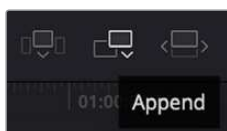
A linha de tempo da página Corte, consiste em uma linha de tempo superior e uma linha de tempo ampliada abaixo.

A linha de tempo é onde você monta a sua edição e é como um tabuleiro com trilhas nas quais você pode colocar seus clipes, deslocá-los e aparar seus cortes. As trilhas permitem distribuir os clipes em camadas sobre outros, o que oferece mais flexibilidade para testar cortes diferentes e criar transições e efeitos. Por exemplo, você pode testar uma edição com um clipe em uma trilha sem afetar os outros clipes na trilha abaixo.

Há diferentes maneiras de adicionar clipes à linha de tempo, como inserção inteligente, anexar, inserir por cima, entre outras.

Anexar Clipes

Ao selecionar tomadas e montar uma edição, é provável que você queira adicionar estes planos um após o outro na linha de tempo. A ferramenta “Anexar” é perfeita para esta tarefa e permitirá que você edite com muita rapidez.



Clique no ícone “Anexar” para adicionar clipes ao fim do último clipe rapidamente.

Como anexar um clipe:

- 1 Clique duas vezes em um clipe no pool de mídia para abri-lo no visualizador.
- 2 Usando a ferramenta aparo de arrasto, arraste os pontos de entrada e saída para selecionar a duração precisa do seu plano. Você pode pressionar as teclas de atalho “I” e “O” no teclado para definir os pontos de entrada e saída.

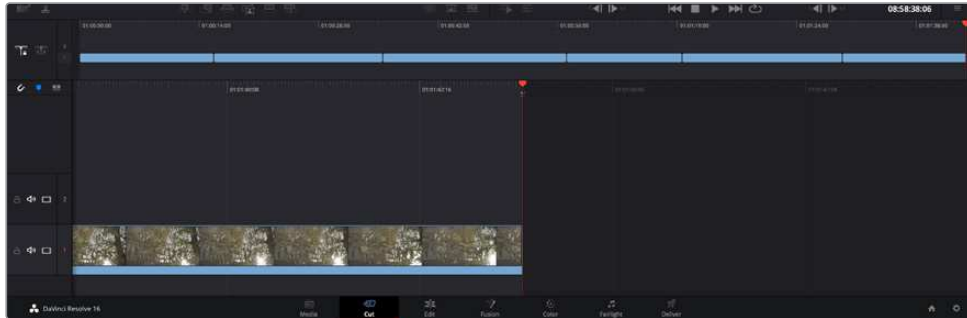


- Agora, clique no ícone Anexar abaixo do pool de mídia.



Seu primeiro clipe será posicionado no início da linha de tempo.

Repita os passos 1 a 3 para continuar adicionando mais clipes e eles serão anexados automaticamente, assegurando que não existam lacunas na linha de tempo.



Anexar clipes assegura que não existam lacunas entre eles na linha de tempo.

DICA Você pode acelerar o processo ainda mais ao atribuir um atalho de teclado para o ícone “Anexar”. Por exemplo, se você atribuir a tecla “P”, você pode selecionar seu ponto de entrada e saída usando “I” e “O” e, depois, apertar “P” para anexar o clipe. Consulte o manual DaVinci Resolve para mais informações sobre como atribuir teclas de atalho.

Editar Clipes na Linha de Tempo

Com clipes adicionados à linha de tempo, você tem controle total para deslocá-los e aparar cortes.

Para aparar um corte, passe o mouse por cima do início ou fim de um clipe, clicando e arrastando para a direita ou esquerda. Por exemplo, arraste o fim de um clipe à direita ou esquerda para diminuir ou aumentar sua duração. Perceba que todos os clipes após esta edição se deslocarão na linha de tempo para acomodar o novo ajuste. Esta é uma das maneiras que a página Corte pode ajudar a poupar seu tempo.

Você pode até pegar o clipe e soltá-lo em uma trilha de vídeo nova na linha de tempo grande sem necessidade de usar o zoom. Isto agiliza o processo de edição porque minimiza o tempo gasto navegando por uma linha de tempo longa.

Depois que tiver terminado a edição dos seus clipes usando a página de cortes, talvez você queira adicionar um título. A próxima seção demonstrará como fazer isto.

Adicionar Títulos

Inserir um título na sua linha de tempo é fácil e há várias opções.

Para visualizar os diferentes tipos de títulos que podem ser usados, clique na aba de mídia “Títulos” no canto superior esquerdo da interface do usuário. Na janela de seleção, você verá todos os geradores de títulos diferentes que você pode utilizar, de terços inferiores e rolagens a um título de texto padrão. É possível, inclusive, adicionar qualquer um dos títulos Fusion que são animados e podem ser personalizados.

Um bom exemplo é adicionar um título padrão.

Como adicionar um título padrão:

- 1 Clique no título “Texto” e arraste-o até a linha de tempo. Não importa qual linha de tempo, mas para mais precisão recomendamos usar a linha de tempo detalhada. Uma nova trilha de vídeo para o título será criada automaticamente e será encaixada no cursor de reprodução.
- 2 Solte o mouse e o título aparecerá na nova trilha. Agora, você pode deslocá-lo ou alterar sua duração como faria com outro clipe de vídeo.
- 3 Para editar o título, clique no clipe do novo título e um ícone de ferramentas aparecerá abaixo do visualizador de clipe. Clique no ícone de ferramentas.

Agora você verá uma nova fileira de ferramentas que podem ser utilizadas para modificar o clipe do título. Por exemplo, transformação, recorte, zoom dinâmico, entre outras. Para este exemplo, clique na ferramenta “Título”.

- 4 Agora, clique em “Abrir Inspetor”.

Isto abrirá a janela do inspetor, onde você pode digitar o título desejado e editar as configurações de texto, por exemplo, rastreamento, espaçamento de linhas, cor, entre outras.

Há muitas opções para personalizar o título exatamente como você deseja. Recomendamos que você teste todas as configurações diferentes para ver como elas alteram a aparência e a forma do seu título.

Trabalhar com Arquivos Blackmagic RAW

Os clipes Blackmagic RAW oferecem flexibilidade máxima na pós-produção. Isto permite fazer ajustes nos clipes, como as configurações de balanço de branco e ISO, como se você estivesse alterando as configurações originais de câmera. Trabalhar com os dados originais do sensor também retém mais informações tonais de sombras e realces, o que é útil para a recuperação de detalhes, por exemplo, em céus estourados ou áreas escuras da imagem.

Vale a pena filmar em Blackmagic RAW caso esteja buscando a qualidade mais alta possível, ou em planos onde há variações extremas de realces e sombras, quando você talvez precise aumentar e diminuir os valores destas regiões o máximo possível na gradação.

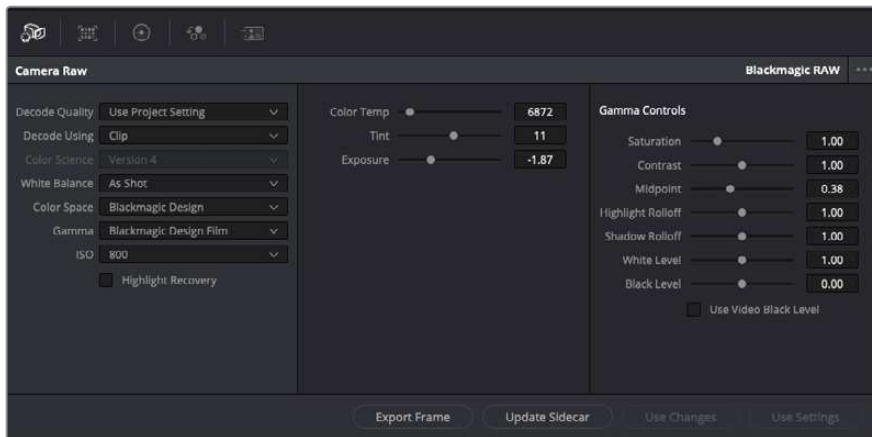
Mas, a rapidez e o tamanho reduzido dos arquivos Blackmagic RAW significam que você não precisa criar arquivos proxy e a reprodução é tal como a de um clipe de vídeo padrão. Esta seção do manual descreve os recursos do Blackmagic RAW e como usar os arquivos Blackmagic RAW no seu fluxo de trabalho DaVinci Resolve.

DICA É uma boa prática ajustar as configurações Blackmagic RAW dos seus clipes na página “Cor” antes de começar o tratamento de cores.

Configurações de Clipes Blackmagic RAW

Ao importar arquivos Blackmagic RAW pela primeira vez, o DaVinci Resolve decodifica os dados do sensor contidos nos arquivos utilizando o ganho, as configurações de balanço de branco e de tonalidade usadas na câmera no momento da gravação. Caso esteja satisfeito com o estado dessas configurações, é possível começar a editar imediatamente.

O mais fantástico das gravações em Blackmagic RAW é que você não fica preso de forma alguma a essas configurações. A abrangência de opções de processamento ao trabalhar com arquivos Blackmagic RAW significa que você pode desenvolver seu próprio fluxo de trabalho com o passar do tempo. As experimentações com as configurações de clipe para cada clipe mostrarão o quão poderoso e flexível pode ser trabalhar com Blackmagic RAW.



Na aba “Câmera Raw”, selecione “Clipe” a partir do menu suspenso “Decodificar Usando” para fazer ajustes nas configurações Blackmagic RAW do seu clipe.

Depois de ter definido o DaVinci Resolve para habilitar as configurações Blackmagic RAW, as configurações de clipe e os controles de gama podem ser ajustados. Ao ajustar essas configurações para otimizar os seus clipes, você pode aproximá-los de uma gradação primária completa. Isto é extremamente eficaz, especialmente ao utilizar os escopos do DaVinci Resolve, que ajudam o usuário a neutralizar e normalizar os clipes para aplicar um look.

As informações abaixo contêm descrições dos controles de clipe e gama:

ISO

O valor ISO pode ser alterado ao aumentar ou diminuir esta configuração. Ela é útil caso precise definir um ponto de partida mais claro ou mais escuro para a otimização.

Recuperação de Realce

Marque a caixa para reconstruir as informações de realce em canais cortados usando informações dos canais não cortados.

Temperatura de Cor

Ajusta a temperatura de cor para deixar a imagem fria ou quente. Ela pode ser utilizada para neutralizar o balanço de cores em cada imagem.

Tonalidade

O ajuste desta configuração adicionará verde ou magenta à imagem para ajudar no balanço das cores.

Exposição

Utilize esta configuração para refinar o brilho geral da imagem.

Saturação

Os controles de saturação são predefinidos em 1 e variam de -1 para saturação mínima a +4 para saturação máxima.

Contraste

Predefinido em 1.0, arraste o deslizador à esquerda para o mínimo de contraste a 0 ou à direita para aumentar o contraste até 2.

Ponto Médio

Com Blackmagic Design Film, seus valores de cinza médio são predefinidos em 0,38 ou 38,4%. Arraste o deslizador à esquerda para diminuir seu ponto médio ou à direita para aumentá-lo para 100. Quando o contraste é ajustado fora da configuração padrão, é possível modificar a modulação de realces e sombras.

Modulação de Realce

Ajuste os realces ao arrastar o deslizador à esquerda para diminuir o valor para 0, ou à direita para aumentar os realces para 2. O valor padrão é 1.

Modulação de Sombras

Arraste o deslizador à esquerda para diminuir as suas sombras para 0 ou à direita para aumentar suas sombras para 2.

Nível de Branco

Ajuste o ponto branco da curva de gama ao arrastar o deslizador do valor máximo de 2 para o valor mínimo de 0. O valor padrão é 1.

Nível de Preto

Aumente o ponto preto da curva de gama personalizada ao arrastar o deslizador para a direita partindo do valor mínimo de -1 para o máximo de 1. O valor padrão é 0.

Usar Nível Preto de Vídeo

Marque a caixa para configurar os níveis de preto para vídeo.

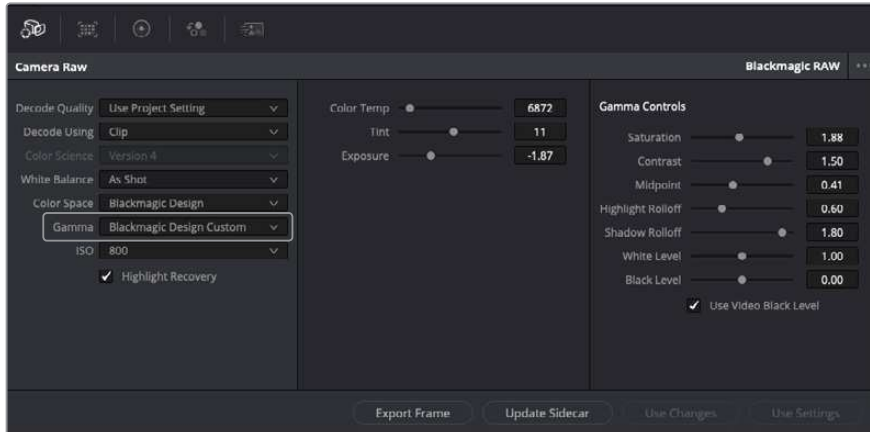
Exportar Quadro

Clicar no botão “Exportar Quadro” permite que você exporte um quadro único do seu clipe Blackmagic RAW.

Atualizar Sidecar

Clique neste botão para atualizar o arquivo sidecar Blackmagic RAW para o clipe atual.

Quaisquer modificações feitas nos clipes Blackmagic RAW serão identificadas pela configuração de gama alterando para Blackmagic Design Customizado.



Caso queira reverter seu clipe para uma das opções de gama padrão disponíveis, basta selecioná-la a partir do menu suspenso de gama.

DICA Os controles de gama são desativados para imagens gravadas com a faixa dinâmica de vídeo, sem perdas dos seus dados Blackmagic RAW. Basta selecionar “Blackmagic Design Filme” ou “Blackmagic Design Vídeo Expandido” no menu suspenso de gama e fazer os seus ajustes.

Como salvar suas alterações Blackmagic RAW:

- 1 Ajuste os controles de gama para o seu clipe Blackmagic RAW.
- 2 Clique no botão “Atualizar Sidecar”.

Um arquivo sidecar agora será criado na mesma pasta do seu arquivo .braw. Quando outro usuário importar os arquivos Blackmagic RAW, os arquivos sidecar serão lidos pelo DaVinci Resolve automaticamente. Se fizer mais ajustes, pressione “Atualizar Sidecar” novamente.

DICA Para remover seu arquivo sidecar, basta deletá-lo da sua localização no seu drive de mídias.

Configurações de Projetos Blackmagic RAW

Caso necessite configurar uma alteração que será comum para todos os clipes, como uma modificação global do balanço de branco ou sensibilidade ISO, é possível definir os clipes que usarão as configurações de “Câmera Raw” do projeto e fazer as modificações.

Como definir as configurações Blackmagic RAW:

- 1 Acesse o menu das configurações do projeto ao clicar em “Arquivo” e selecionar “Configurações de Projeto”.
- 2 Na aba “Câmera Raw”, você verá um menu suspenso junto do perfil RAW. Clique na seta para selecionar Blackmagic RAW na lista.
- 3 Selecione “Projeto” no menu suspenso “Decodificar Usando”.
- 4 Configure o balanço de branco como “Customizado”.
- 5 Selecione “Blackmagic Design Customizado” no menu suspenso de gama. Defina o espaço de cor como “Blackmagic Design”. Esta ação também definirá a configuração gama como “Blackmagic Design Filme”.
- 6 Selecione sua resolução no menu “Qualidade da Decodificação”. Resoluções mais baixas proporcionarão melhores reproduções em sistemas limitados. Você também tem a flexibilidade de alterar para a resolução máxima mais tarde, antes de fazer a entrega, para obter a qualidade mais alta.

Agora, é possível ajustar as configurações de câmera para os seus clipes, como saturação, contraste e ponto médio. Esta ação afetará todos os clipes no seu projeto que estejam configurados para decodificação com a opção “Usar Configuração de Projeto”.

Corrigir Cores dos seus Clipes com a Página Cor

Agora com seus clipes na linha de tempo e os títulos adicionados, você pode começar a corrigir as cores usando a página “Cor”. A página de cores é extremamente eficiente e definirá a aparência geral do seu filme. Mas, para este exemplo, um bom começo é neutralizar todos os seus clipes para que fiquem consistentes. Você também pode retornar à página “Corte” ou “Edição” a qualquer momento se quiser fazer alterações na sua edição.

A página de cores permite que você ajuste o visual da sua edição. De certa forma, a correção de cores é uma forma de arte em si. Ao adicionar a correção de cores, você deixa o seu trabalho mais emocionante. É uma etapa incrivelmente criativa do fluxo de trabalho que é muito gratificante quando você adquire estas habilidades e consegue ver seu trabalho ganhar vida! Geralmente, este é o primeiro passo e é conhecido como correção primária de cores ou ajuste de primárias. Após a correção de cores primária ser feita, você pode então fazer ajustes de correção de cores secundários, que é onde ajustes de cores extremamente precisos em objetos específicos nas suas imagens podem ser realizados. Isso é muito divertido, mas, normalmente é feito depois das primárias porque ajuda a tornar o processo mais eficiente e você obterá melhores resultados.

Primeiro, clique na aba “Cor” para abrir a página do tratamento das cores.

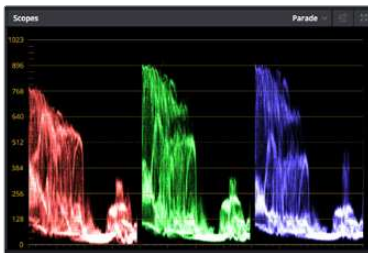
Você verá as configurações de câmera raw, discos de cores, paletas de cores e ferramentas gerais para a correção de cores, assim como a janela de pré-visualização e nós. Não fique apreensivo com a vasta gama de ferramentas perante seus olhos, todas elas estão ali para ajudá-lo a obter imagens com o melhor aspecto possível. Esta seção mostrará o básico, mas para informações mais detalhadas, consulte as seções relevantes no manual.

Elas mostrarão exatamente para que servem todas as ferramentas e como usá-las em passos fáceis de seguir. Você aprenderá as mesmas técnicas que os profissionais usam em instalações para correção de cores de alto nível.

Normalmente, o primeiro passo para a correção de cores primária é otimizar os níveis de sombras, tons médios e realces nos seus clipes. Em outras palavras, ajustar as configurações de pedestal, gama e ganho. Isto ajudará a obter imagens mais brilhantes e de melhor aspecto com um ponto de partida limpo e equilibrado, de onde você pode iniciar a gradação para o visual do seu filme. Para otimizar os níveis, é vantajoso utilizar os escopos.

Usar Escopos

A maioria dos coloristas faz escolhas criativas ao focar na emoção e no visual que desejam para o seu programa e, então, usam o monitor para alcançar esse visual. É possível observar objetos do cotidiano e como diferentes tipos de luz interagem com eles para ter ideias sobre o que você pode fazer com suas imagens e com um pouco de prática.



O escopo padrão ajuda a otimizar realces, tons médios e sombras.

Outra maneira de fazer a gradação de cores é usando os escopos incluídos para ajudar a balancear os planos. É possível abrir um único escopo de vídeo ao clicar no botão “Escopos”, o segundo botão à direita na barra de ferramentas da paleta. Você pode optar pela exibição em forma de onda, padrão, vetorscópico e histograma. Ao utilizar esses escopos, você pode monitorar seu equilíbrio tonal, verificar os níveis do seu vídeo para evitar o esmagamento de pretos e o recorte de realces, além de monitorar quaisquer cores dominantes nos seus clipes.

A paleta “Discos de Cores” contém os controles “Pedestal”, “Gama” e “Ganho”, que geralmente constituem seus ajustes iniciais. Caso tenha experiência com a correção de cores, esses controles devem se assemelhar àqueles encontrados em outros aplicativos para ajustes de cores e contraste.



Os discos de cores “Pedestal”, “Gama”, “Ganho” e “Deslocamento” oferecem controle total sobre o balanço de cores e o equilíbrio tonal dos seus clipes. Para realizar um ajuste uniforme de todas as cores para cada região tonal, arraste o dial abaixo dos discos de cores para frente e para trás.

Para um controle mais preciso de cada cor usando um mouse, é possível alterar os discos de cores para barras primárias, que permitem que você ajuste cada canal de cor e luminância para os controles de pedestal, gama e ganho separadamente. Basta selecionar “Barras Primárias” no menu suspenso próximo ao canto direito dos discos de cores.

- **Ajuste de pedestal:** Com seu clipe selecionado na linha de tempo das cores, clique no controle giratório “Pedestal” abaixo do primeiro disco de cores. Deslize-o para frente ou para trás para ver como sua imagem será afetada. Você observará que o brilho das regiões escuras da sua imagem aumentará e diminuirá.

Defina onde você deseja aprimorar as áreas escuras. Caso diminua bastante o pedestal, você perderá os detalhes dos pretos e poderá usar o escopo de padrão para ajudar a evitar isso. A posição ideal para os pretos na forma de onda é logo acima da linha inferior do escopo de padrão.

- **Ajuste de ganho:** Clique no controle giratório “Ganho” e deslize-o para frente e para trás. Isto ajusta os realces, que são as áreas mais brilhantes do seu clipe. Os realces são exibidos na parte superior da forma de onda no escopo de padrão. Para um plano bem iluminado, a melhor posição é logo abaixo da linha superior do escopo em forma de onda. Caso os realces ultrapassem a linha superior do escopo de forma de onda, eles serão recortados e você perderá os detalhes nas regiões mais brilhantes da sua imagem.
- **Ajuste de gama:** Clique no controle giratório “Gama” abaixo do disco de cores e deslize-o para frente ou para trás. À medida que você aumenta o gama, você verá que o brilho da imagem aumenta. Repare que a região central da forma de onda também se move enquanto você ajusta o gama. Isto representa os tons médios do seu clipe. A posição ideal para os tons médios geralmente fica entre 50 e 70% no escopo de forma de onda. Contudo, isto pode ser subjetivo com base no look que você estiver criando e nas condições de iluminação no clipe.

Também é possível usar a paleta de curvas para fazer correções de cores primárias. Basta clicar nela para criar pontos de controle na linha diagonal dentro do gráfico de curva e arrastá-los para cima ou para baixo para ajustar o contraste RGB mestre em diferentes áreas de tonalidade da imagem. Os pontos ideais para o ajuste são os do terço inferior, meio e terço superior na linha da curva.

Existem várias outras maneiras de fazer correções primárias de cores no DaVinci Resolve.



A paleta de curvas é outra ferramenta que pode ser usada para fazer correções primárias de cores, ou melhorar a qualidade de áreas específicas do seu clipe quando usar uma power window.

Correção Secundária de Cores

Caso queira ajustar uma parte específica da sua imagem, então as correções secundárias serão necessárias. Os ajustes que você tem feito até agora usando os discos de cores e os ajustes de pedestal, gama e ganho afetam a imagem inteira, ao mesmo tempo, por isso são chamados de correções primárias das cores.

Mas, caso seja necessário ajustar partes específicas da sua imagem, digamos, por exemplo, que você queira melhorar a cor da grama em uma cena ou aprofundar o azul de um céu, então você pode usar as correções secundárias. As correções de cores secundárias ocorrem quando você seleciona uma parte da imagem e ajusta apenas aquela parte. Com os nós, você pode empilhar múltiplas correções secundárias para que possa continuar trabalhando em partes diferentes da imagem até que tudo

esteja perfeito! Você pode até usar as janelas e o rastreamento para permitir que as seleções sigam o movimento nas suas imagens.

Qualificar uma Cor

Muitas vezes, você encontrará uma cor específica no seu clipe que pode ser destacada como, por exemplo, o mato ao lado de uma estrada ou o azul de um céu, ou você pode precisar ajustar a cor de um objeto específico para que o público preste atenção nele. É possível fazer isto com facilidade usando a ferramenta Qualificador HSL.



Usar o recurso Qualificador HSL para selecionar cores na sua imagem é útil quando você deseja fazer áreas da sua imagem saltarem, adicionar contraste ou ajudar a chamar a atenção do público para certas áreas do seu plano de imagem.

Como qualificar uma cor:

- 1 Adicione um novo nó serial.
- 2 Abra a paleta “Qualificador” e certifique-se de que a ferramenta conta-gotas esteja selecionada.
- 3 No seu clipe, clique na cor que você deseja afetar.
- 4 Normalmente, você terá que fazer alguns ajustes para suavizar as arestas da sua seleção e limitar a região para apenas a cor desejada. Clique no botão “Realce” sobre o visualizador para ver sua seleção.
- 5 Ajuste o controle “Largura” na janela “Matiz” para alargar ou restringir sua seleção.

Experimente os controles “Alto”, “Baixo” e “Suavidade” para ver como aperfeiçoar sua seleção. Agora, você pode fazer correções para a cor selecionada usando os discos de cores ou as curvas personalizadas.

Ocasionalmente, sua seleção pode vazar para áreas da imagem que você não quer afetar. É possível ocultar as áreas indesejadas usando uma power window. Basta criar uma nova janela e moldá-la para selecionar apenas a área da cor desejada. Caso sua cor selecionada se mova com o plano, você pode usar o recurso de rastreamento para rastrear sua power window.

Adicionar uma Power Window

O recurso power windows é uma ferramenta de correção secundária de cores extremamente eficaz que pode ser usada para isolar regiões específicas dos seus clipes. Estas regiões não precisam ser estáticas, mas podem ser rastreadas com movimentos panorâmicos, inclinações ou rotações de câmera, além do próprio movimento da região.



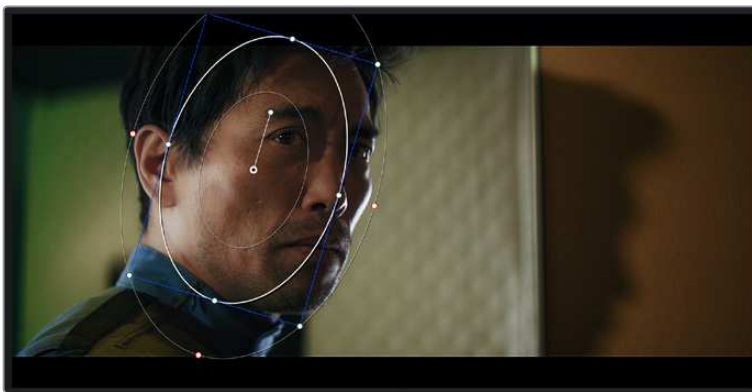
Use as power windows para ocultar áreas que você não deseja que sejam afetadas pelos ajustes secundários do qualificador HSL.

Por exemplo, você pode rastrear uma janela em uma pessoa para fazer ajustes de cor e contraste apenas nesta pessoa sem afetar os arredores dela. Ao fazer correções desse tipo, você pode exercer influência sobre a atenção do público para que olhem para as áreas desejadas.

Como adicionar uma power window ao seu clipe:

- 1 Adicione um novo nó serial.
- 2 Abra a paleta de janelas e selecione uma das formas de janela ao clicar em um dos ícones de formas. A sua forma de janela selecionada aparecerá no nó.
- 3 Redimensione a forma ao clicar e arrastar os pontos azuis em torno da forma. Os pontos vermelhos ajustam a suavidade da aresta. É possível posicionar a forma ao clicar no ponto central e movê-lo para a área que você deseja isolar. Gire a janela usando o ponto conectado ao centro.

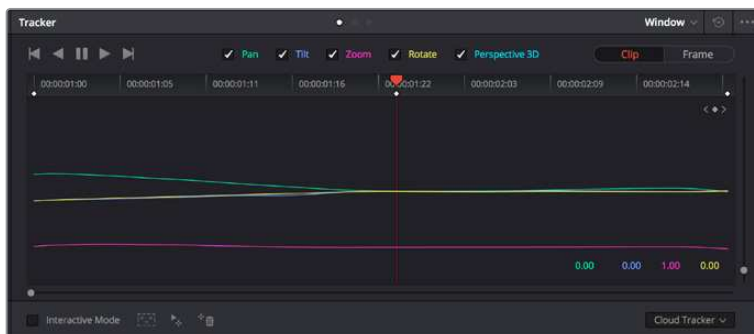
Agora, você pode fazer correções de cores apenas na área desejada da sua imagem.



As power windows permitem fazer correções secundárias em partes específicas da sua imagem.

Rastrear uma Janela

A câmera, o objeto ou a área da sua imagem podem estar em movimento, então para certificar-se de que sua janela permaneça com o objeto ou a área selecionada, você pode usar o poderoso recurso de rastreamento do DaVinci Resolve. O rastreador analisa os movimentos panorâmicos, inclinações, zoom e rotações da câmera ou do objeto no seu clipe para que você possa combinar suas janelas ao movimento. Caso isto não seja feito, sua correção pode sair do destino selecionado e chamar muita atenção, o que é provavelmente indesejado.



É possível rastrear objetos ou áreas no seu clipe usando o recurso rastreador para que as power windows possam seguir a ação.

Como rastrear uma janela em um objeto em movimento:

- 1 Crie um novo nó serial e adicione uma power window.
- 2 Vá até o início do seu clipe e posicione e redimensione a janela para destacar apenas o objeto ou a área desejada.
- 3 Abra a paleta “Rastreador”. Selecione a configuração de panorâmica, inclinação, zoom, rotação e perspectiva 3D apropriada para o movimento no seu clipe ao marcar ou desmarcar as caixas de seleção relevantes para a análise.
- 4 Clique na seta para avançar à esquerda das caixas de seleção. Agora, o DaVinci Resolve aplicará um agrupamento de pontos de rastreamento no seu clipe e, depois, avançará pelos quadros analisando o movimento. Quando o rastreamento estiver concluído, sua power window seguirá o caminho de movimento do seu clipe.

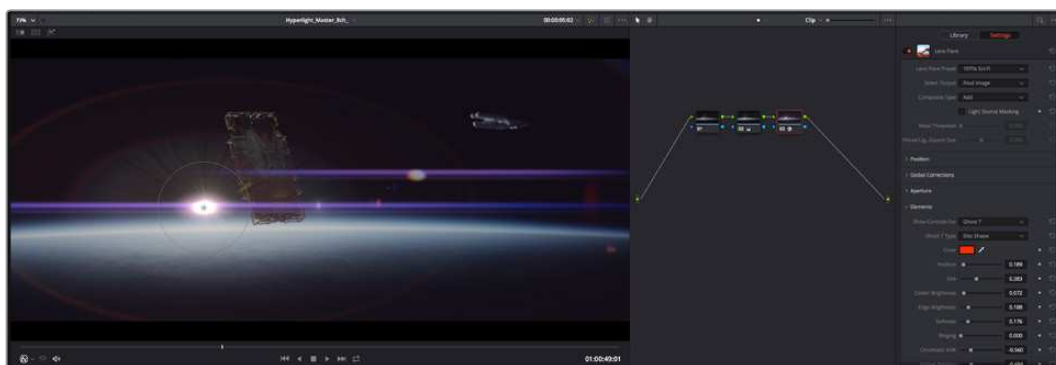
Na maioria das vezes, o rastreamento automático é satisfatório, mas as cenas podem ser complexas e, às vezes, um objeto pode passar na frente da sua área selecionada, interrompendo ou afetando o seu rastro. Isto pode ser resolvido manualmente usando o editor de quadros-chave. Consulte o manual DaVinci Resolve para mais informações.

Usar Plug-ins

Ao fazer correções secundárias você também pode adicionar plug-ins ResolveFX ou OpenFX para criar looks e efeitos rápidos e interessantes usando a página “Cor” ou transições e efeitos criativos nos seus clipes usando a página “Edição”. Os plug-ins ResolveFX são instalados com o DaVinci Resolve, e os plug-ins OFX podem ser adquiridos e baixados através de fornecedores terceiros.

Após instalar um conjunto de plug-ins OFX, você pode acessar esses plug-ins ou os plug-ins ResolveFX na página “Cor” ao abrir o inspetor OpenFX à direita do editor de nós. Depois de criar um novo nó serial, basta clicar no botão “OpenFX” para abrir a biblioteca de efeitos e arrastar e soltar um plug-in no novo nó. Caso o plug-in possua configurações editáveis, será possível ajustá-las no painel adjacente “Configurações”.

Na página “Edição”, é possível adicionar filtros de plug-in, geradores e transições nos clipes ao abrir o painel “OpenFX” na biblioteca de efeitos e arrastar seu plug-in selecionado para a trilha ou clipe de vídeo acima do seu clipe na linha de tempo, dependendo das exigências do plug-in.



Os plug-ins OFX são uma maneira rápida e fácil de criar looks imaginativos e interessantes.

Misturar Seu Áudio

Misturar Áudio na Página de Edição

Após ter editado e feito a correção de cores do seu projeto, você poderá iniciar a sua mixagem de som. O DaVinci Resolve possui um ótimo conjunto de ferramentas para editar, fazer a mixagem e masterizar o áudio para o seu projeto direto da página de edição. Para projetos que exigem ferramentas de áudio mais avançadas, a página “Fairlight” oferece um ambiente de pós-produção de áudio completo. Caso você já esteja familiarizado com a página de edição e deseje passar direto para a página “Fairlight”, ignore esta seção e passe para a próxima.

Adicionar Trilhas de Áudio

Caso esteja trabalhando na página de edição e queira fazer a mixagem de uma edição de som básica com muitos efeitos sonoros e música, é possível adicionar mais trilhas de áudio quando for necessário. Isto pode ser útil ao montar seu som e separar os elementos de áudio em trilhas individuais, por exemplo, em diálogos, efeitos sonoros e música.

Como Adicionar uma Trilha de Áudio na Página Edição

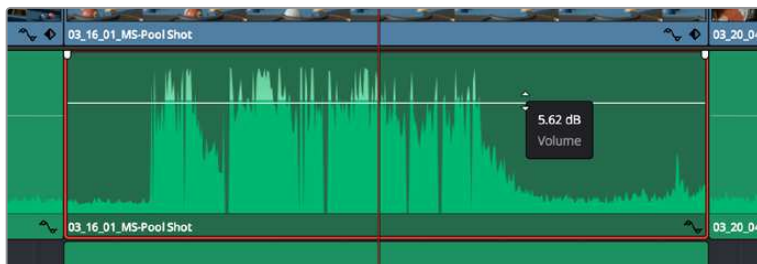
Clique com o botão direito do mouse perto do nome de qualquer trilha de áudio na sua linha de tempo, selecione “Adicionar Trilha” e escolha entre as opções, incluindo “Mono”, “Estéreo” e “5.1”. Isto adicionará a trilha na parte inferior da lista de trilhas. Como alternativa, clique em “Adicionar Trilha” e selecione a posição onde deseja colocar as trilhas.

Sua nova trilha de áudio aparecerá na linha de tempo.

DICA Caso deseje mudar o tipo da trilha após criá-la, clique com o botão direito do mouse no nome da trilha, selecione “Alterar Tipo de Trilha Para” e selecione o tipo de trilha de áudio desejado, como estéreo, mono ou 5.1.

Ajustar Níveis de Áudio na Linha de Tempo

Cada clipe de áudio na linha de tempo possui uma sobreposição de volume que permite ajustar o nível desse clipe ao simplesmente arrastar o cursor para cima ou para baixo. Esta sobreposição corresponde ao parâmetro de volume no “Inspetor”.



Arraste a sobreposição do volume para ajustar o nível do clipe.

Para projetos que exigem ferramentas de áudio mais avançadas, a página “Fairlight” oferece um ambiente de pós-produção de áudio completo.

Página Fairlight

A página “Fairlight” no DaVinci Resolve é onde você ajusta o som do seu projeto. No modo de monitor único, esta página fornece uma visão otimizada das trilhas de áudio do seu projeto, com um mixer alargado e controles de monitoramento personalizados que facilitam a análise e o ajuste dos níveis para criar um mix suave e equilibrado. Não fique apreensivo com a grande quantidade de recursos perante seus olhos, todos eles estão ali para ajudá-lo a obter a melhor qualidade de áudio possível para o seu projeto.



Este guia oferece uma introdução geral básica dos recursos da página “Fairlight”, mas para saber mais sobre todos os detalhes de cada recurso, consulte o manual do DaVinci Resolve. O manual do DaVinci Resolve fornece detalhes sobre o propósito de cada ferramenta e descreve como usá-las em passos fáceis de seguir.

A Linha de Tempo do Áudio

- **Cabeçalho da Trilha:** No lado esquerdo de cada trilha há um cabeçalho que exibe o número, o nome e a cor da trilha, além dos canais de áudio, nível do fader e medidores de áudio. O cabeçalho da trilha também possui controles diferentes para bloquear e desbloquear trilhas, além de controles para isolar e silenciar trilhas. Estes controles podem ajudar a manter suas trilhas organizadas e possibilitam fazer a prévia de uma trilha individual por vez.
- **Trilhas:** Cada trilha na página “Fairlight” é dividida em pistas que exibem cada canal individual de áudio do clipe para a edição e a mixagem. A página de edição oculta esses canais de áudio individuais, exibindo apenas um único clipe na linha de tempo para facilitar a edição de fontes multicanal sem a necessidade de gerenciar grandes quantidades de trilhas.



O cabeçalho de trilha A1 indica uma trilha mono como uma única pista para áudio mono, e o cabeçalho de trilha A2 indica uma trilha estéreo com duas pistas enquadrando o som estéreo.

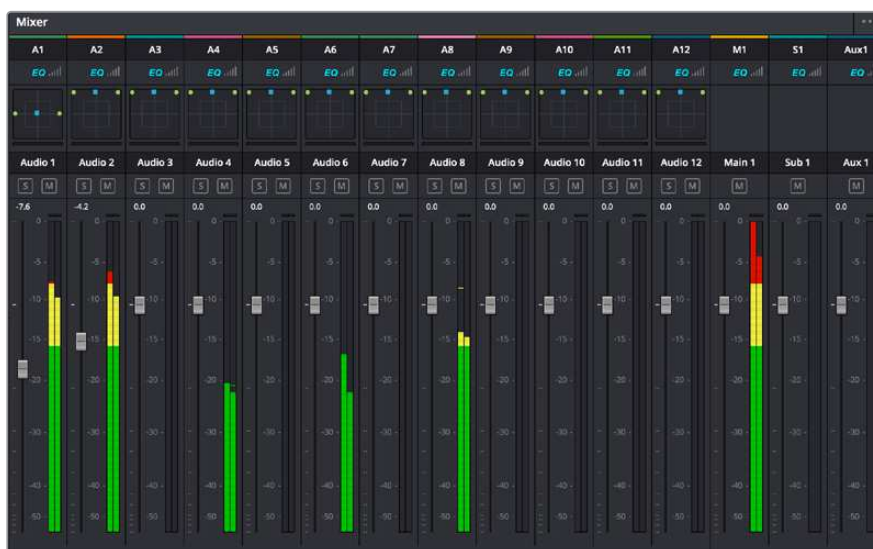
O que é um barramento?

Um barramento é, essencialmente, um canal de destino para o qual você pode rotear múltiplas trilhas de áudio a partir da linha de tempo, assim elas podem ser misturadas em um único sinal que pode ser controlado através de uma única faixa de canal.

- **Barramento Principal:** Os barramentos principais, geralmente, são a saída principal de um programa e cada novo projeto criado é iniciado com um único barramento principal, no qual todas as trilhas são roteadas por padrão. O barramento principal combina todas as trilhas da linha de tempo em um único sinal que possibilita ajustar o nível geral da mixagem de som após o ajuste de cada trilha de áudio individual.
- **Sub-Barramento:** Os sub-barramentos permitem combinar múltiplas trilhas de áudio que pertencem à mesma categoria, como diálogo, música ou efeitos, para que tudo nesta categoria possa ser mixado como um único sinal de áudio. Por exemplo, caso tenha cinco trilhas de diálogo, é possível rotear a saída de todas elas para um barramento submix e, assim, o nível de todos os diálogos pode ser mixado com um conjunto de controles. Este submix pode ser renderizado separadamente ou enviado para o barramento principal para a renderização.

O Mixer

Cada trilha de áudio na sua linha de tempo corresponde a uma faixa de canal de áudio individual no mixer e, por padrão, há uma única faixa à direita para o barramento principal rotulada “M1”. Faixas de canal adicionais aparecerão no lado direito com um conjunto de controles para cada barramento principal e submix criada. Um conjunto de controles gráficos possibilita atribuir os canais de áudio para a saída final dos canais, ajustar EQ e dinâmica, configurar níveis e gravar automação, aplicar panorâmica em áudio estéreo e surround, e silenciar ou isolar trilhas.

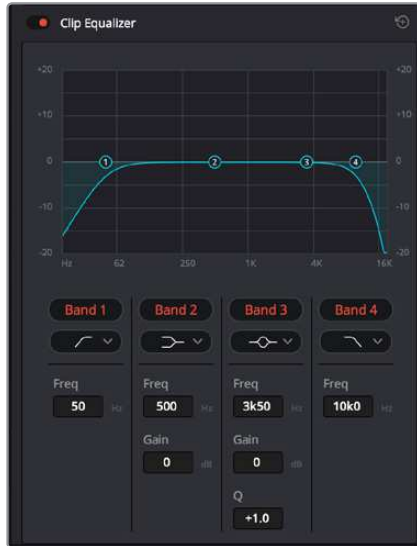


O mixer de áudio com as faixas de canal correspondendo às trilhas na linha de tempo.

Usar o Equalizador para Otimizar Seu Áudio

Após ajustar os níveis de áudio dos clipes de áudio no seu projeto, talvez seja necessário fazer mais ajustes finos no áudio. Em alguns casos, é possível que o diálogo, música e efeitos sonoros estejam competindo pela mesma frequência do espectro sonoro, fazendo com que o seu som fique sobrecarregado e confuso. É aqui que o uso de EQ pode ajudar, já que ele possibilita designar qual parte do espectro sonoro cada trilha deve ocupar. Também é possível usar um equalizador para ajudar a remover elementos indesejados do seu áudio ao isolar e reduzir o nível de frequências específicas contendo roncoss, zumbidos, ruídos de vento e assobios, ou simplesmente para fazer o áudio soar melhor.

O DaVinci Resolve fornece filtros EQ que podem ser aplicados ao nível de clipe em clipes individuais ou ao nível de trilha para afetar trilhas inteiras. Cada clipe de áudio na linha de tempo possui um equalizador de quatro bandas no painel inspetor e cada trilha possui um equalizador paramétrico de seis bandas no painel do mixer. Os controles gráficos e numéricos para acentuar ou atenuar diferentes intervalos de frequências e os diferentes tipos de filtro possibilitam definir o formato da curva EQ.



O equalizador de quatro bandas pode ser aplicado a todos os clipes na linha de tempo.

As bandas nas extremidades exteriores permitem fazer ajustes de filtro de prateleira alta, prateleira baixa, passa-altas e passa-baixas. Um filtro de banda de passagem afeta todas as frequências acima ou abaixo de uma frequência específica ao remover completamente essas frequências do sinal. Por exemplo, um filtro passa-altas permitirá que altas frequências passem por ele ao cortar as frequências baixas. Quaisquer frequências fora do limite de corte de frequência serão cortadas gradualmente em uma curva inclinada para baixo.

Um filtro de prateleira é menos intenso e é útil quando é necessário delinear a extremidade geral superior ou inferior do sinal sem remover essas frequências por completo. O filtro de prateleira acentua ou corta a frequência alvo e todas as frequências acima ou abaixo dela uniformemente, dependendo de como você usar uma prateleira alta ou baixa.

Os controles de banda centrais possibilitam fazer uma grande variedade de ajustes de equalização, e podem ser alternados entre as opções de filtro prateleira baixa, sino, rejeita-faixa e prateleira alta.

- **Sino:** Os filtros de sino reforçam ou cortam frequências a cerca de um determinado ponto central da curva de sino e, como o próprio nome sugere, a forma da curva é semelhante a um sino.
- **Rejeita-Faixa:** Os filtros rejeita-faixa permitem que você marque um intervalo muito reduzido de frequências especificamente. Por exemplo, remover um zumbido de rede elétrica a 50 ou 60 Hz.
- **Prateleira Baixa:** Os filtros de prateleira baixa aumentam ou cortam a frequência alvo na extremidade inferior e todas as frequências abaixo dela.
- **Prateleira Alta:** Os filtros de prateleira alta aumentam ou cortam a frequência alvo na extremidade superior e todas as frequências acima dela.

Como adicionar EQ a um clipe individual:

- 1 Selecione o clipe ao qual você deseja adicionar o filtro EQ na linha de tempo.
- 2 Clique no inspetor e depois clique no botão de ativação “Equalizador de Clipe”.

Como adicionar EQ a uma trilha:

- 1 Dê um clique duplo na seção EQ em uma das suas trilhas no mixer para abrir o equalizador para essa trilha.
- 2 Selecione o tipo de filtro de banda a partir do menu suspenso para a banda que você deseja ajustar.



A seção EQ no painel do mixer indicando que uma curva EQ foi aplicada à trilha um.



Equalizador paramétrico de 6 bandas que pode ser aplicado a todas as trilhas.

Após ter adicionado o EQ ao seu clipe ou à sua trilha, é possível ajustar o EQ para cada banda. Observe que os controles podem variar dependendo do tipo de filtro de banda selecionado.

Como ajustar o EQ para um filtro de banda:

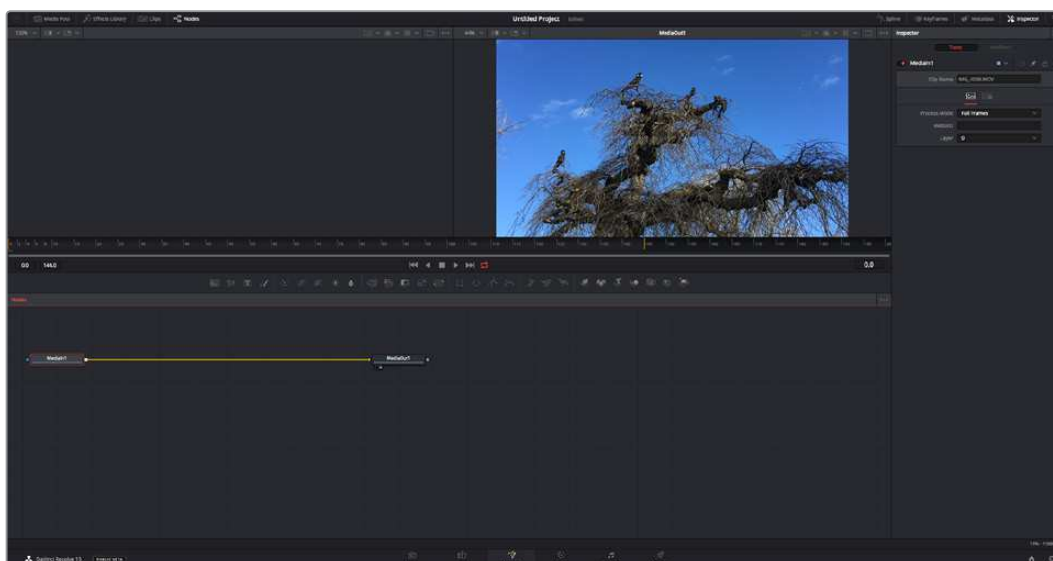
- 1 Selecione o tipo de filtro de banda a partir do menu suspenso para a banda que você deseja ajustar.
- 2 Ajuste o valor de frequência para selecionar a frequência central do ajuste de EQ.
- 3 Ajuste o valor do ganho para acentuar ou atenuar as frequências abrangidas por essa banda.
- 4 Use o valor de "Fator Q" para ajustar a largura das frequências afetadas.

Utilize o botão "Redefinir" para restaurar todos os controles da janela EQ aos seus padrões.

A Fairlight possui muitos controles que você pode usar para melhorar a qualidade de cada trilha de áudio. É possível adicionar mais trilhas e ordenar barramentos para organizá-las, além de adicionar efeitos como atraso ou reverberação, e aperfeiçoar sua mixagem de áudio de um modo geral.

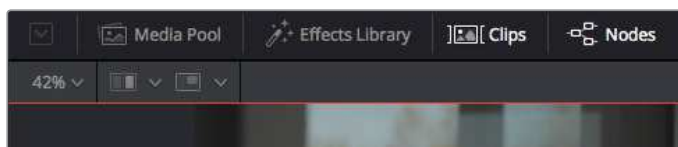
Adicionar VFX e Composições na Página Fusion

Agora que você concluiu sua edição, você pode abrir a página do Fusion para adicionar efeitos visuais e gráficos em movimento 2D ou 3D diretamente no DaVinci Resolve. Diferentemente de programas de composição baseados em camadas, o Fusion utiliza nós, deixando você livre para criar efeitos complexos, enquanto faz o roteamento dos dados das imagens em qualquer direção. A janela de nós indica claramente todas as ferramentas usadas. Se já tiver experimentado o fluxo de trabalho de nós na página de cores, você se sentirá familiarizado.

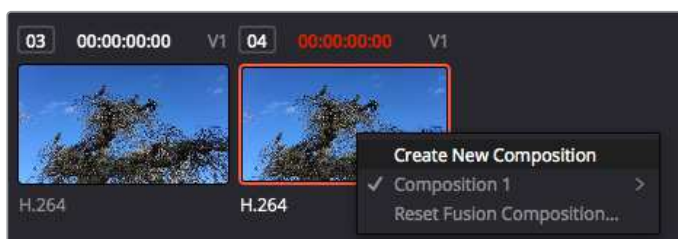


A Página Fusion

A página do Fusion conta com duas janelas de visualização na parte superior com controles de transporte para visualizar suas mídias, uma janela do inspetor à direita para acessar as configurações de ferramentas e uma janela de nós na parte inferior onde você cria suas composições. Embora os visualizadores e os controles de transporte estejam sempre visíveis, clicar nos ícones na barra de ferramentas da interface na parte superior do display permitirá que você exiba ou oculte as janelas do inspetor e dos nós, ou mostre ou oculte janelas adicionais, incluindo a biblioteca de efeitos e editores para quadro-chave e curvas.



- Pool de Mídia:** O pool de mídia funciona da mesma maneira que aparece na página de edição. Basta arrastar as mídias adicionais dos seus compartimentos diretamente na sua composição.
- Biblioteca de Efeitos:** A biblioteca de efeitos é onde você encontra suas ferramentas do Fusion e modelos separados por categorias, incluindo partículas, rastreamento, filtros e geradores. Você pode clicar na ferramenta ou arrastá-la para a área de nós para adicioná-la na sua composição. O pool de mídia e a biblioteca de efeitos ocupam a mesma área da tela, assim é possível alternar entre um e outro para manter seus visualizadores com o maior tamanho possível.
- Clipes:** Clicar na aba “Clipes” mostra ou oculta as miniaturas representando clipes na sua linha de tempo. As miniaturas ficam localizadas abaixo do editor de nós, permitindo que você navegue instantaneamente até outros clipes.



Você pode criar uma versão nova da sua composição clicando com o botão direito do mouse em uma miniatura e selecionando “Criar Nova Composição”.

- **Visualizadores:** Os visualizadores estão sempre visíveis e permitem que você veja as visualizações diferentes da sua composição, como uma perspectiva 3D geral via o nó de mesclagem 3D, uma saída de câmera ou sua saída final renderizada. Esses visualizadores também permitem que você veja como as alterações afetam um elemento específico. Você pode escolher quais nós visualizar clicando em um nó e digitando “1” para o visualizador esquerdo e “2” para o visualizador direito. Ícones de botão brancos aparecem sobre o nó para informá-lo a qual visualizador ele foi atribuído. Caso esteja usando monitoramento de vídeo externo, haverá um terceiro botão disponível para rotear suas mídias ao seu monitor de vídeo externo.

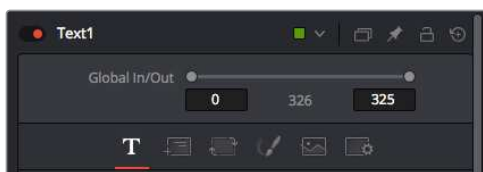
DICA Você também pode atribuir um nó a um visualizador arrastando o nó para o próprio visualizador.

Os controles de transporte abaixo dos visualizadores permitem que você ignore o início ou o final do clipe, avance, volte ou pare a reprodução. A régua de tempo exibe todo o clipe com marcações amarelas indicando os pontos de entrada e saída.



As marcações amarelas na régua de tempo indicam os pontos de entrada e de saída do seu clipe na linha de tempo. Caso esteja usando um clipe do Fusion ou um clipe composto, a régua de tempo mostrará apenas a duração do clipe à medida que ele aparece na linha de tempo, sem alças.

- **Nós:** A janela de nós é o coração da página do Fusion onde você cria sua árvore de nós conectando ferramentas, da saída de um nó para a entrada de outro nó. Esta área mudará de tamanho dependendo de quais editores estiverem abertos, por exemplo, os editores de curvas ou quadros-chave. Uma barra de ferramentas na parte superior da área de nós inclui as ferramentas mais comumente utilizadas para acesso rápido.
- **Curvas:** Quando o editor de curvas estiver aberto, ele aparecerá à direita da janela de nós. Este editor permite que você faça ajustes precisos em cada nó, como suavização da animação entre dois quadros-chave usando curvas bézier.
- **Quadros-Chave:** Os quadros-chave podem ser adicionados, removidos ou modificados para cada ferramenta usando o editor de quadros-chave. Ele também aparece à direita do visualizador de nós.
- **Metadados:** A janela de metadados mostrará seus metadados disponíveis para o clipe ativo, incluindo codec, taxa de quadro e código de tempo.
- **Inspetor:** O inspetor no canto superior direito exibe todas as configurações e modificadores disponíveis para um ou mais nós selecionados. Opções de abas adicionais aparecerão para fornecer acesso rápido a outras configurações para nós separados por categoria.

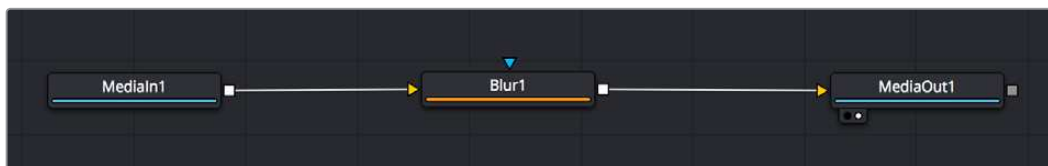


O inspetor de texto contém abas adicionais para texto, layout, transformação, sombreamento, imagem e configuração.

Guia de Introdução ao Fusion

Para começar a usar o Fusion, basta posicionar seu indicador de reprodução sobre qualquer clipe na sua linha de tempo e clicar na aba "Fusion" para abrir a página do Fusion.

Na página do Fusion, seu clipe se disponibiliza imediatamente em um nó de entrada de mídia rotulado "MediaIn". Toda composição começará com um nó "MediaIn" e "MediaOut". Este nó "MediaIn" representa o primeiro clipe na parte superior da sua linha de tempo no indicador de reprodução e ignora quaisquer clipes abaixo. Os ajustes aplicados aos clipes na página de edição, como ferramentas de transformação e alterações de corte, são todos incluídos.



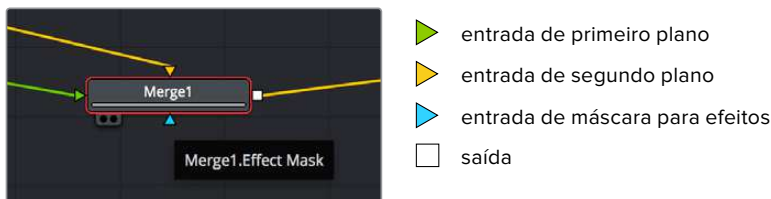
O nó de saída de mídia, chamado "MediaOut", é o nó que reenvia a saída para a linha de tempo na página de edição do DaVinci Resolve.

DICA Os plug-ins ResolveFX ou OFX aplicados nos clipes na página de edição não são aplicados na página Fusion. Isto ocorre porque os efeitos Fusion são implementados antes da correção de cores e do processamento OFX/ResolveFX. Caso queira usar OFX antes dos efeitos Fusion, clique com o botão direito do mouse no clipe na página de edição e selecione "Novo Clipe Fusion" antes de clicar na página do Fusion.

Aprendendo sobre Nós

Cada nó funciona como um ícone visual representando uma única ferramenta ou um efeito. Os nós são conectados a outros nós para criar a composição geral, como os ingredientes de um bolo. É importante entender as entradas e saídas de cada nó, já que isso ajudará você a navegar pelo fluxo da sua composição enquanto cria efeitos visuais cheios de detalhes.

Algumas ferramentas têm múltiplas entradas e saídas para que você possa se conectar a outros nós. O nó de mesclagem, por exemplo, permite anexar uma entrada de primeiro plano, uma entrada de segundo plano e uma entrada da máscara para foscos ou chaves.

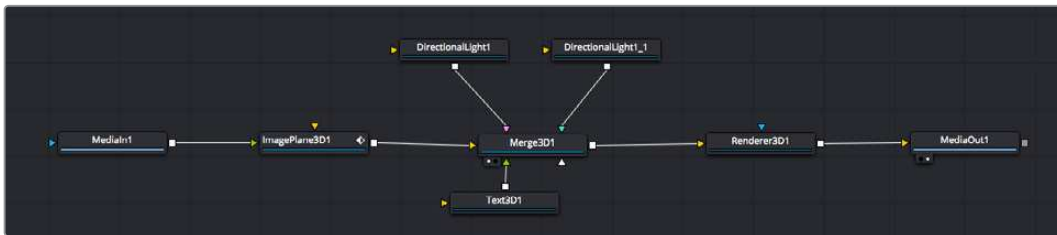


Múltiplas saídas nos nós significam que um único nó pode ser conectado a vários nós diferentes na sua composição, assim você não precisa duplicar clipes como faria em programas baseados em camada. As setas nas linhas entre os nós conectados são excelentes indicadores visuais para mostrar a direção para a qual os dados de imagem estão fluindo.

Adicionar Nós ao Editor de Nó

Adicionar efeitos é tão simples quanto colocar nós nas linhas entre os nós “MediaIn” e “MediaOut”.

Há algumas maneiras diferentes de fazer isso. Você pode segurar o botão shift e soltar um nó entre dois nós ou clicar no nó ao qual deseja incluir um efeito e selecionar a ferramenta que deseja adicionar. O novo nó se conectará automaticamente com a ferramenta selecionada. Você também pode adicionar um nó em qualquer lugar na janela de nós e conectar manualmente os nós arrastando a saída de um deles para a entrada em outro.



A ferramenta mais comumente usada é o nó de mesclagem 2D ou 3D. Este nó é como um hub central que combina ferramentas no editor de nó em uma única saída.

O nó de mesclagem possui controles para a forma como as entradas são gerenciadas, incluindo configurações para tamanho, posição e mesclagem. Essas configurações são todas acessíveis no painel inspetor quando o nó de mesclagem é selecionado.

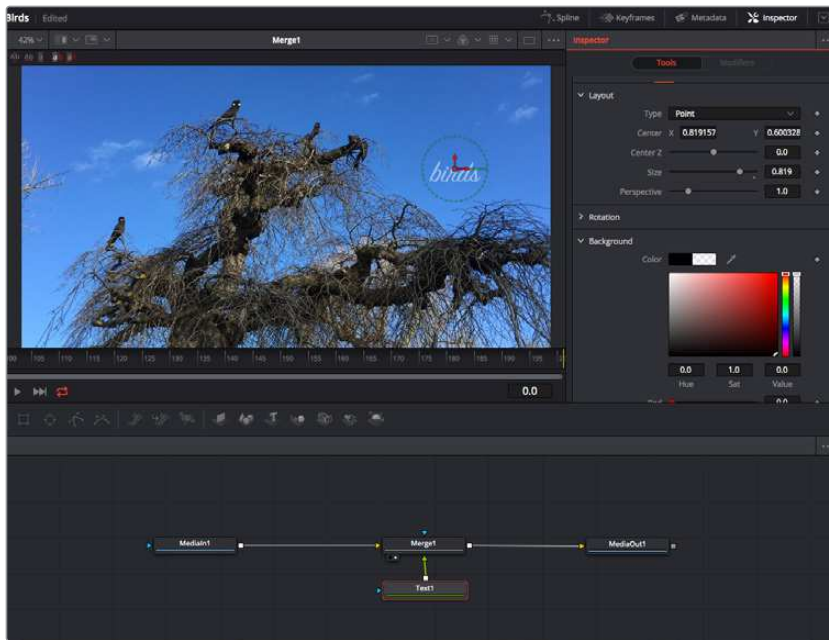
A barra de ferramentas no painel de nós contém as ferramentas mais usadas como ícones que você pode clicar para adicionar o nó ou arrastar a ferramenta para o painel de nó. Caso queira visualizar todas as ferramentas disponíveis, clique em “Biblioteca de Efeitos” no canto superior esquerdo e expanda a opção “Ferramenta”. Aqui, você encontrará todas as ferramentas organizadas por categoria, assim como um conjunto de modelos pré-criados para uso, como reflexos de lente, sombreadores e planos de fundo.

DICA Depois de se familiarizar com os nomes das ferramentas, você pode segurar o botão shift e pressionar a barra de espaço no seu teclado e um menu de seleção de ferramentas aparecerá. À medida que você digita o nome da ferramenta, o menu sugerirá a ferramenta relevante. Esta é uma maneira muito rápida para selecionar a ferramenta desejada.

Ajustar Nós Usando o Painel Inspetor

Ajuste as configurações do seu nó usando o painel inspetor. Basta clicar no nó que deseja modificar e o painel atualizará e exibirá suas configurações e seus controles.

Com o Fusion, você não precisa visualizar o nó que está editando, já que pode modificar um nó enquanto visualiza outro na composição. Por exemplo, você pode modificar o tamanho e a posição central de um nó “Texto+” enquanto o nó de mesclagem estiver no visualizador, possibilitando que você veja o texto relativo ao segundo plano.



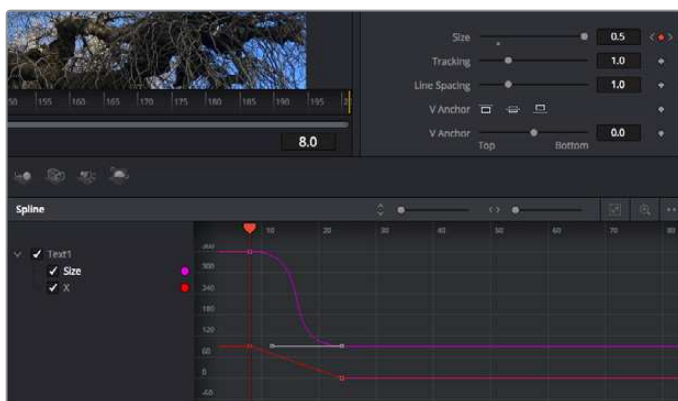
Os nós selecionados aparecem com uma borda vermelha. Aqui o painel inspetor exibe os controles da aba layout para o nó de texto.

Há diferentes parâmetros e configurações para você ajustar cada nó dependendo da tarefa, do tamanho às posições centrais e alterações do número de partículas em um nó emissor. Configurar os quadros-chave e alterar as configurações ao longo do tempo animará o efeito.

Trabalhar com Quadros-Chave

Na janela do inspetor, defina um quadro-chave clicando com o botão direito do mouse em uma configuração e selecionando “Animar” do menu contextual. O ícone do quadro-chave à direita da configuração ficará vermelho. Isto significa que os quadros-chave estão ativos e quaisquer mudanças serão aplicadas somente ao quadro atual. Quando dois ou mais quadros-chave são criados alterando os parâmetros de configuração em um quadro diferente, uma transição é interpolada entre eles. As setas em cada lado do ícone do quadro-chave permitem que você mova o indicador de reprodução para as posições exatas na linha de tempo.

O painel de curvas fornece ainda mais controle sobre a animação de quadros-chave. Você pode selecionar quadros-chave, como o primeiro e o último, e suavizar a animação entre eles em uma curva bézier ao digitar “Shift” + “S” ou clicar com o botão direito do mouse em um quadro-chave e selecionar “Moderar”.



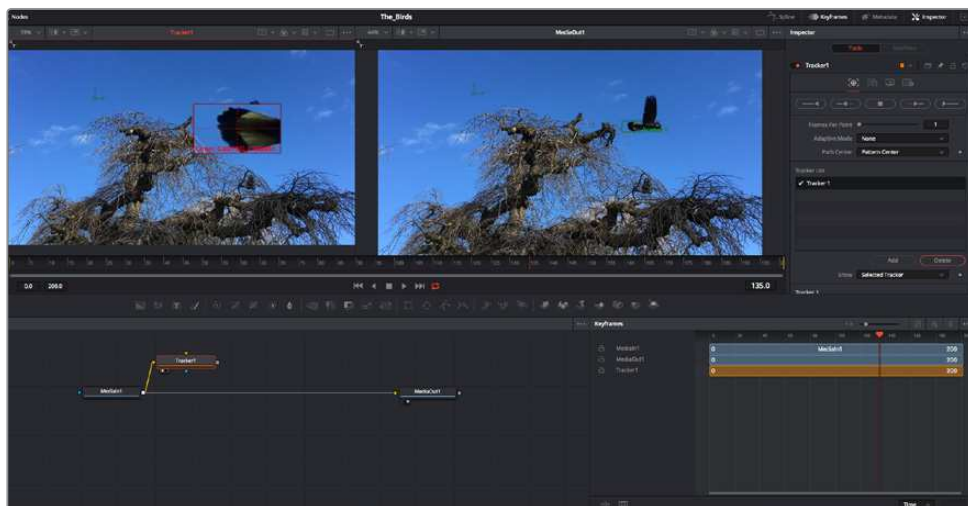
Aqui, a animação de quadro-chave do tamanho foi moderada em uma curva bézier. Você pode clicar nas alças bézier para encurtar ou alongar a curva ou nos ícones quadrados do quadro-chave para mover a posição do quadro-chave.

Usar o Rastreador de Movimento e Adicionar Texto

Para obter uma ideia melhor de como usar o Fusion, incluímos os seguintes exemplos para mostrar como usar a ferramenta rastreadora para rastrear um elemento em um clipe, além de adicionar texto e anexá-lo ao elemento usando os dados de rastreamento.

A ferramenta “Rastreador” rastreia pixels ao longo do tempo nos eixos X e Y e gera dados que você pode usar para anexar outros elementos. Ela é ótima quando você quer combinar a posição do texto com um objeto em movimento, como um carro na estrada ou um pássaro voando pelo quadro.

- 1 Na “Biblioteca de Efeitos”, selecione a ferramenta “Rastreamento” e arraste-a até a linha entre os nós “MediaIn” e “MediaOut”. Agora, clique no nó rastreador para revelar suas propriedades no inspetor.
- 2 Digite “1” no seu teclado para visualizar o nó rastreador no visualizador esquerdo. O clipe aparecerá no visualizador junto do rastreador na sua posição padrão. Passe o ponteiro do mouse sobre o rastreador para revelar sua alça. Clique na alça do rastreador no canto superior esquerdo e arraste o rastreador para a área de interesse no seu clipe. As áreas de alto contraste funcionam bem, por exemplo, um emblema no capô de um carro. O rastreador magnificará a área da imagem para precisão extra.
- 3 Na janela do inspetor, clique no botão “Rastrear em Avanço” para começar o rastreamento. Uma janela de notificação aparecerá quando o rastreamento for concluído. Clique em “Ok”.

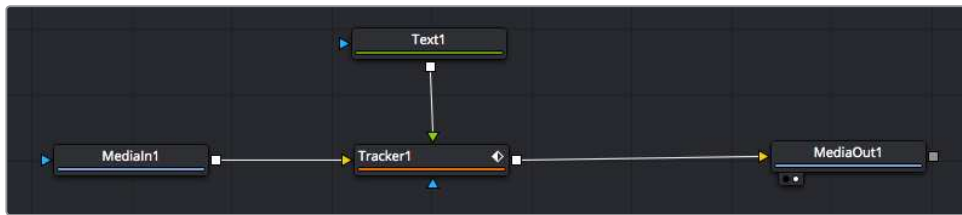


As opções de rastreamento no painel inspetor incluem reversão de rastreamento do último quadro ou quadro atual, interrupção do rastreamento ou avanço do rastreamento do quadro atual ou primeiro quadro.

DICA A reversão ou o avanço do rastreamento do quadro atual é excelente para situações em que sua área de interesse desaparece na faixa de renderização, como um carro ou pássaro saindo do quadro. Isto permite que você rastreie somente a imagem relevante.

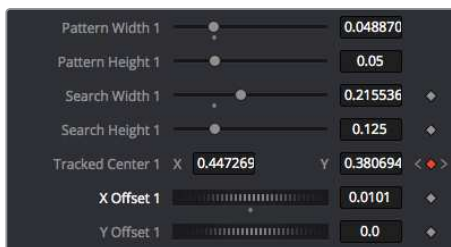
Agora, você pode pegar os dados de rastreamento e aplicar o caminho de movimento a uma ferramenta de texto.

- 4 Clique no ícone do nó “Text+” na barra de ferramentas dos nós comumente usados e arraste-o para o painel de nós próximo do nó “Rastreador”. Conecte o quadrado da saída “Texto” à entrada do primeiro plano verde no “Rastreador”.



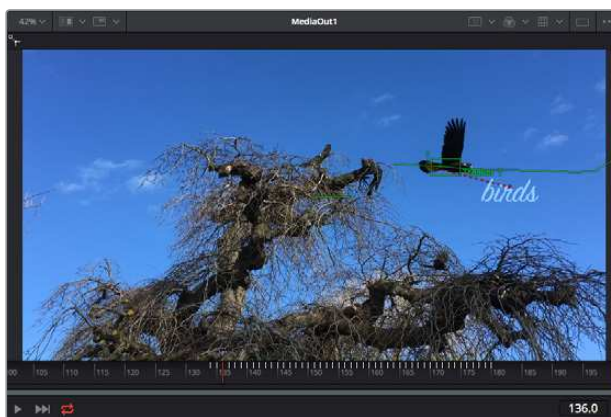
- 5 Clique no nó “Rastreador” e digite “1” para que possa visualizar os resultados mesclados no visualizador esquerdo. No painel inspetor “Rastreador”, clique na aba “Operações”. Você pode ver o nome da aba passando o ponteiro do mouse sobre ela. Clique no menu suspenso próximo da operação e selecione “Combinar Movimento”.
- 6 Clique no nó “Texto” para revelar suas propriedades no inspetor. Digite seu texto na caixa de texto e altere a fonte, a cor e o tamanho para corresponder à sua composição.

Isto aplicará os dados da posição do rastreamento do seu rastreador ao seu texto. Caso queira mudar o deslocamento do texto, clique na aba “Rastreadores” de volta no inspetor e use as rodas de rolagem do deslocamento X e Y para modificar a posição.



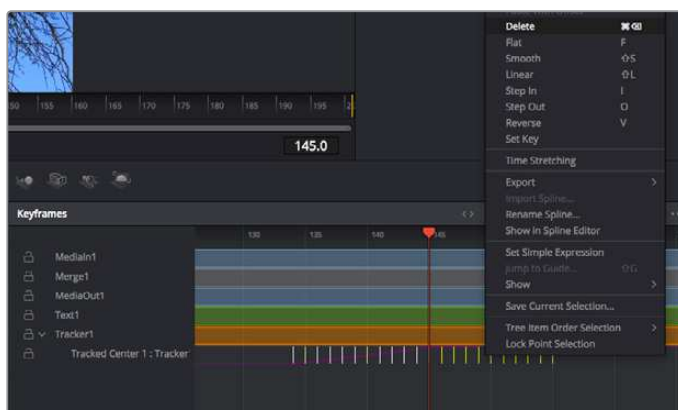
As rodas de rolagem na parte inferior do painel inspetor do rastreador permitem que você ajuste a posição de deslocamento do texto.

Agora, você pode reproduzir a sua composição e visualizar seu texto anexado ao objeto rastreado.



O quadrado verde indica a posição atual do rastreador junto do caminho verde e a linha pontilhada vermelha é a posição de deslocamento usada para animar o texto.

Para algumas imagens, pode ser que você queira remover os pontos de rastreamento após o rastreamento, como quando o objeto rastreado desaparece da tela. O editor de quadros-chave simplifica este processo.



- 7 Clique na aba de quadros-chave acima do inspetor para abrir o editor de quadros-chave. Quaisquer nós com quadros-chave aplicados terão uma pequena seta próxima do rótulo do nó e somente o parâmetro com os quadros-chave adicionados aparecerá na lista abaixo. Clique no ícone de magnificação e arraste uma caixa em torno da área que deseja editar. Esta ação aplicará o zoom na área, assim você pode ver os quadros-chave com maior facilidade.
- 8 Mova o cursor de reprodução para o local do último quadro-chave desejado. Selecione os quadros-chave que deseja remover desenhando uma caixa ao redor deles com seu mouse. Os quadros-chave ficarão destacados em amarelo. Clique com o botão direito do mouse e selecione “Excluir” no menu.

DICA Se seus efeitos exigem muito do sistema, ao clicar com o botão direito do mouse na área dos controles de transporte você obterá as opções do visualizador, incluindo reprodução de proxy, ajudando você obter mais do seu sistema enquanto cria sua composição. Consulte o manual do DaVinci Resolve para mais detalhes sobre todas as opções de reprodução.

Pronto, você concluiu sua primeira composição de animação de texto para combinação de movimento na sua imagem!

Se quiser rastrear uma área da imagem que contenha uma superfície plana que deseje aperfeiçoar ou substituir, você pode usar o rastreador planar. O rastreamento de planos 2D é útil para alteração de rótulos e placas em uma imagem em movimento ou até para adicionar uma imagem a um monitor ou TV no seu plano cinematográfico.

Para mais informações sobre o rastreador planar e as diversas ferramentas poderosas na página Fusion do DaVinci Resolve, consulte o manual do software.

DICA À medida que você cria efeitos visuais na página Fusion, vale a pena observar se o efeito sendo criado é um efeito 2D ou 3D, já que isto determinará a ferramenta de mesclagem a ser usada. Você pode vir a descobrir que está combinando efeitos 2D e 3D frequentemente na mesma composição. Neste cenário, é útil lembrar que qualquer efeito visual usando a área 3D precisa ser renderizado como uma imagem 2D antes de ser incorporado na composição 2D.

Esperamos que você se divirta muito com o Fusion e possa explorar seus efeitos visuais com o poder das páginas de edição, cor e Fairlight do DaVinci Resolve. Com todas essas ferramentas na ponta dos seus dedos, o DaVinci Resolve é uma solução incrivelmente poderosa e não há limites para o que você pode criar!

Masterizar sua Edição

Agora que você editou, colorizou, adicionou efeitos especiais e fez a mixagem do seu áudio, é hora de compartilhar o trabalho. Você pode usar o botão de Exportação Rápida, ou selecionar no menu, para a saída final dos conteúdos da Linha de Tempo como um arquivo autocontido em uma variedade de formatos diferentes ou usar os recursos adicionais da página “Entrega”.



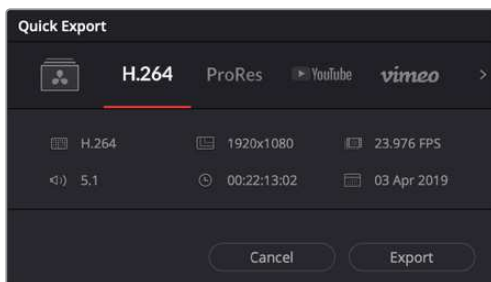
A página “Entrega” é onde você exporta sua edição. É possível selecionar vários formatos e codecs de vídeos diferentes.

Exportação Rápida

Você pode selecionar Arquivo > Exportação Rápida para usar uma variedade de predefinições de exportação para exportar seu programa de qualquer página do DaVinci Resolve. É possível até usar a exportação rápida para exportar e carregar seu programa a um dos serviços de compartilhamento de vídeos, incluindo, YouTube, Vimeo e Frame.io.

Como usar Exportação Rápida:

- 1 Na página “Edição”, “Fusion” ou “Cor”, defina pontos de entrada e saída opcionalmente na linha de tempo para escolher um trecho do programa atual para exportar. Se nenhum ponto de entrada ou saída for definido, a linha de tempo inteira será exportada.
Selecione Arquivo > Exportação Rápida
- 2 Selecione uma predefinição para usar a partir da fileira de ícones na parte superior do diálogo de exportação, e clique em “Exportar”.
- 3 Selecione um local do diretório e insira um nome de arquivo usando o diálogo da exportação e clique em “Salvar”. O diálogo da barra em andamento aparece para indicar quanto tempo levará a exportação.



A caixa de diálogo de exportação rápida.

Página Entrega

Esta página permite que você selecione o número de clipes que deseja exportar, além do formato, codec e da resolução desejados. É possível exportar em muitos tipos de formatos, como QuickTime, AVI, MXF e DPX, usando codecs de 8 ou 10 bits sem compactação em RGB/YUV, como ProRes, DNxHD, H.264 e muito mais.

Como exportar um único clipe da sua montagem:

- 1 Clique na aba “Entrega” para abrir a página de entrega.
- 2 Vá até a janela “Configurações de Renderização” no canto superior esquerdo da página. Agora você pode escolher um número de predefinições de exportação, por exemplo, YouTube, Vimeo e predefinições de áudio, ou você pode definir suas próprias configurações de exportação manualmente ao deixar a predefinição padrão “Personalizado” selecionada e inserir os seus próprios parâmetros. Para este exemplo, selecione YouTube, depois clique na seta junto da predefinição e selecione o formato de vídeo 1080p.

A taxa de quadro será associada à configuração da taxa de quadro do projeto.

- 3 Abaixo das predefinições, você verá o nome de arquivo da linha de tempo e o local de destino para o seu vídeo exportado. Clique no botão “Buscar” e escolha onde deseja salvar seu arquivo exportado. Em seguida, selecione “Clipe Único” como a opção de renderização.
- 4 Logo acima da linha de tempo, você verá uma caixa de opções “Linha de Tempo Completa” selecionada. Ela exportará toda a linha de tempo, mas é possível selecionar intervalos da linha de tempo, se desejado. Basta selecionar “Intervalo de Entrada/Saída” e depois usar as teclas de atalho “I” e “O” para selecionar os pontos de entrada e saída na sua linha de tempo.
- 5 Acesse a parte inferior das configurações “Configurações de Renderização” e clique no botão “Adicionar à Fila de Renderização”.

Suas configurações de renderização serão adicionadas à fila de renderização no lado direito da página. Agora, basta clicar em “Iniciar” e monitorar o progresso da sua renderização na fila.

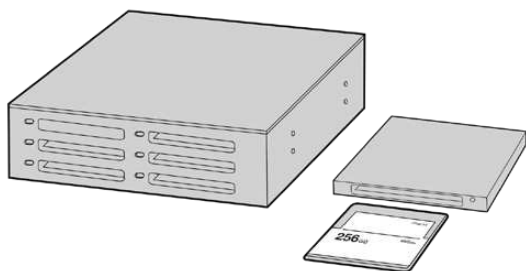
Quando a sua renderização estiver concluída, você pode abrir o local da pasta, dar um clique duplo no seu novo clipe renderizado e assistir a sua edição finalizada.

Agora que você tem conhecimentos básicos sobre como editar, colorir, fazer a mixagem de áudio e adicionar efeitos visuais, recomendamos que você experimente com o DaVinci Resolve. Consulte o manual DaVinci Resolve para mais detalhes sobre como cada recurso pode ajudá-lo a tirar o máximo de seu projeto!

Trabalhar com Software de Terceiros

Para editar seus clipes usando seu software de edição favorito, como o DaVinci Resolve, você pode copiar seus clipes da sua câmera em um drive externo ou RAID e, depois, importar seus clipes no software. Você também pode importar os seus clipes diretamente da sua mídia de armazenamento usando um deck ou adaptador para o seu cartão SD ou CFast, ou via a porta USB-C para uma unidade flash USB-C.

Trabalhar com Arquivos de Cartões CFast 2.0 e SD



Edite diretamente a partir do seu cartão CFast ou SD removendo-o da sua câmera e encaixando-o no seu computador usando um leitor/gravador CFast 2.0 ou um drive CFast.

Como importar seus clipes de um cartão CFast 2.0 ou SD:

- 1 Remova o cartão CFast ou SD da sua Blackmagic Pocket Cinema Camera.
Insira o cartão CFast ou SD no seu computador Mac ou Windows usando um leitor de cartão CFast 2.0, um leitor de cartão SD ou drive CFast.
- 2 Dê um clique duplo no cartão CFast ou SD para abri-lo. Você deve encontrar as pastas contendo seus arquivos de imagem Blackmagic RAW ou uma lista de arquivos de filmes QuickTime. Dependendo do seu formato de preferência para gravação, é possível que você tenha uma mistura de arquivos, mas todos usam a mesma convenção de nomeação.
- 3 Agora, você pode simplesmente arrastar os arquivos desejados do cartão CFast ou SD para o seu desktop ou drive, ou você pode acessar os arquivos diretamente do cartão CFast ou SD usando seu software de edição.
- 4 Antes de desconectar o cartão CFast ou SD do seu computador, é importante sempre ejetar o seu cartão CFast ou SD do macOS ou Windows. Remover o seu cartão sem ejetá-lo pode corromper a imagem.

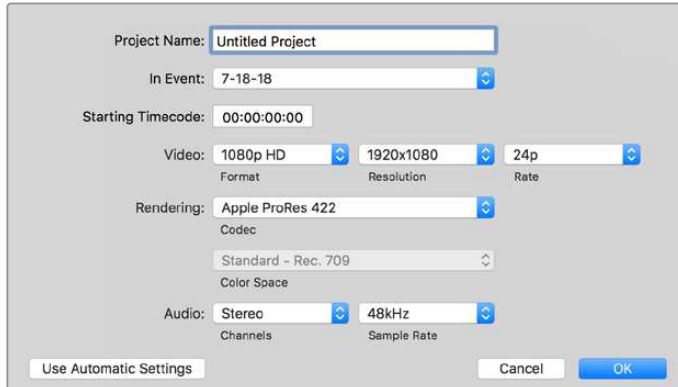
Trabalhar com Arquivos de Unidades Flash USB-C

Como importar seus clipes de uma unidade flash USB-C:

- 1 Desconecte a unidade flash USB-C da sua câmera.
- 2 Insira a unidade flash USB-C no seu computador Mac ou Windows via a porta USB-C no seu computador. USB 3.0 é recomendável, já que USB 2.0 não é rápido o suficiente para editar vídeos em tempo real.
- 3 Dê um clique duplo na unidade flash USB-C para abri-la e você deve encontrar uma lista dos arquivos de filme QuickTime ou arquivos Blackmagic RAW. Dependendo do seu formato de preferência para gravação, é possível que você tenha uma mistura de arquivos, mas todos usam a mesma convenção de nomeação.
- 4 Arraste os arquivos desejados da unidade flash USB-C para o seu desktop ou outro disco rígido, ou acesse os arquivos diretamente da unidade flash USB-C usando seu software de edição não linear.
- 5 Antes de desconectar a unidade flash USB-C do seu computador, é importante ejetar a unidade flash USB-C primeiro.

Usar Final Cut Pro X

Para editar seus clipes usando Final Cut Pro X, será necessário criar um novo projeto e configurar uma taxa de quadro, assim como um formato de vídeo adequado. O exemplo abaixo usa ProRes 422 HQ 1080p24.



Configurações de projeto no Final Cut Pro X.

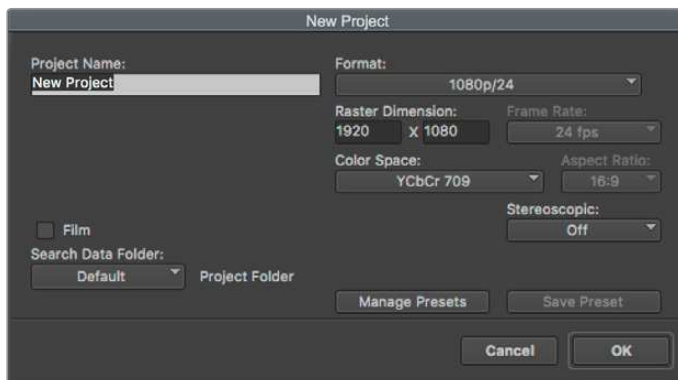
- 1 Inicie o Final Cut Pro X, vá até a barra de menu e selecione “File/New Project”. Uma janela contendo as configurações de projeto aparecerá.
- 2 Dê um nome ao seu projeto e selecione a caixa de diálogo “Custom”.
- 3 Ajuste as configurações “Video Properties” para 1080p HD, 1920x1080 e 24p.
- 4 Ajuste as configurações “Audio” e “Render Properties” para “Stereo”, “48 kHz” e “Apple ProRes 422 HQ”.
- 5 Clique em “Ok”.

Para importar seus clipes no seu projeto, vá até a barra de menu e selecione “File/Import/Media”. Selecione seus clipes no seu cartão CFast.

Agora, é possível arrastar seus clipes na linha de tempo para a edição.

Usar Avid Media Composer 2018

Para editar seus clipes usando o Avid Media Composer 2018, crie um novo projeto e configure uma taxa de quadro, assim como um formato de vídeo adequado. No exemplo abaixo, os clipes foram configurados usando 1080p24.



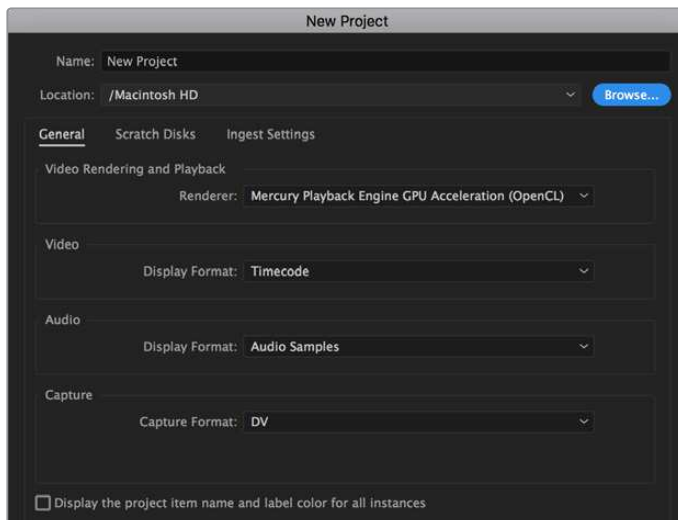
Configuração do nome do projeto e suas opções no Avid Media Composer 2018.

- 1 Inicie o Avid Media Composer 2018 e a janela “Select Project” aparecerá.
- 2 Clique no botão “New Project” e dê um nome para o seu projeto na janela “New Project”.
- 3 No menu suspenso “Format”, selecione “HD 1080 > 1080p/24” e clique em “Ok” para criar o projeto.
- 4 Dê um clique duplo no projeto na janela “Select Project” para abri-la.
- 5 Selecione “File > Input > Source Browse” e navegue pelos arquivos que deseja importar.
- 6 Selecione “Target Bin” no menu suspenso e clique em “Import”.

Quando os cliques aparecerem dentro do ficheiro de mídias, será possível arrastá-los até a linha de tempo e iniciar a edição.

Usar Adobe Premiere Pro CC

Para editar seus cliques Apple ProRes 422 HQ usando Adobe Premiere Pro CC, será necessário criar um novo projeto e configurar uma taxa de quadro, assim como um formato de vídeo adequado. No exemplo abaixo os cliques foram configurados usando ProRes 422 HQ 1080p25.



Configuração do nome do projeto e suas opções no Adobe Premiere Pro CC.

- 1 Inicie o Adobe Premiere Pro CC. Na janela de boas-vindas, selecione “Novo Projeto”. Uma janela contendo as configurações de projeto aparecerá.
- 2 Dê um nome ao seu projeto. Selecione a localização para o seu projeto ao clicar em “Procurar” e escolher a pasta desejada. Após selecionar a localização da sua pasta, clique em “OK” na janela de boas-vindas.
- 3 Vá até a barra de menu do Adobe Premiere Pro CC, selecione “Arquivo/Importar” e escolha os cliques que você deseja editar. Seus cliques aparecerão na janela do projeto.
- 4 Arraste o primeiro clipe que deseja editar para o ícone “Novo Item” no canto inferior direito da janela do projeto. Uma nova sequência será criada correspondendo às configurações do seu clipe.

Agora, será possível arrastar seus cliques na linha de tempo para a edição.

Blackmagic Camera Setup Utility

Atualizar Software de Câmera – Mac

Após baixar o software utilitário Blackmagic Camera Setup e descompactar o arquivo baixado, abra a imagem de disco resultante para acessar o instalador Blackmagic Camera Setup.

Inicie o instalador e siga as instruções na tela. Depois que a instalação estiver concluída, vá até a pasta de aplicativos e abra a pasta Blackmagic Cameras, onde você encontrará este manual, o utilitário Blackmagic Camera Setup, além de uma pasta de documentos contendo os arquivos readme e informações. Você também encontrará um desinstalador para quando atualizar para versões mais recentes do Blackmagic Camera Setup.



Atualizar Software de Câmera – Windows

Após baixar o software utilitário Blackmagic Camera Setup e descompactar o arquivo baixado, você deve encontrar uma pasta Blackmagic Camera Setup contendo este manual em PDF e o instalador Blackmagic Camera Setup. Dê um clique duplo no instalador e siga as instruções na tela para completar a instalação.

No Windows 10, clique no botão “Iniciar” e selecione “Todos os aplicativos”. Desça até a pasta Blackmagic Design. A partir daqui será possível iniciar o Blackmagic Camera Setup.

No Windows 8.1, selecione o ícone de seta para baixo da tela “Iniciar” e desça até a pasta Blackmagic Design. A partir daqui será possível iniciar o Blackmagic Camera Setup.

Como Atualizar o Software Interno da Câmera

Após instalar o utilitário Blackmagic Camera Setup mais recente no seu computador, conecte um cabo USB-C entre o computador e sua câmera.

A porta USB-C fica localizada na lateral esquerda do painel. Basta abrir a proteção emborrachada para acessar a porta.

Inicie o utilitário Blackmagic Camera Setup e siga os alertas na tela para atualizar o software de câmera.

Mídias de Gravação Recomendadas

Cartões CFast 2.0

Recomendados para Pocket Cinema Camera 6K

Os seguintes cartões CFast 2.0 são recomendados para gravações 6K em Blackmagic RAW 5:1 a até 50 fps na Pocket Cinema Camera 6K.

Marca	Nome do Cartão	Armazenamento
Angelbird	AV PRO CF XT	512GB
CinediskPro	510MB/s CFast 2.0	256GB
Hagiwara Solutions	DC-SMAN64GA CFast 2.0	64GB
Hagiwara Solutions	DC-SMANA1GA CFast 2.0	128GB
KomputerBay	3400x CFast 2.0	64GB
KomputerBay	3400x CFast 2.0	128GB
Lexar	Professional 3400X CFast 2.0	128GB
Lexar	Professional 3500X CFast 2.0	128GB
ProGrade Digital	510MB/s CFast 2.0	128GB
ProGrade Digital	550MB/s CFast 2.0	256GB
ProGrade Digital	550MB/s CFast 2.0	512GB
Transcend	CFX650 CFast 2.0 TS128GCFX650	128GB
SanDisk	Extreme Pro CFast 2.0 SDCFSP-64G-x46D	64GB
SanDisk	Extreme Pro CFast 2.0 SDCFSP-128G-x46D	128GB
SanDisk	Extreme Pro CFast 2.0 SDCFSP-256G-x46D	256GB
SanDisk	Extreme Pro CFast 2.0 SDCFSP-512G-x46D	512GB
Silicon Power	CFX310 CFast 2.0	512GB
Sony	CFast 2.0 G Series CAT-G64	64GB
Sony	CFast 2.0 G Series CAT-G128	128GB
Wise	CFA-2560 3400x CFast 2.0	256GB
Wise	CFA-5120 3500x CFast 2.0	512GB
Wise	CFA-10240 3500X CFast 2.0	1TB

Os seguintes cartões CFast 2.0 são recomendados para gravações 6K 2.4:1 em Blackmagic RAW 5:1 a até 60 fps na Pocket Cinema Camera 6K.

Marca	Nome do Cartão	Armazenamento
Angelbird	AV PRO CF XT	512GB
CinediskPro	510MB/s CFast 2.0	256GB
Hagiwara Solutions	DC-SMAN64GA CFast 2.0	64GB
Hagiwara Solutions	DC-SMANA1GA CFast 2.0	128GB

Marca	Nome do Cartão	Armazenamento
KomputerBay	3400x CFast 2.0	64GB
KomputerBay	3400x CFast 2.0	128GB
Lexar	Professional 3400X CFast 2.0	128GB
Lexar	Professional 3500X CFast 2.0	128GB
ProGrade Digital	510MB/s CFast 2.0	128GB
ProGrade Digital	550MB/s CFast 2.0	256GB
ProGrade Digital	550MB/s CFast 2.0	512GB
Transcend	CFX650 CFast 2.0 TS128GCFX650	128GB
SanDisk	Extreme Pro CFast 2.0 SDCFSP-64G-x46D	64GB
SanDisk	Extreme Pro CFast 2.0 SDCFSP-128G-x46D	128GB
SanDisk	Extreme Pro CFast 2.0 SDCFSP-256G-x46D	256GB
SanDisk	Extreme Pro CFast 2.0 SDCFSP-512G-x46D	512GB
Silicon Power	CFX310 CFast 2.0	256GB
Silicon Power	CFX310 CFast 2.0	512GB
Sony	CFast 2.0 G Series CAT-G64	64GB
Sony	CFast 2.0 G Series CAT-G128	128GB
Wise	CFA-1280 3400x CFast 2.0	128GB
Wise	CFA-2560 3400x CFast 2.0	256GB
Wise	CFA-5120 3500x CFast 2.0	512GB
Wise	CFA-10240 3500X CFast 2.0	1TB

Os seguintes cartões CFast 2.0 são recomendados para gravações 2.8K 17:9 em Blackmagic RAW 3:1 a até 120 fps na Pocket Cinema Camera 6K.

Marca	Nome do Cartão	Armazenamento
Angelbird	AV PRO CF XT	512GB
CinediskPro	510MB/s CFast 2.0	256GB
Hagiwara Solutions	DC-SMAN64GA CFast 2.0	64GB
Hagiwara Solutions	DC-SMANA1GA CFast 2.0	128GB
KomputerBay	3400x CFast 2.0	64GB
KomputerBay	3400x CFast 2.0	128GB
Lexar	Professional 3400X CFast 2.0	128GB
Lexar	Professional 3500X CFast 2.0	128GB
Lexar	Professional 3400X CFast 2.0	256GB
ProGrade Digital	510MB/s CFast 2.0	128GB
ProGrade Digital	550MB/s CFast 2.0	256GB
ProGrade Digital	550MB/s CFast 2.0	512GB
Transcend	CFX650 CFast 2.0 TS128GCFX650	128GB

Marca	Nome do Cartão	Armazenamento
SanDisk	Extreme Pro CFast 2.0 SDCFSP-64G-x46D	64GB
SanDisk	Extreme Pro CFast 2.0 SDCFSP-128G-x46D	128GB
SanDisk	Extreme Pro CFast 2.0 SDCFSP-256G-x46D	256GB
SanDisk	Extreme Pro CFast 2.0 SDCFSP-512G-x46D	512GB
Silicon Power	CFX310 CFast 2.0	256GB
Silicon Power	CFX310 CFast 2.0	512GB
Sony	CFast 2.0 G Series CAT-G64	64GB
Sony	CFast 2.0 G Series CAT-G128	128GB
Wise	CFA-1280 3400x CFast 2.0	128GB
Wise	CFA-2560 3400x CFast 2.0	256GB
Wise	CFA-5120 3500x CFast 2.0	512GB
Wise	CFA-10240 3500X CFast 2.0	1TB

Os seguintes cartões CFast 2.0 são recomendados para gravações de DCI 4K ProRes HQ a até 60 fps na Pocket Cinema Camera 6K.

Marca	Nome do Cartão	Armazenamento
Angelbird	AV PRO CF XT	512GB
CinediskPro	510MB/s CFast 2.0	256GB
Hagiwara Solutions	DC-SMAN64GA CFast 2.0	64GB
Hagiwara Solutions	DC-SMANA1GA CFast 2.0	128GB
KomputerBay	3400x CFast 2.0	64GB
KomputerBay	3400x CFast 2.0	128GB
Lexar	Professional 3400X CFast 2.0	128GB
Lexar	Professional 3500X CFast 2.0	128GB
Lexar	Professional 3400X CFast 2.0	256GB
ProGrade Digital	510MB/s CFast 2.0	128GB
ProGrade Digital	550MB/s CFast 2.0	256GB
ProGrade Digital	550MB/s CFast 2.0	512GB
Transcend	CFX650 CFast 2.0 TS128GCFX650	128GB
SanDisk	Extreme Pro CFast 2.0 SDCFSP-64G-x46D	64GB
SanDisk	Extreme Pro CFast 2.0 SDCFSP-128G-x46D	128GB
SanDisk	Extreme Pro CFast 2.0 SDCFSP-256G-x46D	256GB
SanDisk	Extreme Pro CFast 2.0 SDCFSP-512G-x46D	512GB
Silicon Power	CFX310 CFast 2.0	256GB
Silicon Power	CFX310 CFast 2.0	512GB
Sony	CFast 2.0 G Series CAT-G64	64GB
Sony	CFast 2.0 G Series CAT-G128	128GB

Marca	Nome do Cartão	Armazenamento
Wise	CFA-1280 3400x CFast 2.0	128GB
Wise	CFA-2560 3400x CFast 2.0	256GB
Wise	CFA-5120 3500x CFast 2.0	512GB
Wise	CFA-10240 3500X CFast 2.0	1TB

Os seguintes cartões CFast 2.0 são recomendados para gravações de 1080 ProRes 422 HQ a até 120 fps na Pocket Cinema Camera 6K.

Marca	Nome do Cartão	Armazenamento
Angelbird	AV PRO CF XT	512GB
CinediskPro	510MB/s CFast 2.0	256GB
Hagiwara Solutions	DC-SMAN64GA CFast 2.0	64GB
Hagiwara Solutions	DC-SMANA1GA CFast 2.0	128GB
KomputerBay	3400x CFast 2.0	64GB
KomputerBay	3400x CFast 2.0	128GB
Lexar	Professional 3400X CFast 2.0	128GB
Lexar	Professional 3500X CFast 2.0	128GB
Lexar	Professional 3400X CFast 2.0	256GB
ProGrade Digital	510MB/s CFast 2.0	128GB
ProGrade Digital	550MB/s CFast 2.0	256GB
ProGrade Digital	550MB/s CFast 2.0	512GB
Transcend	CFX650 CFast 2.0 TS128GCFX650	128GB
SanDisk	Extreme Pro CFast 2.0 SDCFSP-64G-x46D	64GB
SanDisk	Extreme Pro CFast 2.0 SDCFSP-128G-x46D	128GB
SanDisk	Extreme Pro CFast 2.0 SDCFSP-256G-x46D	256GB
SanDisk	Extreme Pro CFast 2.0 SDCFSP-512G-x46D	512GB
Silicon Power	CFX310 CFast 2.0	256GB
Silicon Power	CFX310 CFast 2.0	512GB
Sony	CFast 2.0 G Series CAT-G64	64GB
Sony	CFast 2.0 G Series CAT-G128	128GB
Wise	CFA-1280 3400x CFast 2.0	128GB
Wise	CFA-2560 3400x CFast 2.0	256GB
Wise	CFA-5120 3500x CFast 2.0	512GB
Wise	CFA-10240 3500X CFast 2.0	1TB

Recomendados para Pocket Cinema Camera 4K

Os seguintes cartões CFast 2.0 são recomendados para gravações DCI 4K em Blackmagic RAW 3:1 a até 60 fps na Pocket Cinema Camera 4K.

Marca	Nome do Cartão	Armazenamento
Angelbird	AV PRO CF	512GB
Angelbird	AV PRO CF	1TB
CinediskPro	510MB/s CFast 2.0	256GB
Hagiwara Solutions	DC-SMAN64GA CFast 2.0	64GB
Hagiwara Solutions	DC-SMANA1GA CFast 2.0	128GB
KomputerBay	3400x CFast 2.0	64GB
KomputerBay	3400x CFast 2.0	128GB
KomputerBay	3700x CFast 2.0	256GB
Lexar	Professional 3400x CFast 2.0	128GB
Lexar	Professional 3500x CFast 2.0	256GB
ProGrade Digital	550MB/s CFast 2.0	128GB
ProGrade Digital	550MB/s CFast 2.0	256GB
ProGrade Digital	550MB/s CFast 2.0	512GB
SanDisk	Extreme Pro CFast 2.0 SDCFSP-256G-x46D	512GB
Wise	CFA-1280 3400x CFast 2.0	128GB
Wise	CFA-2560 3400x CFast 2.0	256GB
Wise	CFA-5120 3500x CFast 2.0	512GB
Wise	CFA-10240 3500x CFast 2.0	1TB

Os seguintes cartões CFast 2.0 são recomendados para gravações de DCI 4K ProRes HQ a até 60 fps na Pocket Cinema Camera 4K.

Marca	Nome do Cartão	Armazenamento
Angelbird	AV PRO CF	128GB
Angelbird	AV PRO CF	256GB
Angelbird	AV PRO CF	512GB
CinediskPro	510MB/s CFast 2.0	256GB
Hagiwara Solutions	DC-SMAN64GA CFast 2.0	64GB
Hagiwara Solutions	DC-SMANA1GA CFast 2.0	128GB
KomputerBay	3400x CFast 2.0	128GB
KomputerBay	3700x CFast 2.0	256GB
ProGrade Digital	550MB/s CFast 2.0	256GB
ProGrade Digital	550MB/s CFast 2.0	512GB

Marca	Nome do Cartão	Armazenamento
SanDisk	Extreme Pro CFast 2.0 SDCFSP-64G-x46D	64GB
SanDisk	Extreme Pro CFast 2.0 SDCFSP-128G-x46D	128GB
SanDisk	Extreme Pro CFast 2.0 SDCFSP-256G-x46D	256GB
Sony	CFast 2.0 G Series CAT-G64	64GB
Sony	CFast 2.0 G Series CAT-G128	128GB
Wise	CFA-1280 3400x CFast 2.0	128GB
Wise	CFA-2560 3400x CFast 2.0	256GB
Wise	CFA-5120 3500x CFast 2.0	512GB
Wise	CFA-10240 3500x CFast 2.0	1TB

Os seguintes cartões CFast 2.0 são recomendados para gravações DCI 4K em RAW sem perda a até 30 fps na Pocket Cinema Camera 4K.

Marca	Nome do Cartão	Armazenamento
Angelbird	AV PRO CF	128GB
Angelbird	AV PRO CF	256GB
Angelbird	AV PRO CF	512GB
CinediskPro	510MB/s CFast 2.0	256GB
KomputerBay	3400x CFast 2.0	128GB
ProGrade Digital	550MB/s CFast 2.0	256GB
ProGrade Digital	550MB/s CFast 2.0	512GB
SanDisk	Extreme Pro CFast 2.0 SDCFSP-64G-x46D	64GB
SanDisk	Extreme Pro CFast 2.0 SDCFSP-128G-x46D	128GB
SanDisk	Extreme Pro CFast 2.0 SDCFSP-256G-x46D	256GB
Sony	CFast 2.0 G Series CAT-G64	64GB
Sony	CFast 2.0 G Series CAT-G128	128GB
Wise	CFA-1280 3400x CFast 2.0	128GB
Wise	CFA-2560 3400x CFast 2.0	256GB
Wise	CFA-5120 3500x CFast 2.0	512GB

Os seguintes cartões CFast 2.0 são recomendados para gravações DCI 4K em Blackmagic RAW 3:1 a até 60 fps na Pocket Cinema Camera 4K.

Marca	Nome do Cartão	Armazenamento
Angelbird	AV PRO CF	128GB
Angelbird	AV PRO CF	256GB
Angelbird	AV PRO CF	512GB
CinediskPro	510MB/s CFast 2.0	256GB

Marca	Nome do Cartão	Armazenamento
KomputerBay	3400x CFast 2.0	128GB
ProGrade Digital	550MB/s CFast 2.0	256GB
ProGrade Digital	550MB/s CFast 2.0	512GB
SanDisk	Extreme Pro CFast 2.0 SDCFSP-64G-x46D	64GB
SanDisk	Extreme Pro CFast 2.0 SDCFSP-128G-x46D	128GB
SanDisk	Extreme Pro CFast 2.0 SDCFSP-256G-x46D	256GB
Sony	CFast 2.0 G Series CAT-G64	64GB
Sony	CFast 2.0 G Series CAT-G128	128GB
Wise	CFA-1280 3400x CFast 2.0	128GB
Wise	CFA-2560 3400x CFast 2.0	256GB
Wise	CFA-5120 3500x CFast 2.0	512GB

Cartões SD

Recomendados para Pocket Cinema Camera 6K

Os seguintes cartões SD são recomendados para gravações 6K 16:9 em Blackmagic RAW 5:1 a até 30 fps na Pocket Cinema Camera 6K.

Marca	Nome do Cartão	Armazenamento
Angelbird	AV PRO SD V90	64GB
Sony	Tough SF-G32T	32GB
Sony	Tough SF-G64T	64GB
Sony	Tough SF-G128T	128GB
Toshiba	Exceria Pro UHS-II 270MB/s SDXC	64GB
Wise	SD2-128U3 SDXC UHS-II	128GB

Os seguintes cartões SD são recomendados para gravações 6K 16:9 em Blackmagic RAW 8:1 a até 30 fps na Pocket Cinema Camera 6K.

Marca	Nome do Cartão	Armazenamento
Angelbird	AV PRO SD V90	64GB
Sony	Tough SF-G32T	32GB
Sony	Tough SF-G64T	64GB
Sony	Tough SF-G128T	128GB
Toshiba	Exceria Pro UHS-II 270MB/s SDXC	64GB
Toshiba	Exceria Pro UHS-II 270MB/s SDXC	128GB
Toshiba	Exceria Pro UHS-II N502 SDXC	128GB
Wise	SD2-128U3 SDXC UHS-II	128GB

Os seguintes cartões SD são recomendados para gravações 6K 2.4:1 em Blackmagic RAW 12:1 a até 60 fps na Pocket Cinema Camera 6K.

Marca	Nome do Cartão	Armazenamento
Angelbird	AV PRO SD V90	64GB
Sony	Tough SF-G32T	32GB
Sony	Tough SF-G64T	64GB
Sony	Tough SF-G128T	128GB
Toshiba	Exceria Pro UHS-II 270MB/s SDXC	64GB
Toshiba	Exceria Pro UHS-II 270MB/s SDXC	128GB
Toshiba	Exceria Pro UHS-II N502 SDXC	128GB

Os seguintes cartões SD são recomendados para gravação de Blackmagic RAW DCI 4K ProRes HQ em até 60 fps na Blackmagic Pocket Cinema Camera 6K.

Marca	Nome do Cartão	Armazenamento
Angelbird	AV PRO SD V90	64GB
Delkin Devices	Power SDXC USH-II	64GB
Delkin Devices	Prime SDXC USH-II	128GB
ProGrade Digital	V90 UHS-II 250MB/s SDXC	128GB
ProGrade Digital	V90 UHS-II 250MB/s SDXC	256GB
Sony	Tough SF-G32T	32GB
Sony	Tough SF-G64T	64GB
Sony	Tough SF-G128T	128GB
Wise	SD2-64U3 SDXC UHS-II	64GB
Wise	SD2-128U3 SDXC UHS-II	128GB
Toshiba	Exceria Pro UHS-II N502 SDXC	128GB

Os seguintes cartões SD são recomendados para gravação de 1080 ProRes 422 HQ a até 120 fps na Pocket Cinema Camera 6K.

Marca	Nome do Cartão	Armazenamento
Angelbird	AV PRO SD V90	64GB
Delkin Devices	Power SDXC USH-II	64GB
Delkin Devices	Prime SDXC USH-II	128GB
Lexar	Professional 2000x UHS-II 300MB/s SDXC	64GB
Lexar	Professional 2000x UHS-II 300MB/s SDXC	128GB
ProGrade Digital	V90 UHS-II 250MB/s SDXC	256GB
Sony	Tough SF-G32T	32GB
Sony	Tough SF-G64T	64GB
Sony	Tough SF-G128T	128GB

Marca	Nome do Cartão	Armazenamento
Toshiba	Exceria Pro UHS-II 270MB/s SDXC	64GB
Toshiba	Exceria Pro UHS-II 270MB/s SDXC	128GB
Toshiba	Exceria Pro UHS-II N502 SDXC	128GB
Toshiba	Exceria Pro UHS-II N502 SDXC	256GB
Wise	SD2-64U3 SDXC UHS-II	64GB
Wise	SD2-128U3 SDXC UHS-II	128GB

Recomendados para Pocket Cinema Camera 4K

Os seguintes cartões SD são recomendados para gravações DCI 4K em Blackmagic RAW 12:1 a até 30 fps na Pocket Cinema Camera 4K.

Marca	Nome do Cartão	Armazenamento
Angelbird	AV PRO SD V90	64GB
Delkin Devices	Power UHS-II SDXC	64GB
Delkin Devices	Power UHS-II SDXC	128GB
Lexar	Professional 2000x UHS-II 300MB/s SDXC	64GB
ProGrade Digital	V90 UHS-II 250MB/s SDXC	256GB
SanDisk	Extreme Pro UHS-I 95MB/s SDXC	512GB
Sony	Tough SF-G64T	64GB
Sony	Tough SF-G128T	128GB
Sony	SF-G64 300MB/s UHS-II SDXC	64GB
Toshiba	Exceria Pro UHS-II N502 SDXC	32GB
Toshiba	Exceria Pro UHS-II 270MB/s SDXC	64GB
Wise	SD2-64U3 SDXC UHS-II	64GB
Wise	SD2-128U3 SDXC UHS-II	128GB
Wise	SD2-128U3 SDXC UHS-II	128GB

Os seguintes cartões SD são recomendados para gravações DCI 4K em ProRes HQ a até 60 fps na Pocket Cinema Camera 4K.

Marca	Nome do Cartão	Armazenamento
Wise	SD2-64U3 SDXC UHS-II	64GB
Wise	SD2-128U3 SDXC UHS-II	128GB
Sony	Tough SF-G64T	64GB
Sony	Tough SF-G128T	128GB

Os seguintes cartões SD são recomendados para gravações DCI 4K em RAW 4:1 a até 60 fps na Pocket Cinema Camera 4K.

Marca	Nome do Cartão	Armazenamento
Sony	Tough SF-G64T	64GB
Sony	Tough SF-G128T	128GB
Toshiba	Exceria Pro UHS-II N502 SDXC	32GB

Os seguintes cartões SD são recomendados para gravações DCI 4K em RAW sem perda a até 24 fps na Pocket Cinema Camera 4K.

Marca	Nome do Cartão	Armazenamento
Wise	SD2-64U3 SDXC UHS-II	64GB
Wise	SD2-128U3 SDXC UHS-II	128GB
Toshiba	Exceria Pro UHS-II N502 SDXC	32GB
Sony	Tough SF-G64T	64GB
Sony	Tough SF-G128T	128GB

Os seguintes cartões SD são recomendados para gravações 1080p em RAW sem perda a até 60 fps na Pocket Cinema Camera 4K.

Marca	Nome do Cartão	Armazenamento
Wise	SD2-64U3 SDXC UHS-II	64GB
Wise	SD2-128U3 SDXC UHS-II	128GB
Sony	Tough SF-G64T	64GB
Sony	Tough SF-G128T	128GB
Toshiba	Exceria Pro UHS-II N502 SDXC	32GB
Toshiba	Exceria Pro UHS-II N502 SDXC	64GB
Toshiba	Exceria Pro UHS-II N502 SDXC	128GB
Toshiba	Exceria Pro UHS-II N502 SDXC	256GB
Sony	Tough SF-G128T	128GB

SSD USB-C

Recomendados para Pocket Cinema Camera 6K

As seguintes unidades USB-C são recomendadas para gravações 6K em Blackmagic RAW 5:1 a até 50 fps na Pocket Cinema Camera 6K.

Marca	Nome do Cartão	Armazenamento
Wise	PTS-1024 Portable SSD	1TB

As seguintes unidades USB-C são recomendadas para gravações 6K 2.4:1 em Blackmagic RAW 5:1 a até 60 fps na Pocket Cinema Camera 6K.

Marca	Nome do Cartão	Armazenamento
Samsung	Portable SSD T5	250GB
Samsung	Portable SSD T5	2TB
Wise	PTS-1024 Portable SSD	1TB

As seguintes unidades USB-C são recomendadas para gravações 2.8K 17:9 em Blackmagic RAW 3:1 a até 120 fps na Pocket Cinema Camera 6K.

Marca	Nome do Cartão	Armazenamento
Samsung	Portable SSD T5	250GB
Samsung	Portable SSD T5	2TB
Wise	PTS-512 Portable SSD	512GB
Wise	PTS-1024 Portable SSD	1TB

As seguintes unidades USB-C são recomendadas para gravações DCI 4K ProRes HQ a até 60 fps na Pocket Cinema Camera 6K.

Marca	Nome do Cartão	Armazenamento
Samsung	Portable SSD T5	250GB
Samsung	Portable SSD T5	1TB
Samsung	Portable SSD T5	2TB
SanDisk	Extreme Portable SSD	1TB
Wise	PTS-512 Portable SSD	512GB
Wise	PTS-1024 Portable SSD	1TB
Wise	PTS-1024 Portable SSD	1TB

As seguintes unidades USB-C são recomendadas para gravações DCI 4K ProRes 422 HQ a até 120 fps na Pocket Cinema Camera 6K.

Marca	Nome do Cartão	Armazenamento
Samsung	Portable SSD T5	250GB
Samsung	Portable SSD T5	1TB
Samsung	Portable SSD T5	2TB
SanDisk	Extreme Portable SSD	1TB
Wise	PTS-512 Portable SSD	512GB
Wise	PTS-1024 Portable SSD	1TB
Wise	PTS-1024 Portable SSD	1TB

Recomendados para Pocket Cinema Camera 4K

As seguintes unidades USB-C são recomendadas para gravações DCI 4K em Blackmagic RAW 3:1 a até 60 fps na Pocket Cinema Camera 4K.

Marca	Nome do Cartão	Armazenamento
Angelbird	SSD2GO PKT	512GB
Angelbird	SSD2GO PKT	2TB
G-Technology	G-DRIVE Mobile SSD	1TB
Samsung	Portable SSD T5	2TB
Wise	PTS-512 Portable SSD	512GB

As seguintes unidades USB-C são recomendadas para gravações DCI 4K ProRes HQ a até 60 fps na Pocket Cinema Camera 4K.

Marca	Nome do Cartão	Armazenamento
Angelbird	SSD2GO PKT	512GB
Angelbird	SSD2GO PKT	2TB
Glyph	Atom	500GB
Lacie	Portable SSD	500GB
Samsung	Portable SSD T5	500GB
Samsung	Portable SSD T5	1TB
SanDisk	Extreme Portable SSD	1TB
Seagate	Fast SSD	250GB
Wise	PTS-256 Portable SSD	256GB
Wise	PTS-512 Portable SSD	512GB
Wise	PTS-1024 Portable SSD	1TB

As seguintes unidades USB-C são recomendadas para gravações DCI 4K em RAW sem perda a até 30 fps na Pocket Cinema Camera 4K.

Marca	Nome do Cartão	Armazenamento
Angelbird	SSD2GO PKT	512GB
Angelbird	SSD2GO PKT	2TB
Samsung	Portable SSD T5	1TB
Wise	PTS-256 Portable SSD	256GB
Wise	PTS-512 Portable SSD	512GB
Wise	PTS-1024 Portable SSD	1TB

As seguintes unidades USB-C são recomendadas para gravações DCI 4K em RAW 3:1 a até 60 fps na Pocket Cinema Camera 4K.

Marca	Nome do Cartão	Armazenamento
Angelbird	SSD2GO PKT	512GB
Angelbird	SSD2GO PKT	2TB
Samsung	Portable SSD T5	500GB
Samsung	Portable SSD T5	1TB
Wise	PTS-256 Portable SSD	256GB
Wise	PTS-512 Portable SSD	512GB
Wise	PTS-1024 Portable SSD	1TB

Ajuda

A maneira mais rápida de obter ajuda é visitando as páginas de suporte online da Blackmagic Design e consultando os materiais de suporte mais recentes disponíveis para sua câmera.

Central de Suporte Técnico Online Blackmagic Design

O manual, o software e as notas de suporte mais recentes podem ser encontrados na Central de Suporte Técnico da Blackmagic Design em www.blackmagicdesign.com/br/support.

Contatar o Suporte Blackmagic Design

Caso não encontre a ajuda que precisa no nosso material de suporte, por favor use o botão “Envie-nos um email” na página de suporte para nos encaminhar uma solicitação de suporte. Ou, clique no botão “Encontre sua equipe de suporte local” na página de suporte e ligue para a assistência técnica da Blackmagic Design mais próxima.

Verificar a Versão de Software Atualmente Instalada

Para verificar qual versão do software utilitário Blackmagic Camera está instalada no seu computador, abra a janela “Sobre Blackmagic Camera Utility”.

- No macOS, abra o utilitário Blackmagic Camera Setup na pasta de aplicativos. Selecione “Sobre Blackmagic Camera Setup” no menu de aplicativos para revelar o número da versão.
- No Windows, abra o utilitário “Blackmagic Camera Setup” a partir do menu “Iniciar” ou da tela inicial. Clique no menu “Ajuda” e selecione “Sobre Blackmagic Camera Setup” para revelar o número da versão.

Como Obter as Atualizações de Software Mais Recentes

Depois que verificar a versão do software Blackmagic Camera Utility instalada no seu computador, por favor, visite a Central de Suporte Técnico da Blackmagic Design em www.blackmagicdesign.com/br/support para conferir as últimas atualizações. Embora seja uma boa ideia instalar as últimas atualizações, é recomendável evitar atualizar qualquer software caso esteja no meio de um projeto importante.

Informações Regulatórias



Descarte de Resíduos de Equipamentos Elétricos e Eletrônicos na União Europeia.

O símbolo no produto indica que este equipamento não pode ser eliminado com outros materiais residuais. Para eliminar seus resíduos de equipamento, ele deve ser entregue a um ponto de coleta designado para reciclagem. A coleta separada e a reciclagem dos seus resíduos de equipamento no momento da eliminação ajudarão a preservar os recursos naturais e a garantir que sejam reciclados de uma maneira que proteja a saúde humana e o meio ambiente. Para mais informações sobre onde você pode entregar os resíduos do seu equipamento para reciclagem, por favor entre em contato com a agência de reciclagem local da sua cidade ou o revendedor do produto adquirido.

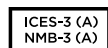


Este equipamento foi testado e respeita os limites para um dispositivo digital Classe A, conforme a Parte 15 das normas da FCC. Esses limites foram criados para fornecer proteção razoável contra interferências nocivas quando o equipamento é operado em um ambiente comercial. Este equipamento gera, usa e pode irradiar energia de radiofrequência e, se não for instalado ou usado de acordo com as instruções, poderá causar interferências nocivas nas comunicações via rádio. A operação deste produto em uma área residencial pode causar interferência nociva, nesse caso o usuário será solicitado a corrigir a interferência às suas próprias custas.

A operação está sujeita às duas condições a seguir:

- 1 Este dispositivo não poderá causar interferência nociva.
- 2 Este dispositivo deve aceitar qualquer interferência recebida, incluindo interferência que possa causar uma operação indesejada.

Norma Canadense ISED



Este dispositivo cumpre com as exigências canadenses para aparelhos digitais de classe A.

Quaisquer modificações ou utilização deste produto fora dos limites previstos poderão anular a conformidade com estas normas.

A conexão com interfaces HDMI devem ser feitas com cabos HDMI protegidos.

Este equipamento foi testado para fins de cumprimento com a sua utilização pretendida em um ambiente comercial. Se o equipamento for usado em um ambiente doméstico, ele poderá causar interferência radioelétrica.

Bluetooth®

Este produto usa tecnologia Bluetooth sem fio.

Contém Módulo Transmissor FCC ID: QOQBGM113

Este equipamento cumpre os limites de exposição à radiação da FCC estabelecidos para um ambiente não controlado.

Contém Módulo Transmissor IC: 5123A-BGM113

Este dispositivo está em conformidade com os padrões RSS de isenção de licença da Industry Canada e isento de verificação de limites especificados na norma RSS-102 Edição 5.

Certificado para o Japão sob o número: 209-J00204. Este dispositivo contém equipamento de rádio especificado em conformidade com a certificação de conformidade de regulamento técnico sob a lei de rádio.

Este módulo possui certificação na Coreia do Sul, sob número de certificação KC: MSIP-CRM-BGT-BGM113

A Blackmagic Design declara que o produto utiliza sistemas de transmissão de banda larga na faixa ISM de 2.4 GHz e encontra-se em conformidade com a Diretriz 2014/53/EU.

O texto completo da declaração de conformidade da União Europeia está disponível através do endereço compliance@blackmagicdesign.com

Informações de Segurança

A Blackmagic Pocket Cinema Camera é adequada para uso em locais tropicais com uma temperatura ambiente de até 40°C.

Não há componentes internos reparáveis pelo operador. Solicite o serviço de manutenção à assistência técnica local da Blackmagic Design.

Sob condições de luz solar intensa, considere proteger a câmera sob sombras para prevenir a exposição da câmera ou da bateria de lítio sob luz direta por longos períodos de tempo. Mantenha as baterias de lítio afastadas de todas as fontes de calor.



Ao utilizar o adaptador de alimentação fornecido, utilize apenas em altitudes que não excedam 2000 m acima do nível do mar.

Declaração do Estado da Califórnia

Este produto pode expô-lo a produtos químicos, tais como vestígios de bifenilos polibromados dentro de peças de plástico, que é conhecido no estado da Califórnia por causar câncer e defeitos congênitos ou outros danos reprodutivos.

Para mais informações, visite www.P65Warnings.ca.gov.

Garantia

Garantia Limitada

A Blackmagic Design garante que este produto estará livre de defeitos de materiais e fabricação por um período de 12 meses a partir da data de compra. Se o produto se revelar defeituoso durante este período de garantia, a Blackmagic Design, a seu critério, consertará o produto defeituoso sem cobrança pelos componentes e mão-de-obra, ou fornecerá a substituição em troca pelo produto defeituoso.

Para obter o serviço sob esta garantia você, o Consumidor, deve notificar a Blackmagic Design do defeito antes da expiração do período de garantia e tomar as providências necessárias para o desempenho do serviço. O Consumidor é responsável pelo empacotamento e envio do produto defeituoso para um centro de assistência designado pela Blackmagic Design com os custos de envio pré-pagos. O Consumidor é responsável pelo pagamento de todos os custos de envio, seguro, taxas, impostos e quaisquer outros custos para os produtos que nos forem devolvidos por qualquer razão.

Esta garantia não se aplica a defeitos, falhas ou danos causados por uso inadequado ou manutenção e cuidado inadequado ou impróprio. A Blackmagic Design não é obrigada a fornecer serviços sob esta garantia: a) para consertar danos causados por tentativas de instalar, consertar ou fornecer assistência técnica ao produto por pessoas que não sejam representantes da Blackmagic Design, b) para consertar danos causados por uso ou conexão imprópria a equipamentos não compatíveis, c) para consertar danos ou falhas causadas pelo uso de componentes ou materiais que não são da Blackmagic Design, d) para fornecer assistência técnica de um produto que foi modificado ou integrado a outros produtos quando o efeito de tal modificação ou integração aumenta o tempo ou a dificuldade da assistência técnica do serviço.

ESTA GARANTIA É FORNECIDA PELA BLACKMAGIC DESIGN NO LUGAR DE QUAISQUER OUTRAS GARANTIAS, EXPLÍCITAS OU IMPLÍCITAS. A BLACKMAGIC DESIGN E SEUS FORNECEDORES NEGAM QUAISQUER GARANTIAS IMPLÍCITAS DE COMERCIALIZAÇÃO OU ADEQUAÇÃO A UMA FINALIDADE ESPECÍFICA. A RESPONSABILIDADE DA BLACKMAGIC DESIGN DE CONSERTAR OU SUBSTITUIR PRODUTOS DEFEITUOSOS É A ÚNICA E EXCLUSIVA MEDIDA FORNECIDA AO CONSUMIDOR PARA QUAISQUER DANOS INDIRETOS, ESPECIAIS OU ACIDENTAIS INDEPENDENTEMENTE DA BLACKMAGIC DESIGN OU DO FORNECEDOR TIVER INFORMAÇÃO PRÉVIA SOBRE A POSSIBILIDADE DE TAIS DANOS. A BLACKMAGIC DESIGN NÃO É RESPONSÁVEL POR QUAISQUER USOS ILEGAIS DO EQUIPAMENTO PELO CONSUMIDOR. A BLACKMAGIC NÃO É RESPONSÁVEL POR QUAISQUER DANOS CAUSADOS PELO USO DESTE PRODUTO. O USUÁRIO DEVE OPERAR ESTE PRODUTO POR CONTA E RISCO PRÓPRIOS.

© Direitos autorais 2019 Blackmagic Design. Todos os direitos reservados. "Blackmagic Design", "URSA", "DeckLink", "HDLink", "Workgroup Videohub", "Multibridge Pro", "Multibridge Extreme", "Intensity" e "Leading the creative video revolution" são marcas comerciais registradas nos Estados Unidos e em outros países. Todos os outros nomes de empresas e produtos podem ser marcas comerciais de suas respectivas empresas com as quais elas são associadas.

A marca denominativa e o logotipo Bluetooth são marcas registradas e de propriedade da Bluetooth SIG, Inc. e qualquer uso das marcas pela Blackmagic Design é feito sob licença. Outros nomes e marcas comerciais são de propriedade dos seus respectivos donos.



Blackmagic Pocket Cinema Camera

Includes Blackmagic Pocket Cinema Camera 6K
and Blackmagic Pocket Cinema Camera 4K

November 2019

Developer Information

Developer Information

Blackmagic Bluetooth Camera Control

Blackmagic cameras with Bluetooth LE implement a variety of features and commands that allow users to control their cameras wirelessly. Developers have full access to these features for their custom applications.

The following services and characteristics describe the full range of communication options that are available to the developer.

Service: Device Information Service

UUID: 180A

Characteristics

Camera Manufacturer

UUID: 2A29

Read the name of the manufacturer (always “Blackmagic Design”).

Camera Model

UUID: 2A24

Read the name of the camera model (“Pocket Cinema Camera 6K” or “Pocket Cinema Camera 4K”).

Service: Blackmagic Camera Service

UUID: 291D567A-6D75-11E6-8B77-86F30CA893D3

Characteristics

Outgoing Camera Control (encrypted)

UUID: 5DD3465F-1AEE-4299-8493-D2ECA2F8E1BB

Send Camera Control messages

These messages are identical to those described in the Blackmagic SDI Camera Control Protocol section below. Please read that section for a list of supported messages and required formatting information.

For an example of how packets are structured, please see the ‘example protocol packets’ section in this document.

Incoming Camera Control (encrypted)

UUID: B864E140-76A0-416A-BF30-5876504537D9

Request notifications for this characteristic to receive Camera Control messages from the camera.

These messages are identical to those described in the Blackmagic SDI Camera Control Protocol section below. Please read that section for a list of supported messages and required formatting information.

Timecode (encrypted)

UUID: 6D8F2110-86F1-41BF-9AFB-451D87E976C8

Request notifications for this characteristic to receive timecode updates.

Timecode (HH:MM:SS:mm) is represented by a 32-bit BCD number:
(eg. 09:12:53:10 = 0x09125310)

Camera Status (encrypted)

UUID: 7FE8691D-95DC-4FC5-8ABD-CA74339B51B9

Request notifications for this characteristic to receive camera status updates.

The camera status is represented by flags contained in an 8-bit integer:

None	= 0x00
Camera Power On	= 0x01
Connected	= 0x02
Paired	= 0x04
Versions Verified	= 0x08
Initial Payload Received	= 0x10
Camera Ready	= 0x20

Send a value of 0x00 to power a connected camera off.

Send a value of 0x01 to power a connected camera on.

Device Name

UUID: FFAC0C52-C9FB-41A0-B063-CC76282EB89C

Send a device name to the camera (max. 32 characters).

The camera will display this name in the Bluetooth Setup Menu.

Protocol Version

UUID: 8F1FD018-B508-456F-8F82-3D392BEE2706

Read this value to determine the camera's supported CCU protocol version.

NOTE Encrypted characteristics can only be used once a device has successfully bonded or paired with the Blackmagic Camera. Once a connection has been established, any attempt to write to an encrypted characteristic will initiate bonding. For example, writing a 'Camera Power On' (0x01) message to the Camera Status characteristic.

Once bonding is initiated, the camera will display a 6-digit pin in the Bluetooth Setup Menu. Enter this pin on your device to establish an encrypted connection. The device will now be able to read, write and receive notifications from encrypted characteristics.

Blackmagic SDI and Bluetooth Camera Control Protocol

Version 1.4

If you are a software developer you can use the Blackmagic SDI and Bluetooth Camera Control Protocol to construct devices that integrate with our products. Here at Blackmagic Design, our approach is to open up our protocols and we eagerly look forward to seeing what you come up with!

Overview

This document describes an extensible protocol for sending a unidirectional stream of small control messages embedded in the non-active picture region of a digital video stream. The video stream containing the protocol stream may be broadcast to a number of devices. Device addressing is used to allow the sender to specify which device each message is directed to.

Assumptions

Alignment and padding constraints are explicitly described in the protocol document. Bit fields are packed from LSB first. Message groups, individual messages and command headers are defined as, and can be assumed to be, 32 bit aligned.

Blanking Encoding

A message group is encoded into a SMPTE 291M packet with DID/SDID x51/x53 in the active region of VANC line 16.

Message Grouping

Up to 32 messages may be concatenated and transmitted in one blanking packet up to a maximum of 255 bytes payload. Under most circumstances, this should allow all messages to be sent with a maximum of one frame latency.

If the transmitting device queues more bytes of message packets than can be sent in a single frame, it should use heuristics to determine which packets to prioritize and send immediately. Lower priority messages can be delayed to later frames, or dropped entirely as appropriate.

Abstract Message Packet Format

Every message packet consists of a three byte header followed by an optional variable length data block. The maximum packet size is 64 bytes.

Destination device (uint8)	Device addresses are represented as an 8 bit unsigned integer. Individual devices are numbered 0 through 254 with the value 255 reserved to indicate a broadcast message to all devices.
Command length (uint8)	The command length is an 8 bit unsigned integer which specifies the length of the included command data. The length does NOT include the length of the header or any trailing padding bytes.
Command id (uint8)	The command id is an 8 bit unsigned integer which indicates the message type being sent. Receiving devices should ignore any commands that they do not understand. Commands 0 through 127 are reserved for commands that apply to multiple types of devices. Commands 128 through 255 are device specific.
Reserved (uint8)	This byte is reserved for alignment and expansion purposes. It should be set to zero.

Command data (uint8[])	The command data may contain between 0 and 60 bytes of data. The format of the data section is defined by the command itself.
Padding (uint8[])	Messages must be padded up to a 32 bit boundary with 0x0 bytes. Any padding bytes are NOT included in the command length.

Receiving devices should use the destination device address and or the command identifier to determine which messages to process. The receiver should use the command length to skip irrelevant or unknown commands and should be careful to skip the implicit padding as well.

Defined Commands

Command 0 : change configuration

Category (uint8)	The category number specifies one of up to 256 configuration categories available on the device.
Parameter (uint8)	The parameter number specifies one of 256 potential configuration parameters available on the device. Parameters 0 through 127 are device specific parameters. Parameters 128 through 255 are reserved for parameters that apply to multiple types of devices.
Data type (uint8)	The data type specifies the type of the remaining data. The packet length is used to determine the number of elements in the message. Each message must contain an integral number of data elements.

Currently defined values are:

0: void / boolean	A void value is represented as a boolean array of length zero. The data field is a 8 bit value with 0 meaning false and all other values meaning true.
1: signed byte	Data elements are signed bytes
2: signed 16 bit integer	Data elements are signed 16 bit values
3: signed 32 bit integer	Data elements are signed 32 bit values
4: signed 64 bit integer	Data elements are signed 64 bit values
5: UTF-8 string	Data elements represent a UTF-8 string with no terminating character.

Data types 6 through 127 are reserved.

128: signed 5.11 fixed point	Data elements are signed 16 bit integers representing a real number with 5 bits for the integer component and 11 bits for the fractional component. The fixed point representation is equal to the real value multiplied by 2^{11} . The representable range is from -16.0 to 15.9995 ($15 + 2047/2048$).
-------------------------------------	---

Data types 129 through 255 are available for device specific purposes.

Operation type (uint8)	The operation type specifies what action to perform on the specified parameter. Currently defined values are:
0: assign value	The supplied values are assigned to the specified parameter. Each element will be clamped according to its valid range. A void parameter may only be 'assigned' an empty list of boolean type. This operation will trigger the action associated with that parameter. A boolean value may be assigned the value zero for false, and any other value for true.
1: offset / toggle value	Each value specifies signed offsets of the same type to be added to the current parameter values. The resulting parameter value will be clamped according to their valid range. It is not valid to apply an offset to a void value. Applying any offset other than zero to a boolean value will invert that value.
Operation types 2 through 127 are reserved.	
Operation types 128 through 255 are available for device specific purposes.	
Data (void)	The data field is 0 or more bytes as determined by the data type and number of elements.

The category, parameter, data type and operation type partition a 24 bit operation space.

Group	ID	Parameter	Type	Index	Minimum	Maximum	Interpretation
Lens	0.0	Focus	fixed16	–	0.0	1.0	0.0 = near, 1.0 = far
	0.1	Instantaneous autofocus	void	–	–	–	trigger instantaneous autofocus
	0.2	Aperture (f-stop)	fixed16	–	-1.0	16.0	Aperture Value (where fnumber = $\sqrt{2^{AV}}$)
	0.3	Aperture (normalised)	fixed16	–	0.0	1.0	0.0 = smallest, 1.0 = largest
	0.4	Aperture (ordinal)	int16	–	0	n	Steps through available aperture values from minimum (0) to maximum (n)
	0.5	Instantaneous auto aperture	void	–	–	–	trigger instantaneous auto aperture
	0.6	Optical image stabilisation	boolean	–	–	–	true = enabled, false = disabled
	0.7	Set absolute zoom (mm)	int16	–	0	max	Move to specified focal length in mm, from minimum (0) to maximum (max)
	0.8	Set absolute zoom (normalised)	fixed16	–	0.0	1.0	Move to specified focal length: 0.0 = wide, 1.0 = tele
	0.9	Set continuous zoom (speed)	fixed16	–	-1.0	+1.0	Start/stop zooming at specified rate: -1.0 = zoom wider fast, 0.0 = stop, +1 = zoom tele fast

Group	ID	Parameter	Type	Index	Minimum	Maximum	Interpretation
Video	1.0	Video mode	int8	[0] = frame rate	-	-	fps as integer (eg 24, 25, 30, 50, 60)
				[1] = M-rate	-	-	0 = regular, 1 = M-rate
				[2] = dimensions	-	-	0 = NTSC, 1 = PAL, 2 = 720, 3 = 1080, 4 = 2kDCI, 5 = 2k16:9, 6 = UHD, 7 = 3k Anamorphic, 8 = 4k DCI, 9 = 4k 16:9, 10 = 4.6k 2.4:1, 11 = 4.6k
				[3] = interlaced	-	-	0 = progressive, 1 = interlaced
				[4] = Color space	-	-	0 = YUV
	1.1	Gain (up to Camera 4.9)	int8		1	128	1x, 2x, 4x, 8x, 16x, 32x, 64x, 128x gain
	1.2	Manual White Balance	int16	[0] = color temp	2500	10000	Color temperature in K
			int16	[1] = tint	-50	50	tint
	1.3	Set auto WB	void	-	-	-	Calculate and set auto white balance
	1.4	Restore auto WB	void	-	-	-	Use latest auto white balance setting
	1.5	Exposure (us)	int32		1	42000	time in us
	1.6	Exposure (ordinal)	int16	-	0	n	Steps through available exposure values from minimum (0) to maximum (n)
	1.7	Dynamic Range Mode	int8 enum	-	0	2	0 = film, 1 = video, 2 = extended video
	1.8	Video sharpening level	int8 enum	-	0	3	0 = off, 1 = low, 2 = medium, 3 = high
	1.9	Recording format	int16	[0] = file frame rate	-	-	fps as integer (eg 24, 25, 30, 50, 60, 120)
				[1] = sensor frame rate	-	-	fps as integer, valid when sensor-off-speed set (eg 24, 25, 30, 33, 48, 50, 60, 120), no change will be performed if this value is set to 0
				[2] = frame width	-	-	in pixels
				[3] = frame height	-	-	in pixels
				[4] = flags	-	-	[0] = file-M-rate
					-	-	[1] = sensor-M-rate, valid when sensor-off-speed-set
-					-	[2] = sensor-off-speed	
-					-	[3] = interlaced	
-	-	[4] = windowed mode					
1.10	Set auto exposure mode	int8	-	0	4	0 = Manual Trigger, 1 = Iris, 2 = Shutter, 3 = Iris + Shutter, 4 = Shutter + Iris	
1.11	Shutter angle	int32	-	100	36000	Shutter angle in degrees, multiplied by 100	
1.12	Shutter speed	int32	-	Current sensor frame rate	5000	Shutter speed value as a fraction of 1, so 50 for 1/50th of a second	
1.13	Gain	int8	-	-128	127	Gain in decibel (dB)	
1.14	ISO	int32	-	0	2147483647	ISO value	
1.15	Display LUT	int8	[0] = selected LUT	-	-	0 = None, 1 = Custom, 2 = film to video, 3 = film to extended video	
			[1] = enabled or not	-	-	0 = Not enabled, 1 = Enabled	

Group	ID	Parameter	Type	Index	Minimum	Maximum	Interpretation
Audio	2.0	Mic level	fixed16	–	0.0	1.0	0.0 = minimum, 1.0 = maximum
	2.1	Headphone level	fixed16	–	0.1	1.0	0.0 = minimum, 1.0 = maximum
	2.2	Headphone program mix	fixed16	–	0.1	1.0	0.0 = minimum, 1.0 = maximum
	2.3	Speaker level	fixed16	–	0.1	1.0	0.0 = minimum, 1.0 = maximum
	2.4	Input type	int8	–	0	3	0 = internal mic, 1 = line level input, 2 = low mic level input, 3 = high mic level input
	2.5	Input levels	fixed16	[0] ch0	0.0	1.0	0.0 = minimum, 1.0 = maximum
				[1] ch1	0.0	1.0	0.0 = minimum, 1.0 = maximum
2.6	Phantom power	boolean	–	–	–	true = powered, false = not powered	
Output	3.0	Overlay enables	uint16 bit field	–	–	–	bit flags: [0] = display status, [1] = display frame guides Some cameras don't allow separate control of frame guides and status overlays.
	3.1	Frame guides style (Camera 3.x)	int8	–	0	8	0 = HDTV, 1 = 4:3, 2 = 2.4:1, 3 = 2.39:1, 4 = 2.35:1, 5 = 1.85:1, 6 = thirds
	3.2	Frame guides opacity (Camera 3.x)	fixed16	–	0.1	1.0	0.0 = transparent, 1.0 = opaque
	3.3	Overlays (replaces .1 and .2 above from Cameras 4.0)	int8	[0] = frame guides style	–	–	0 = off, 1 = 2.4:1, 2 = 2.39:1, 3 = 2.35:1, 4 = 1.85:1, 5 = 16:9, 6 = 14:9, 7 = 4:3, 8 = 2:1, 9 = 4:5, 10 = 1:1
				[1] = frame guide opacity	0	100	0 = transparent, 100 = opaque
				[2] = safe area percentage	0	100	percentage of full frame used by safe area guide (0 means off)
				[3] = grid style	–	–	bit flags: [0] = display thirds, [1] = display cross hairs, [2] = display center dot, [3] = display horizon
Display	4.0	Brightness	fixed16	–	0.0	1.0	0.0 = minimum, 1.0 = maximum
	4.1	Exposure and focus tools	int16 bit field	0x1 = zebra, 0x2 = focus assist, 0x4 = false color	–	–	0 = disable, 1 = enable
	4.2	Zebra level	fixed16	–	0.0	1.0	0.0 = minimum, 1.0 = maximum
	4.3	Peaking level	fixed16	–	0.0	1.0	0.0 = minimum, 1.0 = maximum
	4.4	Color bar enable	int8	–	0	30	0 = disable bars, 1-30 = enable bars with timeout (seconds)
	4.5	Focus Assist	int8	[0] = focus assist method	–	–	0 = Peak, 1 = Colored lines
				[1] = focus line color	–	–	0 = Red, 1 = Green, 2 = Blue, 3 = White, 4 = Black
4.6	Program return feed enable	int8	–	0	30	0 = disable, 1-30 = enable with timeout (seconds)	

Group	ID	Parameter	Type	Index	Minimum	Maximum	Interpretation
Tally	5.0	Tally brightness	fixed16	–	0.0	1.0	Sets the tally front and tally rear brightness to the same level. 0.0 = minimum, 1.0 = maximum
	5.1	Front tally brightness	fixed16	–	0.0	1.0	Sets the tally front brightness. 0.0 = minimum, 1.0 = maximum
	5.2	Rear tally brightness	fixed16	–	0.0	1.0	Sets the tally rear brightness. 0.0 = minimum, 1.0 = maximum Tally rear brightness cannot be turned off
Reference	6.0	Source	int8 enum	–	0	2	0 = internal, 1 = program, 2 = external
	6.1	Offset	int32	–	–	–	+/- offset in pixels
Confi- guration	7.0	Real Time Clock	int32	[0] time	–	–	BCD - HHMMSSFF (UCT)
				[1] date	–	–	BCD - YYYYMMDD
	7.1	System language	string	[0-1]	–	–	ISO-639-1 two character language code
	7.2	Timezone	int32	–	–	–	Minutes offset from UTC
	7.3	Location	int64	[0] latitude	–	–	BCD - s0DDddddddddddd where s is the sign: 0 = north (+), 1 = south (-); DD degrees, ddddddddddd decimal degrees
[1] longitude				–	–	BCD - sDDDddddddddddd where s is the sign: 0 = west (-), 1 = east (+); DDD degrees, ddddddddddd decimal degrees	
Color Correction	8.0	Lift Adjust	fixed16	[0] red	-2.0	2.0	default 0.0
				[1] green	-2.0	2.0	default 0.0
				[2] blue	-2.0	2.0	default 0.0
				[3] luma	-2.0	2.0	default 0.0
	8.1	Gamma Adjust	fixed16	[0] red	-4.0	4.0	default 0.0
				[1] green	-4.0	4.0	default 0.0
				[2] blue	-4.0	4.0	default 0.0
				[3] luma	-4.0	4.0	default 0.0
	8.2	Gain Adjust	fixed16	[0] red	0.0	16.0	default 1.0
				[1] green	0.0	16.0	default 1.0
				[2] blue	0.0	16.0	default 1.0
				[3] luma	0.0	16.0	default 1.0
	8.3	Offset Adjust	fixed16	[0] red	-8.0	8.0	default 0.0
				[1] green	-8.0	8.0	default 0.0
				[2] blue	-8.0	8.0	default 0.0
[3] luma				-8.0	8.0	default 0.0	
8.4	Contrast Adjust	fixed16	[0] pivot	0.0	1.0	default 0.5	
			[1] adj	0.0	2.0	default 1.0	
8.5	Luma mix	fixed16	–	0.0	1.0	default 1.0	
8.6	Color Adjust	fixed16	[0] hue	-1.0	1.0	default 0.0	
			[1] sat	0.0	2.0	default 1.0	
8.7	Correction Reset Default	void	–	–	–	reset to defaults	

Group	ID	Parameter	Type	Index	Minimum	Maximum	Interpretation
Media	10.0	Codec	int8 enum	[0] = basic codec	-	-	0 = CinemaDNG, 1 = DNxHD, 2 = ProRes, 3 = Blackmagic RAW
				[1] = code variant	-	-	CinemaDNG: 0 = uncompressed, 1 = lossy 3:1, 2 = lossy 4:1
					-	-	ProRes: 0 = HQ, 1 = 422, 2 = LT, 3 = Proxy, 4 = 444, 5 = 444XQ
					-	-	Blackmagic RAW: 0 = Q0, 1 = Q5, 2 = 3:1, 3 = 5:1, 4 = 8:1, 5 = 12:1
	10.1	Transport mode	int8	[0] = mode	-	-	0 = Preview, 1 = Play, 2 = Record
				[1] = speed	-	-	-ve = multiple speeds backwards, 0 = pause, +ve = multiple speeds forwards
				[2] = flags	-	-	1<<0 = loop, 1<<1 = play all, 1<<5 = disk1 active, 1<<6 = disk2 active, 1<<7 = time-lapse recording
				[3] = slot 1 storage medium	-	-	0 = CFast card, 1 = SD, 2 = SSD Recorder
				[4] = slot 2 storage medium	-	-	0 = CFast card, 1 = SD, 2 = SSD Recorder
	10.2	Playback Control	int8 enum	[0] = clip	-	-	0 = Previous, 1 = Next
PTZ Control	11.0	Pan/Tilt Velocity	fixed 16	[0] = pan velocity	-1.0	1.0	-1.0 = full speed left, 1.0 = full speed right
				[1] = tilt velocity	-1.0	1.0	-1.0 = full speed down, 1.0 = full speed up
	11.1	Memory Preset	int8 enum	[0] = preset command	-	-	0 = reset, 1 = store location, 2 = recall location
			int8	[1] = preset slot	0	5	-

Example Protocol Packets

Operation	Packet Length	Byte															
		0	1	2	3	4	5	6	7	8	9	10	11	12	13	14	15
		header			command					data							
		destination	length	command	reserved	category	parameter	type	operation								
trigger instantaneous auto focus on camera 4	8	4	4	0	0	0	1	0	0								
turn on OIS on all cameras	12	255	5	0	0	0	6	0	0	1	0	0	0				
set exposure to 10 ms on camera 4 (10 ms = 10000 us = 0x00002710)	12	4	8	0	0	1	5	3	0	0x10	0x27	0x00	0x00				
add 15% to zebra level (15 % = 0.15 f = 0x0133 fp)	12	4	6	0	0	4	2	128	1	0x33	0x01	0	0				
select 1080p 23.98 mode on all cameras	16	255	9	0	0	1	0	1	0	24	1	3	0	0	0	0	
subtract 0.3 from gamma adjust for green & blue (-0.3 ~ = 0xfd9a fp)	16	4	12	0	0	8	1	128	1	0	0	0x9a	0xfd	0x9a	0xfd	0	0
all operations combined	76	4	4	0	0	0	1	0	0	255	5	0	0	0	6	0	0
		1	0	0	0	4	8	0	0	1	5	3	0	0x10	0x27	0x00	0x00
		4	6	0	0	4	2	128	1	0x33	0x01	0	0	255	9	0	0
		1	0	1	0	24	1	3	0	0	0	0	0	4	12	0	0
		8	1	128	1	0	0	0x9a	0xfd	0x9a	0xfd	0	0				